



AMP | Sealed Sensor Connector SSC System

TE Internal #: 184095-2

Receptacle Terminal, 22 – 17 AWG, .3 – 1 mm² Wire, 1.8 mm [.071 in] Tab Width, Tin (Sn), Sealable, Sealed Sensor Connector SSC System

[View on TE.com >](#)

Terminals & Splices > Automotive Terminals



Terminal Type: **Receptacle**

Wire Size: **22 – 17 AWG**

Mating Tab Width: **1.8 mm [.071 in]**

Interface Plating: **Tin (Sn)**

Features

Product Type Features

Receptacle Style	180°
Sealable	Yes

Body Features

Terminal Seal Type	Single Wire Seal (SWS)
--------------------	------------------------

Contact Features

Typical Current Rating	12 A
Crimp Type	F-Crimp
Contact Size	1.8mm
Contact Fabrication	Stamped & Formed
Wire Contact Termination Area Plating Material	Tin
Terminal Type	Receptacle
Mating Tab Width	1.8 mm[.071 in]
Interface Plating	Tin (Sn)

Termination Features

Termination Method to Wire & Cable	Crimp
Product Terminates To	Wire

Dimensions

Compatible Insulation Diameter Range	1.2 – 2.1 mm [.047 – .082 in]
Wire Size	22 – 17 AWG



Wire Size Search	.3 mm ² , .4 mm ² , .5 mm ² , .6 mm ² , .8 mm ² , 1 mm ²
------------------	--

Usage Conditions

Insulation Option	Uninsulated
Operating Temperature (Max)	125 °C[212 °F]
Operating Temperature Range	-40 – 125 °C[-40 – 257 °F]

Operation/Application

Compatible With Wire Base Material	Copper
------------------------------------	--------

Industry Standards

Compatible With Agency/Standards Products	SAE/USCAR-2
---	-------------

Packaging Features

Packaging Method	Package
Packaging Quantity	6000

Other

Terminal Transmits	0 – 24 A (Low Power)
--------------------	----------------------

Product Compliance

[For compliance documentation, visit the product page on TE.com>](#)

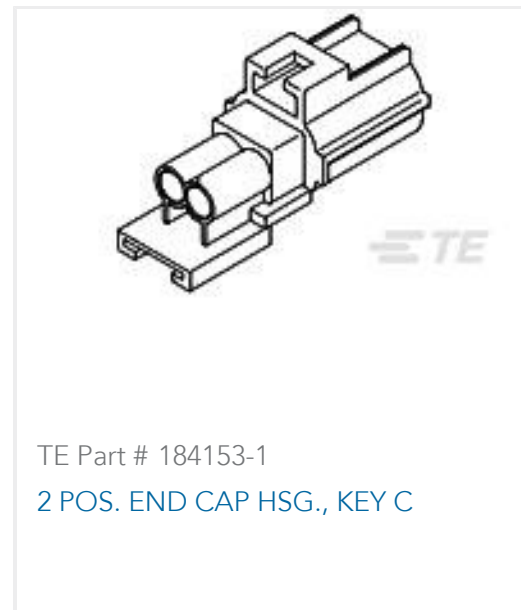
EU RoHS Directive 2011/65/EU	Compliant
EU ELV Directive 2000/53/EC	Compliant
China RoHS 2 Directive MIIT Order No 32, 2016	No Restricted Materials Above Threshold
EU REACH Regulation (EC) No. 1907/2006	Current ECHA Candidate List: JUNE 2024 (241) Candidate List Declared Against: JUNE 2024 (241) Does not contain REACH SVHC
Halogen Content	Low Halogen - Br, Cl, F, I < 900 ppm per homogenous material. Also BFR/CFR/PVC Free
Solder Process Capability	Not reviewed for solder process capability

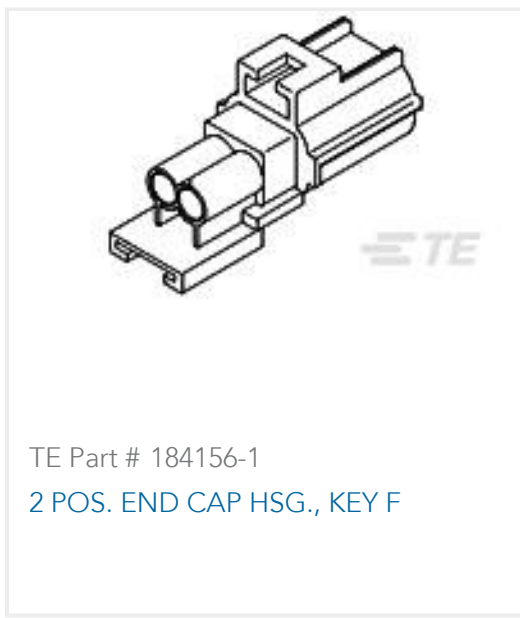
Product Compliance Disclaimer

This information is provided based on reasonable inquiry of our suppliers and represents our current actual knowledge based on the information they provided. This information is subject to change. The part numbers that TE has identified as EU RoHS compliant have a maximum concentration of 0.1% by weight in homogenous materials for lead, hexavalent chromium, mercury, PBB, PBDE, DBP, BBP, DEHP, DIBP, and 0.01% for cadmium, or qualify for an exemption to these limits as defined in the Annexes of Directive 2011/65/EU (RoHS2). Finished electrical and electronic equipment products will be CE marked as required by Directive 2011/65/EU. Components may not be CE marked. Additionally, the part

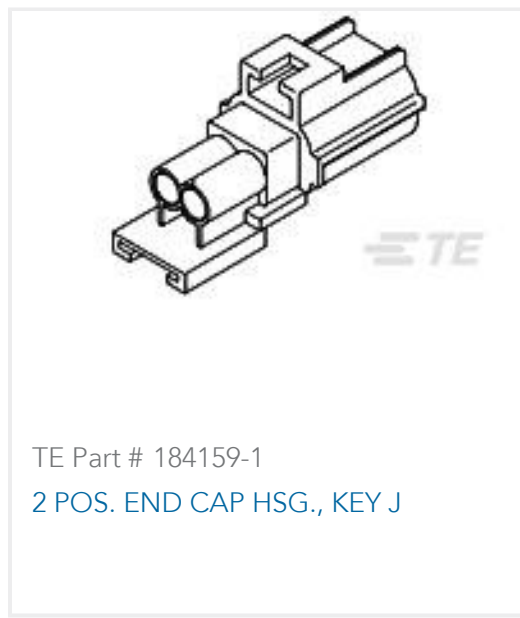
numbers that TE has identified as EU ELV compliant have a maximum concentration of 0.1% by weight in homogenous materials for lead, hexavalent chromium, and mercury, and 0.01% for cadmium, or qualify for an exemption to these limits as defined in the Annexes of Directive 2000/53/EC (ELV). Regarding the REACH Regulation, the information TE provides on SVHC in articles for this part number is based on the latest European Chemicals Agency (ECHA) 'Guidance on requirements for substances in articles' posted at this URL: <https://echa.europa.eu/guidance-documents/guidance-on-reach>

Compatible Parts

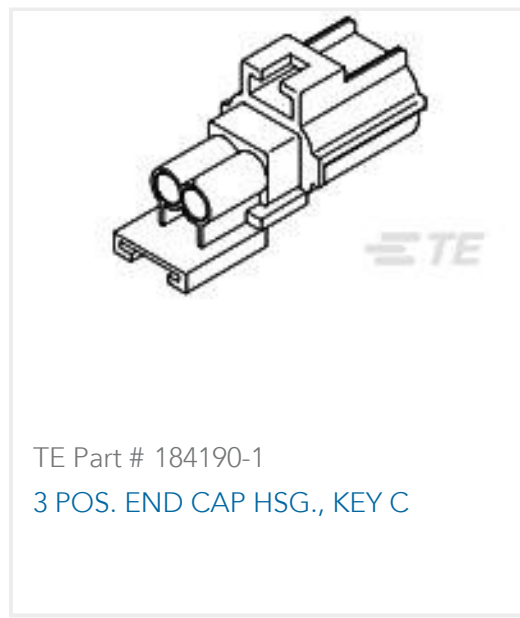




TE Part # 184156-1
2 POS. END CAP HSG., KEY F



TE Part # 184159-1
2 POS. END CAP HSG., KEY J

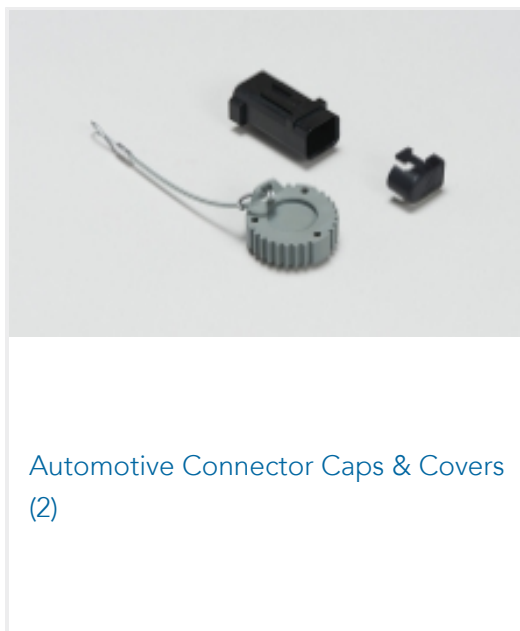


TE Part # 184190-1
3 POS. END CAP HSG., KEY C



TE Part # 184018-1
2 POS. PLUG ASSY, KEY K, BLACK

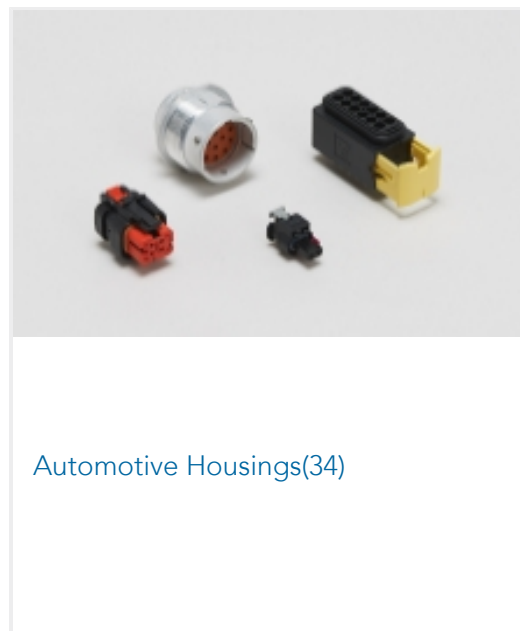
Also in the Series | Sealed Sensor Connector SSC System



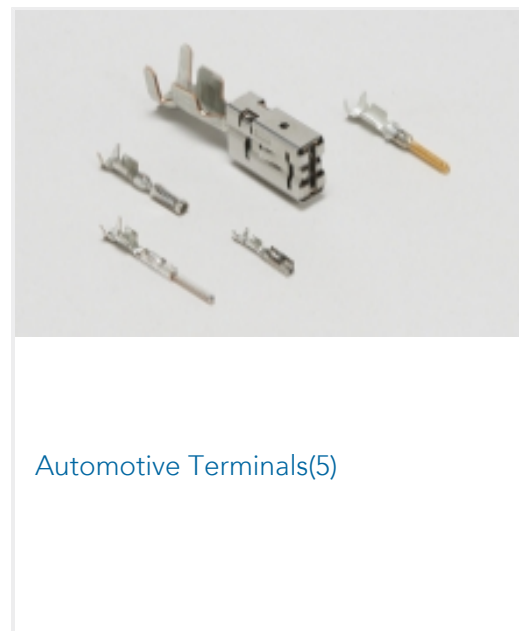
Automotive Connector Caps & Covers (2)



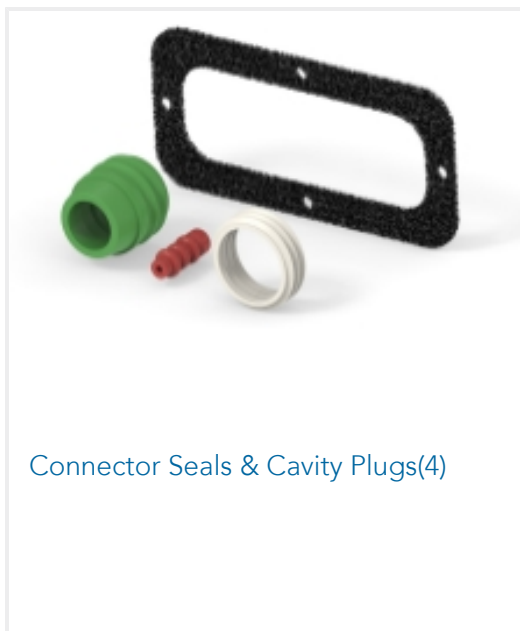
Automotive Connector Locks & Position Assurance(2)



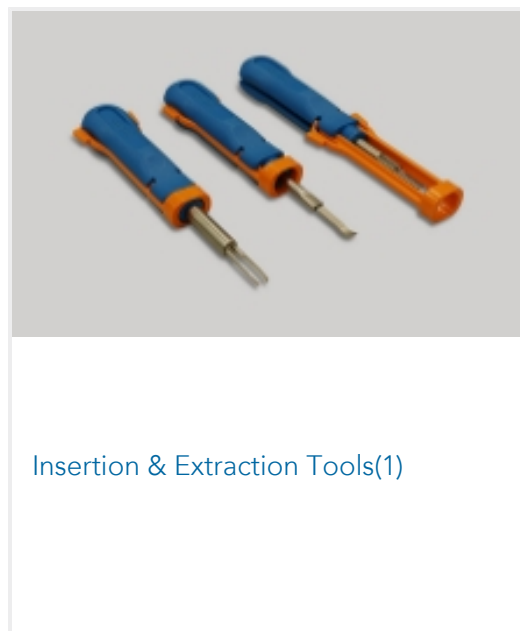
Automotive Housings(34)



Automotive Terminals(5)



Connector Seals & Cavity Plugs(4)



Insertion & Extraction Tools(1)

Customers Also Bought



TE Part #1924782-3
GET FEM TERM 1.2MM, TS, AG 1MMSQ



TE Part #2337306-1
2X2 PLG ASY KEY G C3 W/CPA



TE Part #184046-1
4 POS. PLUG ASSY, KEY A



TE Part #184344-1
2X2 PLG ASY KEY A C3



TE Part #5-2138685-5
27pos MQS .63 header 180deg



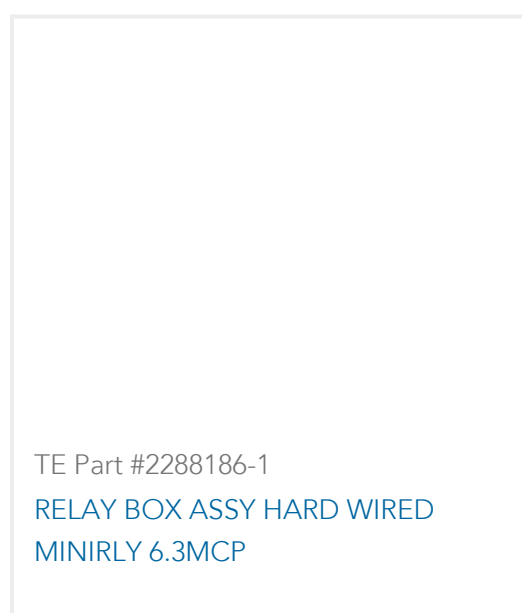
TE Part #2209441-2
2W SPLASH PROOF CONN. W.S.L. JPT



TE Part #2141969-1
COVER, WITH LEVER, ASSY



TE Part #2-1564559-1
4POS, MCON 1.2 LL TAB SEALED COD B



Documents

CAD Files

Customer View Model

[ENG_CVM_184095-2_C2.3d_igs.zip](#)

English

Customer View Model

[ENG_CVM_184095-2_C2.3d_stp.zip](#)

English

Customer View Model

[ENG_CVM_184095-2_C2.2d_dxf.zip](#)

English

3D PDF

English

By downloading the CAD file I accept and agree to the [Terms and Conditions](#) of use.

Product Specifications

Application Specification

English