


**MOTOROLA**

MC68HC901

Multi-Function Peripheral User's Manual

Motorola reserves the right to make changes without further notice to any products herein. Motorola makes no warranty, representation or guarantee regarding the suitability of its products for any particular purpose, nor does Motorola assume any liability arising out of the application or use of any product or circuit, and specifically disclaims any and all liability, including without limitation consequential or incidental damages. "Typical" parameters can and do vary in different applications. All operating parameters, including "Typicals" must be validated for each customer application by customer's technical experts. Motorola does not convey any license under its patent rights nor the rights of others. Motorola products are not designed, intended, or authorized for use as components in systems intended for surgical implant into the body, or other applications intended to support or sustain life, or for any other application in which the failure of the Motorola product could create a situation where personal injury or death may occur. Should Buyer purchase or use Motorola products for any such unintended or unauthorized application, Buyer shall indemnify and hold Motorola and its officers, employees, subsidiaries, affiliates, and distributors harmless against all claims, costs, damages, and expenses, and reasonable attorney fees arising out of, directly or indirectly, any claim of personal injury or death associated with such unintended or unauthorized use, even if such claim alleges that Motorola was negligent regarding the design or manufacture of the part. Motorola and  are registered trademarks of Motorola, Inc. Motorola, Inc. is an Equal Opportunity/Affirmative Action Employer.



Trademarks:

Motorola® and the Motorola symbol are registered trademark(s) of Motorola, Inc.



68K FAX-IT

Documentation Comments

FAX 512-891-8593—Documentation Comments Only

The Motorola High-Performance Embedded Systems Technical Communications Department provides a fax number for you to submit any questions or comments about this document or how to order other documents. We welcome your suggestions for improving our documentation. Please do not fax technical questions.

Please provide the part number and revision number (located in upper right-hand corner of the cover) and the title of the document. When referring to items in the manual, please reference by the page number, paragraph number, figure number, table number, and line number if needed.

When sending a fax, please provide your name, company, fax number, and phone number including area code.

For Internet Access:

Telnet: pirs.aus.sps.mot.com (Login: pirs)
WWW: <http://pirs.aus.sps.mot.com/aesop/hmpg.html>
Query By Email: aesop_query@pirs.aus.sps.mot.com
(Type "HELP" in text body.)

For Dial-Up:

Phone: +1-512-891-3650
Phone (US or Canada): 1-800-843-3451
Connection Settings: N/8/1/F
Data Rate: < 14,400 bps
Terminal Emulation: VT100
Login: pirs

For AESOP Questions:

FAX: +1-512-891-8775
EMAIL: aesop_sysop@pirs.aus.sps.mot.com

For Hotline Questions:

FAX (US or Canada): 1-800-248-8567
EMAIL: aesop_support@pirs.aus.sps.mot.com



Applications and Technical Information

For questions or comments pertaining to technical information, questions, and applications, please contact one of the following sales offices nearest you.

— Sales Offices —

Field Applications Engineering Available Through All Sales Offices

UNITED STATES

ALABAMA, Huntsville (205) 464-6800
 ARIZONA, Tempe (602) 897-5056
 CALIFORNIA, Agoura Hills (818) 706-1929
 CALIFORNIA, Los Angeles (310) 417-8848
 CALIFORNIA, Irvine (714) 753-7360
 CALIFORNIA, Roseville (916) 922-7152
 CALIFORNIA, San Diego (619) 541-2163
 CALIFORNIA, Sunnyvale (408) 749-0510
 COLORADO, Colorado Springs (719) 599-7497
 COLORADO, Denver (303) 337-3434
 CONNECTICUT, Wallingford (203) 949-4100
 FLORIDA, Maitland (407) 628-2636
 FLORIDA, Pompano Beach/
 Fort Lauderdale (305) 486-9776
 FLORIDA, Clearwater (813) 538-7750
 GEORGIA, Atlanta (404) 729-7100
 IDAHO, Boise (208) 323-9413
 ILLINOIS, Chicago/Hoffman Estates (708) 490-9500
 INDIANA, Fort Wayne (219) 436-5818
 INDIANA, Indianapolis (317) 571-0400
 INDIANA, Kokomo (317) 457-6634
 IOWA, Cedar Rapids (319) 373-1328
 KANSAS, Kansas City/Mission (913) 451-8555
 MARYLAND, Columbia (410) 381-1570
 MASSACHUSETTS, Marlborough (508) 481-8100
 MASSACHUSETTS, Woburn (617) 932-9700
 MICHIGAN, Detroit (313) 347-6800
 MINNESOTA, Minnetonka (612) 932-1500
 MISSOURI, St. Louis (314) 275-7380
 NEW JERSEY, Fairfield (201) 808-2400
 NEW YORK, Fairport (716) 425-4000
 NEW YORK, Hauppauge (516) 361-7000
 NEW YORK, Poughkeepsie/Fishkill (914) 473-8102
 NORTH CAROLINA, Raleigh (919) 870-4355
 OHIO, Cleveland (216) 349-3100
 OHIO, Columbus/Worthington (614) 431-8492
 OHIO, Dayton (513) 495-6800
 OKLAHOMA, Tulsa (800) 544-9496
 OREGON, Portland (503) 641-3681
 PENNSYLVANIA, Colmar (215) 997-1020
 Philadelphia/Horsham (215) 957-4100
 TENNESSEE, Knoxville (615) 584-4841
 TEXAS, Austin (512) 873-2000
 TEXAS, Houston (800) 343-2692
 TEXAS, Plano (214) 516-5100
 VIRGINIA, Richmond (804) 285-2100
 WASHINGTON, Bellevue (206) 454-4160
 Seattle Access (206) 622-9960
 WISCONSIN, Milwaukee/Brookfield (414) 792-0122

CANADA

BRITISH COLUMBIA, Vancouver (604) 293-7605
 ONTARIO, Toronto (416) 497-8181
 ONTARIO, Ottawa (613) 226-3491
 QUEBEC, Montreal (514) 731-6881

INTERNATIONAL

AUSTRALIA, Melbourne (61-3)887-0711
 AUSTRALIA, Sydney (61-2)906-3855
 BRAZIL, Sao Paulo 55(11)815-4200
 CHINA, Beijing 86 505-2180
 FINLAND, Helsinki 358-0-35161191
 Car Phone 358(49)211501
 FRANCE, Paris/Vanves 33(1)40 955 900

GERMANY, Langenhagen/ Hanover 49(511)789911
 GERMANY, Munich 49 89 92103-0
 GERMANY, Nuremberg 49 911 64-3044
 GERMANY, Sindelfingen 49 7031 69 910
 GERMANY, Wiesbaden 49 611 761921
 HONG KONG, Kwai Fong 852-4808333
 Tai Po 852-6668333
 INDIA, Bangalore (91-812)627094
 ISRAEL, Tel Aviv 972(3)753-8222
 ITALY, Milan 39(2)82201
 JAPAN, Aizu 81(241)272231
 JAPAN, Atsugi 81(0462)23-0761
 JAPAN, Kumagaya 81(0485)26-2600
 JAPAN, Kyushu 81(092)771-4212
 JAPAN, Mito 81(0292)26-2340
 JAPAN, Nagoya 81(052)232-1621
 JAPAN, Osaka 81(06)305-1801
 JAPAN, Sendai 81(22)268-4333
 JAPAN, Tachikawa 81(0425)23-6700
 JAPAN, Tokyo 81(03)3440-3311
 JAPAN, Yokohama 81(045)472-2751
 KOREA, Pusan 82(51)4635-035
 KOREA, Seoul 82(2)554-5188
 MALAYSIA, Penang 60(4)374514
 MEXICO, Mexico City 52(5)282-2864
 MEXICO, Guadalajara 52(36)21-8977
 Marketing 52(36)21-9023
 Customer Service 52(36)669-9160
 NETHERLANDS, Best (31)49988 612 11
 PUERTO RICO, San Juan (809)793-2170
 SINGAPORE (65)2945438
 SPAIN, Madrid 34(1)457-8204
 or 34(1)457-8254
 SWEDEN, Solna 46(8)734-8800
 SWITZERLAND, Geneva 41(22)7991111
 SWITZERLAND, Zurich 41(1)730 4074
 TAIWAN, Taipei 886(2)717-7089
 THAILAND, Bangkok (66-2)254-4910
 UNITED KINGDOM, Aylesbury 44(296)395-252

FULL LINE REPRESENTATIVES

COLORADO, Grand Junction
 Cheryl Lee Whltely (303) 243-9658
 KANSAS, Wichita
 Melinda Shores/Kelly Greiving (316) 838 0190
 NEVADA, Reno
 Galena Technology Group (702) 746 0642
 NEW MEXICO, Albuquerque
 S&S Technologies, Inc. (505) 298-7177
 UTAH, Salt Lake City
 Utah Component Sales, Inc. (801) 561-5099
 WASHINGTON, Spokane
 Doug Kenley (509) 924-2322
 ARGENTINA, Buenos Aires
 Argonics, S.A. (541) 343-1787

HYBRID COMPONENTS RESELLERS

Elmo Semiconductor (818) 768-7400
 Minco Technology Labs Inc. (512) 834-2022
 Semi Dice Inc. (310) 594-4631



PREFACE

The complete documentation package for the MC68HC901 consists of the MC68HC901UM/AD and the *M68000 Family Programmer's Reference Manual*, which contains the complete instruction set for the M68000 Family.

The *MC68HC901 Multi-Function Peripheral User's Manual* describes the programming, capabilities, registers, and operation of the MC68HC901. This device is the HCMOS version of the older MC68901 device and provides enhanced performance in several areas. The MC68HC901 provides a full-function single-channel USART, an eight-source interrupt controller, four 8-bit timers, and eight parallel I/O lines.

The organization of this manual is as follows:

Section 1	Introduction
Section 2	Signal Description
Section 3	Bus Operation
Section 4	Interrupt Structure
Section 5	General Purpose Input/Output Port
Section 6	Timers
Section 7	Universal Synchronous/Asynchronous Receiver-Transmitter
Section 8	Electrical Characteristics
Section 9	Mechanical Data and Ordering Information



TABLE OF CONTENTS

Paragraph Number	Title	Page Number
Section 1		
Introduction		
1.1	Key Features	1-2
1.2	Register Programming	1-2
Section 2		
Signal Description		
2.1	Power Supply (V_{CC} and GND)	2-1
2.2	Clock (CLK)	2-2
2.3	Data Bus (D7–D0)	2-2
2.4	Asynchronous Bus Control	2-2
2.4.1	Chip Select (\overline{CS})	2-2
2.4.2	Data Strobe (\overline{DS})	2-2
2.4.3	Read/Write (R/ \overline{W})	2-2
2.4.4	Data Transfer Acknowledge (\overline{DTACK})	2-2
2.5	Register Select Bus (RS1–RS5)	2-2
2.6	Reset (\overline{RESET})	2-2
2.7	Interrupt Control	2-3
2.7.1	Interrupt Request (\overline{IRQ})	2-3
2.7.2	Interrupt Acknowledge (\overline{IACK})	2-3
2.7.3	Interrupt Enable In (\overline{IEI})	2-3
2.7.4	Interrupt Enable Out (\overline{IEO})	2-3
2.8	General Purpose I/O Interrupt Lines (I7–I0)	2-3
2.9	Timer Control	2-4
2.9.1	Timer Inputs (TAI and TBI)	2-4
2.9.2	Timer Outputs (TAO, TBO, TCO, and TDO)	2-4
2.9.3	Timer Clock (XTAL1 and XTAL2)	2-4
2.10	Serial I/O Control	2-4
2.10.1	Serial Input (SI)	2-4
2.10.2	Serial Output (SO)	2-5
2.10.3	Receiver Clock (RC)	2-5
2.10.4	Transmitter Clock (TC)	2-5
2.11	Direct Memory Access Control	2-5
2.11.1	Receiver Ready (\overline{RR})	2-5
2.11.2	Transmitter Ready (\overline{TR})	2-5
2.12	Signal Summary	2-5

TABLE OF CONTENTS (Continued)

Paragraph Number	Title	Page Number
Section 3		
Bus Operation		
3.1	Data Transfer Operations	3-1
3.1.1	Read Cycle	3-1
3.1.2	Write Cycle	3-2
3.2	Interrupt Acknowledge Operation	3-2
3.3	Reset Operation	3-3
Section 4		
Interrupt Structure		
4.1	Interrupt Processing	4-1
4.1.1	Interrupt Channel Prioritization	4-1
4.1.2	Interrupt Vector Number	4-1
4.1.3	Vector Register (VR)	4-2
4.2	Daisy-Chaining MFPs	4-3
4.3	Interrupt Control Registers	4-4
4.3.1	Interrupt Enable Registers (IERA, IERB)	4-4
4.3.2	Interrupt Pending Registers (IPRA, IPRB)	4-6
4.3.3	Interrupt Mask Registers (IMRA, IMRB)	4-8
4.3.4	Interrupt In-Service Registers (ISRA, ISRB)	4-10
4.4	Nesting MFP Interrupts	4-11
4.4.1	Selecting the End-Of-Interrupt Mode	4-11
4.4.2	Automatic End-Of-Interrupt Mode	4-12
4.4.3	Software End-Of-Interrupt Mode	4-12
Section 5		
General Purpose Input/Output Port		
5.1	GPIP Control Registers	5-1
5.1.1	General Purpose I/O Data Register (GPDR)	5-1
5.1.2	Active Edge Register (AER)	5-1
5.1.3	Data Direction Register (DDR)	5-2
Section 6		
Timers		
6.1	Operation Modes	6-1
6.1.1	Delay Mode Operation	6-1
6.1.2	Pulse Width Measurement Operation	6-2
6.1.3	Event Count Mode Operation	6-3
6.2	Timer Registers	6-4



TABLE OF CONTENTS (Continued)

Paragraph Number	Title	Page Number
6.2.1	Timer Data Registers (TxDR)	6-4
6.2.2	Timer Control Registers (TxCR)	6-4

Section 7

Universal Synchronous/Asynchronous Receiver-Transmitter

7.1	Character Protocols	7-1
7.1.1	Asynchronous Format	7-2
7.1.2	Synchronous Format	7-2
7.1.3	USART Control Register (UCR)	7-3
7.1.4	USART Data Register (UDR)	7-4
7.2	Receiver	7-4
7.2.1	Receiver Interrupt Channels	7-5
7.2.2	Receiver Status Register (RSR)	7-5
7.2.3	Special Receive Conditions	7-7
7.3	Transmitter	7-7
7.3.1	Transmitter Interrupt Channels	7-8
7.3.2	Transmitter Status Register (TSR)	7-8
7.4	DMA Operation	7-9

Section 8

Electrical Characteristics

8.1	Maximum Ratings	8-1
8.2	Thermal Characteristics	8-1
8.3	Power Considerations	8-2
8.4	DC Electrical Characteristics	8-3
8.5	Capacitance	8-3
8.6	Clock Timing	8-4
8.7	AC Electrical Characteristics	8-5
8.8	Timer AC Characteristics	8-7

Section 9

Mechanical Data and Ordering Information

9.1	Pin Assignments	9-1
9.2	Package Dimensions	9-2
9.3	Ordering Information	9-4

LIST OF ILLUSTRATIONS

Figure Number	Title	Page Number
1-1.	MFP Block Diagram	1-1
2-1.	Input and Output Signals	2-1
3-1.	Read Cycle Timing Diagram	3-2
3-2.	Write Cycle Timing Diagram	3-2
3-3.	$\overline{\text{ACK}}$ Cycle Timing Diagram	3-3
4-1.	Daisy-Chained Interrupt Structure	4-3
4-2.	Conceptual Circuits of an Interrupt Channel	4-9
6-1.	Conceptual Circuit of Interrupt Source Selection	6-2
8-1.	Clock Input Timing Diagram	8-4
8-2.	MFP External Oscillator Components	8-4
8-3.	Read Cycle Timing	8-8
8-4.	Write Cycle Timing	8-8
8-5.	Interrupt Acknowledge Cycle ($\overline{\text{IEI}}$ Low)	8-9
8-6.	Interrupt Acknowledge Cycle ($\overline{\text{IEI}}$ High)	8-10
8-7.	Interrupt Timing	8-10
8-8.	Port Timing	8-10
8-9.	Reset Timing	8-11
8-10.	Receiver Timing	8-11
8-11.	Transmitter Timing	8-11
8-12.	Timer Timing	8-12
9-1.	48-Pin Dual-In-Line Package (Plastic)	9-1
9-2.	52-Lead QUAD Package	9-2
9-3.	Case 767-02-P Suffix	9-2
9-4.	Case 778-02-FN Suffix	9-3



LIST OF TABLES

Table Number	Title	Page Number
1-1.	MFP Register Map	1-2
2-1.	Signal Summary	2-5

SECTION 1 INTRODUCTION

The MC68HC901 Multi-Function Peripheral (MFP) is a member of the M68000 Family of peripherals. Unless otherwise specified, the MC68HC901 multi-function peripheral is hereafter referred to as the MFP in this document. Many features of the MFP make reference to the MC68000 Family of 16- and 32-bit microprocessors, which includes the MC68HC000, MC68HC001, and the MC68EC000. These microprocessors are referred to as the MC68000 within this document.

The MFP directly interfaces to the MC68000 via the asynchronous bus structure. Both vectored and polled interrupt schemes are supported with the MFP providing unique vector number generation for each of its 16 interrupt sources. Additionally, handshake lines are provided to facilitate direct memory access controller (DMAC) interfacing. Refer to Figure 1-1 for a block diagram of the MFP.

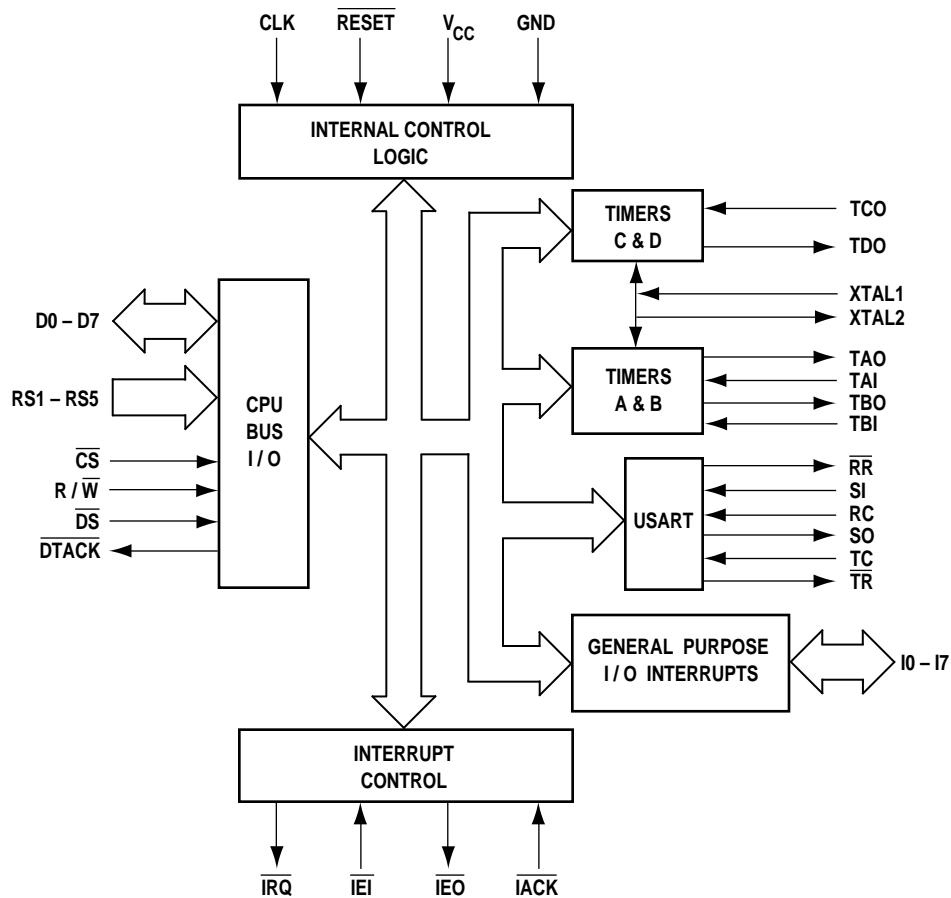


Figure 1-1. MFP Block Diagram

1.1 KEY FEATURES

The MFP performs many of the functions common to most microprocessor-based systems. The resources available to the user include:

- Eight individually programmable I/O pins with interrupt capability
- 16-source interrupt controller with individual source enable and masking
- Four timers, two of which are multi-mode timers
- Single-channel full-duplex universal synchronous/asynchronous receiver-transmitter (USART) which supports:
 - asynchronous formats
 - byte synchronous formats, with the addition of a polynomial generator checker

By incorporating multiple functions within the MFP, the system designer retains flexibility while minimizing device count.

1.2 REGISTER PROGRAMMING

From a programmer's point of view, the versatility of the MFP may be attributed to its register set. The registers are well organized and allow the MFP to be easily tailored to a variety of applications. All of the 24 registers are also directly addressable which simplifies programming. The register map is shown in Table 1-1.

Table 1-1. MFP Register Map

ADDRESS						ABBREVIATION	REGISTER NAME
HEX	BINARY						
	RS5	RS4	RS3	RS2	RS1		
01	0	0	0	0	0	GPDR	General Purpose I / O Data Register
03	0	0	0	0	1	AER	Active Edge Register
05	0	0	0	1	0	DDR	Data Direction Register
07	0	0	0	1	1	IERA	Interrupt Enable Register A
09	0	0	1	0	0	IERB	Interrupt Enable Register B
0B	0	0	1	0	1	IPRA	Interrupt Pending Register A
0D	0	0	1	1	0	IPRB	Interrupt Pending Register B
0F	0	0	1	1	1	ISRA	Interrupt In-service Register A
11	0	1	0	0	0	ISRB	Interrupt In-service Register B
13	0	1	0	0	1	IMRA	Interrupt Mask Register A
15	0	1	0	1	0	IMRB	Interrupt Mask Register B

Table 1-1. MFP Register Map (Continued)

ADDRESS						ABBREVIATION	REGISTER NAME
HEX	BINARY						
	RS5	RS4	RS3	RS2	RS1		
17	0	1	0	1	1	VR	Vector Register
19	0	1	1	0	0	TACR	Timer A Control Register
1B	0	1	1	0	1	TBCR	Timer B Control Register
1D	0	1	1	1	0	TCDCR	Timers C and D Control Register
1F	0	1	1	1	1	TADR	Timer A Data Register
21	1	0	0	0	0	TBDR	Timer B Data Register
23	1	0	0	0	1	TCDR	Timer C Data Register
25	1	0	0	1	0	TDCR	Timer D Data Register
27	1	0	0	1	1	SCR	Synchronous Character Register
29	1	0	1	0	0	UCR	USART Control Register
2B	1	0	1	0	1	RSR	Receiver Status Register
2D	1	0	1	1	0	TSR	Transmitter Status Register
2F	1	0	1	1	1	UDR	USART Data Register

NOTE: Hex addresses assume that RS1 connects with A1, RS2 connects with A2, etc., and that \overline{DS} is connected to \overline{LDS} on the MC68000 or \overline{DS} is connected to DS on the MC68008.

SECTION 2 SIGNAL DESCRIPTION

This section contains descriptions of the input and output signals. The input and output signals can be functionally organized into groups as shown in Figure 2-1. The following paragraphs provide a brief description of the signal and a reference (if applicable) to other sections that contain more detail about its function.

NOTE

Assertion and *negation* are used to specify forcing a signal to a particular state. *Assertion* and *assert* refer to a signal that is active or true. *Negation* and *negate* refer to a signal that is inactive or false. These terms are used independently of the voltage level (high or low) that they represent.

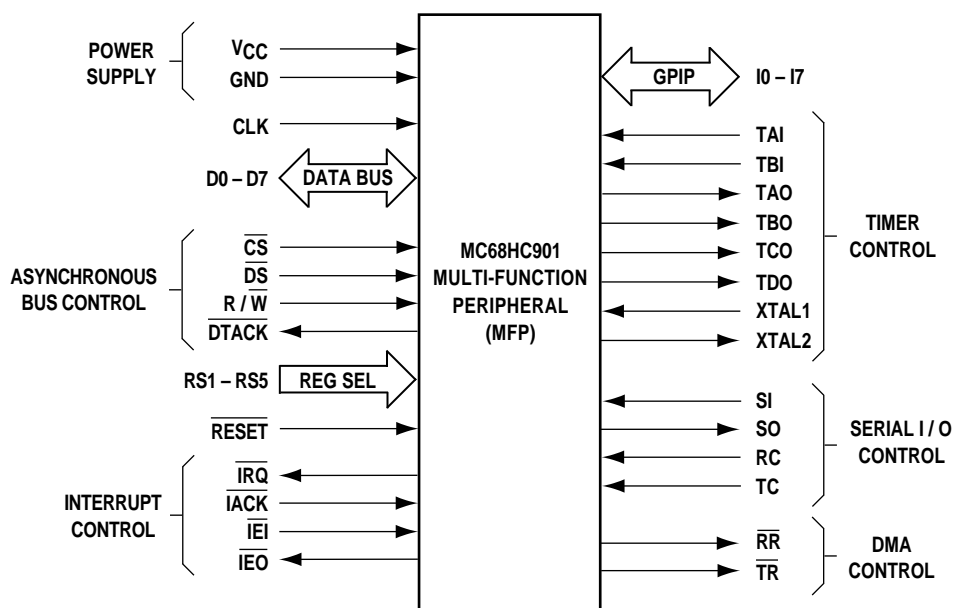


Figure 2-1. Input and Output Signals

2.1 POWER SUPPLY (V_{CC} and GND)

Power is supplied to the MFP using these connections. The V_{CC} pin is powered at +5 volts, and ground is connected to the GND pins.

2.2 CLOCK (CLK)

The clock input is a single-phase TTL-compatible signal used for internal timing. This input must conform to minimum pulse width times. The clock is not necessarily the system clock in frequency or phase.

2.3 DATA BUS (D7–D0)

This three-state bidirectional bus is used to transmit data to or receive data from the MFP internal registers during a processor read or write cycle, respectively. During an interrupt acknowledge cycle, the data bus is used to pass a vector number to the processor. The MFP must be located on data bus lines D7–D0 when used with either the MC68000 series of microprocessors and on data lines D31–D24 when used with the MC68020 microprocessor, if vectored interrupts are to be used.

2.4 ASYNCHRONOUS BUS CONTROL

Asynchronous data transfers are controlled by chip select, data strobe, read/write, and data transfer acknowledge. The register select lines, RS5–RS1, select an internal MFP register for a read or write operation. The reset line initializes the MFP registers and the internal control signals.

2.4.1 Chip Select (\overline{CS})

This active low input activates the MFP for internal register access. \overline{CS} and \overline{IACK} must not be asserted at the same time.

2.4.2 Data Strobe (\overline{DS})

This active low input is part of the internal chip select and interrupt acknowledge functions.

2.4.3 Read/Write (R/\overline{W})

This input defines the current bus cycle as a read (high) or a write (low) cycle.

2.4.4 Data Transfer Acknowledge (\overline{DTACK})

This active low, three-state output signals the completion of the operation phase of a bus cycle to the processor. If the bus cycle is a process read, the MFP asserts \overline{DTACK} to indicate that the information on the data bus is valid. If the bus cycle is a processor write to the MFP, \overline{DTACK} acknowledges the acceptance of the data by the MFP. \overline{DTACK} will be asserted only by a MFP that has \overline{CS} or \overline{IACK} (and \overline{IEI}) asserted.

2.5 REGISTER SELECT BUS (RS1–RS5)

The register select bus selects an internal MFP register during a read or write operation.

2.6 RESET (\overline{RESET})

This active low input will initialize the MFP during powerup or in response to a total system reset. Refer to **Section 3.3 Reset Operation** for further information.

2.7 INTERRUPT CONTROL

The interrupt request and interrupt acknowledge signals are handshake lines for a vectored interrupt scheme. Interrupt enable in and interrupt enable out implement a daisy-chained interrupt structure.

2.7.1 Interrupt Request ($\overline{\text{IRQ}}$)

This active low, open-drain output signals to the processor that an interrupt is pending from the MFP. There are 16 interrupt channels that can generate an interrupt request. Clearing the interrupt pending registers (IPRA and IPRB) or clearing the interrupt mask registers (IMRA and IMRB) will cause the $\overline{\text{IRQ}}$ to be negated. $\overline{\text{IRQ}}$ will also be negated as the result of an interrupt acknowledge cycle, unless additional interrupts are pending in the MFP. Refer to **Section 4 Interrupt Structure** for further information.

2.7.2 Interrupt Acknowledge ($\overline{\text{IACK}}$)

If both $\overline{\text{IRQ}}$ and $\overline{\text{IEI}}$ are asserted, the MFP will begin an interrupt acknowledge cycle when $\overline{\text{IACK}}$ and $\overline{\text{DS}}$ are asserted. The MFP will supply a unique vector number to the processor which corresponds to the particular channel requesting interrupt service. In a daisy-chained interrupt structure, all devices in the chain must have a common $\overline{\text{IACK}}$. Refer to **Section 3.2 Interrupt Acknowledge Operation** and **Section 4.1.2 Interrupt Vector Number** for additional information. $\overline{\text{CS}}$ and $\overline{\text{IACK}}$ must not be asserted at the same time.

2.7.3 Interrupt Enable In ($\overline{\text{IEI}}$)

This active low input, together with the $\overline{\text{IEO}}$ signal, provides a daisy-chained interrupt structure for a vectored interrupt scheme. $\overline{\text{IEI}}$ indicates that no higher priority device is requesting interrupt service. So, the highest priority MFP in the chain should have its $\overline{\text{IEI}}$ pin tied low. During an interrupt acknowledge cycle, a MFP with a pending interrupt is not allowed to pass a vector number to the processor until its $\overline{\text{IEI}}$ pin is asserted. When the daisy-chain option is not implemented, all MFPs should have their $\overline{\text{IEI}}$ pin tied low. Refer to **Section 4.2 Daisy-Chaining MFPs** for additional information.

2.7.4 Interrupt Enable Out ($\overline{\text{IEO}}$)

This active low output, together with the $\overline{\text{IEI}}$ signal, provides a daisy-chained interrupt structure for a vectored interrupt scheme. The $\overline{\text{IEO}}$ of a particular MFP signals lower priority devices that neither it nor any other higher priority device is requesting interrupt service. When a daisy-chain is implemented, $\overline{\text{IEO}}$ is tied to the next lower priority MFP $\overline{\text{IEI}}$ input. The lowest priority MFP is not connected. When the daisy-chain option is not implemented, $\overline{\text{IEO}}$ is not connected. Refer to **Section 4.2 Daisy-Chaining MFPs** for additional information.

2.8 GENERAL PURPOSE I/O INTERRUPT LINES (I7–I0)

These lines constitute an 8-bit pin-programmable I/O port with interrupt capability. The data direction register (DDR) individually defines each line as either a high-impedance input or a TTL-compatible output. As an input, each line can generate an interrupt on the user selected transition of the input signal. Refer to **Section 5 General Purpose Input/Output Port** for further information.

2.9 TIMER CONTROL

These lines provide internal timing and auxiliary timer control inputs required for certain operating modes. Additionally, the timer outputs are included in this group.

2.9.1 Timer Inputs (TAI and TBI)

These input lines are control signals for timers A and B in the pulse width measurement mode and the event count mode. These signals generate interrupts at the same priority level as the general purpose I/O interrupt lines I4 and I3, respectively, when in the pulse width measurement mode. While I4 and I3 do not have interrupt capability when timers A and B are operated in this mode, they may still be used for I/O. Refer to **Section 6.1.2 Pulse Width Measurement Mode Operation** and **Section 6.1.3 Event Count Mode Operation** for further information.

2.9.2 Timer Outputs (TAO, TBO, TCO, and TDO)

Each timer has an associated output which toggles when its main counter counts through 01 (hexadecimal) regardless of which operational mode is selected. When in the delay mode, the timer output will be a square wave with a period equal to two timer cycles. This output may be used to supply the universal synchronous/asynchronous receiver-transmitter (USART) baud rate clocks.

2.9.3 Timer Clock (XTAL1 and XTAL2)

These pins provide the timing signal for the four timers. A crystal can be connected between the timer clock pins, XTAL1 and XTAL2, or XTAL1 can be driven with a CMOS-level clock while XTAL2 is not connected. The following crystal parameters are suggested:

1. Parallel resonance, fundamental mode AT-cut, HC6 or HC33 holder
2. Frequency tolerance measured with 18 picofarads load (0.1% accuracy) – drive level 10 microwatts
3. Shunt capacitance equals 7 picofarads
4. Series resistance:
 - 2.0 < f < 2.7 MHz; $R_s \leq 300$ ohms
 - 2.8 < f < 4.0 MHz; $R_s \leq 150$ ohms

2.10 SERIAL I/O CONTROL

The full duplex serial channel is implemented by a serial input line. The independent receive and transmit sections may be clocked by separate timing signals on the receive clock input and the transmitter clock input.

2.10.1 Serial Input (SI)

This input line is the USART receiver data input. This input is not used in the USART loopback mode. Refer to **Section 7.3.2 Transmitter Status Register** for additional information.

2.10.2 Serial Output (SO)

This output line is the USART transmitter data output. This output is in a high-impedance state after a device reset.

2.10.3 Receiver Clock (RC)

This input controls the serial bit rate of the receiver. The signal may be supplied by the timer output lines or by an external TTL-level clock which meets the minimum and maximum cycle times. This clock is not used in the USART loopback mode. Refer to **Section 7.3.2 Transmitter Status Register** for additional information.

2.10.4 Transmitter Clock (TC)

This input controls the serial bit rate of the transmitter. This signal may be supplied by the timer output lines or by an external TTL-level clock which meets the minimum and maximum cycle times.

2.11 DIRECT MEMORY ACCESS CONTROL

The USART section of the MFP supports direct memory access transfers through its receiver ready and transmitter ready status lines.

2.11.1 Receiver Ready (\overline{RR})

This active low output reflects the receiver buffer full status (bit 7 in the Receiver Status Register) for DMA operations.

2.11.2 Transmitter Ready (\overline{TR})

This active low output reflects the transmitter buffer empty (bit 7 in the Transmitter Status Register) for DMA operations.

2.12 SIGNAL SUMMARY

The following table is a summary of all the signals discussed in the previous paragraphs.

Table 2-1. Signal Summary

SIGNAL NAME	MNEMONIC	INPUT/ OUTPUT	ACTIVE STATE	THREE- STATE	RESET STATE
Power Input	V_{CC}	Input	High	—	—
Ground	GND	Input	Low	—	—
Clock	CLK	Input	N / A		
Chip Select	\overline{CS}	Input	Low		
Data Strobe	\overline{DS}	Input	Low		
Read / Write	R / \overline{W}	Input	Read – High, Write – Low		

Table 2-1. Signal Summary (Continued)

SIGNAL NAME	MNEMONIC	INPUT/ OUTPUT	ACTIVE STATE	THREE- STATE	RESET STATE
Data Transfer Acknowledge	\overline{DTACK}	Output	Low	Yes	High
Register Select Bus	RS1 – RS5	Input	N / A		
Data Bus	D0 – D7	Input / Output	N / A	Yes	Hi-z
Reset	\overline{RESET}	Input	Low		
Interrupt Request	\overline{IRQ}	Output	Low	No*	High
Interrupt Acknowledge	\overline{IACK}	Input	Low		
Interrupt Enable In	\overline{IEI}	Input	Low		
Interrupt Enable Out	\overline{IEO}	Output	Low	No	High
General Purpose I / O	I0 – I7	Input / Output	N / A	Yes	Hi-Z
Timer Clock	XTAL1	Input	N / A		
	XTAL2	Output	N / A	No	
Timer Inputs	TAI, TBI	Input	N / A		
Timer Outputs	TAO, TBO, TCO, TDO	Output	N / A	No	Low
Serial Input	SI	Input	N / A		
Serial Output	SO	Output	N / A	Yes	Hi-Z
Receiver Clock	RC	Input	N / A		
Transmitter Clock	TC	Input	N / A		
Receiver Ready	\overline{RR}	Output	Low	No	High
Transmitter Ready	\overline{TR}	Output	Low	No	Low

* Open Drain

SECTION 3 BUS OPERATION

The following paragraphs describe control signals and the bus operation during data transfer, interrupt acknowledge, and reset operations.

3.1 DATA TRANSFER OPERATIONS

Transfer of data between devices involves the following pins:

- Register Select Bus – RS1 through RS5
- Data Bus – D0 through D7
- Control Signals

The address and data buses are separate parallel buses used to transfer data using an asynchronous bus structure. In all cases, the bus master assumes responsibility for deskewing all signals it issues at both the start and end of a cycle. Additionally, the bus master is responsible for deskewing the acknowledge and data signals from the peripheral devices.

3.1.1 Read Cycle

To read an MFP register, \overline{CS} and \overline{DS} must be asserted, and R/\overline{W} must be high. The MFP will place the contents of the register which is selected by the register select bus (RS1 through RS5) on the data bus (D0 through D7) and then assert \overline{DTACK} . The register addresses are shown in Table 1-1.

After the processor has latched the data, it negates \overline{DS} . The negation of either \overline{CS} or \overline{DS} will terminate the read operation. The MFP will drive \overline{DTACK} high and place it and the data bus in the high-impedance state. The timing for a read cycle is shown in Figure 3-1. Refer to **Section 8.7 AC Electrical Characteristics** for actual timing numbers.

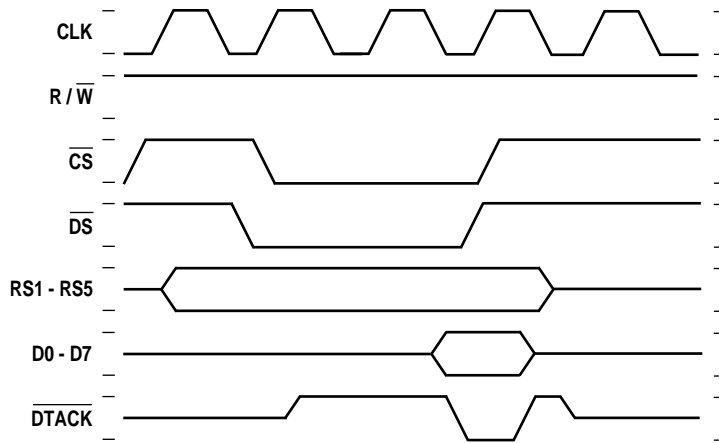


Figure 3-1. Read Cycle Timing Diagram

3.1.2 Write Cycle

To write a register, \overline{CS} and \overline{DS} must be asserted, and R/\overline{W} must be low. The MFP will decode the address bus to determine which register is selected. Then the register will be loaded with the contents of the data bus on the next valid falling edge of CLK, and \overline{DTACK} will be asserted. When the processor recognizes \overline{DTACK} , it will negate \overline{DS} . The write cycle is terminated when either \overline{CS} or \overline{DS} is negated. The MFP will drive \overline{DTACK} high and place it in the high-impedance state. The timing for a write cycle is shown in Figure 3-2. Refer to **Section 8.7 AC Electrical Characteristics** for actual timing numbers.

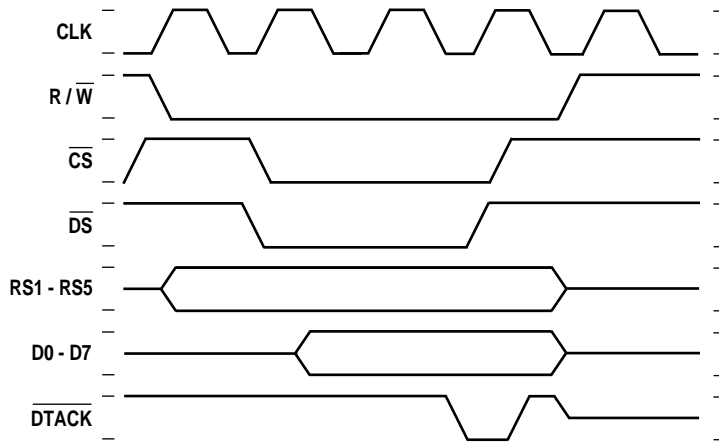


Figure 3-2. Write Cycle Timing Diagram

3.2 INTERRUPT ACKNOWLEDGE OPERATION

The MFP has 16 interrupt sources: eight internal and eight external. When an interrupt request is pending, the MFP will assert \overline{IRQ} . In a vectored interrupt scheme, the processor will acknowledge the interrupt request by performing an interrupt acknowledge cycle. \overline{IACK} and \overline{DS} will be asserted. The MFP responds to the \overline{IACK} signal by placing a vector number on the data bus. This vector number corresponds to the particular interrupt channel requesting service. The format of this vector number is further discussed in **Section 4.1.2 Interrupt Vector Number**.

When the MFP asserts \overline{DTACK} to indicate that valid data is on the bus, the processor will latch the data and terminate the bus cycle by negating \overline{DS} . When either \overline{DS} or \overline{IACK} is negated, the MFP will terminate the interrupt acknowledge operation by driving \overline{DTACK} high and placing it in the high-impedance state. \overline{IRQ} will be negated as a result of the \overline{IACK} cycle unless additional interrupts are pending.

The MFP can be part of a daisy-chain interrupt structure which allows multiple MFPs to be placed at the same interrupt level by sharing a common \overline{IACK} signal. A daisy-chain priority scheme is implemented with signals \overline{IEI} and \overline{IEO} . \overline{IEI} indicates that no higher priority device is requesting interrupt service. \overline{IEO} signals lower priority devices that neither this device nor any higher priority MFP is requesting service. To daisy-chain MFPs, the highest priority MFP has its \overline{IEI} tied low and successive MFPs have their \overline{IEI} connected to the next higher priority MFPs \overline{IEO} . When the daisy-chain interrupt structure is not implemented, the \overline{IEI} s of all MFPs must be tied low and the \overline{IEO} s left unconnected. Refer to **Section 4.2 Daisy-Chaining MFPs** for additional information.

When the processor initiates an interrupt acknowledge cycle by driving \overline{IACK} and \overline{DS} , the MFP, whose \overline{IEI} is low, may respond with a vector number if an interrupt is pending. If this device does not have a pending interrupt, \overline{IEO} is asserted which allows the next lower priority device to respond to the interrupt acknowledge. When an MFP propagates \overline{IEO} , it will not drive the data bus nor \overline{DTACK} during the interrupt acknowledge cycle. The timing for an \overline{IACK} cycle is shown in Figure 3-3. Refer to **Section 8.7 AC Electrical Characteristics** and Figures 7-7 and 7-8 for further information.

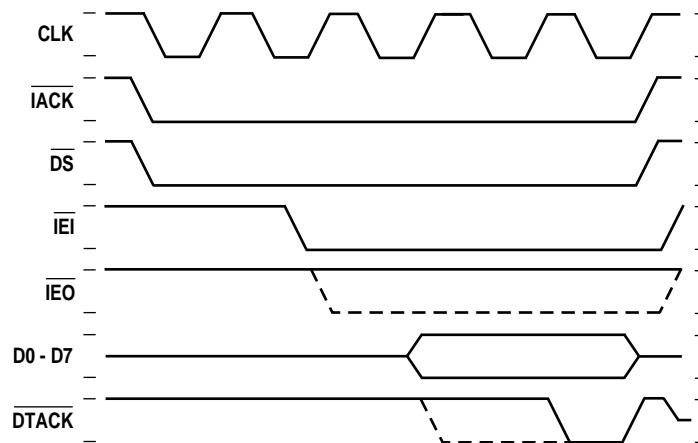


Figure 3-3. \overline{IACK} Cycle Timing Diagram

3.3 RESET OPERATION

The reset operation will initialize the MFP to a known state. The reset operation requires that the \overline{RESET} input be asserted for a minimum of two microseconds. During a device reset condition, all internal MFP registers are cleared except for the timer data registers (TADR, TBDR, TCDR, and TDDR), the USART data register (UDR), and the transmitter status register (TSR). All timers are stopped, the USART receiver and transmitter are disabled, and the serial output (SO) line is placed in high impedance. The interrupt channels are also disabled and any pending interrupts are cleared. In addition, the general purpose interrupt

I/O lines are placed in the high-impedance input mode, and the timer outputs are driven low. External MFP signals are negated. Since the vector register (VR) is initialized to a \$00, an uninitialized MFP may not respond to an interrupt acknowledge cycle with the uninitialized interrupt vector, \$0F. Refer to **Section 4.1.2 Interrupt Vector Number** for more information.

SECTION 4 INTERRUPT STRUCTURE

In an M68000 system, the MFP will be assigned to one of the seven possible interrupt levels. All interrupt service requests from the MFP 16 interrupt channels will be presented at this level. As an interrupt controller, the MFP will internally prioritize its 16 interrupt sources. Additional interrupt sources may be placed at the same interrupt level by daisy-chaining multiple MFPs. The MFPs will be prioritized by their position in the chain.

4.1 INTERRUPT PROCESSING

Each MFP provides individual interrupt capability for its various functions. When an interrupt is received on one of the external interrupt channels or from one of the eight internal sources, the MFP will request interrupt service. The 16 interrupt channels are assigned a fixed priority so that multiple pending interrupts are serviced according to their relative importance. Since the MFP can internally generate 16 vector numbers, the unique vector number which corresponds to the highest priority channel that has a pending interrupt is presented to the processor during an interrupt acknowledge cycle. This unique vector number allows the processor to immediately begin execution of the interrupt handler for the interrupting source, decreasing interrupt latency.

4.1.1 Interrupt Channel Prioritization

The 16 interrupt channels are prioritized from highest to lowest, with General Purpose Interrupt 7 (I7) being the highest and I0 the lowest. The priority of the interrupt is determined by the least-significant four bits in the interrupt vector number which are internally generated by the MFP. Pending interrupts are presented to the processor in order of priority unless they have been masked. By selectively masking interrupts, the channels are in effect re-prioritized.

4.1.2 Interrupt Vector Number

During an interrupt acknowledge cycle, a unique 8-bit interrupt vector number is presented to the system which corresponds to the specific interrupt source that is requesting service.

BIT	7	6	5	4	3	2	1	0
FIELD	V7	V6	V5	V4	IV3	IV2	IV1	IV0

V7-V4 — Vector

The four most significant bits are copied from the vector register.

IV3-IV0 — Interrupt Vector

These bits are supplied by the MFP. They are the binary channel number of the highest priority channel that is requesting interrupt service.

IV3	IV2	IV1	IV0	DESCRIPTION
1	1	1	1	General Purpose Interrupt 7 (I7)
1	1	1	0	General Purpose Interrupt 6 (I6)
1	1	0	1	Timer A
1	1	0	0	Receiver Buffer Full
1	0	1	1	Receive Error
1	0	1	0	Transmit Buffer Empty
1	0	0	1	Transmit Error
1	0	0	0	Timer B
0	1	1	1	General Purpose Interrupt 5 (I5)
0	1	1	0	General Purpose Interrupt 4(I4)
0	1	0	1	Timer C
0	1	0	0	Timer D
0	0	1	1	General Purpose Interrupt 3 (I3)
0	0	1	0	General Purpose Interrupt 2 (I2)
0	0	0	1	General Purpose Interrupt 1 (I1)
0	0	0	0	General Purpose Interrupt 0 (I0)

4.1.3 Vector Register (VR)

This 8-bit register determines the four most-significant bits in the interrupt vector format and which end-of-interrupt mode is used in a vectored interrupt scheme. The vector register should be written to before writing to the interrupt mask or enable registers to ensure that the MFP responds to an interrupt acknowledge cycle with a vector number not in the range of allowable user vectors. For information refer to **Section 4.4.1 Selecting the End-Of-Interrupt Mode**.

VR REGISTER

BIT	7	6	5	4	3	2	1	0
FIELD	V7	V6	V5	V4	S	*	*	*
RESET	0	0	0	0	0	0	0	0
ADDR	\$17							

V7-V4 — Vector

These upper four bits of the vector register are written by the user. These bits become the most-significant four bits of the interrupt vector number.

S — In-Service Register Enable

- 1 = Software end-of-interrupt mode and in-service register bits enabled.
- 0 = Automatic end-of-interrupt mode and in-service register bits forced low.

Bits 2-0 — *Unused

Unused bits read as zero.

4.2 DAISY-CHAINING MFPs

As an interrupt controller, the MFP will support eight external interrupt sources in addition to its eight internal interrupt sources. When a system requires more than eight external interrupt sources to be placed at the same interrupt level, sources may be added to the prioritized structure by daisy-chaining MFPs. Interrupt sources are prioritized internally within each MFP, and the MFPs are prioritized by their position in the chain. Unique vector numbers are provided for each interrupt source.

The \overline{IEI} and \overline{IEO} signals implement the daisy-chained structure. The \overline{IEI} of the highest priority MFP is tied low and the \overline{IEO} output of this device is tied to the next highest priority MFP \overline{IEI} . The \overline{IEI} and \overline{IEO} signals are daisy-chained in this manner for all the MFPs in the chain with the lowest priority MFP \overline{IEO} left unconnected. Figure 4-1 shows a diagram of the interrupt daisy-chain.

Daisy-chaining requires that all parts in the chain have a common \overline{IACK} . When the common \overline{IACK} is asserted during an interrupt acknowledge cycle, all parts will prioritize interrupts in parallel. When the \overline{IEI} signal to an MFP is asserted, the part may respond to the \overline{IACK} cycle if it requires interrupt service. Otherwise, the part will assert \overline{IEO} to the next lower priority device. Thus, priority is passed down the chain via \overline{IEI} and \overline{IEO} until a part which has a pending interrupt is reached. The part with the pending interrupt passes a vector number to the processor and does not propagate \overline{IEO} .

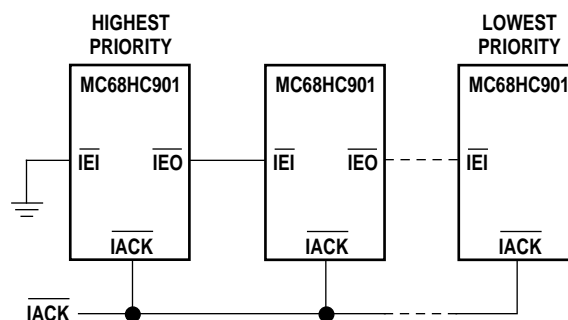


Figure 4-1. Daisy-Chained Interrupt Structure

4.3 INTERRUPT CONTROL REGISTERS

MFP interrupt processing is managed by the enable registers A and B, interrupt pending registers A and B, and interrupt mask registers A and B. These registers allow the programmer to enable or disable individual interrupt channels, mask individual interrupt channels, and access pending interrupt status information. In-service registers A and B allow interrupts to be nested as described in **Section 4.4 Nesting MFP Interrupts**. The interrupt control registers are shown in the following paragraphs.

4.3.1 Interrupt Enable Registers (IERA, IERB)

The interrupt channels are individually enabled or disabled by writing a one or a zero, respectively, to the appropriate bit of interrupt enable register A or B (IERA or IERB). The processor may read these registers at any time.

When a channel is enabled, interrupts received on the channel will be recognized by the MFP, and \overline{IRQ} will be asserted to the processor indicating that interrupt service is required. On the other hand, a disabled channel is completely inactive; interrupts received on the channel are ignored by the MFP.

Writing a zero to a bit of interrupt enable register A or B will cause the corresponding bit of the interrupt pending register to be cleared. This will terminate all interrupt service requests for the channel and also negate \overline{IRQ} unless interrupts are pending from other sources. Disabling a channel, however, does not affect the corresponding bit in interrupt in-service registers A or B. So, if the MFP is in the software end-of-interrupt mode (refer to **Section 4.4.3 Software End-Of-Interrupt Mode**) and an interrupt is in service when a channel is disabled, the in-service bit of that channel will remain set until cleared by software.

IERA REGISTER

BIT	7	6	5	4	3	2	1	0
FIELD	GPIP7	GPIP6	TIMER A	RCV BUFFER FULL	RCV ERROR	XMIT BUFFER EMPTY	XMIT ERROR	TIMER B
RESET	0	0	0	0	0	0	0	0
ADDR	\$07							

GPIP7-GPIP6 — General Purpose Interrupt Enable

- 1 = Enable.
- 0 = Disable.

Timer A — Timer A Interrupt Enable

- 1 = Enable.
- 0 = Disable.

Receiver Buffer Full — Receiver Buffer Full Interrupt Enable

- 1 = Enable.
- 0 = Disable.

Receiver Error — Receiver Buffer Full Interrupt Enable

- 1 = Enable.
- 0 = Disable.

Transmitter Buffer Empty — Transmitter Buffer Interrupt Enable

- 1 = Enable.
- 0 = Disable.

Transmitter Error — Transmitter Error Interrupt Enable

- 1 = Enable.
- 0 = Disable.

Timer B — Timer B Interrupt Enable

- 1 = Enable.
- 0 = Disable.

IERB REGISTER

BIT	7	6	5	4	3	2	1	0
FIELD	GPIP5	GPIP4	TIMER C	TIMER D	GPIP3	GPIP2	GPIP1	GPIP0
RESET	0	0	0	0	0	0	0	0
ADDR	\$09							

GPIP5-GPIP4 — General Purpose Interrupt Enable

- 1 = Enable.
- 0 = Disable.

Timer C — Timer C Interrupt Enable

- 1 = Enable.
- 0 = Disable.

Timer D — Timer D Interrupt Enable

- 1 = Enable.
- 0 = Disable.

GPIP3-GPIP0 — General Purpose Interrupt Enable

- 1 = Enable.
- 0 = Disable.

4.3.2 Interrupt Pending Registers (IPRA, IPRB)

When an interrupt is received on an enabled channel, the corresponding interrupt pending bit is set in interrupt pending register A or B (IPRA or IPRB). In a vectored interrupt scheme, this bit will be cleared when the processor acknowledges the interrupting channel and the MFP responds with a vector number. In a polled interrupt system, the interrupt pending registers must be read to determine the interrupting channel, and then the interrupt pending bit is cleared by the interrupt handling routine without performing an interrupt acknowledge sequence.

IPRA REGISTER

BIT	7	6	5	4	3	2	1	0
FIELD	GPIP7	GPIP6	TIMER A	RCV BUFFER FULL	RCV ERROR	XMIT BUFFER EMPTY	XMIT ERROR	TIMER B
RESET	0	0	0	0	0	0	0	0
ADDR	\$0B							

GPIP7-GPIP6 — General Purpose Interrupt Pending

- 1 = Pending.
- 0 = Cleared.

Timer A — Timer A Interrupt Pending

- 1 = Pending.
- 0 = Cleared.

Receiver Buffer Full — Receiver Buffer Full Interrupt Pending

- 1 = Pending.
- 0 = Cleared.

Receiver Error — Receiver Buffer Full Interrupt Pending

- 1 = Pending.
- 0 = Cleared.

Transmitter Buffer Empty — Transmitter Buffer Interrupt Pending

- 1 = Pending.
- 0 = Cleared.

Transmitter Error — Transmitter Error Interrupt Pending

- 1 = Pending.
- 0 = Cleared.

Timer B — Timer B Interrupt Pending

- 1 = Pending.
- 0 = Cleared.

IPRB REGISTER

BIT	7	6	5	4	3	2	1	0
FIELD	GPIP5	GPIP4	TIMER C	TIMER D	GPIP3	GPIP2	GPIP1	GPIP0
RESET	0	0	0	0	0	0	0	0
ADDR	\$0D							

GPIP5-GPIP4 — General Purpose Interrupt Pending

- 1 = Pending.
- 0 = Cleared.

Timer C — Timer C Interrupt Pending

- 1 = Pending.
- 0 = Cleared.

Timer D — Timer D Interrupt Pending

- 1 = Pending.
- 0 = Cleared.

GPIP3-GPIP0 — General Purpose Interrupt Pending

- 1 = Pending.
- 0 = Cleared.

4.3.3 Interrupt Mask Registers (IMRA, IMRB)

Interrupts are masked for a channel by clearing the appropriate bit in interrupt mask register A or B (IMRA or IMRB). Even though an enabled channel is masked, the channel will recognize subsequent interrupts and set its interrupt pending bit. However, the channel is prevented from requesting interrupt service (\overline{IRQ} to the processor) as long as the mask bit for that channel is cleared. If a channel is requesting interrupt service at the time that its corresponding bit in IMRA or IMRB is cleared, the request will cease, and \overline{IRQ} will be negated unless another channel is requesting interrupt service. Later, when the mask bit is set, any pending interrupt on the channel will be processed according to the channel's assigned priority. IMRA and IMRB may be read at any time. Figure 4-2 provides a conceptual circuit of an MFP interrupt channel.

IMRA REGISTER

BIT	7	6	5	4	3	2	1	0
FIELD	GPIP7	GPIP6	TIMER A	RCV BUFFER FULL	RCV ERROR	XMIT BUFFER EMPTY	XMIT ERROR	TIMER B
RESET	0	0	0	0	0	0	0	0
ADDR	\$13							

GPIP7-GPIP6 — General Purpose Interrupt Mask

1 = Unmask.

0 = Mask.

Timer A — Timer A Interrupt Mask

1 = Unmask.

0 = Mask.

Receiver Buffer Full — Receiver Buffer Full Interrupt Mask

1 = Unmask.

0 = Mask.

Receiver Error — Receiver Buffer Full Interrupt Mask

1 = Unmask.

0 = Mask.

Transmitter Buffer Empty — Transmitter Buffer Interrupt Mask

1 = Unmask.

0 = Mask.

Transmitter Error — Transmitter Error Interrupt Mask

1 = Unmask.

0 = Mask.

Timer B — Timer B Interrupt Mask

- 1 = Unmask.
- 0 = Mask.

IMRB REGISTER

BIT	7	6	5	4	3	2	1	0
FIELD	GPIP5	GPIP4	TIMER C	TIMER D	GPIP3	GPIP2	GPIP1	GPIP0
RESET	0	0	0	0	0	0	0	0
ADDR	\$15							

GPIP5-GPIP4 — General Purpose Interrupt Mask

- 1 = Unmask.
- 0 = Mask.

Timer C — Timer C Interrupt Mask

- 1 = Unmask.
- 0 = Mask.

Timer D — Timer D Interrupt Mask

- 1 = Unmask.
- 0 = Mask.

GPIP3-GPIP0 — General Purpose Interrupt Mask

- 1 = Unmask.
- 0 = Mask.

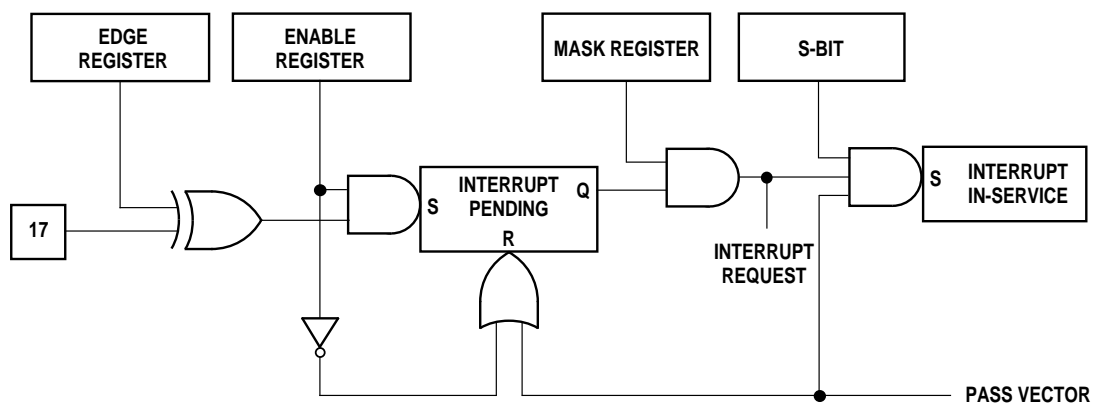


Figure 4-2. Conceptual Circuits of an Interrupt Channel

4.3.4 Interrupt In-Service Registers (ISRA, ISRB)

These registers indicate whether interrupt processing is in progress for a certain channel. A bit is set whenever an interrupt vector number is passed for a interrupt channel during an $\overline{\text{IACK}}$ cycle and the S bit of the vector register is a one. The bit is cleared whenever interrupt service is complete for an associated interrupt channel, the S bit of the vector register is cleared, or the processor writes a zero to the bit.

ISRA REGISTER

BIT	7	6	5	4	3	2	1	0
FIELD	GPIP7	GPIP6	TIMER A	RCV BUFFER FULL	RCV ERROR	XMIT BUFFER EMPTY	XMIT ERROR	TIMER B
RESET	0	0	0	0	0	0	0	0
ADDR	\$0F							

GPIP7-GPIP6 — General Purpose Interrupt Servicing

- 1 = In-service.
- 0 = No service in progress.

Timer A — Timer A Interrupt Servicing

- 1 = In-service.
- 0 = No service in progress.

Receiver Buffer Full — Receiver Buffer Full Interrupt Servicing

- 1 = In-service.
- 0 = No service in progress.

Receiver Error — Receiver Buffer Full Interrupt Servicing

- 1 = In-service.
- 0 = No service in progress.

Transmitter Buffer Empty — Transmitter Buffer Interrupt Servicing

- 1 = In-service.
- 0 = No service in progress.

Transmitter Error — Transmitter Error Interrupt Servicing

- 1 = In-service.
- 0 = No service in progress.

Timer B — Timer B Interrupt Servicing

- 1 = In-service.
- 0 = No service in progress.

ISRB REGISTER

BIT	7	6	5	4	3	2	1	0
FIELD	GPIP5	GPIP4	TIMER C	TIMER D	GPIP3	GPIP2	GPIP1	GPIP0
RESET	0	0	0	0	0	0	0	0
ADDR	\$11							

GPIP5-GPIP4 — General Purpose Interrupt Servicing

- 1 = In-service.
- 0 = No service in progress.

Timer C — Timer C Interrupt Servicing

- 1 = In-service.
- 0 = No service in progress.

Timer D — Timer D Interrupt Servicing

- 1 = In-service.
- 0 = No service in progress.

GPIP3-GPIP0 — General Purpose Interrupt Servicing

- 1 = In-service.
- 0 = No service in progress.

4.4 NESTING MFP INTERRUPTS

In an M68000 vectored interrupt system, the MFP is assigned to one of seven possible interrupt levels. When an interrupt is received from the MFP, an interrupt acknowledge for that level is initiated. Once an interrupt is recognized at a particular level, interrupts at the same level or below are masked by the processor. As long as the processor's interrupt mask is unchanged, the M68000 interrupt structure will prohibit nesting the interrupts at the same interrupt level. However, additional interrupt requests from the MFP can be recognized before a previous channel's interrupt service routine is finished by lowering the processor's interrupt mask to the next lower interrupt level within the interrupt handler.

When nesting MFP interrupts, it may be desirable to permit interrupts on any MFP channel regardless of its priority, to pre-empt or delay interrupt processing of an earlier channel's interrupt service request. Or, it may be desirable to only allow subsequent higher priority channel interrupt requests to supercede previously recognized lower priority interrupt requests. The MFP interrupt structure provides the flexibility by offering two end-of-interrupt options for vectored interrupt schemes. The end-of-interrupt modes are not active in a polled interrupt scheme.

4.4.1 Selecting the End-Of-Interrupt Mode

In a vectored interrupt scheme, the MFP may be programmed to operate in either the automatic end-of-interrupt mode or the software end-of-interrupt mode. The mode is selected by writing the S bit of the vector register. When the S bit is programmed to a one,

the MFP is placed in the software end-of-interrupt mode, and when the S bit is a zero, all channels operate in the automatic end-of-interrupt mode.

4.4.2 Automatic End-Of-Interrupt Mode

When an interrupt vector is passed to the processor during an interrupt acknowledge cycle, the corresponding channel's interrupt pending bit is cleared. In the automatic end-of-interrupt mode, no further history of the interrupt remains in the MFP. The in-service bits of the interrupt in-service registers (ISRA and ISRB) are forced low. Subsequent interrupts, which are received on any MFP channel will generate an interrupt request to the processor even if the current interrupt's service routine has not been completed.

4.4.3 Software End-Of-Interrupt Mode

In the software end-of-interrupt mode, the channel's associated interrupt pending bit is cleared. In addition, the channel's in-service bit of in-service register A or B is set when its vector number is passed to the processor during the interrupt acknowledge cycle. A higher priority channel may subsequently request interrupt service and be acknowledged, but as long as the channel's in-service bit is set, no lower priority channel may request interrupt service nor pass its vector during an interrupt acknowledge sequence.

While only higher priority channels may request interrupt service, any channel can receive an interrupt and set its interrupt pending bit. Even the channel with its in-service bit is set can receive a second interrupt. However, no interrupt service request is made until its in-service bit is cleared.

The in-service bit for a particular channel can be cleared by writing a zero to its corresponding bit in ISRA or ISRB and ones to all other bit positions. Since bits in the in-service registers can only be cleared in software and not set, writing ones to the registers does not alter their contents. ISRA and ISRB may be read at any time.

SECTION 5

GENERAL PURPOSE INPUT/OUTPUT PORT

The general purpose input/output (I/O) port (GPIP) provides eight I/O lines (I0 through I7) that may be operated as either inputs or outputs under software control. In addition, these lines may optionally generate an interrupt on either a positive transition or a negative transition of the input signal. The flexibility of the GPIP allows it to be configured as an 8-bit I/O port or for bit I/O. Since interrupts are enabled on a bit-by-bit basis, a subset of the GPIP could be programmed as handshake lines or the port could be connected to as many as eight external interrupt sources, which would be prioritized by the MFP interrupt controller for the interrupt service.

5.1 GPIP CONTROL REGISTERS

The GPIP is programmed via three control registers. These registers control the data direction, provide user access to the port, and specify the active edge for each bit of the GPIP which will produce an interrupt. These registers are described in detail in the following paragraphs.

5.1.1 General Purpose I/O Data Register (GPDR)

The general purpose I/O data register is used to input data from or output data to the port. When data is written to the GPDR, those pins which are defined as inputs will remain in the high-impedance state. Pins which are defined as outputs will assume the state (high or low) of their corresponding bit in the data register. When the GPDR is read, data will be passed directly from the bits of the data register for pins which are defined as outputs. Data from pins defined as inputs will come from the input buffers.

GPDR REGISTER

BIT	7	6	5	4	3	2	1	0
FIELD	GPIP7	GPIP6	GPIP5	GPIP4	GPIP3	GPIP2	GPIP1	GPIP0
RESET	0	0	0	0	0	0	0	0
ADDR	\$01							

GPIP7-GPIP0 – General Purpose I/O Port

0 = Cleared.

1 = Set.

5.1.2 Active Edge Register (AER)

The active edge register (AER) allows each of the GPIP lines to produce an interrupt on either a one-to-zero or a zero-to-one transition. Writing a zero to the appropriate edge bit of

the active edge register will cause the associated input to generate an interrupt on the one-to-zero transition. Writing a one to the edge bit will produce an interrupt on the zero-to-one transition of the corresponding line. When the processor sets a bit, interrupts will be generated on the rising edge of the associated input signal. When the processor clears a bit, interrupts will be generated on the falling edge of the associated input signal.

AER REGISTER

BIT	7	6	5	4	3	2	1	0
FIELD	GPIP7	GPIP6	GPIP5	GPIP4	GPIP3	GPIP2	GPIP1	GPIP0
RESET	0	0	0	0	0	0	0	0
ADDR	\$03							

GPIP7-GPIP0 – General Purpose I/O Port

- 0 = Interrupts will be generated on the falling edge of the associated input signal.
- 1 = Interrupts will be generated on the rising edge of the associated input signal.

NOTE

The inputs to the exclusive-OR of the transition detector are the edge bit and the input buffer. As a result, writing the AER may cause an interrupt-producing transition, depending upon the state of the input. So, the AER should be configured before enabling interrupts via the interrupt enable registers (IERA and IERB). Also, changing the edge bit while interrupts are enabled may cause an interrupt on the corresponding channel.

5.1.3 Data Direction Register (DDR)

The data direction register (DDR) allows the programmer to define I0 through I7 as inputs or outputs by writing the corresponding bit. When a bit of the data direction register is written as a zero, the corresponding interrupt I/O pin will be a high-impedance input. Writing a one to any bit of the data direction register will cause the corresponding pin to be configured as a push-pull output.

DDR REGISTER

BIT	7	6	5	4	3	2	1	0
FIELD	GPIP7	GPIP6	GPIP5	GPIP4	GPIP3	GPIP2	GPIP1	GPIP0
RESET	0	0	0	0	0	0	0	0
ADDR	\$05							

GPIP7-GPIP0 – General Purpose I/O Port

- 0 = Associated I/O line is defined to be an input.
- 1 = Associated I/O line is defined to be an output.

SECTION 6

TIMERS

The MFP contains four 8-bit timers which provide many functions typically required in microprocessor systems. The timers can supply the baud rate clocks for the on-chip serial I/O channel, generate periodic interrupts, measure elapsed time, and count signal transitions. In addition, two timers have waveform generation capability.

All timers are prescaler/counter timers with a common independent clock input (XTAL1 and XTAL2). Each timer's output signal toggles when the timer's main counter times out. Additionally, timers A and B have auxiliary control signals (TAI, TBI) which are used in two of the operation modes. An interrupt channel is assigned to each timer, and when the auxiliary control signals are used in the pulse width measurement mode, a separate interrupt channel will respond to transitions on these inputs.

6.1 OPERATION MODES

Timers A and B are full function timers which, in addition to the delay mode, operate in the pulse width measurements mode and the event count mode. Timers C and D are delay timers only. A brief discussion of each of the timer modes follows.

6.1.1 Delay Mode Operation

All timers may operate in the delay mode. In this mode, the prescaler is always active. The prescaler specifies the number of timer clock cycles which must elapse before a count pulse is applied to the main counter. A count pulse causes the main counter to decrement by one. When the timer has decremented down to 01 (hexadecimal), the next count pulse will cause the main counter to be reloaded from the timer data register and a time out pulse will be produced. This time out pulse is coupled to the timer's interrupt channel and, if the channel is enabled, an interrupt will occur. The time out pulse also causes the timer output pin to toggle. The output will remain in this new state until the next time out pulse occurs.

For example, if delay mode with a divide-by-10 prescaler is selected and the timer data register is loaded with 100 (decimal), the main counter will decrement once every 10 timer clock cycles. After 1000 timer clocks, a time out pulse will be produced. This time out pulse will generate an interrupt if the channel is enabled (IERA, IERB), and in addition, the timer's output line will toggle. The output line will complete one full period every 2000 cycles of the timer clock.

If the prescaler value is changed while the timer is enabled, the first time out pulse will occur at an indeterminate time no less than one or more than 200 timer clock cycles. Subsequent time out pulses will then occur at the correct interval.

If the main counter is loaded with 01 (hexadecimal), a time out pulse will occur every time the prescaler presents a count pulse to the main counter. If the main counter is loaded with 00, a time out pulse will occur every 256 count pulses.

6.1.2 Pulse Width Measurement Operation

Besides the delay mode, timers A and B may be programmed to operate in the pulse width measurement mode. In this mode, an auxiliary control input is required; timers A and B auxiliary input lines are TAI and TBI. Also, in the pulse width measurement mode, interrupt channels normally associated with I4 and I3 will instead respond to transitions on TAI and TBI, respectively. General purpose lines I3 and I4 may still be used for I/O, but may not be used as interrupt generating inputs. A conceptual circuit of the selection of the interrupt source is shown in Figure 6-1.

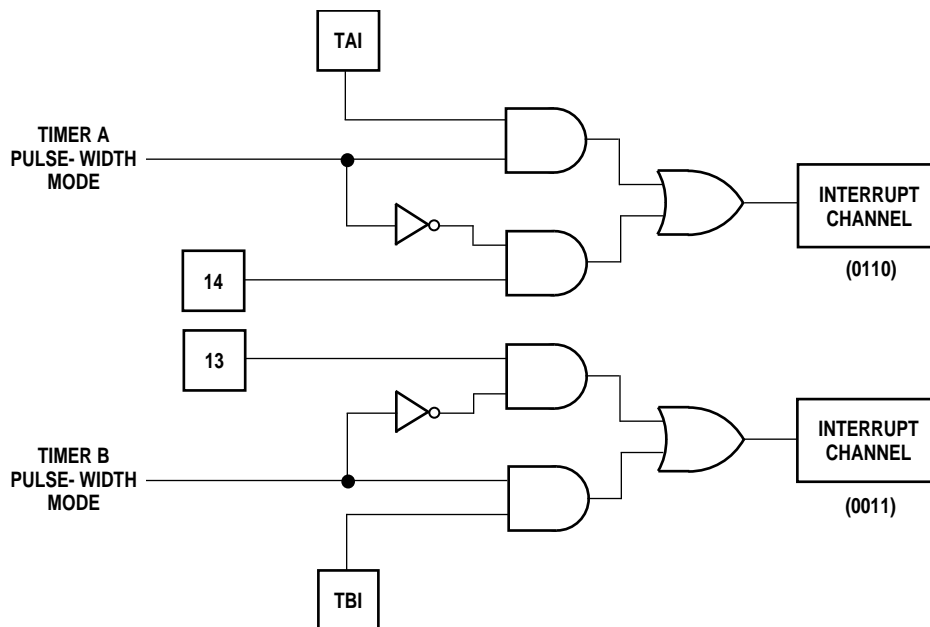


Figure 6-1. Conceptual Circuit of Interrupt Source Selection

The pulse width measurement mode functions similarly to the delay mode, with the auxiliary control signal acting as an enable to the timer. When the control signal is active, the prescaler and main counter are allowed to operate. When the control signal is negated, the timer is stopped. So, the width of the active pulse on TAI or TBI is measured by the number of timer counts which occur while the timer is allowed to operate.

The active state of the auxiliary input line is defined by the associated interrupt channel's edge bit in the active edge register (AER). GPI4 of the AER is the edge bit associated with TAI, and GPI3 is associated with TBI. When the edge bit is a one, the auxiliary input will be active high, enabling the timer while the input signal is at a high level. If the edge bit is zero, the auxiliary input will be active low and the timer will operate while the input signal is at a low level.

The state of the active edge bit also specifies whether a zero-to-one transition or a one-to-zero transition of the auxiliary input pin will produce an interrupt when the interrupt channel is enabled. In normal operation, programming the active edge bit to a one will produce an interrupt on the zero-to-one transition of the associated input signal. Alternately, programming the edge bit to a zero will produce an interrupt on the one-to-zero transition of the input signal. However, in the pulse width measurement mode, the interrupt generated by a transition on TAI or TBI will occur on the opposite transition as that normally defined by the edge bit.

For example, in the pulse width measurement mode, if the edge bit is a one, the timer will be allowed to run while the auxiliary input is high. When the input transitions from high to low, the timer will stop and, if the interrupt channel is enabled, an interrupt will occur. By having the interrupt occur on the one-to-zero transition instead of the zero-to-one transition, the processor will be interrupted when the pulse being measured has been terminated and the width of the pulse from the timer is available.

After reading the contents of the timer, the processor must re-initialize the main counter by writing to the timer data register to allow consecutive pulses to be measured. If the data register is written after the auxiliary input signal becomes active, the timer will count from the previous contents of the timer data register until it counts through 01 (hexadecimal). At that time, the main counter is loaded with the new value from the timer data register, a time out pulse is generated which will toggle the timer output, and an interrupt may be optionally generated on the timer interrupt channel. Note that the pulse width measured includes counts from before the main counter was reloaded. If the timer data register is written while the pulse is transitioning to the active state, an indeterminate value may be written into the main counter.

Once the timer is reprogrammed for another mode, interrupts will again occur as normally defined by the edge bit. Note that an interrupt may be generated as the result of placing the timer into the pulse width measurement mode or by reprogramming the timer for another mode. Also, an interrupt may be generated by changing the state of the edge bit while in the pulse width measurement mode.

6.1.3 Event Count Mode Operation

In addition to the delay mode and the pulse width measurement mode, timers A and B may be programmed to operate in the event count mode. Like the pulse width measurement mode, the event count mode requires an auxiliary input signal, TAI or TBI. General purpose lines I3 and I4 can be used for I/O or as interrupt producing inputs.

In the event count mode, the prescaler is disabled allowing each active transition on TAI and TBI to produce a count pulse. The count pulse causes the main counter to decrement by one. When the timer counts through 01 (hexadecimal), a time out pulse is generated which will cause the output signal to toggle and may optionally produce an interrupt via the associated timer interrupt channel. The timer's main counter is also reloaded from the timer data register. To count transitions reliably, the input signal may only transition once every four timer clock periods. For this reason, the input signal must have a maximum frequency of one-fourth that of the timer clock.

The active edge of the auxiliary input signal is defined by the associated channel's edge bit. GPI4 of the AER specifies the active edge for TAI, and GPI3 defines the active edge for TBI. When the edge bit is programmed to a one, a count pulse will be generated on the zero-to-one transition of the auxiliary input signal. When the edge bit is programmed to a zero, a count pulse will be generated on the one-to-zero transition. Also, note that changing the state of the edge bit while the timer is in the event count mode may produce a count pulse.

6.2 TIMER REGISTERS

The four timers are programmed via three control registers and four data registers. The following paragraphs describe the different registers.

6.2.1 Timer Data Registers (TxDR)

The four timer data registers (TDRs) are designated as Timer A data register (TADR), Timer B data register (TBDR), Timer C data register (TCDR), and Timer D data register (TDDR). Each timer's main counter is an 8-bit binary down counter. The timer data registers contain the value of their respective main counter. This value was captured on the last low-to-high transition of the data strobe pin.

The main counter is initialized by writing to the TDR. If the timer is stopped, data is loaded simultaneously into both the TDR and main counter. If the TDR is written to while the timer is enabled, the value is not loaded into the timer until the timer counts through 01 (hexadecimal). If a write is performed while the timer is counting through 01, then an indeterminate value will be loaded into the timer's main counter.

TxDR REGISTER

BIT	7	6	5	4	3	2	1	0
FIELD	D7	D6	D5	D4	D3	D2	D1	D0
RESET	0	0	0	0	0	0	0	0
ADDR	\$1F, \$21, \$23, \$25							

D7-D0 — Data

0 = Cleared.

1 = Set.

6.2.2 Timer Control Registers (TxCR)

Timer A control register (TACR) and timer B control register (TBCR) are associated with timers A and B, respectively. Timers C and D are programmed using one control register—the timer C and D control register (TCDCR). The bits in the control register select the operation mode, prescaler value, and disable the timers. Both control registers have bits which allow the programmer to reset output lines TA0 and TB0.

TACR REGISTER

BIT	7	6	5	4	3	2	1	0
FIELD	*	*	*	RESET TAO	AC3	AC2	AC1	AC0
RESET	0	0	0	0	0	0	0	0
ADDR	\$19							

TBCR REGISTER

BIT	7	6	5	4	3	2	1	0
FIELD	*	*	*	RESET TBO	BC3	BC2	BC1	BC0
RESET	0	0	0	0	0	0	0	0
ADDR	\$1B							

Bits 7-5 — *Unused

Unused bits read as zero.

Reset TAO/TBO — Reset Timer A and B Output

TAO and TBO may be forced low at any time by writing a one to the reset location in TACR and TBCR. Output is held low during the write operation, and at the end of the bus cycle the output is allowed to toggle in response to a time-out pulse. When resetting TAO and TBO, the other bits in the TCR must be written with their previous value to avoid altering the operating mode.

AC3-AC0/BC3-BC0 — Select Timer A and B Operation Mode

When the timer is stopped, counting is inhibited. The contents of the timer's main counter are not affected, although any residual count in the prescaler is lost.

AC3 BC3	AC2 BC2	AC1 BC1	AC0 BC0	OPERATION MODE
0	0	0	0	Timer Stopped
0	0	0	1	Delay Mode, ÷ 4 Prescaler
0	0	1	0	Delay Mode, ÷ 10 Prescaler
0	0	1	1	Delay Mode, ÷ 16 Prescaler
0	1	0	0	Delay Mode, ÷ 50 Prescaler
0	1	0	1	Delay Mode, ÷ 64 Prescaler
0	1	1	0	Delay Mode, ÷ 100 Prescaler
0	1	1	1	Delay Mode, ÷ 200 Prescaler
1	0	0	0	Event Count Mode

AC3 BC3	AC2 BC2	AC1 BC1	AC0 BC0	OPERATION MODE
1	0	0	1	Pulse Width Mode, ÷ 4 Prescaler
1	0	1	0	Pulse Width Mode, ÷ 10 Prescaler
1	0	1	1	Pulse Width Mode, ÷ 16 Prescaler
1	1	0	0	Pulse Width Mode, ÷ 50 Prescaler
1	1	0	1	Pulse Width Mode, ÷ 64 Prescaler
1	1	1	0	Pulse Width Mode, ÷ 100 Prescaler
1	1	1	1	Pulse Width Mode, ÷ 200 Prescaler

TCDCCR REGISTER

BIT	7	6	5	4	3	2	1	0
FIELD	*	CC2	CC1	CC0	*	DC2	DC1	DC0
RESET	0	0	0	0	0	0	0	0
ADDR	\$1D							

Bit 7, Bit 3 — *Unused
 Unused bits read as zero.

CC2-CC0/DC2-DC0 — Select Timer C and D Operation Mode

When the timer is stopped, counting is inhibited. The contents of the timer’s main counter are not affected, although any residual count in the prescaler is lost.

CC2 DC2	CC1 DC1	CC0 DC0	OPERATION MODE
0	0	0	Timer Stopped
0	0	1	Delay Mode, ÷ 4 Prescaler
0	1	0	Delay Mode, ÷ 10 Prescaler
0	1	1	Delay Mode, ÷ 16 Prescaler
1	0	0	Delay Mode, ÷ 50 Prescaler
1	0	1	Delay Mode, ÷ 64 Prescaler
1	1	0	Delay Mode, ÷ 100 Prescaler
1	1	1	Delay Mode, ÷ 200 Prescaler

SECTION 7

UNIVERSAL SYNCHRONOUS/ASYNCHRONOUS RECEIVER-TRANSMITTER

The universal synchronous asynchronous receiver-transmitter (USART) is a single, full-duplex serial channel with a double-buffered receiver and transmitter. There are separate receive and transmit clocks and, also, separate receive and transmit status and data bytes. The receive and transmit sections are also assigned separate interrupt channels. Each section has two interrupt channels:

- one for normal conditions
- another for error conditions

All interrupt channels are edge-triggered. Generally, it is the output of a flag bit or bits which is coupled to the interrupt channel. Thus, if an interrupt-producing event occurs while the associated interrupt channel is disabled, no interrupt would be produced, even if the channel was subsequently enabled because a transition did not occur while the channel was enabled. That particular event would have to occur again, generating another edge, before an interrupt would be generated. The interrupt channels may be disabled and instead, a DMA device can be used to transfer the data via the control signals receiver ready (\overline{RR}) and transmitter ready (\overline{TR}). Refer to **Section 7.4 DMA Operation** for more information.

7.1 CHARACTER PROTOCOLS

The MFP USART supports asynchronous and, with the help of a polynomial generator checker, byte synchronous character formats. These formats are selected independently of the divide-by-one and divide-by-16 clock modes. It is possible to clock data synchronously into the MFP but still use start and stop bits. After a start bit is detected, data will be shifted in and a stop bit will be checked to determine proper framing. In this mode, all normal asynchronous format features apply.

When the divide-by-one clock mode is selected, synchronization must be accomplished externally. The receiver will sample serial data on the rising edge of the receiver clock. In the divide-by-16 clock mode, the data is sampled at mid-bit time to increase transient noise rejection.

Also, when the divide-by-16 clock mode is selected, the USART re-synchronization logic is enabled. This logic increases the channels clock skew tolerance. Refer to **Section 7.1.1 Asynchronous Format** for more information on the re-synchronization logic.

7.1.1 Asynchronous Format

Variable character length and start/stop bit configurations are available under software control for asynchronous operation. The user can choose a character length from five to eight bits and a stop bit length of one, one and one-half, or two bits. The user can also select odd, even, or no parity.

In the asynchronous format, start bit detection is always enabled. New data is not shifted into the receive shift register until a zero bit is received. When the divide-by-16 clock mode is selected, the false start bit logic is also active. Any transition must be stable for three positive receive clock edges to be considered valid. For a start bit to be good, a valid zero-to-one transition must not occur for eight positive receiver clock transitions after the initial one-to-zero transition. After a valid start bit has been detected, the data is checked continuously for valid transitions. When a valid transition is detected, an internal counter is forced to state zero, and no further transition checking is initiated until state four. At state eight, the “previous state” of the transition checking logic is clocked into the receiver. As a result of this re-synchronization logic, it is possible to run with asynchronous clocks without start and stop bits if there are sufficient valid transitions in the data streams.

7.1.2 Synchronous Format

When the synchronous character format is selected, the 8-bit synchronous character loaded into the synchronous character register (SCR) is compared to received serial data until a match is found. Once synchronization is established, incoming data is clocked into the receiver. The synchronous word will be continuously transmitted during an underrun condition. All synchronous characters can be optionally stripped from the receive buffer (i.e., taken out of the data stream and thrown away) by clearing the appropriate bit in the receive status register (RSR).

SCR REGISTER

BIT	7	6	5	4	3	2	1	0
FIELD	D7	D6	D5	D4	D3	D2	D1	D0
RESET	0	0	0	0	0	0	0	0
ADDR	\$27							

D7-D0 — Data

- 0 = Cleared.
- 1 = Set.

The synchronous character should be written after the character length is selected, since unused bits in the synchronous character register are zeroed out. When parity is enabled, synchronous word length is the character length plus one. The MFP will compute and append the parity bit for the synchronous character.

7.1.3 USART Control Register (UCR)

This register selects the clock mode and the character format for the receive and transmit sections.

UCR REGISTER

BIT	7	6	5	4	3	2	1	0
FIELD	CLK	CL1	CL0	ST1	ST0	PE	E / O	0
RESET	0	0	0	0	0	0	0	U
ADDR	\$29							

CLK — Clock Mode

- 1 = Data clocked into and out of receiver and transmitter at one sixteenth the frequency of their respective clocks.
- 0 = Data clocked into and out of receiver and transmitter at the frequency of their respective clocks.

CL1-CL0 — Character Length

These bits specify the length of the character exclusive of start bits and parity.

CL1	CL0	CHARACTER LENGTH
0	0	8 Bits
0	1	7 Bits
1	0	6 Bits
1	1	5 Bits

ST1-ST0 — Start/Stop Bit and Format Control

These bits select the number of start and stop bits and specify the character format.

ST1	ST0	START BITS	STOP BITS	FORMAT
0	0	0	0	Synchronous
0	1	1	1	Asynchronous
1	0	1	1-1/2	Asynchronous (See note)
1	1	1	2	Asynchronous

NOTE: Used with divide-by-16 mode only.

PE — Parity Enable

- 1 = Parity checked by receiver and parity calculated and inserted during data transmission.
- 0 = No parity check and no parity bit computed for transmission.

E/O — Even/Odd Parity

- 1 = Even parity is selected.
- 0 = Odd parity is selected.

Bit 0 — Reserved by Motorola

This bit is reserved and returns a zero when read.

7.1.4 USART Data Register (UDR)

This register is used to either provide the current data word in the receiver buffer or to provide data to the transmitter buffer.

UDR REGISTER

BIT	7	6	5	4	3	2	1	0
FIELD	D7	D6	D5	D4	D3	D2	D1	D0
RESET	0	0	0	0	0	0	0	0
ADDR	\$2F							

D7-D0 — Data

- 0 = Cleared.
- 1 = Set.

7.2 RECEIVER

As data is received on the serial input line (SI), it is clocked into an internal 8-bit shift register until the specified number of data bits have been assembled. The character will then be transferred to the receive buffer, assuming that the last word in the receive buffer has been read. This transfer will set the buffer full bit in the receiver status register (RSR) and produce a buffer full interrupt to the processor, assuming this interrupt has been enabled.

Reading the receive buffer satisfies the buffer full condition and allows a new data word to be transferred to the receive buffer when it is assembled. The receive buffer is accessed by reading the USART data register (UDR). The UDR is simply an 8-bit data register used when transferring data between the MFP and the CPU.

Each time a word is transferred to the receive buffer, its status information is latched into the receiver status register (RSR). The RSR is not updated again until the data word in the receive buffer has been read. When a buffer full condition exists, the RSR should always be read before the receive buffer (UDR) to maintain the correct correspondence between data and flags. Otherwise, it is possible that after reading the UDR and prior to reading the RSR, a new word could be received and transferred to the receive buffer. Its associated flags would be latched into the RSR, writing over the flags for the previous data word. Thus, when

the RSR was read to access the status information for the first data word, the flags for the new word would be retrieved.

7.2.1 Receiver Interrupt Channels

The USART receiver section is assigned two interrupt channels. One indicates the buffer full condition while the other channel indicates an error condition. Error conditions include overrun, parity error, frame error, synchronous found, and break. These interrupting conditions correspond to the OE, PE, FE, and F/S or B bits of the receiver status register. These flags will function as described in **Section 7.2.2 Receiver Status Register** whether the receiver interrupt channels are enabled or disabled.

While only one interrupt is generated per character received, two dedicated interrupt channels allow separate vector numbers to be assigned for normal and abnormal receiver conditions. When a received word has an error associated with it and the error interrupt channel is enabled, an interrupt will be generated on the error channel only. However, if the error channel is disabled, an interrupt for an error condition will be generated on the buffer full interrupt channel along with interrupts produced by the buffer full condition. The receiver status register must always be read to determine which error condition produced the interrupt.

7.2.2 Receiver Status Register (RSR)

The RSR contains the receiver buffer full flag, the synchronous strip enable, the various status information associated with the data word in the receive buffer. The RSR is latched each time a data word is transferred to the receive buffer. RSR flags cannot change again until the new data word has been read. However, the M/CIP bit is allowed to change.

RSR REGISTER

BIT	7	6	5	4	3	2	1	0
FIELD	BF	OE	PE	FE	FS OR B	M OR CIP	SS	RE
RESET	0	0	0	0	0	0	0	0
ADDR	\$2B							

BF— Buffer Full

Receiver word is transferred to the receive buffer. Receiver buffer is read by accessing the USART data register.

- 1 = Receiver word transferred to buffer.
- 0 = Read by RSR.

OE— Overrun Error

Overrun error occurs when a received word is to be transferred to the receive buffer, but the buffer is full. Neither the receiver buffer nor the RSR is overwritten. The OE bit is set after the receive buffer full condition is satisfied by reading the UDR. This error condition will generate an interrupt to the processor. The OE bit is cleared by reading the RSR. New data words will not be assembled until the RSR is read.

- 1 = Receiver buffer full and incoming word received.
- 0 = Read by RSR.

PE— Parity Error

- 1 = Parity error detected on character transfer to receiver buffer.
- 0 = No parity error detected on character transfer to receiver buffer.

FE — Frame Error

A frame error exists when a non-zero data character is not followed by a stop bit in the asynchronous character format.

- 1 = Frame error detected on character transfer to receiver buffer.
- 0 = No frame error detected on character transfer to receiver buffer.

F/S or B — Found/Search or Break Detect

The F/S bit is used in the synchronous character format. When set to zero, the USART receiver is placed in the search mode. F/S is cleared when the incoming character does not match the synchronous character.

- 1 = Match found. Character length counter enabled.
- 0 = Incoming data compared to SCR. Character length counter disabled.

The B bit is used in the asynchronous character format. this flag indicates a break condition which continues until a non-zero data bit is received.

- 1 = Character transferred to the receive buffer is a break condition.
- 0 = Non-zero data bit received and break condition was acknowledged by reading the RSR at least once.

M or CIP — Match/Character in Progress

The M bit is used in the synchronous character format and indicates a synchronous character has been received.

- 1 = Character transferred to the receive buffer matches the synchronous character.
- 0 = Character transferred to the receive buffer does not match the synchronous character.

The CIP bit is used in the asynchronous character format and indicates that a character is being assembled.

- 1 = Start bit is detected.
- 0 = Final stop bit has been received.

SS — Synchronous Strip Enable

- 1 = Characters that match the synchronous character will not be loaded into the receiver buffer and no buffer full condition will be produced.
- 0 = Characters that match the synchronous character will be transferred to the receive buffer and a buffer full condition will be produced.

RE — Receiver Enable

This bit should not be set until the receiver clock is active. When the transmitter is disabled in auto-turnaround mode this bit is set.

- 1 = Receiver operation is enabled.
- 0 = Receiver is disabled.

7.2.3 Special Receive Conditions

Certain receive conditions relating to the overrun error flag and the break detect flag require further explanation. Consider the following examples:

1. A break is received while the receive buffer is full. This does not produce an overrun condition. Only the B flag will be set after the receiver buffer is read.
2. A new word is received, and the receive buffer is full. A break is received before the receive buffer is read.

Both the B and OE flags will be set when the buffer full condition is satisfied.

7.3 TRANSMITTER

The transmit buffer is loaded by writing to the USART data register (UDR). The data character will be transferred to an internal 8-bit shift register when the last character in the shift register has been transmitted. This transfer will produce a buffer empty condition. If the transmitter completes the transmission of the character in the shift register before a new character is written to the transmit buffer, an underrun error will occur. In the asynchronous character format, the transmitter will send a mark until the transmit buffer is written. In the synchronous character format, the transmitter will continuously send the synchronous character until the transmit buffer is written.

The transmit buffer can be loaded prior to enabling the transmitter. After the transmitter is enabled, there is a delay before the first bit is output. The serial output line (SO) should be programmed to be high, low, or high impedance (by setting the appropriate bits in the transmitter status register (TSR)) before the transmitter is enabled forcing the output line to the desired state until the first bit of the first character is shifted out. The state of the H and L bits in the TSR determine the state of the first transmitted bit after the transmitter is enabled. If the high impedance mode is selected prior to the transmitter being enabled, the first bit transmitted is indeterminate. Note that the SO line will always be driven high for one bit time prior to the character in the transmit shift register being transmitted when the transmitter is first enabled.

When the transmitter is disabled, any character currently being transmitted will continue to completion. However, any character in the transmit buffer will not be transmitted and will remain in the buffer. Thus, no buffer empty condition will occur. If the buffer is empty when the transmitter is disabled, the buffer empty condition will remain, but no underrun condition will be generated when the character in transmission is completed. If no character is being transmitted when the transmitter is disabled, the transmitter will stop at the next rising edge of the internal shift clock.

In the asynchronous character format, the transmitter can be programmed to send a break. The break will be transmitted once the word currently in the shift register has been sent. If the shift register is empty, the break command will be effective immediately. A transmit error interrupt will be generated at every normal character boundary to aid in timing the break transmission. The contents of the TSR are not affected, however. The break will continue until the break bit is cleared. The underrun error (UE) must be cleared from the TSR. Also, the interrupt pending register must be cleared of pending transmitter errors at the beginning of the break transmission, or no interrupts will be generated at the character boundary time. The break (B) bit cannot be set until the transmitter has been enabled and has had sufficient time (one transmitter clock cycle) to perform internal reset and initialization functions.

Any character in the transmit buffer at the start of a break will be transmitted when the break is terminated, assuming the transmitter is still enabled. If the transmit buffer is empty at the start of a break, it may be written at any time during the break. If the buffer is still empty at the end of the break, an underrun condition will exist.

Disabling the transmitter during a break condition causes the transmitter to cease transmission of the break character at the end of the current character. No end-of-break stop bit will be transmitted. Even if the transmit buffer is empty, no buffer empty condition will occur nor will an underrun condition occur. Also, any word in the transmit buffer will remain.

7.3.1 Transmitter Interrupt Channels

The USART transmit section is assigned two interrupt channels. The normal channel indicates a buffer empty condition, and the error channel indicates an underrun or end condition. These interrupting conditions correspond to the BE, UE, and END flags in the TSR. The flag bits will function as described in **Section 7.3.2 Transmitter Status Register** whether their associated interrupt channel is enabled or disabled.

7.3.2 Transmitter Status Register (TSR)

The TSR contains various transmitter error flags and transmitter control bits for selecting auto-turnaround and loopback mode.

TSR REGISTER

BIT	7	6	5	4	3	2	1	0
FIELD	BE	UE	AT	END	B	H	L	TE
RESET	0	0	0	0	0	0	0	0
ADDR	\$2D							

BE — Buffer Empty

- 1 = Character in the transmit buffer transferred to TSR.
- 0 = Transmit buffer reloaded by writing to the USR.

U — Underrun Error

One full transmitter clock cycle is required after UE bit is set before it can be cleared. This bit does not require clearing before writing to the UDR.

- 1 = Character in the TSR was transmitted before a new word was loaded into the transmit buffer.
- 0 = Transmitter disabled or read performed on TSR.

AT — Auto-Turnaround

When set, the receiver will be enabled automatically after the transmitter has been disabled and the last character being transmitted is complete.

END — End of Transmission

If the transmitter is disabled while a character is being transmitted, this bit is set after transmission is complete. If no character was being transmitted, then this bit is set immediately. Re-enabling the transmitter clears this bit.

B — Break

This bit only functions in the asynchronous format. When B is set, BE cannot be set. A break consists of all zeros with not stop bit. This bit cannot be set until transmitter is enabled and internal reset and initialization is complete.

- 1 = Break transmitted and transmission stops.
- 0 = Break ceases and normal transmission resumes.

H, L — High and Low

These bits configure the transmitter output (SO) when the transmitter is disabled. Changing these bits after the transmitter is enabled will not alter the output state until END is cleared.

H	L	OUTPUT STATE
0	0	High Impedance
0	1	Low
1	0	High
1	1	Loopback Mode

TE — Transmitter Enable

The serial output will be driven according to H and L bits until transmission begins. A one bit is transmitted before character transmission in the TSR begins.

- 1 = Transmitter enabled.
- 0 = Transmitter disabled. The UE bit is cleared and the END bit is set.

7.4 DMA OPERATION

USART error conditions are valid only for each character boundary. When the USART performs block data transfers by using the DMA handshake lines receiver ready (\overline{RR}) and transmitter ready (\overline{TR}), errors must be saved and checked at the end of a block. This is accomplished by enabling the error channel for the receiver or transmitter and by masking



interrupts for this channel. Once the transfer is complete, interrupt pending register A is read. Any pending receiver or transmitter error indicates an error in the data transfer.

\overline{RR} is asserted when the buffer full bit is set in the RSR unless a parity error or frame error is detected by the receiver. \overline{TR} is asserted when the buffer empty bit is set in the TSR unless a break is currently being transmitted.

SECTION 8 ELECTRICAL CHARACTERISTICS

This section contains the electrical specifications and associated timing information for the MC68HC901 multi-function peripheral. Refer to **Section 9 Ordering Information and Mechanical Data** for specific part numbers corresponding to voltage, frequency, and temperature rating.

8.1 MAXIMUM RATINGS

RATING	SYMBOL	VALUE	UNIT
Supply Voltage	V_{CC}	-0.3 to 7.0	V
Input Voltage	V_{in}	-0.3 to 7.0	V
Operating Temperature Range	T_A	0 to 70	°C
Storage Temperature Range	T_{stg}	-65 to 150	°C
Power Dissipation	P_D	0.21	W

This device contains circuitry to protect the inputs against damage due to high static voltages or electric fields; however, it is advised that normal precautions be taken to avoid application of any voltage higher than maximum-rated voltages to this high-impedance circuit. Reliability of operation is enhanced if unused inputs are tied to an appropriate logic voltage level (e.g., either V_{CC} or GND).

- NOTES: 1. Permanent damage can occur if maximum ratings are exceeded. Exposure to voltages or currents in excess of recommended values affects device reliability. Device modules may not operate normally while being exposed to electrical extremes.
2. Although sections of the device contain circuitry to protect against damage from high static voltages or electrical fields, take normal precautions to avoid exposure to voltages higher than maximum-rated voltages.

8.2 THERMAL CHARACTERISTICS

CHARACTERISTIC	SYMBOL	VALUE	SYMBOL	VALUE	RATING
Thermal Resistance Plastic (Dual-In-Line) PLCC	θ_{JA}	40	θ_{JC}	20*	°C / W
		60		30	

*Estimated

8.3 POWER CONSIDERATIONS

The average chip-junction temperature, T_J , in °C can be obtained from:

$$T_J = T_A + (P_D \cdot \theta_{JA}) \dots \dots \dots (1)$$

where:

- T_A = Ambient Temperature, °C
- θ_{JA} = Package Thermal Resistance, Junction-to-Ambient, °C/W
- P_D = $P_{INT} + P_{I/O}$
- P_{INT} = $I_{CC} \times V_{CC}$, Watts — Chip Internal Power
- $P_{I/O}$ = Power Dissipation on Input and Output Pins, Watts — User Determined

For most applications $P_{I/O} < P_{INT}$ and can be neglected.

An appropriate relationship between P_D and T_J (if $P_{I/O}$ is neglected) is:

$$P_D = K \div (T_J + 273 \text{ °C}) \dots \dots \dots (2)$$

Solving equations (1) and (2) for K gives:

$$K = P_D \cdot (T_A + 273 \text{ °C}) + \theta_{JA} \cdot P_D^2 \dots \dots \dots (3)$$

where K is a constant pertaining to the particular part. K can be determined from equation (3) by measuring P_D (at equilibrium) for a known T_A . Using this value of K, the values of P_D and T_J can be obtained by solving equations (1) and (2) iteratively for any value of T_A .

The total thermal resistance of a package (θ_{JA}) can be separated into two components, θ_{JC} and θ_{CA} , representing the barrier to heat flow from the semiconductor junction to the package (case) surface (θ_{JC}) and from the case to the outside ambient (θ_{CA}). These terms are related by the equation:

$$\theta_{JA} = \theta_{JC} + \theta_{CA} \dots \dots \dots (4)$$

θ_{JC} is device related and cannot be influenced by the user. However, θ_{CA} is user dependent and can be minimized by such thermal management techniques as heat sinks, ambient air cooling and thermal convection. Thus, good thermal management on the part of the user can significantly reduce θ_{CA} so that θ_{JA} approximately equals θ_{JC} . Substitution of θ_{JC} for θ_{JA} in equation (1) will result in a lower semiconductor junction temperature.

8.4 DC ELECTRICAL CHARACTERISTICS

($T_A = 0\text{ }^{\circ}\text{C}$ to $70\text{ }^{\circ}\text{C}$; $V_{CC} = 5.0\text{ Vdc} \pm 5\%$; $\text{GND} = 0\text{ Vdc}$; unless otherwise noted)

CHARACTERISTIC	SYMBOL	MIN	MAX	UNIT
Input High Voltage, except XTAL1	V_{IH}	2.0	V_{CC}	V
Input Low Voltage, except XTAL1	V_{IL}	-0.3	0.8	V
XTAL1 Input High Voltage	V_{IH}	3.15	V_{CC}	V
XTAL1 Input Low Voltage	V_{IL}	-0.3	1.35	V
Output High Voltage, Except $\overline{\text{IRQ}}$, $\overline{\text{DTACK}}$ ($I_{OH} = -120\text{ }\mu\text{A}$)	V_{OH}	2.4	—	V
Output Low Voltage, Except $\overline{\text{DTACK}}$ ($I_{OL} = 2.0\text{ mA}$)	V_{OL}	—	0.5	V
Power Supply Current	I_{LL}	—	40	mA
Input Leakage Current ($V_{in} = 0$ to V_{CC})	I_{LI}	—	10	μA
Hi-Z Output Leakage Current in Float ($V_{out} = 2.4$ to V_{CC})	I_{LOH}	—	10	μA
Hi-Z Output Leakage Current in Float ($V_{out} = 0.5\text{ V}$)	I_{LOL}	—	-10	μA
$\overline{\text{DTACK}}$ Output Source Current ($V_{out} = 2.4\text{ V}$)	I_{OH}	—	-400	μA
$\overline{\text{DTACK}}$ Output Sink Current ($V_{out} = 0.5\text{ V}$)	I_{OL}	—	5.3	mA

8.5 CAPACITANCE

($T_A = 25\text{ }^{\circ}\text{C}$; $f = 1\text{ MHz}$; unmeasured pins returned to ground)

CHARACTERISTIC	SYMBOL	MIN	MAX	UNIT
Input Capacitance	C_{in}	—	10	pF
Hi-Z Output Capacitance	C_{out}	—	10	pF
Load Capacitance $\overline{\text{IRQ}}$, $\overline{\text{DTACK}}$ All Other Outputs	C	—	100 130	pF

8.6 CLOCK TIMING

(See Figure 8-1)

NUM	CHARACTERISTIC	SYMBOL	MIN	MAX	UNIT
—	Frequency of Operation	f	1.0	4.0	MHz
1	Cycle Time	t_{cyc}	250	1000	ns
2, 3	Clock Pulse Width	t_{CL} , t_{CH}	110	485	ns
4, 5	Rise and Fall Times	t_{Cr} , t_{Cf}	—	15	ns

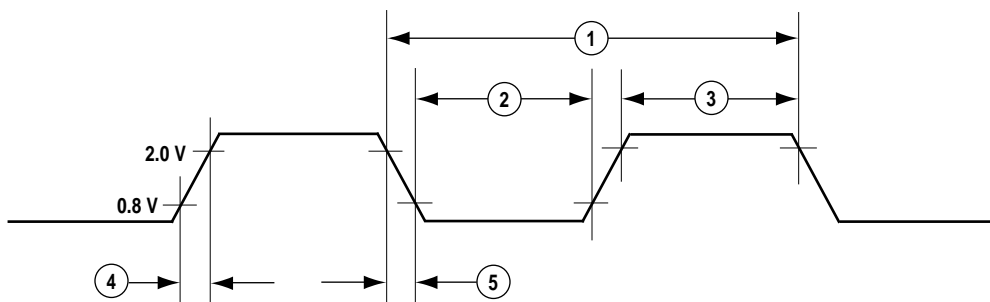
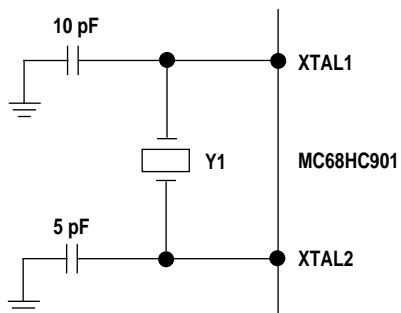


Figure 8-1. Clock Input Timing Diagram



Crystal Parameters:
 Parallel resonance fundamental mode AT cut
 $R_S \leq 150 \Omega$ ($f = 2.8 - 4.0$ MHz)
 $R_S \leq 300 \Omega$ ($f = 2.0 - 2.7$ MHz)
 $C_L = 18$ pF, $C_M = 0.02$ pF, $C_R = 5$ pF, $L_M = 96$ MHz
 f (typical) = 2.4576 MHz

Figure 8-2. MFP External Oscillator Components

8.7 AC ELECTRICAL CHARACTERISTICS

($V_{CC} = 5.0 \text{ Vdc} \pm 5\%$; $GND = 0 \text{ Vdc}$; $T_A = 0^\circ \text{ C to } 70^\circ \text{ C}$; unless otherwise noted, see Figures 8-3 through 8-12)

NUM	CHARACTERISTIC	MIN	MAX	UNIT
1 ⁴	\overline{CS} , \overline{DS} Width High	50	—	ns
2	R/\overline{W} , RS1-RS5 Valid to Falling \overline{CS} Setup Time	0	—	ns
3	Data Valid Prior to Falling CLK Setup Time (Write Cycle Only)	0	—	ns
4 ¹	CS, IACK Valid to Falling CLK Setup Time	50	—	ns
5	CLK Low to \overline{DTACK} Low	—	220	ns
6	\overline{CS} or \overline{DS} or \overline{IACK} High to \overline{DTACK} High	—	60	ns
7	\overline{CS} or \overline{DS} or \overline{IACK} High to \overline{DTACK} High Impedance	—	100	ns
8	\overline{DTACK} Low to Data Invalid Hold Time (Write)	0	—	ns
9	\overline{CS} or \overline{DS} or \overline{IACK} High to Data High Impedance (Read)	—	50	ns
10	\overline{CS} or \overline{DS} High to RS1-RS5, R/\overline{W} Invalid Hold Time	0	—	ns
11 ⁵	Data Valid from \overline{CS} Low (Read)	—	310	ns
12	Data Valid to \overline{DTACK} Low Setup Time (Read)	50	—	ns
13	\overline{DTACK} Low to \overline{DS} or \overline{CS} or \overline{IACK} High Hold Time	0	—	ns
14	\overline{IEI} Low to Falling CLK Setup Time	50	—	ns
15	\overline{IEO} Valid from CLK Low Delay Time	—	180	ns
16	Data Valid from CLK Low Delay Time	—	300	ns
17	\overline{IEO} Invalid from \overline{IACK} High Delay Time	—	150	ns
18	\overline{DTACK} Low from CLK High Delay Time	—	180	ns
19	\overline{IEO} Valid from \overline{IEI} Low Delay Time	—	100	ns
20	Data Valid from \overline{IEI} Low Delay Time	—	220	ns
21	CLK Cycle Time	250	1000	ns
22	CLK Width Low	110	—	ns
23	CLK Width High	110	—	ns
24 ^{2,4}	\overline{CS} , \overline{IACK} Inactive to Rising CLK Setup Time	100	—	ns
25	I/O Minimum Active Pulse Width	100	—	ns
26 ³	\overline{IACK} Width High	2	—	t_{cyc}
27	I/O Data Valid from Falling CLK (Write)	—	450	ns

NUM	CHARACTERISTIC	MIN	MAX	UNIT
28	Receiver Ready (\overline{RR}) Delay from Rising RC	—	600	ns
29	Transmitter Ready (\overline{TR}) Delay from Rising TC	—	600	ns
30	TxO (A or B) Low from Rising Edge of \overline{CS} or \overline{DS} (Reset Time)	—	450	ns
31 ³	Timer Output (TxO) Valid from Falling t_{clk} that Causes Timeout	—	$2 t_{clk} + 300$	ns
32	Timer Clock (t_{clk}) Low Time	110	—	ns
33	Timer Clock (t_{clk}) High Time	110	—	ns
34	Timer Clock (t_{clk}) Cycle Time	250	1000	ns
35	RESET Low Time	2	—	μ s
36	Delay to Falling \overline{IRQ} from Ix Active Transition	—	380	ns
37	Transmitter Interrupt Delay from Falling Edge of TC	—	550	ns
38	Receiver Interrupt Delay from Rising Edge of RC (Buffer Full)	—	800	ns
39	Receiver Interrupt Delay from Falling Edge of RC (Error)	—	800	ns
40	SI Setup Time from Rising Edge of RC (Divide by 1 Only)	80	—	ns
41	SI Hold Time from Rising Edge of RC (Divide by 1 Only)	350	—	ns
42	SO Data Valid from Falling Edge of TC (Divide by 1 Only)	—	440	ns
43	TC Low Time	500	—	ns
44	TC High Time	500	—	ns
45	TC Cycle Time	1.05	∞	μ s
46	RC Low Time	500	—	ns
47	RC High Time	500	—	ns
48	RC Cycle Time	1.05	∞	μ s
49 ³	\overline{CS} , \overline{IACK} , \overline{DS} Width Low	—	80	t_{cyc}
50	SO Data Valid from Falling Edge of TC (Divide by 16 Only)	—	490	ns

- NOTES: 1. If the setup time is not met, \overline{CS} will not be recognized until the next falling clock.
2. If this setup time is met (for consecutive cycles), the minimum hold-off time of one clock cycle will be obtained. If not met, the hold-off time will be two clock cycles.
3. t_{cyc} refers to the clock signal applied to the MFP CLK input pin. t_{clk} refers to the timer clock signal, regardless of whether that signal comes from the XTAL1/XTAL2 crystal clock inputs or the TAI or TBI timer inputs.
4. \overline{CS} is latched internally, therefore if specifications 1 and 24 are met, then \overline{CS} may be negated before the falling clock and still initiate a bus cycle.
5. Although \overline{CS} and \overline{DTACK} are synchronized with the clock, the data out during a read cycle is asynchronous to the clock, relying only on \overline{CS} for timing.

8.8 TIMER AC CHARACTERISTICS

Definitions:

Error = Indicated time value – actual time value

$$t_{psc} = t_{CLK} \times \text{Prescale Value}$$

Internal Timer Mode:

Single Interval Error (Free Running) (See Note 2 below)	± 100 ns
Cumulative Internal Error	0
Error Between Two Timer Reads	$\pm (t_{psc} - 4 t_{CLK})$
Start Timer to Stop Timer Error	$2 t_{CLK} + 100$ ns to $-(t_{psc} + 6 t_{CLK} + 100$ ns)
Start Timer to Read Timer Error	0 to $-(t_{psc} + 6 t_{CLK} + 400$ ns)
Start Timer to Interrupt Request Error (See Note 3 below)	$-2 t_{CLK}$ to $-(4 t_{CLK} + 800$ ns)

Pulse Width Measurement Mode:

Measurement Accuracy (See Note 1 below)	$2 t_{CLK}$ to $-(t_{psc} + 4 t_{CLK})$
Minimum Pulse Width.	$4 t_{CLK}$

Event Counter Mode:

Minimum Active Time of TAI and TBI	$4 t_{CLK}$
Minimum Inactive Time of AI and TBI	$4 t_{CLK}$

- NOTES: 1. Error may be cumulative if repetitively performed.
 2. Error with respect to tout or \overline{TRQ} if note 3 is true.
 3. Assuming it is possible for the timer to make an interrupt request immediately.

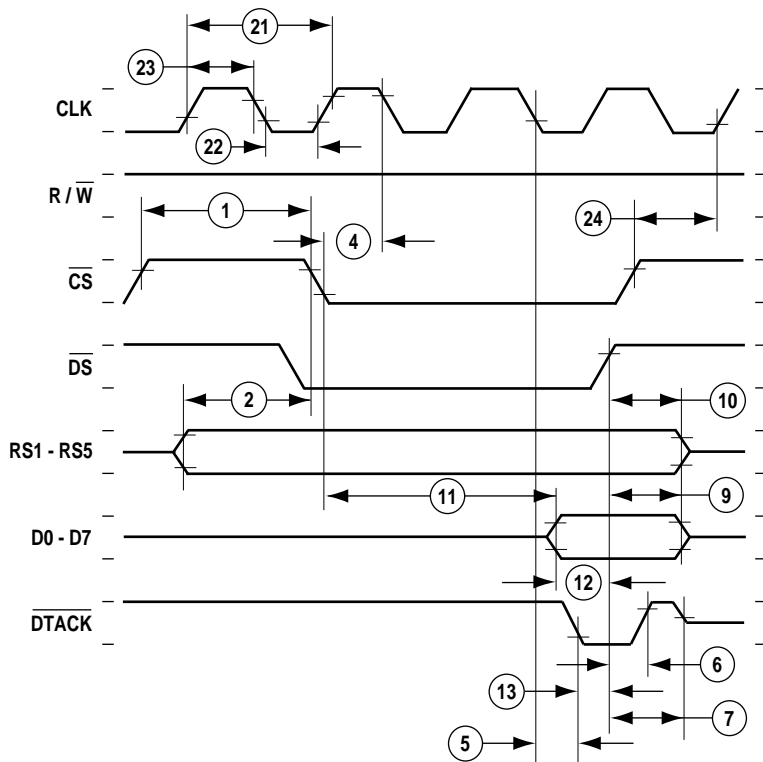


Figure 8-3. Read Cycle Timing

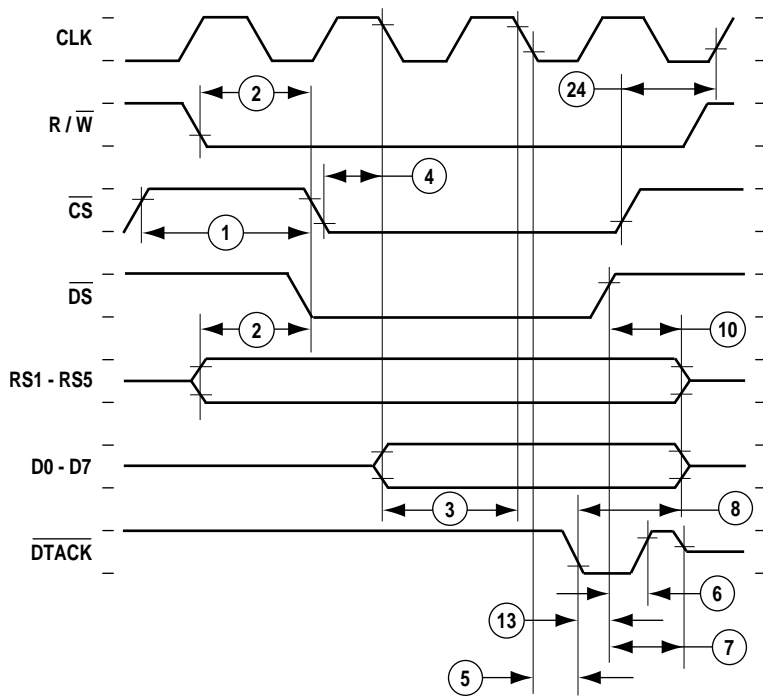
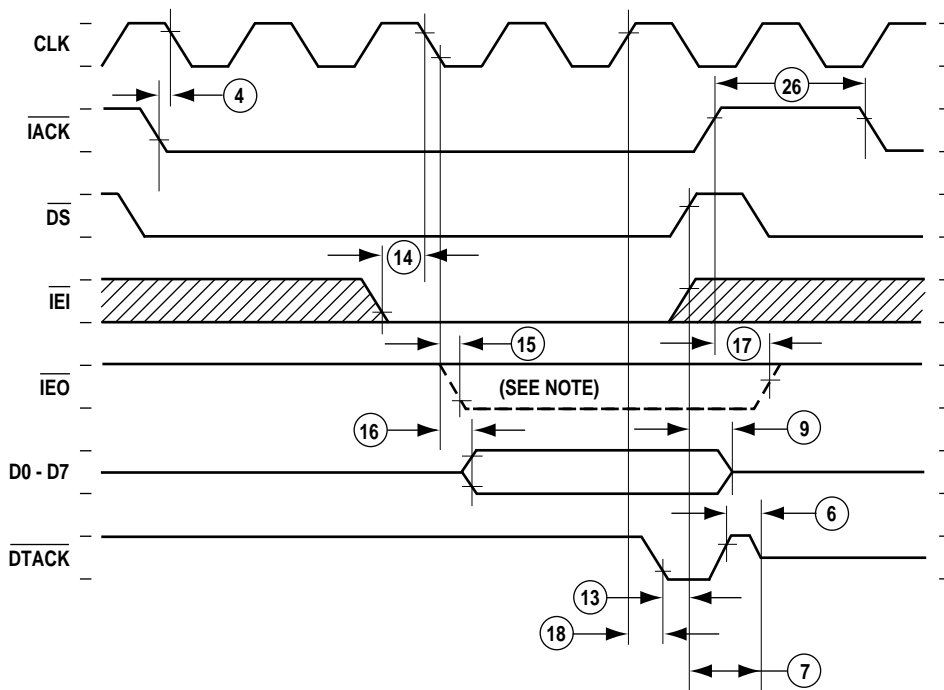


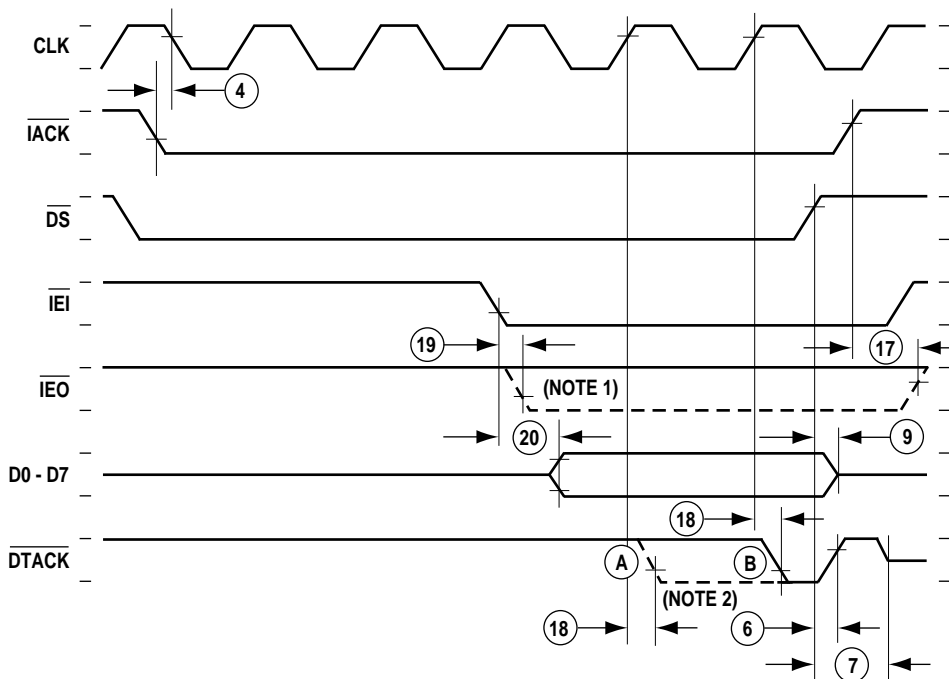
Figure 8-4. Write Cycle Timing



NOTE:

\overline{IEO} only goes low if no acknowledgeable interrupt is pending. If \overline{IEO} goes low, \overline{DTACK} and the data bus remain in the high-impedance state.

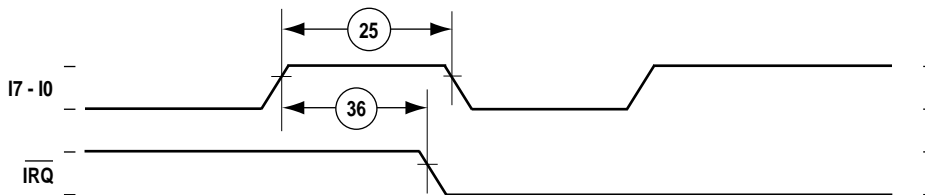
Figure 8-5. Interrupt Acknowledge Cycle (\overline{IEI} Low)



NOTES:

1. IEO only goes low if no acknowledgeable interrupt is pending. If IEO goes low, DTACK and the data bus remain in the high-impedance state.
2. DTACK will go low at (A) if specification number (14) is met. Otherwise, DTACK will go low at (B).

Figure 8-6. Interrupt Acknowledge Cycle (IEI High)



NOTE: Active edge is assumed to be the rising edge.

Figure 8-7. Interrupt Timing

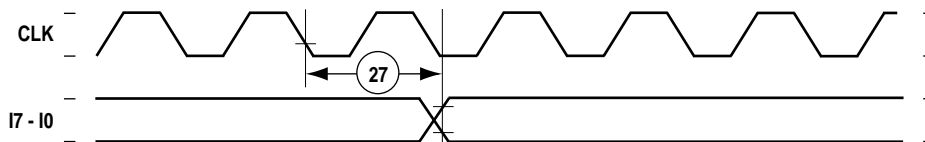


Figure 8-8. Port Timing

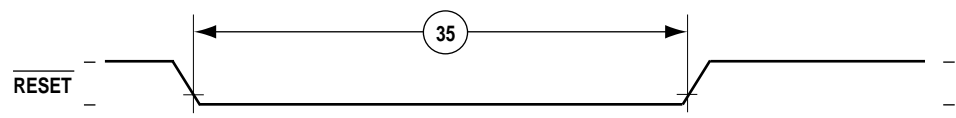


Figure 8-9. Reset Timing

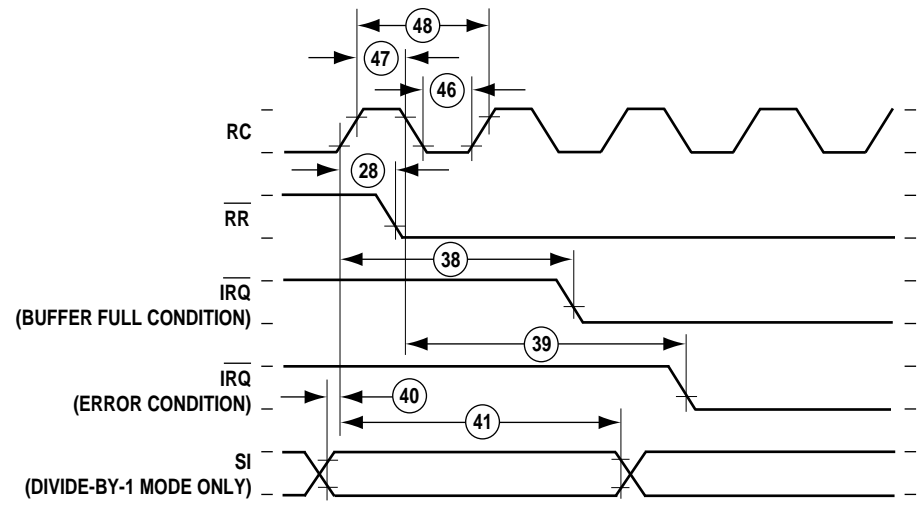


Figure 8-10. Receiver Timing

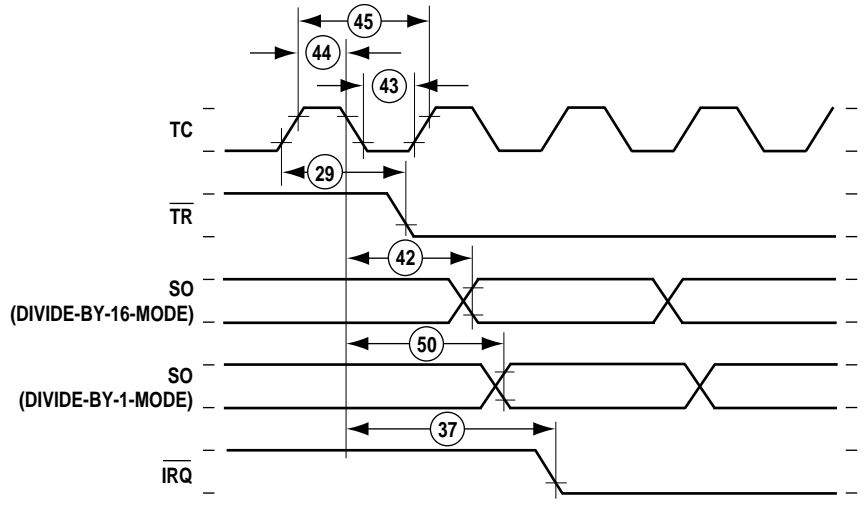
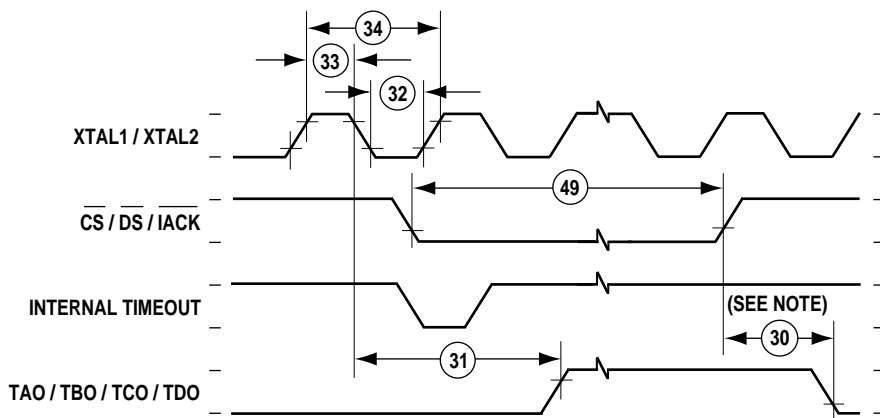


Figure 8-11. Transmitter Timing



NOTE: Specification # 30 applies to timer outputs TAO and TBO only.

Figure 8-12. Timer Timing

SECTION 9

MECHANICAL DATA AND ORDERING INFORMATION

This section contains the pin assignments, package dimensions, and ordering information for the MC68HC901 multi-function peripheral.

9.1 PIN ASSIGNMENTS

PACKAGE	MC68HC901
48-Pin Dual-In-Line (Plastic)	Yes
52-Lead QUAD	Yes

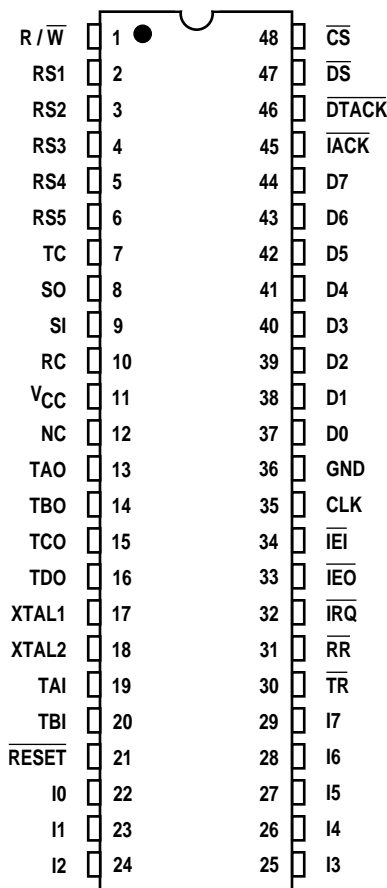


Figure 9-1. 48-Pin Dual-In-Line Package (Plastic)

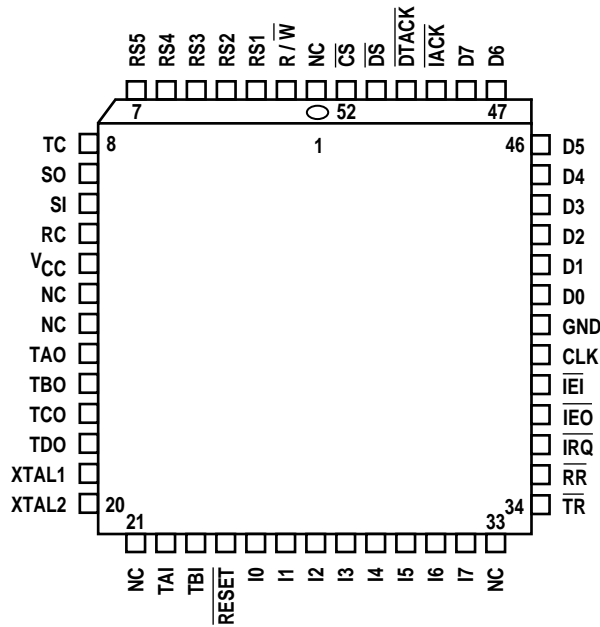


Figure 9-2. 52-Lead QUAD Package

9.2 PACKAGE DIMENSIONS

CASE PACKAGE	MC68HC901
48-Pin Dual-In-Line (Plastic)	Yes
52-Lead QUAD	Yes

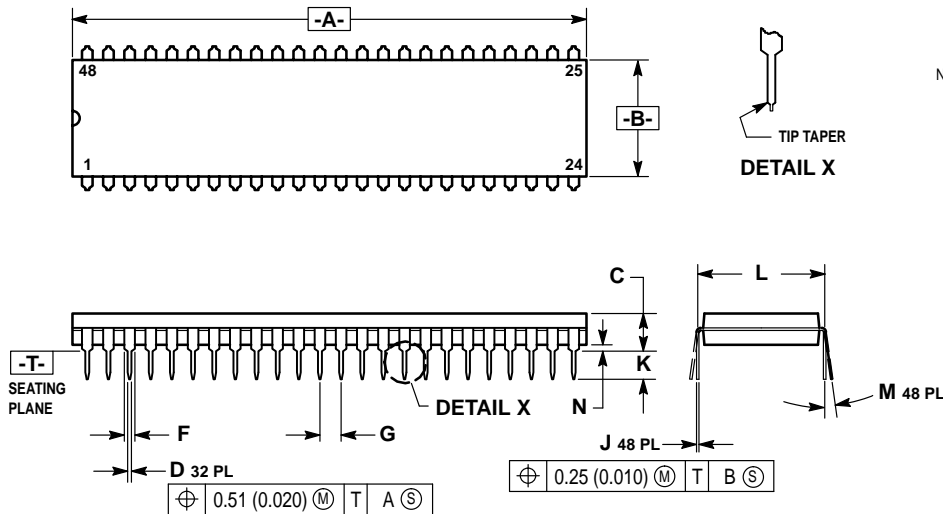
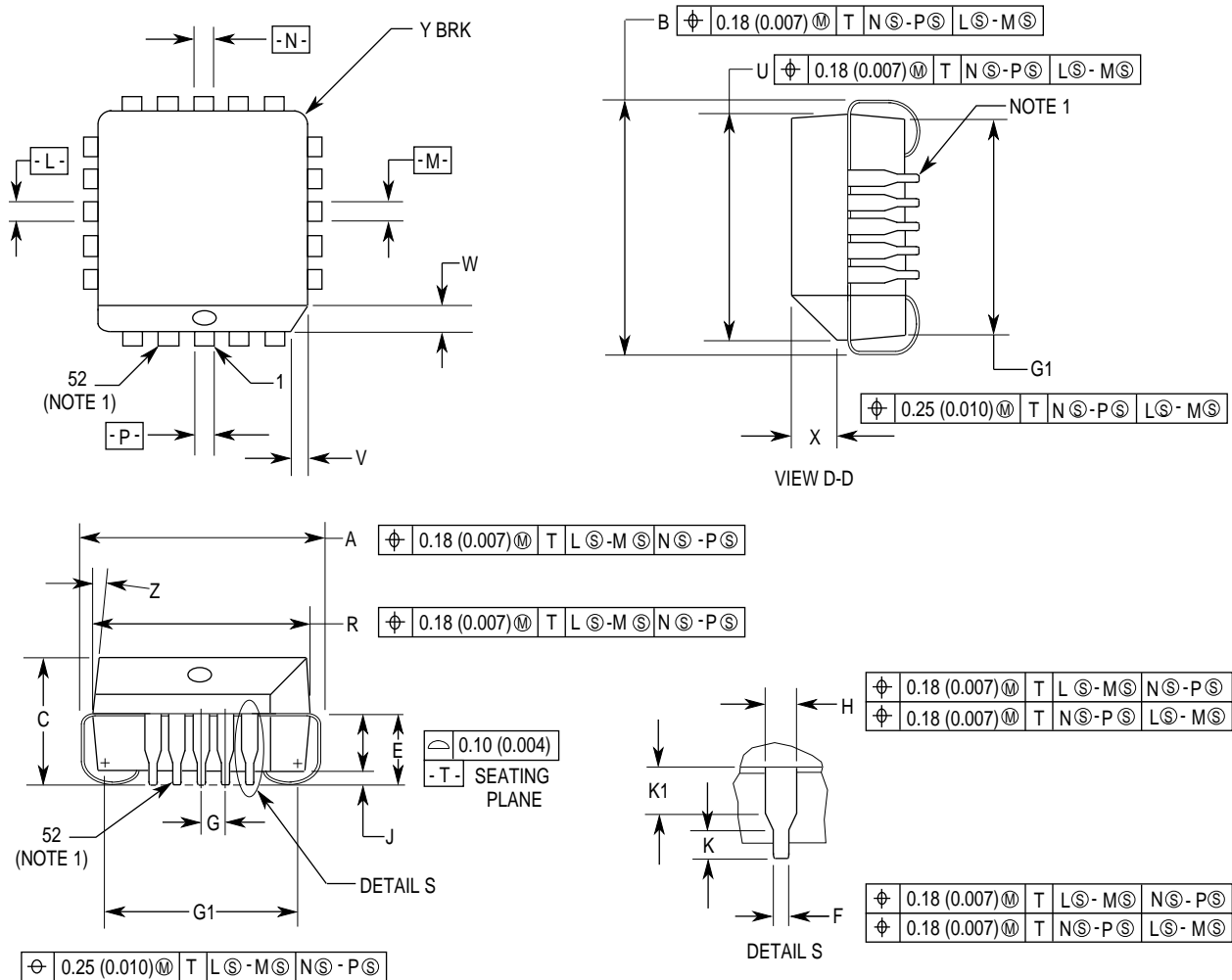


Figure 9-3. Case 767-02-P Suffix



DIM	MILLIMETERS		INCHES	
	MIN	MAX	MIN	MAX
A	19.94	20.19	0.785	0.795
B	19.94	20.19	0.785	0.795
C	4.20	4.57	0.165	0.180
E	2.29	2.79	0.090	0.110
F	0.33	0.48	0.013	0.019
G	1.27 BSC		0.050 BSC	
H	0.66	0.81	0.026	0.032
J	0.51	-	0.020	-
K	0.64	-	0.025	-
R	19.05	19.20	0.750	0.756
U	19.05	19.20	0.750	0.756
V	1.07	1.21	0.042	0.048
W	1.07	1.21	0.042	0.048
X	1.07	1.42	0.042	0.056
Y	-	0.50	-	0.020
Z	2°	10°	2°	10°
G1	18.04	18.54	0.710	0.730
K1	1.02	-	0.040	-

NOTES:

1. DUE TO SPACE LIMITATION, CASE 778-02 SHALL BE REPRESENTED BY A GENERAL (SMALLER) CASE OUTLINE DRAWING RATHER THAN SHOWING ALL 52 LEADS.
2. DATUMS -L-, -M-, -N-, DETERMINED WHERE TOP OF LEAD SHOULDER EXIT PLASTIC BODY AT MOLD PARTING LINE.
3. DIM G1, TRUE POSITION TO BE MEASURED AT DATUM -T-, SEATING PLANE.
4. DIM R AND U DO NOT INCLUDE MOLD PROTRUSION. ALLOWABLE MOLD PROTRUSION IS 0.25 (0.010) PER SIDE.
5. DIMENSIONING AND TOLERANCING PER ANSI Y14.5M, 1982.
6. CONTROLLING DIMENSION: INCH.
7. THE PACKAGE TOP MAY BE SMALLER THAN THE PACKAGE BOTTOM BY UP TO .012 (.300). DIMENSIONS R AND U ARE DETERMINED AT THE OUTERMOST EXTREMES OF THE PLASTIC BODY EXCLUSIVE OF MOLD FLASH, TIE BAR BURRS, GATE BURRS AND INTERLEAD FLASH, BUT INCLUDING ANY MISMATCH BETWEEN THE TOP AND BOTTOM OF THE PLASTIC BODY.
8. DIMENSION H DOES NOT INCLUDE DAMBAR PROTRUSION OR INTRUSION. THE DAMBAR PROTRUSION(S) SHALL NOT CAUSE THE H DIMENSION TO BE GREATER THAN .037 (.940). THE DAMBAR INTRUSION(S) SHALL NOT CAUSE THE H DIMENSION TO BE SMALLER THAN .025 (.635).

Figure 9-4. Case 778-02-FN Suffix

9.3 ORDERING INFORMATION

PACKAGE TYPE	MAXIMUM CLOCK FREQUENCY	TEMPERATURE RANGE	ORDER NUMBER
Plastic P Suffix	4.0 MHz	0 °C to 70 °C	MC68HC901P
Quad Pack FN Suffix	4.0 MHz	0 °C to 70 °C	MC68HC901FN

INDEX

Numerics		Data Direction Register (DDR)	5-2
48-Pin Dual-In-Line Package (Plastic)	9-1	Data Transfer Operations	3-1
52-Lead QUAD Package	9-2	DC Electrical Characteristics	8-3
A		DDR register	5-2
AC Electrical Characteristics	8-5	Delay Mode Operation	6-1
Active Edge Register (AER)	5-1	Diagram(s)	
AER register	5-2	Clock Input Timing	8-4
Asynchronous Bus Control	2-2	IACK Cycle Timing	3-3
Asynchronous Format	7-2	Interrupt Acknowledge Cycle Timing (\overline{IEI} High)	8-10
Automatic End-Of-Interrupt Mode	4-12	Interrupt Acknowledge Cycle Timing (\overline{IEI} Low)	8-9
B		Interrupt Timing	8-10
Bus Operation	3-1	MFP Block	1-1
C		Port Timing	8-10
Capacitance	8-3	Read Cycle Timing	3-2, 8-8
Case Package Drawings		Receiver Timing	8-11
Case 767-02–P Suffix	9-2	Reset Timing	8-11
Case 778-02–FN Suffix	9-3	Timer Timing	8-12
Character Formats		Transmitter Timing	8-11
Asynchronous	7-2	Write Cycle Timing	3-2, 8-8
Synchronous	7-2	Direct Memory Access Control	
Character Protocols	7-1	Signals	2-5
Clock Input Timing Diagram	8-4	DMA Operation	7-9
Clock Signal	2-2	E	
Clock Timing	8-4	Electrical Characteristics	8-1
Conceptual Circuit of Interrupt		Event Count Mode Operation	6-3
Source Selection	6-2	G	
Conceptual Circuits of an Interrupt		General Purpose I/O Data Register (GPDR)	5-1
Channel	4-9	General Purpose I/O Interrupt Lines	2-3
D		General Purpose Input/Output Port	5-1
Daisy-Chained Interrupt Structure	4-3	GPDR register	5-1
Daisy-Chaining MFPs	4-3	GPIP Control Registers	5-1
Data Bus Signals	2-2	GPIP Port	5-1

Receiver Timing 8-11
 register programming 1-2
 Register Select Bus Signals 2-2
 Reset Operation 3-3
 Reset Signal 2-2
 Reset Timing 8-11
 RSR register 7-5

S

SCR register 7-2
 Section(s)
 Bus Operation 3-1
 Electrical Characteristics 8-1
 General Purpose Input/Output
 Port 5-1
 Interrupt Structure 4-1
 Introduction 1-1
 Mechanical Data and Ordering
 Information 9-1
 Signal Description 2-1
 Timers 6-1
 Universal Synchronous/
 Asynchronous Receiver-
 Transmitter 7-1
 Selecting the End-Of-Interrupt
 Mode 4-11
 Serial I/O Control Signals 2-4
 Signal Description 2-1
 Signal Groups
 Asynchronous Bus Control 2-2
 Clock (CLK) 2-2
 Data Bus (D7–D0) 2-2
 DMA Control 2-5
 GPIP Interrupts (I7–I0) 2-3
 Interrupt Control 2-3
 Power Supply (V_{CC} and GND) 2-1
 Register Select Bus
 (RS1–RS5) 2-2
 Reset ($\overline{\text{RESET}}$) 2-2
 Serial I/O Control 2-4
 Timer Control 2-4
 Signal Summary 2-5
 Software End-Of-Interrupt Mode 4-12
 Special Receive Conditions 7-7
 Synchronous Format 7-2

T

Thermal Characteristics 8-1
 Timer AC Characteristics 8-7
 Timer Control Registers (TxCR) 6-4
 Timer Control Signals 2-4
 Timer Data Registers (TxDR) 6-4
 Timer Registers
 Timer A Control Register
 (TACR) 6-4
 Timer A Data Register
 (TADR) 6-4
 Timer B Control Register
 (TBCR) 6-4
 Timer B Data Register
 (TBDR) 6-4
 Timer C and D Control Register
 (TCDCR) 6-4
 Timer C Data Register
 (TCDR) 6-4
 Timer D Data Register
 (TDDR) 6-4
 Timer Timing 8-12
 Timers 6-1
 Transmitter 7-7
 Transmitter Interrupt Channels 7-8
 Transmitter Timing 8-11
 TSR register 7-8

U

UCR register 7-3
 UDR register 7-4
 Universal Synchronous/Asynchronous
 Receiver-Transmitter 7-1
 USART Registers
 Receiver Status Register
 (RSR) 7-5
 Synchronous Character Register
 (SCR) 7-2
 Transmitter Status Register
 (TSR) 7-8
 USART Control Register
 (UCR) 7-3
 USART Data Register (UDR) 7-4

V

Vector Register (VR) 4-2

VR register 4-2

W

Write Cycle Timing 8-8

Write Cycle Timing Diagram 3-2