

AV RECEIVER/AV AMPLIFIER RX-V2600/DSP-AX2600

SERVICE MANUAL

IMPORTANT NOTICE

This manual has been provided for the use of authorized YAMAHA Retailers and their service personnel. It has been assumed that basic service procedures inherent to the industry, and more specifically YAMAHA Products, are already known and understood by the users, and have therefore not been restated.

WARNING: Failure to follow appropriate service and safety procedures when servicing this product may result in personal injury, destruction of expensive components, and failure of the product to perform as specified. For these reasons, we advise all YAMAHA product owners that any service required should be performed by an authorized YAMAHA Retailer or the appointed service representative.

IMPORTANT: The presentation or sale of this manual to any individual or firm does not constitute authorization, certification or recognition of any applicable technical capabilities, or establish a principle-agent relationship of any form.

The data provided is believed to be accurate and applicable to the unit(s) indicated on the cover. The research, engineering, and service departments of YAMAHA are continually striving to improve YAMAHA products. Modifications are, therefore, inevitable and specifications are subject to change without notice or obligation to retrofit. Should any discrepancy appear to exist, please contact the distributor's Service Division.

WARNING: Static discharges can destroy expensive components. Discharge any static electricity your body may have accumulated by grounding yourself to the ground buss in the unit (heavy gauge black wires connect to this buss).

IMPORTANT: Turn the unit OFF during disassembly and part replacement. Recheck all work before you apply power to the unit.

CONTENTS

TO SERVICE PERSONNEL	2	DISPLAY DATA	62~63
FRONT PANELS	3	IC DATA	64~71
REAR PANELS	4~6	BLOCK DIAGRAM	73~75
REMOTE CONTROL PANELS	7	PIN CONNECTION DIAGRAM	76~77
SPECIFICATIONS / 参考仕様	8~10	PRINTED CIRCUIT BOARD	78~99
INTERNAL VIEW	11	SCHEMATIC DIAGRAM	101~113
DISASSEMBLY PROCEDURES / 分解手順	12~15	PARTS LIST	115~150
UPDATING FIRMWARE / ファームウェアの書き込み	16~23	REMOTE CONTROL	151~153
SELF DIAGNOSIS FUNCTION (DIAG) / 自己診断機能 (ダイアグ)	24~59	ADVANCED SETUP / アドバンスドセットアップメニューを設定する	154
AMP ADJUSTMENT / アンプ部調整	60~61	Parts List for Carbon Resistors	155



このサービスマニュアルは、エコマーク認定の再生紙を使用しています。
This Service Manual uses recycled paper.

100980

© 2005 YAMAHA CORPORATION All rights reserved.
This manual is copyrighted by YAMAHA and may not be copied or
redistributed either in print or electronically without permission.



YAMAHA

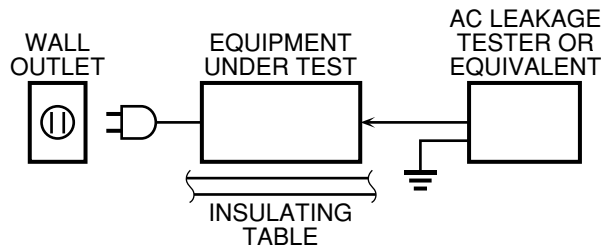
YAMAHA CORPORATION
P.O.Box 1, Hamamatsu, Japan

'05.11

RX-V2600/
DSP-AX2600

■ TO SERVICE PERSONNEL

1. Critical Components Information
Components having special characteristics are marked ⚠ and must be replaced with parts having specifications equal to those originally installed.
 2. Leakage Current Measurement (For 120V Models Only)
When service has been completed, it is imperative to verify that all exposed conductive surfaces are properly insulated from supply circuits.
- Meter impedance should be equivalent to 1500 ohms shunted by 0.15μF.



- Leakage current must not exceed 0.5mA.
- Be sure to test for leakage with the AC plug in both polarities.



“CAUTION”

“F2: FOR CONTINUED PROTECTION AGAINST RISK OF FIRE, REPLACE ONLY WITH SAME TYPE 10A, 125V FUSE.”

CAUTION

F2: REPLACE WITH SAME TYPE 10A, 125V FUSE.

ATTENTION

F2: UTILISER UN FUSIBLE DE RECHANGE DE MEME TYPE DE 10A, 125V.

WARNING: CHEMICAL CONTENT NOTICE!

The solder used in the production of this product contains LEAD. In addition, other electrical/electronic and/or plastic (where applicable) components may also contain traces of chemicals found by the California Health and Welfare Agency (and possibly other entities) to cause cancer and/or birth defects or other reproductive harm.

DO NOT PLACE SOLDER, ELECTRICAL/ELECTRONIC OR PLASTIC COMPONENTS IN YOUR MOUTH FOR ANY REASON WHATSOEVER!

Avoid prolonged, unprotected contact between solder and your skin! When soldering, do not inhale solder fumes or expose eyes to solder/flux vapor!

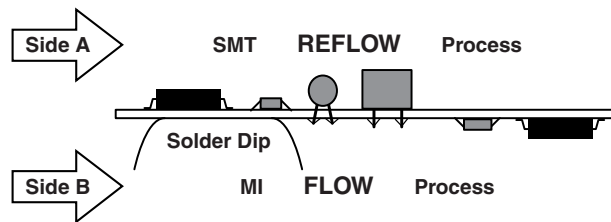
If you come in contact with solder or components located inside the enclosure of this product, wash your hands before handling food.

About lead free solder / 無鉛ハンダについて

The P.C.B.s installed in this unit are soldered using the following solder.

本機に搭載されている基板のハンダ付けに使用されているハンダは下記の通りです。

	Side A / A 面	Side B / B 面
DSP P.C.B.	Lead Free Solder / 無鉛ハンダ	Lead Free Solder / 無鉛ハンダ
FUNCTION P.C.B.	Lead Free Solder / 無鉛ハンダ	Lead Free Solder / 無鉛ハンダ
OPERATION P.C.B.	—	Lead Free Solder / 無鉛ハンダ
MAIN P.C.B.	—	Lead Free Solder / 無鉛ハンダ
POWER PC.B.	—	Lead Free Solder / 無鉛ハンダ
INPUT P.C.B.	Lead Free Solder / 無鉛ハンダ	Lead Free Solder / 無鉛ハンダ
A-VIDEO P.C.B.	Lead Free Solder / 無鉛ハンダ	Lead Free Solder / 無鉛ハンダ
D-VIDEO P.C.B.	Lead Free Solder / 無鉛ハンダ	Lead Free Solder / 無鉛ハンダ



Among some types of lead free solder currently available, it is recommended to use one of the following types for the repair work.

- Sn + Ag + Cu (tin + silver + copper)
- Sn + Cu (tin + copper)
- Sn + Zn + Bi (tin + zinc + bismuth)

無鉛ハンダにはいくつかの種類がありますが、修理時には下記のような無鉛ハンダの使用を推奨します。

- Sn+Ag+Cu(錫+銀+銅)
- Sn+Cu(錫+銅)
- Sn+Zn+Bi(錫+亜鉛+ビスマス)

Caution:

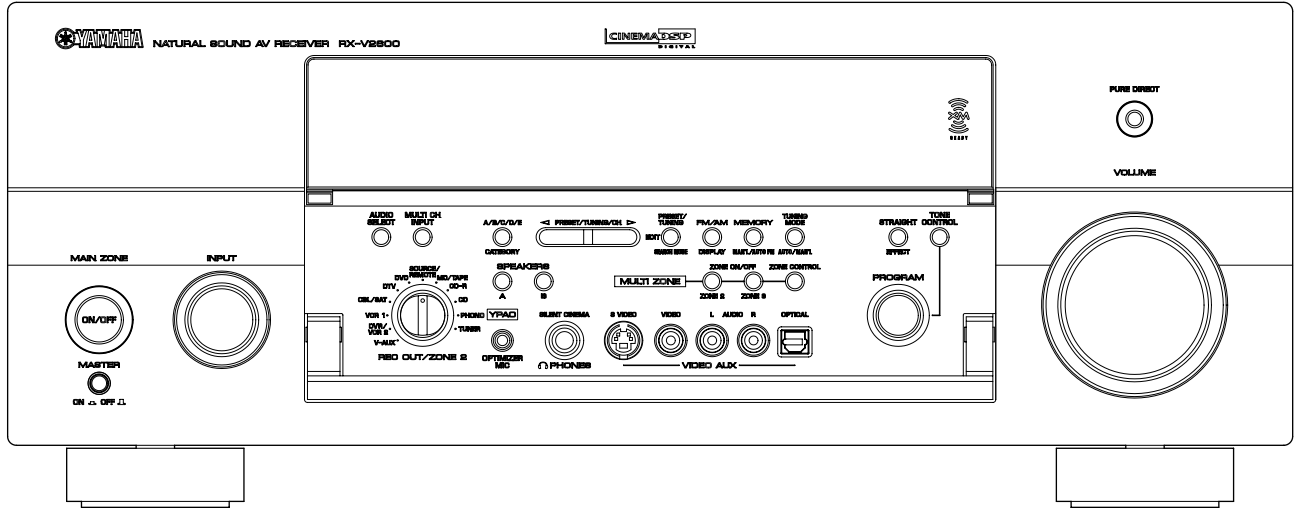
1. As the melting point temperature of the lead free solder is about 30°C to 40°C (50°F to 70°F) higher than that of the lead solder, be sure to use a soldering iron suitable to each solder.
2. If lead solder must be used, be sure to remove lead free solder from each terminal section of the parts to be replaced and from the area around it completely before soldering, or make sure that the lead-free solder and lead solder melt together fully.

注意:

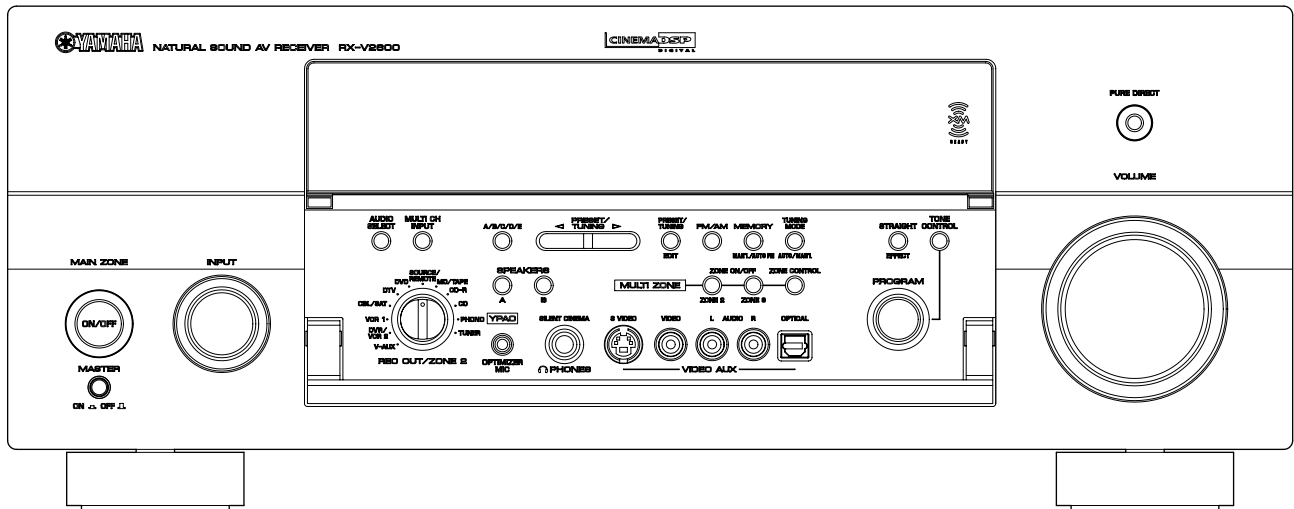
- ① 無鉛ハンダの融点温度は通常の鉛入りハンダに比べ30～40℃程度高くなっていますので、それぞれのハンダに合ったハンダごてをご使用ください。
- ② 鉛入りハンダを使わざるを得ない場合は、あらかじめ交換する部品端子部やその周辺部の無鉛ハンダをすべて取り除くか、あるいは無鉛ハンダと鉛入りハンダが十分に溶けた状態となるようにハンダ付けしてください。

FRONT PANELS

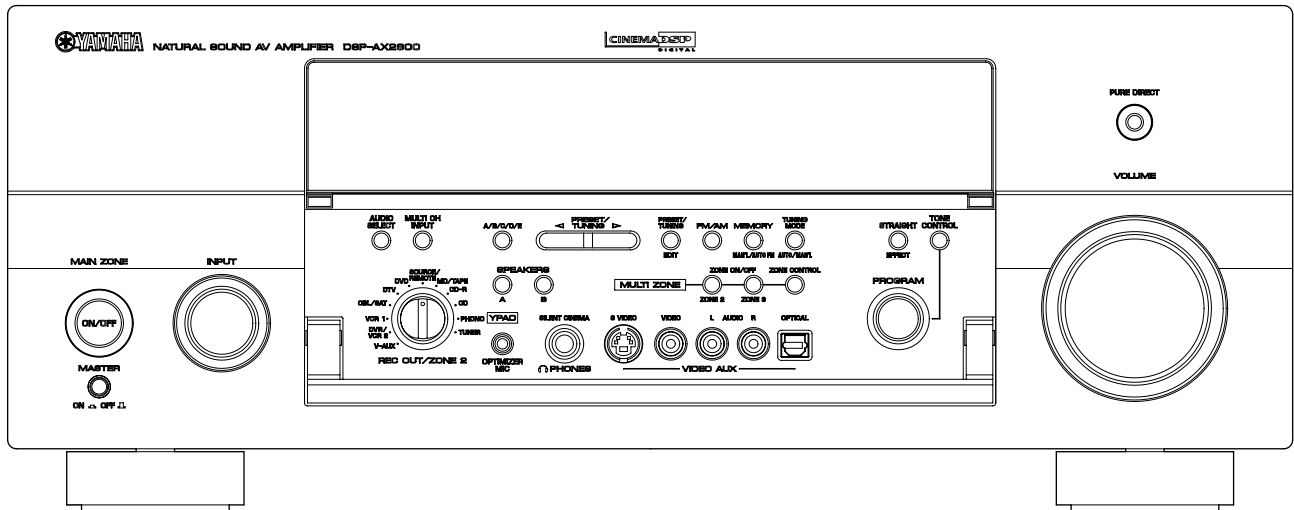
RX-V2600 (U, C models)



RX-V2600 (R, T, K, A, B, G, L models)

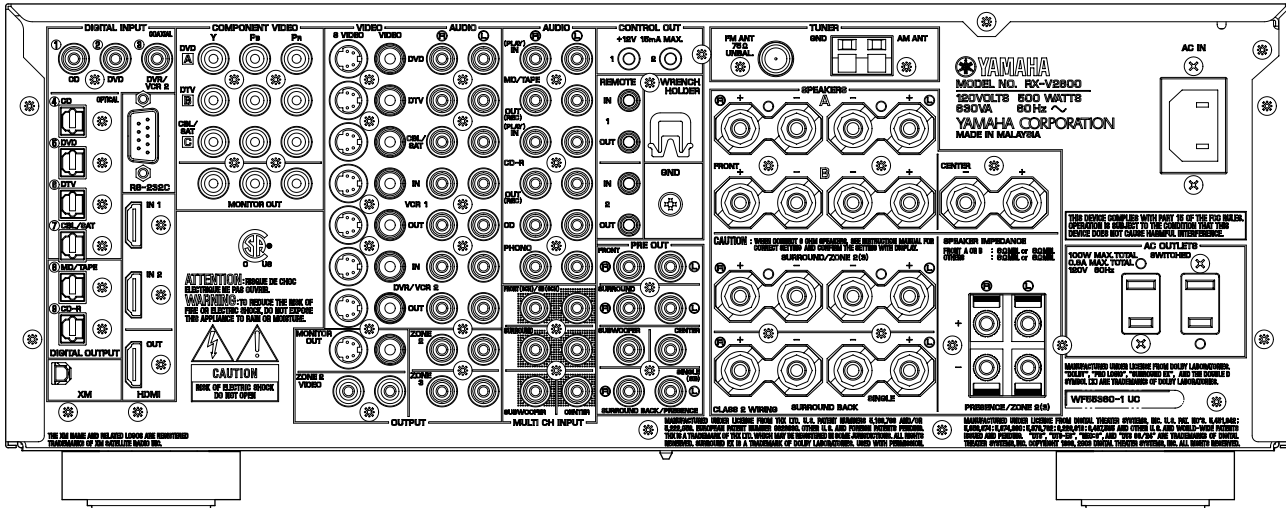


DSP-AX2600 (J model)

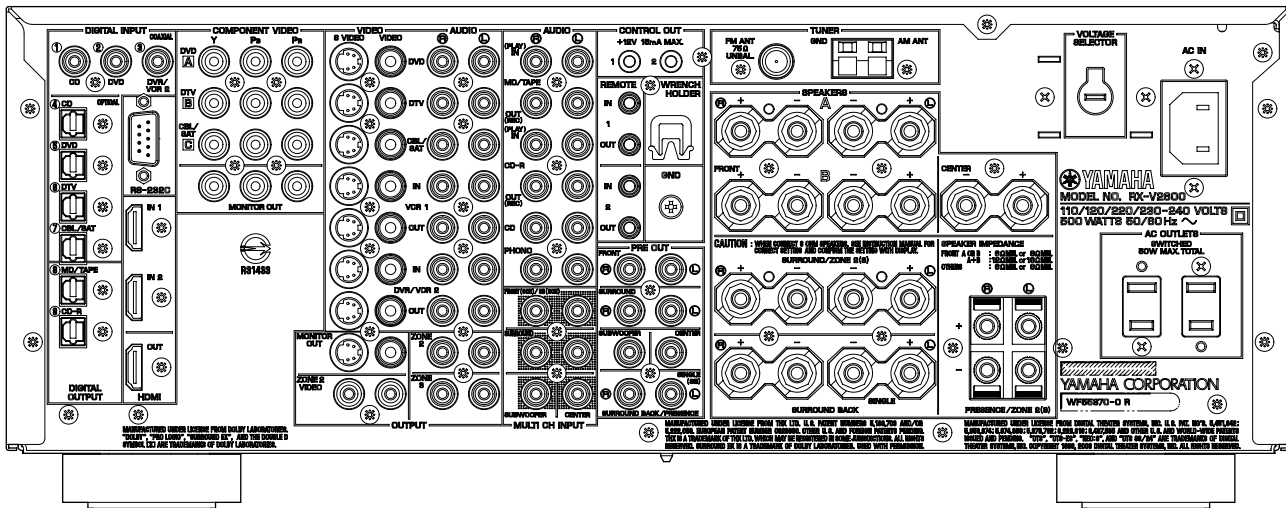


REAR PANELS

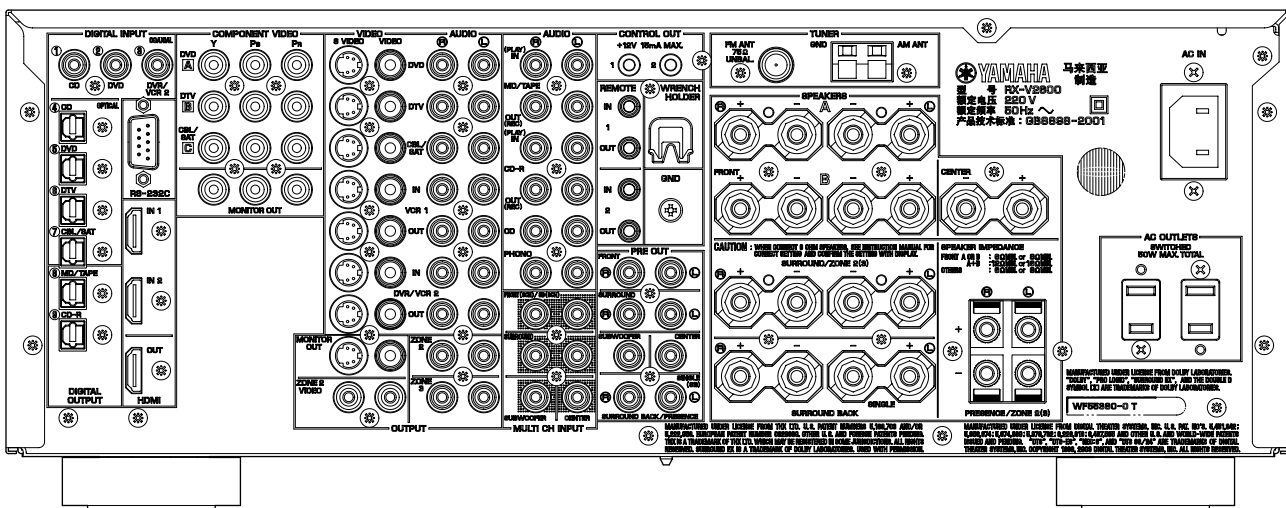
RX-V2600 (U, C models)



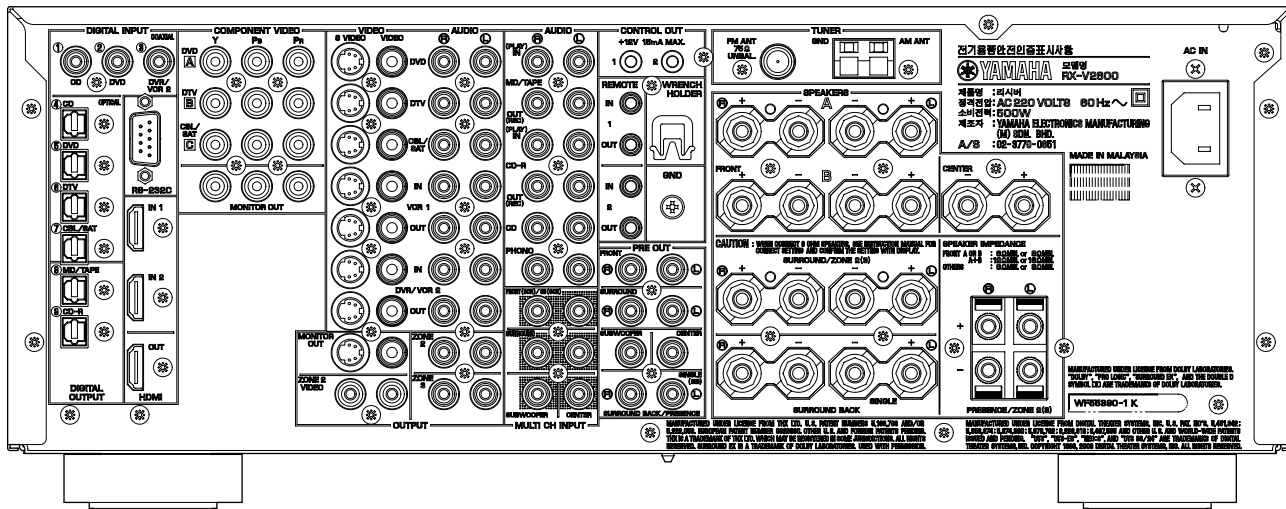
RX-V2600 (R model)



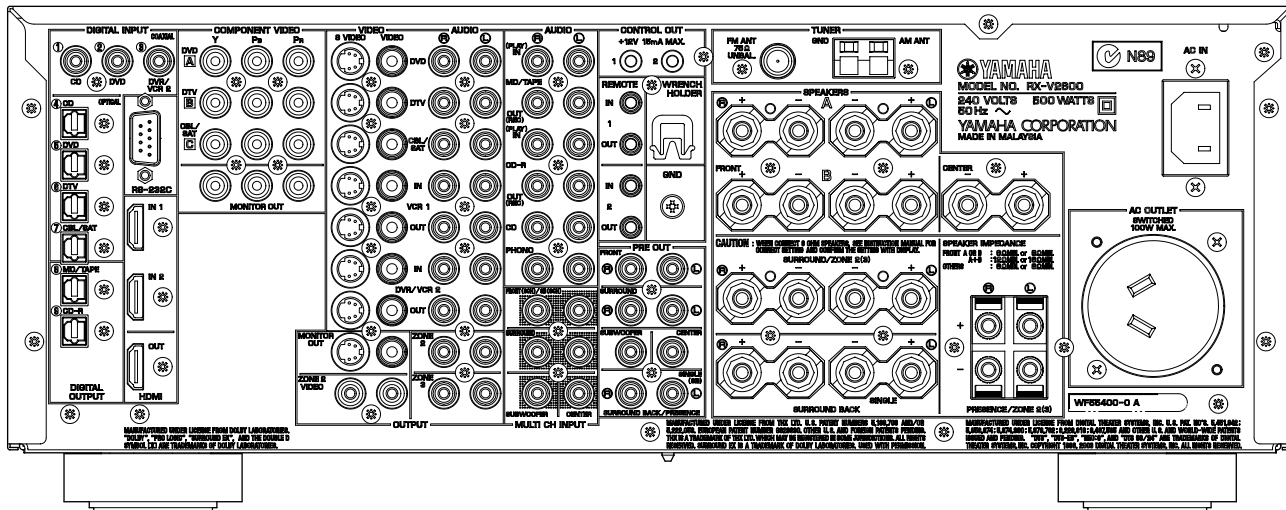
RX-V2600 (T model)



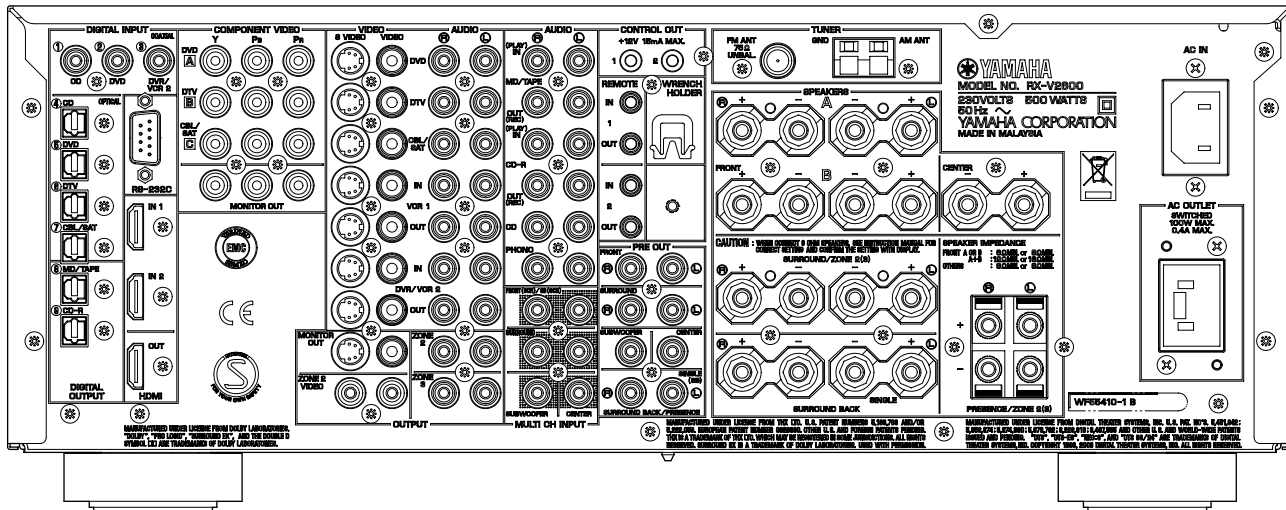
RX-V2600 (K model)



RX-V2600 (A model)

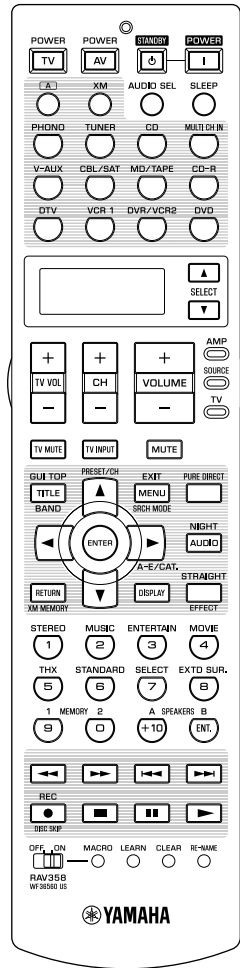


RX-V2600 (B model)

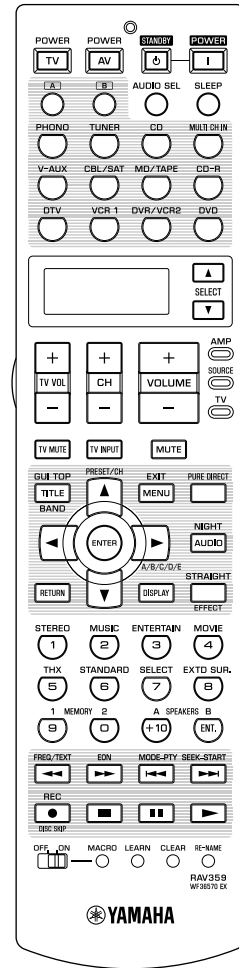


REMOTE CONTROL PANELS

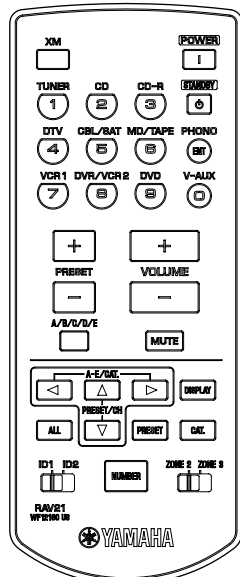
RX-V2600 (U, C models)



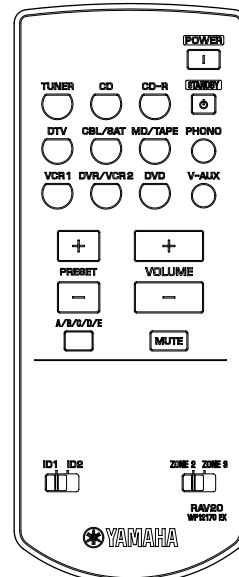
RX-V2600 (R, T, K, A, B, G, L models)
DSP-AX2600 (J model)



RX-V2600 (U, C models)



RX-V2600 (R, T, K, A, B, G, L models)
DSP-AX2600 (J model)



■ SPECIFICATIONS / 参考仕様

■ Audio Section / オーディオ部

Minimum RMS Output Power (Power Amp. Section) / 定格出力 (パワーアンプ部) (20 Hz to 20 kHz)

FRONT L/R	
U, C, R, T, K, A, B, G, L models (0.04 % THD, 8 ohms) ..	130 W + 130 W
J model (0.06 % THD, 6 ohms)	130 W + 130 W
CENTER	
U, C, R, T, K, A, B, G, L models (0.04 % THD, 8 ohms) ...	130 W
J model (0.06 % THD, 6 ohms)	130 W
SURROUND L/R	
U, C, R, T, K, A, B, G, L models (0.04 % THD, 8 ohms) .	130 W + 130 W
J model (0.06 % THD, 6 ohms)	130 W + 130 W
SURROUND BACK L/R	
U, C, R, T, K, A, B, G, L models (0.04 % THD, 8 ohms) ..	130 W + 130 W
J model (0.06 % THD, 6 ohms)	130 W + 130 W

Maximum Power / 実用最大出力 (EIAJ, 1kHz, 10 % THD)

FRONT L/R	
R, T, K, L models (8 ohms)	180 W + 180 W
J model (6 ohms)	180 W + 180 W
CENTER	
R, T, K, L models (8 ohms)	180 W
J model (6 ohms)	180 W
SURROUND L/R	
R, T, K, L models (8 ohms)	180 W + 180 W
J model (6 ohms)	180 W + 180 W
SURROUND BACK L/R	
R, T, K, L models (8 ohms)	180 W + 180 W
J model (6 ohms)	180 W + 180 W

Dynamic Power Per Channel / ダイナミックパワー (IHF)

U, C, R, T, K, A, L models (8/6/4/2 ohms) 165/205/260/340 W

Max. Power Per Channel / Max.パワー [B, G models] (1 kHz, 0.7 % THD, 4 ohms)

FRONT L/R	190 W + 190 W
CENTER	190 W
SURROUND L/R	190 W + 190 W
SURROUND BACK L/R	190 W + 190 W

Dynamic Headroom / ダイナミックヘッドルーム

U, C, R, T, K, A, L models (8 ohms) 1.11 dB

IEC Power / IECパワー [B, G models] (1 kHz, 0.04 % THD, 8 ohms)

FRONT L/R

Damping Factor / ダンピングファクタ

FRONT L/R (20 Hz to 20 kHz, SPEAKER-A, 8 ohms) 140 or more

Input Sensitivity / Input Impedance (入力感度/入力インピーダンス)

PHONO (MM)	3.5 mV / 47 k-ohms
CD, etc.	200 mV / 47 k-ohms
MULTI CH INPUT	
FRONT L/R, CENTER, SURROUND L/R, SUBWOOFER	
.....	200 mV / 47 k-ohms

Maximum Input Signal Level / 最大許容入力

PHONO (MM) (1 kHz, 0.1 % THD) 60 mV or more
 CD, etc. (1 kHz, 0.5 % THD) 2.4 V or more

Output Level / Output Impedance (出力電圧/出力インピーダンス)

REC OUT	200 mV / 1.2 k-ohms
PRE OUT (FRONT L/R, CENTER, SURROUND L/R,	
SURROUND BACK L/R)	1.0 V / 500 ohms
SUBWOOFER (20 Hz)	2.0 V / 500 ohms
ZONE 2 OUT	1.0 V / 1.2 k-ohms
ZONE 3 OUT	1.0 V / 1.2 k-ohms

Headphone Jack Rated Output / Impedance (ヘッドフォン出力/出力インピーダンス)

CD, etc. (1 kHz, 40 mV, 8 ohms) 150 mV / 100 ohms

Frequency Response / 周波数特性

CD, etc. to FRONT L/R (10 Hz to 100 kHz) +0/-3.0 dB

RIAA Equalization Deviation / RIAA偏差

20 Hz to 20 kHz, PHONO (MM) 0±0.5 dB

Total Harmonic Distortion / 全高調波歪率 (20 Hz to 20 kHz)

PHONO (MM) to REC OUT (1V) 0.02% or less
 CD, etc. (STEREO) to FRONT L/R SP OUT (65 W, 8 ohms) 0.04% or less

Signal to Noise Ratio / 信号対雑音比 (IHF-A network)

PHONO (MM) (Input shorted) to SP OUT	
U, C models (5 mV)	86 dB or more
R, T, K, A, B, G, L models (5 mV)	81 dB or more
J model (2.5 mV)	80 dB or more
CD, etc. (Input shorted, STEREO) to SP OUT	
250 mV	100 dB or more

Residual Noise / 残留ノイズ (IHF-A network)

FRONT L/R SP OUT 150 μV or less

Channel Separation / チャンネルセパレーション (STEREO)

PHONO (Input shorted, 1 kHz/10 kHz) 60 dB or more/55 dB or more
 CD, etc. (Input 5.1 k-ohms shorted, 1 kHz/10 kHz) .. 60 dB or more/45 dB or more

Tone Control Characteristics / トーンコントロール特性

BASS	
Boost/Cut	±6 dB (50 Hz)
Turnover Frequency	350 Hz
TREBLE	
Boost/Cut	±6 dB (20 kHz)
Turnover Frequency	3.5 kHz

ZONE2, ZONE3 Tone Control Characteristics /

ZONE2, ZONE3 トーンコントロール特性

BASS	
Boost/Cut	±10 dB (100 Hz)
Turnover Frequency	450 Hz
TREBLE	
Boost/Cut	±10 dB (20 kHz)
Turnover Frequency	1.5 kHz

Filter Characteristics / フィルター特性

FRONT, CENTER, SURROUND, SURROUND BACK SP Small (H.P.F.)
 fc=40/60/80/90/100/110/120/160/200 Hz / 12 dB oct.
 SUBWOOFER (L.P.F.)
 fc=40/60/80/90/100/110/120/160/200 Hz / 24 dB oct.

■ Video Section / ビデオ部

Video Signal Type / ビデオ信号方式

Monitor Out (Wall Paper)/ZONE2 Video Out (Gray Back)	
U, C, R, K, J models	NTSC
T, A, B, G, L models	PAL
Video Conversion	NTSC/PAL

Composite Video Signal Level / コンポジットビデオ信号

..... 1 Vp-p / 75 ohms

S-Video Signal Level / Sビデオ信号

Y 1 Vp-p / 75 ohms
 C 0.286 Vp-p / 75 ohms

Component Video Signal Level / コンポーネントビデオ信号

Y 1 Vp-p / 75 ohms
 Pb/Pr 0.7 Vp-p / 75 ohms

Video Maximum Input Level / ビデオ最大許容入力

..... 1.5 Vp-p or more

Video Signal to Noise Ratio / ビデオ信号対雑音比

..... 60 dB or more

Monitor Out Frequency Response / モニターアウト周波数帯域

Component Video Signal 5 Hz to 100 MHz, ±3 dB
 D5-Video Signal (J model) 5 Hz to 100 MHz, ±3 dB

■ FM Section / FM部

Tuning Range / 受信周波数範囲

U, C models 87.5 to 107.9 MHz
 R, L models 87.5 to 108.0 / 87.50 to 108.00 MHz
 T, K, A, B, G models 87.50 to 108.00 MHz
 J model 76.0 to 90.0 MHz

50dB Quieting Sensitivity / 50dB SN感度 (IHF) (1 kHz, 100 % MOD.)

Mono 2.0 μV (17.3 dBf)
 Stereo 25 μV (39.2 dBf)

Usable Sensitivity / 実用感度 (IHF)

Mono 1.0 μV (11.2 dBf)

Selectivity / 選択度

at 400 kHz 70 dB

Signal to Noise Ratio / 信号対雑音比 (IHF)

Mono 76 dB
 Stereo 70 dB

Harmonic Distortion / 歪率 (1 kHz)

Mono 0.2 %
 Stereo 0.3 %

Stereo Separation / ステレオセパレーション (1 kHz)

..... 42 dB

Frequency Response / 周波数特性 (20 Hz to 15 kHz)

..... +0.5 / -2 dB

Antenna Input / アンテナ入力

..... 75 ohms unbalanced

■ AM Section / AM部

Tuning Range / 受信周波数範囲

U, C models 530 to 1,710 kHz
 R, L models 530 to 1,710 / 531 to 1,611 kHz
 T, K, A, B, G, J models 531 to 1,611 kHz

Usable Sensitivity / 実用感度

..... 300 μV/m

Antenna Input / アンテナ入力

..... Loop Antenna

■ General / 総合

Power Supply / 電源電圧

U, C models AC 120 V, 60 Hz
 R, L models AC 110/120/220/230-240 V, 50/60 Hz
 T model AC 220 V, 50 Hz
 K model AC 220 V, 60 Hz
 A model AC 240 V, 50 Hz
 B, G models AC 230 V, 50 Hz
 J model AC 100 V, 50/60 Hz

Power Consumption / 消費電力

U, C models 500 W / 630 VA
 R, T, K, A, B, G, L models 500 W
 J model 450 W

Standby Power Consumption (reference data) / 待機時消費電力(参考値)

U, C, T, K, A, B, G, L, J models 0.1 W or less
 R model (AC 240 V / 50 Hz) 0.33 W or less

Maximum Power Consumption / 最大消費電力 (6ch Drive, 10% THD)

R model 1100 W

AC Outlets / ACアウトレット

2 switched outlets
 U, C models 100 W max. total / 0.8 A max. total
 R, T, L models 50 W max. total
 G model 100 W max. total / 0.4 A max. total
 J model 100 W max. total
 1 switched outlet
 A model 100 W max. total
 B model 100 W max. total / 0.4 A max. total

Dimensions / 寸法 (W x H x D)

..... 435 x 171 x 438.5 mm (17-1/8" x 6-3/4" x 17-1/4")

Weight / 質量

RX-V2600 17.4 kg (38 lbs. 6 oz.)
 DSP-AX2600 19.8 kg (43 lbs. 10 oz.)

Finish / 仕上げ

Gold color R, T, K, L, J models
 Black color U, C, R, A, G models
 Titanium color C, T, B, G, L models

Accessories / 付属品

Remote Control x 1, Zone Remote Control x 1, Batteries (Alkaline Dry) x 6, Indoor FM Antenna x 1, AM Loop Antenna x 1, Antenna Adapter PAL x 1 (B model), Power Cable x 1 (U, C, R, T, K, A, B, G, J models) / x 2 (L model), Speaker Terminal Wrench x 1, Optimizer Microphone x 1

* Specifications are subject to change without notice due to product improvements.

※ 参考仕様および外観は予告なく変更されることがあります。

U U.S.A. model C Canadian model
 R General model T Chinese model
 K Korean model A Australian model
 B British model G European model
 L Singapore model J Japanese model



Manufactured under license from Dolby Laboratories. "Dolby", "Surround EX", and the double-D symbol are trademarks of Dolby Laboratories.

ドルビーラボラトリーズからの実施権に基づき製造されています。「ドルビー」、[PRO LOGIC]、[Surround EX]およびダブルD記号は、ドルビーラボラトリーズの商標です。



"DTS", "DTS-ES", "Neo:6" and "DTS 96/24" are trademarks of Digital Theater Systems, Inc.

DTS, DTS-ES Extended Surround, Neo:6およびDTS 96/24はデジタルシアターシステムズの登録商標です。



"HDMI", the "HDMI" logo and "High-Definition Multimedia Interface" are trademarks or registered trademarks of HDMI Licensing LLC.

HDMI、HDMIロゴおよびHigh-Definition Multimedia Interfaceは、HDMI Licensing LLCの商標または、登録商標です。



"SILENT CINEMA" is a trademark of YAMAHA CORPORATION.

「サイレントシネマ/SILENT CINEMA」はヤマハ株式会社の登録商標です。



The THX logo is a trademark of THX Ltd. which may be registered in some jurisdictions. All rights reserved.

THXとTHXロゴはTHXの登録商標です。不許複製。



READY

© 2005 XM Satellite Radio Inc. All rights reserved. All other trademarks are the property of their respective owners.

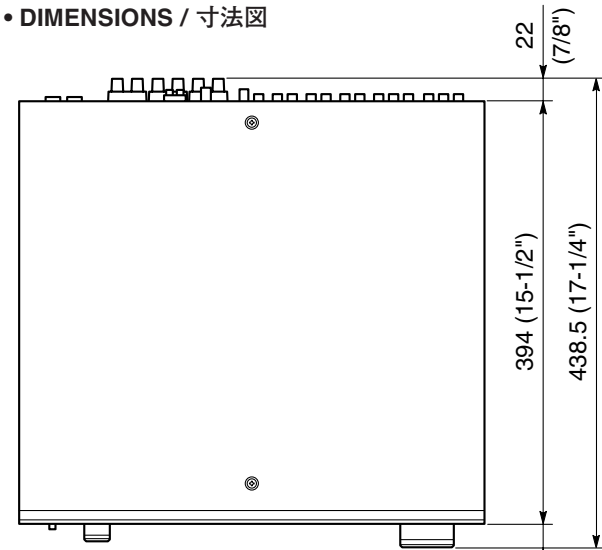


Circle Surround II、SRSと記号はSRS Labs, Inc.の商標です。

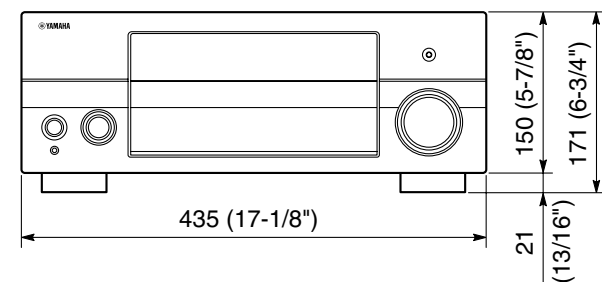


AACロゴマークはドルビーラボラトリーズの商標です。

• DIMENSIONS / 寸法図



Unit: mm (inch)
 単位: mm (インチ)



• SOUND/SURROUND SELECT MENU

Sound Select Min./Max./Step 最小/最大/Step

Main Menu	Parameter	Center Level	Surround Level	Surround R Level	Surround L Level	Surround R Level	Surround L Level	Presence R Level	Presence L Level	Initialize	DIRECT
STEREO	2ch Stereo	100	100	100	100	35 (LRG1)	35 (LRG2)	33	33	NO	AUTO
	7ch Stereo	100	100	100	100	35 (LRG1)	35 (LRG2)	33	33	NO	AUTO

Surround Select Min./Max./Step 最小/最大/Step

Decode Type	DSP Level	Init. Delay	Room Size	Room Size	Room Size	Room Size	Sur. Room Size	Sur. Room Size	SB Init. Delay	SB Init. Delay	SB Room Size	SB Room Size	Rev. Time	Rev. Delay	Rev. Delay	Rev. Level	Dialogue Lift	Initialize
MUSIC	0	30	1.0	1.0	1.0	1.0	1.0	1.0	1.0	1.0	1.0	1.0	1.0	1.0	1.0	0	0	NO
	0	30	1.0	1.0	1.0	1.0	1.0	1.0	1.0	1.0	1.0	1.0	1.0	1.0	1.0	0	0	NO
	0	95	1.0	1.0	1.0	1.0	1.0	1.0	1.0	1.0	1.0	1.0	1.0	1.0	1.0	70	0	NO
	0	30	1.0	1.0	1.0	1.0	1.0	1.0	1.0	1.0	1.0	1.0	1.0	1.0	1.0	0	0	NO
	0	15	1.0	1.0	1.0	1.0	1.0	1.0	1.0	1.0	1.0	1.0	1.0	1.0	1.0	9	0	NO
	0	21	1.0	1.0	1.0	1.0	1.0	1.0	1.0	1.0	1.0	1.0	1.0	1.0	1.0	0	0	NO
	0	28	1.0	1.0	1.0	1.0	1.0	1.0	1.0	1.0	1.0	1.0	1.0	1.0	1.0	0	0	NO
	0	10	1.0	1.0	1.0	1.0	1.0	1.0	1.0	1.0	1.0	1.0	1.0	1.0	1.0	4	0	NO
	0	69	1.0	1.0	1.0	1.0	1.0	1.0	1.0	1.0	1.0	1.0	1.0	1.0	1.0	2	0	NO
	0	36	1.0	1.0	1.0	1.0	1.0	1.0	1.0	1.0	1.0	1.0	1.0	1.0	1.0	0	0	NO
	0	26	1.0	1.0	1.0	1.0	1.0	1.0	1.0	1.0	1.0	1.0	1.0	1.0	1.0	4	0	NO
	0	13	1.0	1.0	1.0	1.0	1.0	1.0	1.0	1.0	1.0	1.0	1.0	1.0	1.0	0	0	NO
	0	13	1.0	1.0	1.0	1.0	1.0	1.0	1.0	1.0	1.0	1.0	1.0	1.0	1.0	0	0	NO
	0	13	1.0	1.0	1.0	1.0	1.0	1.0	1.0	1.0	1.0	1.0	1.0	1.0	1.0	0	0	NO
	0	16	1.0	1.0	1.0	1.0	1.0	1.0	1.0	1.0	1.0	1.0	1.0	1.0	1.0	0	0	NO
	0	16	1.0	1.0	1.0	1.0	1.0	1.0	1.0	1.0	1.0	1.0	1.0	1.0	1.0	0	0	NO
	0	16	1.0	1.0	1.0	1.0	1.0	1.0	1.0	1.0	1.0	1.0	1.0	1.0	1.0	0	0	NO
	0	15	1.0	1.0	1.0	1.0	1.0	1.0	1.0	1.0	1.0	1.0	1.0	1.0	1.0	0	0	NO
	0	15	1.0	1.0	1.0	1.0	1.0	1.0	1.0	1.0	1.0	1.0	1.0	1.0	1.0	0	0	NO
	0	15	1.0	1.0	1.0	1.0	1.0	1.0	1.0	1.0	1.0	1.0	1.0	1.0	1.0	0	0	NO
	0	15	1.0	1.0	1.0	1.0	1.0	1.0	1.0	1.0	1.0	1.0	1.0	1.0	1.0	0	0	NO
	0	15	1.0	1.0	1.0	1.0	1.0	1.0	1.0	1.0	1.0	1.0	1.0	1.0	1.0	0	0	NO

Main Menu	Sub Menu	Parameter	Setting value	Initial value / 設定値	Initial value / 設定値
THX	Cinema	Decode Type	[Pro Logic]	[Pro Logic]	[Pro Logic]
			Neo : 6	Neo : 6	Neo : 6
SURROUND	MUSIC GAME Standard	Decode Type	[Pro Logic]	[Pro Logic]	[Pro Logic]
			PL II x Movie	PL II x Music	PL II x Game
			Neo : 6 Cinema	Neo : 6 Music	Neo : 6 Cinema
			CS II Cinema	CS II Music	CS II Cinema
			[OFF] / ON	[OFF] / ON	[OFF] / ON
			-3 / +3 / 1 [STD]	0 / 7 / 1 [3]	0 / 7 / 1 [3]
			0.0 / 1.0 / 0.1 [0.3]	0.0 / 1.0 / 0.1 [0.3]	0.0 / 1.0 / 0.1 [0.3]
			0 / 8 / 1 [0]	0 / 8 / 1 [0]	0 / 8 / 1 [0]
			Tru Bass	0 / 8 / 1 [0]	0 / 8 / 1 [0]
			Initialize	[NO] / YES	[NO] / YES
STRAIGHT	Enhanced	Decode Type	Pro Logic	Pro Logic	Pro Logic
			Neo 6	Neo 6	Neo 6

(DSP-AX2600 model / DSP-AX2600モデルのみ)
 (Setting can be made when Pro Logic II x is selected / Pro Logic II x 選択時 設定可)
 (Setting can be made when Neo:6 Music is selected / Neo:6 Music 選択時 設定可)
 (DSP-AX2600 model / DSP-AX2600モデルのみ)

Parameter	Decode Type	DSP Level	Sur. Init. Delay	Sur. Room Size	Sur. Room Size	SB Room Size	SB Room Size	SB Liveness	Dialogue Lift	Initialize
Enhanced	Pro Logic	0	20	1.0	1.0	1.0	1.0	(1.0)	(0)	NO
	Pro Logic II x	0	19	1.0	1.0	1.0	1.0	5	(0)	NO
	Neo 6	0	19	1.0	1.0	1.0	1.0	5	(0)	NO

• SET MENU TABLE / セットメニュー
AUTO SETUP

MAIN MENU	PARAMETER	SETTING VALUE ([] INITIAL VALUE)
INFORMATION	WIRING	NRM / REV / ---
	DISTANCE	xx. x (UNIT: [m] / ft)
	SIZE	LRG / SML / ---
	EQUALIZING	(GRAPHIC DISPLAY)
	LEVEL	x. xdB (FRONT L/R, CENTER, SUR. L/R, SB. L/R, PRES L/R, SUB W.)
SETUP MENU	WIRING	SKIP / [CHECK]
	DISTANCE	SKIP / [CHECK]
	SIZE	SKIP / [CHECK]
	EQUALIZING	SKIP / [CHECK: NATURAL] / :FLAT / :FRONT
	LEVEL	SKIP / [CHECK]
SETUP TYPE		[AUTO] / STEP
START		ENTER

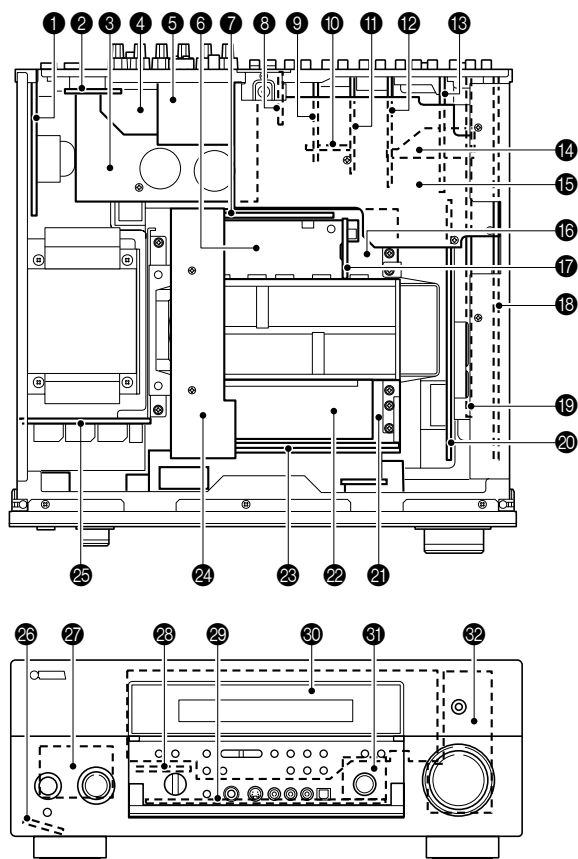
MANUAL SETUP

MAIN MENU	SUB MENU	PARAMETER	SETTING VALUE ([] INITIAL VALUE)	
SOUND	LFE LEVEL	SPEAKER	-20dB ~ 0dB, 1dB step [0.0dB]	
		HEADPHONE	-20dB ~ 0dB, 1dB step [0.0dB]	
	DYNAMIC RANGE	SPEAKER	[MAX] / STD / MIN	
		HEADPHONE	[MAX] / STD / MIN	
	PARAMETRIC EQ	Test Tone	[OFF] / ON	
		FRONT L	(GRAPHIC DISPLAY) PARAM / RESET / EDIT / EXIT	
		FRONT R		
		CENTER		
		SURROUND L		
		SURROUND R		
		SURROUND BACK L		BAND / GAIN / FREQUENCY / Q FACTOR
		SURROUND BACK R		
		PRESENCE L		
		PRESENCE R		
	TONE CONTROL	CONTROL	[SPEAKERS] / HEADPHONES	
		BASS FREQUENCY	125Hz / [350Hz] / 500Hz	
		BASS GAIN	-6dB ~ +6dB, 0.5dB step [0.0dB]	
		TREBLE FREQUENCY	2.5kHz / [3.5kHz] / 8.0kHz	
		TREBLE GAIN	-6dB ~ +6dB, 0.5dB step [0.0dB]	
		AUTO BYPASS	[AUTO] / OFF	
	AUDIO OPTION	MUTING TYPE	[FULL] / -20dB	
		AUDIO DELAY	[0ms] ~ 240ms	
		Max Volume	[16.5dB]/15dB/10dB/5dB/0dB/-5dB/-10dB/-15dB/-20dB/-25dB/-30dB	
		INITIAL VOLUME	[OFF], -80dB ~ +16.5, 0.5dB step	
		PR. / SB. PRIORITY	PRESENCE / [SURROUND BACK]	
		DUAL MONO (J model)	ALL / [MAIN] / SUB	
	CHANNEL MUTE	MODE	[OFF] / ON	
		FRONT L	[MUTE] / OFF	
		FRONT R		
		CENTER		
		SURROUND L		
		SURROUND R		
		SURROUND BACK L		
		SURROUND BACK R		
		PRESENCE L		
		PRESENCE R		
		SUBWOOFER		
	VIDEO	CONVERSION		OFF / [ON]
		COMPONENT I/P	[OFF] / ON	
		HDMI UP-SCALING	NTSC: THROUGH / [480p] / 1080i / 720p PAL: THROUGH / [576p] / 1080i / 720p	
		HDMI ASPECT	[THROUGH] / 16:9 NORMAL	
SHORT MESSAGE		OFF / [ON]		
POSITION		X: -5 ~ +5, 1 step [0], Y: -5 ~ +5, 1 step [0]		
WALL PAPER		NONE / [YES] / GRAY		

MAIN MENU	SUB MENU	PARAMETER	SETTING VALUE ([] INITIAL VALUE)	
BASIC	TEST TONE		[OFF] / ON	
	SPEAKER SET	FRONT	LARGE / [SMALL]	
		CENTER	LARGE / [SMALL] / NONE	
		SURROUND	LARGE / [SMALL] / NONE	
		SURROUND BACK	LARGE x2 / [SMALL x2] / LARGE x1 / SMALL x1 / NONE	
		PRESENCE	YES / [NONE]	
		BASS OUT	BOTH / [SWFR] / FRONT	
		BASS CROSS OVER	40Hz / 60Hz / [80Hz(THX)] / 90Hz / 100Hz / 110Hz / 120Hz / 160Hz / 200Hz	
		SWFR PHASE	[NORMAL] / REVERSE	
		SPEAKER DISTANCE	FRONT L	0.3 ~ 24.0m, 0.1m step [3.00m] / 1.0 ~ 80.0ft, 0.5ft step [10.0ft]
			FRONT R	
	CENTER			
	SURROUND L			
	SURROUND R			
	SURROUND BACK L			
	SURROUND BACK R			
	PRESENCE L			
	PRESENCE R			
	SUBWOOFER			
	SPEAKER LEVEL	FRONT L	-10.0 ~ +10.0dB, 0.5dB step [0.0dB]	
		FRONT R		
		CENTER		
		SURROUND L		
		SURROUND R		
		SURROUND BACK L		
		SURROUND BACK R		
		SUBWOOFER		
	THX Set	SB Speaker Dist.	METER: UNDER 0.3m / [0.3-1.2m] / OVER 1.2m FEET: UNDER 1ft / [1-4ft] / OVER 4ft	
	OPTION	DIMMER		-4 ~ 0 [0]
		MULTI ZONE	SPEAKER B	[MAIN] / ZONE B
			ZONE2 AMPLIFIER	[EXT] / INT: SUR. / INT: PRNS / INT: BOTH
			ZONE3 AMPLIFIER	[EXT] / INT: SUR. / INT: PRNS / INT: BOTH
			ZONE2 VOLUME	FIXED / [VARIABLE]
			ZONE3 VOLUME	FIXED / [VARIABLE]
			ZONE2 OSD	OFF / ZONE2 / [ZONE2 & ZONE3]
SUR. INITIALIZE			[STEREO] / MUSIC / ENTERTAINMENT / MOVIE THEATER / SURROUND / ALL	
AUDIO SELECT			[AUTO] / LAST	
DECODER MODE			[AUTO] / LAST	
MEMORY GUARD		ON / [OFF]		
HDMI SET	SUPPORT AUDIO	[RX-V2600 (DSP-AX2600)] / OTHER		

INTERNAL VIEW

RX-V2600/DSP-AX2600



- ❶ POWER (2) P.C.B.
- ❷ POWER (6) P.C.B. (R, L models)
- ❸ MAIN (1) P.C.B.
- ❹ MAIN (5) P.C.B.
- ❺ TUNER
- ❻ MAIN (3) P.C.B.
- ❼ POWER (4) P.C.B.
- ❽ INPUT (3) P.C.B.
- ❾ INPUT (1) P.C.B.
- ❿ INPUT (4) P.C.B.
- ⓫ INPUT (2) P.C.B.
- ⓬ A-VIDEO (2) P.C.B.
- ⓭ A-VIDEO (1) P.C.B.
- ⓮ INPUT (5) P.C.B.
- ⓯ FUNCTION (1) P.C.B.
- ⓰ MAIN (2) P.C.B.
- ⓱ POWER (7) P.C.B.
- ⓲ DSP P.C.B.
- ⓳ D-VIDEO P.C.B.
- ⓴ FUNCTION (2) P.C.B.
- ⓵ MAIN (4) P.C.B.
- ⓶ POWER (5) P.C.B.
- ⓷ POWER (1) P.C.B.
- ⓸ OPERATION (6) P.C.B.
- ⓹ POWER (3) P.C.B.
- ⓺ OPERATION (5) P.C.B.
- ⓻ OPERATION (1) P.C.B.
- ⓼ OPERATION (7) P.C.B.
- ⓽ OPERATION (3) P.C.B.
- ⓿ INPUT (6) P.C.B.
- ⓾ OPERATION (4) P.C.B.
- ⓿ OPERATION (2) P.C.B.

■ DISASSEMBLY PROCEDURES / 分解手順

(Remove parts in the order as numbered.)

Disconnect the power cable from the AC outlet.

(番号順に部品を取り外してください。)

AC電源コンセントから、電源コードを抜いてください。

1. Removal of Top Cover

- a. Remove 2 screws (①), 4 screws (②) and 5 screws (③). (Fig. 1)
- b. Slide the Top Cover rearward to remove it. (Fig. 1)

1. トップカバーの外し方

- a. ①のネジ2本、②のネジ4本、③のネジ5本を外します。(Fig. 1)
- b. トップカバーを後方へスライドさせ、取り外します。(Fig. 1)

2. Removal of Front Panel

Remove 6 screws (④) and then remove the Front Panel Unit forward. (Fig. 1)

2. フロントパネルの外し方

④のネジ6本を外し、フロントパネルを前方に外します。(Fig. 1)

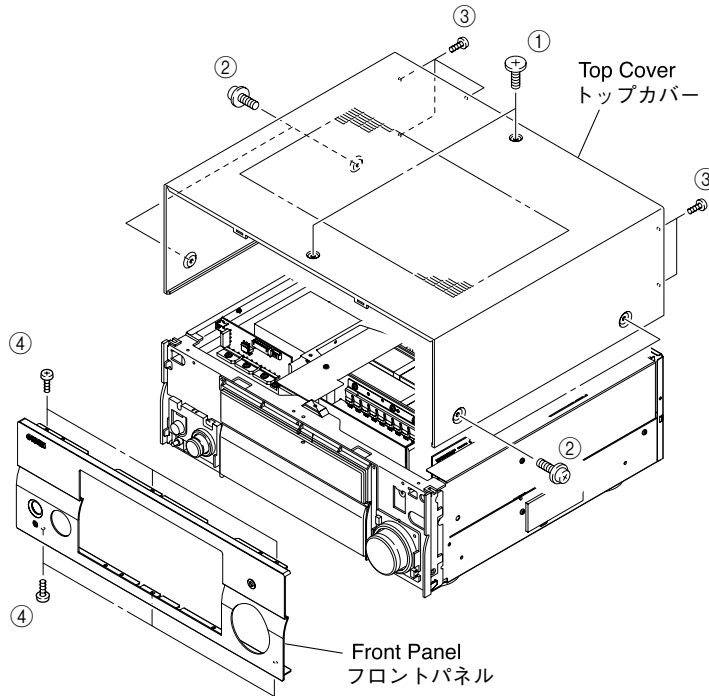


Fig. 1

3. Removal of Sub Chassis

- a. Remove 4 push rivets (⑤) and then remove the Side Plates L/R. (Fig. 2)
- b. Remove 2 screws (⑥), 2 screws (⑦) and 3 screws (⑧). (Fig. 2)
- c. Remove CB2, CB14, CB904 ~ CB907, and CB913. (Fig. 3)
- d. Remove the Sub Chassis forward. (Fig. 2)

3. サブシャーシの外し方

- a. ⑤のプッシュリベット4本を外し、サイドプレートL/Rを取り外します。(Fig. 2)
- b. ⑥のネジ2本、⑦のネジ2本、⑧のネジ3本を外します。(Fig. 2)
- c. CB2、CB14、CB904～CB907、CB913を外します。(Fig. 3)
- d. サブシャーシを前方に取り外します。(Fig. 2)

4. Removal of FUNCTION (1) P.C.B.

- a. Remove 4 screws (⑨) and then remove the Bracket. (Fig. 2)
- b. Remove 1 screw (⑩) and then remove the Support Top. (Fig. 2)
- c. Remove 1 screw (⑪) and 4 screws (⑫). (Fig. 3)
- d. Remove CB301 and CB303 ~ CB306. (Fig. 3)
- e. Remove the FUNCTION (1) P.C.B. which is connected directly to the lower P.C.B. with connectors. (Fig. 2)

4. FUNCTION(1)P.C.B.の外し方

- a. ⑨のネジ4本を外し、ブラケットを取り外します。(Fig. 2)
- b. ⑩のネジ1本を外し、サポートトップを外します。(Fig. 2)
- c. ⑪のネジ1本、⑫のネジ4本を外します。(Fig. 3)
- d. CB301、CB303～CB306を外します。(Fig. 3)
- e. FUNCTION(1)P.C.B.を取り外します。(Fig. 2)
但し、FUNCTION(1)P.C.B.は、下方のP.C.B.と直接コネクター接続されています。

5. Removal of DSP, FUNCTION (2), INPUT (5), D-VIDEO, A-VIDEO (1), (2) P.C.B.s

- Remove 2 push rivets (13) and then remove the Duct. (Fig. 2)
- Remove 1 screw (14). (Fig. 2)
- Remove 22 screws (15) and 2 jack screws (16). (Fig. 5)
- Remove CB40, CB44, CB307 (U, C models), CB325, CB332, CB506, CB508, CB602, CB603, CB606, CB608 and CB609. (Fig. 3)
- Remove the DSP, FUNCTION (2), INPUT (5), D-VIDEO, A-VIDEO (1) and (2) P.C.B.s. (Fig. 4)

5. DSP、FUNCTION(2)、INPUT(5)、D-VIDEO、A-VIDEO(1)、(2)P.C.B.の外し方

- 13のプッシュリベット2本を外し、ダクトを取り外します。(Fig. 2)
- 14のネジ1本を外します。(Fig. 2)
- 15のネジ26本、16のジャックスクリュー2本を外します。(Fig. 5)
- CB40、CB44、CB325、CB332、CB506、CB508、CB602、CB603、CB606、CB608、CB609を外します。(Fig. 3)
- DSP、FUNCTION(2)、INPUT(5)、D-VIDEO、A-VIDEO(1)、(2)P.C.B.を取り外します。(Fig. 4)

6. Removal of INPUT (1) ~ (4) P.C.B.s

- Remove 14 screws (17). (Fig. 5)
- Remove CB324. (Fig. 3)
- Remove the INPUT (1) ~ (4) P.C.B.s. (Fig. 4)

6. INPUT(1)~(4)P.C.B.の外し方

- 17のネジ14本を外します。(Fig. 5)
- CB324を外します。(Fig. 3)
- INPUT(1)~(4)P.C.B.を取り外します。(Fig. 4)

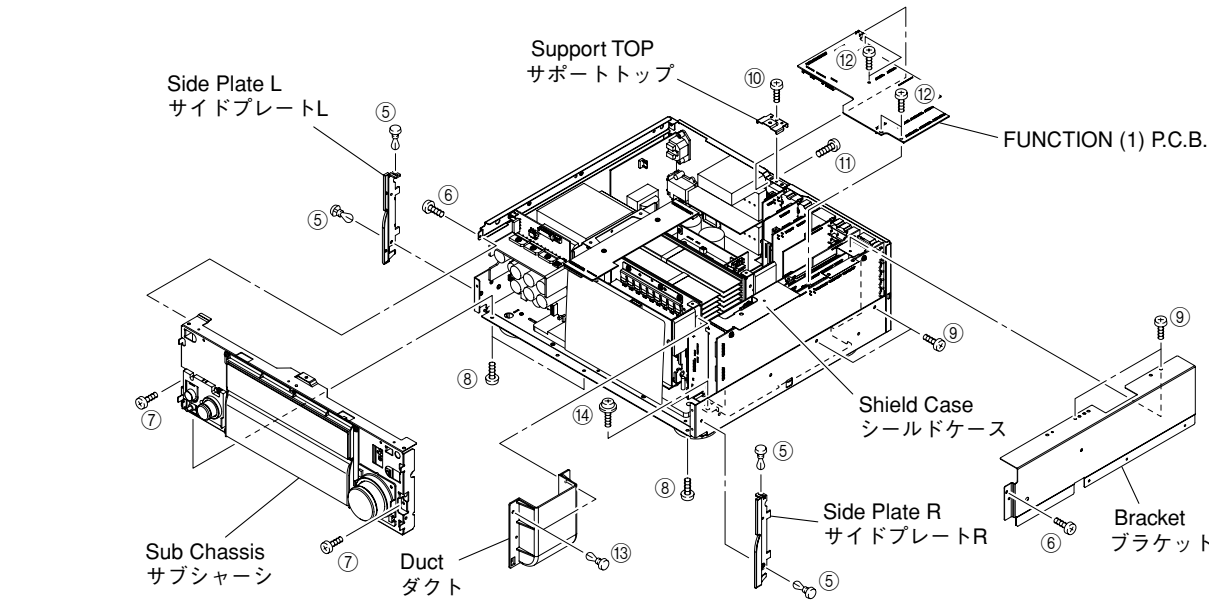


Fig. 2

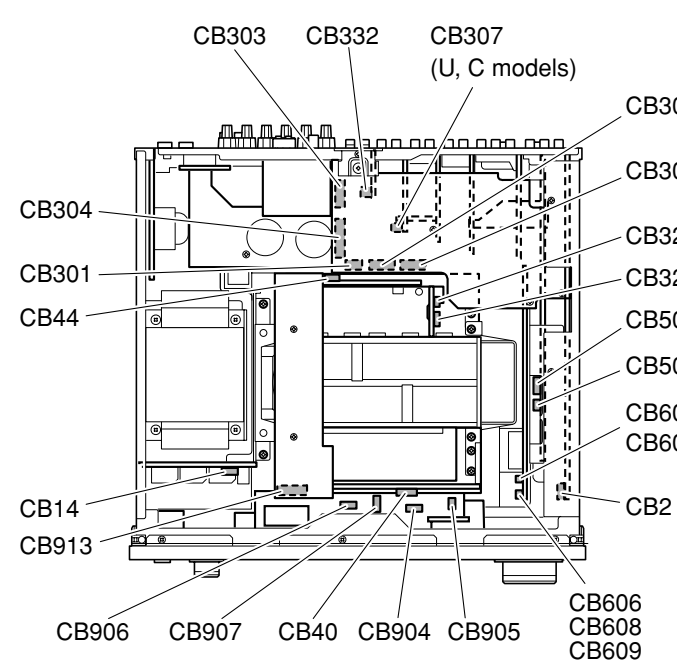


Fig. 3

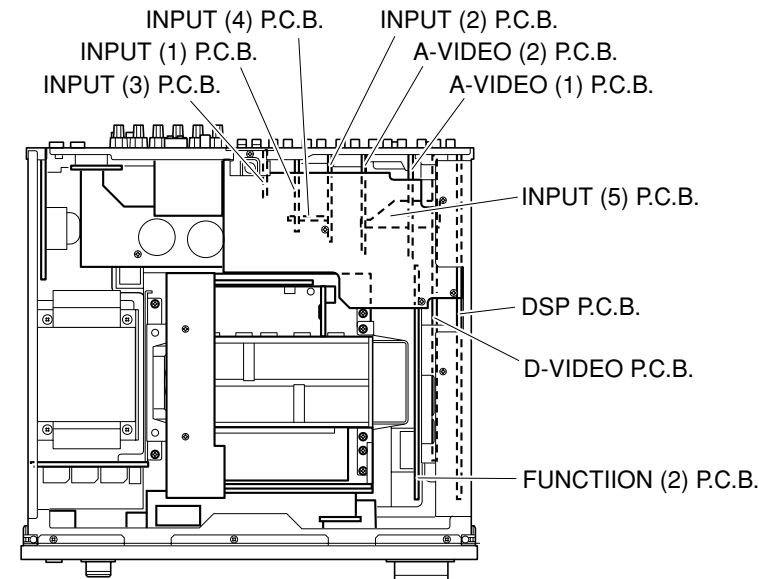
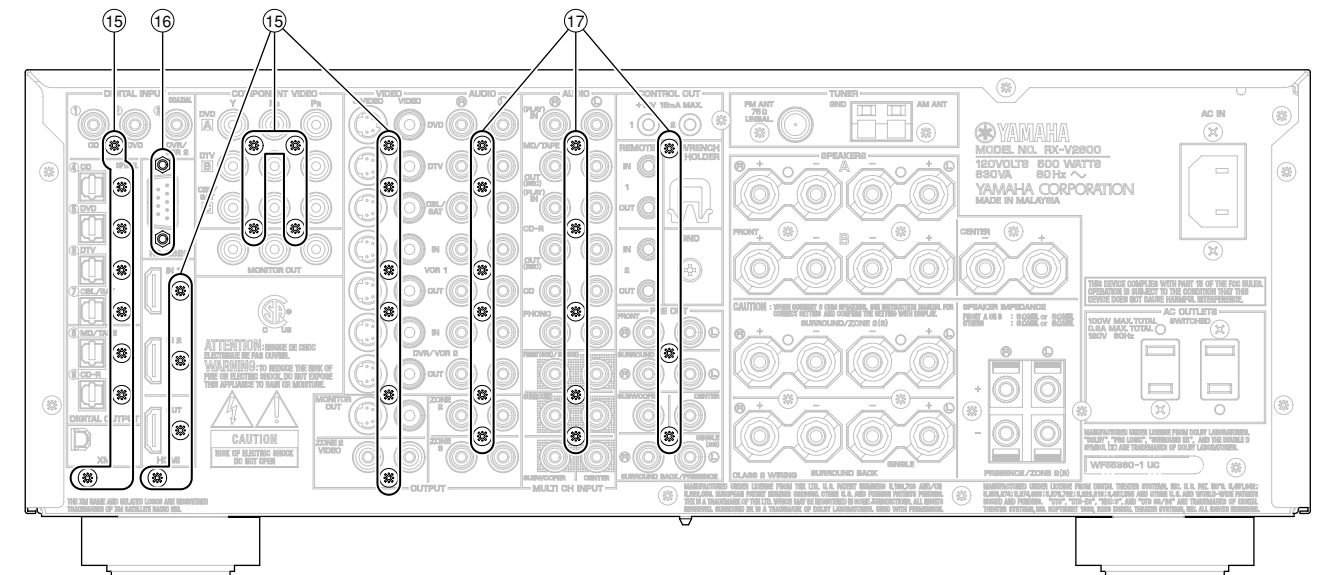


Fig. 4

U, C, R, T, K, A, B, G, L models



J model

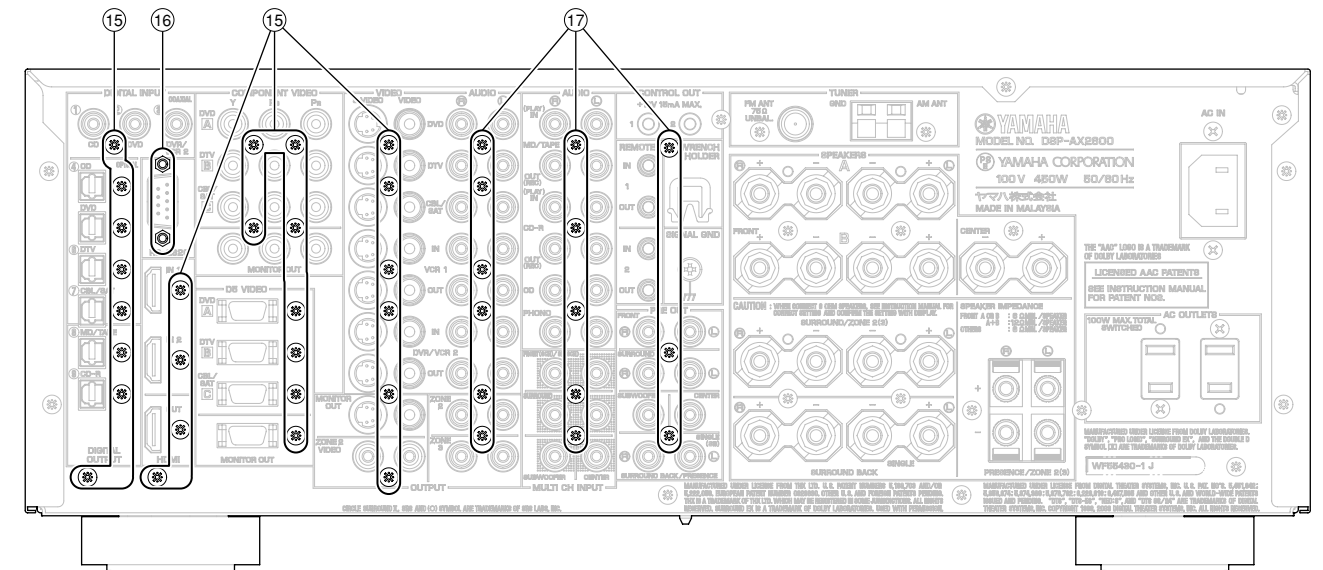


Fig. 5

When checking the P.C.B.:

- Put the Rubber Sheet and the Cloth over the equipment. Then place the P.C.B. upside down on the Cloth and check it. (Fig. A)
- Reconnect all cables (connectors) that have been disconnected.

Be sure to use the extension cable for servicing for the following section.

- DSP P.C.B. CB2 – OPERATION (2) P.C.B. CB909: MF117350 (17P 350mm)
- OPERATION (6) P.C.B. CB912 – FUNCTION (1) P.C.B. CB304: MF131500 (31P 500mm)
- FUNCTION (1) P.C.B. CB301 – POWER (2) P.C.B. W1: MF408250 (8P 250mm)
- A-VIDEO (2) P.C.B. W702 – POWER (7) P.C.B. CB325: MF404250 (4P 250mm)

- When connecting the cable, use care for the polarity.
- In this unit, the ground of P.C.B.s shown below is connected to the rear panel. When these P.C.B.s are removed from the rear panel, connect the ground to the rear panel or chassis, using a lead wire or the like. (Fig. B)

- | | |
|--------------------|--------------------------|
| DSP P.C.B. | : PJ1 (DIGITAL INPUT) |
| D-VIDEO P.C.B. | : CN301 (HDMI OUT) |
| A-VIDEO (1) P.C.B. | : PJ602 (MONITOR OUT) |
| A-VIDEO (2) P.C.B. | : JK703 (MONITOR OUT) |
| INPUT (1) P.C.B. | : PJ304 (MULTI CH INPUT) |
| INPUT (2) P.C.B. | : PJ307 (ZONE3 OUTPUT) |
| INPUT (3) P.C.B. | : PJ309 (PRE OUT) |

P.C.B.チェックをする場合には

- 本機の上にゴムシートと布を敷き、その上にP.C.B.を裏返しに置いてチェックします。(Fig. A)
- 外したケーブル(コネクタ)をすべて接続します。ただし次の区間は、サービス用延長ケーブルを使用してください。

- DSP P.C.B. CB2 – OPERATION (2) P.C.B. CB909: MF117350 (17P 350mm)
- OPERATION (6) P.C.B. CB912 – FUNCTION (1) P.C.B. CB304: MF131500 (31P 500mm)
- FUNCTION (1) P.C.B. CB301 – POWER (2) P.C.B. W1: MF408250 (8P 250mm)
- A-VIDEO (2) P.C.B. W702 – POWER (7) P.C.B. CB325: MF404250 (4P 250mm)

- ケーブルを接続する際、極性に注意してください。
- 本機では下記P.C.B.のアースがリアパネルに接続されています。これらのP.C.B.をリアパネルより取り外した場合は、リード線等でアースをリアパネルまたはシャーシに接続してください。(Fig. B)

- | | |
|--------------------|--------------------------|
| DSP P.C.B. | : PJ1 (DIGITAL INPUT) |
| D-VIDEO P.C.B. | : CN301 (HDMI OUT) |
| A-VIDEO (1) P.C.B. | : PJ602 (MONITOR OUT) |
| A-VIDEO (2) P.C.B. | : JK703 (MONITOR OUT) |
| INPUT (1) P.C.B. | : PJ304 (MULTI CH INPUT) |
| INPUT (2) P.C.B. | : PJ307 (ZONE3 OUTPUT) |
| INPUT (3) P.C.B. | : PJ309 (PRE OUT) |

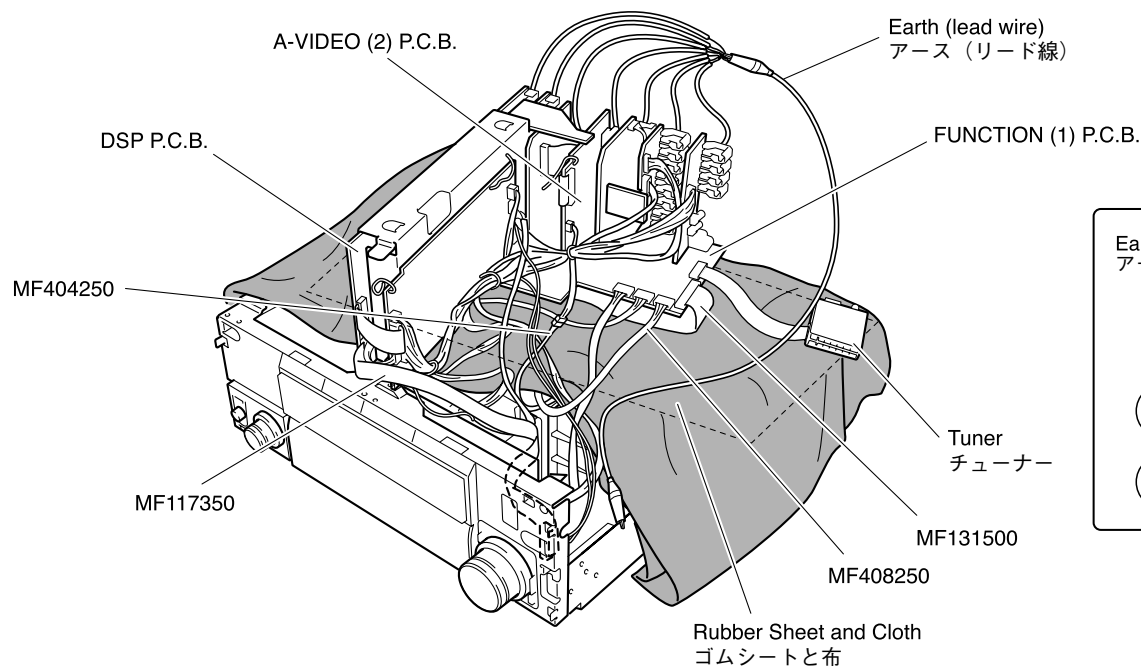


Fig. A

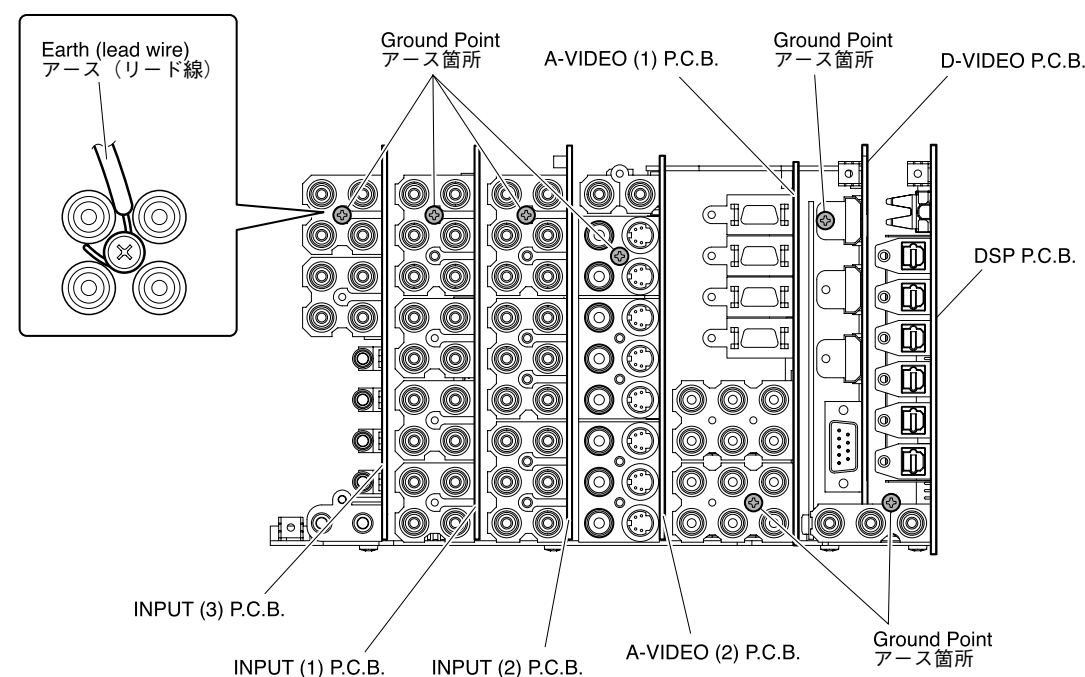


Fig. B

7. Removal of OPERATION (6) P.C.B.

- Remove 2 screws (18). (Fig. 6)
- Remove the OPERATION (6) P.C.B. which is connected directly to the lower P.C.B. with connectors. (Fig. 6)

8. Removal of Fan

- Remove 2 screws (19). (Fig. 6)
- Remove CB20. (Fig. 6)
- Remove the Fan together with the frame by lifting them up. (Fig. 6)

9. Removal of Amp Unit

- Remove 4 screws (20) and 4 screws (21). (Fig. 6)
- Remove the Amp Unit. (Fig. 6)

7. OPERATION (6) P.C.B.の外し方

- 18のネジ2本を外します。(Fig. 6)
- OPERATION (6) P.C.B.を取り外します。(Fig. 6) 但し、OPERATION (6) P.C.B.は、下方のP.C.B.と直接コネクタ接続されています。

8. ファンの外し方

- 19のネジ2本を外します。(Fig. 6)
- CB20を外します。(Fig. 6)
- ファンをフレームといっしょに上方に取り外します。(Fig. 6)

9. アンプユニットの外し方

- 20のネジ4本、21のネジ4本を外します。(Fig. 6)
- アンプユニットを取り外します。(Fig. 6)

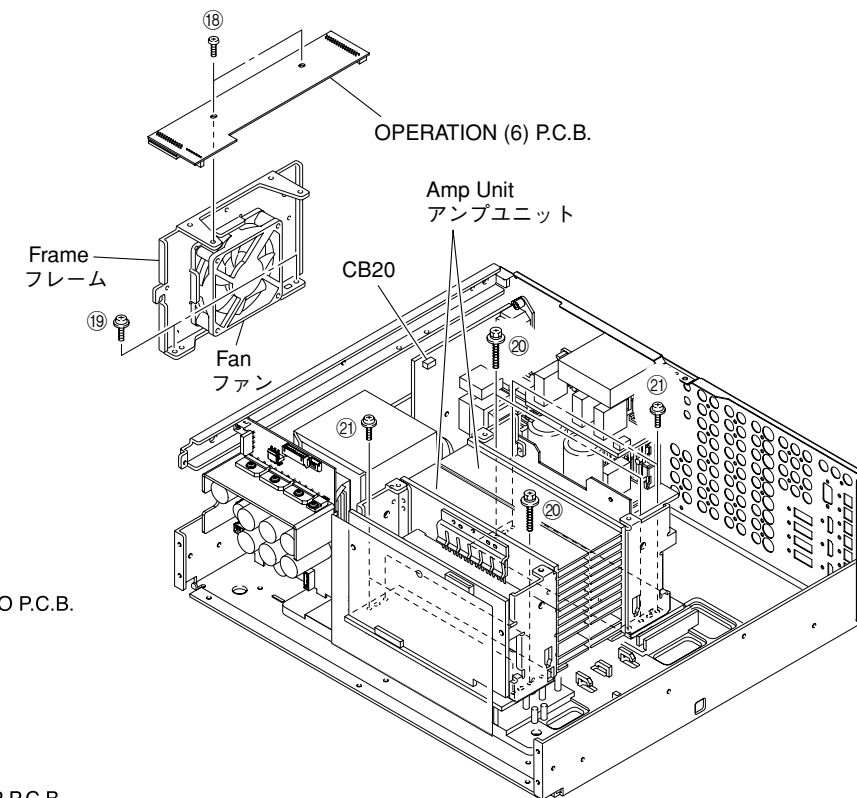


Fig. 6

When checking the Amp Unit:

- The Sub Chassis Unit put on the Rubber Sheet and the Cloth and check it. (Fig. C)
- Reconnect all cables (connectors) that have been disconnected.

Be sure to use the extension cable for servicing for the following section.

DSP P.C.B. CB2 – OPERATION (2) P.C.B. CB909:
MF117350 (17P 350mm)

INPUT (6) P.C.B. CB600 – OPERATION (6) P.C.B. CB913:
MF124500 (24P 500mm)

INPUT (6) P.C.B. W600 – POWER (3) P.C.B. CB14:
MF405400 (5P 400mm)

- When connecting the flat cable, use care for the polarity.

アンプユニットをチェックする場合には

- サブシャーシユニットをゴムシートと布の上に置いてチェックします。(Fig. C)
- 外したケーブル(コネクタ)をすべて接続します。ただし次の区間は、サービス用延長ケーブルを使用してください。

DSP P.C.B. CB2 – OPERATION (2) P.C.B. CB909:
MF117350 (17P 350mm)

INPUT (6) P.C.B. CB600 – OPERATION (6) P.C.B. CB913:
MF124500 (24P 500mm)

INPUT (6) P.C.B. W600 – POWER (3) P.C.B. CB14:
MF405400 (5P 400mm)

- フラットケーブルを接続する際、極性に注意してください。

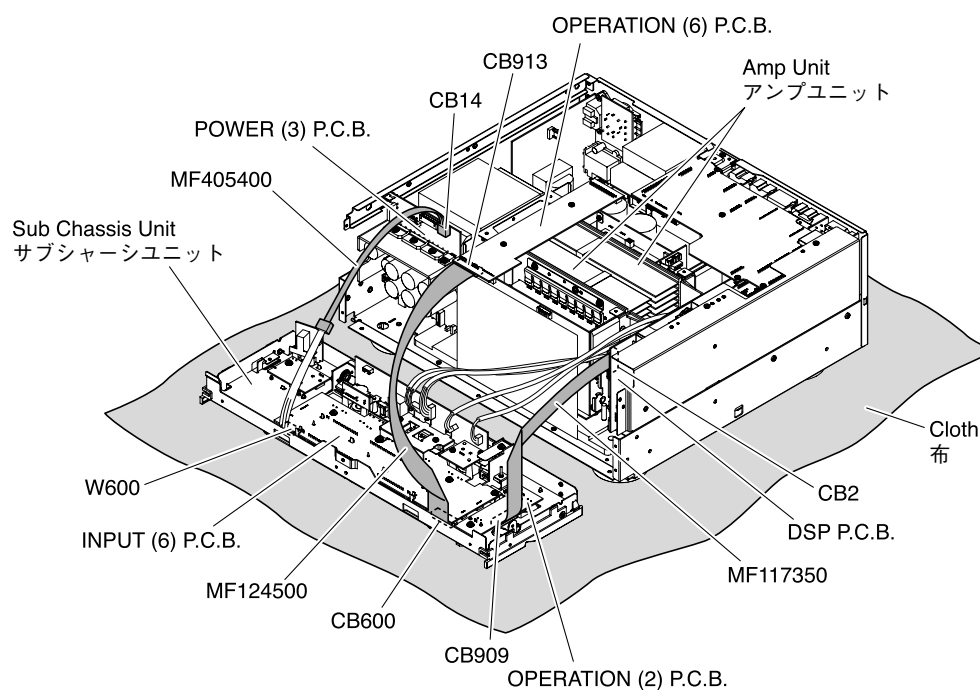


Fig. C

■ UPDATING FIRMWARE / ファームウェアの書き込み

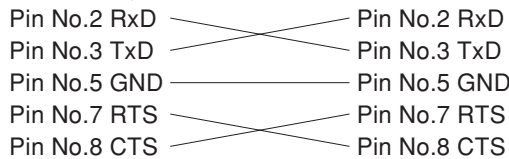
When replacing the following parts, be sure to write the updated data of the firmware.

IC301 of P.C.B. ASS'Y FUNCTION : X6909A00
 ... Writing of MAIN
 IC507 of P.C.B. ASS'Y D-VIDEO : X7220A00
 ... Writing of VIDEO
 IC542 of P.C.B. ASS'Y DSP : X7016A00
 ... Writing of DSP

● Required tools

- DOS/V machine, OS: Windows 98/2000/Me/XP, PC with a serial port (RS232C)
- Program upgrading program
 DSP_FLASHER_Vx600.exe
- Firmware
 - * Be sure to put following 3 firmwares in the same folder.
 - MAIN V26Mxxxx.mot
 - VIDEO V26Vxxxx.mot
 - DSP Vx600_verX_XX_0XXXXXXXXX.hex

- RS232C cross cable “D-sub 9 pin female”
 (Specifications)



● Preparation and precautions before starting the operation

- Download DSP_FLASHER_Vx600.exe from the specified source to the PC being used.
- Prepare the above specified RS232C cross cable.
- While writing, keep the other application software on the PC closed. It is also recommended to keep the software on the task tray closed as well.

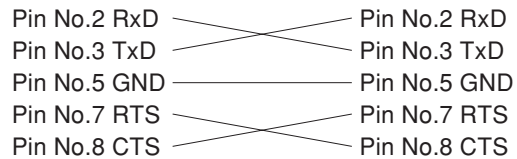
下記の部品をサービス部品に交換した場合、最新のファームウェアの書き込みを行ってください。

P.C.B. FUNCTIONのIC301 : X6909A00
 ... MAINの書き込み
 P.C.B. D-VIDEOのIC507 : X7220A00
 ... VIDEOの書き込み
 P.C.B. DSPのIC542 : X7016A00
 ... DSPの書き込み

● 必要なツール

- DOS/V機、OS：Windows 98/2000/Me/XP、シリアルポート付き (RS232C) PC
- プログラムアップグレードプログラム
 DSP_FLASHER_Vx600.exe
- ファームウェア
 - ※ 以下の3つのファームウェアは必ず同一フォルダ内へ入れてください。
 - MAIN V26Mxxxx.mot
 - VIDEO V26Vxxxx.mot
 - DSP Vx600_verX_XX_0XXXXXXXXX.hex

- RS232Cクロスケーブル “D-sub 9pin メス”
 (仕様)



● 操作前の準備と注意

- PCへ指定のダウンロード先から DSP_FLASHER_Vx600.exeをダウンロードしてください。
- RS232Cクロスケーブルは必ず上記仕様のもので用意してください。
- 書き込み時は、PC上の他のアプリケーションソフトは閉じてください。さらに、タスクトレイ上にあるソフトも閉じておくことを推奨します。

● Operation Procedure

Writing of MAIN or VIDEO

1. Install DSP_FLASHER_Vx600.exe into the PC.
2. Connect the RS232C terminal of the main unit to the PC's RS232C terminal with the RS232C cross cable. (Fig. 1)

● 操作方法

MAINまたは、VIDEOの書き込み

1. PCにDSP_FLASHER_Vx600.exeをインストールします。
2. 本機のRS232C端子とPCのRS232C端子をRS232Cクロスケーブルで接続します。(Fig. 1)

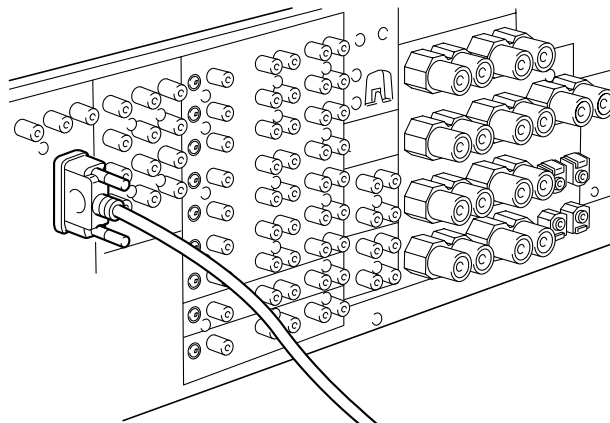
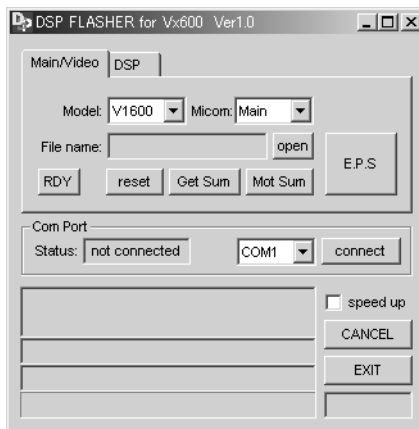


Fig. 1

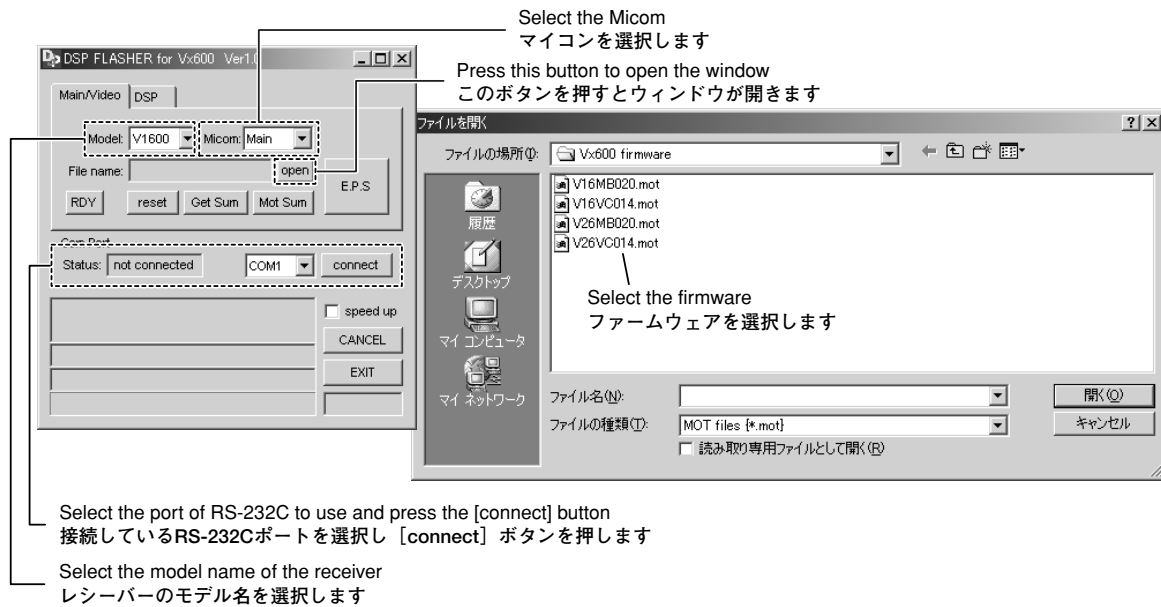
3. Start up DSP_FLASHER_Vx600.exe. Then the screen shown below is displayed.

3. PCのDSP_FLASHER_Vx600.exeを立ち上げます。すると下記の画面が表示されます。



4. Select the model name of the receiver, the Micom, Com Port and file name.
 - **Model**
Select "V2600".
 - **Micom**
Writing of MAIN : Select "Main".
Writing of VIDEO : Select "Video"
 - **Com Port**
Select the port of RS-232C to use and press the [connect] button.
(Com Port Status changes to "connected")
 - **File name**
Writing of MAIN : Select "V26Mxxxx.mot".
Writing of VIDEO : Select "V26Vxxxx.mot"

4. レシーバのモデル名、マイコン、ポート、ファイル名を選択します。
 - **Model**
"V2600"を選択します。
 - **Micom**
MAINの書き込み時 : "Main"を選択します。
VIDEOの書き込み時 : "Video"を選択します。
 - **Com Port**
接続しているRS-232Cポートを選択し [connect] ボタンを押します。
(Com Port Statusが"connected"に変わります)
 - **File name**
MAINの書き込み時 : "V26Mxxxx.mot"を選択します。
VIDEOの書き込み時 : "V26Vxxxx.mot"を選択します。



5. Connect the power cable of main unit to the AC outlet. While pressing the "PRESET/TUNING ►" key and "A/B/C/D/E" key of the main unit, press the "MASTER ON/OFF" key to activate the DIAG function.
 - a. Using the "PROGRAM" knob of the main unit, select the DIAG menu in the figure below.

```
24. FLASH 232C
MAIN
```

- b. Using the "PRESET/TUNING ►" key of the main unit, select the DIAG sub-menu in the figure below.

- Writing of MAIN / MAINの書き込み

```
24. FLASH 232C
MAIN
```

- Writing of VIDEO / VIDEOの書き込み

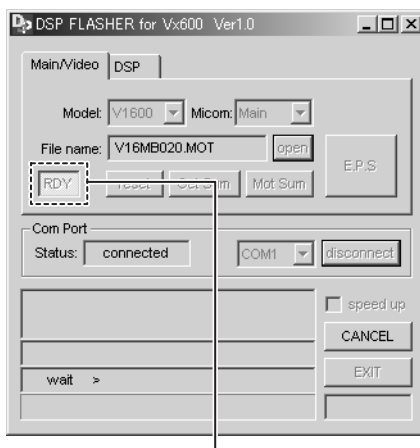
```
24. FLASH 232C
VIDEO
```

5. 本機の電源コードをACコンセントに接続し、本機の "PRESET/TUNING ►" キーと "A/B/C/D/E" キーを押しながら、"MASTER ON/OFF" キーを押す、ダイアグを起動します。
 - a. 本機の "PROGRAM" ノブを回し、下図のダイアグメニューを選択します。

- b. 本機の "PRESET/TUNING ►" キーを使い、下図のダイアグメニューを選択します。

6. Press the [RDY] button.

6. [RDY]ボタンを押します。



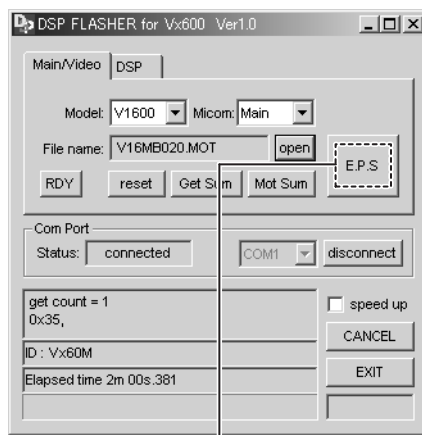
Press this button
このボタンを押します

7. Press the “STRAIGHT” key of the main unit.

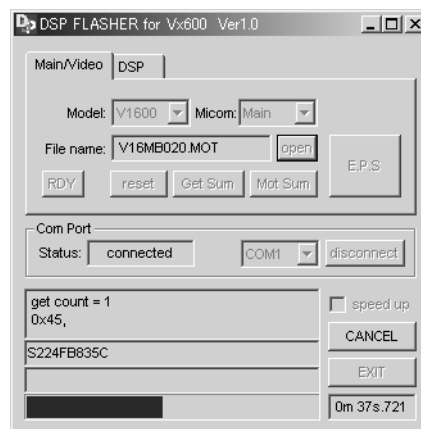
7. 本機の“STRAIGHT”キーを押します。

8. Press the [E.P.S.] button and start writing.

8. [E.P.S.]ボタンを押し、書き込みを開始します。



Press this button
このボタンを押します



During downloading
書き込み中

9. Check the checksum.
When writing is completed, the checksum is displayed in the box located at the lower left of "Checksum result".
- Disconnect the power cable of main unit from the AC outlet.
 - Connect the power cable of main unit to the AC outlet. Start the DIAG function of the main unit and check that the checksum value is the same.

The procedure is completed when the same version as shown below is obtained.

9. チェックサムを確認します。
書き込みが完了後、“Checksum result”の左下BOXにチェックサムが表示されます。
- 本機の電源コードをACコンセントから抜きます。
 - 本機の電源コードをACコンセントに接続し、本機のダイヤグを起動してチェックサム値が同じであることを確認します。

以下のように同様のバージョンになれば完了です。

name	OK/NG	sum	mot sum	start	end
<input type="checkbox"/> ALL	--	0x5277	-----	0x00F80000	0x00FFFFFF
<input type="checkbox"/> PROGRAM	OK	0x52DE	0x52DE	0x00F80000	0x00FF9FFF
<input type="checkbox"/> 232C boot	OK	0x98D0	0x98D0	0x00FFA000	0x00FFBFFF
<input type="checkbox"/> CDDA boot	NG	0x7FB7	0xE317	0x00FFC000	0x00FFEFFF
<input type="checkbox"/> VECTOR	OK	0xE712	0xE712	0x00FFF000	0x00FFFFFF

Diag Sum A:5277 P:52DE **MAIN SUM**
Area Information A:SUM ALL P:PROGRAM

Diag Sum A:FCF7 C:FF09 W:FA3F P:CA3B **VIDEO SUM 1,2**
Area Information A:SUM ALL C:CDDA boot W:WP-BMP-FONT P:PROGRAM

27. ROM VER/SUM
27. ROM VER/SUM
VER. A015

27-2. MAIN SUM
27. ROM VER/SUM
A:5277 P:52DE

27-4. VIDEO SUM1
27. ROM VER/SUM
A:FCF7 C:FF09

27-5. VIDEO SUM2
27. ROM VER/SUM
W:FA3F P:CA3B

Check that the checksum value is the same
チェックサム値が同じであることを確認します

* If there is a difference, perform the procedure again starting from step "3.Start up DSP_FLASHER_Vx600.exe".

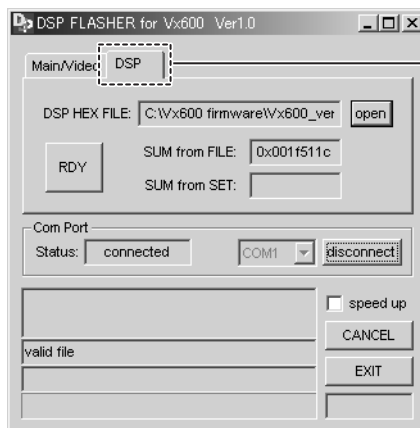
※ チェックサムの値が違っている場合は、“3.DSP_FLASHER_Vx600.exeを立ち上げ”からやり直してください。

Writing of DSP

1. Install DSP_FLASHER_Vx600.exe into the PC.
2. Connect the RS232C terminal of the main unit to the PC's RS232C terminal with the RS232C cross cable. (Fig. 1)
3. Start up DSP_FLASHER_Vx600.exe.
Then the screen shown below is displayed.

DSPの書き込み

1. PCにDSP_FLASHER_Vx600.exeをインストールします。
2. 本機のRS232C端子とPCのRS232C端子をRS232Cクロスケーブルで接続します。(Fig. 1)
3. PCのDSP_FLASHER_Vx600.exeを立ち上げます。
すると下記の画面が表示されます。



Select DSP
DSPを選択します

4. Select "DSP" Tag.
5. Select the data to be transmitted and Com Port.
 - **DSP HEX FILE**
Select "Vx600_verX_XX_0XXXXXXXXX.hex".
 - **Com Port**
Select the port of RS-232C to use and press the [connect] button.
(Com Port Status changes to "connected")

4. "DSP"タグを選択します。
5. 送信データ、ポートを選択します。
 - **DSP HEX FILE**
"Vx600_verX_XX_0XXXXXXXXX.hex"を選択します。
 - **Com Port**
接続しているRS-232Cポートを選択し[connect]ボタンを押します。
(Com Port Statusが"connected"に変わります)



Select the port of RS-232C to use and press the [connect] button
接続しているRS-232Cポートを選択し [connect] ボタンを押します

6. Connect the power cable of main unit to the AC outlet. While pressing the “PRESET/TUNING ▶” key and “A/B/C/D/E” key of the main unit, press the “MASTER ON/OFF” key to activate the DIAG function.

6. 本機の電源コードをACコンセントに接続し、本機の“PRESET/TUNING ▶”キーと“A/B/C/D/E”キーを押しながら、“MASTER ON/OFF”キーを押し、ダイアグを起動します。

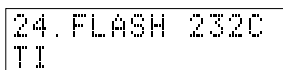
a. Using the “PROGRAM” knob of the main unit, select the DIAG menu in the figure below.

a. 本機の“PROGRAM”ノブを回し、下図のダイアグメニューを選択します。



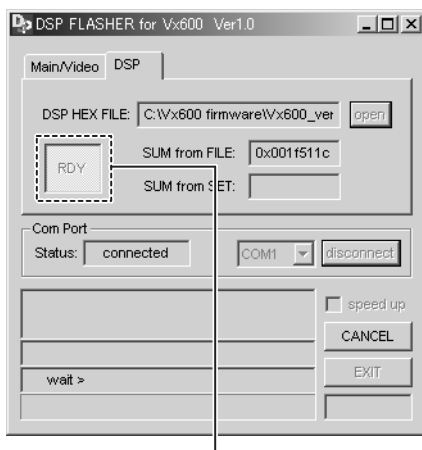
b. Using the “PRESET/TUNING ▶” key of the main unit, select the DIAG sub-menu in the figure below.

b. 本機の“PRESET/TUNING ▶”キーを使い、下図のダイアグメニューを選択します。



7. Press the [RDY] button.

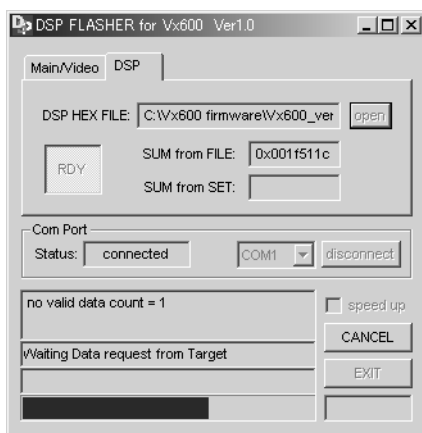
7. [RDY]ボタンを押します。



Press this button
このボタンを押します

8. Press the “STRAIGHT” key of the main unit. The writing function starts.

8. 本機の“STRAIGHT”キーを押します。書き込みを開始します。



During downloading
書き込み中

* When writing is completed, the power to the main unit is automatically turned OFF/ON.

※ 書き込みが完了すると本機は自動的に電源OFF/ONします。

9. Check the checksum.

After downloading successfully, the value of “SUM from SET” is displayed.

Start the DIAG function of the main unit and check that the checksum value is the same.

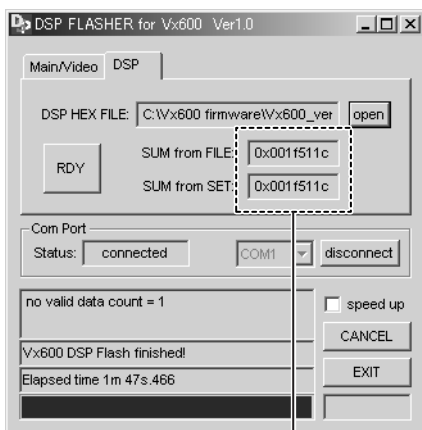
The procedure is completed when the same version as shown below is obtained.

9. チェックサムを確認します。

書き込み完了後、“SUM from SET”が表示されます。

本機のダイアグを起動しチェックサムの値が同じであることを確認します。

以下のように同様のバージョンになれば完了です。



27. ROM VER/SUM

```
27. ROM VER/SUM
VER.A015
```

27-7.TI FLASH SUM (4Byte)

```
27. ROM VER/SUM
TISUM:001F511C
```

Check that the checksum value is the same
チェックサム値が同じであることを確認します

* If there is a difference, perform the procedure again starting from step “3.Start up DSP_FLASHER_Vx600.exe”.

※ チェックサムの値が違っている場合は、“3.DSP_FLASHER_Vx600.exeを立ち上げ”からやり直してください。

■ SELF DIAGNOSIS FUNCTION (DIAG) / 自己診断機能 (ダイアグ)

There are 27 DIAG menu items, each of which has sub-menu items. Listed in the table below are menu items and sub-menu items.

ダイアグメニューは27個あり、そのそれぞれにサブメニューがあります。下表はメニュー一覧です。

No	DIAG MENU	SUB MENU
1	DA60Y-YSS930 1. DA60Y-YSS930 MARGIN	1. MARGIN
		2. FULL BIT
2	BYPASS 2. BYPASS ANALOG BYPASS	1. ANALOG BYPASS
		2. DSP BYPASS
3	RAM THROUGH 3. RAM THROUGH MARGIN	1. MARGIN
		2. FULL BIT
4	HDMI AUDIO 4. SPDIF	1. SPDIF
		2. Multi
		3. DSD
		4. DSD DIRECT
5	SPEAKERS SET 5. SPEAKERS SET FRONT: SML 0dB	1. FRONT: SMALL 0dB
		2. CENTER: NONE
		3. LFE/B: FRNT
		4. Pres Mix: 5ch
		5. FATT1 GAIN
		6. FATT2 GAIN
		7. Surr B: MUTE
		8. Surr L/R: MUTE
		9. Surr NONE
		10. ZoneOn Zone Amp Tone: MAX
		11. ZoneOn Zone Amp Tone: MIN
6	Multi INPUT 6. Multi INPUT 6ch INPUT_6Ω	1. 6ch INPUT_6 ohms
		2. 8ch INPUT_6 ohms
		3. 6ch INPUT_8 ohms
		4. 8ch INPUT_8 ohms
		5. TMP TEST
7	MIC CHECK 7. MIC CHECK --- db	1. MIC CHECK
8	STRAIGHT DISPLAY CHECK 8. STRAIGHT DISPLAY CHECK	1. STRAIGHT (Initial display / 初期表示)
		2. VFD DISP OFF (All segments OFF / 全セグメント消灯)
		3. VFD DISP ALL (All segments ON 100% / 全セグメント点灯100%)
		4. VFD DIMMER (All segments ON 50% / 全セグメント点灯50%)
		5. CHECK PATTERN (ON in lattice / 格子状点灯)
9	MANUAL TEST 9. MANUAL TEST TEST ALL	1. TEST ALL
		2. TEST FRNT L
		3. TEST CENTER
		4. TEST FRNT R
		5. TEST SURR R
		6. TEST SB R
		7. TEST SB L
		8. TEST SURR L
		9. TEST PRES L
		10. TEST PRES R
		11. TEST LFE
10	RS-232C 10. RS-232C TX DATA: NG	1. TX DATA
		2. HARD FLOW
11	FACTORY PRESET 11. FAC PRESET PRESET INH	1. PRESET INH (memory initialization inhibited / メモリーの初期化禁止)
		2. PRESET RSRV (memory initialized / メモリーの初期化)
12	AD DATA CHECK 12. AD CHECK DC:021	1. DC
		2. PS1/PS2

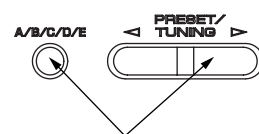
No	DIAG MENU	SUB MENU
		3. TM1/TM2
		4. RECOU SEL
		5. POWER LIMITTER
		6. LIMIT
		7. FAN
		8. MODEL
		9. DESTINATION
		10. PANEL KEY (K0/K1)
13	XM STATUS	13. XM STATUS 1k - 1dB/44
		1. 1k -1dB /44.1k
		2. 1k -61dB /44.1k
		3. Mute /44.1k
		4. XM Tone /44.1k
		5. ISO Tone /44.1k
		6. 1k -1dB /32k
		7. 1k -61dB /32k
		8. Mute /32k
		9. XM Tone /32k
		10. ISO Tone /32k
		11. XM/DT Bus Power: OFF
14	IF STATUS	14. IF STATUS IS1:3300020000
		1. IS 1 (5Byte)
		2. IS 2 (2Byte)
		3. CS 1 (5Byte)
		4. CS 2 (5Byte)
		5. CS 3 (4Byte)
		6. BS 1 (2Word)
		7. BS 2 (2Word)
		8. BS 3 (2Word)
		9. BS 4 (2Word)
		10. BS 5 (2Word)
		11. BS 6 (2Word)
		12. BS 7 (2Word)
		13. BS 8 (2Word)
		14. BS 9 (2Word)
		15. BS 10 (2Word)
		16. TI 1 (5Byte)
		17. TI 2 (1Byte)
		18. MTT (5Byte)
15	PROTECTION SETTING (Not applied to this model. / このモデルには適用されません。)	15. PROTECTION PS_Lo: 0076
		1. PS_Lo
		2. PS_Hi
		3. DC_Lo
		4. DC_Hi
		5. FUN_0
		6. FUN_1
		7. FUN_2
		8. FUN_3
		9. FUN_4
		10. FUN_5
		11. TEMP
		12. PL_8_M_L
		13. PL_8_M_H
		14. PL_8_N_L
		15. PL_8_N_H
		16. PL_6_M_L
		17. PL_6_M_H
		18. PL_6_N_L
		19. PL_6_N_H

No	DIAG MENU	SUB MENU
16	PROTECTION HIST.	16. PROTE HIST. LAST:
		1. LAST:
		2. HIST1:
		3. HIST2:
		4. HIST3:
17	DSP CHECK	17. DSP CHECK TI BUS: NoEr
		1. TI BUS
		2. YSS-930 BUS
18	D-VIDEO CHK	18. DVIDEO CHK ALL:OK
		1. ALL Check
		2. Micom/Flash Check
		3. I2C Read Check
		4. YGV Bus Check
19	HDMI INFO	19. HDMI INFO HMN: DSP-AX2600
		1. HDMI Model Name
		2. HDMI Product ID
		3. HDMI Vendor Name
20	HDMI SELECT	20. HDMI SELECT HDMI NONE
		1. HDMI NONE: No Connect
		2. HDMI IN 1: HDMI IN 1 Port
		3. HDMI IN 2: HDMI IN 2 Port
21	HDMI UPCONV	21. HDMI UPCONV HDMI DECODER
		1. HDMI Decoder
		2. HDMI YGV
		3. HDMI I/P
		4. HDMI 720p
		5. HDMI 1080i
22	VIDEO	22. VIDEO DIGITAL COMP
		1. DIGITAL THR COMP
		2. DIGITAL THR CVBS
		3. DIGITAL THR Y/C
		4. DIGITAL BYPASS
		5. ANALOG BYPASS
		6. TEST PATTERN 1
		7. TEST PATTERN 2
		8. VIDEO INFO
23	BUS CHECK (Not applied to this model. / このモデルには適用されません。)	23. BUS CHECK TI FLASH R
		1. TI FLASH READ
		2. TI FLASH WRITE
		3. TI SDRAM READ
		4. TI SDRAM WRITE
		5. YGV READ
		6. YGV WRITE
24	FLASH 232C	24. FLASH 232C MAIN
		1. MAIN
		2. VIDEO
		3. TI
25	SET INFO	25. SET INFO MODEL: V2600
		1. MODEL: V2600
		2. DEST.: J, UC, R, T, K, A, BG, L
26	SOFT SW	26. SOFT SW SW MODE: PCB
		1. SW MODE: PCB/FNC
		2. VIDEO FORMAT: NTSC/PAL
		3. AAC EXIST: EXIST/NOT
		4. CSII EXIST: EXIST/NOT
		5. RDS EXIST: EXIST/NOT
		6. XM EXIST: EXIST/NOT
		7. TMP TEST J/UC/RL
		8. TMP TEST UCKTABG
		9. TMP TEST RL
27	ROM VER/SUM	27. ROM VER/SUM VER. A015
		1. MAIN VERSION
		2. MAIN SUM
		3. VIDEO VERSION
		4. VIDEO SUM 1
		5. VIDEO SUM 2
		6. TI FLASH VERSION
		7. TI FLASH SUM (4Byte)
		8. XM VERSION

● Starting DIAG

Press the “MASTER ON/OFF” key while simultaneously pressing those two keys of the main unit as indicated in the figure below.

Keys of main unit / 本機キー



Turn on the power while pressing these keys.
これらのキーを同時に押しながら、パワーオンする。

● Starting DIAG in the protection cancel mode

If the protection function works and causes hindrance to trouble diagnosis, cancel the protection function as described below, and it will be possible to enter the DIAG mode. (The protection functions other than the excess current detect function will be disabled.)

Press the “MASTER ON/OFF” key while simultaneously pressing those two keys indicated in the figure above. At this time, keep pressing those two keys for 3 seconds or longer.

In this mode, the “SLEEP” segment of the FL display of the main unit flashes to indicate that the mode is DIAG mode with the protection functions disabled.

CAUTION!

Using this product with the protection function disabled may cause damage to itself. Use special care for this point when using this mode.

● Canceling DIAG

① Before canceling DIAG, execute setting for PRESET of DIAG menu No.11 (Memory initialization inhibited or Memory initialized).

* In order to keep the user memory stored, be sure to select PRESET INHIBIT (Memory initialization inhibited). Any protection history will remain in memory.

② Turn off the power by pressing the “MASTER ON/OFF” key of the main unit or the “STANDBY” key of the remote control.

● ダイアグの起動

本機の下図に示すキーを同時に押しながら“MASTER ON/OFF”キーを押すと、ダイアグが起動します。

● プロテクション解除モードでの起動

プロテクションが動作することにより、故障箇所の診断に支障をきたすような場合は、次の方法によりプロテクションを解除した状態でダイアグモードに入ることができます。(過電流検出以外のプロテクション動作を解除する)

上図のキーを同時に押しながら“MASTER ON/OFF”キーを押します。このとき、上図のキーを3秒以上押し続けてください。

このモードでは本機FLの“SLEEP”セグメントが点滅し、プロテクションを解除した状態でのダイアグモードであることを知らせます。

注意!

プロテクションを解除した状態でのダイアグモードは、危険な状態でもプロテクションが作動しないため、動作させると、機器を破壊することがあります。このモードを使用する場合は十分注意してください。

● ダイアグの解除

① ダイアグを解除する前に、ダイアグメニューNo.11のFACTORY PRESET (メモリーの初期化禁止/またはメモリーの初期化)の設定をします。

※ ユーザーメモリーを保持したい場合は、必ずPRESET INHIBIT (メモリー初期化禁止)を選択してください。

② 本機の“MASTER ON/OFF”キーかリモコンの“STANDBY”キーを押す、パワーオフにします。

● Display provided when DIAG started

The FL display of the main unit displays the protection function history data and the version (1 alphabet) and the DIAG menu (sub-menu MARGIN of DIAG menu No.1 DA60Y-YSS930) a few seconds later.

When there is no history of protection function:

Opening message /
オープニング表示

When there is no history of protection function
プロテクション履歴がない場合

NO PROTECT A

Version (1 alphabet)
バージョン(英1文字)

After a few seconds
数秒後

DIAG menu display /
ダイアグメニュー表示

1. DA60Y-YSS930
MARGIN

When there is a history of protection function:

When there is a history of protection function due to excess current
過電流によるプロテクション履歴がある場合

I PROTECT A

Version (1 alphabet)
バージョン(英1文字)

プロテクション履歴がある場合:

Cause: An excessive current flowed through the power amplifier.

Turning on the power without correcting the abnormality will cause the protection function to work immediately and the power supply will instantly be shut off.

原因: パワーアンプに過電流が流れた。

補足: パワートランジスタの電流を検出していますので、電流検出トランジスタをチェックすれば異常チャンネルが特定できます。

異常状態のままパワーオンすると、瞬時にプロテクションがかかり、すぐに電源が切れます。

Note)

- Applying the power to a unit without correcting the abnormality can be dangerous and cause additional circuit damage.
- The output transistors in each amplifier channel should be checked for damage before applying any power.
- Amplifier current should be monitored by measuring across the emitter resistors for each channel.

When there is a history of protection function due to abnormal voltage in the power supply section
電源部の電圧異常によるプロテクション履歴がある場合 \

Version (1 alphabet)
バージョン(英1文字) /

PSx PRT:000 A

A/D conversion value of voltage
電圧のA/D変換値

Cause: The voltage in the power supply section is abnormal.

Supplementary information: The abnormal voltage is displayed in based on 5V as 255.

Turning on the power without correcting the abnormality will cause the protection function to work 1 second later and the power supply will be shut off.

原因：電源部の電圧が異常。

補足：異常時の電圧の状態を、5Vを255とした値で表示します。

異常状態のままパワーオンすると、1秒後にプロテクションがかかり、電源が切れます。

When there is a history of protection function due to abnormal DC output DC出力異常によるプロテクション履歴がある場合 \

Version (1 alphabet)
バージョン(英1文字) /

DC PRT:000 A

A/D conversion value of voltage
電圧のA/D変換値

Cause: DC output of the power amplifier is abnormal.

Supplementary information: The abnormal voltage is displayed in based on 5V as 255.

Turning on the power without correcting the abnormality will cause the protection function to work 3 seconds later and the power supply will be shut off.

原因：パワーアンプのDC出力が異常。

補足：異常時の電圧の状態を、5Vを255とした値で表示します。

異常状態のままパワーオンすると、3秒後にプロテクションがかかり、電源が切れます。

When there is a history of protection function due to excessive heat sink temperature
放熱器の異常温度によるプロテクション履歴がある場合 \

Version (1 alphabet)
バージョン(英1文字) /

TMPx PRT:000 A

A/D conversion value of voltage
電圧のA/D変換値

Cause: The temperature of the heat sink is excessive.

Supplementary information: The abnormal voltage is displayed in based on 5V as 255.

Turning on the power without correcting the abnormality will cause the protection function to work 1 second later and the power supply will be shut off.

原因：放熱器の温度が異常。

補足：異常時の電圧の状態を、5Vを255とした値で表示します。

異常状態のままパワーオンすると、1秒後にプロテクションがかかり、電源が切れます。

* Additional causes of protection can be due to loose connections, associated components, Microprocessor, etc.

* For the protection voltage value, refer to DIAG menu No.12 described later.

※ 前記の異常原因の他に、コネクタのはずれやMicroprocessor周辺などに原因があります。

※ プロテクションの電圧値に関しては、後述のダイアグメニューNo.12を参照してください。

● History of protection function

When the protection function has worked, its history is stored in memory with a backup. Even if no abnormality is noted while servicing the unit, an abnormality which has occurred previously can be defined as long as the backup data has been stored.

The history of the protection function is cleared when DIAG is cancelled by selecting PRESET RESERVED (Memory initialized) of DIAG menu No. 11 or when the backup data is erased.

● プロテクションの履歴

プロテクションが働いた場合、履歴をバックアップして記憶しています。サービスのときに異常が認められなくても、バックアップが残っていれば、お客様のところで起きた異常を区別できます。

プロテクションの履歴は、ダイアグメニューNo.11でPRESET RESERVED(メモリーの初期化)を選んでダイアグを解除した場合や、バックアップが消えたときにはクリアされます。

● Display during menu operation

During the DIAG mode, the monitor screen shows the wall paper and the function at work among following functions as a short message.

- Input selection, multi channel input
- Muting
- Speaker relay A/B
- Master volume

The FL display of the main unit shows the function at work. The displayed contents are described in the later section on detailed functions.

● メニュー動作中の表示

ダイアグ中、モニター画面には壁紙表示と以下の動作中の機能がショートメッセージとして表示されます。

- インプット切替、マルチチャンネルインプット
- ミューティング
- スピーカーリレーA/B
- マスターボリューム

本機のFLディスプレイには動作中の機能が表示されます。機能動作中の表示内容については、後述の機能詳細で記述します。

● Operation procedure of DIAG menu and SUB-MENU

There are 27 MENU items, each of which has some SUB-MENU items.

DIAG menu selection

Select the menu using PROGRAM knob.

● ダイアグメニューとサブメニューの操作

ダイアグにはNo.1~27のメニューがあり、そのそれぞれにサブメニューがあります。

ダイアグメニューの選択

PROGRAMツマミで選択します。

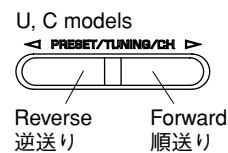
SUB-MENU selection

Select the sub-menu using ▷ (Forward) and ◁ (Reverse) keys of PRESET/TUNING.

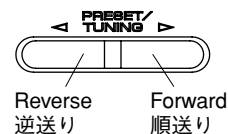
サブメニューの選択

PRESET/TUNING ▷ (順送り), ◁ (逆送り)キーで選択します。

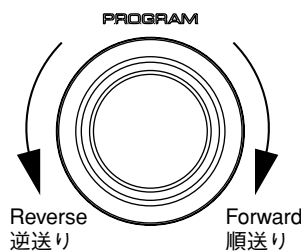
SUB-MENU selection
サブメニューの選択



R, T, K, A, B, G, L, J models



DIAG menu selection
ダイアグメニューの選択



● Functions in DIAG mode

In addition to the DIAG menu items, functions as listed below are available.

- Input selection, Multi channel input
 - Center/Rear/Rear center/Sub-woofer level adjustment
 - Muting
 - Speaker relay A/B
 - Power on/off
 - Master volume
- * Functions related to the tuner and the set menu are not available.
- * It is possible to confirm Menu No.14 IF STATUS while keeping the signal process (operation status) of each DIAG menu by using the "AUDIO SELECT" key of the main unit.

● Initial settings used to start DIAG

The following initial settings are used when starting DIAG. When DIAG is canceled, these settings are restored to those before starting DIAG.

- Master volume: -20dB
- Input: DVD (MULTI CHANNEL INPUT OFF)
- Effect level: 0dB
- Audio mute: OFF
- Speaker relay A/B: ON
- Speaker setting: LARGE / BASS OUT = BOTH
- DIAG menu: DA60Y-YSS930 (1. MARGIN)

● ダイアグ中の機能

ダイアグメニューの他に、以下の機能が動作します。

- インプット切り換え、マルチチャンネルインプット
- センター、リア、リアセンター、サブウーファーレベル調整
- ミューティング
- スピーカーリレーA/B
- パワーオン/オフ
- マスターボリューム

※ チューナー関連、セットメニュー関連は機能しません。

※ 本機の“AUDIO SELECT”キーにより、各ダイアグメニューの信号処理(動作状態)を維持したままダイアグメニューNo.14 IF STATUSの確認ができます。

● ダイアグ開始時の初期設定

ダイアグ開始時に以下のような設定になります。ダイアグ解除時にはダイアグ開始前の状態に戻ります。

- マスターボリューム: -20dB
- インプット: DVD (マルチチャンネルINPUT オフ)
- エフェクトレベル: 0dB
- オーディオミュート: オフ
- スピーカーリレーA/B: オン
- スピーカー設定: LARGE / BASS OUT=BOTH
- ダイアグメニュー: DA60Y-YSS930 (1. MARGIN)

● Details of DIAG menu

With full-bit output specified in some modes, it is possible to execute 0dBFS output without head margin in each channel.

1. DA60Y-YSS930

This function is for YSS930 only. Main DSP of YSS930 is selected for FRONT output.

Using the sub-menu, it is possible to select 0dB output level or full-bit output.

MARGIN

- The signal is output including the head margin.

● ダイアグメニュー詳細

一部のモードでフルビット指定することで、各チャンネルのヘッドマージンを廃して0dBFS出力することが可能です。

1. DA60Y-YSS930

YSS930のみの動作です。FRONT出力にはYSS930のMain DSPが選択されます。

サブメニューにより、出力レベル0dB、フルビット出力が選択可能です。

MARGIN

- ヘッドマージンを含んで出力されます。

1. DA60Y-YSS930
MARGIN

INPUT: DVD ANALOG

SPEAKER OUT: 1kHz, SUBWOOFER OUTPUT: 50Hz

Input level	Volume	SPEAKER OUT					SUBWOOFER OUTPUT
		FRONT	CENTER	SURROUND	SURROUND BACK	PRESENCE	
Both ch, -20 dBm	+6.5 dB	+18.5 dBm	+12.5 dBm	+12.5 dBm	+12.5 dBm	-∞	-6.0 dBm

FULL BIT

- The signal is output in digital full bit without including the head margin.
- The SWFR signal is output but not in digital full bit.

FULL BIT

- ヘッドマージンを含まず、デジタルフルビットで出力されます。
- SWFRは出力されますが、デジタルフルビットではありません。

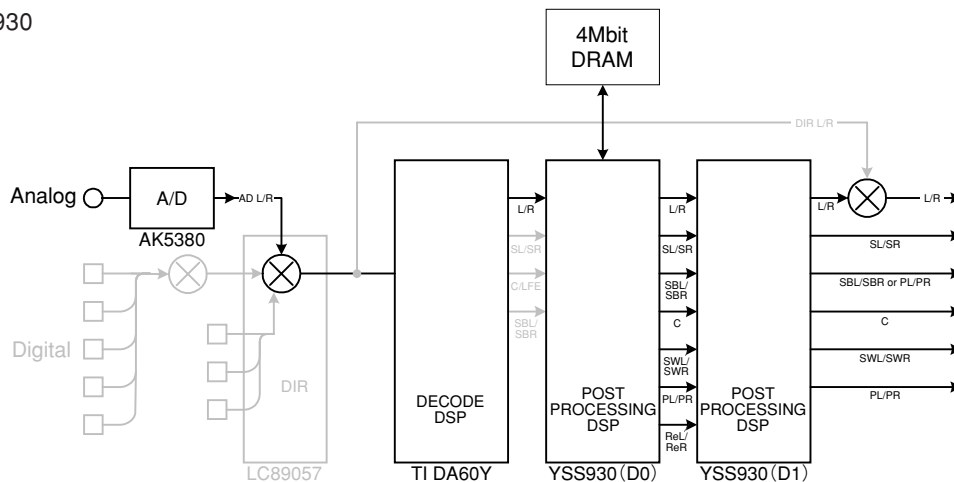
1. DA60Y-YSS930
FULL BIT

INPUT: DVD ANALOG

SPEAKER OUT: 1kHz, SUBWOOFER OUTPUT: 50Hz

Input level	Volume	SPEAKER OUT					SUBWOOFER OUTPUT
		FRONT	CENTER	SURROUND	SURROUND BACK	PRESENCE	
Both ch, -20 dBm	+6.5 dB	+18.5 dBm	+12.5 dBm	+12.5 dBm	+12.5 dBm	-∞	-6.0 dBm

DA60Y-YSS930
(ANALOG)



(Shaded items not used in this example)

2. BYPASS

2. BYPASS

ANALOG BYPASS

ANALOG BYPASS

2. BYPASS
ANALOG BYPASS

INPUT: DVD ANALOG

SPEAKER OUT: 1kHz, SUBWOOFER OUTPUT: 50Hz

Input level	Volume	SPEAKER OUT					SUBWOOFER OUTPUT
		FRONT	CENTER	SURROUND	SURROUND BACK	PRESENCE	
Both ch, -20 dBm	+6.5 dB	+18.5 dBm	-∞	-∞	-∞	-∞	-∞

DSP BYPASS

DSP BYPASS

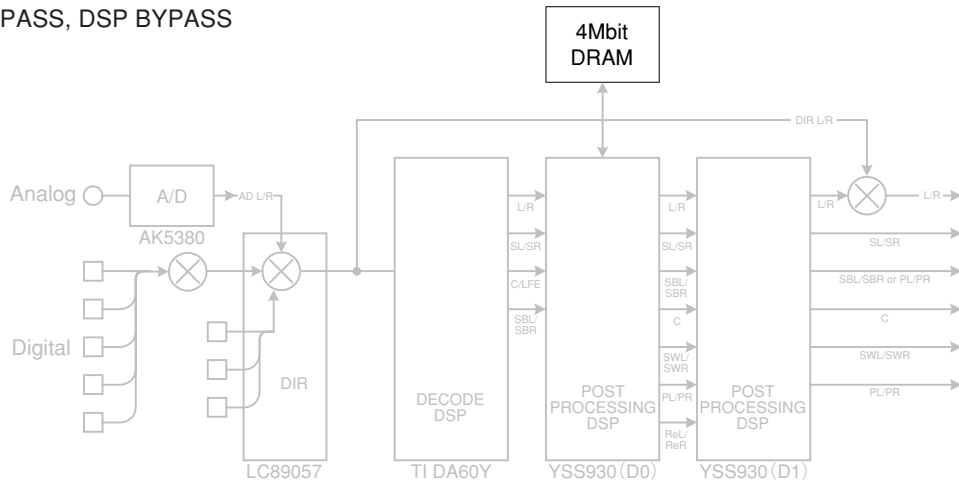
2. BYPASS
DSP BYPASS

INPUT: DVD ANALOG

SPEAKER OUT: 1kHz, SUBWOOFER OUTPUT: 50Hz

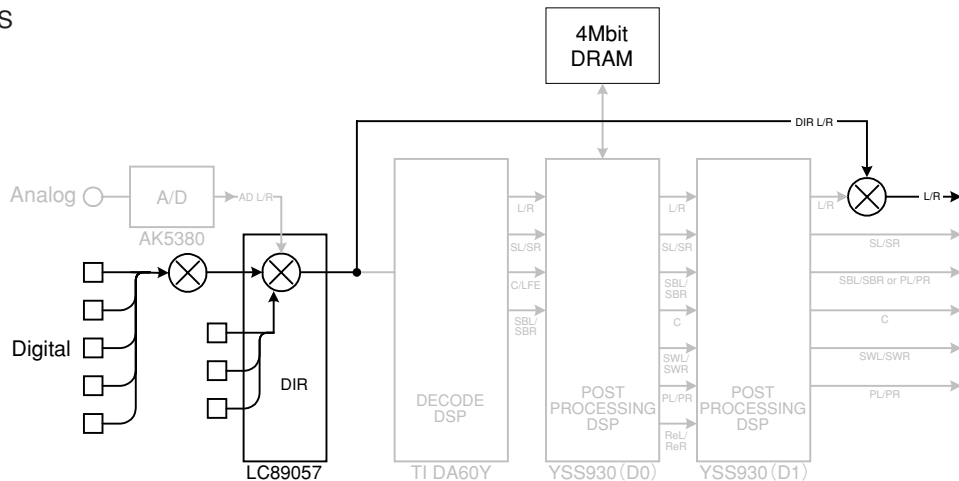
Input level	Volume	SPEAKER OUT					SUBWOOFER OUTPUT
		FRONT	CENTER	SURROUND	SURROUND BACK	PRESENCE	
Both ch, -20 dBm	+6.5 dB	+18.5 dBm	-∞	-∞	-∞	-∞	-∞

ANALOG BYPASS, DSP BYPASS
(ANALOG)



(Shaded items not used in this example)

DSP BYPASS
(DIGITAL)



(Shaded items not used in this example)

3. RAM THROUGH

Using the sub-menu, it is possible to select the full-bit output at 0dB output level.

MARGIN

3. RAM THROUGH
MARGIN

INPUT: DVD ANALOG

SPEAKER OUT: 1kHz, SUBWOOFER OUTPUT: 50Hz

Input level	Volume	SPEAKER OUT					SUBWOOFER OUTPUT
		FRONT	CENTER	SURROUND	SURROUND BACK	PRESENCE	
Each ch, -20 dBm	+6.5 dB	+18.5 dBm	+12.5 dBm	+12.5 dBm	+12.5 dBm	-∞	-6.0 dBm

3. RAM THROUGH

サブメニューにより出力レベル0dB、フルビット出力が選択可能です。

MARGIN

FULL BIT

- MAIN -9dB

3. RAM THROUGH
FULL BIT

FULL BIT

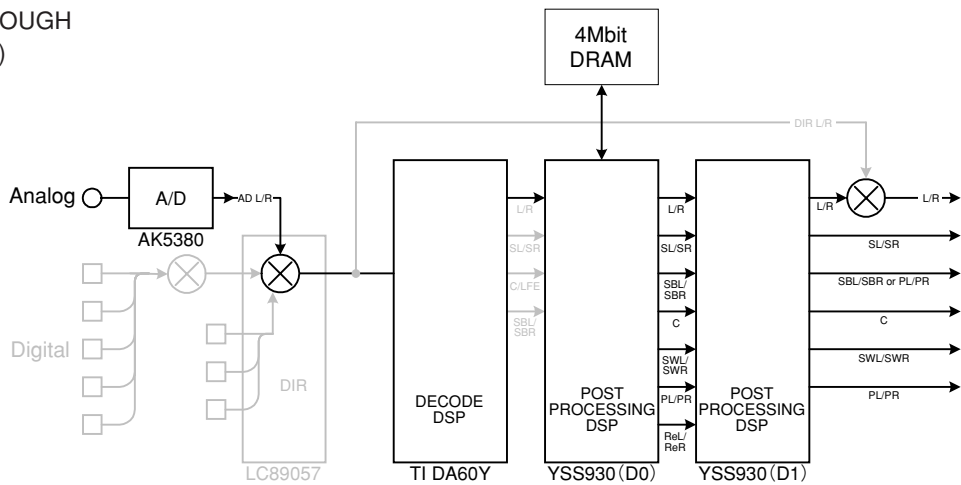
- MAIN -9dB

INPUT: DVD ANALOG

SPEAKER OUT: 1kHz, SUBWOOFER OUTPUT: 50Hz

Input level	Volume	SPEAKER OUT					SUBWOOFER OUTPUT
		FRONT	CENTER	SURROUND	SURROUND BACK	PRESENCE	
Both ch, -20 dBm	+6.5 dB	+18.5 dBm	+12.5 dBm	+12.5 dBm	+12.5 dBm	-∞	-6.0 dBm

RAM THROUGH
(ANALOG)



(Shaded items not used in this example)

4. HDMI AUDIO

The signals input to HDMI IN1 and IN2 are selected by the sub-menu and output.

SPDIF

Only SPDIF is output.

4.
SPDIF

Multi

Only Multi (DVD-AUDIO) is output.

4.
Multi

DSD

Not applied to this model.

4.
DSD

DSD Direct

Not applied to this model.

4.
DSD Direct

4. HDMI AUDIO

HDMI IN1、IN2に入力された信号をサブメニューで選択し、出力します。

SPDIF

SPDIFのみを出力します。

Multi

Multi (DVD-AUDIO)のみを出力します。

DSD

このモデルには適用されません。

DSD Direct

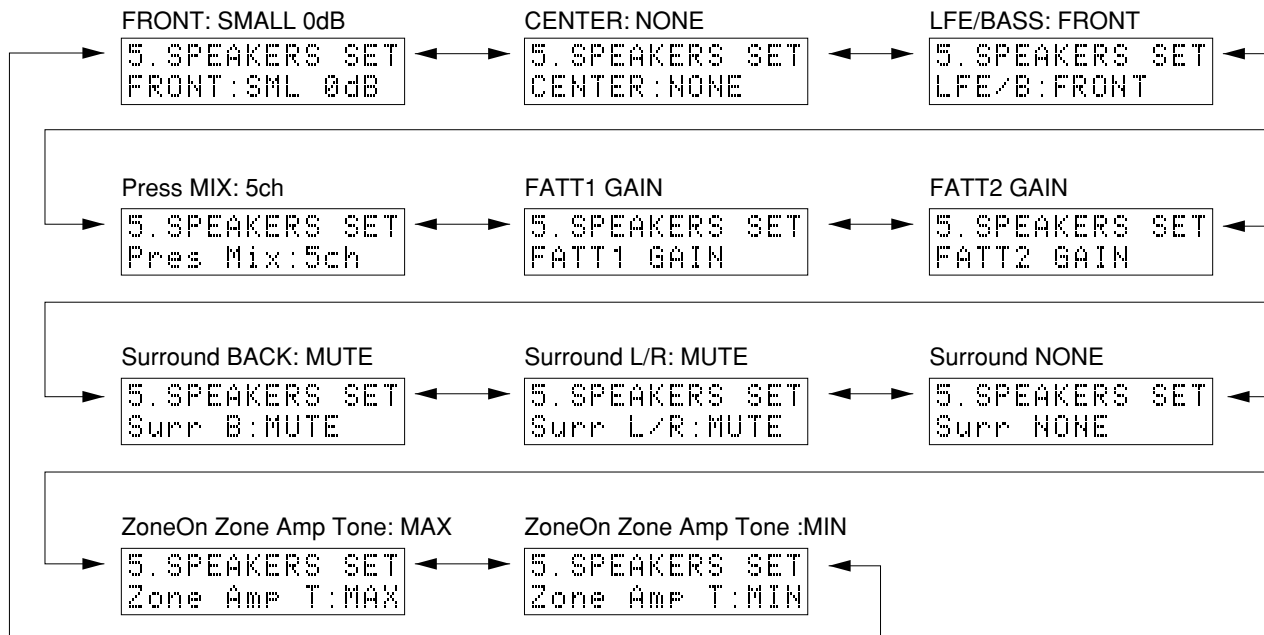
このモデルには適用されません。

5. SPEAKERS SET

The input signal is automatically identified in the order of dts→DOLBY DIGITAL→AAC→PCM→Analog. There are 11 sub-menu items as follows. The signals output from the DSP block are the same as sub-menu MARGIN of DIAG menu No.1 DA60Y-YSS930.

5. SPEAKERS SET

入力は、dts→DOLBY DIGITAL→AAC→PCM→アナログの優先順で自動判別されます。サブメニューは以下の11つあります。DSP部からは、No.1 DA60Y-YSS930のMARGINと同様の信号が出力されます。



The analog switch settings for each sub-menu are as shown in the table below.

各サブメニューにおけるアナログスイッチの設定は以下の通りです。

SUB MENU	FRONT L/R	CENTER	SURROUND L/R	SURROUND BACK L/R	LFE/BASS
1. FRONT: SMALL 0dB	SMALL	LARGE	LARGE	LARGE	SWFR
2. CENTER: NONE	LARGE	NONE	LARGE	LARGE	SWFR
3. LFE/B: FRNT	LARGE	SMALL	SMALL	SMALL	FRONT
4. Pres Mix: 5ch	LARGE	LARGE	LARGE	LARGE	SWFR
5. FATT1 GAIN	LARGE	LARGE	LARGE	LARGE	SWFR
6. FATT2 GAIN	LARGE	LARGE	LARGE	LARGE	SWFR
7. Surr B: MUTE	LARGE	LARGE	LARGE	NONE	SWFR
8. Surr L/R: MUTE	LARGE	LARGE	NONE	LARGE	SWFR
9. Surr NONE	LARGE	LARGE	NONE	NONE	SWFR
10. ZoneOn Zone Amp Tone: MAX	LARGE	LARGE	NONE	NONE	SWFR
11. ZoneOn Zone Amp Tone: MIN	LARGE	LARGE	NONE	NONE	SWFR

LARGE: This mode is used with a speaker with high bass reproduction performance (a large unit). Full bandwidth signals are output.

SMALL: This mode is used with a speaker with low bass reproduction performance (a small unit). The signals of 90Hz or less are mixed into the channel specified by LFE/BASS.

NONE: This mode is used with no center speaker. The center content is reduced by 3dB and distributed to FRONT L/R.

SWFR: LFE of 5.1ch signal or LFE/BASS lower than 90Hz is output through SUBWOOFER OUT.

FRONT: LFE of 5.1ch signal or LFE/BASS lower than 90Hz is distributed to FRONT L/R.

LARGE: 低音再生能力の高い(ユニットの大きい)スピーカーを使用するモードです。全帯域が出力されます。

SMALL: 低音再生能力の低い(ユニットの小さい)スピーカーを使用するモードです。90Hz以下がLFE/BASSで指定したチャンネルにミックスされます。

NONE: スピーカーを使用しないモードです。センター成分は-3dBされて、FRONT L/Rに振り分けられます。

SWFR: 5.1ch信号のLFEまたは90Hz以下のLFE/BASSがSUBWOOFER OUTに出力されます。

FRONT: 5.1ch信号のLFEまたは90Hz以下のLFE/BASSをFRONT L/Rに振り分けます。

INPUT: DVD ANALOG

SPEAKER OUT: 1kHz, SUBWOOFER OUTPUT: 50Hz

Input level: Both ch, -20 dBm

Volume: +6.5 dB

SUB MENU	SPEAKER OUT					SUBWOOFER OUTPUT
	FRONT	CENTER	SURROUND	SURROUND BACK	PRESENCE	
1. FRONT: SMALL 0dB	+18.5 dBm	+12.5 dBm	+12.5 dBm	+12.5 dBm	-∞	-2.5 dBm
2. CENTER: NONE	+6.5 dBm	-∞	+12.5 dBm	+12.5 dBm	-∞	-6.0 dBm
3. LFE/B: FRNT	+25.0 dBm	+5.0 dBm	+3.5 dBm	+3.5 dBm	-∞	-∞
4. Pres Mix: 5ch	+13.5 dBm	+12.5 dBm	+12.5 dBm	+12.5 dBm	-∞	-6.0 dBm
5. FATT1 GAIN	+19.0 dBm	+12.5 dBm	+12.5 dBm	+12.5 dBm	-∞	-6.0 dBm
6. FATT2 GAIN	+18.5 dBm	+12.5 dBm	-∞	+12.5 dBm	-∞	-6.0 dBm
7. Surr B: MUTE	+18.5 dBm	+12.5 dBm	-∞	-∞	+12.5 dBm	-6.0 dBm
8. Surr L/R: MUTE	+18.5 dBm	+12.5 dBm	-∞	+12.5 dBm	-∞	-6.0 dBm
9. Surr NONE	+13.0 dBm	+12.5 dBm	-∞	-∞	+12.5 dBm	-6.0 dBm
10. ZoneOn Zone Amp Tone: MAX	+18.5 dBm	+12.5 dBm	-∞	-∞	-∞	-6.0 dBm
11. ZoneOn Zone Amp Tone: MIN	+18.5 dBm	+12.5 dBm	-∞	-∞	-∞	-6.0 dBm

6. Multi INPUT

It is possible to select the 6ch/8ch input and 6 ohms/8 ohms by using the SUB menu.

6CH INPUT_6 ohms

```
6. Multi INPUT
6ch INPUT_6Ω
```

INPUT: MULTI CH INPUT

SPEAKER OUT: 1kHz, SUBWOOFER OUTPUT: 50Hz

Input level	Volume	SPEAKER OUT					SUBWOOFER OUTPUT
		FRONT	CENTER	SURROUND	SURROUND BACK	PRESENCE	
Both ch, -20 dBm	+6.5 dB	+19.0 dBm	+13.0 dBm	+13.0 dBm	-∞	-∞	-6.5 dBm

6. Multi INPUT

サブメニューにより、6ch/8ch入力および6オーム/8オームが選択可能です。

6CH INPUT_6オーム**8CH INPUT_6 ohms**

```
6. Multi INPUT
8ch INPUT_6Ω
```

INPUT: MULTI CH INPUT

SPEAKER OUT: 1kHz, SUBWOOFER OUTPUT: 50Hz

Input level	Volume	SPEAKER OUT					SUBWOOFER OUTPUT
		FRONT	CENTER	SURROUND	SURROUND BACK	PRESENCE	
Both ch, -20 dBm	+6.5 dB	+19.0 dBm	+13.0 dBm	+13.0 dBm	+12.5 dBm	-∞	-6.5 dBm

8CH INPUT_6オーム**6CH INPUT_8 ohms**

```
6. Multi INPUT
6ch INPUT_8Ω
```

INPUT: MULTI CH INPUT

SPEAKER OUT: 1kHz, SUBWOOFER OUTPUT: 50Hz

Input level	Volume	SPEAKER OUT					SUBWOOFER OUTPUT
		FRONT	CENTER	SURROUND	SURROUND BACK	PRESENCE	
Both ch, -20 dBm	+6.5 dB	+19.0 dBm	+13.0 dBm	+13.0 dBm	-∞	-∞	-6.5 dBm

6CH INPUT_8オーム**8CH INPUT_8 ohms**

```
6. Multi INPUT
8ch INPUT_8Ω
```

INPUT: MULTI CH INPUT

SPEAKER OUT: 1kHz, SUBWOOFER OUTPUT: 50Hz

Input level	Volume	SPEAKER OUT					SUBWOOFER OUTPUT
		FRONT	CENTER	SURROUND	SURROUND BACK	PRESENCE	
Both ch, -20 dBm	+6.5 dB	+19.0 dBm	+13.0 dBm	+13.0 dBm	+12.5 dBm	-∞	-6.5 dBm

8CH INPUT_8オーム

TMP TEST

Perform the fan drive test.
Operation is changed using the "STRAIGHT" key.

TMP TEST (温度試験モード)

ファンの駆動テストを行います。
操作は"STRAIGHT"キーで切り替えます。

```
6. Multi INPUT  
255000058059 ...
```

_: OFF
L: LOW / 弱
M: MID / 中
H: HIGH / 強

7. MIC CHECK

The signals inputted through the microphone are output
via A/D - D/A.

7. MIC CHECK

マイク入力された信号をA/D-D/A経由で出力します。

```
7. MIC CHECK  
--- db
```

8. STRAIGHT / DISPLAY CHECK

Use this program to check the FL display section and image control section. When checking the image control section, prepare a monitor, component video cable, S video cable and video pin cable and connect them.

Using the sub-menu operation, the display status of the FL display section and image control section varies as shown below.

For audio signal processing, use EFFECT OFF (L/R output by using ANALOG MAIN BYPASS).

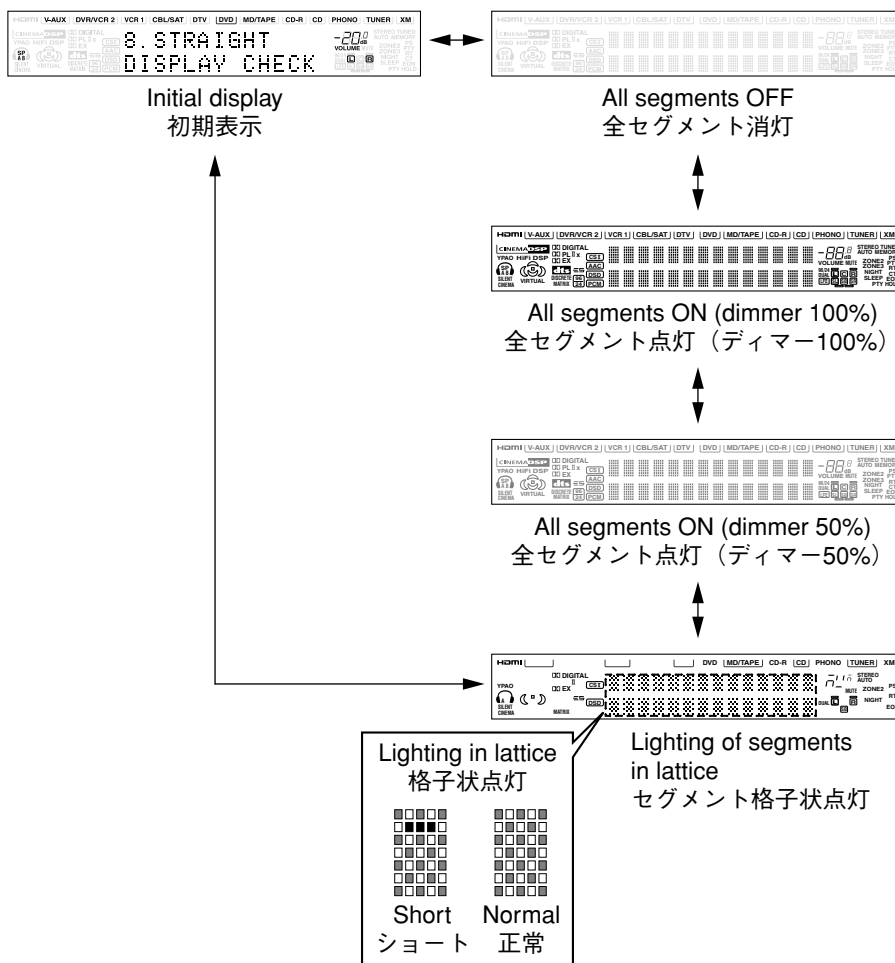
8. STRAIGHT / DISPLAY CHECK

FL表示部と映像制御部のチェックプログラムです。映像制御部をチェックする場合には、モニター、D端子ケーブル、コンポーネントビデオケーブル、Sビデオケーブル、ビデオ用ピンケーブルを準備し接続します。サブメニュー操作により、FL表示部と映像制御部の表示状態が以下のように連動して変わります。

オーディオ信号処理はEFFECT OFF (ANALOG MAIN BYPASSでL/Rを出力)です。

Checking FL display section

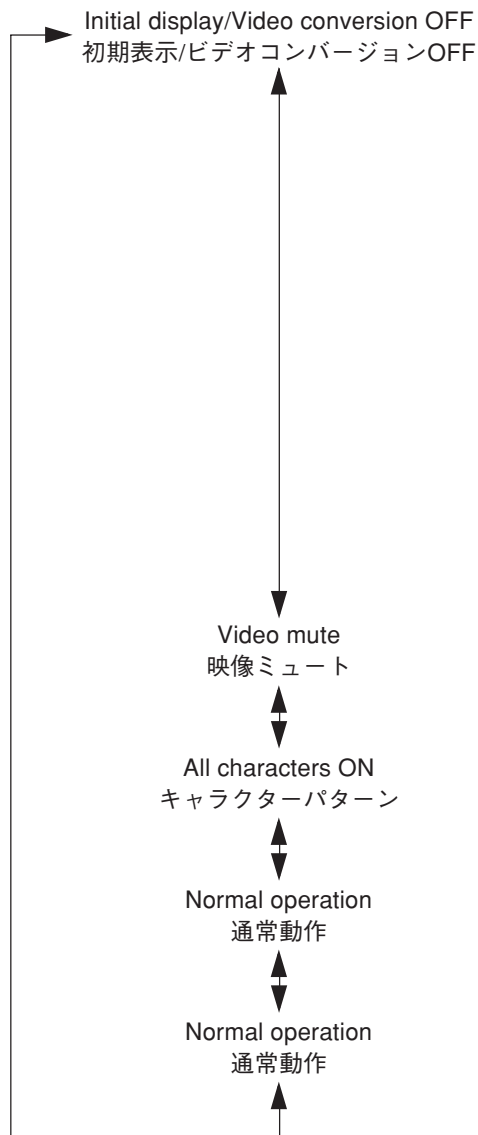
FL表示部のチェック



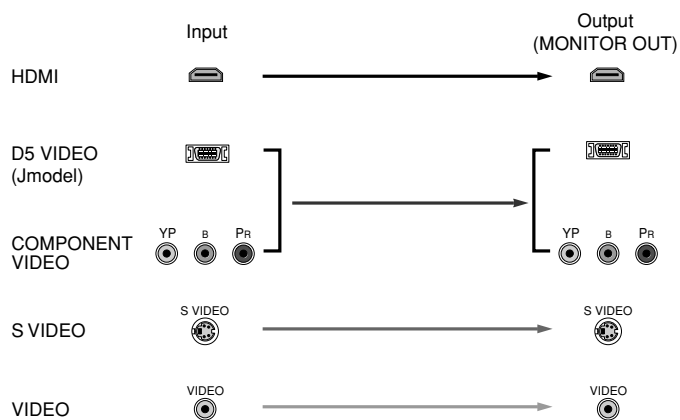
Segment conditions of the FL driver and the FL tube are checked by turning ON and OFF all segments. Next, the operation of the FL driver is checked by using the dimmer control. Then a short between segments next to each other is checked by turning ON and OFF all segments alternately (in lattice). (In the above example, the segments in the second row from the top are shorted.)

全セグメント消灯・全セグメント点灯によりFLドライバー、FL管のセグメントの不良を確認します。次に、ディマーコントロールによってFLドライバーの動作チェックを行います。さらに全セグメントを交互(格子状)に点灯/消灯することで、隣り合うセグメントのショートをチェックします。

Check of the Video control circuit. (Monitor out) / 映像表示部のチェック (モニター出力)



The image signal is output as follows.
映像信号は以下のように出力されます。



The image signal is not output.
映像信号は出力されません。

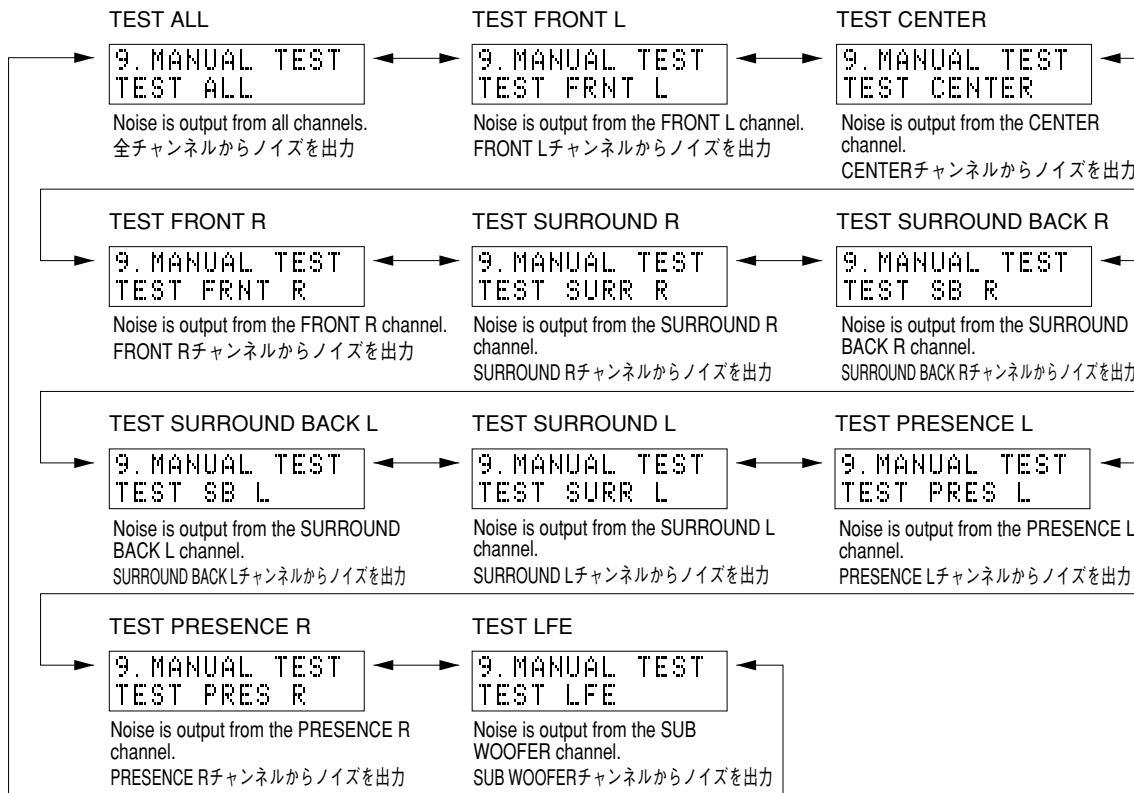
The 128 pictographs for checking the OSD driver are used for the ZONE2 Video output.
ZONE2 VIDEO OUT (ZONE2)にOSDドライバー確認用128絵文字が出力されます。

9. MANUAL TEST

The noise generator with a built-in DSP outputs the test noise through the channels specified by the sub-menu. The noise frequency for LFE is 35 to 250 Hz. Other than that, the center frequency is 800Hz.

9. MANUAL TEST

DSP内蔵のノイズ発生回路によって、サブメニューで指定したチャンネルへテストノイズを出力します。LFE用のノイズ周波数は35～250Hz、それ以外は中心周波数800Hzとなります。

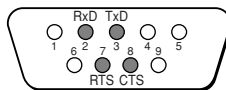


10. RS-232C

This menu is used to check transmission of the data and the flow port of the hardware. With the power turned off, short between pins No.2 (RxD) and No.3 (TxD), and between pins No.7 (RTS) and No.8 (CTS) of the RS-232C terminal. (Be sure to turn off the power when shorting the pins.) Start DIAG and select the menu. There are two sub-menu items.

10. RS-232C

データ送受信チェック、ハードウェアフローポートチェックを行うメニューです。パワーオフ状態にしてから、RS-232C端子の2ピン(パワーオフ状態にしてから、RS-232C端子の2ピン(RxD)と3ピン(TxD)、7ピン(RTS)と8ピン(CTS)をショートさせます。(ショートさせるときは必ず電源を切ってください。))ダイアグを起動してメニューを選択します。サブメニューは2つあります。



TX DATA

The sub-menu is used to check transmission of the test data. "OK" appears when the data is transmitted properly and "NG" when it is not. In this mode, NULL command transmission is continued after the test command is transmitted.

TX DATA

テストの送受信チェックを行います。正常に送受信完了した場合、「OK」と表示します。正常に送受信しなかった場合は「NG」と表示します。このモードでは、テストコマンド送信後、200msごとにNULLコマンド(無効なコマンド)を送信し続けます。

```
10. RS-232C
TX DATA:      NG
```

HARD FLOW

This sub-menu is used to check operation of the flow port of the hardware. "OK" appears when the check result is satisfactory and "NG" when it is not.

```
10. RS-232C
HARD FLOW:  NG
```

HARD FLOW

ハードウェアフローポートの動作チェックを行います。正常にチェック完了した場合、“OK”と表示します。正常にチェック完了しなかった場合は“NG”と表示します。

11. FACTORY PRESET

This menu is used to reserve and inhibit initialization of the back-up RAM. The signals are processed using EFFECT OFF. (The L/R signal is output using ANALOG MAIN BYPASS.)

```
11. FAC PRESET
PRESET INH
```



```
11. FAC PRESET
PRESET RSRV
```

PRESET INHIBIT (Initialization inhibited) / PRESET INHIBIT (初期化禁止)

RAM initialization is not executed. Select this sub-menu to protect the values set by the user.

RAMの初期化は行われません。ユーザーの設定値を保護するときは、こちらを選択してください。

PRESET RESERVED (Initialization reserved) / PRESET RESERVED (初期化予約)

Initialization of the back-up RAM is reserved. (Actually, initialization is executed the next time that the power is turned on.) Select this sub-menu to reset to the original factory settings or to reset the RAM. Any protection history will be cleared.

バックアップRAMの初期化が予約されます。(実際に初期化されるのは、次回の電源投入時です。)工場出荷時やRAMをリセットしたいときは、こちらを選択してください。

CAUTION: Before setting to the PRESET RESERVED, write down the existing preset memory content of the Tuner in a table as shown below. (This is because setting to the PRESET RESERVED will cause the user memory content to be erased.)

注意：PRESET RESERVEDを選んで初期化をする前に、チューナーのユーザーメモリー内容を下表に書き写してください。(初期化をすると、ユーザーメモリーの内容は消えてしまいます。)

Preset group	P1	P2	P3	P4	P5	P6	P7	P8
A								
B								
C								
D								
E								

• PRESET STATIONS / プリセット局

STATION		FM FACTORY PRESET DATA (MHz)			
PAGE	NO.	U, C	R, T, K, A, B, G, L	J	
A/C/E	1	87.5	87.50	76.0	
	2	90.1	90.10	83.0	
	3	95.1	95.10	84.0	
	4	98.1	98.10	86.0	
	5	107.9	108.00	90.0	
	6	88.1	88.10	78.0	
	7	106.1	106.10	88.0	
	8	107.9	108.00	82.1	

STATION		AM FACTORY PRESET DATA (kHz)			
PAGE	NO.	U, C, R, T, K	A, B, G, L	J	
B/D	1	630	630	630	
	2	1080	1080	1080	
	3	1440	1440	1440	
	4	530	531	531	
	5	1710	1611	1611	
	6	900	900	900	
	7	1350	1350	1350	
	8	1400	1404	1404	

12. AD DATA CHECK

This menu is used to display the A/D conversion value of the main Microprocessor which detects panel keys of the main unit and protection functions in using the sub-menu. During signal processing, the condition before execution is maintained.

When K0/K1 menu is selected, keys become non-operable due to detection of the values of all keys. However, it is possible to advance to the next sub-menu by turning the VOLUME of the main unit. When using this function, note that turning the VOLUME more than 1 click would cause the volume value to change.

* The figures in the diagram are given as reference only.

DC (protection detection)

DC: DC detect protection value (Normal value: 3 to 33)

* If DC is out of the normal value range, the protection function works to turn off the power.

(Reference voltage: 5V=255)

```
12. AD CHECK
DC:021
```

PS1/PS2 (Power supply voltage protection detection)

Power supply voltage protection value (Normal value: PS1: 76 to 106, PS2: 62 to 97)

PS1: Detects $\pm B1$, $\pm B2$, $\pm B4$, $\pm B5$, $\pm 12V$, $+5D1$, $+5D2$, $+5V2$, $+5V3$, $+5VBUS$ (U, C models) and $+2.5D$.

PS2: Detects $+9V$, $\pm 5V$ and $+7V$.

* If PS is out of the normal value range, the protection function works to turn off the power.

(Reference voltage: 5V=255)

```
12. AD CHECK
PS1:091PS2:079
```

TM1/TM2 (temperature detection)

Temperature detected value

(Normal value: 20 to 182)

TM1: Detects the temperatur of the front heat sink.

TM2: Detects the temperatur of the rear heat sink.

(Reference voltage: 5V=255)

```
12. AD CHECK
TM1:059TM2:060
```

12. AD DATA CHECK

本機パネルキー、プロテクションなどを検出しているメインMicroprocessorのA/D変換の値を、サブメニューで表示します。信号処理は実行前の状態を維持します。K0/K1のメニューにすると、全キーの値を検出するためキー操作はできなくなりますが、本機のVOLUMEを回すことにより、次のサブメニューに進めることができます。このとき1クリック以上回すと、ボリューム値が変化するので注意してください。

※図中の数値は参考例です。

DC (プロテクションの検出)

DC: DC検出プロテクションの値(正常値3~33)

※ DCは正常値を外れるとプロテクションが働き、電源オフされます。

(基準電圧: 5V=255)

PS1/PS2 (電源電圧プロテクションの検出)

プロテクションの値(正常値 PS1: 76~106、PS2: 62~97)

PS1: $\pm B1$ 、 $\pm B2$ 、 $\pm B4$ 、 $\pm B5$ 、 $\pm 12V$ 、 $+5D1$ 、 $+5D2$ 、 $+5V2$ 、 $+5V3$ 、 $+2.5D$ を検出しています。

PS2: $+9V$ 、 $\pm 5V$ 、 $+7V$ を検出しています。

※ PSは正常値を外れるとプロテクションが働き、電源オフされます。

(基準電圧: 5V=255)

TM1/TM2 (温度検出)

温度検出値(正常値: 20~176)

TM1: フロントヒートシンクの温度を検出しています。

TM2: リアヒートシンクの温度を検出しています。

(基準電圧: 5V=255)

RECOUT SEL (Select position)

RECOUT SEL (選択位置表示)

```
12. AD CHECK
RECOUT: 244
```

REC OUT Select	Value
V-AUX	46
DVR/VCR2	168
VCR1	138
CBL/SAT	15
DTV	77
DVD	199
SOURCE (/REMOTE)	184
MD/TAPE	61
CD-R	0
CD	122
HONO	153
TUNER	31

POWER LIMITER (Power limiter detection)

Power limiter detection value

The voltage value of pin No. 141 of IC301 is displayed, using 5V/255 as standard.

Based on the input voltage value of pin No. 141 of IC301, the output of pins No. 3 of IC301 is controlled.

POWER LIMITER (パワーリミッターの検出)

パワーリミッター検出の値

IC301の141ピンの電圧値を5V/255を基準にして表示します。

IC301の141ピンの入力電圧値により、IC301の3ピンの出力を制御します。

```
12. AD CHECK
PLIMIT: 000
```

LIMIT

Limiter control value

The voltage at 3 pin of IC301 is displayed with 5V/255 as a standard.

LIMIT

リミッター制御の値

IC301の3ピンの電圧値を5V/255を基準にして表示します。

```
12. AD CHECK
LIMIT: 255
```

FAN

Fan control value

The voltage at 4 pin of IC301 is displayed with 5V/255 as a standard.

FAN

ファン制御の値

IC301の4ピンの電圧値を5V/255を基準にして表示します。

```
12. AD CHECK
FAN: 000
```

FUN DRIVE	Value
OFF	0
LOW	184
MID	214
HIGH	255

MODEL

Model detection value

(Reference voltage: 5V=255)

MODEL

モデル検出の値

(基準電圧: 5V=255)

```
12. AD CHECK
MODEL: 000
```

MODEL	Value
RX-V2600/DSP-AX2600	0
RX-V1600/DSP-AX1600	124
HTR-5990	255

DESTINATION

Destination detection value
(Reference voltage: 5V=255)

DESTINATION

仕向け検出の値
(基準電圧：5V=255)

```
12. AD CHECK
DEST:000
```

DESTINATION	Value
J	0
U, C	27
R	81
T	102

DESTINATION	Value
K	127
A	152
B, G	208
L	229

PANEL KEY (K0/K1)

(Panel key of main unit) [Remote control code: -]
A/D of the key fails to function properly when the standard value is deviated by ± 8 . In this case, check the constant of partial pressure resistor, solder condition, etc. Refer to table.
(Reference voltage: 5V=255)

PANEL KEY (K0/K1)

(本機パネルキー)
キーのA/Dは基準値から ± 8 を外れると、正常な動きをしません。下表をご覧になり、各キーの分圧抵抗の定数、ハンダ不良等の確認をしてください。
(基準電圧：5V=255)

```
12. AD CHECK
K0:255 K1:255
```

Display	K0	K1
0+4	TONE CONTROL	ZONE CONTROL
26 \pm 4	STRAIGHT / EFFECT	A/B/C/D/E
51 \pm 4	TUNING MODE	AUDIO SELECT
77 \pm 4	MEMORY	SPEAKERS A
104 \pm 4	FM/AM	SPEAKERS B
129 \pm 4	PRESET/EDIT	PURE DIRECT
154 \pm 4	PRESET/TUNING \triangleright	—
179 \pm 4	\triangleleft PRESET/TUNING	—
205 \pm 4	—	—
230 \pm 4	—	—
255	KEY OFF	KEY OFF

13. XM STATUS (U, C models)

The output check of XM Radio Antenna is executed.

13. XM STATUS(U, C models)

XM Radio Antennaの出力チェックを行います。

1k -1dB/44.1k

The test tone (1kHz, -1dB/44.1kHz) is output.

1k -1dB/44.1k

テストトーン(1kHz、-1dB/44.1kHz)を出力します。

```
13. XM STATUS
1k - 1dB/44
```

1k -61dB/44.1k

The test tone (1kHz, -61dB/44.1kHz) is output.

1k -61dB/44.1k

テストトーン(1kHz、-61dB/44.1kHz)を出力します。

```
13. XM STATUS
1k -61dB/44
```

Mute /44.1k

Nothing is output.

```
13. XM STATUS
Mute /44
```

Mute /44.1k

何も出力されません。

XM Tone/44.1k

The XM tone (44.1kHz) is output.

```
13. XM STATUS
XM Tone/44
```

XM Tone/44.1k

XMトーン(44.1kHz)を出力します。

ISO Tone/44.1k

The ISO tone (44.1kHz) is output.

```
13. XM STATUS
ISO Tone/44
```

ISO Tone/44.1k

ISOトーン(44.1kHz)を出力します。

1k -1dB/32k

The test tone (1kHz, -1dB/32kHz) is output.

```
13. XM STATUS
1k - 1dB/32
```

1k -1dB/32k

テストトーン(1kHz、-1dB/32kHz)を出力します。

1k -61dB/32k

The test tone (1kHz, -61dB/32kHz) is output.

```
13. XM STATUS
1k -61dB/32
```

1k -61dB/32k

テストトーン(1kHz、-61dB/32kHz)を出力します。

Mute /32k

Nothing is output.

```
13. XM STATUS
Mute /32
```

Mute /32k

何も出力されません。

XM Tone/32k

The XM tone (32kHz) is output.

```
13. XM STATUS
XM Tone/32
```

XM Tone/32k

XMトーン(32kHz)を出力します。

ISO Tone/32k

The ISO tone (32kHz) is output.

```
13. XM STATUS
ISO Tone/32
```

ISO Tone/32k

ISOトーン(32kHz)を出力します。

XM/DT Bus Power: OFF

The power of XM module is turned off.

```
13. XM STATUS
Bus Power:OFF
```

XM/DT Bus Power: OFF

XMモジュールの電源をOFFします。

14. IF STATUS (Input function status)

Using the sub-menu, the status data is displayed one after another in the hexadecimal notation.
During signal processing, the status before execution of this menu is maintained.

* Numeric values in the figure example are for reference.

IS1, 2 (Inside status)

Indicates the status information of the microprocessor.

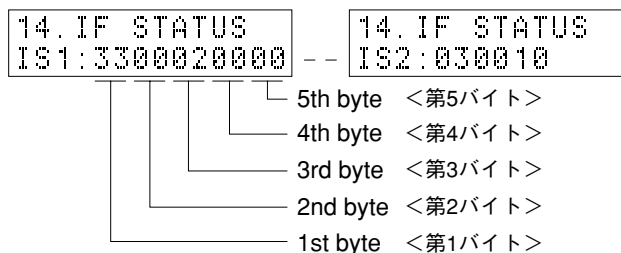
14. IF STATUS

サブメニュー操作により、以下のステータス情報を順次16進数で表示します。信号処理は、本メニュー実行前の状態を維持します。

※ 図中の数値は参考例です。

IS1、2 (内部ステータス)

マイコンのステータス情報を表示します。



<1st byte> Digital input/output setting value
Upper 4 bits: REC OUT selected /
lower 4 bits: INPUT selected

<第1バイト> デジタル入出力設定値
上位4bit REC OUT選択 /
下位4bit INPUT選択

Value	Choice	Preset name
0	NONE	
1	OPT A	V-AUX
2	OPT B	CD
3	OPT C	DVD
4	OPT D	D-TV
6	OPT F	CBL/SAT
8	COAX A	CD
9	COAX B	DVD
A	COAX C	DVR/VCR2

<2nd byte> Fs information of reproduction signal

<第2バイト> 再生信号のFs情報

Display	00	01	02	03	04	05	06	0A	0B	0C	0D
Fs (kHz)	Analog	32	44.1	48	64	88.2	96	Unknown NRM	Unknown DBL	Unknown QUAD	Not defined

<3rd byte> Audio code mode information of reproduction signal

<第3バイト> 再生信号のオーディオコードモード情報

Display	00	01	02	03	04	05	06	07	08	09	0A	0B	0C	0D
Audio Code	1+1	1/0	2/0	3/0	2/1	3/1	2/2	3/2	2/3	3/3	OVER 6.1	MULTI PCE	Unknown	Unknown

<4th byte> Format information of reproduction signal

<第4バイト> 再生信号のフォーマット情報

*1: Analog processing used for digital reproduction is not possible because of a commercial bit or 4-ch audio reason.

*1: 業務用ビットや4chオーディオなどの理由で、デジタル再生できずアナログ処理されます。

Display	Signal format
00	Analog (Unlock)
01	Incorrect Digital (*1)
10	PCM Audio
20	Digital Data
21	IEC1937 Data
22	None PCM
23	Unknown
50	dts
51	Red dts
54	dts-ES MATRIX
58	dts-ES DISCRETE
5C	dts-ES (Both flag)
60	AAC
C0	Dolby Digital
C1	D.D. Karaoke
C4	D.D.6.1 (D.D.EX)

<5th byte> Signal processing status information

*2: With digital signals other than 32kHz, 44.1kHz and 48kHz, through processing method is used for reproducible signals.

<第5バイト>信号処理ステータス情報

*2: 32kHz、44.1kHz、48kHz以外のデジタル信号の場合、再生可能な信号についてはスルー処理されます。

bit7	MUTE request	bit3	-
bit6	Red dts flashing	bit2	Through & bypass (*2)
bit5	6.1/EX processing	bit1	-
bit4	FULL MUTE (ON: 1)	bit0	dts analog mute

CS1~3 (Channel status):

Indicates channel status information of the input signal (IEC60958).

CS1~3 (Channel status):

入力信号のIEC60958チャンネルステータス情報を表示します。

```
14. IF STATUS
CS1: FFFFFFFF --- 14. IF STATUS
CS3: FF325400
```

BS1~10: Indicates information of the bit stream included in the dts and Dolby Digital signals.

BS1~10: dts、Dolby Digital、AAC信号に含まれるビットストリームインフォメーション情報を表示します。

```
14. IF STATUS
BS1: 0000000000 --- 14. IF STATUS
BS10: 000000
```

TI1~2:

TI1~2:

```
14. IF STATUS
TI1: 0000000600 --- 14. IF STATUS
TI2: 00
```

MTT: Mute Trigger

MTT: Mute Trigger

```
14. IF STATUS
MTT: 00180018FF
```

Byte No.	Function
1	Mute condition
2	Factor of the last mute
3	Error count of YSS930-FSCNT
4	Mute count by YSS930-FSCNT
5	Error factor of down load of CS49329

15. PROTECTION SETTING

Not applied to this model.

PS_Lo:

```
15. PROTECTION
PS_Lo: 0076
```

PS_Hi:

```
15. PROTECTION
PS_Hi: 0106
```

DC_Lo:

```
15. PROTECTION
DC_Lo: 0003
```

DC_Hi:

```
15. PROTECTION
DC_Hi: 0033
```

FAN_0~5:

```
15. PROTECTION 15. PROTECTION
FAN_0: 0063 ----- FAN_5: 0069
```

TEMP:

```
15. PROTECTION
TEMP : 0090
```

PL_8_M_L:

```
15. PROTECTION
PL_8_M_L:0160
```

```
15. PROTECTION
PL_8_M_H:0189
```

```
15. PROTECTION
PL_8_N_L:0160
```

```
15. PROTECTION
PL_8_N_H:0189
```

```
15. PROTECTION
PL_6_M_L:0150
```

```
15. PROTECTION
PL_6_M_H:0180
```

```
15. PROTECTION
PL_6_N_L:0150
```

```
15. PROTECTION
PL_6_N_H:0180
```

15. PROTECTION SETTING

このモデルには適用されません。

PS_Lo:

PS_Hi:

DC_Lo:

DC_Hi:

FAN_0~5:

TEMP:

PL_8_M_L:

16. PROTECTION HIST.

The history of protection function is displayed.
 After selecting the sub-menu, press the "STRAIGHT" key, and the history will be erased.

16. PROTECTION HIST.

プロテクション履歴を表示します。
 サブメニューを選んだ後、“STRAIGHT”キーを押すと履歴は消去されます。

Last

```
16. PROTE HIST.
LAST:
```

Last

History1

```
16. PROTE HIST.
HIST1:
```

History1

History2

```
16. PROTE HIST.
HIST2
```

History2

History3

```
16. PROTE HIST.
HIST3:
```

History3

17. DSP CHECK

Whether the bus of DSP P.C.B. is connected properly or not is self-diagnosed.

17. DSP CHECK

DSP P.C.B.のバス接続の正否を自己診断します。

TI BUS

TI (IC512) data bus check is executed.

TI BUS

TI(IC512)のデータバスチェックを行います。

```
17. DSP CHECK
TI BUS:NoEr
```

YSS-930 BUS

YSS-930 (IC516, IC518) data bus check is executed.

YSS-930 BUS

YSS-930 (IC516、IC518)のデータバスチェックを行います。

```
17. DSP CHECK
YSS BUS:NoEr
```

Display	Description
WAIT	Bus is being checked.
NoEr	No error detected.
DATA	Data bus shorted or open.
RSCS	/RAS or /CAS shorted, or open.
ADDR	Address bus shorted or open.

表示	判断
WAIT	バスチェック中
NoEr	不良検出なし
DATA	データバスの短絡・解放
RSCS	/RASまたは/CASの短絡・解放
ADDR	アドレスバスの短絡・解放

18. D-VIDEO CHECK

Whether the bus of D-VIDEO P.C.B. is connected properly or not is self-diagnosed.

ALL Check

The synthetic judgment result is displayed.

- OK : No error detected
- NG : An error is detected
- No Check : Detection is not executed

```
18.DVIDEO CHK
ALL:OK
```

Microprocessor/Flash Check

The data bus check of Microprocessor (IC501) and Flash (IC507) is executed.

- OK : No error detected
- NG : An error is detected

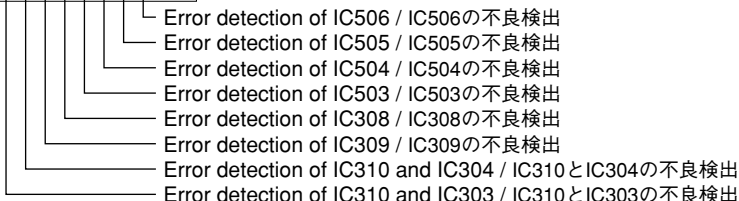
```
18.DVIDEO CHK
M:OK F:OK
```

I2C Read Check

The Line check of I2C is executed.

- OK : 0
- NG : 1

```
18.DVIDEO CHK
I2C:00000000
```



YGV BUS Check

Not applied to this model.

```
18.DVIDEO CHK
YGV:NoError
```

18. D-VIDEO CHECK

D-VIDEO P.C.B.のバス接続の正否を自己診断します。

ALL Check

総合判定結果を表示します。

- OK : 不良検出なし
- NG : 不良検出あり
- No Check : 未検出

Microprocessor/Flash Check

Microprocessor (IC501) とFlash (IC507) のデータバスチェックを行います。

- OK : 不良検出なし
- NG : 不良検出あり

I2C Read Check

I2Cラインのチェックを行います。

- OK : 0
- NG : 1

YGV BUS Check

このモデルには適用されません。

19. HDMI INFORMATION

HDMI Model Name

The model name of this unit written in HDMI module is displayed.

- RX-V2600 (U, C, R, T, K, A, B, G, L models)
- DSP-AX2600 (J model)

```
19.HDMI INFO
HMN:DSP-AX2600
```

19. HDMI INFORMATION

HDMI Model Name

HDMIモジュールに書き込まれている本機のモデル名を表示します。

- RX-V2600 (U, C, R, T, K, A, B, G, L models)
- DSP-AX2600 (J model)

HDMI Product ID

The product ID of this unit written in HDMI module is displayed.

3107 (U, C, R, T, K, A, B, G, L models)
3106 (J model)

HDMI Product ID

HDMIモジュールに書き込まれている本機のプロダクトIDを表示します。

3107(U、C、R、T、K、A、B、G、L models)
3106(J model)

```
19. HDMI INFO
HPI: 3106
```

HDMI Vendor Name

The vendor name (YAMAHA) of this unit written in the HDMI module is displayed.

HDMI Vendor Name

HDMIモジュールに書き込まれている本機のベンダ名 (YAMAHA) を表示します。

```
19. HDMI INFO
HVN: YAMAHA
```

20. HDMI SELECT**HDMI NONE: No Connect**

Neither HDMI IN 1 terminal nor HDMI IN 2 terminal is selected for input.

20. HDMI SELECT**HDMI NONE: No Connect**

HDMI IN 1端子とHDMI IN 2端子のどちらも入力セレクトしません。

```
20. HDMI SELECT
HDMI NONE
```

HDMI IN 1: HDMI IN 1 Port

The HDMI device connected to HDMI IN 1 terminal is selected for input and HDMI is reproduced.

With the audio input terminal selection set to HDMI (Fix), SPDIF or I2S is selected automatically according to the audio format which is used for HDMI input.
Support Audio is set to "others".

HDMI IN 1: HDMI IN 1 Port

HDMI IN 1端子に接続したHDMI機器を入力セレクトして、HDMI再生します。

音声入力端子切替は、HDMI(Fix)に設定し、HDMI入力した音声フォーマットに従ってSPDIFとI2Sを自動で切り替えます。
対応音声(Support Audio)を、その他の機器(others)に設定します。

```
20. HDMI SELECT
HDMI IN 1
```

HDMI IN 2: HDMI IN 2 Port

The HDMI device connected to HDMI IN 2 terminal is selected for input and HDMI is reproduced.

With the audio input terminal selection set to HDMI (Fix), SPDIF or I2S is selected automatically according to the audio format which is used for HDMI input.
Support Audio is set to "others".

HDMI IN 2: HDMI IN 2 Port

HDMI IN 2端子に接続したHDMI機器を入力セレクトして、HDMI再生します。

音声入力端子切替は、HDMI(Fix)に設定し、HDMI入力した音声フォーマットに従ってSPDIFとI2Sを自動で切り替えます。
対応音声(Support Audio)を、その他の機器(others)に設定します。

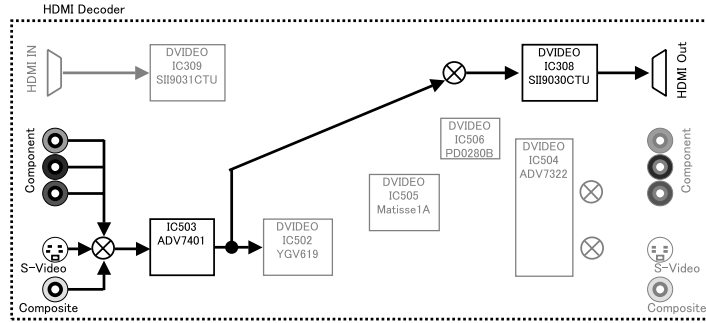
```
20. HDMI SELECT
HDMI IN 2
```

21. HDMI UPCONV

The image signal is converted and output to HDMI OUT as follows.

HDMI Decoder

21. HDMI UPCONV
HDMI DECODER



21. HDMI UPCONV

映像信号が以下のように変換され、HDMI OUTに出力されます。

HDMI Decoder

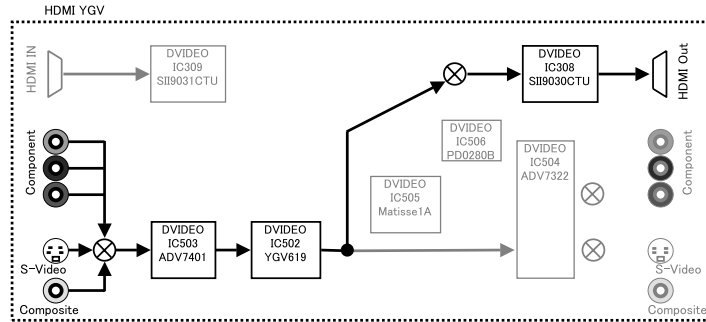
HDMI YGV

Not applied to this model.

HDMI YGV

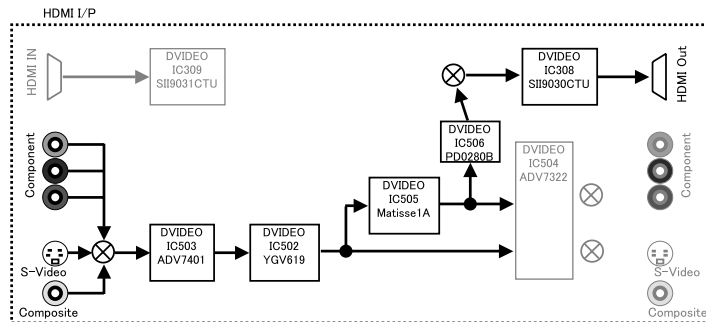
このモデルには適用されません。

21. HDMI UPCONV
HDMI YGV



HDMI I/P

21. HDMI UPCONV
HDMI I/P



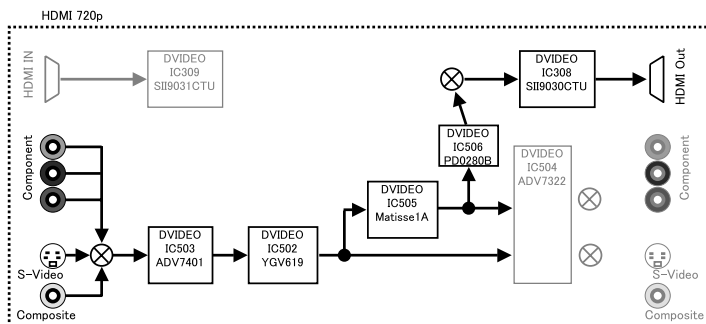
HDMI 720p

Not applied to this model.

HDMI 720p

このモデルには適用されません。

21. HDMI UPCONV
*HDMI 720P



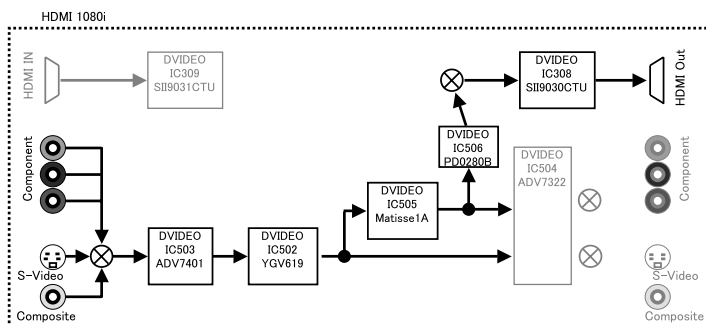
HDMI 1080i

Not applied to this model.

HDMI 1080i

このモデルには適用されません。

21. HDMI UPCONV
*HDMI 1080i



22. VIDEO

The image signal is converted and output as follows.

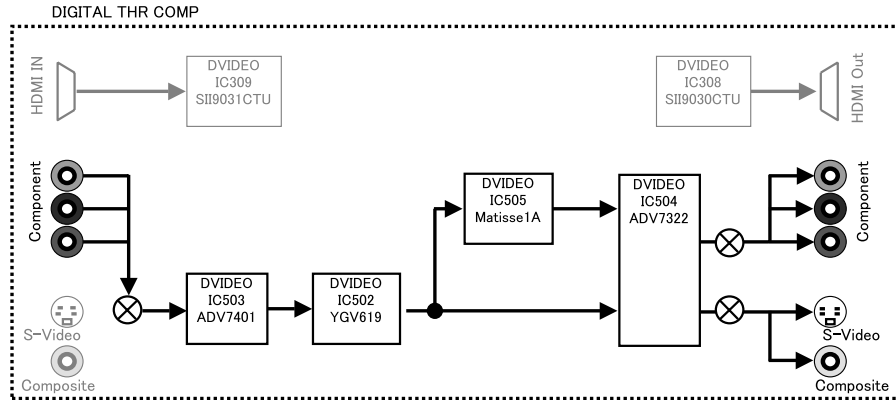
22. VIDEO

映像信号が以下のように変換され、出力されます。

DIGITAL THR COMP

DIGITAL THR COMP

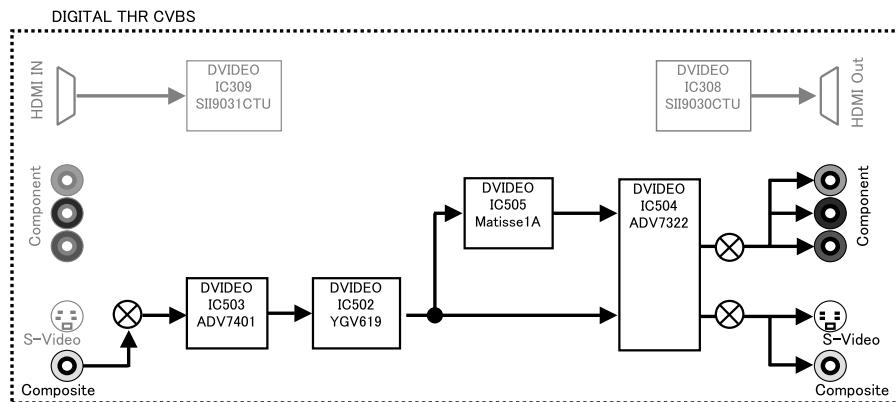
22. VIDEO
DIGITAL COMP



DIGITAL THR CVBS

DIGITAL THR CVBS

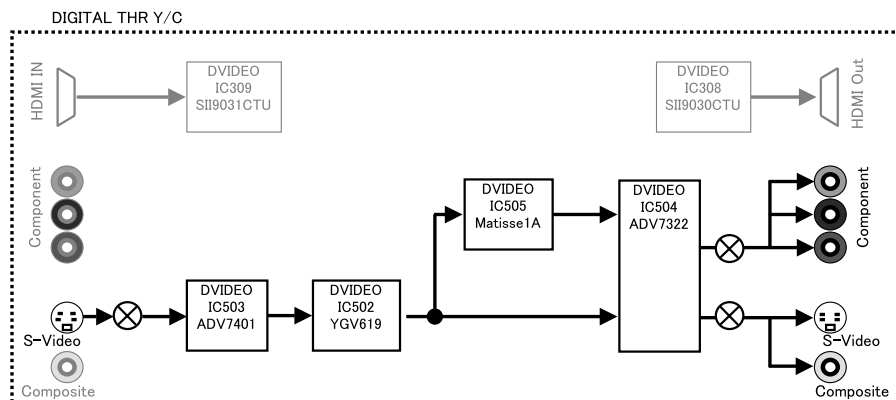
22. VIDEO
DIGITAL CVBS



DIGITAL THR Y/C

DIGITAL THR Y/C

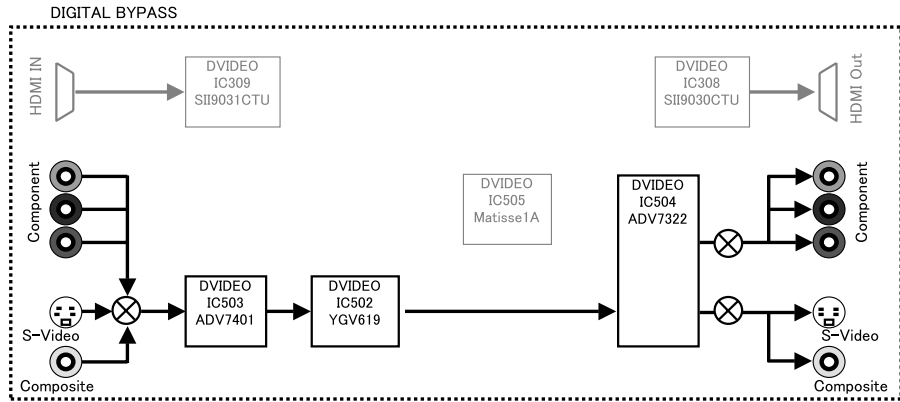
22. VIDEO
DIGITAL Y/C



DIGITAL BYPASS

DIGITAL BYPASS

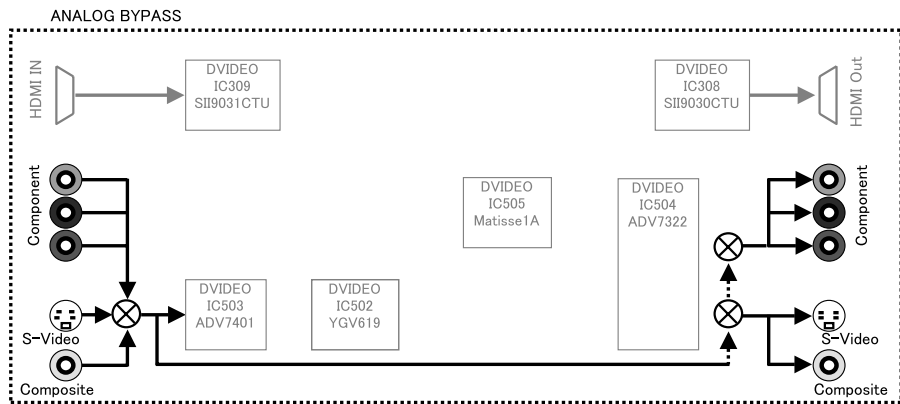
22. VIDEO
DIGITAL BYPASS



ANALOG BYPASS

ANALOG BYPASS

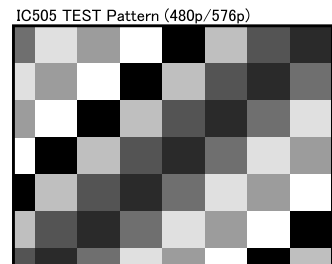
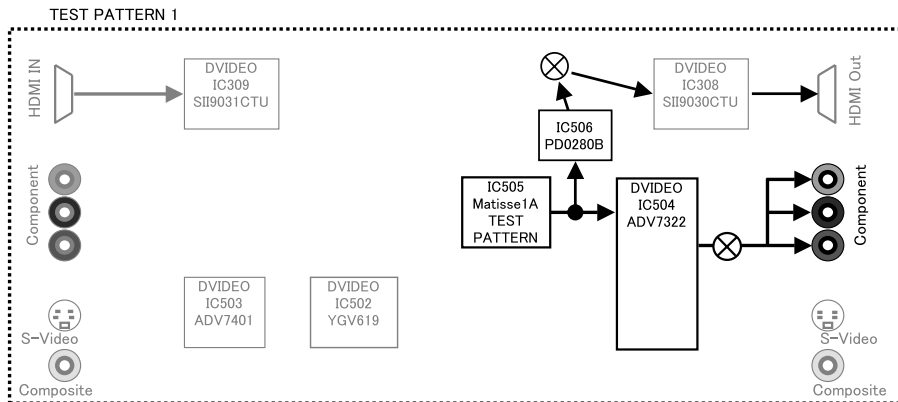
22. VIDEO
ANALOG BYPASS



TEST PATTERN 1

TEST PATTERN 1

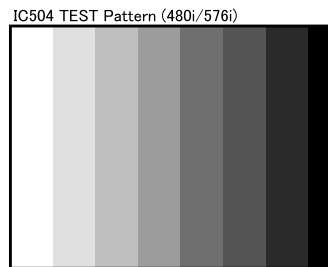
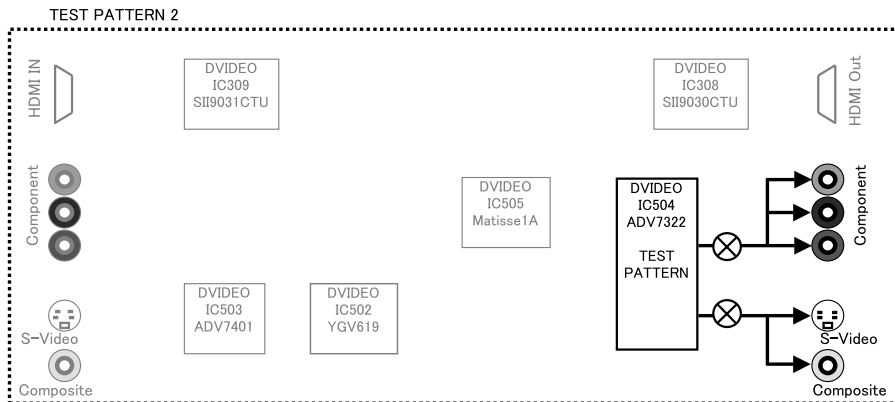
22. VIDEO
TEST PATTERN 1



TEST PATTERN 2

TEST PATTERN 2

22. VIDEO
TEST PATTERN 2



VIDEO INFO

VIDEO INFO

22. VIDEO
VIDEO INFO

23. BUS CHECK

Not applied to this model.

TI FLASH READ

```
23. BUS CHECK
TI FLASH R
```

TI FLASH WRITE

```
23. BUS CHECK
TI FLASH W
```

TI SDRAM READ

```
23. BUS CHECK
TI SDRAM R
```

TI SDRAM WRITE

```
23. BUS CHECK
TI SDRAM W
```

YGV READ

```
23. BUS CHECK
YGV BUS R
```

YGV WRITE

```
23. BUS CHECK
YGV BUS W
```

23. BUS CHECK

このモデルには適用されません。

TI FLASH READ

TI FLASH WRITE

TI SDRAM READ

TI SDRAM WRITE

YGV READ

YGV WRITE

24. FLASH 232C

Select this when writing the firmware.

MAIN

Writing of MAIN.

```
24. FLASH 232C
MAIN
```

VIDEO

Writing of VIDEO.

```
24. FLASH 232C
VIDEO
```

TI

Writing of DSP.

```
24. FLASH 232C
TI
```

24. FLASH 232C

ファームウェアの書き込み時に選択します。

MAIN

MAINの書き込み。

VIDEO

VIDEOの書き込み。

TI

DSPの書き込み。

25. SET INFO

The information on the model and destination is displayed.

MODEL: V2600

```
25. SET INFO
MODEL: V2600
```

DEST.: J, UC, R, T, K, A, BG, L

J, UC, R, T, K, A, BG or L is displayed.

```
25. SET INFO
DEST. : J
```

25. SET INFO

モデル、仕向けの情報を表示します。

MODEL: V2600

DEST.: J, UC, R, T, K, A, BG, L

J、UC、R、T、K、A、BG、Lのいずれかを表示します。

26. SOFT SW

This menu is used to switch the function settings on P.C.B. through the software so as to activate the product.

The protection function follows the P.C.B. settings. When connected to AC or in the maker preset state, the unit is initialized to the P.C.B. setting. Display of each function after initialization varies depending on settings on P.C.B.. The operation mode can be changed by selecting the sub-menu and then using the "STRAIGHT" key.

SW MODE: PCB/SOFT

PCB or SOFT can be selected.

```
26. SOFT SW
SW MODE : PCB
```

26. SOFT SW

P.C.B.上の機能設定をソフト的に切り替えて、製品を動作させる機能です。

プロテクション機能は、P.C.B.の設定に従います。AC接続またはメーカープリセットで、P.C.B.の設定に初期化されます。初期化後の各機能の表示は、P.C.B.上の設定によります。操作は、サブメニューを選んだ後、“STRAIGHT”キーで切り替えます。

SW MODE: PCB/SOFT

PCBまたはSOFTを選択できます。

VIDEO FORMAT: NTSC/PAL

NTSC or PAL can be selected.
 NTSC (U, C, R, K, J models)
 PAL (T, A, B, G, L models)

VIDEO FORMAT: NTSC/PAL

NTSC、PALいずれかを選択できます。
 NTSC (U、C、R、K、J models)
 PAL (T、A、B、G、L models)

```
26. SOFT SW
TV FORMAT:
```

AAC EXIST: EXIST/NOT

EXIST or NOT can be selected.
 EXIST (J model)
 NOT (U, C, R, T, K, A, B, G, L models)

AAC EXIST: EXIST/NOT

EXIST、NOTいずれかを選択できます。
 EXIST (J model)
 NOT (U、C、R、T、K、A、B、G、L models)

```
26. SOFT SW
AAC:
```

CSII EXIST: EXIST/NOT

EXIST or NOT can be selected.
 EXIST (J model)
 NOT (U, C, R, T, K, A, B, G, L models)

CSII EXIST: EXIST/NOT

EXIST、NOTいずれかを選択できます。
 EXIST (J model)
 NOT (U、C、R、T、K、A、B、G、L models)

```
26. SOFT SW
CSII:
```

RDS EXIST: EXIST/NOT

EXIST or NOT can be selected.
 EXIST (B, G models)
 NOT (U, C, R, T, K, A, L, J models)

RDS EXIST: EXIST/NOT

EXIST、NOTいずれかを選択できます。
 EXIST (B、G models)
 NOT (U、C、R、T、K、A、L、J models)

```
26. SOFT SW
RDS:
```

XM EXIST: EXIST/NOT

EXIST or NOT can be selected.
 EXIST (U, C models)
 NOT (R, T, K, A, B, G, L, J models)

XM EXIST: EXIST/NOT

EXIST、NOTいずれかを選択できます。
 EXIST (U、C models)
 NOT (R、T、K、A、B、G、L、J models)

```
26. SOFT SW
XM:
```

TMP TEST J/UC/RL

J, UC or RL can be selected.
 J (J model)
 UC (U, C, T, K, A, B, G models)
 RL (R, L models)

TMP TEST J/UC/RL

J、UC、RLいずれかを選択できます。
 J (J model)
 UC (U、C、T、K、A、B、G models)
 RL (R、L models)

```
26. SOFT SW
TMP TEST J
```


27. ROM VER/SUM

The version and checksum are displayed. The signal is processed using EFFECT OFF. The checksum is obtained by adding the data at every 8 bits for each program area and expressing the result as a 4-figure hexadecimal data.

27. ROM VER/SUM

プログラムのバージョン、チェックサムを表示します。信号はエフェクトOFFです。チェックサムは、プログラムエリア別にデータを8ビットごとに加算していき、4桁の16進データで現したものです。



■ AMP ADJUSTMENT / アンプ部調整

Confirmation of Idling Current of Amp

Unit

- Right after power is turned on, confirm that the voltage across the terminals of R319 (MAIN Lch), R320 (MAIN Rch), R325 (CENTER), R326 (SURROUND Lch), R327 (SURROUND Rch), R321 (SURROUND BACK Lch), R322 (SURROUND BACK Rch) are between 0.1mV and 10.0mV.
- If it exceeds 10.0mV, open (cutoff) R291 (MAIN Lch), R292 (MAIN Rch), R295 (CENTER), R296 (SURROUND Lch), R297 (SURROUND Rch), R293 (SURROUND BACK Lch), R294 (SURROUND BACK Rch) and reconfirm the voltage.

Attention

If the idle current exceeds 10.0mV after an amplifier repair, first check for a defective component before cutting the bias resistor.

- Confirm that the voltage is 0.2 mV ~ 15.0 mV after 60 minutes.

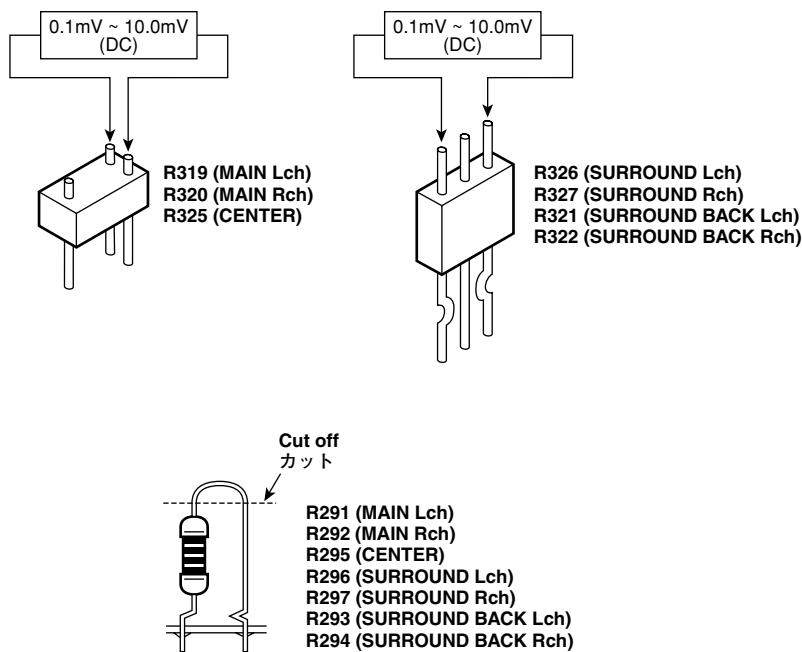
アンプユニットのアイドル電流の確認

- 電源投入直後、R319 (MAIN Lch)、R320 (MAIN Rch)、R325 (CENTER)、R326 (SURROUND Lch)、R327 (SURROUND Rch)、R321 (SURROUND BACK Lch)、R322 (SURROUND BACK Rch)の端子間電圧を測定し、0.1mVから10.0mVの間であることを確認してください。
- 電圧が10mVを超えている場合は、R291 (MAIN Lch)、R292 (MAIN Rch)、R295 (CENTER)、R296 (SURROUND Lch)、R297 (SURROUND Rch)、R293 (SURROUND BACK Lch)、R294 (SURROUND BACK Rch)をカットし、電圧を再確認してください。

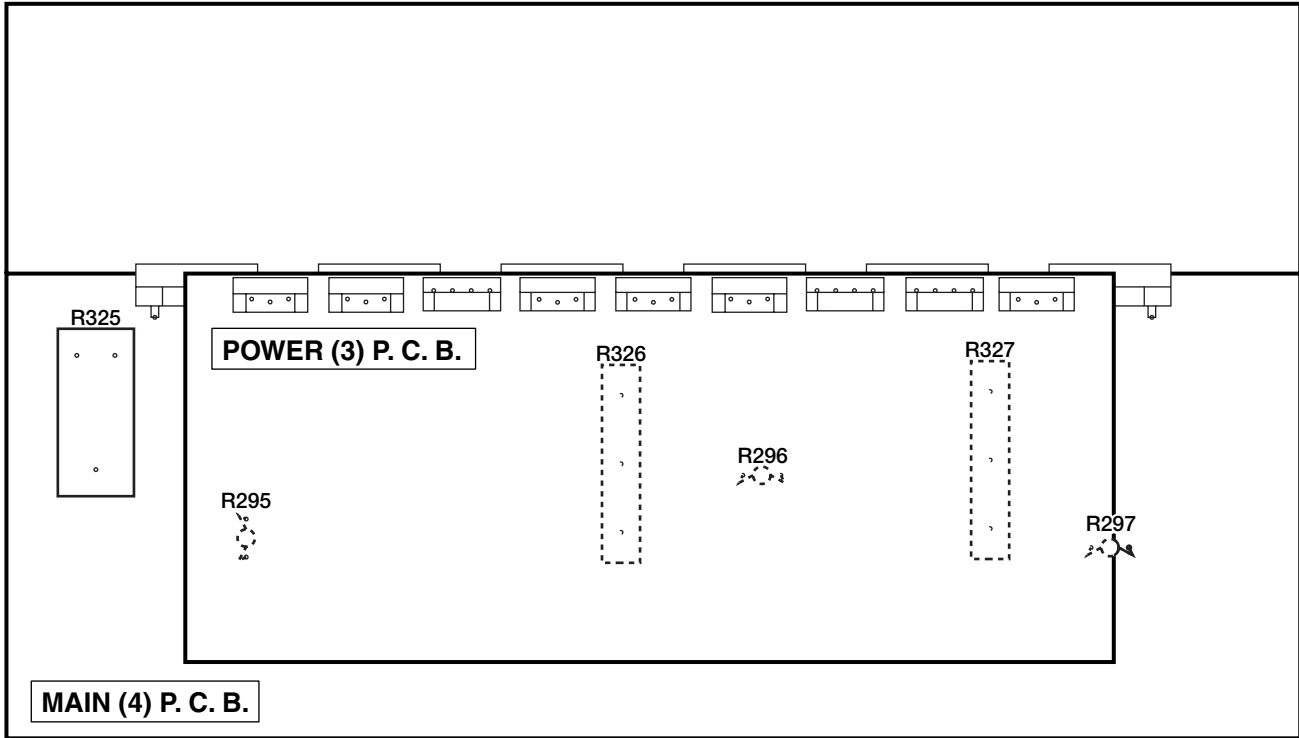
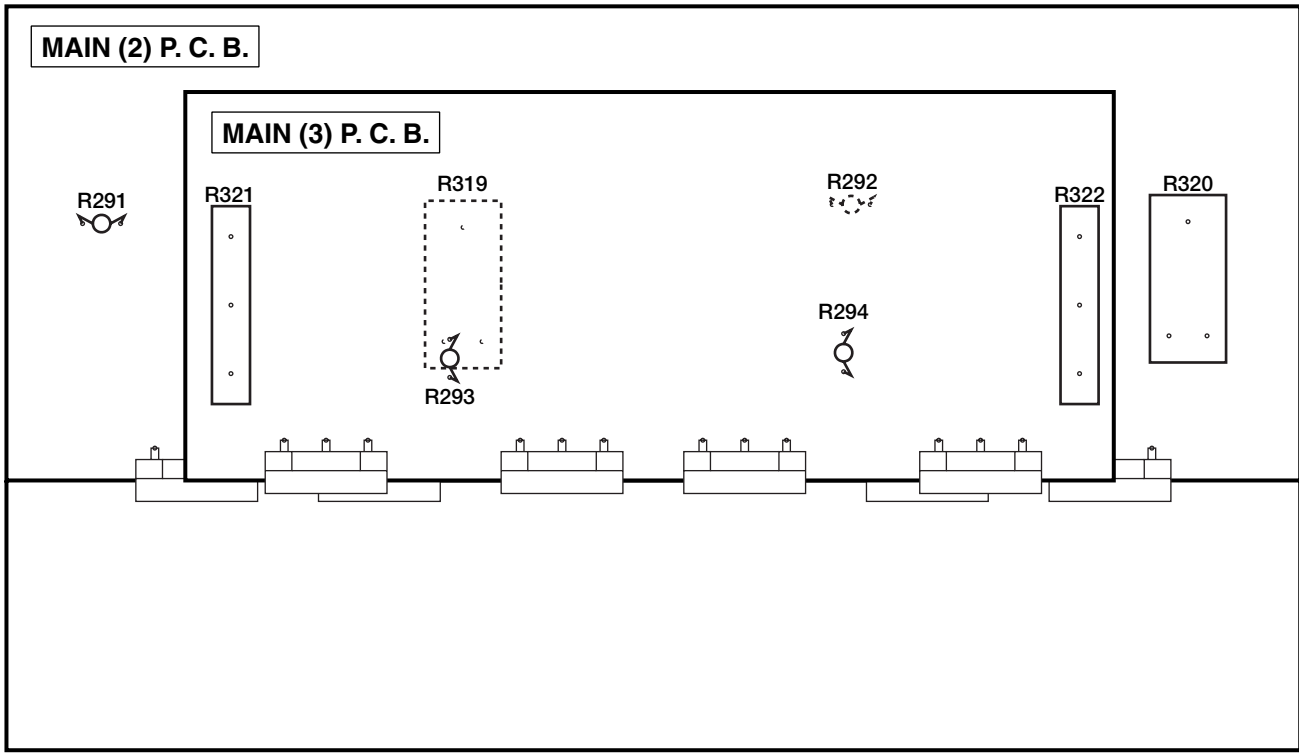
注意

パワーアンプ修理後に10.0mVを超えている場合は、抵抗をカットする前に故障箇所を調べてください。

- 60分後、電圧が0.2mV～15.0mVであることを確認してください。



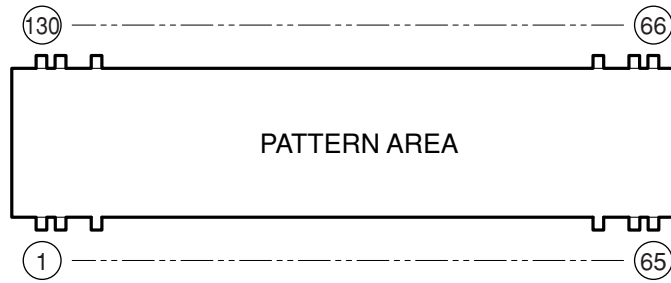
REAR



FRONT

■ DISPLAY DATA

● V600 : HNA-16ML10T (WF875800)

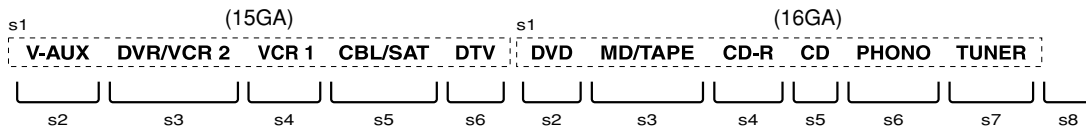
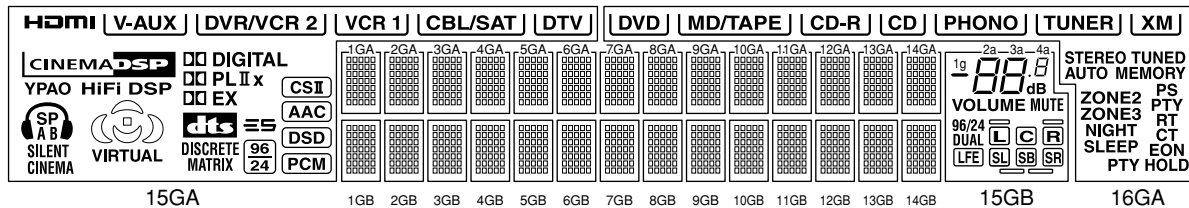


● PIN CONNECTION

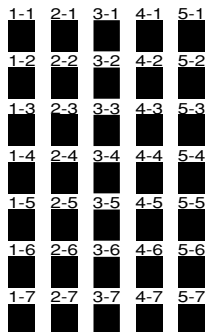
Pin No.	130	129	128	127	126	125	124	123	122	121	120	119	118	117	116	115	114	113	112	111	110	109	108	107	106	105	104	103	102	101	100	99		
Connection	F1	F1	NP	NP	P _{35A}	P _{34A}	P _{33A}	P _{32A}	P _{31A}	P _{30A}	P _{29A}	P _{28A}	P _{27A}	P _{26A}	P _{25A}	P _{24A}	P _{23A}	P _{22A}	P _{21A}	P _{20A}	P _{19A}	P _{18A}	P _{17A}	P _{16A}	P _{15A}	P _{14A}	P _{13A}	P _{12A}	P _{11A}	P _{10A}	P _{9A}	P _{8A}		
Pin No.	98	97	96	95	94	93	92	91	90	89	88	87	86	85	84	83	82	81	80	79	78	77	76	75	74	73	72	71	70	69	68	67	66	
Connection	P _{7A}	P _{6A}	P _{5A}	P _{4A}	P _{3A}	P _{2A}	P _{1A}	NX	NX	NX	NX	NX	NX	16GA	15GA	14GA	13GA	12GA	11GA	10GA	9GA	8GA	7GA	6GA	5GA	4GA	3GA	2GA	1GA	NP	NP	F2	F2	
Pin No.	34	35	36	37	38	39	40	41	42	43	44	45	46	47	48	49	50	51	52	53	54	55	56	57	58	59	60	61	62	63	64	65		
Connection	P _{8B}	P _{9B}	P _{10B}	P _{11B}	P _{12B}	P _{13B}	P _{14B}	P _{15B}	P _{16B}	P _{17B}	P _{18B}	P _{19B}	P _{20B}	P _{21B}	P _{22B}	P _{23B}	P _{24B}	P _{25B}	P _{26B}	P _{27B}	P _{28B}	P _{29B}	P _{30B}	P _{31B}	P _{32B}	P _{33B}	P _{34B}	P _{35B}	NP	NP	F2	F2		
Pin No.	1	2	3	4	5	6	7	8	9	10	11	12	13	14	15	16	17	18	19	20	21	22	23	24	25	26	27	28	29	30	31	32	33	
Connection	F1	F1	NP	NP	1GB	2GB	3GB	4GB	5GB	6GB	7GB	8GB	9GB	10GB	11GB	12GB	13GB	14GB	15GB	NX	NX	NX	NX	NX	NX	NX	NX	1B	2B	3B	4B	5B	6B	7B

Note: 1) F1, F2 Filament pin 2) 1GA~16GA, 1GB~15GB Grid pin 3) P1A~P35A, P1B~P35B Anode pin 4) NP No pin 5) NX No extended pin

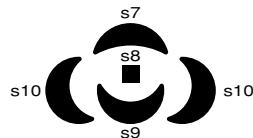
● GRID ASSIGNMENT



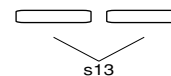
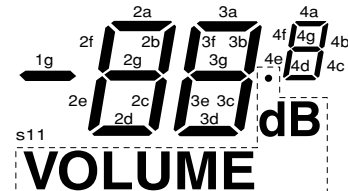
(1GA~14GA, 1GB~14GB)




(15GA)



(15GB)



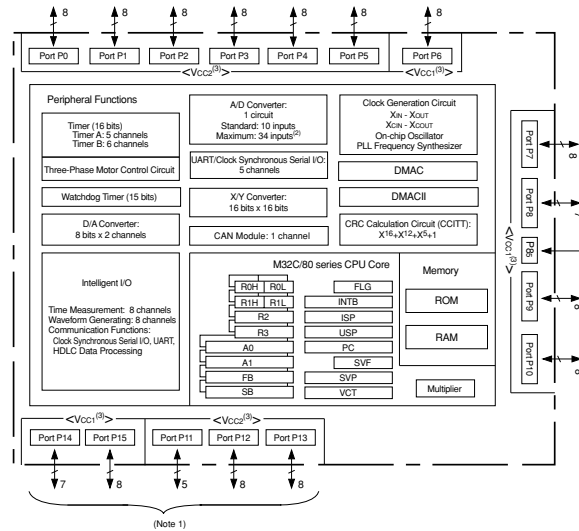
● ANODE CONNECTION

	1GA~14GA	15GA	16GA
P1A	1-1	HDMI	s1
P2A	2-1	s1	s2
P3A	3-1	s2	s3
P4A	4-1	s3	s4
P5A	5-1	s4	s5
P6A	1-2	s5	s6
P7A	2-2	s6	s7
P8A	3-2	CINEMA DSP	s8
P9A	4-2	YPAO	STEREO
P10A	5-2	HIFI DSP	TUNED
P11A	1-3		AUTO
P12A	2-3	SP	MEMORY
P13A	3-3	A	ZONE2
P14A	4-3	B	ZONE3
P15A	5-3	SILENT CINEMA	NIGHT
P16A	1-4	s7	SLEEP
P17A	2-4	s8	PS
P18A	3-4	s9	PTY
P19A	4-4	s10	RT
P20A	5-4	VIRTUAL	CT
P21A	1-5	DIGITAL	EON
P22A	2-5	PL	PTY HOLD
P23A	3-5	II	XM
P24A	4-5	x	
P25A	5-5	EX	
P26A	1-6	ds	
P27A	2-6	ES	
P28A	3-6	DISCRETE	
P29A	4-6	MATRIX	
P30A	5-6	96/24	
P31A	1-7	CSII	
P32A	2-7	AAC	
P33A	3-7	DSD	
P34A	4-7	PCM	
P35A	5-7		

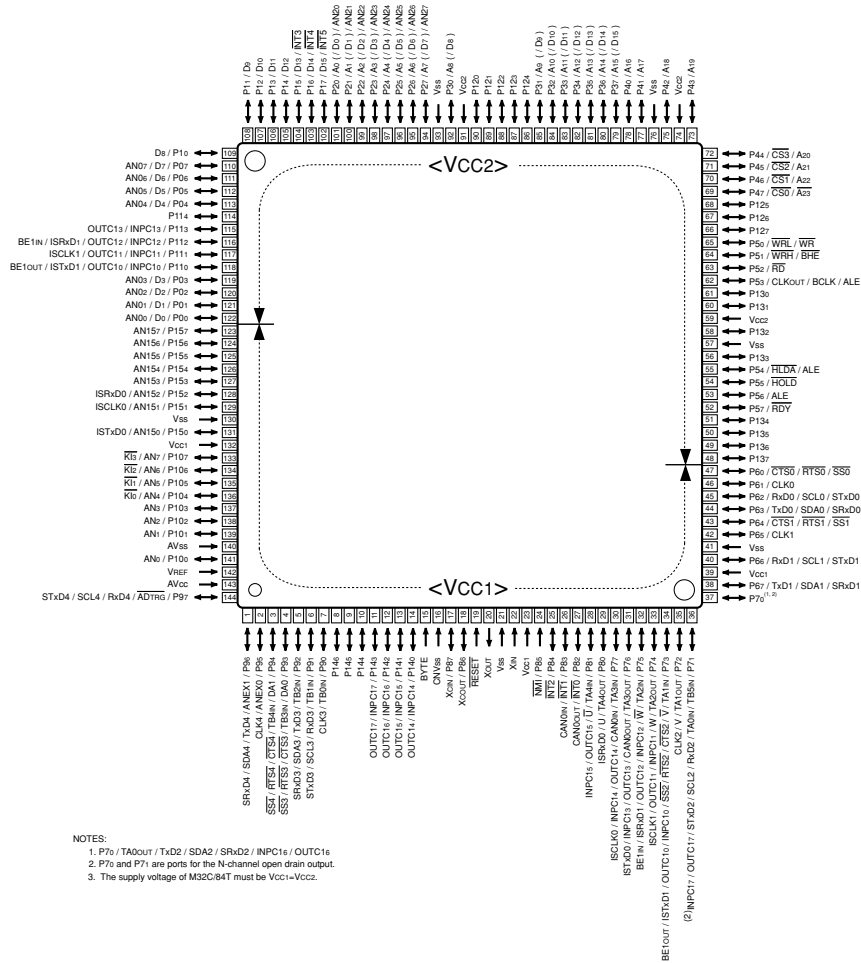
	1GB~14GB	15GB
P1B	1-1	1g
P2B	2-1	2a
P3B	3-1	2b
P4B	4-1	2c
P5B	5-1	2d
P6B	1-2	2e
P7B	2-2	2f
P8B	3-2	2g
P9B	4-2	3a
P10B	5-2	3b
P11B	1-3	3c
P12B	2-3	3d
P13B	3-3	3e
P14B	4-3	3f
P15B	5-3	3g
P16B	1-4	4a
P17B	2-4	4b
P18B	3-4	4c
P19B	4-4	4d
P20B	5-4	4e
P21B	1-5	4f
P22B	2-5	4g
P23B	3-5	s11
P24B	4-5	MUTE
P25B	5-5	96/24
P26B	1-6	DUAL
P27B	2-6	LFE
P28B	3-6	L
P29B	4-6	C
P30B	5-6	R
P31B	1-7	SL
P32B	2-7	SB
P33B	3-7	SR
P34B	4-7	s12
P35B	5-7	s13

IC DATA

IC301: M30845FJGP (FUNCTION P.C.B) 16-bit Microprocessor



- NOTES:
1. Ports P11 to P15 are provided in the 144-pin package only.
 2. Included in the 144-pin package only.
 3. The supply voltage of M32C84T (High-reliability version) must be Vcc1-Vcc2.



- NOTES:
1. P76 / TADout / TxD2 / SDA2 / SRxD2 / INPC16 / OUTC16
 2. P76 and P71 are ports for the N-channel open drain output.
 3. The supply voltage of M32C84T must be Vcc1-Vcc2.

IC301: M30845FJGP (FUNCTION P.C.B)

16-bit Microprocessor

No.	Port Name	Terminal Name (P.C.B.)	I/O			Function
			PowerOn	Standby	MCUSleep [OFF]	
1	TXD4	TXDH (MtoV)	SO	O	O	Data transmits to VIDEO_CPU
2	CLK4	CLKH	SO	O	O	Clock transmits to VIDEO_CPU
3	DA1	LIMIT	DA	O	O	Limiter control output
4	DA0	FAN	DA	O	O	Temperature control FAN control output
5	SDA3/TXD3/TB2in	HDIMT	TMR	O	O	HDMI MUTE input
6	SCL3/RXD3/TB1in	/EN232C	I	O	O	VIDEO_CPU 232C communication line enable control
7	TB0in	HRES	TMR	O	O	VIDEO_CPU response return input
8	P146	/ICH	O	O	O	VIDEO_CPU reset
9	P145	HREQ	TMR	O	O	VIDEO_CPU transmission demand input
10	P144	DMT	O	O	O	Digital FULL MUTE (HI=MUTE)
11	P143	/CSDAC3	O	O	O	
12	P142	/CSDAC2	O	O	O	* Chip enable for S, C, SW2chDAC (Reserve)
13	P141	/CSDAC1	O	O	O	2shDAC (PCM1791A) * Chip enable for 6
14	P140	/CSY	O	O	O	* Chip enable for YSS930 (#0 / #1 Common)
15	BYTE	BYTE	MCU	MCU	MCU	External data bus width change: 16 bit
16	CNVss	CNVss	MCU	MCU	MCU	Processor mode selection: Single chip mode/Hi: To boot mode with a built-in flash/At the time of hard reset: It is to boot mode at P50=H, P55=L, and CNVss=H
17	P87	/ICD	O	O	O	DIR initial clear
18	P86	/ICTI	O	O	O	TI initial clear
19	RESET	RESET	MCU	MCU	MCU	
20	Xout	Xout	MCU	MCU	MCU	
21	Vss	Vss	MCU	MCU	MCU	
22	Xin	Xin	MCU	MCU	MCU	
23	Vcc	Vcc	MCU	MCU	MCU	
24	NMI	NMI	IRQ	I	I	
25	INT2	REM1	IRQ	IRQ	IRQ	Remote control pulse input 1
26	INT1	REM2	IRQ	IRQ	IRQ	Remote control pulse input 2/Remote control pulse input for zone remote control
27	INT0	RXDR	IRQ	IRQ	IRQ	RS232C/YDC reception detection
28	TA4in	/VSYNC	TMR	O	O	Vertical sync pulse INT
29	P80	/CSTI	O	O	O	Chip enable for TI decoder DSP DA601
30	TA3in/P77	TIBUSY	I	O	O	TI BUSY detection/CDDA write-in DATA input
31	P76	SPIRDY	I / I	O / O	O / O	DA601 GP0(0): TI DA601 Serial Ready / DRI WCK output: DIR WCK input (WCK input for CDDA writing)
32	TA2in	/INTTI	TMR	O	O	TI (DA601) interruption
33	P74	/CSDIR	O	O	O	Chip enable for DIR
34	TA1in	/INTDIR	TMR	O	O	DIR interruption
35	P72/CLK2/TA1out	BT232C	I / I	I / I	O / O	RS232C flash write-in mode detection / MULTI CH INPUT key detection
36	P71/RxD2/SCO2	DRXM	SI	O	O	DABIC IC RxD (XM data reception) / 1.5k pull up to +5SPC
37	P70/TxD2/SDA2	DTXM	SO	O	O	DABIC IC TxD / 1.5k pull up to +5SPC
38	P67/TxD1	TXDR	SO / SO	SO / SO	O / SO	RS232C: Usual RS-232C asynchronous communication data output / YDC: Transmitting terminal for AF220
39	Vcc	Vcc	MCU	MCU	MCU	
40	P66/RxD1	RXDR	SI / SI	SI / SI	SI [O] / SI	Usual RS-232C asynchronous communication data input / At the time of 232C driver OFF, since driver output is set to HiZ, it is LowFix processing / Transmitting terminal for AF220
41	Vss	Vss	MCU	MCU	MCU	
42	P65/CLK1	RTS / CLKF	SO / SO	SO / SO	O / SO	Usual RS-232C asynchronous communication RTS output / Clock input for AF220
43	P64/CTS1/RTS1/	CTS / YDCBUSY	I / O	I / O	I [O] / O	Usual RS-232C asynchronous communication CTS input / At the time of 232C driver OFF, since driver output is set to HiZ, it is LowFix processing / BUSY output for AF220
44	P63/TxD0	TXDD	SO	O	O	Serial data output to DIR, TI (DA601), YSS930, and DAC / DIR/ YSS: 4M, LSBF/TI: 1M, MSBF
45	P62/RxD0	RXDD	SI	O	O	Serial data reception to DIR, TI (DA601), YSS930, and DAC / DIR/YSS: 4M, LSBF/TI: 1M, MSBF
46	P61/CLK0	CLKD	SO	O	O	Serial Clock output to DIR, TI (DA601), YSS930, and DAC

IC301: M30845FJGP (FUNCTION P.C.B)

16-bit Microprocessor

No.	Port Name	Terminal Name	I/O			Function
			PowerOn	Standby	MCUSleep [AC OFF]	
47	P60		O	O	O	
48	P137	VRB	I	O	O	Volume Rotary B
49	P136	VRA	I	O	O	Volume Rotary A
50	P135	PGB	I	O	O	PROGRAM Rotary B
51	P134	PGA	I	O	O	PROGRAM Rotary A
52	P57/RDY	SCKA	O	O	O	Clock output for audio select IC
53	P56/RAS	SDTA	O	O	O	Data output for audio select IC / NJU: Transmitting clock 10us, MSB first
54	P55/HOLD	CEL	O	O	O	JRC analog SW IC CE1
55	P54/HLDA	CET	O	O	O	JRC analog SW IC CE2
56	P133	/HPMT	O	O	O [O]	Headphone MUTE control
57	Vss	Vss	MCU	MCU	MCU	
58	P132	/FATT	O	O	O	FRONT attenuate output PL/PR MIXH
59	Vcc	Vcc	MCU	MCU	MCU	
60	P131	/MIC	I	O	O	MIC detection / 220k Pull Down
61	P130	/HP	I	O	O	Headphone detection / 100k Pull Up to +5SPC
62	P53/BCLK	CKEV	O	O	O	EVOL serial transmitting clock
63	P52/RD	DTEV	O	O	O	EVOL serial transmitting data / Clock speed 1M, MSB first
64	P51/WRH	/CEEV	O	O	O	EVOL CE
65	P50/WRL	XMPWR	O	O	O	XM Radio power supply control
66	P127	/FMTSW	O	O	O [O]	Full Mute SWL/SWR/SW MONO
67	P126	/FMTC	O	O	O [O]	Full Mute Center
68	P125	/FMTS	O	O	O [O]	Full Mute SL/SR
69	P47/CS0	/FMTE	O	O	O [O]	Full Mute FL/FR/SBL/SBR
70	P46/CS1	/ICFL	O	O	O	FL driver initial clear
71	P45/CS2	CEF2	O	O	O	FL enable 1
72	P44/CS3	CEF1	O	O	O	FL enable 2
73	P43/A19	ISB	I	O	O	Input selector Rotary B
74	Vcc	Vcc	MCU	MCU	MCU	
75	P42/A18	ISA	I	O	O	Input selector Rotary A
76	Vss	Vss	MCU	MCU	MCU	
77	P41/A17	PSWA	I	I	O	INT5: After [a SSW input] logic Key distinction
78	P40/A16	PSWB	I	I	O	INT5: After [a SSW input] logic Key distinction
79	P37/A15	SRYA	O	O	O	MAIN A SP RELAY
80	P36/A14	SRYB	O	O	O	MAIN B SP RELAY
81	P35/A13	SRYC	O	O	O	CENTER SP RELAY
82	P34/A12	SRYSB	O	O	O	SURROUND BACK SP RELAY
83	P33/A11	SRYP	O	O	O	Presence/Zone SP RELAY
84	P32/A10	SRYSR	O	O	O	SURROUND/ZONE SP RELAY
85	P31/A9	FANLK	I	O	O	FAN lock detection / 100k Pull Up to +5M2
86	P124	PRY	O	O	O	Power relay control
87	P123	/ST	I	O	O	TUNER STEREO detection input / Pull Up to +5SPC
88	P122	TUNED	I	O	O	TUNER TUNED input / Pull Up +5SPC
89	P121	TUCE	O	O	O	PLL Chip select for TUNER
90	P120	/TMUTE	O	O	O	TUNER Mute output / Logic reversal according to Tr at a FUNCTION P.C.B.
91	Vcc		MCU	MCU	MCU	
92	P30/A8	PDLED	O	O	O	PureDirect LED
93	Vss		MCU	MCU	MCU	
94	AN27/P27/A7		O	O	O	
95	AN26/P26/A6		O	O	O	
96	AN25/P25/A5	/Z2MT	O	O	O [O]	Zone2 MUTE control
97	AN24/P24/A4	/Z3MT	O	O	O [O]	Zone3 MUTE control
98	AN23/P23/A3	/ICXM	O	O	O	DABIC IC reset (U model)
		-	O	O	O	(C, R, T, K, A, B, L, J models)
		RDSE	O	O	O	RDS Enable (G model)
99	AN22/P22/A2	RDATA2	O	O	O	Recout SW2 control (ROHM) data / Clock speed: 20us, MSBF
100	AN21/P21/A1	RLCK2	O	O	O	Recout SW2 control (ROHM) clock
101	AN20/P20/A0	PRI	I	O	O	Current protection detection / 100k Pull Down
102	P17/D15/INT5	PSW	IRQ	IRQ	IRQ	Main, Zone2, and 3 Power key interruption
103	P16/D14/INT4	SSW	IRQ	IRQ	IRQ	System power SW (Push lock SW)
104	P15/D13/INT3	PDET	IRQ	IRQ	IRQ	Power detect detection / At a SUPTR P.C.B., it is 100k Pull Up to 5M2

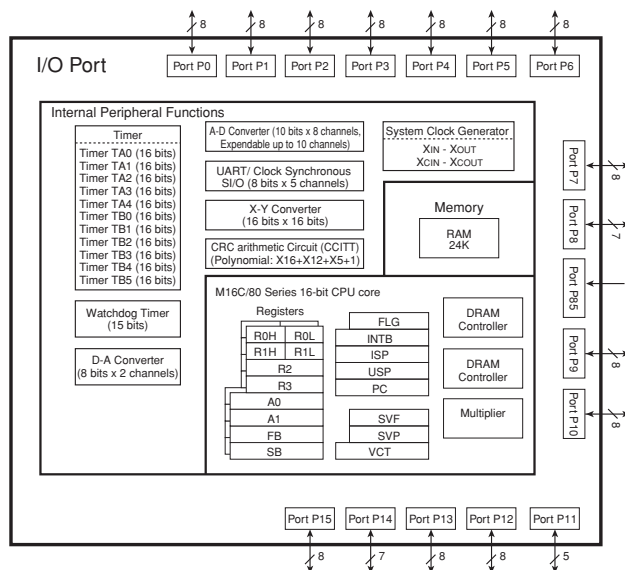
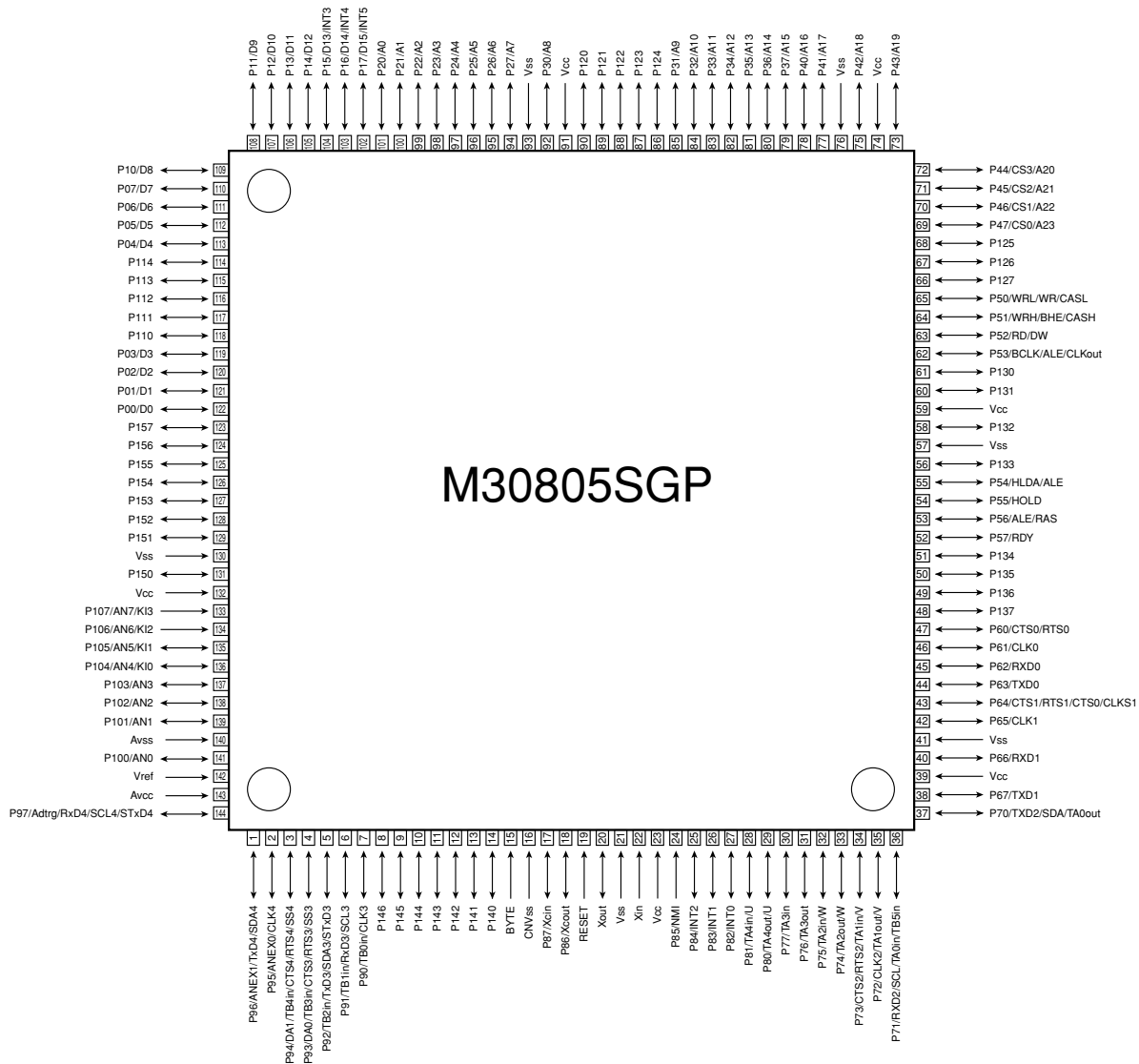
IC301: M30845FJGP (FUNCTION P.C.B)
 16-bit Microprocessor

No.	Port Name	Terminal Name	I/O			Function
			PowerOn	Standby	MCUSleep [AC OFF]	
105	P14/D12	SPC	O	O	O [O]	+5SPC Power supply ON/OFF control. (L=ON/H=OFF: Standby power requirement reduction sake) / Usually, Low fixes is standby power requirement reduction (MCUSleep) by making it HI, after the processing accompanying standby is completed. (An extended port and extended A/D do not operate at the time of HI.) / The time of AC IN and MCUSleep, please hold HighFix until there is a Power On input.
106	P13/D11	TRG1	O	O	O	DC TRIGGER output 1
107	P12/D10	TRG2	O	O	O	DC TRIGGER output 2
108	P11/D9		O	O	O	
109	P10/D8	VPOWER	O	O	O	VIDEO power supply control / At the time of Pure Direct is Low (VIDEO OFF)
110	P07/AN07/D7	VMT	O	O	O	Video output MUTE / Power ON/OFF / At the time PureDirect ON/OFF, this port is logic reversed in ON * Tr.
111	P06/AN06/D6	VBOOT	O	O	O	VIDEO_CPU boot enable
112	P05/AN05/D5	232PWR	O	O	O	232C driver ON/OFF control
113	P04/AN04/D4	BTSEL	O	O	O	VIDEO_CPU boot mode select
114	P114	RDATA	O	O	O	Recout SW1 control (ROHM) data / Clock speed: 20us, MSBF
115	P113	RLCK	O	O	O	Recout SW1 control (ROHM) clock
116	P112/ISRXD1	PLL	I	O	O	PLL reception for TUNER / Reception clock 20us / LSB first
117	P111/ISCLK1	TUCK	O	O	O	PLL clock output for TUNER
118	P110/ISTXD1	TUDA	O	O	O	PLL data output for TUNER / Transmitting clock 4us / LSB first
119	P03/AN03/D3	CKZEV	O	O	O	EVOL serial transmitting clock for ZONE
120	P02/AN02/D2	DTZEV	O	O	O	EVOL serial transmitting data for ZONE / Clock speed: 1M, MSB first
121	P01/AN01/D1	/ICZEV	O	O	O	EVOL1 Reset for ZONE
122	P00/AN00/D0	/CEZEV1	O	O	O	EVOL1 CE for ZONE
123	AN157/P157	/CEZEV2	O	O	O	EVOL2 CE for ZONE
124	AN156/P156	REC	AD	O	O	AD REC OUT SEL taking in
125	AN155/P155	KEY0	AD	O	I [O]	Key0 AD value taking in
126	AN154/P154	KEY1	AD	O	I [O]	Key1 AD value taking in
127	AN153/P153	/OSDCE	O	O	O	OSD CE
128	AN152/P152/ISRXD0	RDS	I	O	O	RDS Rx D
129	AN151/P151/ISCLK0	SCKN	O	O	O	NONE AUDIO clock output (FL/RDS/OSD) / FL: 2us clock, MSBF RDS: 20us clock, LSBF
130	Vss	Vss	MCU	MCU	MCU	
131	AN150/P150/ISTXD0	SDTN	O	O	O	NONE AUDIO data output (FL/RDS/OSD)
132	Vcc	Vcc	MCU	MCU	MCU	
133	P107/AN7	DEST	AD	O	I [O]	Model distinction is based on AD value. / Waiting for after [AD input port setup] 1msec is carried out at the time of AD taking in at the time of Power On.
134	P106/AN6	MODEL	AD	O	I [O]	Model distinction is based on AD value. / Waiting for after [AD input port setup] 1msec is carried out at the time of AD taking in at the time of Power On.
135	P105/AN5	THM1	AD	O	I [O]	AD temperature detection detection 1
136	P104/AN4	THM2	AD	O	I [O]	AD temperature detection detection 2
137	P103/AN3	PRD	AD	O	O	Power amplifier DC protection detection
138	P102/AN2	PRV	AD	O	O	Power supply protection detection 1
139	P101/AN1	PRVS	AD	O	O	Power supply protection detection 2 (Power supply turned off by Pure Direct)
140	Avss	AVSS	MCU	MCU	MCU	
141	P100/AN0	PLMT	AD	O	O	AD Power Limiter detection
142	Vref	VREF	MCU	MCU	MCU	
143	Avcc	AVCC	MCU	MCU	MCU	
144	RXD4	RXDH	SI	O	O	Data reception from VIDEO_CPU

Key Input (A-D) Pull-Up Resistance 10 k-ohms

Ohm	0	+1.2k	+1.2k	+1.8k	+2.7k	+3.3k	+4.7k	+8.2k
V	~ 0.26	~ 0.75	~ 1.22	~ 1.76	~ 2.28	~ 2.75	~ 3.24	~ 3.75
KEY0	TONE CONTROL	STRAIGHT EFFECT	TUNING MODE	MEMORY	FM/AM	PRESET/TUNING EDIT	PRESET/TUNING >	PRESET/TUNING <
KEY1	ZONE CONTROL	A/B/C/D/E	AUDIO SELECT	SPEAKERS A	SPEAKERS B	PURE DIRECT	-	-

IC501: M30805SGP (D-VIDEO P.C.B)
16-bit Microprocessor



IC501: M30805SGP (D-VIDEO P.C.B)

16-bit Microprocessor

No.	Port Name	Terminal Name (P.C.B.)	I/O [OFF]	Function
1	P96/SDA4	SDAL	SIO	I2C SDA Input/Output signal (for 100kHz device)
2	P95/CLK4		O	
3	P94/TB4in	DACSEL	DA	DAC fs Select
4	P93/TB3in		O	
5	P92/SDA3	SDAH	SIO	I2C SDA Input/Output signal (for HDMI device)
6	P91/SCL3	SCLH	SO	I2C SCL Output signal (for HDMI device)
7	P90/TB0in		O	
8	P146		O	Terminal for monitors for development
9	P145		O	Terminal for monitors for development
10	P144		O	Terminal for monitors for development
11	P143		O	Terminal for monitors for production inspection
12	P142		O	Terminal for monitors for production inspection
13	P141		O	Terminal for monitors for production inspection
14	P140		O	Terminal for monitors for production inspection
15	BYTE		MCU	Data bus width setup: Set as 16bit=Low
16	CNVSS		MCU	Processor mode: Set as Hi
17	P87		O	
18	P86	BOOT (/EN232)	I [O]	YDC boot signal input/232C line opening demand (Video -> Main)
19	/RESET	/RES	MCU	Reset signal input
20	XOUT		MCU	Ceramic vibrator 10MHz
21	Vss		MCU	GND
22	XIN		MCU	Ceramic vibrator 10MHz
23	Vcc		MCU	3.3V
24	P85/NMI		I	No used
25	P84/INT2	/REM	IRQ	For development
26	P83/INT1	/INTAD	IRQ	Interruption signal from ADV7401
27	P82/INT0	/INTH	IRQ	HDMI Tx/Rx interruption
28	P81/TA4in	VS	I	HDMI VSYNC input (Reserve for frequency distinction)
29	P80/TA4out		O	
30	P77/TA3in		[I]	Starting option
31	P76/TA3out		[I]	Starting option
32	P75/TA2in	HDMINT	O	HDMI interruption demand
33	P74/TA2out	232PWR	I	232C transceiver notice input of a shutdown
34	P73/TA1in		O	
35	P72/CLK2		O	
36	P71/SCL2	SCLV	SI	I2C SCL output signal (for Video devices)
37	P70/SDA2	SDAV	SO	I2C SDA Input/Output signal (for Video devices)
38	P67/TxD1	TXD1	SO	Serial I/F for writing YDC / Serial I/F for writing debug
39	Vcc		MCU	3.3V
40	P66/RxD1	RXD1	SI	Serial I/F for writing YDC / Serial I/F for writing debug
41	Vss		MCU	GND
42	P65/CLK1	RTS1	O	Serial I/F for writing YDC/232C
43	P64/CTS1	CTS1	I	Serial I/F for writing YDC/232C
44	P63/TxD0	VtoM	SO	MAIN microcomputer I/F SPI
45	P62/RxD0	MtoV	SI	MAIN microcomputer I/F SPI
46	P61/CLK0	MCLK	SI	MAIN microcomputer I/F SPI
47	P60/CTS0/RTS0	MRES	O	MAIN microcomputer I/F RES output signal
48	P137	MREQ	O	MAIN microcomputer I/F REQ output signal
49	P136		O	
50	P135	SPIRDY	I	Word clock input for writing CDDA
51	P134	SPIDAT	I	Data input for writing CDDA
52	P57/RDY	/RDY	I	YGV/WAIT signal input
53	P56/ALE/RAS		O	No used
54	P55/HOLD		I	No used
55	P54/HLDA/ALE		O	No used
56	P133	PSENB	O	HDMI Power Signal Enable
57	Vss		MCU	GND
58	P132	DDCENB	O	HDMI DDC Enable control
59	Vcc		MCU	3.3V

IC501: M30805SGP (D-VIDEO P.C.B)
 16-bit Microprocessor

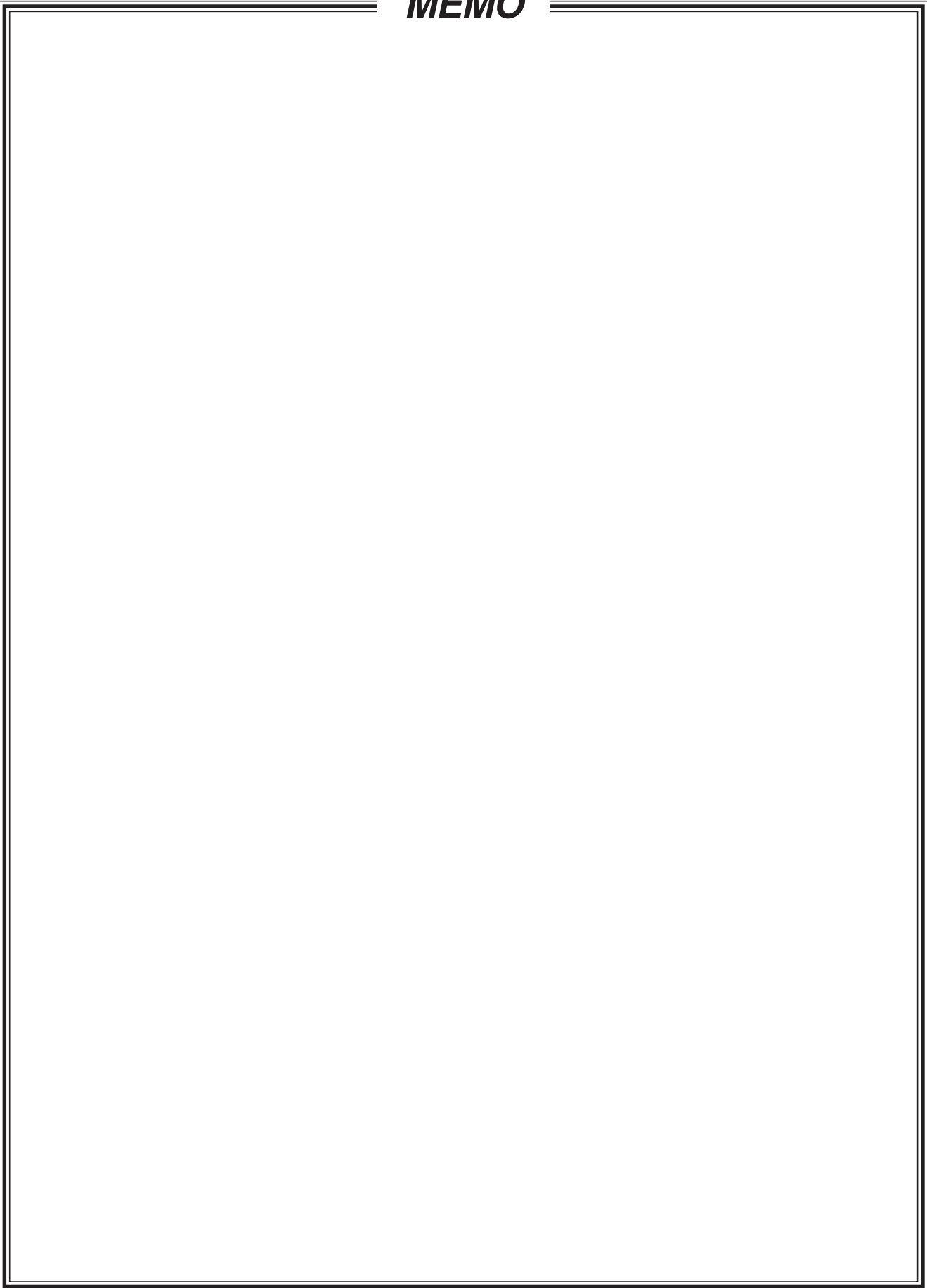
No.	Port Name	Terminal Name (P.C.B.)	I/O [OFF]	Function
60	P131	HPD1ENB	O	HDMI HPD1 Enable control
61	P130	HPD0ENB	O	HDMI HPD0 Enable control
62	P53/BCLK		O	No used
63	P52/RD/DW	/RD	BUS	BUS I/F
64	P51/WRH/BHE		BUS	BUS I/F
65	P50/WRL/WR	/WR	BUS	BUS I/F
66	P127		O	
67	P126		O	
68	P125		O	
69	P47/CS0/A23		BUS	
70	P46/CS1/A22		BUS	
71	P45/CS2/A21		BUS	FLASH A20/NC2, YGV A21
72	P44/CS3/A20		BUS	FLASH A19/NC1, YGV A20
73	P43/A19		BUS	FLASH A18, YGV A19
74	Vcc		MCU	3.3V
75	P42/A18		BUS	FLASH A17, YGV A18
76	Vss		MCU	GND
77	P41/A17		BUS	FLASH A16, YGV A17
78	P40/A16		BUS	FLASH A15, YGV A16
79	P37/A15		BUS	FLASH A14, YGV A15
80	P36/A14		BUS	FLASH A13, YGV A14
81	P35/A13		BUS	FLASH A12, YGV A13
82	P34/A12		BUS	FLASH A11, YGV A12
83	P33/A11		BUS	FLASH A10, YGV A11
84	P32/A10		BUS	FLASH A9, YGV A10
85	P31/A9		BUS	FLASH A8, YGV A9
86	P124	YGVDET	I	Pull down: No YGV
87	P123	VTEST1	O	Self inspection result is outputted for production inspection (Video)
88	P122	VTEST2	O	Self inspection result is outputted for production inspection (Video)
89	P121	VTEST3	O	Self inspection result is outputted for development (Video)
90	P120	VTEST4	O	Self inspection result is outputted for development (Video)
91	Vcc		MCU	3.3V
92	P30/A8		BUS	FLASH A7, YGV A8
93	Vss		MCU	GND
94	P27/A7		BUS	FLASH A6, YGV A7
95	P26/A6		BUS	FLASH A5, YGV A6
96	P25/A5		BUS	FLASH A4, YGV A5
97	P24/A4		BUS	FLASH A3, YGV A4
98	P23/A3		BUS	FLASH A2, YGV A4
99	P22/A2		BUS	FLASH A1, YGV A2
100	P21/A1		BUS	FLASH A0, YGV A1
101	P20/A0		BUS	No used
102	P17/D15/INT5	D15	BUS	Data bus
103	P16/D14/INT4	D14	BUS	Data bus
104	P15/D13/INT3	D13	BUS	Data bus
105	P14/D12	D12	BUS	Data bus
106	P13/D11	D11	BUS	Data bus
107	P12/D10	D10	BUS	Data bus
108	P11/D9	D9	BUS	Data bus
109	P10/D8	D8	BUS	Data bus
110	P07/D7	D7	BUS	Data bus
111	P06/D6	D6	BUS	Data bus
112	P05/D5	D5	BUS	Data bus
113	P04/D4	D4	BUS	Data bus
114	P114	/ICP	O	IC signal to PD0280B. Cancels after Clock supply.
115	P113	/AUPH	O	Video course (Decoder output) to HDMI ON/OFF
116	P112		O	
117	P111	/ICY	O	IC signal to YGV619
118	P110	/ICV	O	IC signal to Video system device

IC501: M30805SGP (D-VIDEO P.C.B)

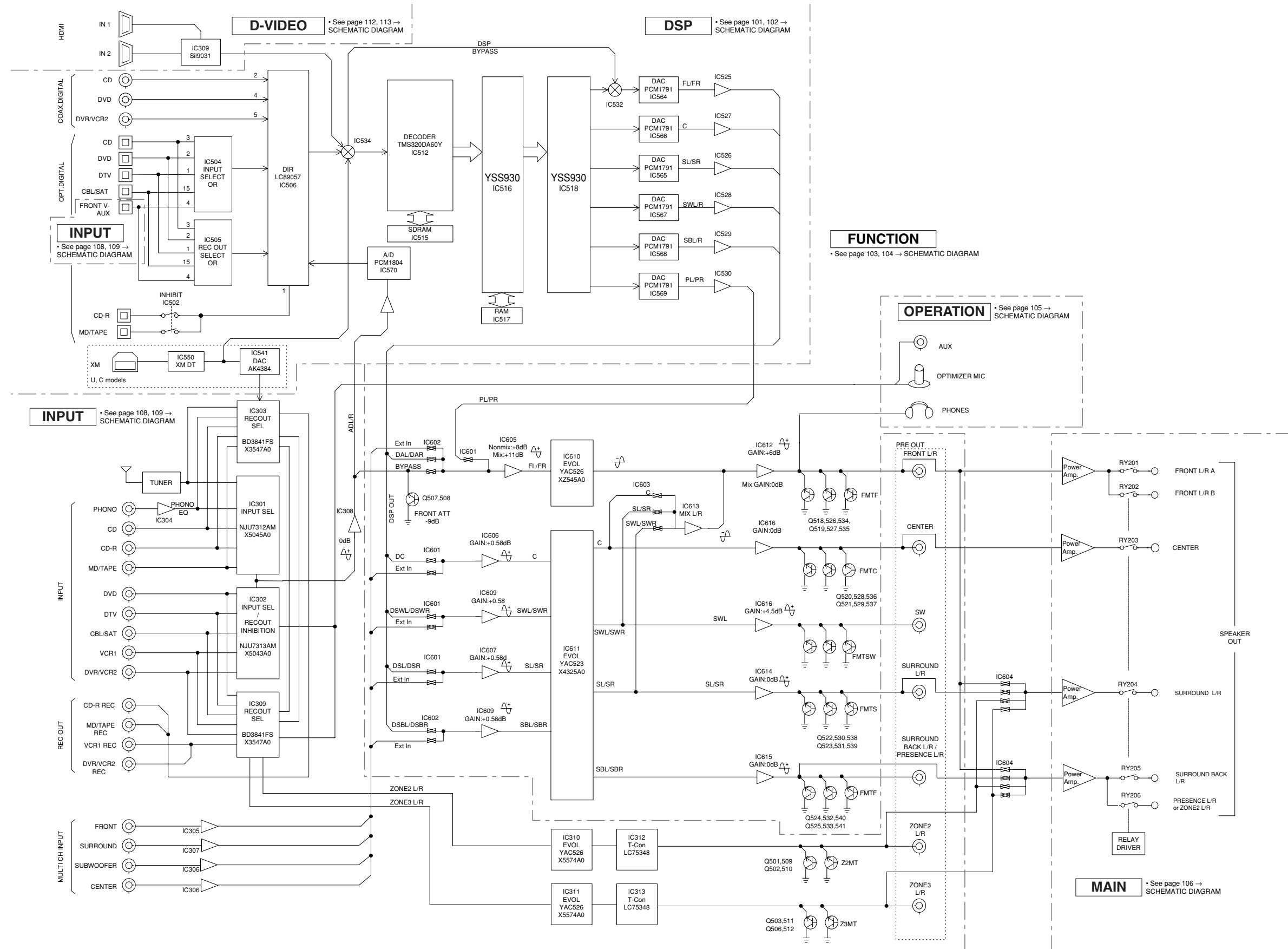
16-bit Microprocessor

No.	Port Name	Terminal Name (P.C.B.)	I/O [OFF]	Function
119	P03/D3	D3	BUS	Data Bus
120	P02/D2	D2	BUS	Data Bus
121	P01/D1	D1	BUS	Data Bus
122	P00/D0	D0	BUS	Data Bus
123	P157	/AUPS	O	Video course (Scaler output) to HDMI ON/OFF
124	P156	/AUPP	O	Video course (MS1A output) to HDMI ON/OFF
125	P155	/AUPI	O	Video course (480i output) to HDMI ON/OFF
126	P154	/OSDCEV	O	Chip enable output to OSD
127	P153	BDEN	O	Enable for BD7851 control
128	P152	BDLT	O	Latch for BD7851 control
129	P151	SDTV	O	Data for BD7851control
130	Vss		MCU	GND
131	P150	SCKV	O	Clock for BD7851 control
132	Vcc		MCU	3.3V
133	P107/AN7	/MTMON	O	MUTE to the monitor out from a Video microcomputer
134	P106/AN6	/MTZ2	O	MUTE to the ZONE2 out from a Video microcomputer
135	P105/AN5	Reserve	O	
136	P104/AN4	SVDET	I	S input detection
137	P103/AN3	VBOOT	I	Enable to boot mode
138	P102/AN2	BTSEL	I	Boot mode select
139	P101/AN1	Reserve	I	
140	Avss		MCU	GND
141	P100/AN0		O	
142	Vref		MCU	3.3V
143	Avcc		MCU	3.3V
144	P97/SCL4	SCLL	SO	I2C SCL output signal (for 100kHz device)

MEMO



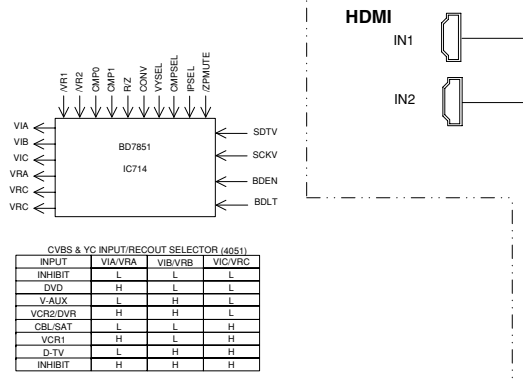
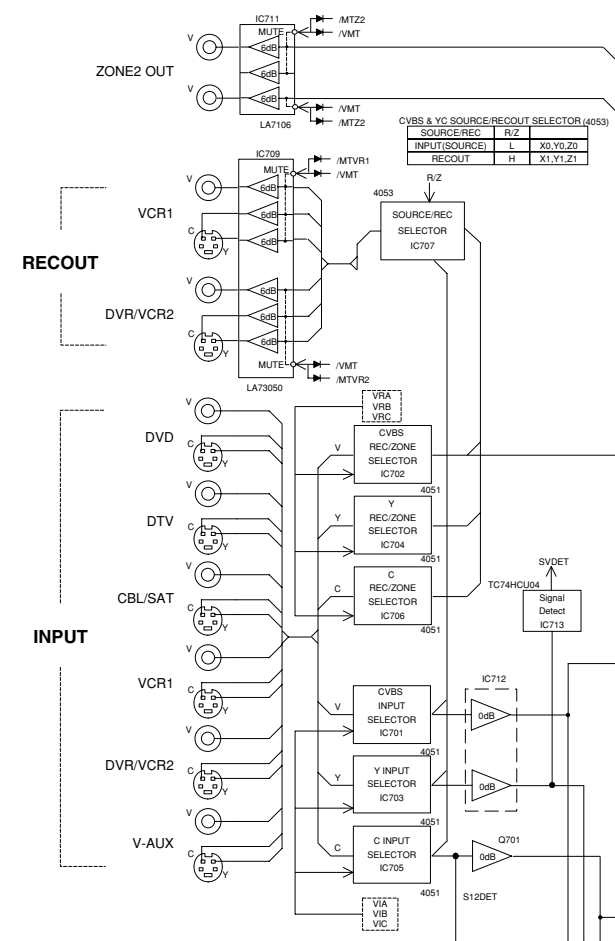
BLOCK DIAGRAM (1/3)



1
2
3
4
5
6
7

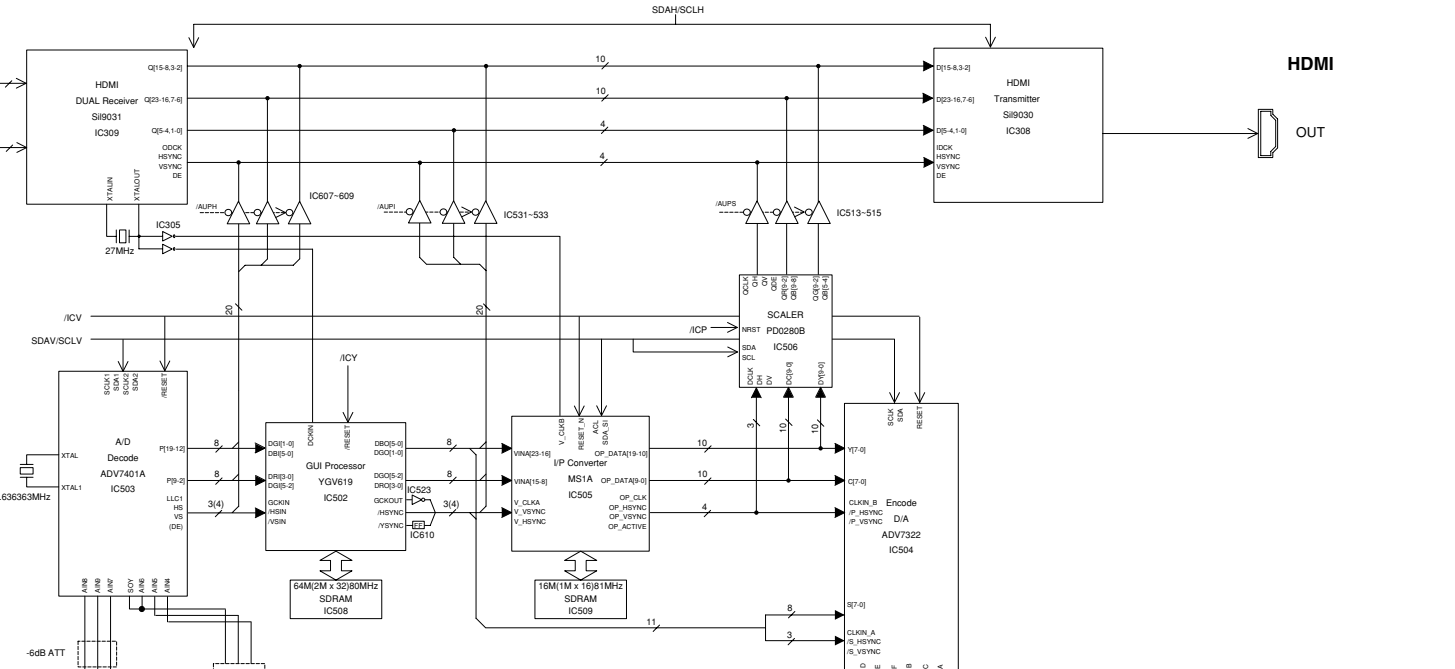
BLOCK DIAGRAM (2/3)

Composite/S-Video



CVBS & YC INPUT/RECOUT SELECTOR (4051)

INPUT	VIA/VRA	VIB/VVB	VIC/VVC
INHIBIT	L	L	L
DVD	H	L	L
V-AUX	L	H	L
VCR2/DVR	H	H	L
CBL/SAT	L	L	H
VCR1	H	L	H
D-TV	L	H	H
INHIBIT	H	H	H



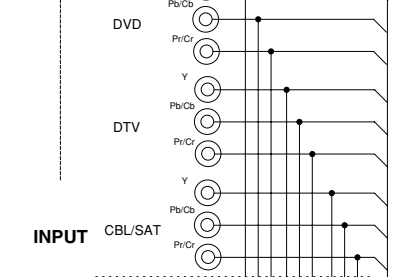
D-VIDEO • See page 112, 113 → SCHEMATIC DIAGRAM

A-VIDEO (2) • See page 111 → SCHEMATIC DIAGRAM

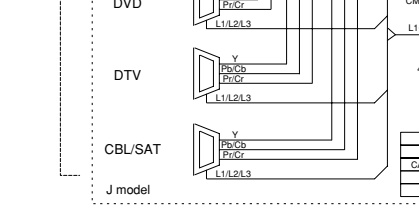
A-VIDEO (2) • See page 111 → SCHEMATIC DIAGRAM

A-VIDEO (1) • See page 110 → SCHEMATIC DIAGRAM

Component



D5 VIDEO

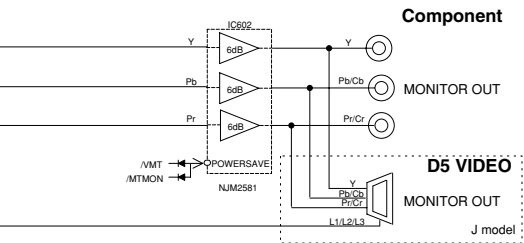
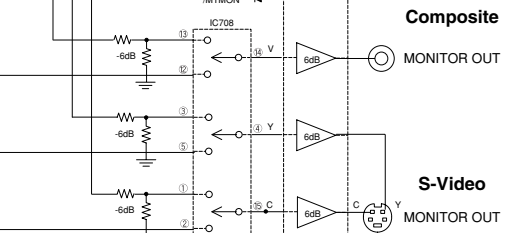


LINE SELECTOR (4052)

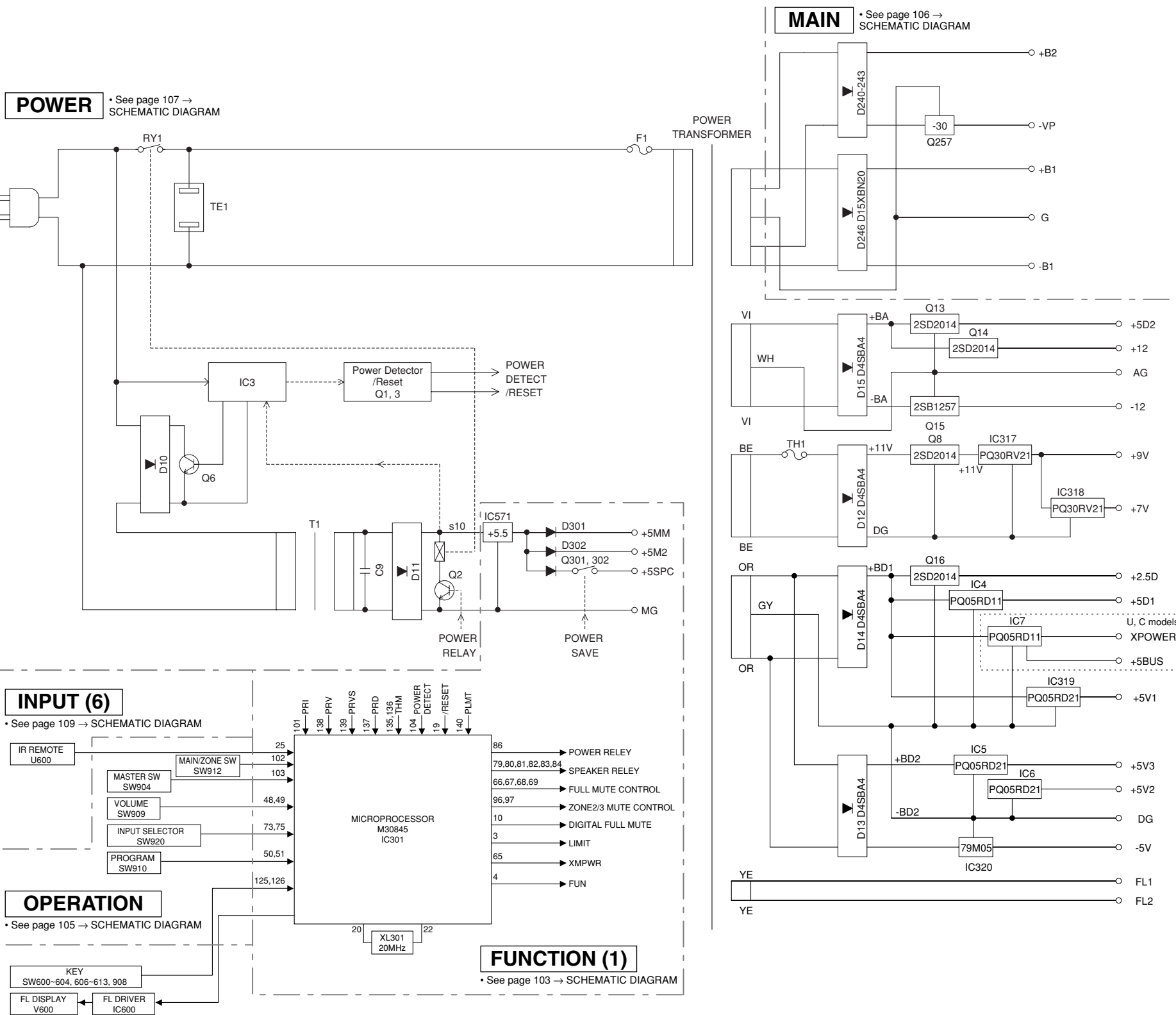
INPUT	CMP0	CMP1	L1	L2	L3
DVD	L	L	480	-	16:9
CABLE/SAT	L	H	2.2V	720	4:3(Letter Box)
D-TV	H	L	5V	1080	P 4:3
INHIBIT	H	H			

Unconspicuous

OV	4.3
2.2V	4:3(Letter Box)
5V	16:9



BLOCK DIAGRAM (3/3)



PS Protection
 PRV1
 D13-15,240,245,+12,
 -12,+2.5D,+5D1,+5D2,+5V2,
 +5V3,+5BUS(U, C models)
 PRVS
 +7,+9V,+5V1,-5V

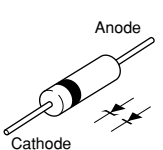
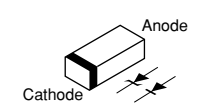
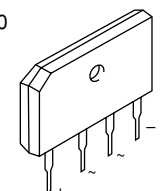
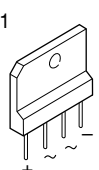
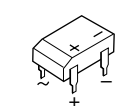
■ PIN CONNECTION DIAGRAM

• ICs

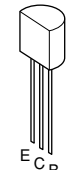
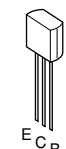
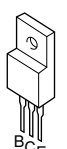

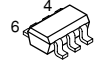
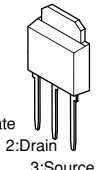
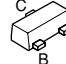
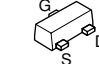

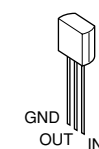
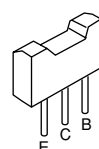
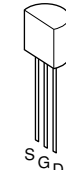
<p>LM61CIZ</p>	<p>NJM2391DL1-25 NJM2391DL1-33 NJM2845DL1-33 NJM2885DL1-18 NJM2885DL1-33</p>	<p>NJM79M05FA</p>	<p>PQ012FZ01ZPH PQ025EZ5MZP</p>	<p>PQ05RD11</p>
<p>PQ05RD21 PQ30RV21</p>	<p>μPC2905AT-E1-AZ</p>	<p>μPC29M33T-E1-AZ</p>	<p>μPC37M31TJ-E1-AZ</p>	<p>24LC04BT-I/SN NE5532DR</p>
<p>BA15218F</p>	<p>LE50ABD NJM2068MD-TE2 PCA9540BDP</p>	<p>PST9242NR SN74AHC1G08DCKR SN74AHC1G32DCKR SN74AHC1G86DCKR SN74AHC1G125DCKR SN74AHC1G32DCKR SN74LVC1G125DCKR SN74LVC2G17DCKR</p>	<p>RH5RE58AA-T1-FA</p>	<p>ADM222ARZ</p>
<p>SN412008DRE4 SN74AHC2GU04HDCTR SN74CBT3306PWR TK15420M μPC4570G2 SN74LVC2G125DCUR</p>	<p>NJM2581M SN74AHC08PWR SN74LVC74APWR SN74AHC00PWR SN74LV00APWR SN74LVU04APWR SN74LV08APWR SN74LV157APWR</p>	<p>AK4384ET CD4051BNSR LA7104M LA7106M-TLM-E MM74HC4051SJX MM74HC4052SJX MM74HC4053SJX SN74LS151NSR TC74VHC153FT</p>		
<p>TC4013BP TC74HCU04AFEL</p>	<p>SN74AHC245PWR SN74LV245APWR SN74LVC245APWR SN74LVC541APWR</p>	<p>LC72722PM LC74781JM-9798 YAC526-EZE2</p>	<p>PCM1791ADBR PCM1804DBR</p>	<p>LC75348M NJU7311AM NJU7312AM NJU7313AM TA1318AF</p>
<p>BD3841FS</p>	<p>LA73050-TLM-E LA73053-TLM-E LA73054-TLM-E</p>	<p>BD7851FP-E2</p>	<p>SM5301CS-G-ET</p>	<p>MSM514260E-60JS</p>
<p>MBM29LV400BC-70</p>	<p>W9864G2EH-7</p>	<p>F2602E-01 YAC523-EVR2</p>	<p>NJW1321FP1</p>	

<p>LC89057W-VF4A-E</p>	<p>MX29LV320ABTC-90</p>	<p>W9816G6CH-7</p>	<p>ADV7322KSTZ M66003-0131FP</p>
<p>SiI9030</p>	<p>ADV7401BSTZ-80 YSS930</p>	<p>M30805SGP M30845FJGP MATISSE SiI9031</p>	
<p>PD0280B</p>	<p>D60YA003BPYP225</p>	<p>YGV619</p>	

• Diodes

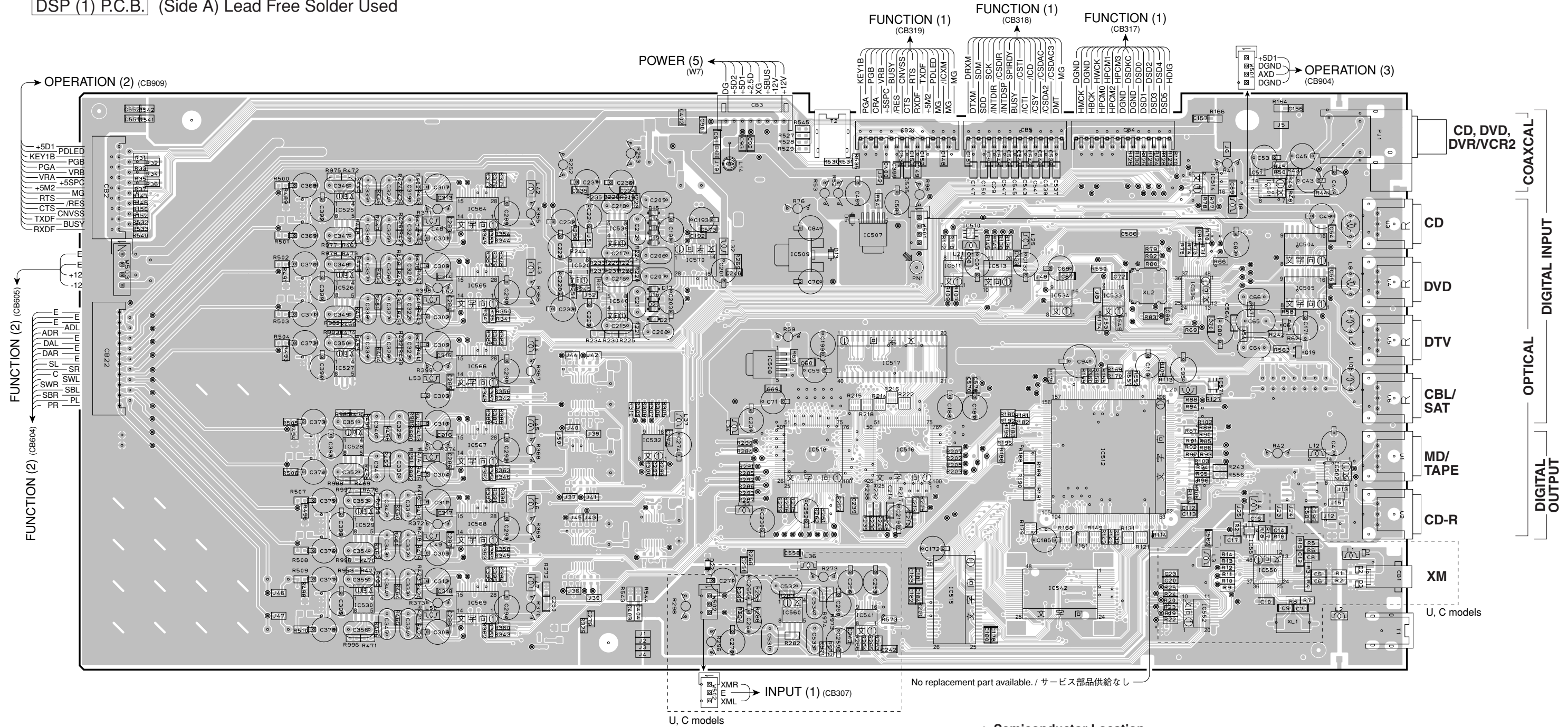
<p>1N4002S MTZJ10B 1SS133 MTZJ13A 1SS244 MTZJ33B 1T2 MTZJ4.7C HZS24-1 MTZJ5.1B HZS242TD MTZJ5.1C HZS3B1TD MTZJ6.8B MTZJ7.5C</p> 	<p>1SS355 UDZ5.1B 1SS380 UDZS3.9BTE-17 MA8043-L UDZS5.6BTE-17 MA8051-L MA8051-M MA8062-M MA8068-L MA8100-L MA8130-M RB500V-40 RB501V-40</p> 	
<p>D2SBA20</p> 	<p>D15XB20 D4SBS4-4101</p> 	<p>S1NB20 S1NB60</p> 

• Transistors

<p>2SA1015 2SA949 2SA970 2SC1815 2SC2229 2SC2240 2SC2878</p> 	<p>2SD1915F</p> 	<p>2SA1837 2SB1257 2SB1274 2SB941 2SC3852 2SC4793 2SD2014</p> 	<p>A2151/C6011 2SA1492 2SC3856</p> 	<p>μPA672T-T1-A</p> <p>1. Source 1 (S1) 2. Gate 1 (G1) 3. Drain 2 (D2) 4. Source 2 (S2) 5. Gate 2 (G2) 6. Drain 1 (D1)</p> 	<p>2SK3850</p> <p>4:Drain 1:Gate 2:Drain 3:Source</p> 
<p>2SA1036KT146 2SA1037K 2SC2412K 2SC3326 2SC3878K 2SC3906K 2SC4081 2SD1938F</p> 	<p>2N7002-NL 2SK208 2SK2158-T2B-A 5HP01C-TB-E</p> 	<p>DTA114EKA DTA144EKA DTC114EKA DTC144EKA</p> 	<p>DTC144ESA-TP</p> 	<p>2SA1708 2SC4488</p> 	<p>2SK246</p> 

PRINTED CIRCUIT BOARD

DSP (1) P.C.B. (Side A) Lead Free Solder Used



• Semiconductor Location

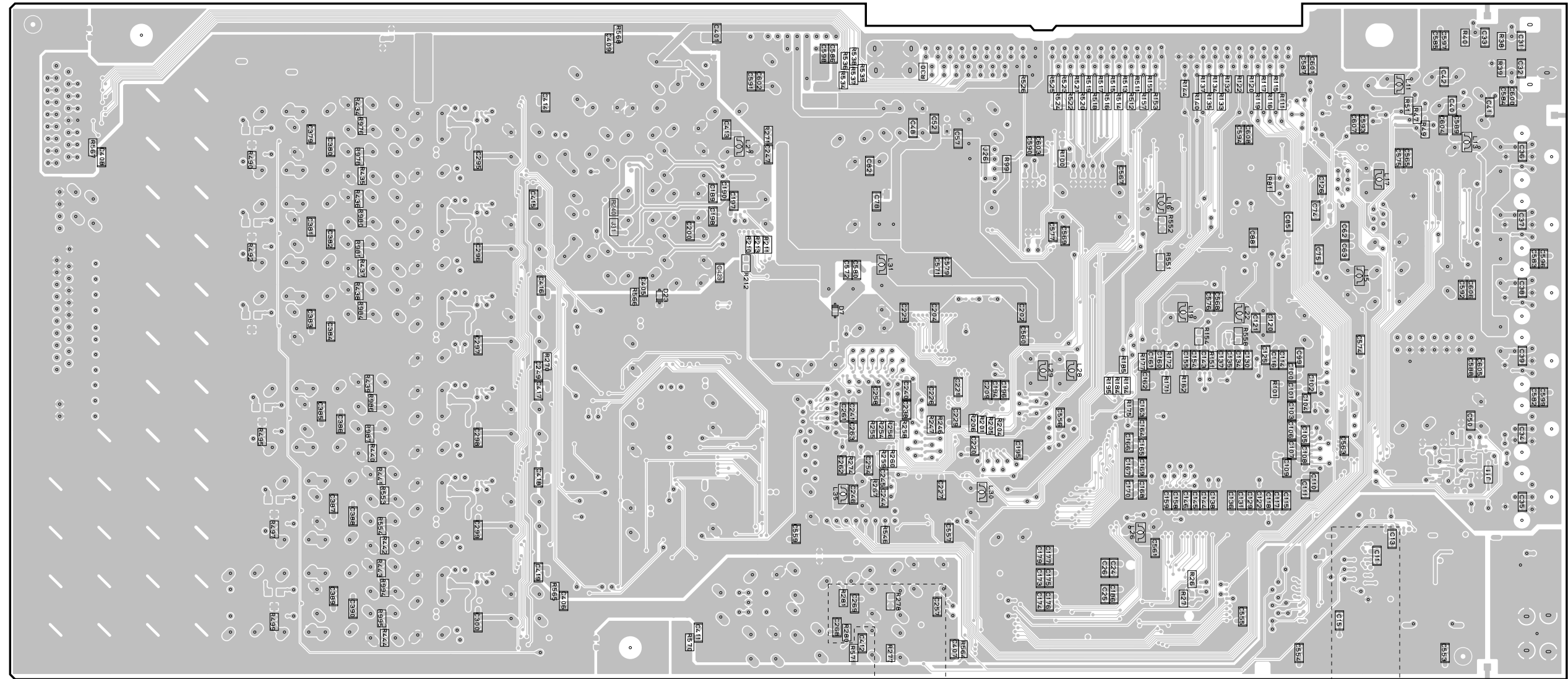
Ref no.	Location	Ref no.	Location	Ref no.	Location	Ref no.	Location	Ref no.	Location
D1	I5	D20	E3	IC510	G3	IC526	C3	IC542	G5
D2	I5	D21	E3	IC511	G3	IC527	C4	IC550	I5
D3	I5	D22	E5	IC512	H4	IC528	C4	IC551	I5
D5	F3	IC501	I3	IC513	G3	IC529	C5	IC552	H5
D13	F3	IC502	I4	IC514	H3	IC530	C5	IC560	F5
D14	E3	IC504	I3	IC515	G5	IC532	E4	IC564	D3
D15	E3	IC505	I3	IC516	G4	IC533	H3	IC565	D3
D16	E3	IC506	H3	IC517	F4	IC534	H3	IC566	D4
D17	E3	IC507	F3	IC518	F4	IC539	E3	IC567	D4
D18	E3	IC508	F4	IC520	D3	IC540	E3	IC568	D5
D19	E3	IC509	F3	IC525	C3	IC541	F5	IC569	D5

Circuit No.	U, C	R, T, K, A, B, G, L, J
R549, 550	X	O

X : NOT USED
O : USED/APPLICABLE

1 ■ PRINTED CIRCUIT BOARD

DSP (1) P.C.B. (Side B) Lead Free Solder Used



U, C models

U, C models

• Semiconductor Location

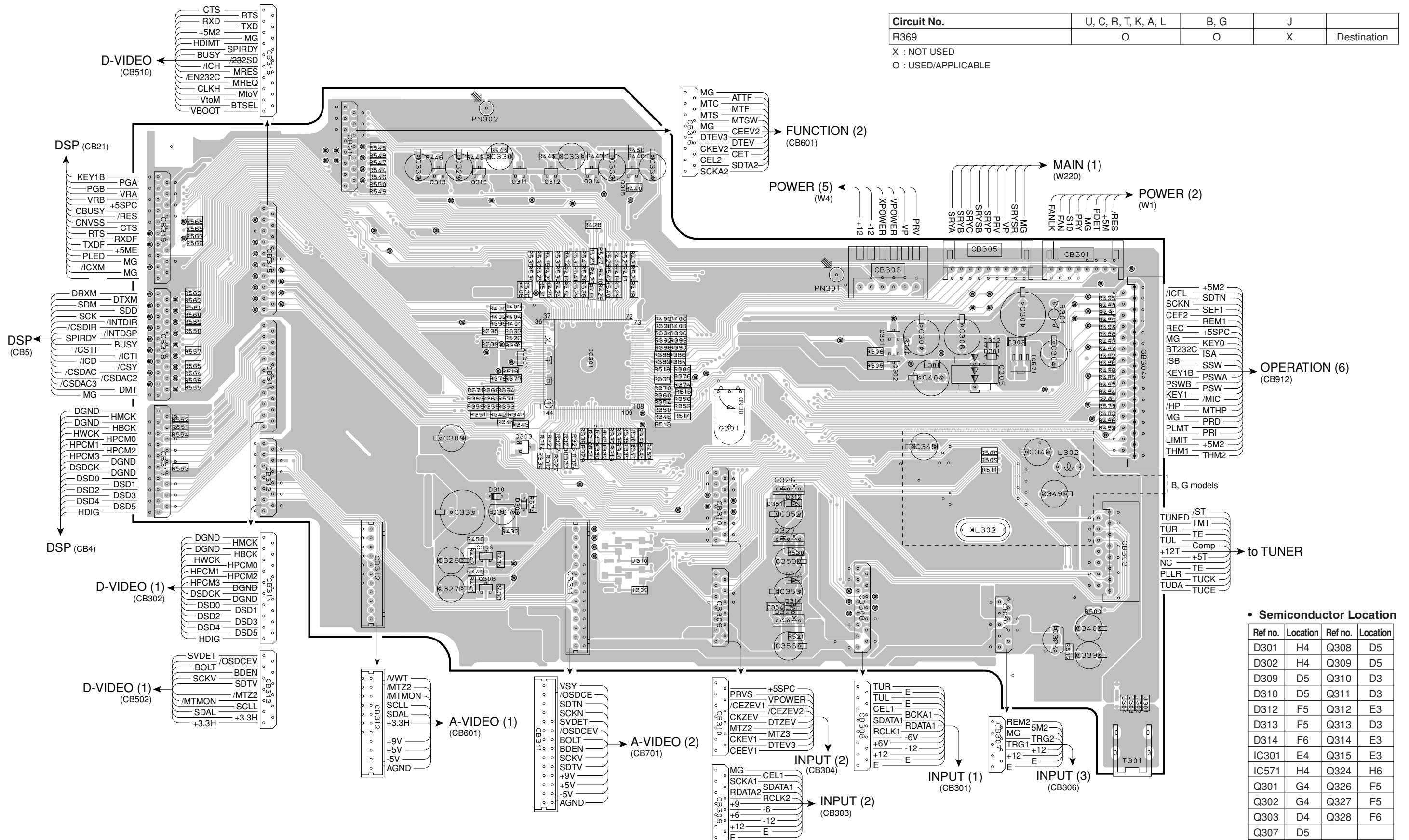
Ref no.	Location
D7	F3
D23	E3

Circuit No.	U, C	R, T, K, A, B, G, L, J
R551, 552	X	O

X : NOT USED
O : USED/APPLICABLE

PRINTED CIRCUIT BOARD

FUNCTION (1) P.C.B. (Side A) Lead Free Solder Used



Circuit No.	U, C, R, T, K, A, L	B, G	J	
R369	O	O	X	Destination

X : NOT USED
O : USED/APPLICABLE

• Semiconductor Location

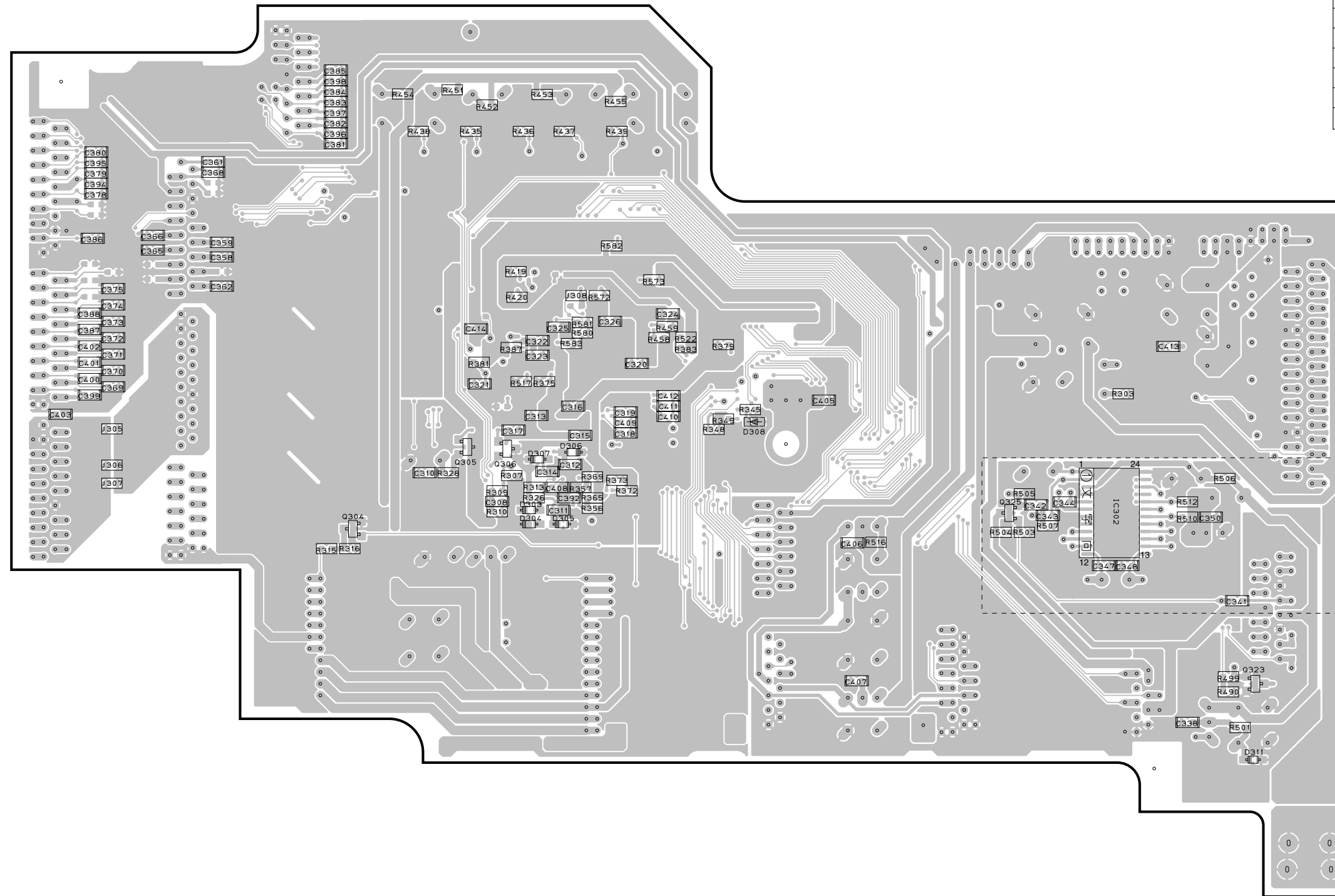
Ref no.	Location	Ref no.	Location
D301	H4	Q308	D5
D302	H4	Q309	D5
D309	D5	Q310	D3
D310	D5	Q311	D3
D312	F5	Q312	E3
D313	F5	Q313	D3
D314	F6	Q314	E3
IC301	E4	Q315	E3
Q301	G4	Q326	F5
Q302	G4	Q327	F5
Q303	D4	Q328	F6
Q307	D5		

1 ■ PRINTED CIRCUIT BOARD

FUNCTION (1) P.C.B. (Side B) Lead Free Solder Used

• Semiconductor Location

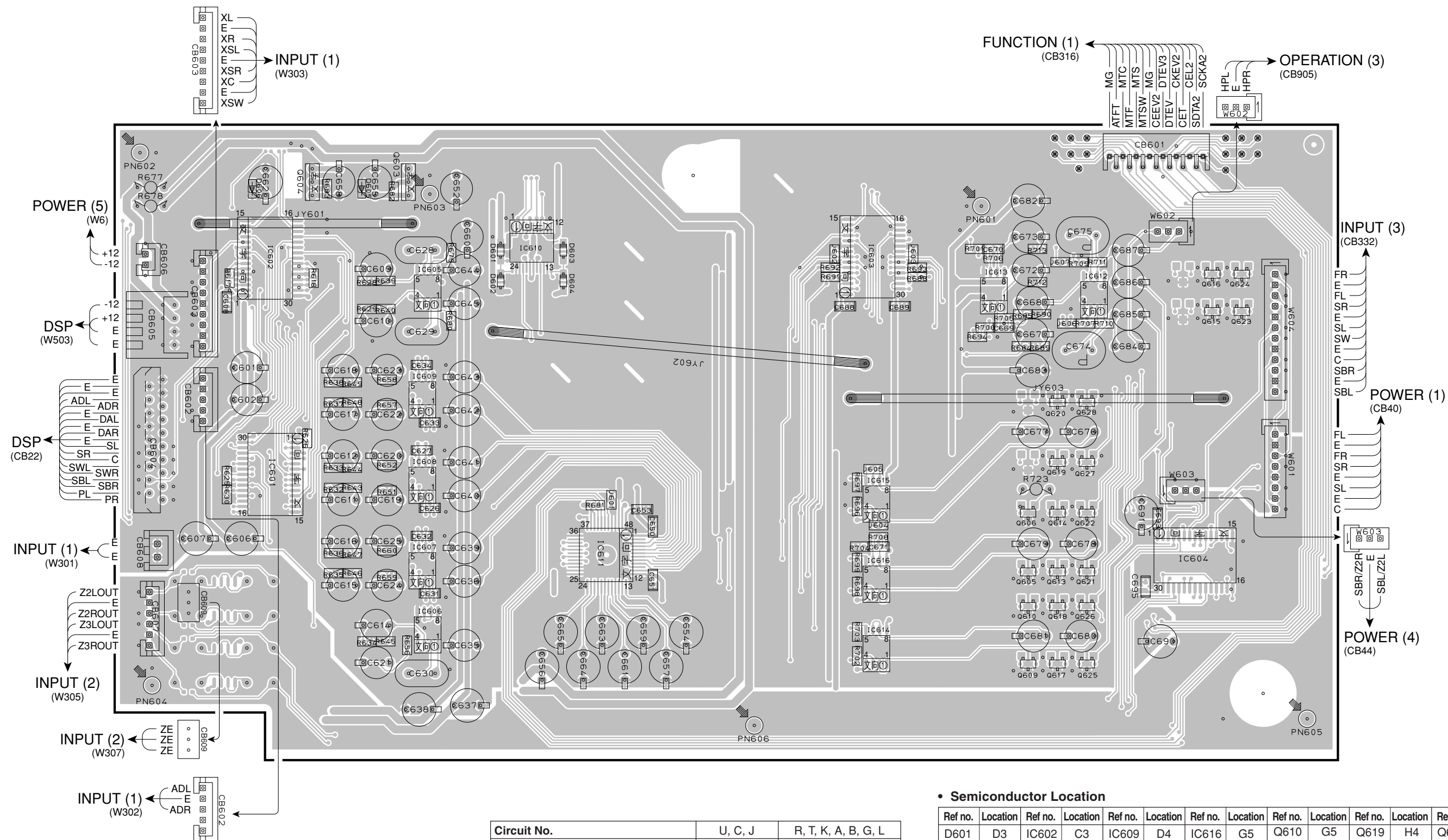
Ref no.	Location
D303	E5
D304	E5
D305	E5
D306	E4
D307	E4
D308	F4
D311	H6
IC302	H5
Q304	D5
Q305	D4
Q306	D4
Q323	H5
Q325	G5



B, G models

PRINTED CIRCUIT BOARD

FUNCTION (2) P.C.B. (Side A) Lead Free Solder Used



Circuit No.	U, C, J	R, T, K, A, B, G, L
IC615	X	O
J604, 605	O	X

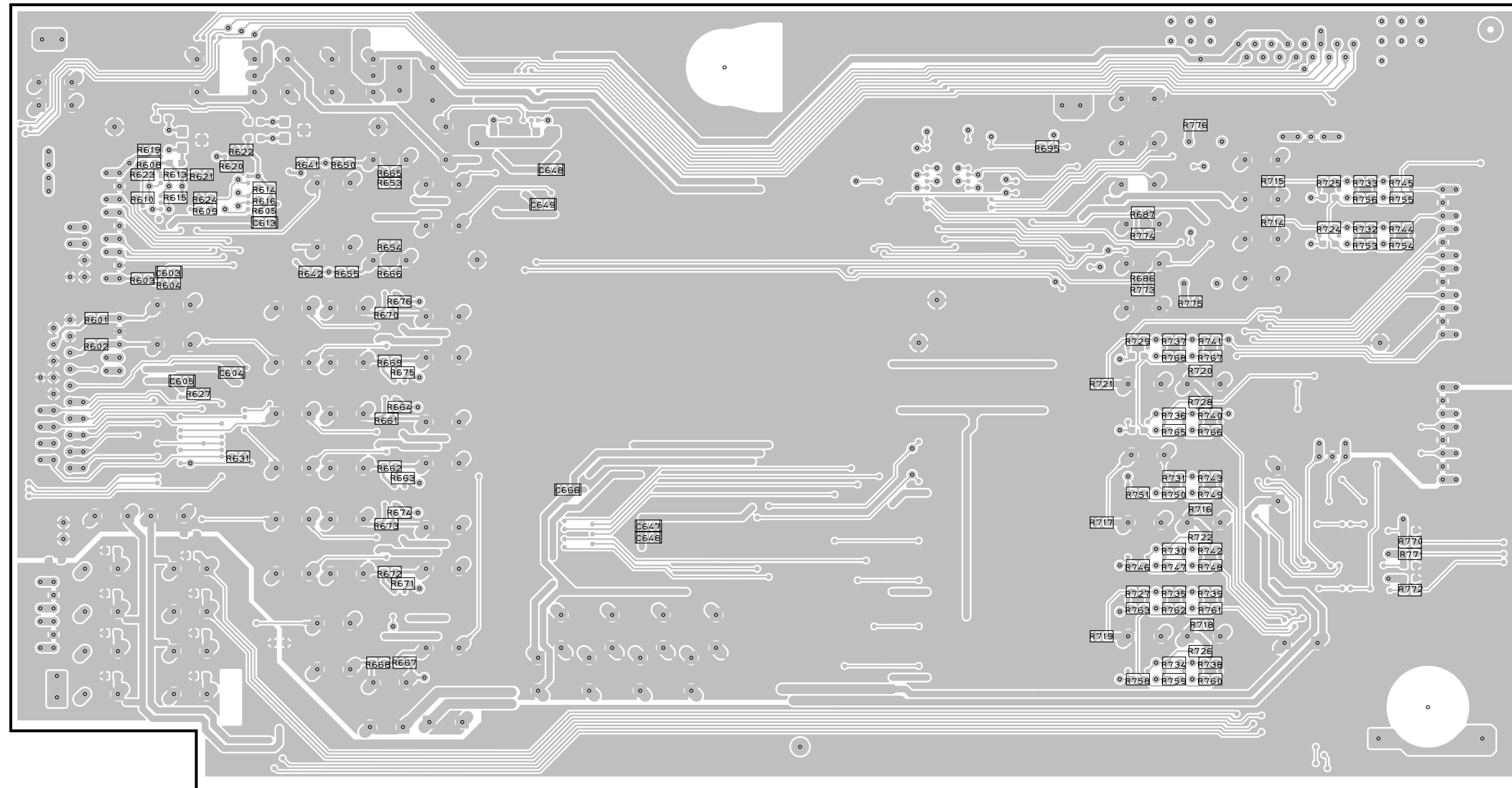
X : NOT USED
O : USED/APPLICABLE

• Semiconductor Location

Ref no.	Location	Ref no.	Location	Ref no.	Location	Ref no.	Location	Ref no.	Location	Ref no.	Location
D601	D3	IC602	C3	IC609	D4	IC616	G5	Q610	G5	Q619	H4
D602	D3	IC603	F3	IC610	D3	Q325	BG	Q613	H5	Q620	H4
D603	E3	IC604	H5	IC611	E5	Q603	D3	Q614	H5	Q621	H5
D604	E3	IC605	D3	IC612	H3	Q604	C3	Q615	I3	Q622	H5
D605	C3	IC606	D5	IC613	G3	Q605	G5	Q616	I3	Q623	I3
D606	C3	IC607	D5	IC614	G5	Q606	G5	Q617	H6	Q624	I3
IC601	C4	IC608	D4	IC615	G4	Q609	G6	Q618	H5	Q625	H6

1 ■ PRINTED CIRCUIT BOARD

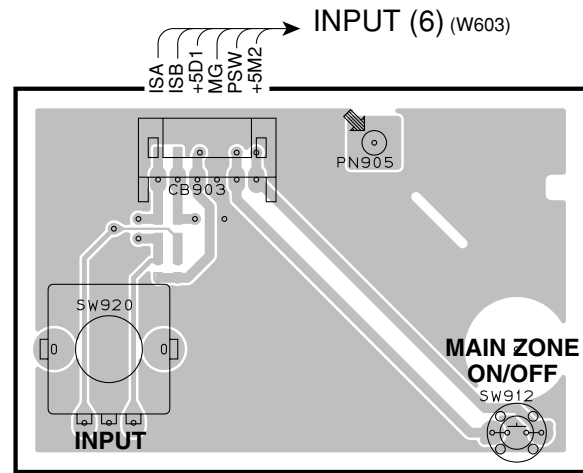
FUNCTION (2) P.C.B. (Side B) Lead Free Solder Used



PRINTED CIRCUIT BOARD

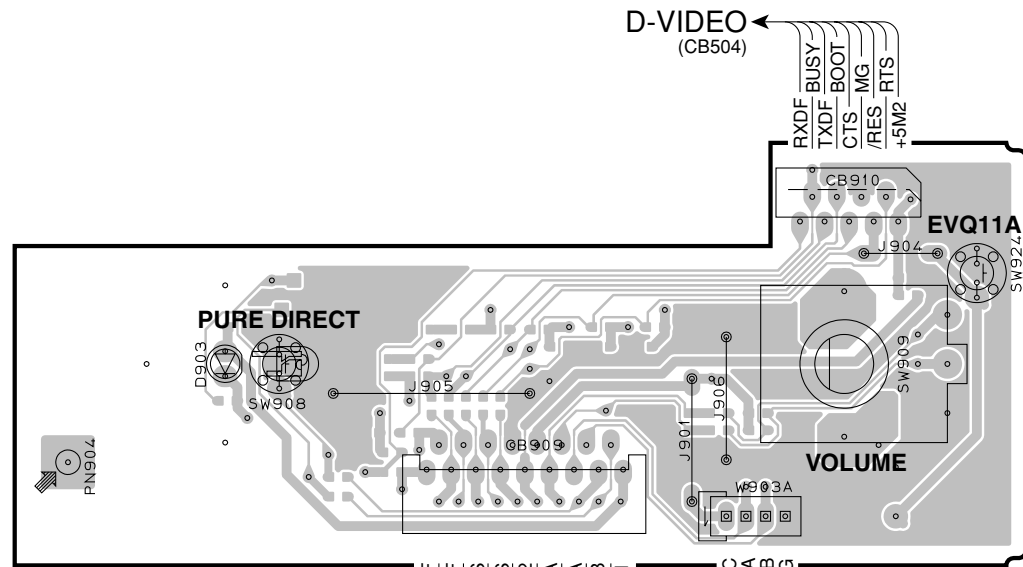
OPERATION (1) P.C.B.

(Side A)



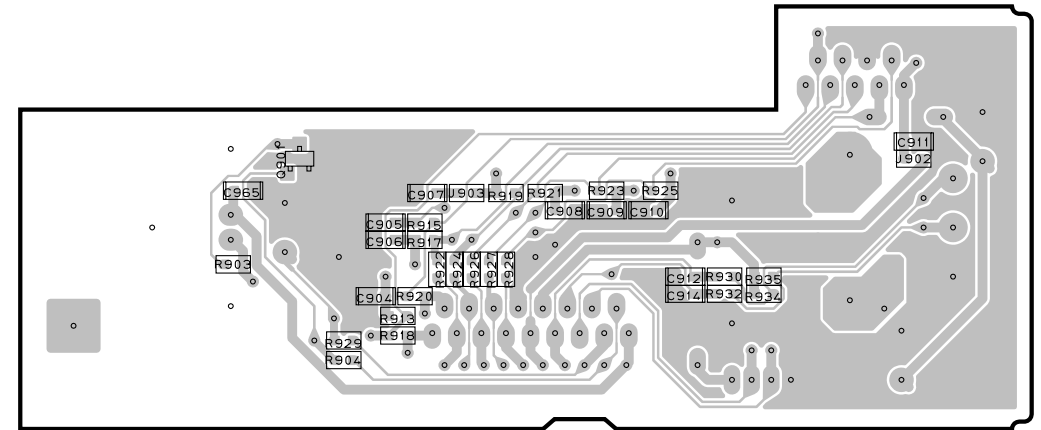
OPERATION (2) P.C.B.

(Side A)



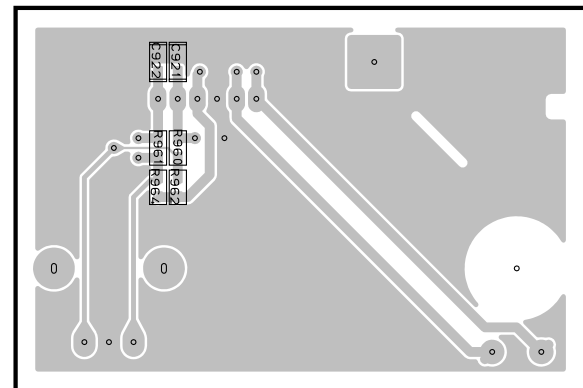
OPERATION (2) P.C.B.

(Side B) Lead Free Solder Used



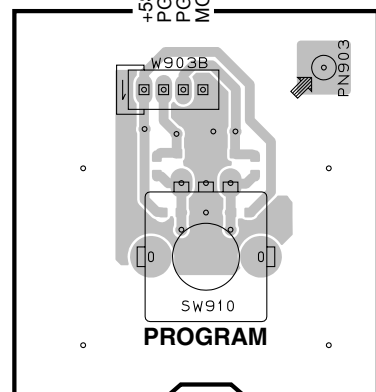
OPERATION (1) P.C.B.

(Side B) Lead Free Solder Used



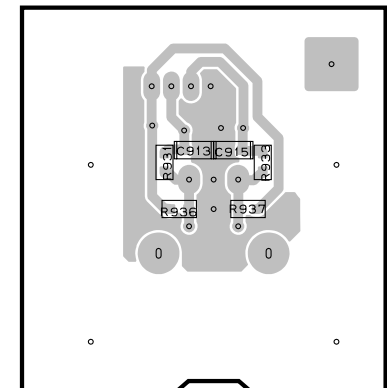
OPERATION (4) P.C.B.

(Side A)



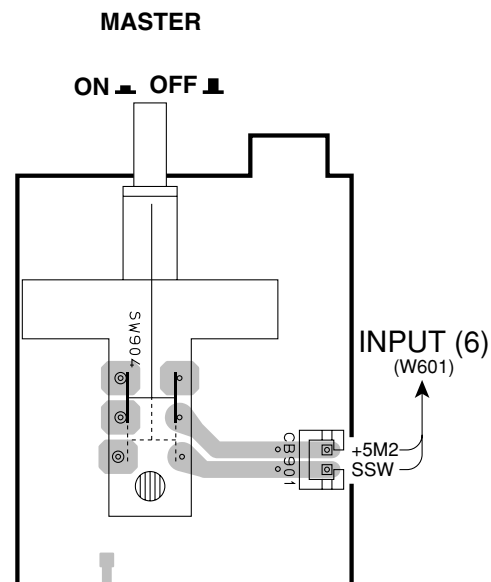
OPERATION (4) P.C.B.

(Side B) Lead Free Solder Used



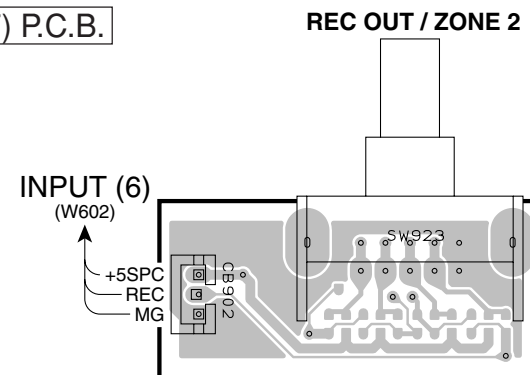
OPERATION (5) P.C.B.

(Side A)



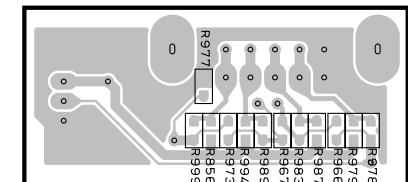
OPERATION (7) P.C.B.

(Side A)



OPERATION (7) P.C.B.

(Side B) Lead Free Solder Used



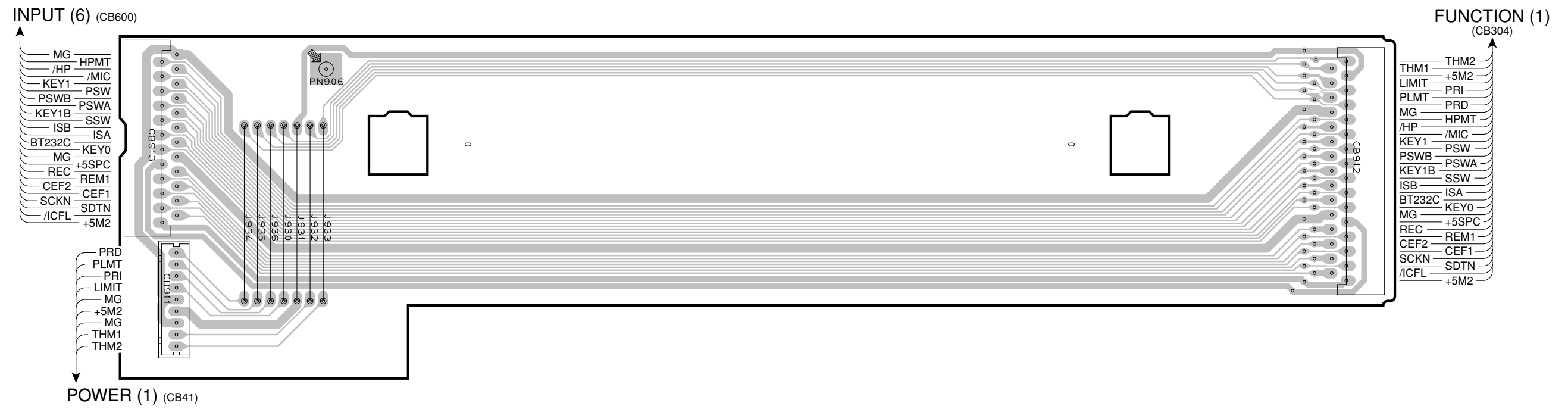
Semiconductor Location

Ref no.	Location
D903	D3
Q901	H3

■ PRINTED CIRCUIT BOARD

OPERATION (6) P.C.B.

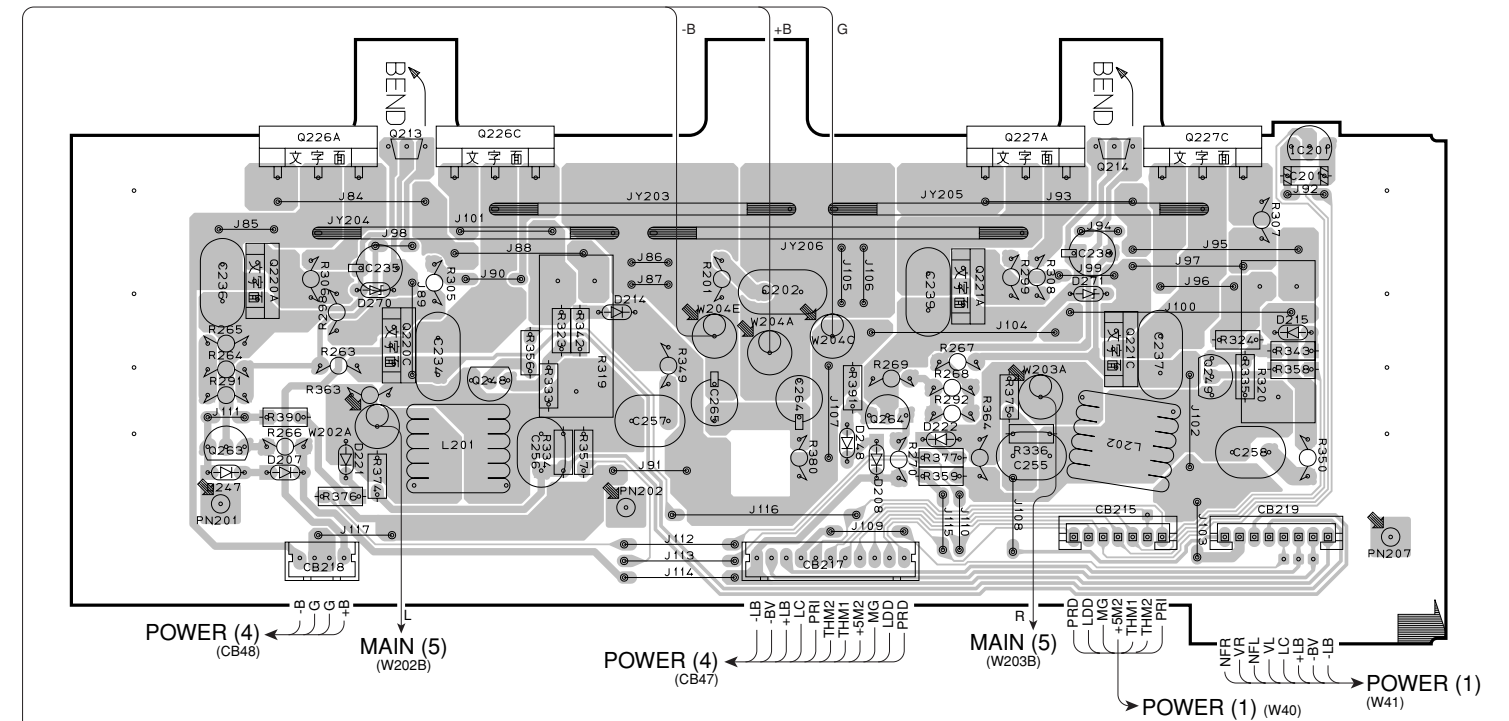
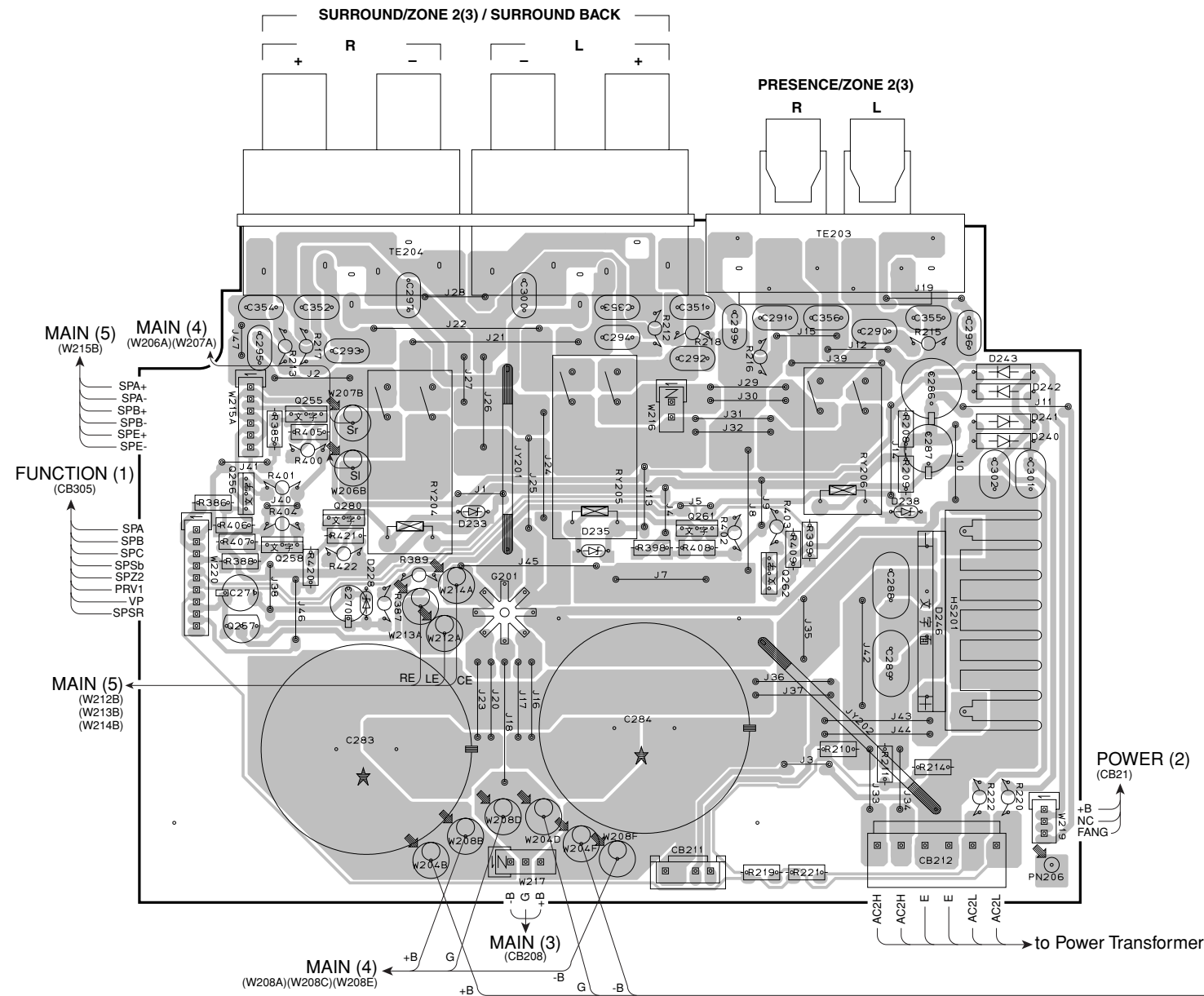
(Side A)



1 ■ PRINTED CIRCUIT BOARD Lead Free Solder Used

MAIN (1) P.C.B. (Side A)

MAIN (2) P.C.B. (Side A)

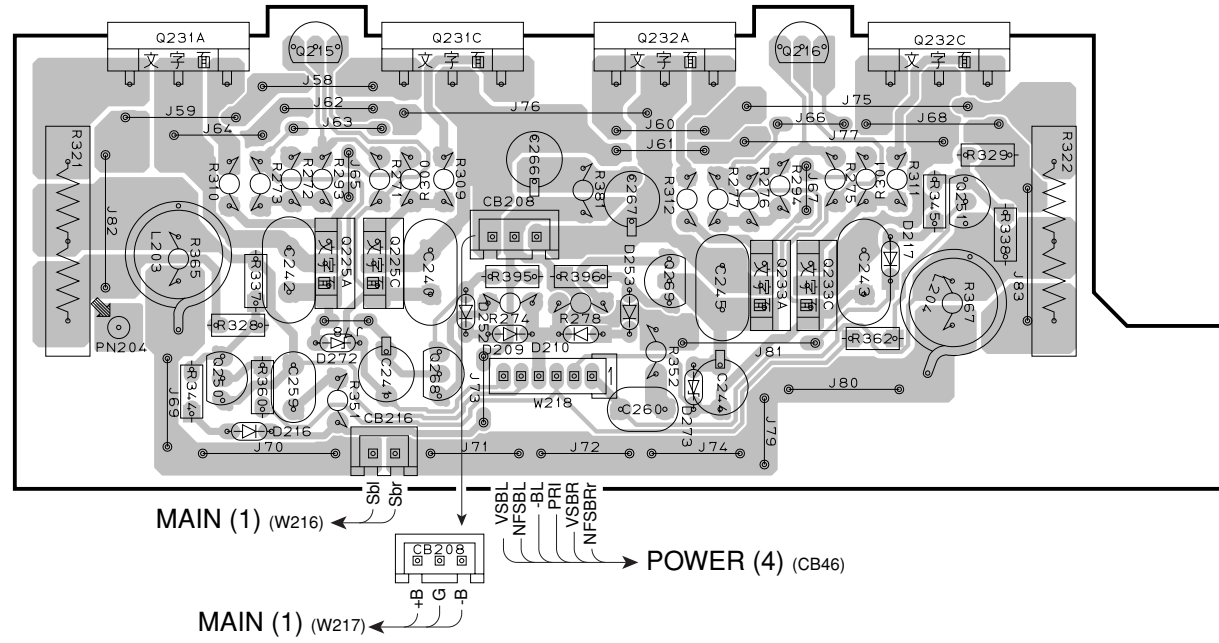


• Semiconductor Location

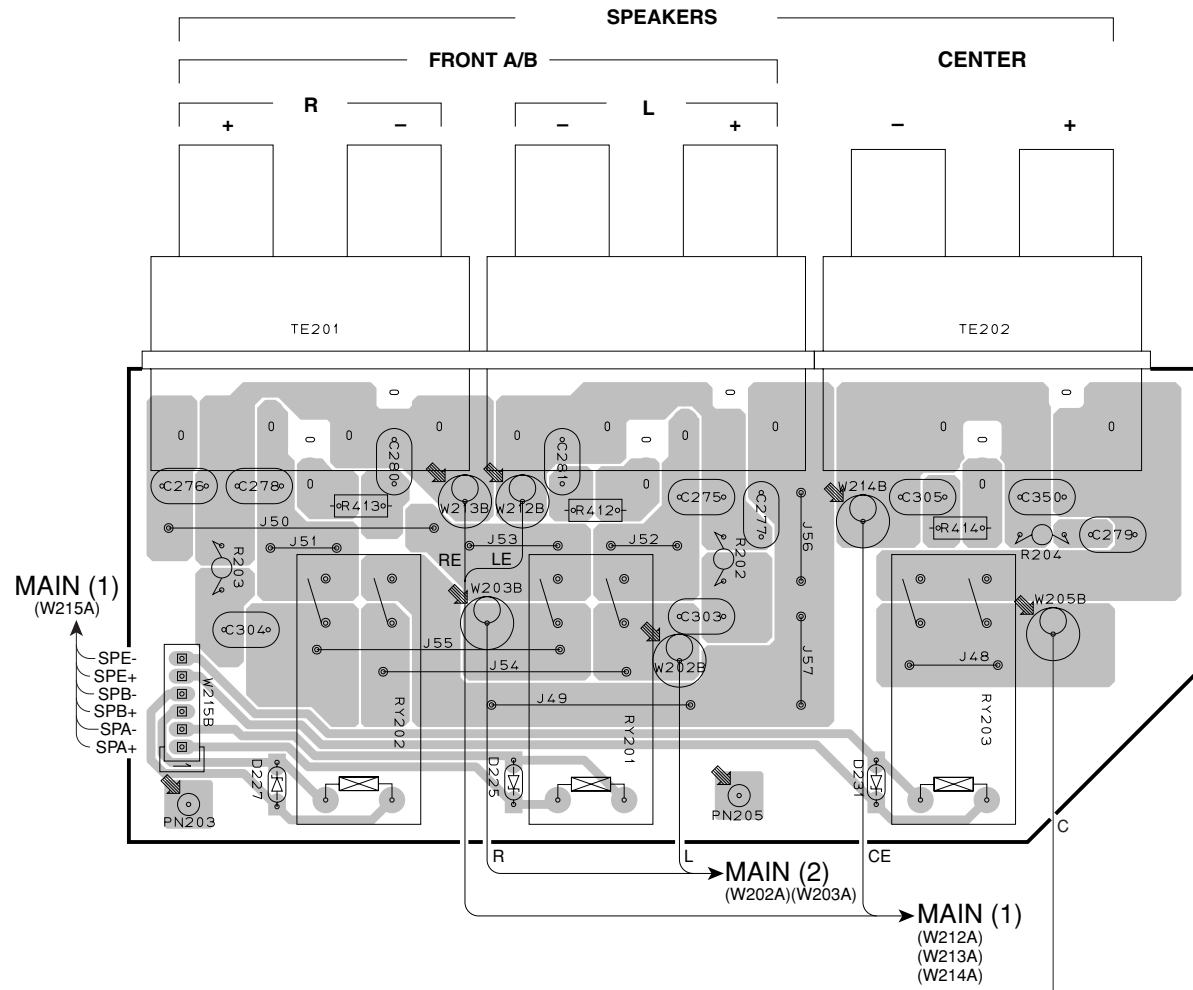
Ref no.	Location	Ref no.	Location	Ref no.	Location
D207	G4	D248	H4	Q255	B3
D208	I4	D270	G4	Q256	B3
D214	H4	D271	I4	Q257	B4
D215	J4	IC201	J3	Q258	B4
D221	G4	Q213	G3	Q261	D4
D222	I4	Q214	I3	Q262	D4
D228	B4	Q220A	G4	Q263	F4
D233	C4	Q220C	G4	Q264	I4
D235	C4	Q221A	I4	Q280	B4
D238	E4	Q221C	I4		
D240	E3	Q226A	G3		
D241	E3	Q226C	G3		
D242	E3	Q227A	I3		
D243	E3	Q227C	J3		
D246	E3	Q248	G4		
D247	F4	Q249	J4		

PRINTED CIRCUIT BOARD Lead Free Solder Used

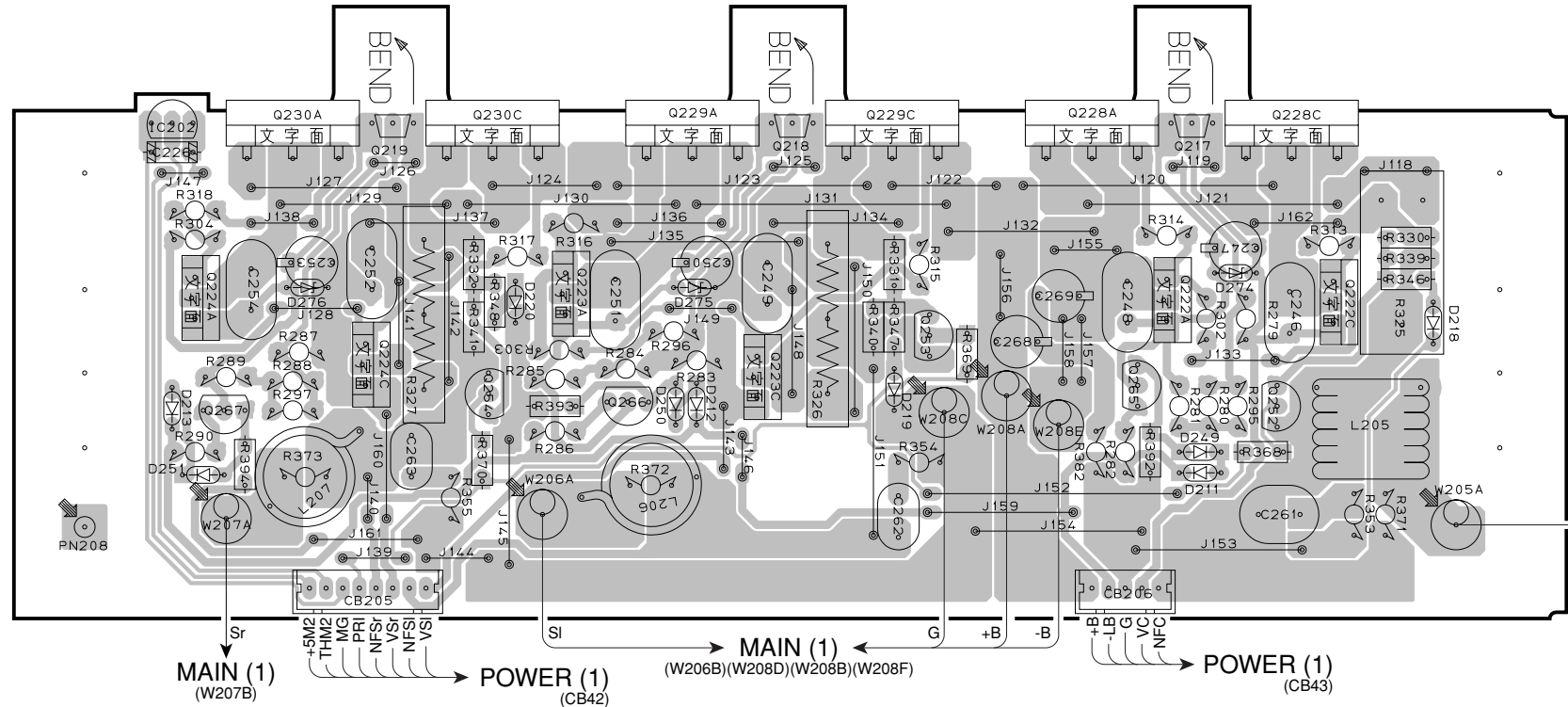
MAIN (3) P.C.B. (Side A)



MAIN (5) P.C.B. (Side A)



MAIN (4) P.C.B. (Side A)

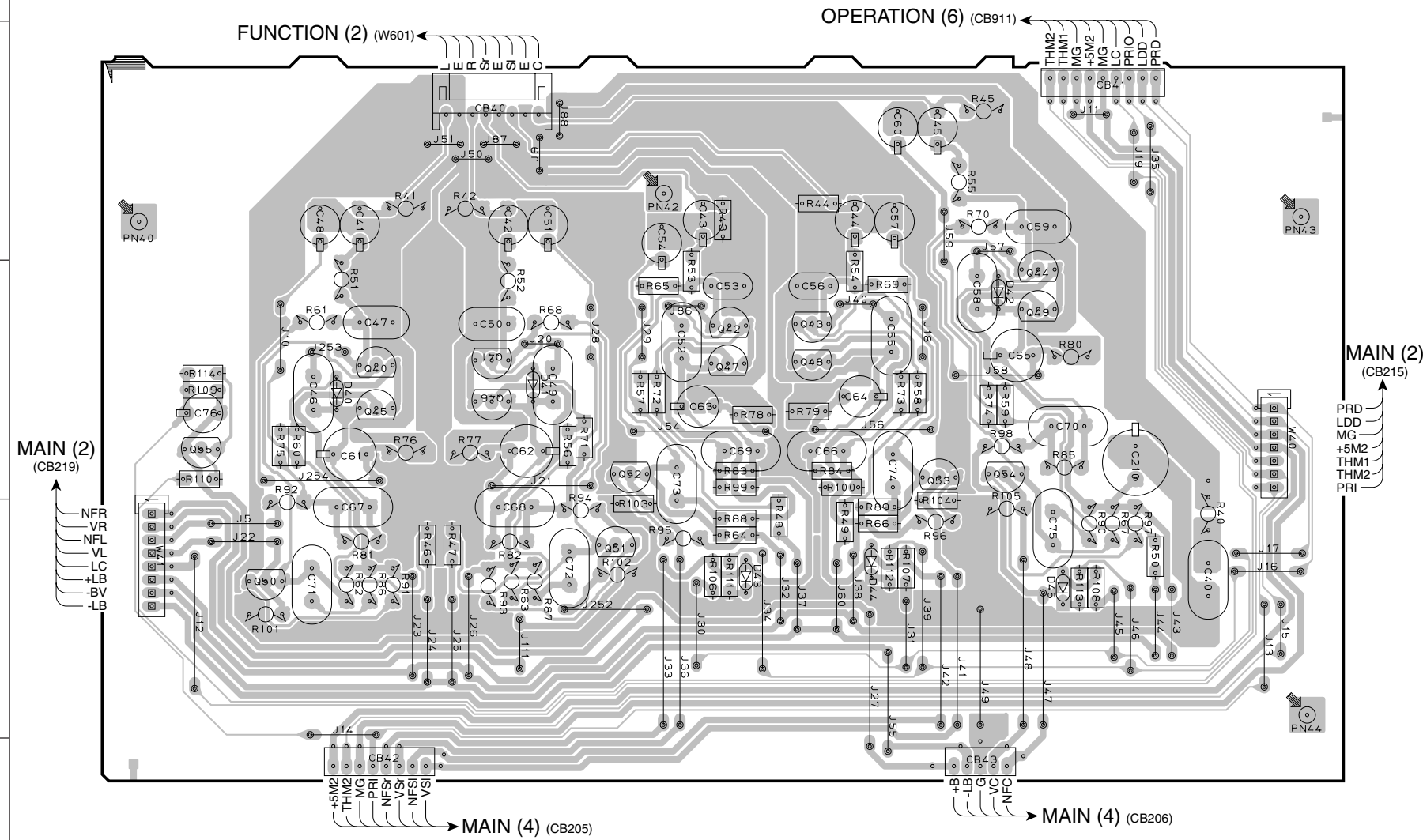


• Semiconductor Location

Ref no.	Location	Ref no.	Location
D207	G4	Q214	I3
D208	I4	Q220A	G4
D214	H4	Q220C	G4
D215	J4	Q221A	I4
D221	G4	Q221C	I4
D222	I4	Q226A	G3
D228	B4	Q226C	G3
D233	C4	Q227A	I3
D235	C4	Q227C	J3
D238	E4	Q248	G4
D240	E3	Q249	J4
D241	E3	Q255	B3
D242	E3	Q256	B3
D243	E3	Q257	B4
D246	E4	Q258	B4
D247	F4	Q261	D4
D248	H4	Q262	D4
D270	G4	Q263	F4
D271	I4	Q264	I4
IC201	J3	Q280	B4
Q213	G3		

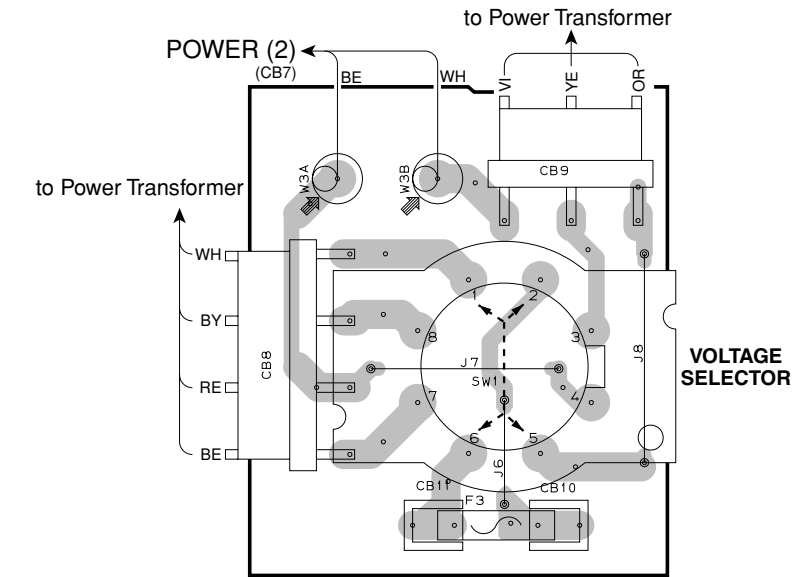
1 ■ PRINTED CIRCUIT BOARD

POWER (1) P.C.B. (Side A)



POWER (6) P.C.B. (Side A)

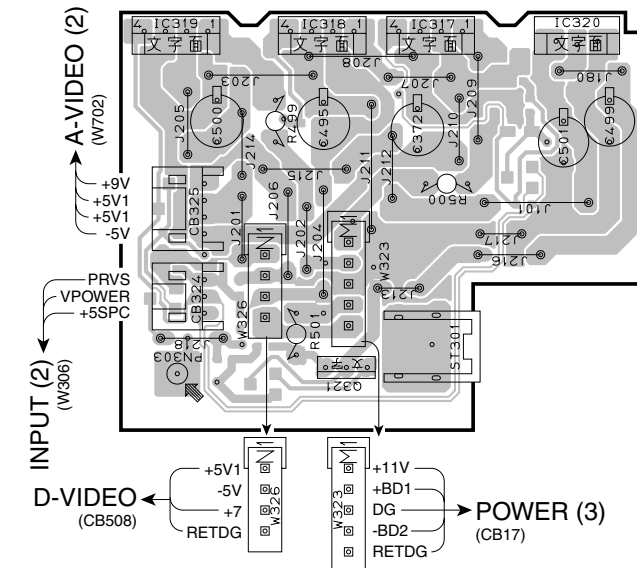
R, L models



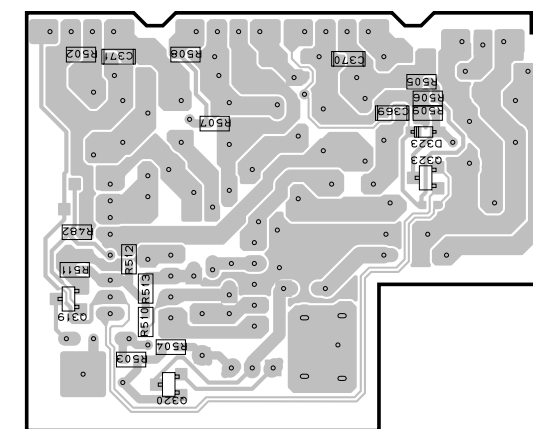
• Semiconductor Location

Ref no.	Location
D40	B3
D41	C3
D42	E3
D43	D4
D44	D4
D45	E4
D323	H6
IC317	E5
IC318	E5
IC319	E5
IC320	F5
Q40	B3
Q41	C3
Q42	D3
Q43	D3
Q44	E3
Q45	B3
Q46	C3
Q47	D3
Q48	D3
Q49	E3
Q50	B4
Q51	C4
Q52	C3
Q53	E3
Q54	E3
Q55	B3
Q319	G6
Q320	G7
Q321	E6
Q323	H6

POWER (7) P.C.B. (Side A)



POWER (7) P.C.B. (Side B) Lead Free Solder Used



Circuit No.	U, C, T, K, A, B, G, J	R, L
CB8	X	○
CB9	X	○
CB10, CB11	X	○
F3	X	○
J6, J7, J8	X	○
SW1	X	○
W3A, W3B	X	○

X : NOT USED
○ : USED/APPLICABLE

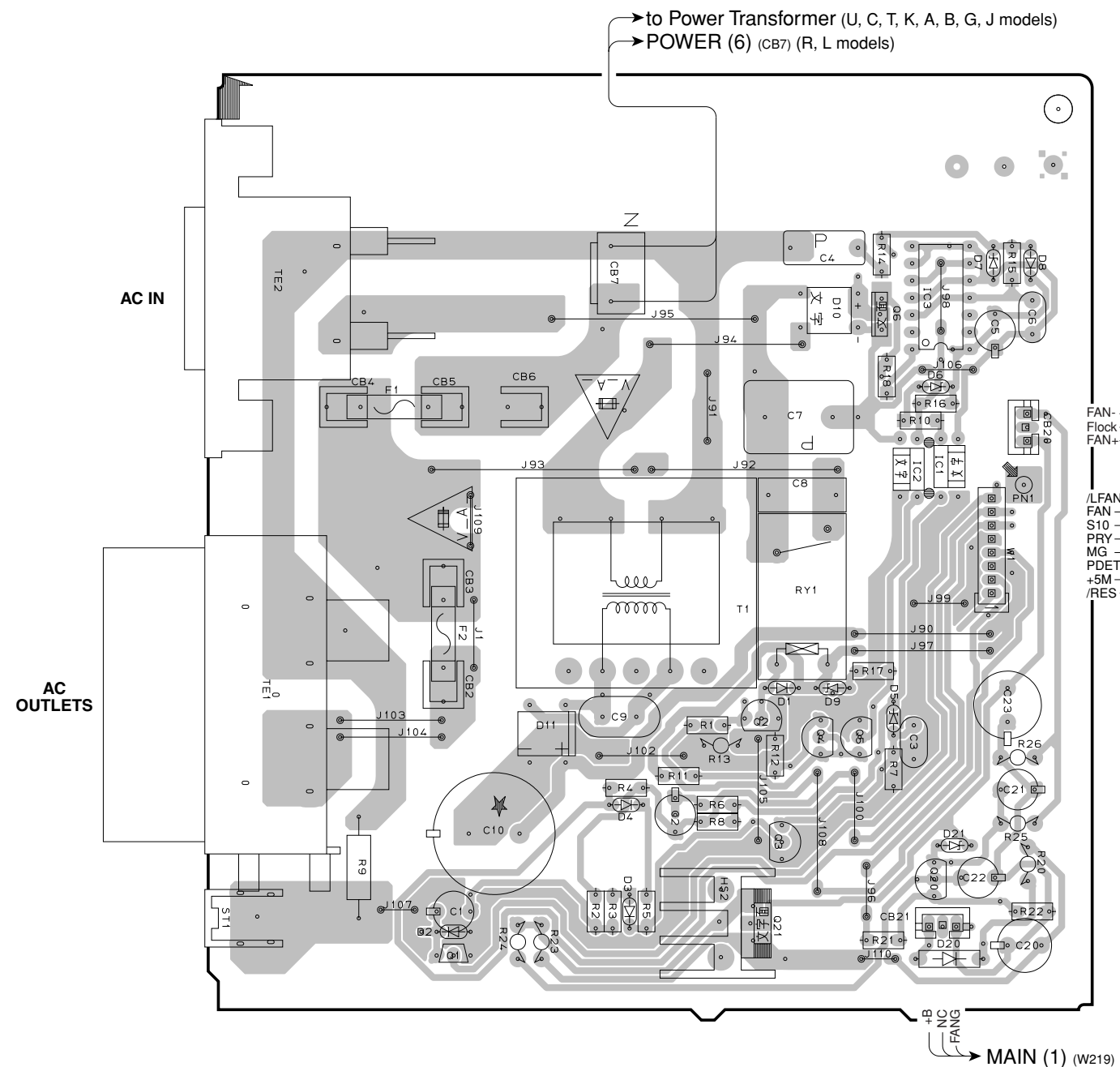
5

6

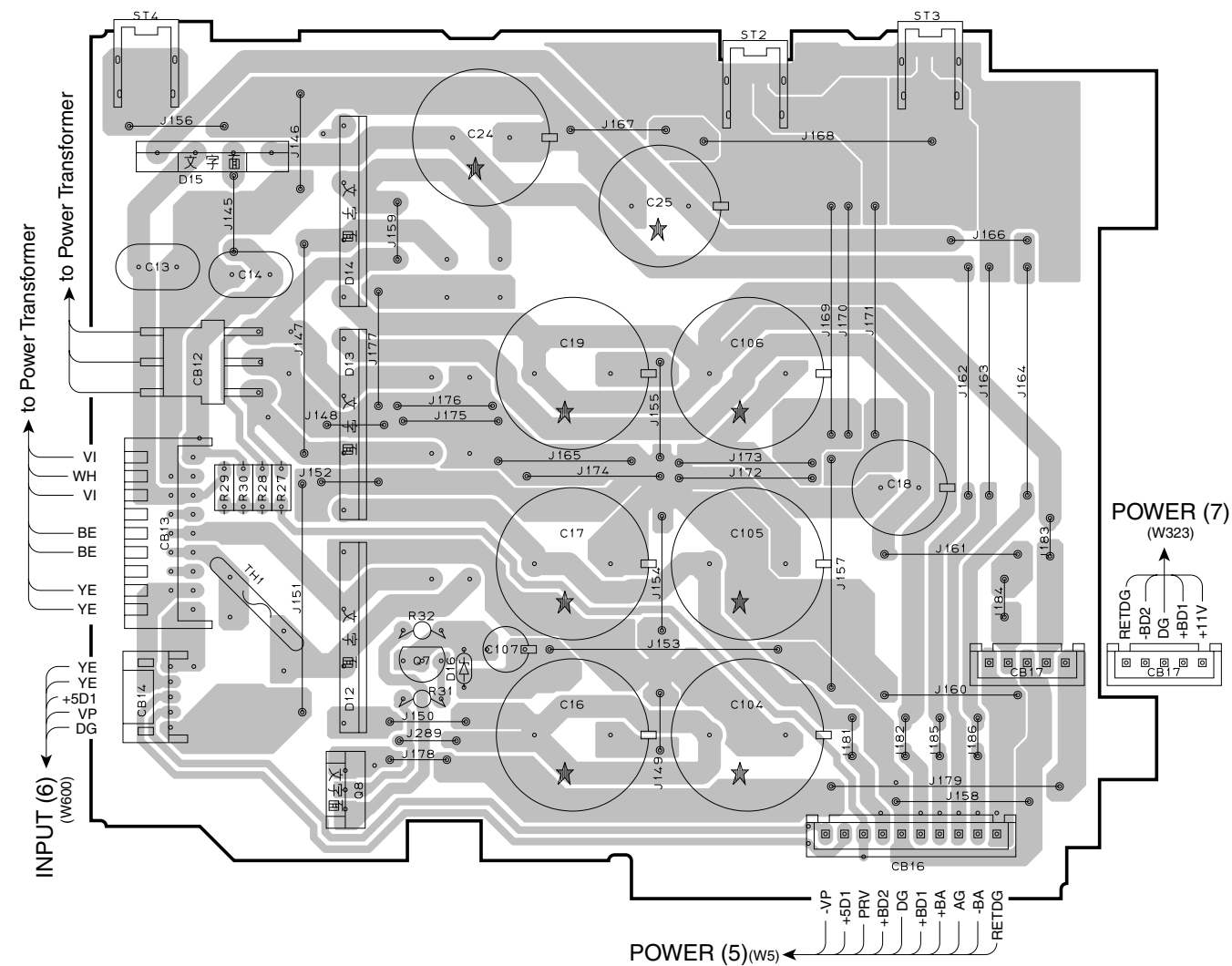
7

PRINTED CIRCUIT BOARD

POWER (2) P.C.B. (Side A)



POWER (3) P.C.B. (Side A)



Circuit No.	U, C	R, L, J	T, A, B	K	G
CB2, CB3	O	X	X	X	O
CB5	X	X	O	O	O
CB6	O	O	X	X	X
F2	O	X	X	X	O
J1	X	O	O	O	X
R9	O	X	X	X	X
TE1	O	O	O	X	O

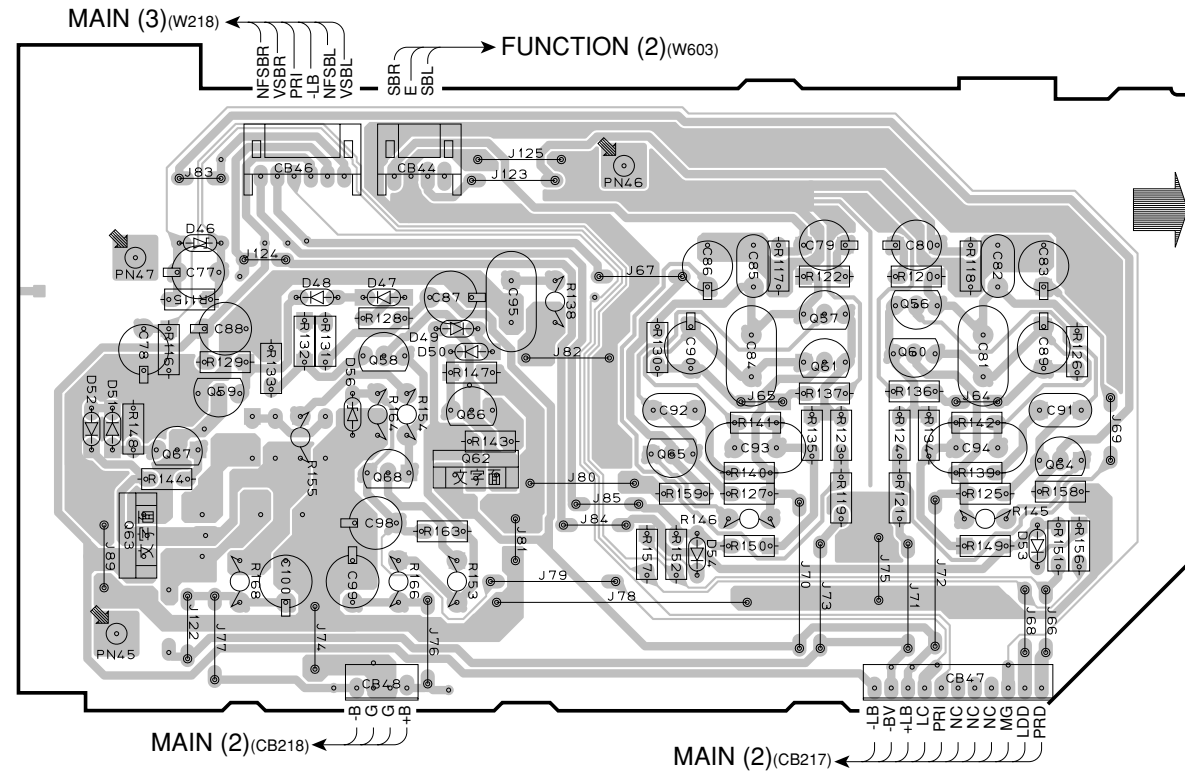
X : NOT USED
O : USED/APPLICABLE

• Semiconductor Location

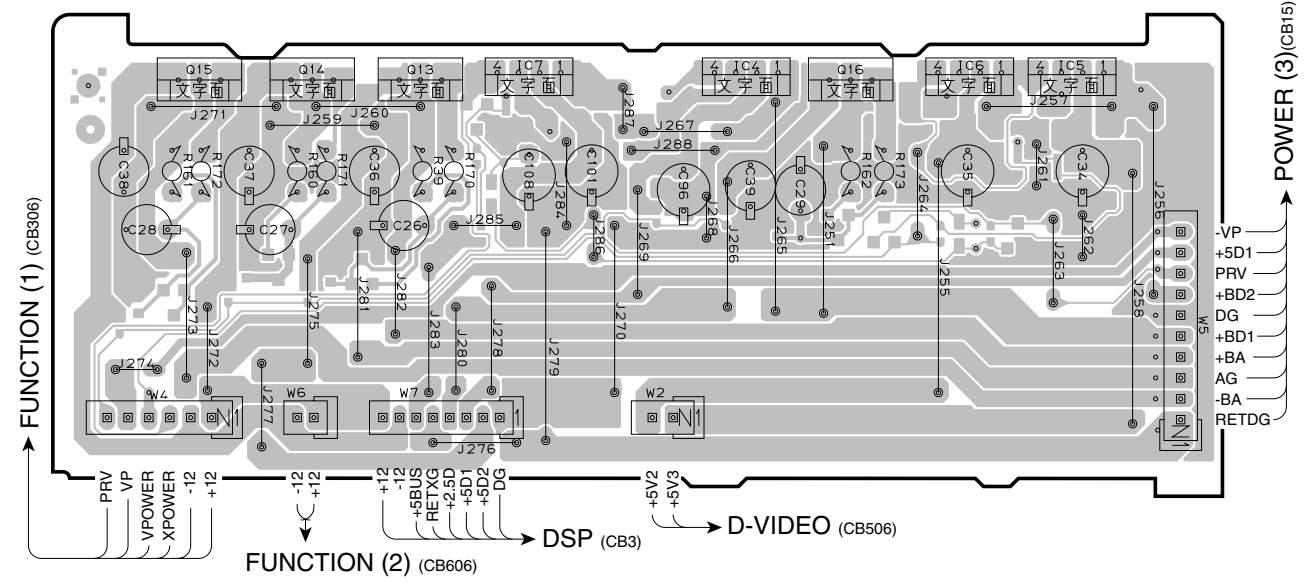
Ref no.	Location	Ref no.	Location	Ref no.	Location
D1	D4	D12	G4	IC3	D3
D2	C5	D13	G3	Q1	C5
D3	C5	D14	G3	Q2	D4
D4	C5	D15	F2	Q3	D5
D5	D4	D16	G4	Q4	D5
D6	D3	D20	D5	Q5	D5
D7	E3	D21	E5	Q6	D3
D8	E3	D28	UC	Q7	G4
D9	D4	D31	UC	Q8	G5
D10	D3	IC1	E3	Q20	D5
D11	C5	IC2	D3	Q21	D5

1 ■ PRINTED CIRCUIT BOARD

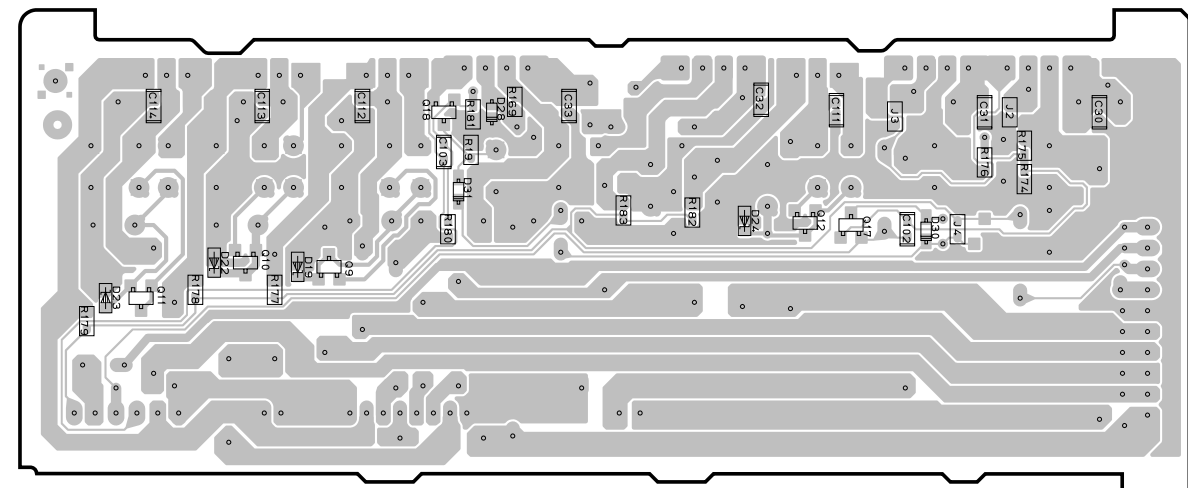
POWER (4) P.C.B. (Side A)



POWER (5) P.C.B. (Side A)



POWER (5) P.C.B. (Side B) Lead Free Solder Used



Circuit No.	U, C	R, T, K, A, B, G, L	J
C33, 103	O	X	X
C37, 38	O	X	O
C101	O	X	X
C108	O	X	X
D28	O	X	X
D31	O	X	X
IC7	O	X	X
Q18	O	X	X
R19	O	X	X
R169	O	X	X
R180	O	X	X
R181	O	X	X

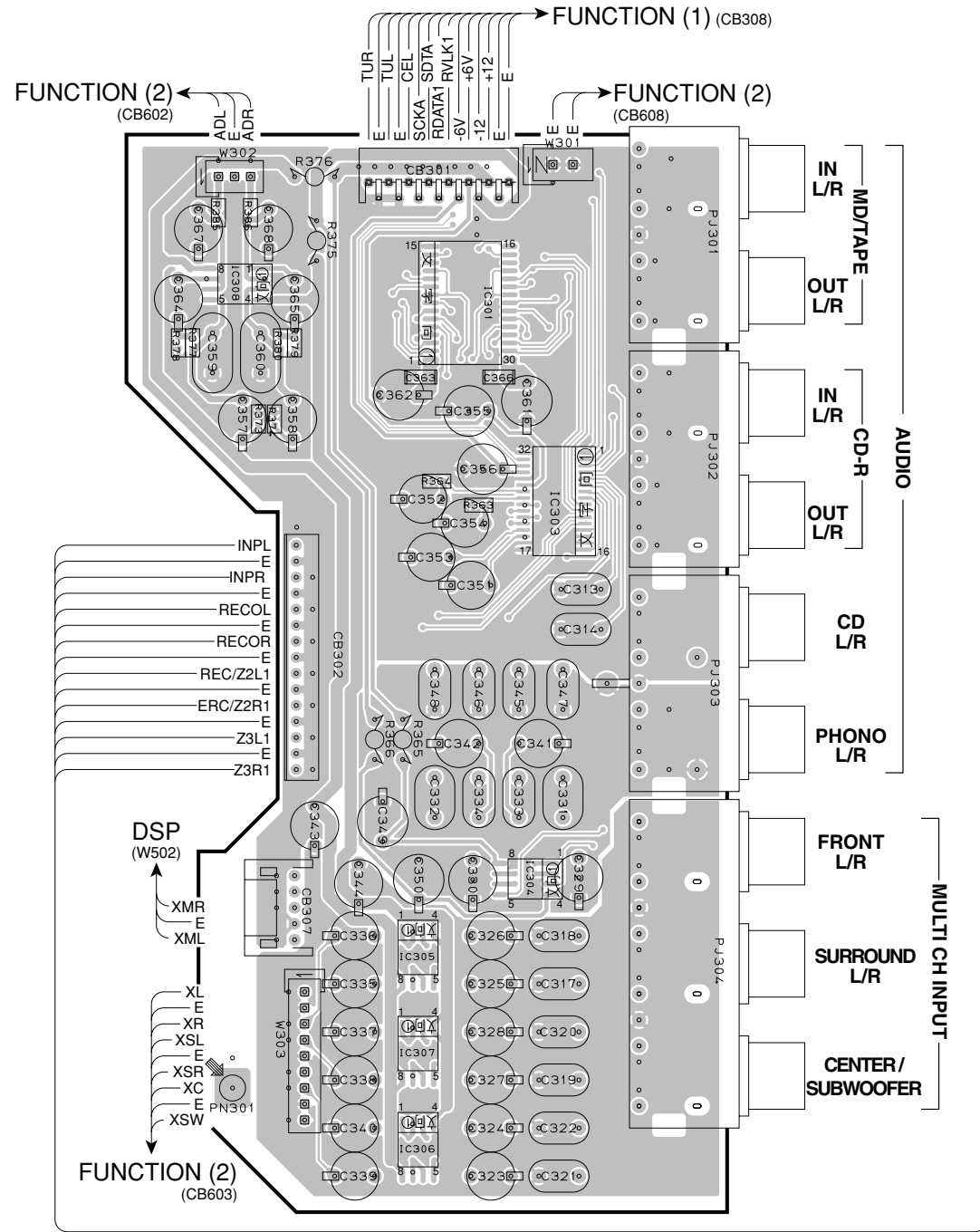
X : NOT USED
O : USED/APPLICABLE

• Semiconductor Location

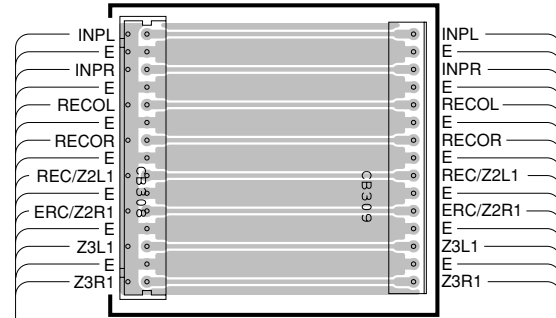
Ref no.	Location	Ref no.	Location
D19	G5	Q11	F5
D22	F5	Q12	H5
D23	F5	Q13	G2
D24	H5	Q14	G2
D28	G5	Q15	F2
D30	I5	Q16	H2
D31	G5	Q17	H5
D46	B2	Q18	G5
D47	B3	Q56	D3
D48	B3	Q57	D3
D49	C3	Q58	B3
D50	C3	Q59	B3
D51	A3	Q60	D3
D52	A3	Q61	D3
D53	E3	Q62	C3
D56	B3	Q63	B3
IC4	H2	Q64	E3
IC5	I2	Q65	C3
IC6	I2	Q66	C3
IC7	G2	Q67	B3
Q9	G5	Q68	B3
Q10	F5		

PRINTED CIRCUIT BOARD

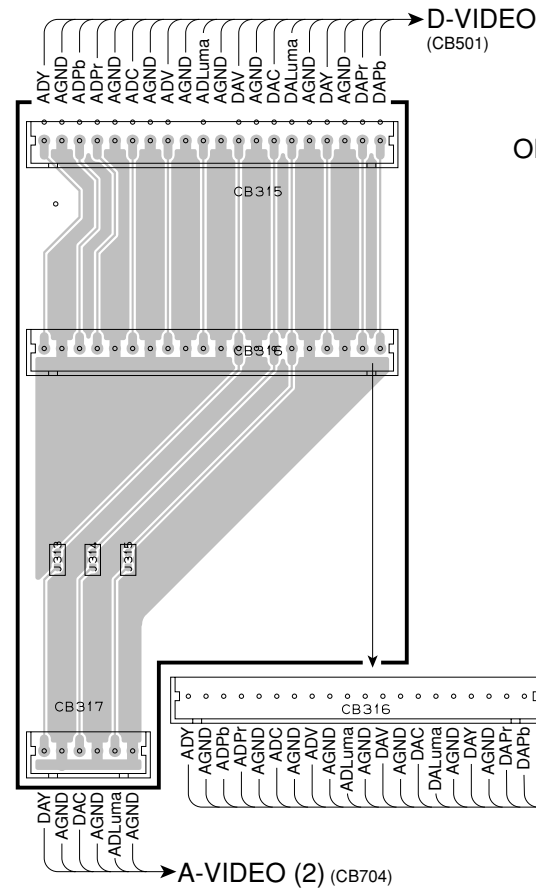
INPUT (1) P.C.B. (Side A) Lead Free Solder Used



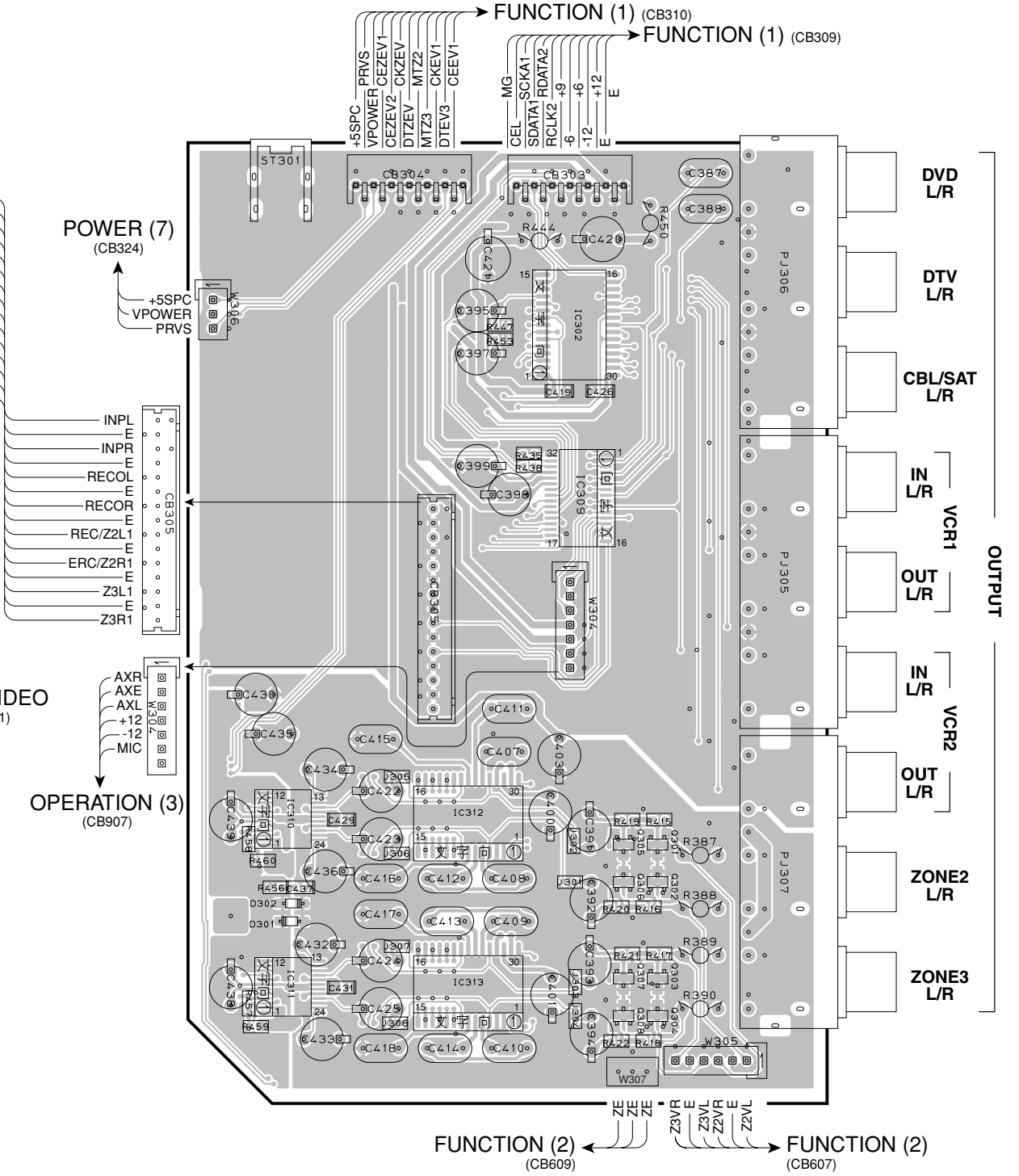
INPUT (4) P.C.B. (Side A) Lead Free Solder Used



INPUT (5) P.C.B. (Side A) Lead Free Solder Used



INPUT (2) P.C.B. (Side A) Lead Free Solder Used

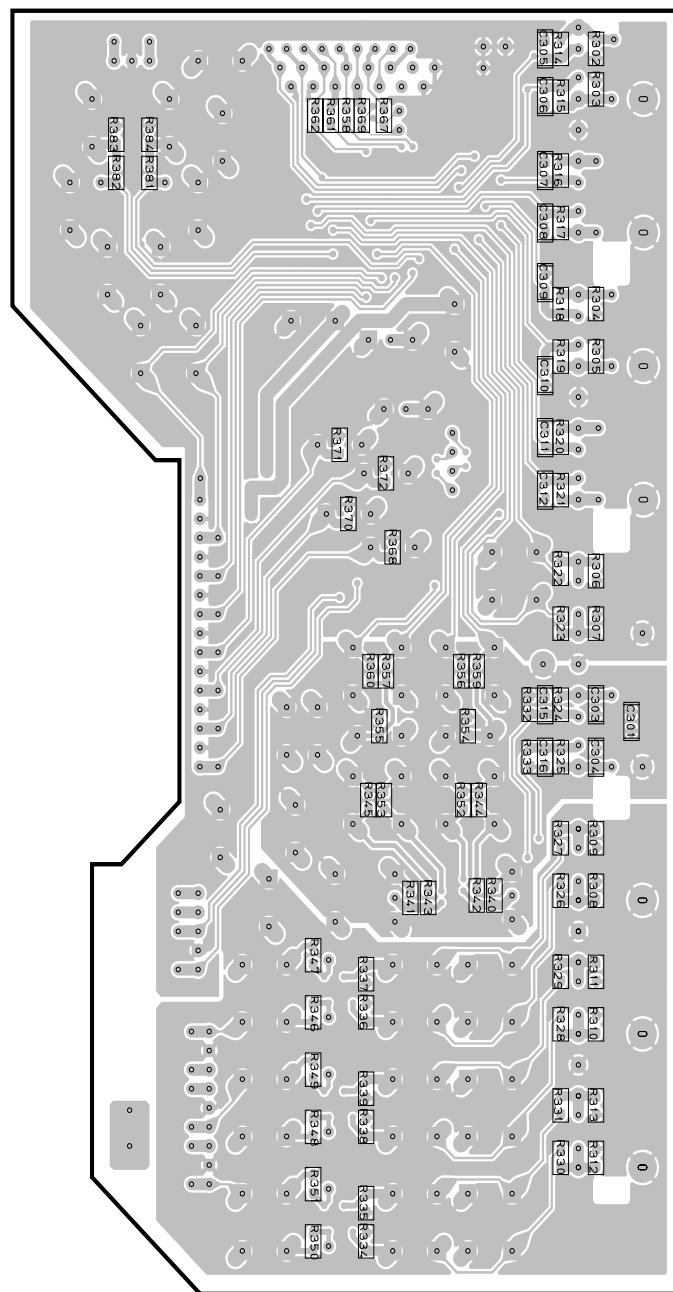


Semiconductor Location

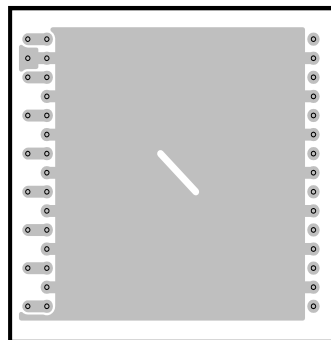
Ref no.	Location	Ref no.	Location	Ref no.	Location	Ref no.	Location	Ref no.	Location	Ref no.	Location
D301	G5	IC303	C4	IC307	B6	IC311	G5	Q302	I5	Q306	I5
D302	G5	IC304	C5	IC308	B3	IC312	H5	Q303	I5	Q307	I5
IC301	B3	IC305	B5	IC309	I3	IC313	H5	Q304	I5	Q308	I5
IC302	I3	IC306	B6	IC310	G5	Q301	I5	Q305	I5		

1 ■ PRINTED CIRCUIT BOARD

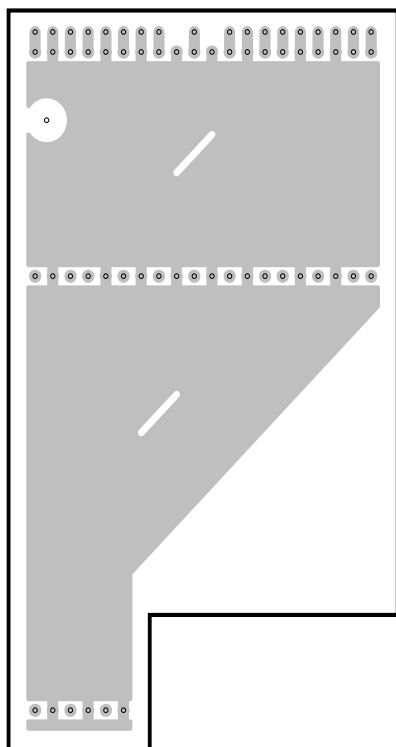
INPUT (1) P.C.B. (Side B) Lead Free Solder Used



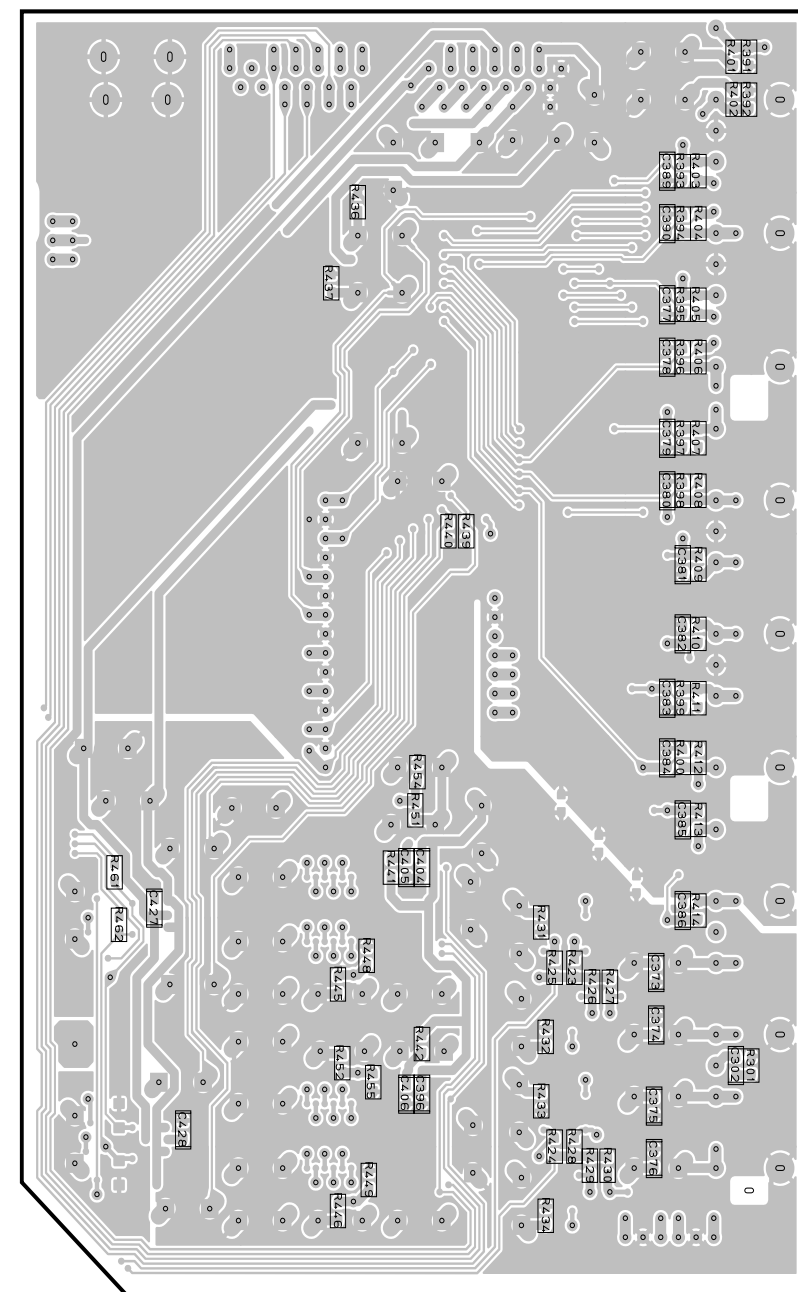
INPUT (4) P.C.B. (Side B)
Lead Free Solder Used



INPUT (5) P.C.B. (Side B)
Lead Free Solder Used



INPUT (2) P.C.B. (Side B) Lead Free Solder Used

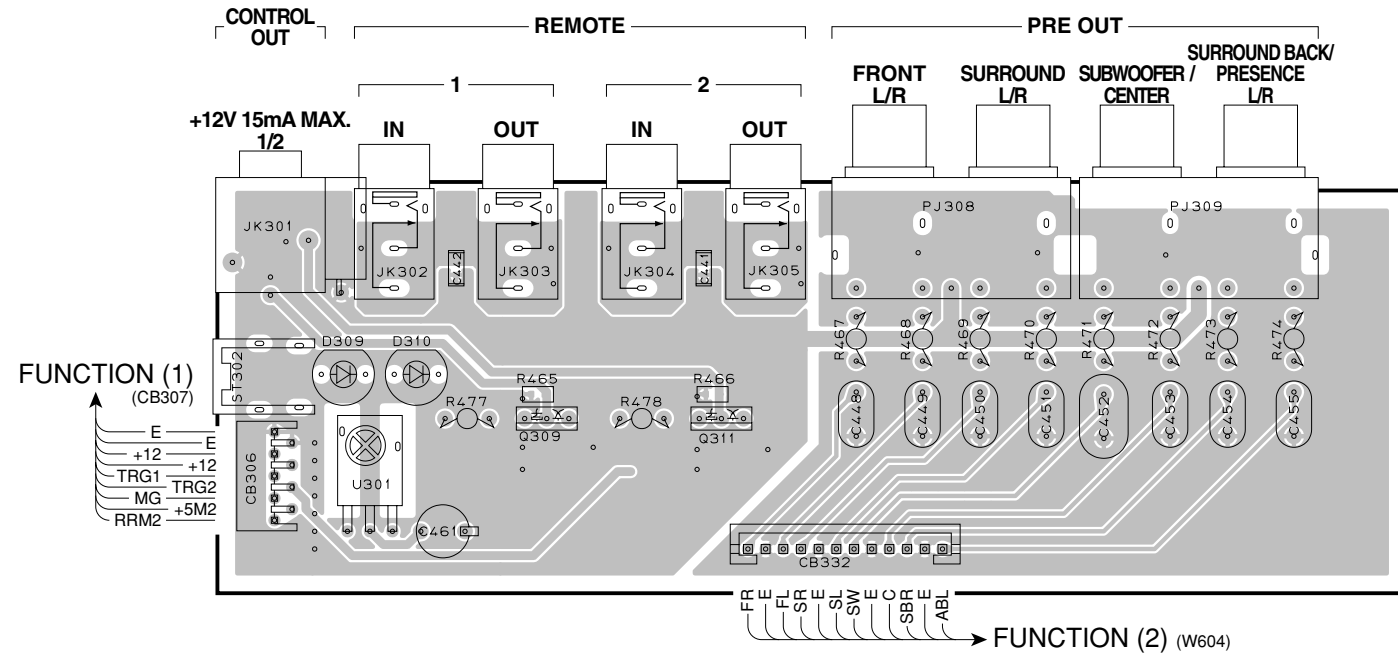


Circuit No.	U, C, J	R, T, K, A, B, G, L
C303, 304	X	O

X : NOT USED
O : USED/APPLICABLE

PRINTED CIRCUIT BOARD

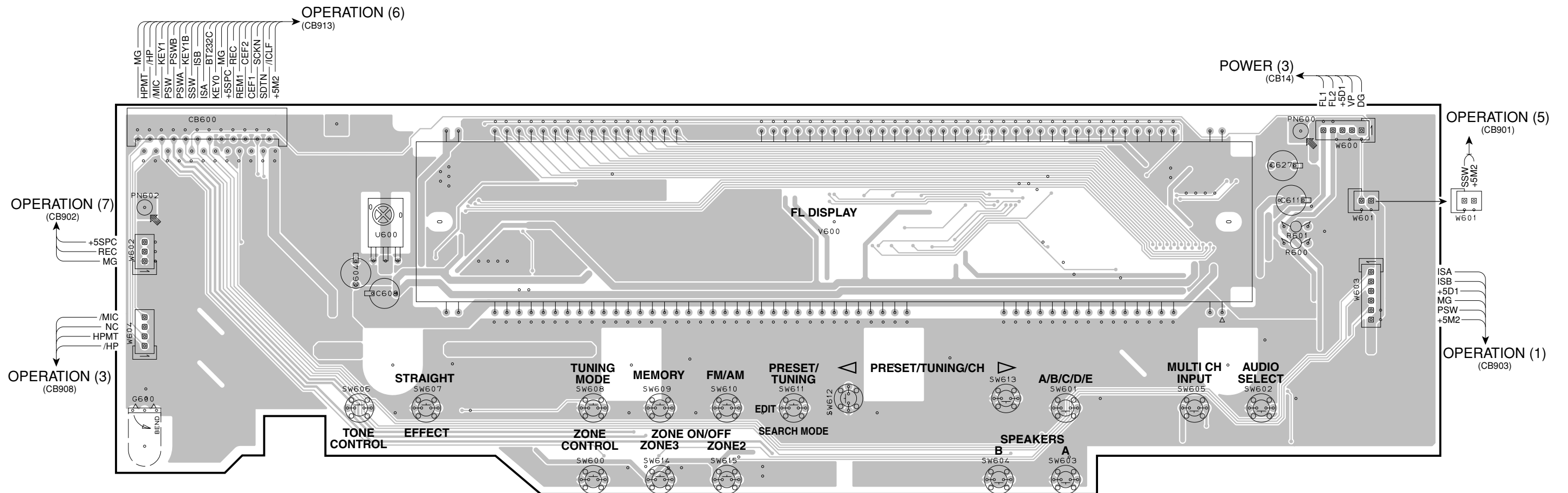
INPUT (3) P.C.B. (Side A) Lead Free Solder Used



• Semiconductor Location

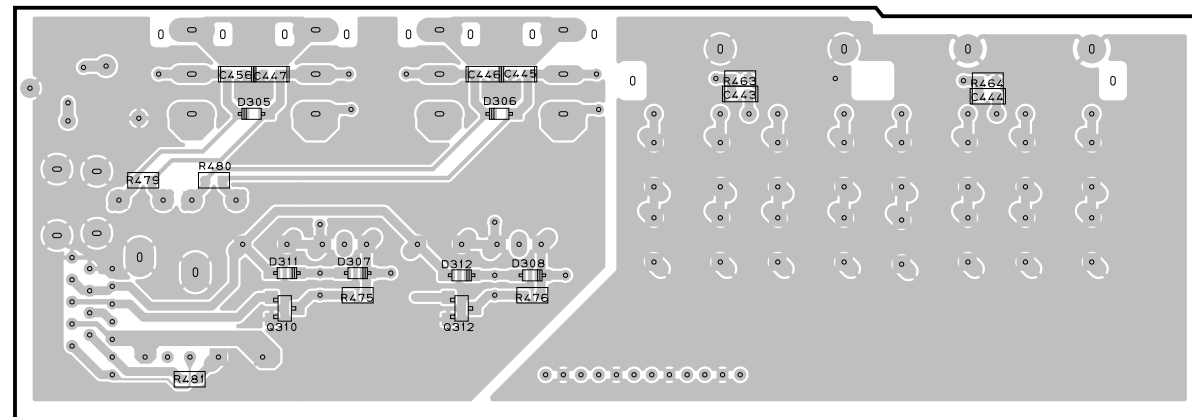
Ref no.	Location
D309	B3
D310	C3
Q309	C3
Q311	D3

INPUT (6) P.C.B. (Side A) Lead Free Solder Used



1 ■ PRINTED CIRCUIT BOARD

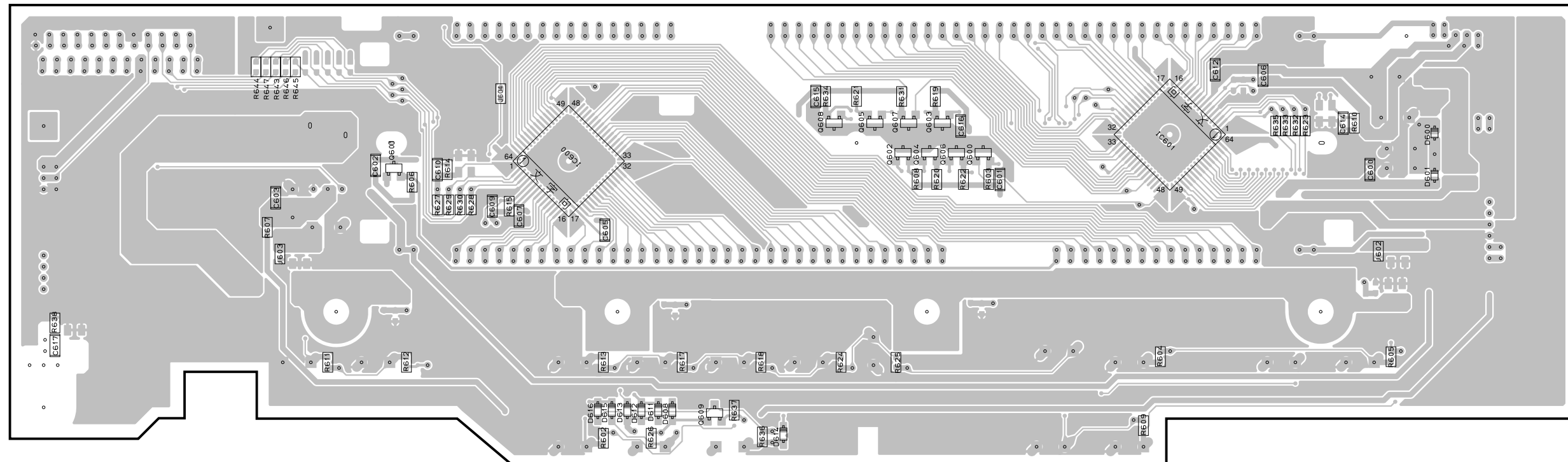
INPUT (3) P.C.B. (Side B) Lead Free Solder Used



• Semiconductor Location

Ref no.	Location	Ref no.	Location	Ref no.	Location	Ref no.	Location
D305	B2	D608	E7	IC601	H5	Q605	F5
D306	C2	D611	E7	Q310	B3	Q606	F5
D307	C3	D612	E7	Q312	C3	Q607	F5
D308	C3	D613	E7	Q600	G5	Q608	F5
D311	B3	D614	F7	Q601	D5	Q609	E7
D312	C3	D615	E7	Q602	F5		
D600	I5	D616	E7	Q603	F5		
D601	I5	IC600	D5	Q604	F5		

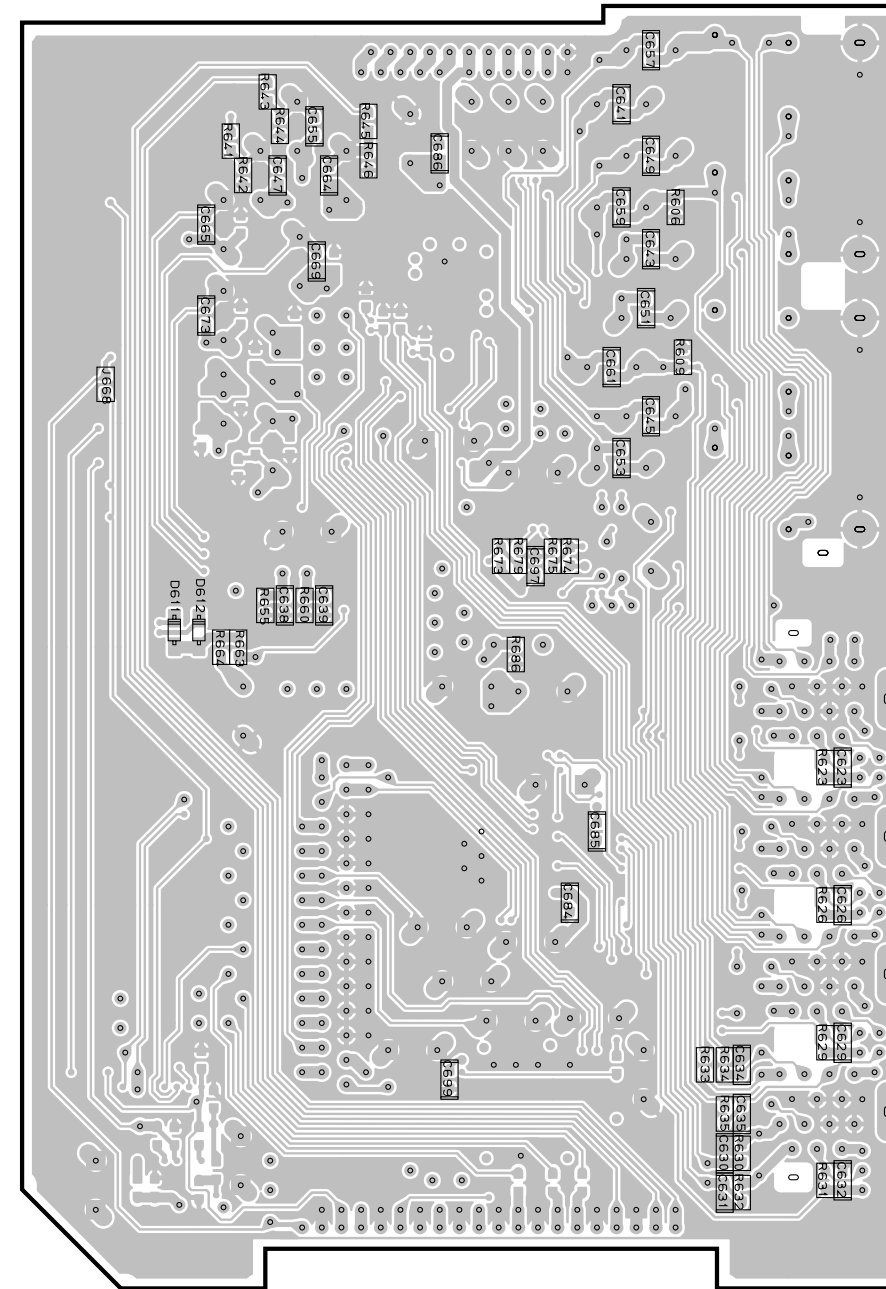
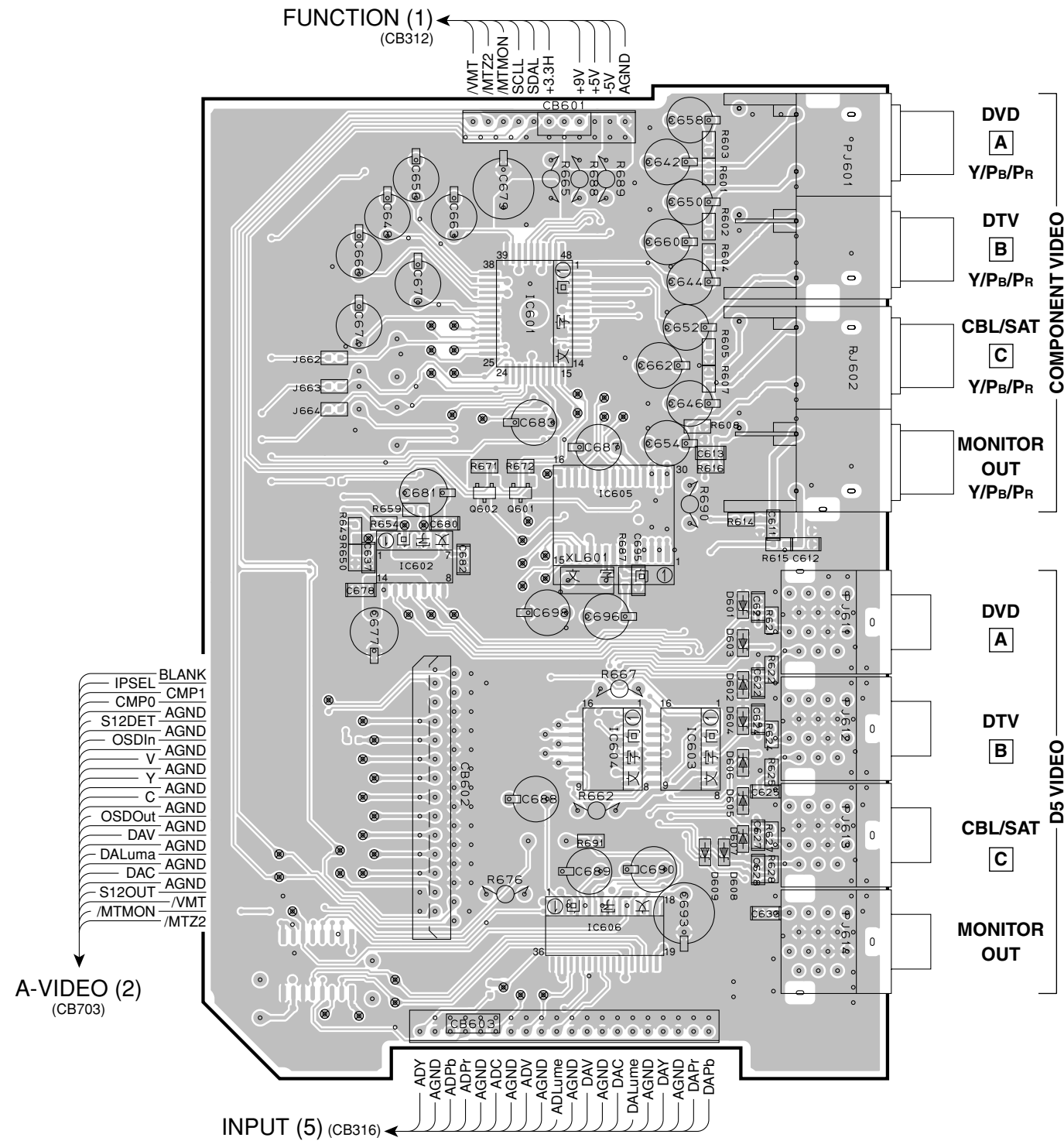
4 INPUT (6) P.C.B. (Side B) Lead Free Solder Used



PRINTED CIRCUIT BOARD

A-VIDEO (1) P.C.B. (Side A) Lead Free Solder Used

A-VIDEO (1) P.C.B. (Side B) Lead Free Solder Used



• Semiconductor Location

Ref no.	Location	Ref no.	Location
D601	D4	D612	G4
D602	D4	IC601	C3
D603	D4	IC602	C4
D604	D5	IC603	D5
D605	D5	IC604	C5
D606	D5	IC605	C4
D607	D5	IC606	C6
D608	D5	Q601	C4
D609	D5	Q602	C4
D611	F4		

Circuit No.	U, C, R, T, K, A, B, G, L	J		Circuit No.	U, C, R, T, K, A, B, G, L	J	
C621-632	X	O	D Connector	PJ611-614	X	O	D Connector
C633-635	X	O		R621-629	X	O	
C684, 685	X	O		R630-632	X	O	
D601-609	X	O		R633-635	X	O	
IC603, 604	X	O		R662, 667	X	O	

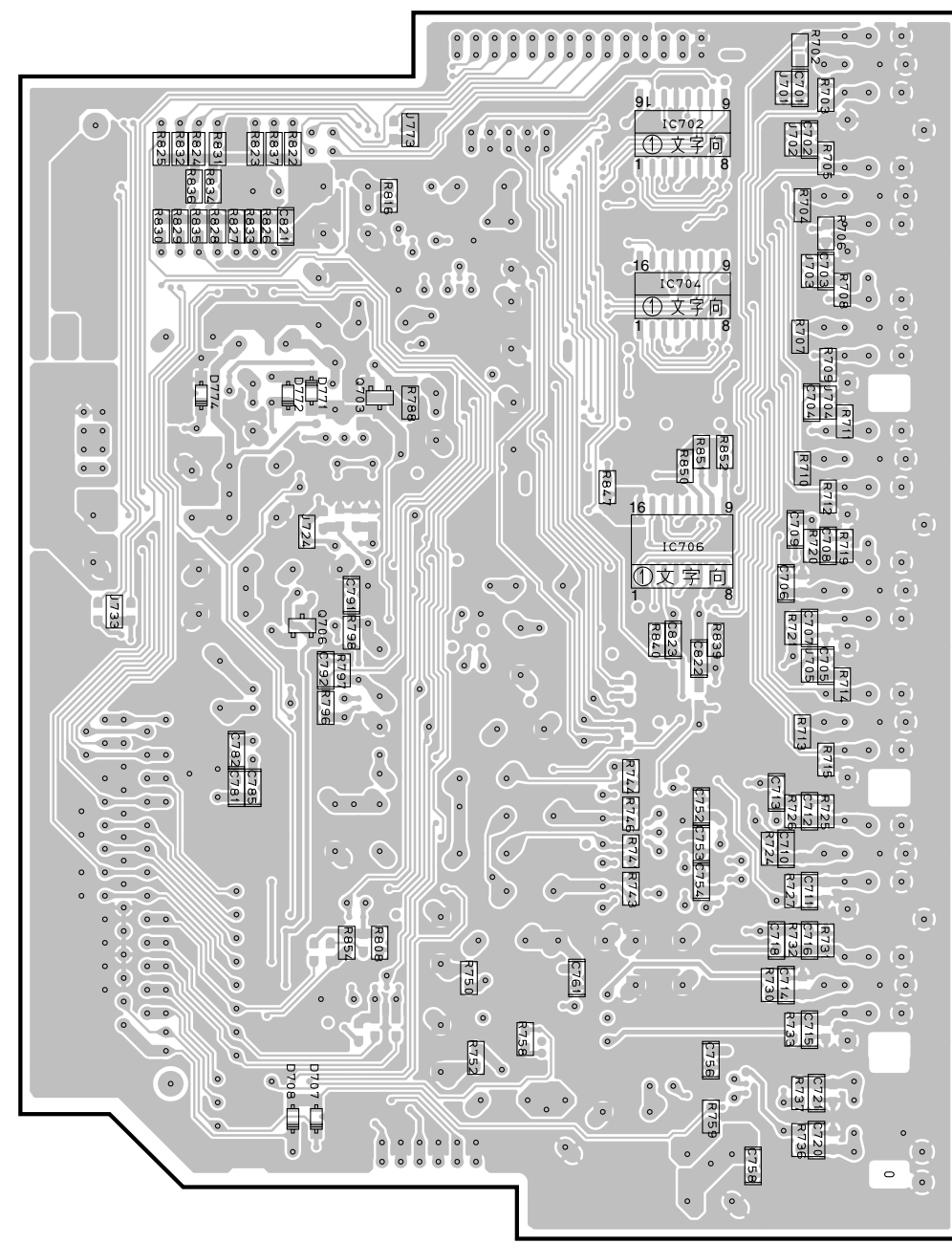
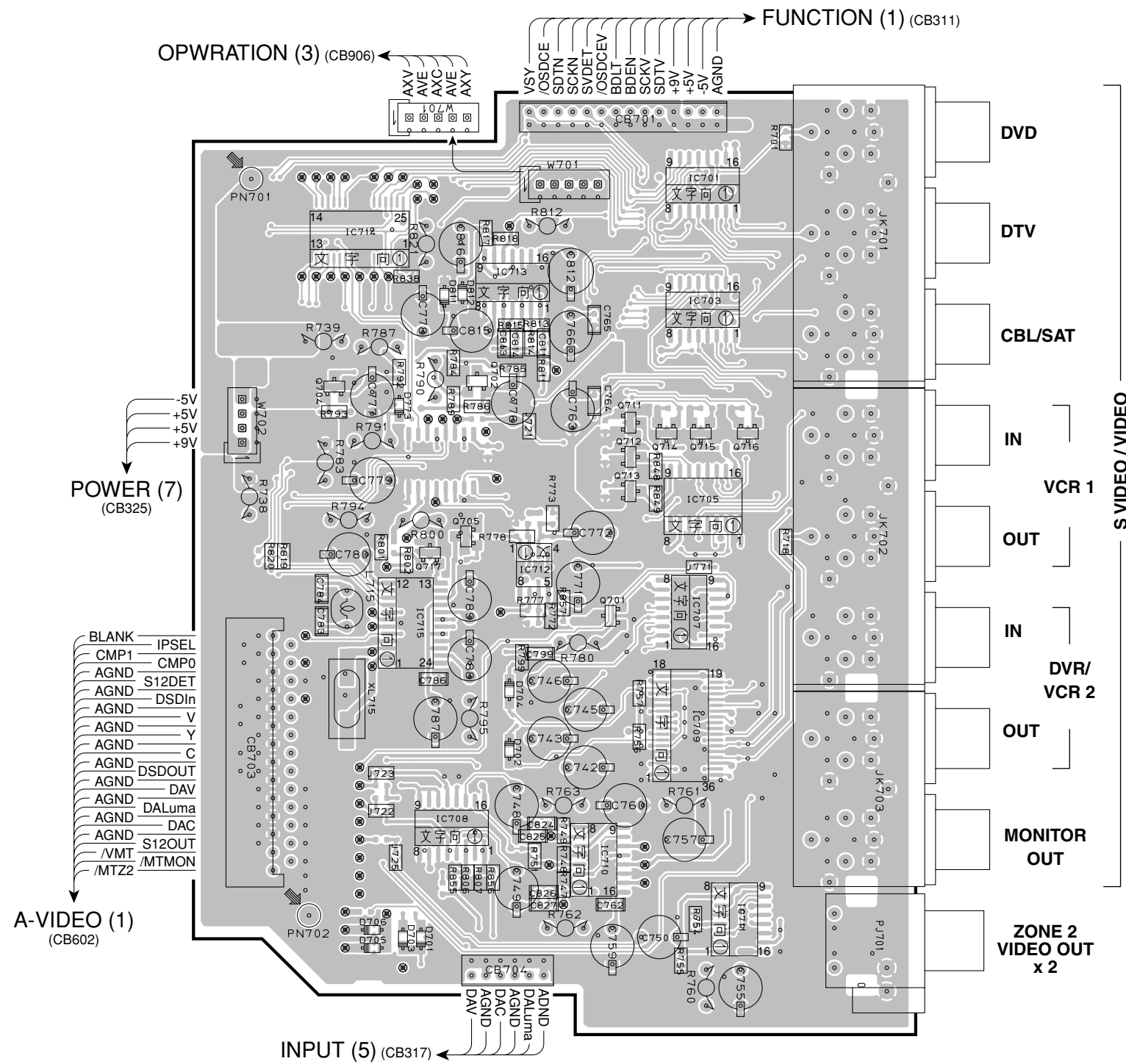
X : NOT USED
O : USED/APPLICABLE

PRINTED CIRCUIT BOARD

Semiconductor Location

A-VIDEO (2) P.C.B. (Side A) Lead Free Solder Used

A-VIDEO (2) P.C.B. (Side B) Lead Free Solder Used



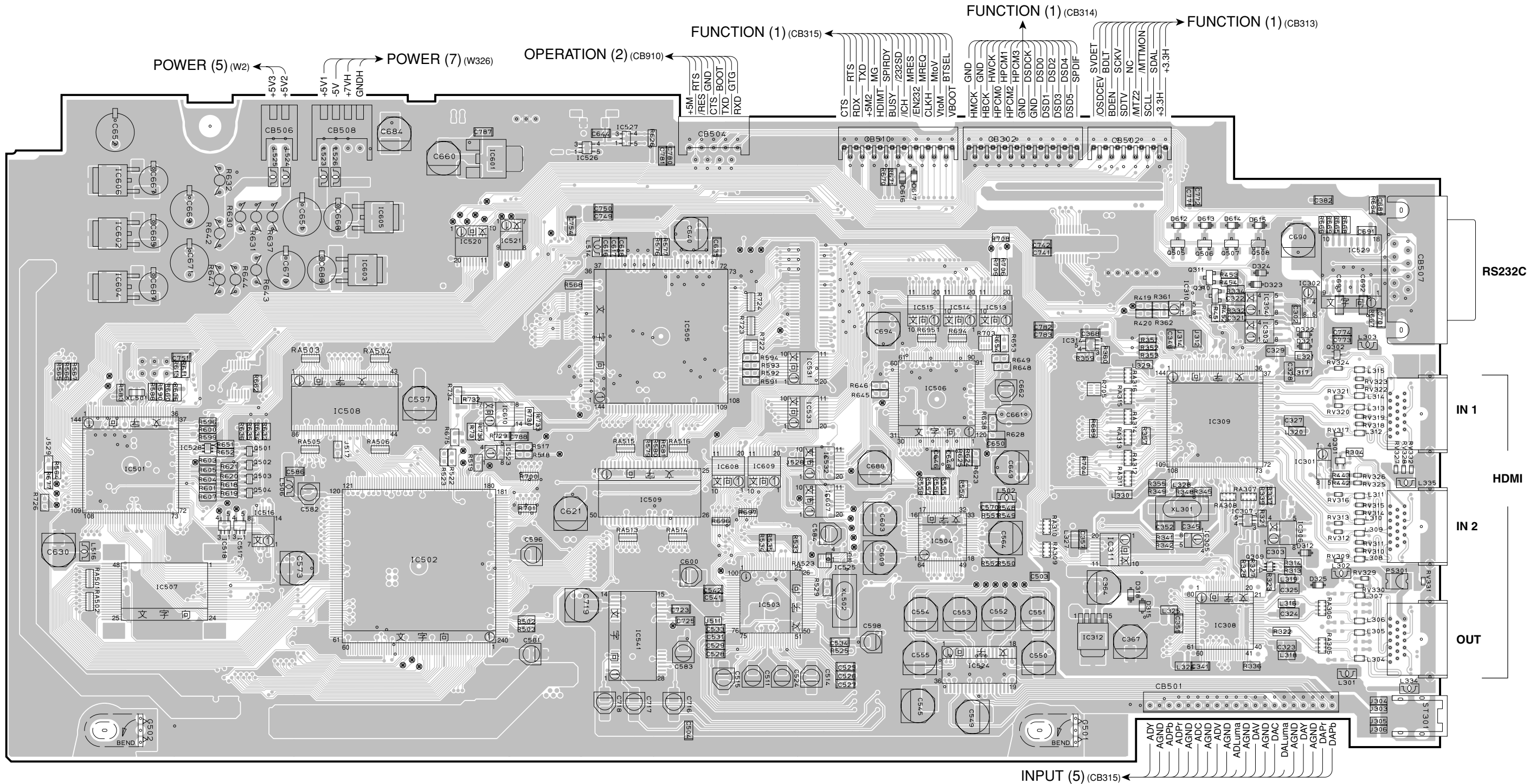
Ref no.	Location
D701	C6
D702	C5
D703	B6
D704	C5
D705	B6
D706	B6
D707	G5
D708	G5
D771	G3
D772	G3
D773	B3
D774	G3
D811	C3
D812	C3
IC701	D2
IC702	I2
IC703	D3
IC704	I3
IC705	D4
IC706	I4
IC707	D4
IC708	C5
IC709	D5
IC710	C5
IC711	D6
IC712	C4
IC713	C3
IC714	B3
IC715	C4
Q701	C4
Q702	C3
Q703	H3
Q704	B3
Q705	C4
Q706	G4
Q711	D3
Q712	D4
Q713	D4
Q714	D4
Q715	D4
Q716	D4
Q717	C4

Circuit No.	U, C, J	R, K	T, A, B, G, L	
C701-705	O	X	X	S1/S2 Detection
C781	O	O	X	NTSC or PAL
C782	O	O	X	
C785	O	O	X	Not S1/S2 Detection
J701-705	X	O	O	

X : NOT USED
O : USED/APPLICABLE

PRINTED CIRCUIT BOARD

D-VIDEO P.C.B. (Side A) Lead Free Solder Used



• Semiconductor Location

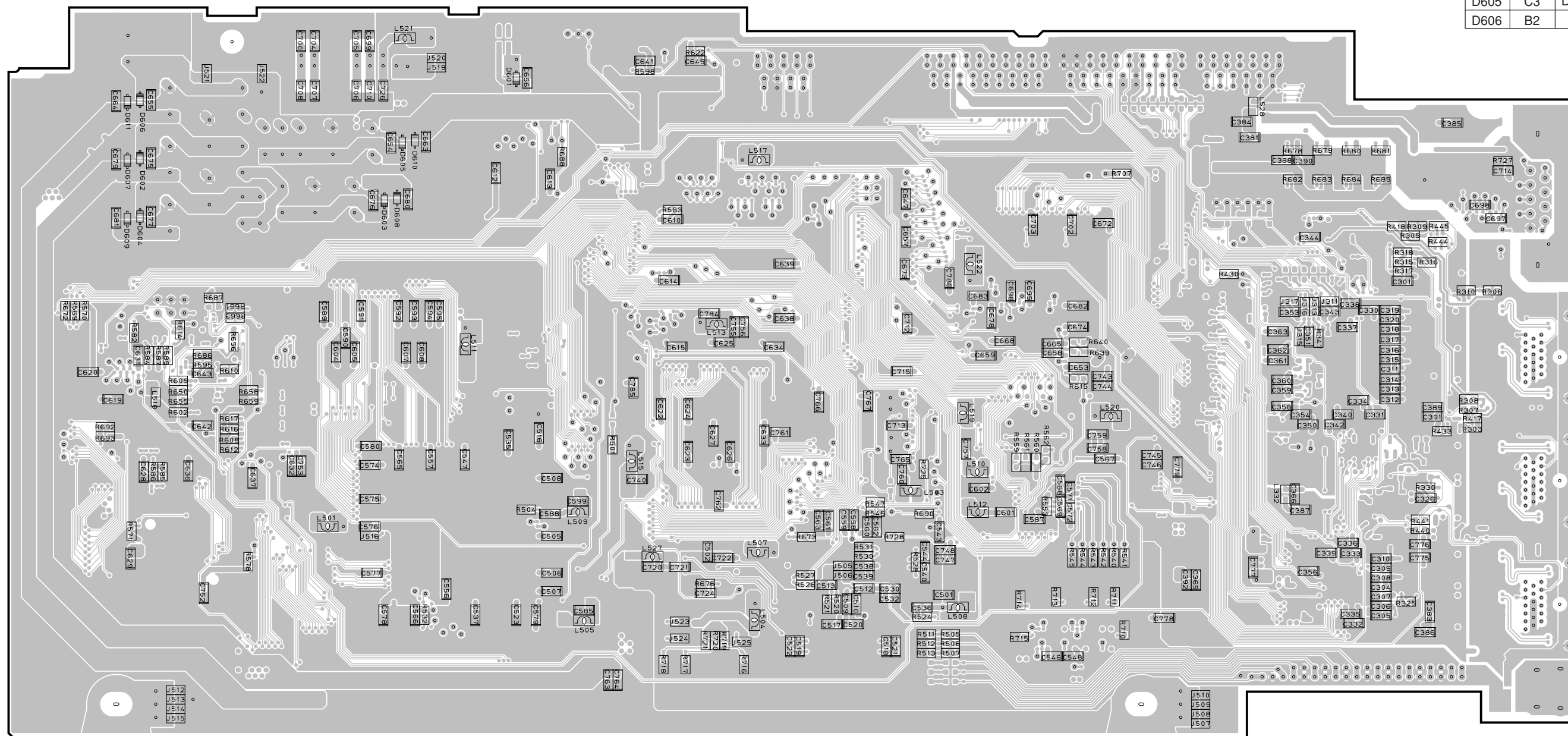
D312	I5	D324	I3	D616	F3	IC305	H5	IC311	H5	IC504	G5	IC513	G4	IC520	D3	IC526	E3	IC533	F4	IC605	C3	Q301	I4	Q502	B5	Q508	I3
D315	H5	D325	I5	D617	G3	IC306	I5	IC312	H6	IC505	E4	IC514	G4	IC521	D3	IC527	E3	IC541	E6	IC606	B3	Q302	I4	Q503	B5		
D318	H5	D612	H3	IC301	I4	IC307	I5	IC314	H4	IC506	G4	IC515	G4	IC522		IC528	B4	IC601	D3	IC607	F5	Q309	I5	Q504	B5		
D321	I4	D613	H3	IC302	I4	IC308	H5	IC501	B5	IC507	B5	IC516	C5	IC523	D4	IC529	I3	IC602	B3	IC608	E5	Q310	H3	Q505	H3		
D322	I4	D614	H3	IC303	I4	IC309	H4	IC502	D5	IC508	C4	IC517	B5	IC524	G6	IC531	F4	IC603	C3	IC609	F5	Q311	H3	Q506	H3		
D323	I3	D615	I3	IC304	I4	IC310	H4	IC503	F5	IC509	E5	IC518	B5	IC525	F5	IC532	F5	IC604	B3	IC610	D4	Q501	B4	Q507	H3		

1 ■ PRINTED CIRCUIT BOARD

D-VIDEO P.C.B. (Side B) Lead Free Solder Used

• Semiconductor Location

Ref no.	Location	Ref no.	Location
D601	D2	D607	B3
D602	B3	D608	C3
D603	C3	D609	B3
D604	B3	D610	C3
D605	C3	D611	B2
D606	B2		



2
3
4
5
6
7

MEMO

A large, empty rectangular box with a double-line border, occupying most of the page below the 'MEMO' header. It is intended for handwritten notes.

MEMO

A large, empty rectangular box with a double-line border, occupying most of the page below the 'MEMO' header. It is intended for handwritten notes.

1
2
3
4
5
6
7
8
9
10

Page 107 [G7] to POWER (5)_W7

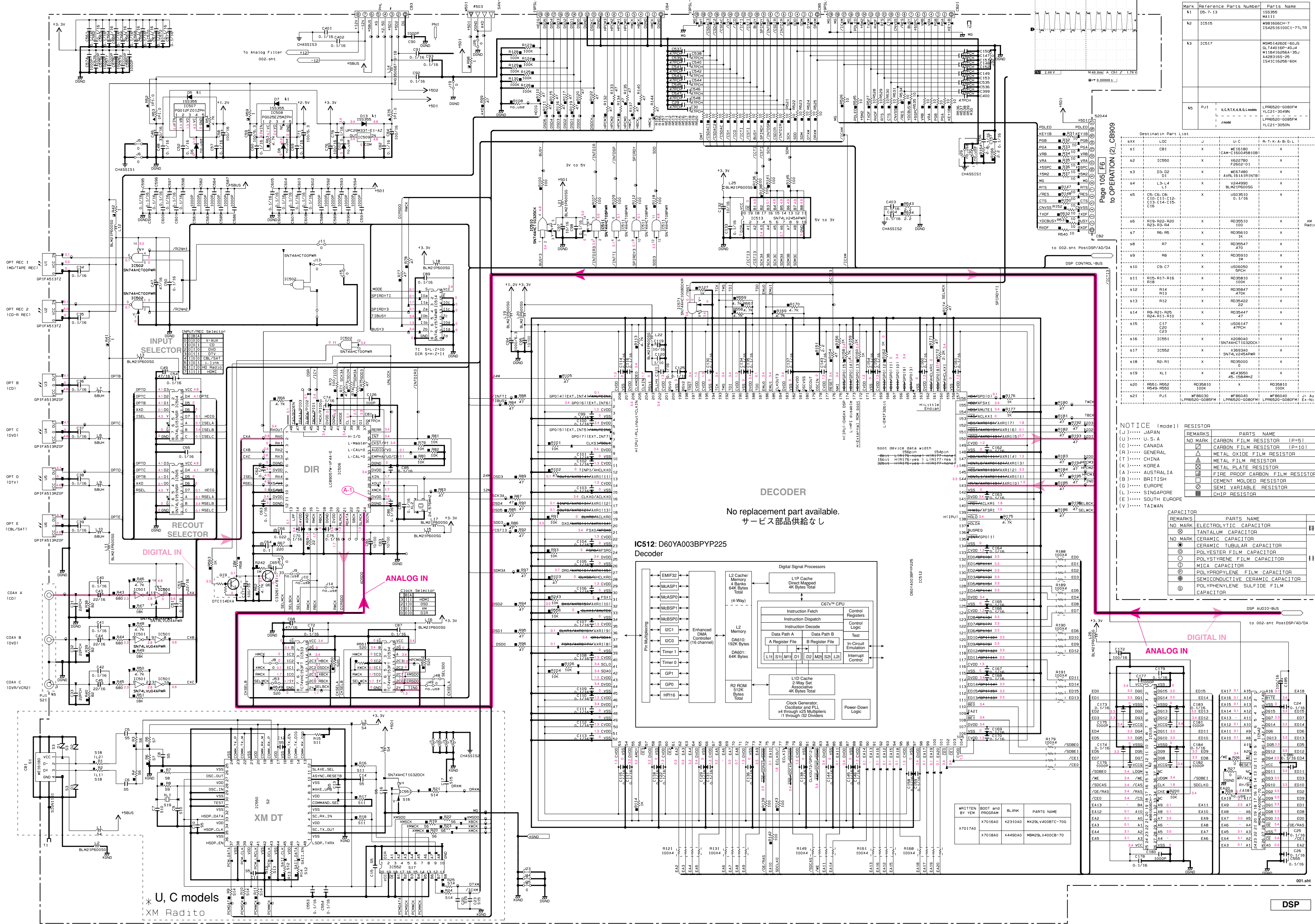
Page 105 [E3] to OPERATION (3)_CB904

Page 103 [J2] to FUNCTION (1)_CB317

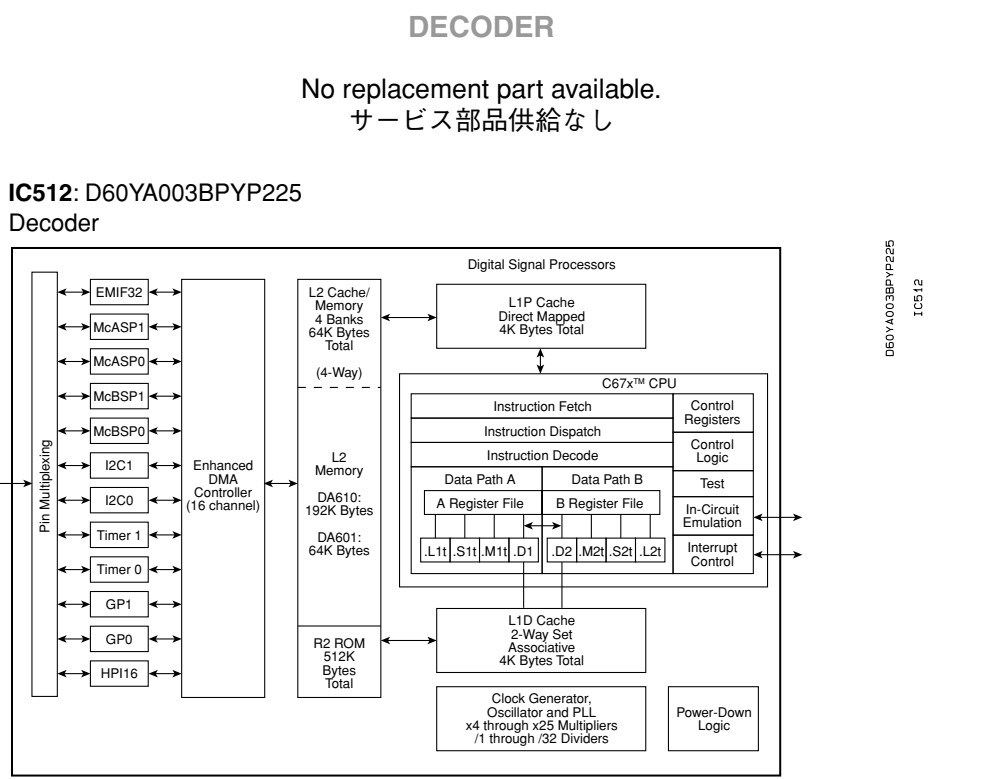
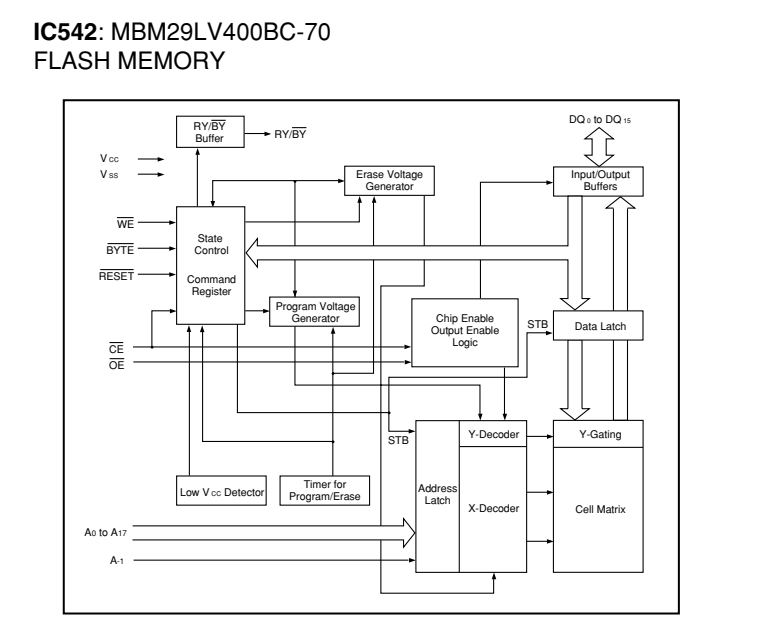
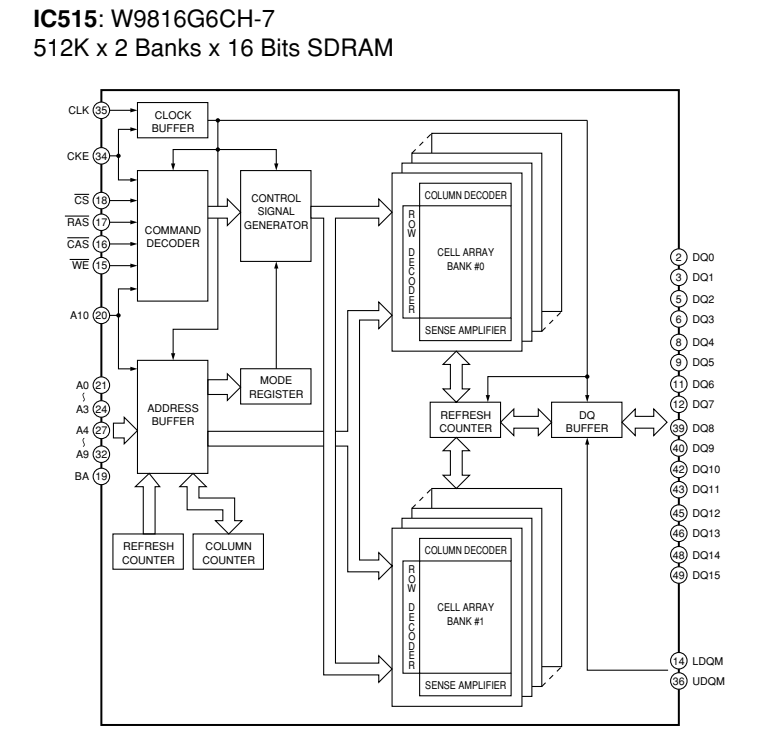
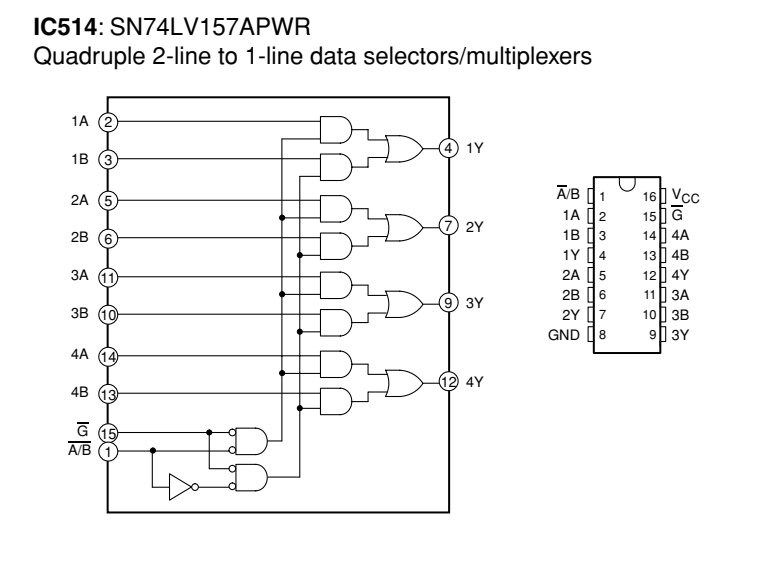
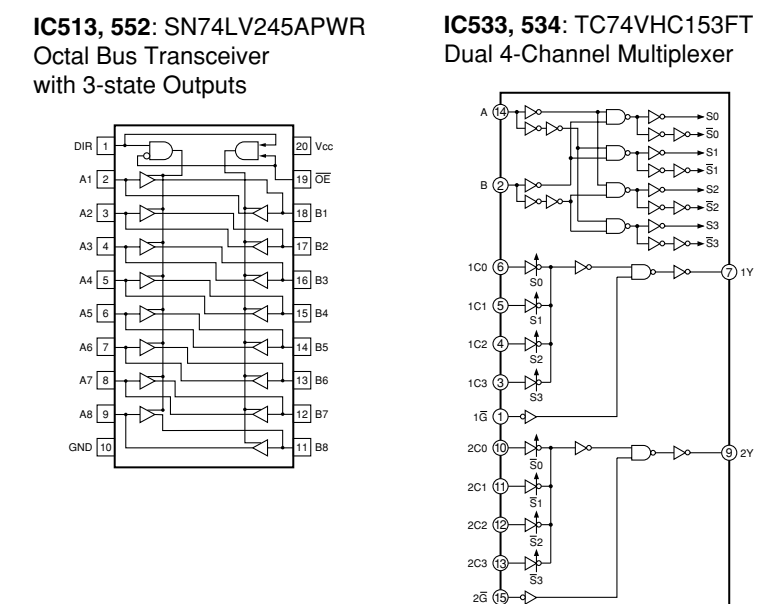
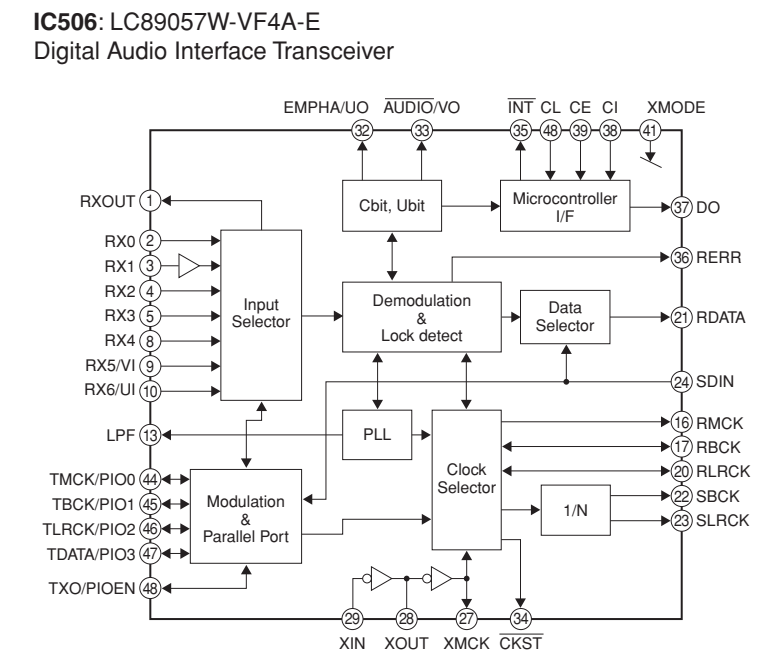
Page 103 [J3] to FUNCTION (1)_CB318

Page 103 [J4] to FUNCTION (1)_CB319

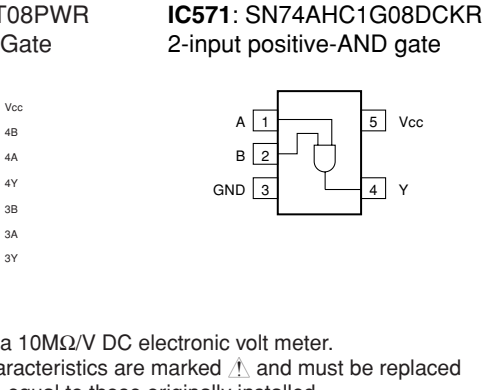
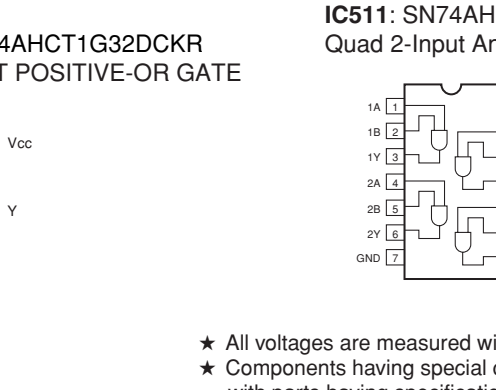
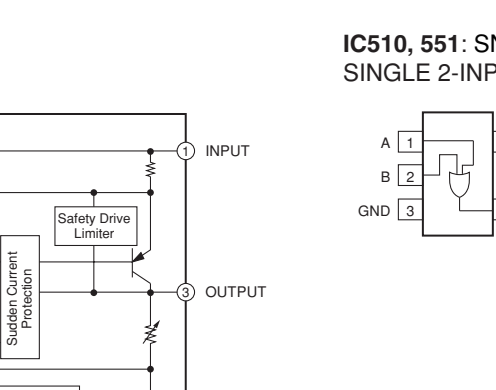
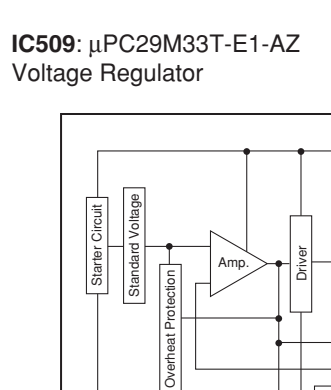
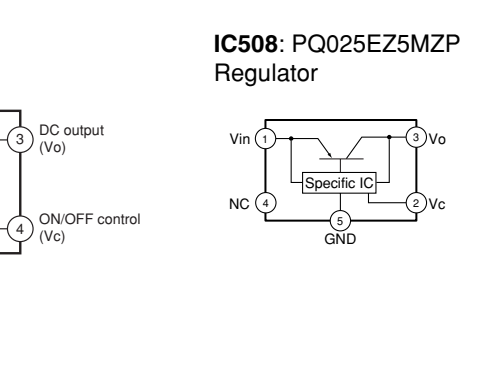
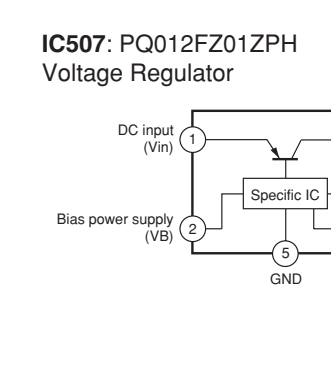
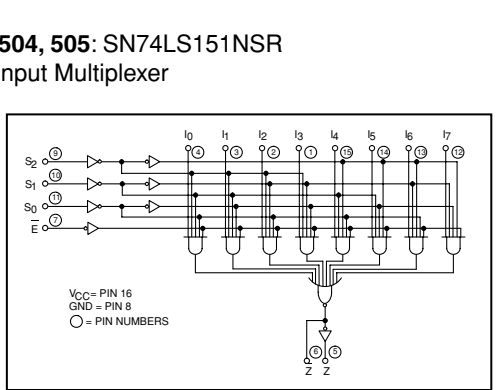
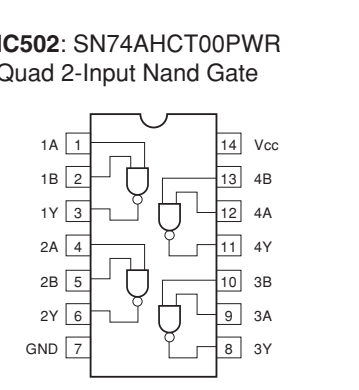
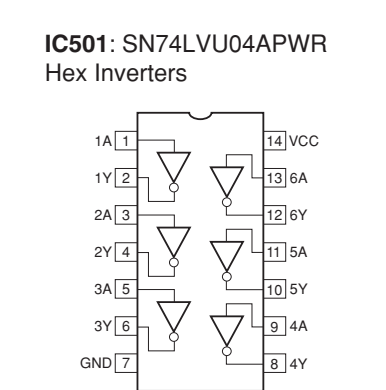
POINT (A) Pin 26 of IC508



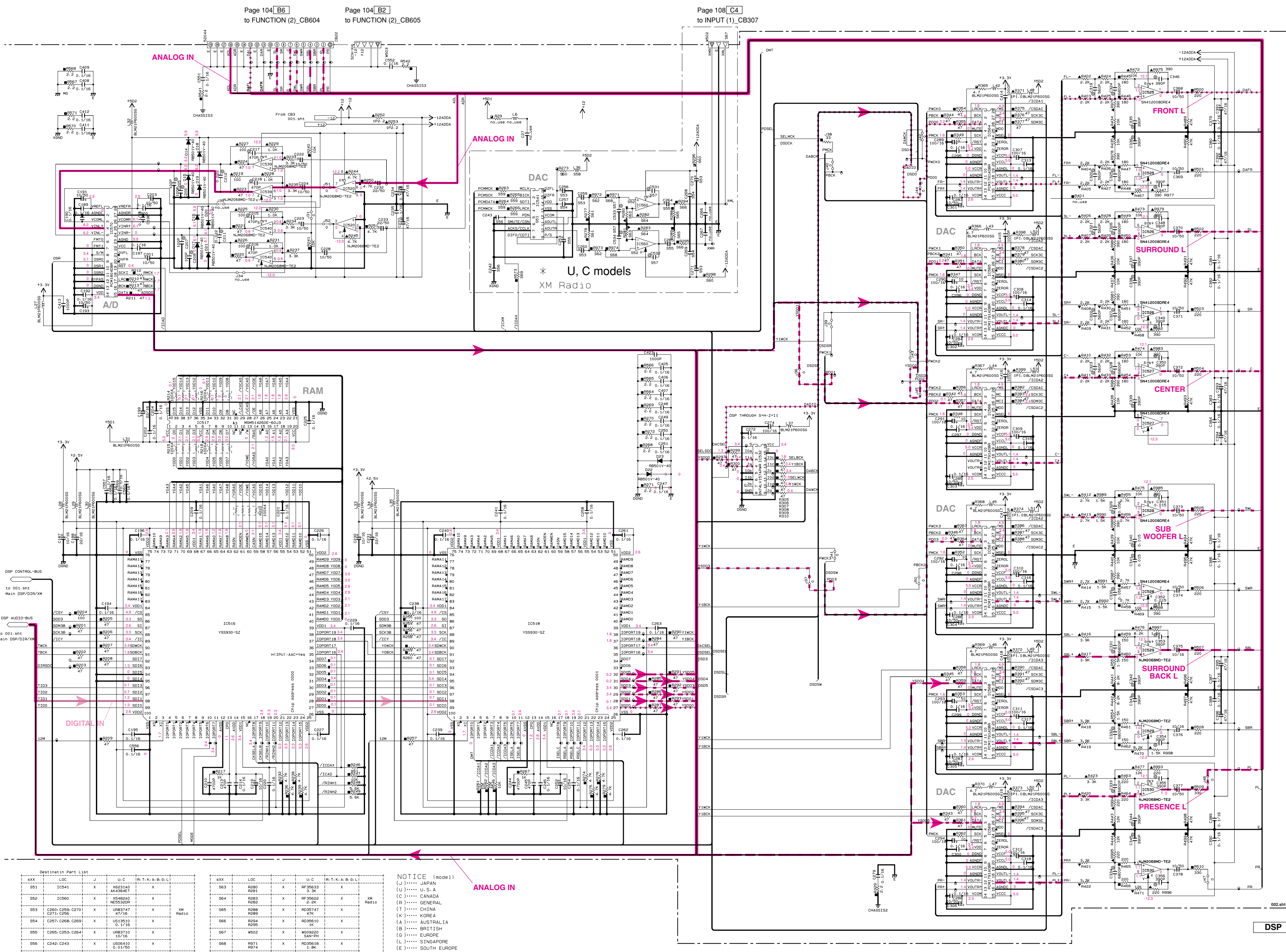
Interchangeable Parts at Manufacture Stage table with columns for Mark, Reference Parts Number, and Parts Name.



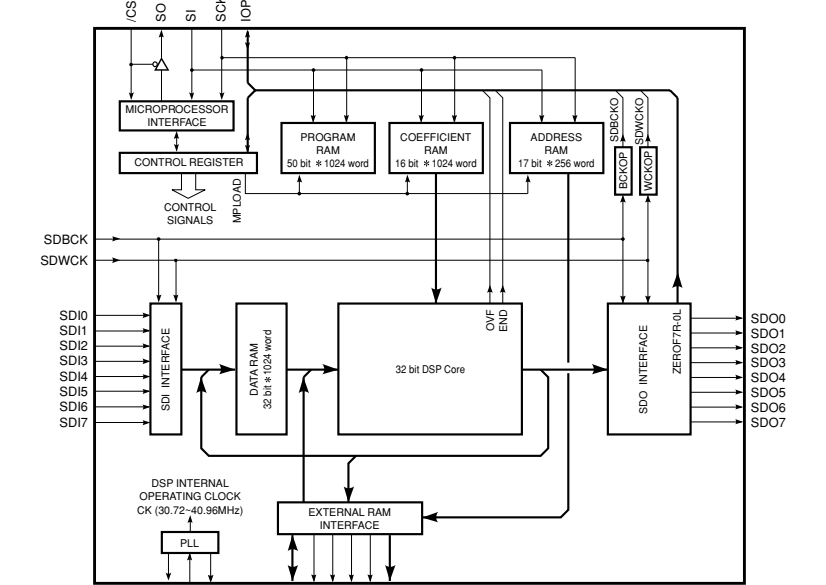
NOTICE (model) table listing resistor and capacitor types and their corresponding part names.



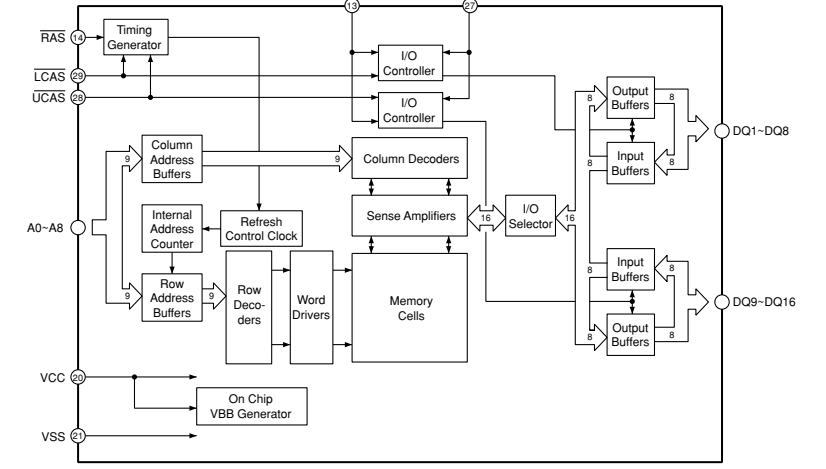
* All voltages are measured with a 10MΩ/V DC electronic volt meter. ● 電圧は、内部抵抗10MΩの電圧計で測定したものです。 * Components having special characteristics are marked !, and must be replaced with parts having specifications equal to those originally installed. ● 1印のある部品は、安全性確保部品を示しています。部品の交換が必要な場合、パーツリストに記載されている部品を使用してください。 * Schematic diagram is subject to change without notice. ● 本回路図は標準回路図です。改良のため予告なく変更することがございます。



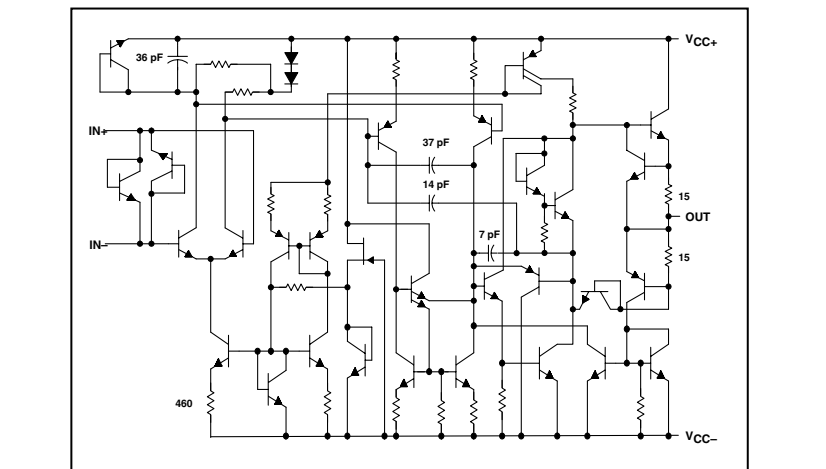
IC516, 518: YSS930-SZ
 DSP



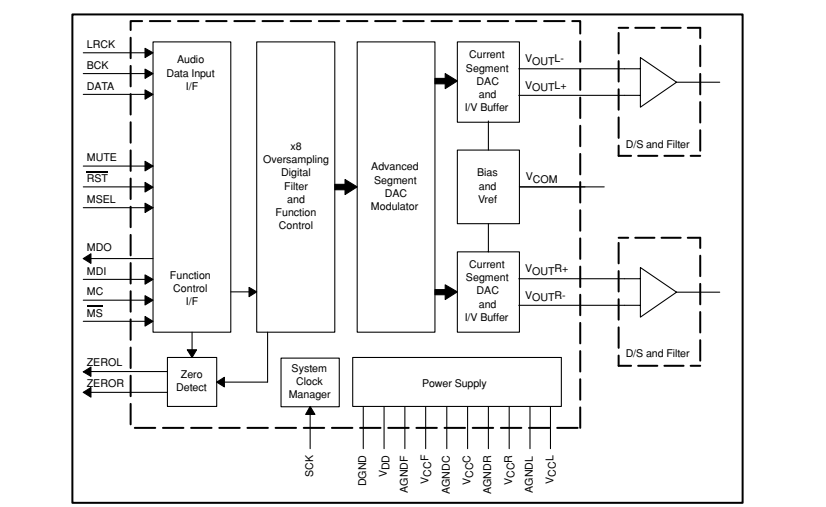
IC517: MSM514260E-60JS
 4Mbit DRAM



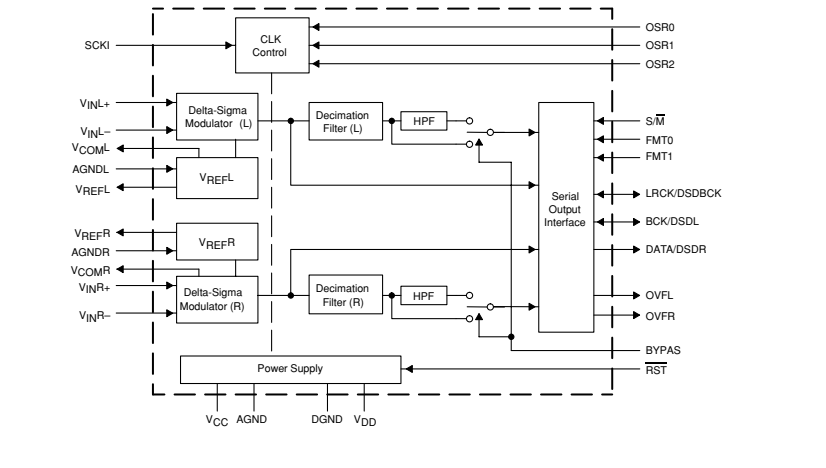
IC560: NE5532DR
 DUAL LOW-NOISE OPERATIONAL AMPLIFIERS



IC564-569: PCM1791ADBR
 Audio stereo digital-to-analog converter



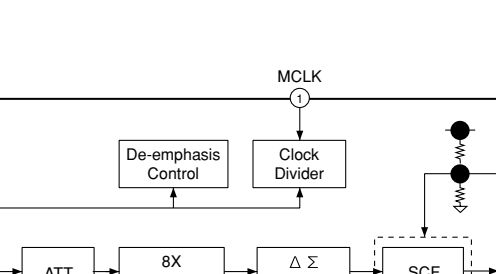
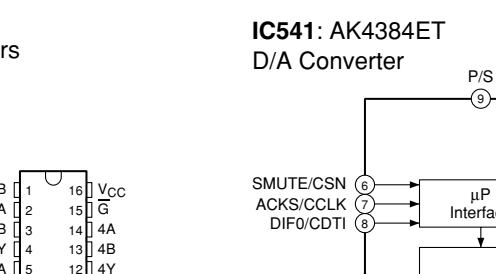
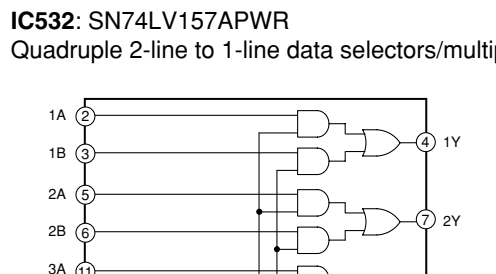
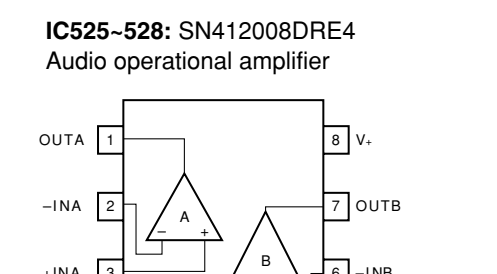
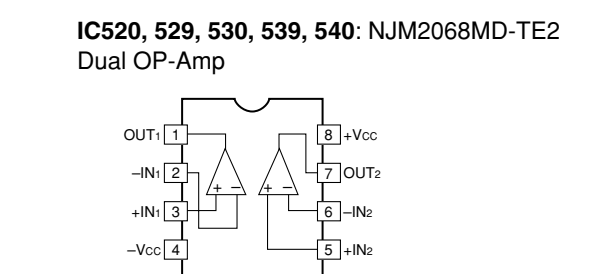
IC570: PCM1804DBR
 Stereo A/D converter



Destination Part List

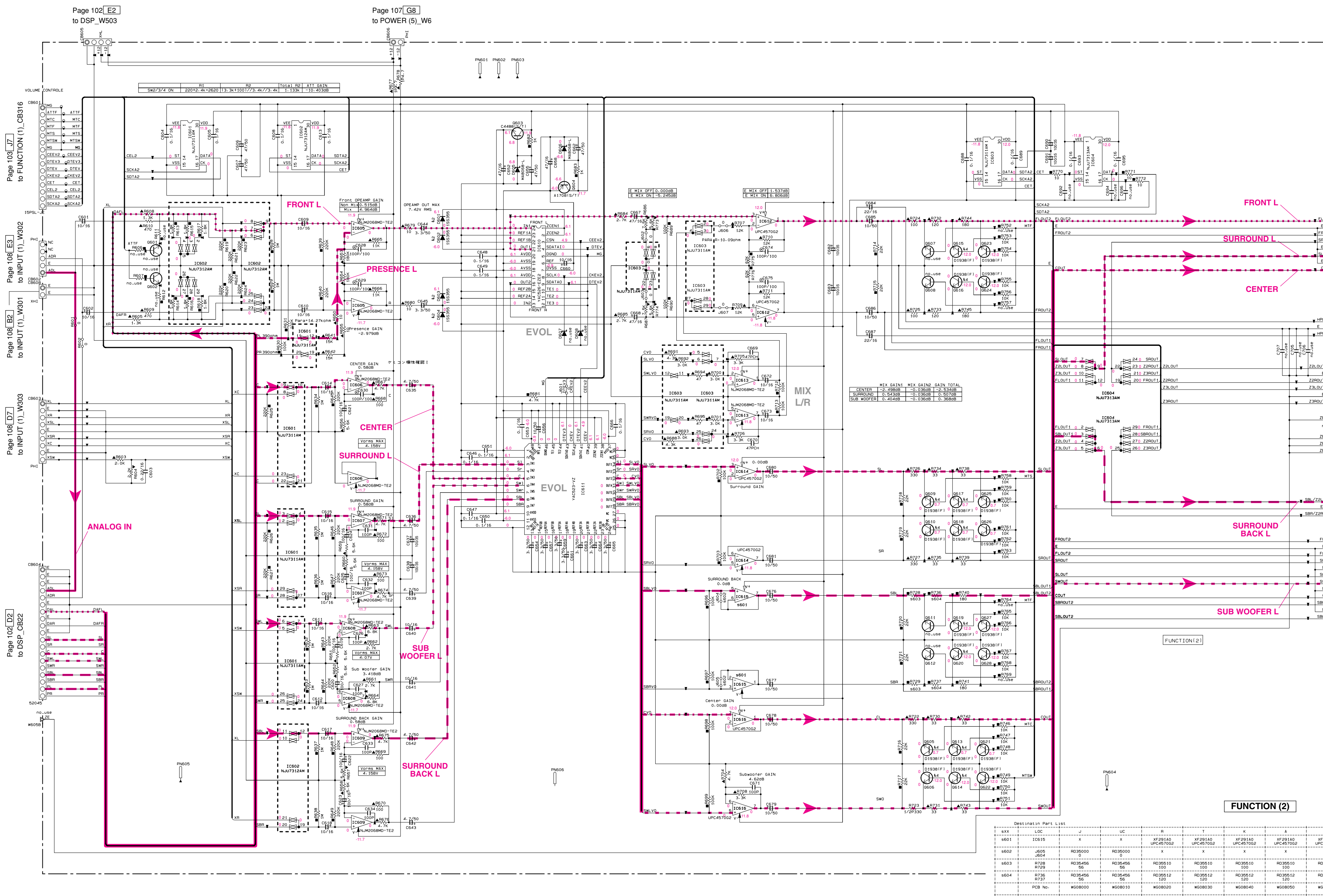
Part No.	LOC	J	U.C.	Alt. T.K.A.B.D.L.
551	IC541	X	R23340	X
552	IC542	X	R44841	X
553	IC543	X	R44842	X
554	IC544	X	R44843	X
555	IC545	X	R44844	X
556	IC546	X	R44845	X
557	IC547	X	R44846	X
558	IC548	X	R44847	X
559	IC549	X	R44848	X
560	IC550	X	R44849	X
561	IC551	X	R44850	X
562	IC552	X	R44851	X
563	IC553	X	R44852	X
564	IC554	X	R44853	X
565	IC555	X	R44854	X
566	IC556	X	R44855	X
567	IC557	X	R44856	X
568	IC558	X	R44857	X
569	IC559	X	R44858	X
570	IC560	X	R44859	X
571	IC561	X	R44860	X
572	IC562	X	R44861	X
573	IC563	X	R44862	X
574	IC564	X	R44863	X
575	IC565	X	R44864	X
576	IC566	X	R44865	X
577	IC567	X	R44866	X
578	IC568	X	R44867	X
579	IC569	X	R44868	X
580	IC570	X	R44869	X

NOTICE (Impoel)
 (U) U.S.A.
 (C) CANADA
 (R) GENERAL
 (T) CHINA
 (K) KOREA
 (A) AUSTRALIA
 (B) BRITISH
 (E) EUROPE
 (L) SINGAPORE
 (S) SOUTH EUROPE
 (V) TAIWAN

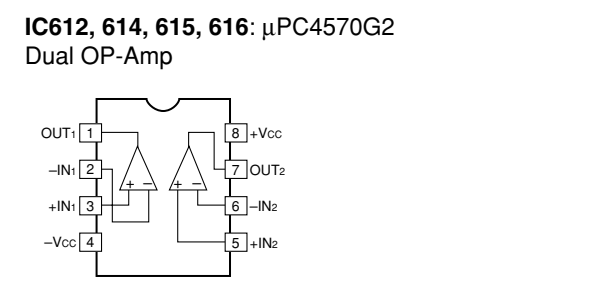
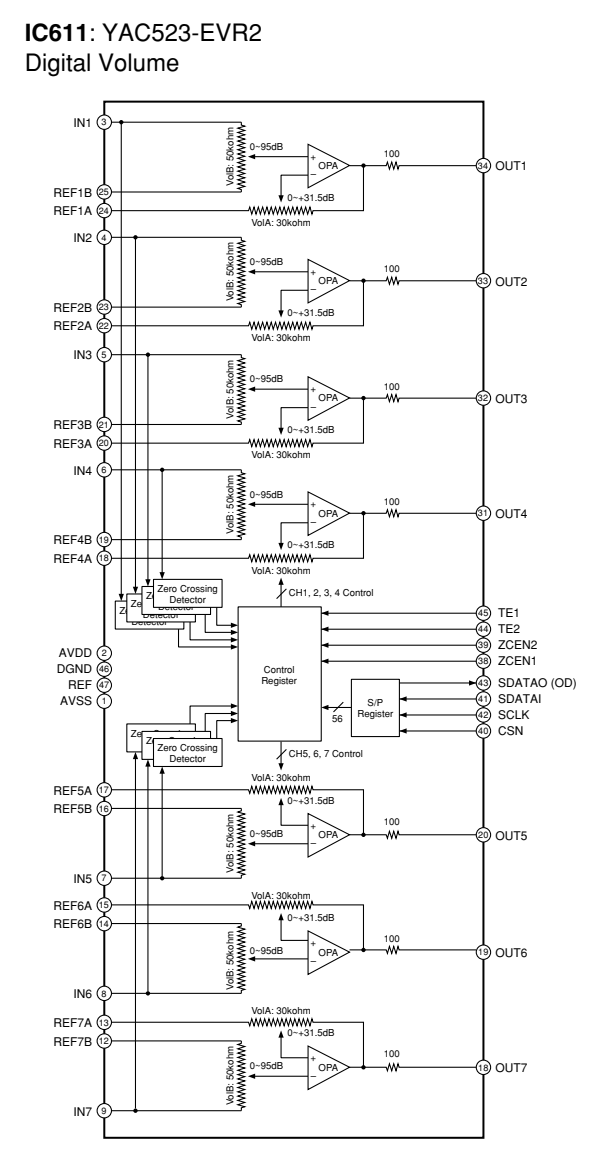


* All voltages are measured with a 10MΩ/V DC electronic volt meter.
 * Components having special characteristics are marked with a star and must be replaced with parts having specifications equal to those originally installed.
 * Schematic diagram is subject to change without notice.

● 電圧は、内部抵抗10MΩの電圧計で測定したものです。
 ● *印のある部品は、安全性確保部品を示しています。部品の交換が必要な場合、パーツリストに記載されている部品を使用してください。
 ● 本回路図は標準回路図です。改良のため予告なく変更することがございます。



Page 102 [E2] to DSP_W503
 Page 107 [G8] to POWER (5)_W6
 Page 103 [J7] to FUNCTION (1)_CB316
 Page 108 [E3] to INPUT (1)_W302
 Page 108 [B2] to INPUT (1)_W301
 Page 108 [D7] to INPUT (1)_W303
 Page 102 [D2] to DSP_CB22
 Page 107 [A4] to POWER (1)_CB40
 Page 105 [F7] to OPERATION (3)_CB905
 Page 108 [E5] to INPUT (2)_W305
 Page 108 [E3] to INPUT (2)_W307
 Page 108 [K7] to INPUT (3)_CB332
 Page 108 [E3] to POWER (4)_CB44
 Page 108 [E3] to INPUT (3)_CB905

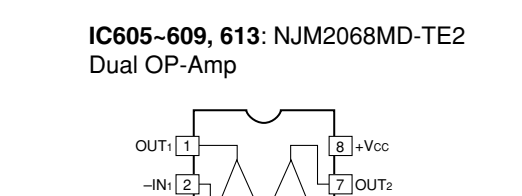
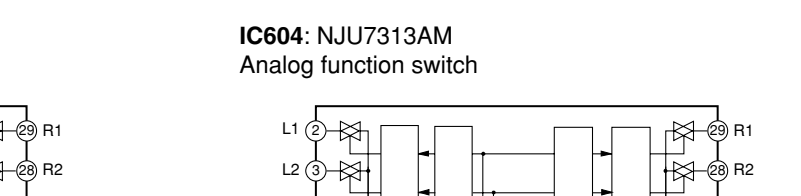
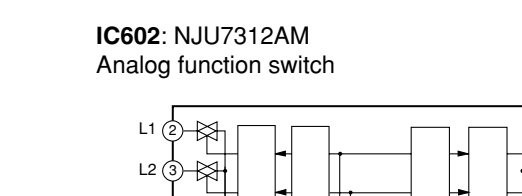
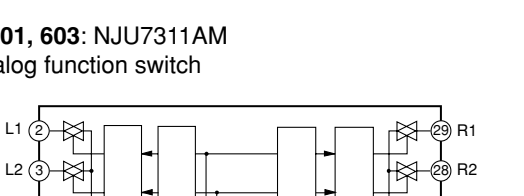
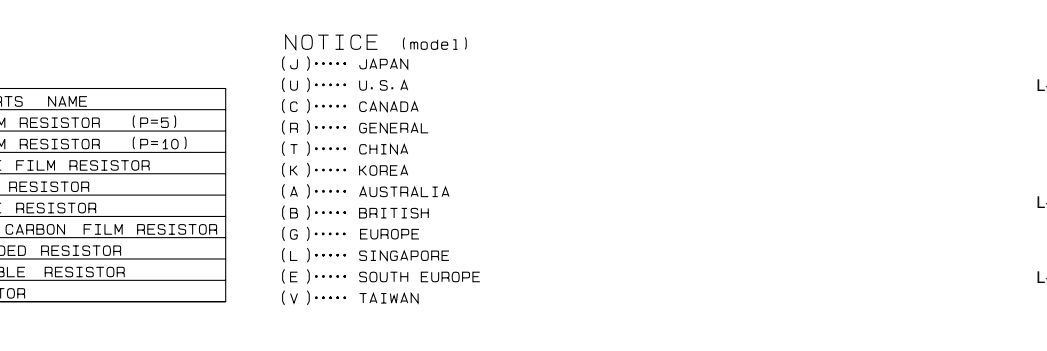


設計値	実測値	設計値	実測値	
FRONT	0.0	12.5	1.5	14.0
CENTER	0.0	14.0	0.0	14.0
SURROUND MIX	0.0	14.0	0.0	14.0
SURROUND BACK	0.0	14.0	0.0	14.0
SUB WOOFER	0.0	0.0	4.0	14.0
ZONE 1 ZONE3	0.0	14.0	0.0	14.0

設計値	実測値	設計値	実測値	
FRONT	0.515	12.5	1.5	14.552
CENTER	0.584	14.0	0.0	14.584
SURROUND MIX	0.584	14.0	0.0	14.584
SURROUND BACK	0.584	14.0	0.0	14.584
SUB WOOFER	3.418	0.0	4.0	14.337
ZONE 1 ZONE3	0.0	14.0	0.0	14.000

設計値	実測値	設計値	実測値
P MIX FRONT	4.5		
P MIX PRESENCE	3.5		
P MIX CENTER	3.0		
P MIX SURROUND	3.0		
P MIX SUB WOOFER	0.0		
P MIX SURROUND BACK	0.0		

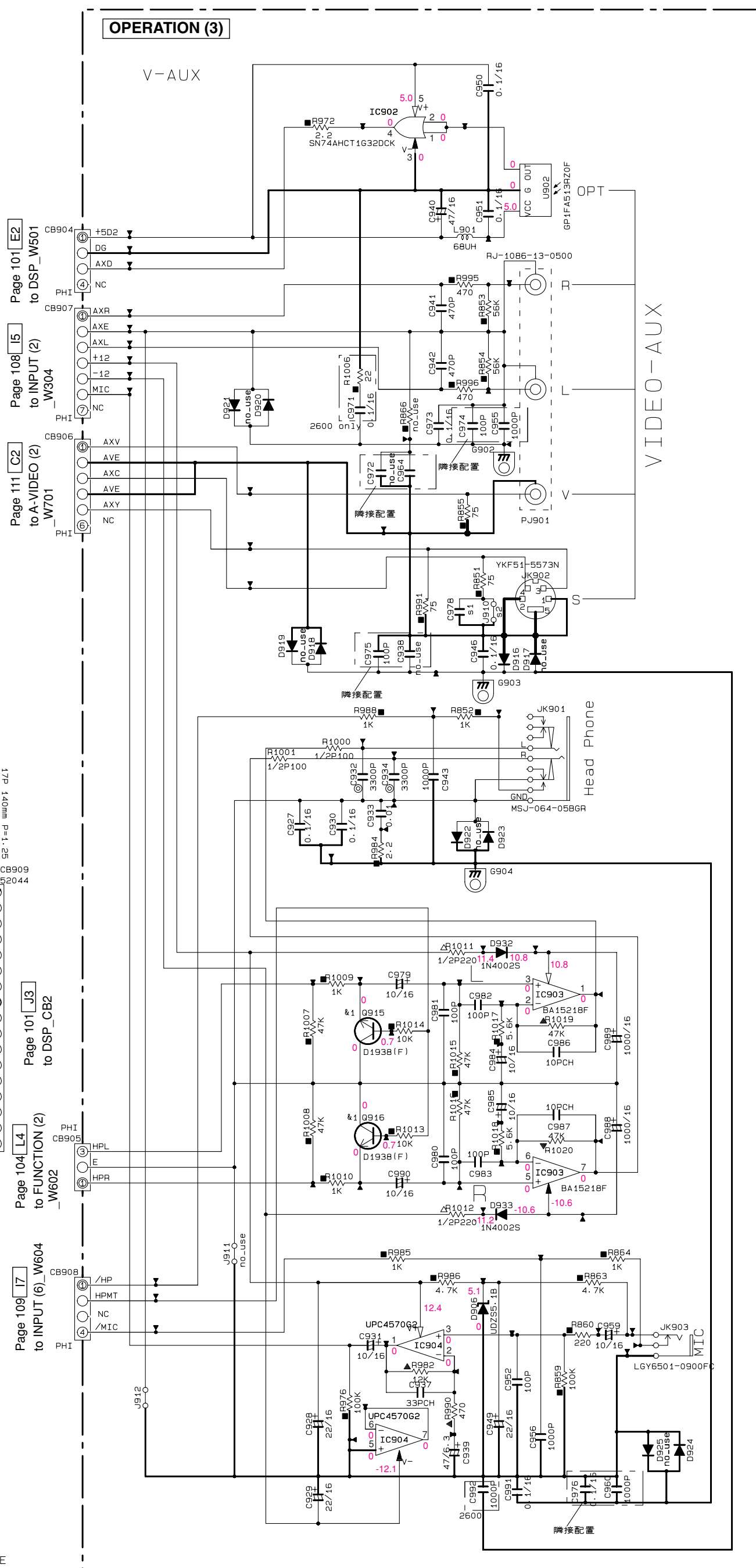
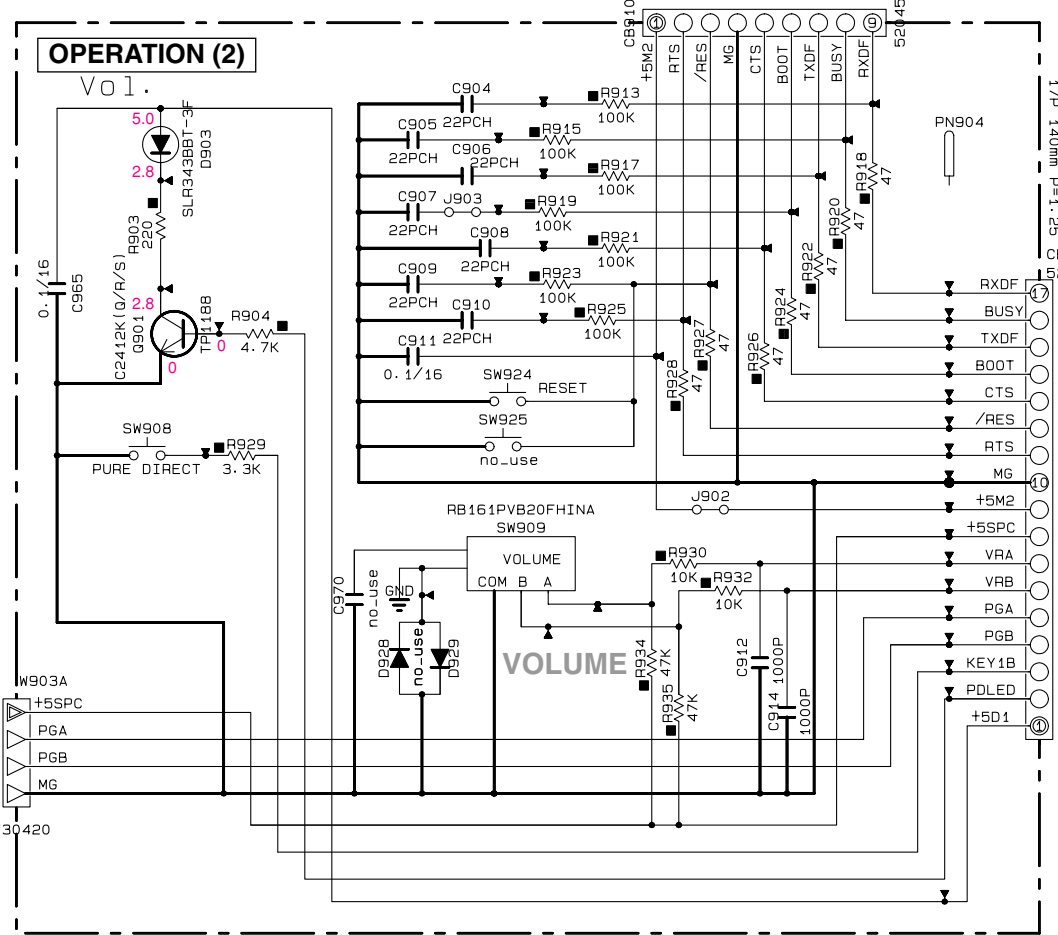
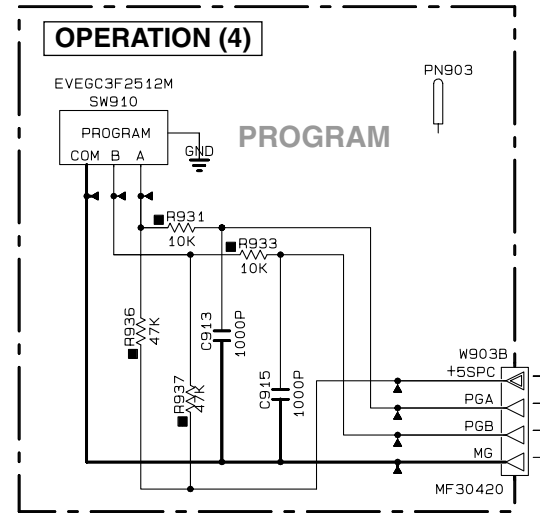
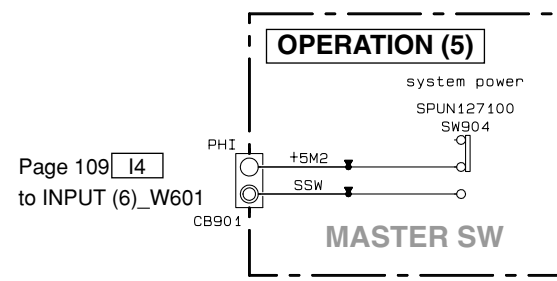
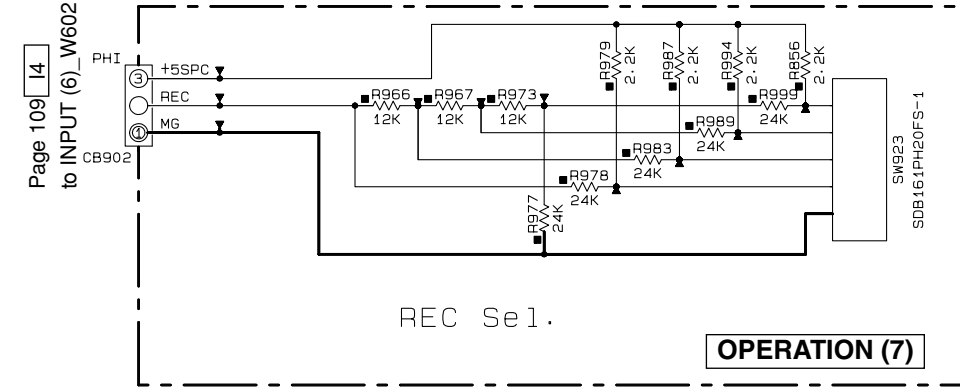
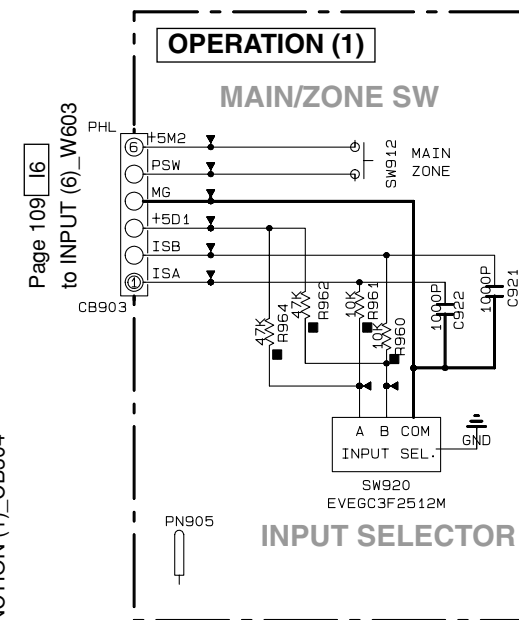
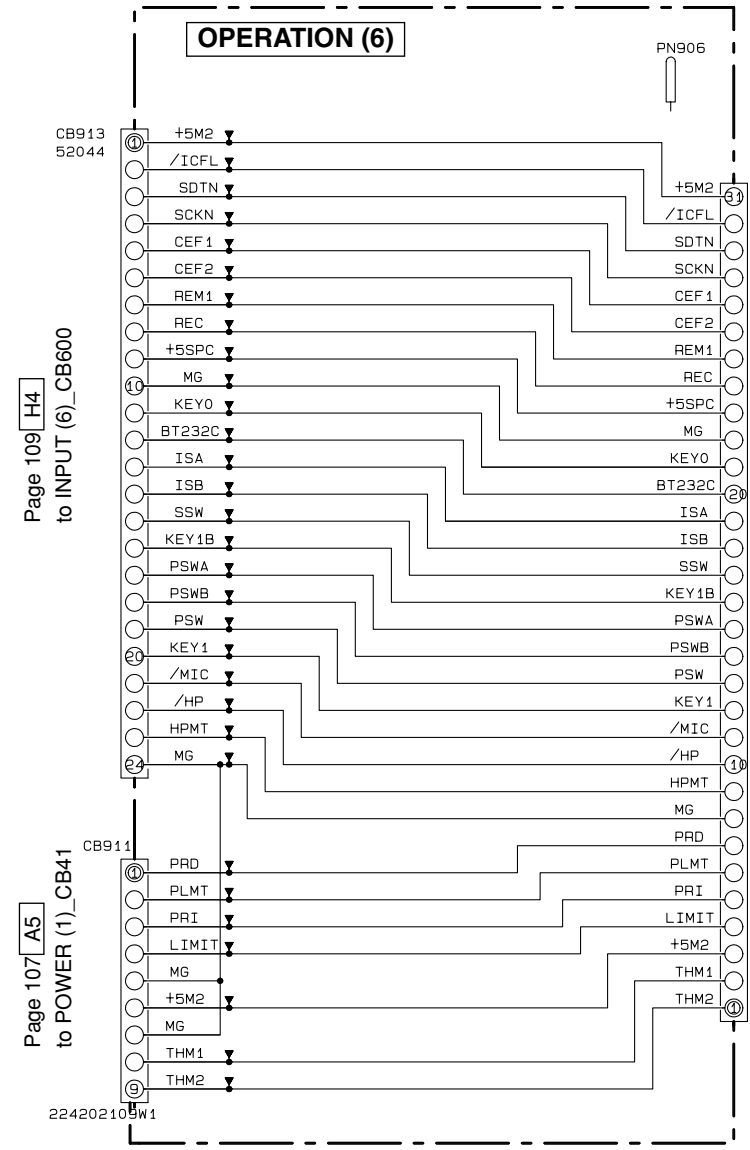
設計値	実測値	設計値	実測値
P MIX FRONT	4.5		
P MIX PRESENCE	3.5		
P MIX CENTER	3.0		
P MIX SURROUND	3.0		
P MIX SUB WOOFER	0.0		
P MIX SURROUND BACK	0.0		



★ All voltages are measured with a 10MΩ/V DC electronic volt meter.
 ★ Components having special characteristics are marked * and must be replaced with parts having specifications equal to those originally installed.
 ★ Schematic diagram is subject to change without notice.

● 電圧は、内部抵抗10MΩの電圧計で測定したものです。
 ● *印のある部品は、安全性確保部品を示しています。部品の交換が必要な場合、パーツリストに記載されている部品を使用してください。
 ● 本回路図は標準回路図です。改良のため予告なく変更することがございます。

SCHEMATIC DIAGRAM (OPERATION)



Interchangeable Parts at Manufacture-Stage

Mark	Reference Parts Number	Parts Name
81	0915-916	28C338E(A/B) 28C5938A(A/B) 28C670-4K

Destination Part List

sxx	LOC	JUC	RTKL:ABG
s1	C978	U519510	X
s2	J910	X	RD96000

NOTICE (model)

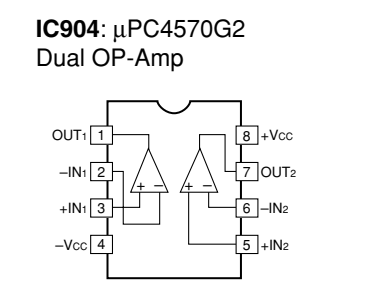
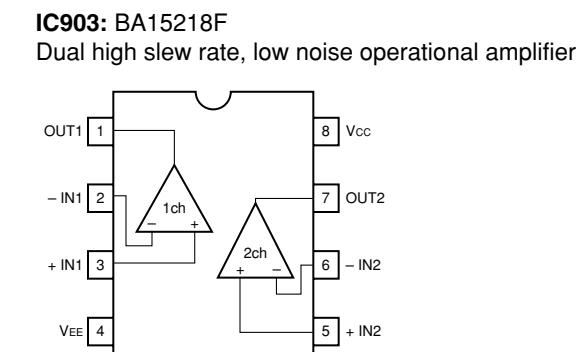
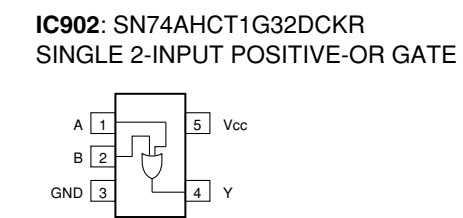
(J)..... JAPAN
(U)..... U. S. A
(C)..... CANADA
(R)..... GENERAL
(T)..... CHINA
(K)..... KOREA
(A)..... AUSTRALIA
(B)..... BRITISH
(G)..... EUROPE
(L)..... SINGAPORE
(E)..... SOUTH EUROPE
(V)..... TAIWAN

RESISTOR

REMARKS	PARTS NAME
NO MARK	CARBON FILM RESISTOR (P=5)
□	CARBON FILM RESISTOR (P=10)
△	METAL OXIDE FILM RESISTOR
▲	METAL FILM RESISTOR
⊠	METAL PLATE RESISTOR
⊞	FIRE PROOF CARBON FILM RESISTOR
□	CEMENT MOLDED RESISTOR
⊞	SEMI VARIABLE RESISTOR
■	CHIP RESISTOR

CAPACITOR

REMARKS	PARTS NAME
NO MARK	ELECTROLYTIC CAPACITOR
⊗	TANTALUM CAPACITOR
NO MARK	CERAMIC CAPACITOR
●	CERAMIC TUBULAR CAPACITOR
⊙	POLYESTER FILM CAPACITOR
○	POLYSTYRENE FILM CAPACITOR
⊖	MICA CAPACITOR
⊕	POLYPROPYLENE FILM CAPACITOR
⊗	SEMICONDUCTIVE CERAMIC CAPACITOR



* All voltages are measured with a 10MΩ/V DC electronic volt meter.
* Components having special characteristics are marked ♯, and must be replaced with parts having specifications equal to those originally installed.
* Schematic diagram is subject to change without notice.

● 電圧は、内部抵抗10MΩの電圧計で測定したものです。
● ♯印のある部品は、安全性確保部品を示しています。部品の交換が必要な場合、パーツリストに記載されている部品を使用してください。
● 本回路図は標準回路図です。改良のため予告なく変更することがございます。

SCHEMATIC DIAGRAM (MAIN)

Page 107 [D3] to POWER (1)_W40

Page 107 [D3] to POWER (1)_W41

Page 107 [G3] to POWER (4)_CB47

Page 107 [G3] to POWER (4)_CB48

Page 107 [D6] to POWER (1)_CB43

Page 107 [D5] to POWER (1)_CB42

Page 107 [G2] to POWER (4)_CB46

Page 107 [H7] to POWER (2)_CB21

CAPACITOR		RESISTOR	
REMARKS	PARTS NAME	REMARKS	PARTS NAME
NO MARK	ELECTROLYTIC CAPACITOR	NO MARK	CARBON FILM RESISTOR (P=5)
○	FANTAILUM CAPACITOR	○	CARBON FILM RESISTOR (P=10)
○	NO MARK CERAMIC CAPACITOR	△	METAL OXIDE FILM RESISTOR
●	CERAMIC TUBULAR CAPACITOR	△	METAL FILM RESISTOR
○	POLYESTER FILM CAPACITOR	△	METAL PLATE RESISTOR
○	POLYSTYRENE FILM CAPACITOR	△	THICK FILM CARBON FILM RESISTOR
○	MICA CAPACITOR	□	CEMENT MOUNTED RESISTOR
○	POLYPROPYLENE FILM CAPACITOR	□	SEMI-VARIABLE RESISTOR
●	SEMICONDUCTIVE CERAMIC CAPACITOR	■	OHM RESISTOR

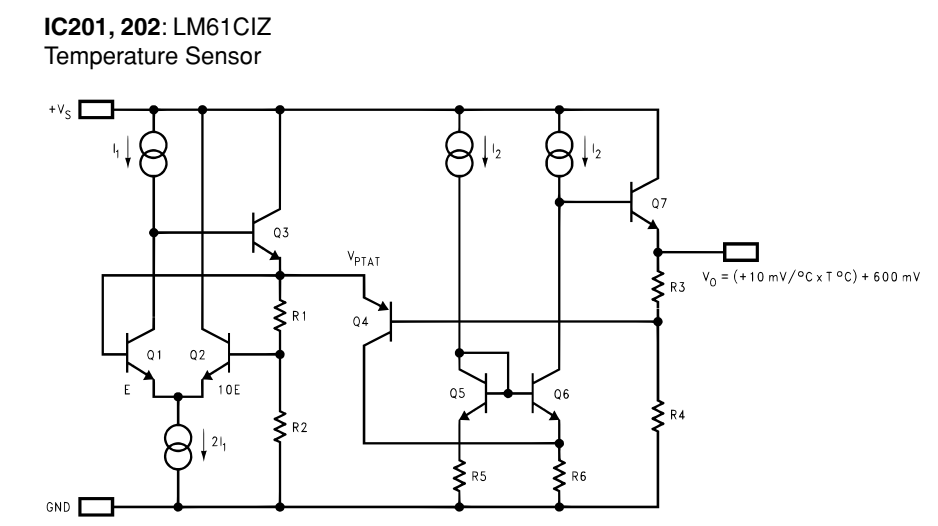
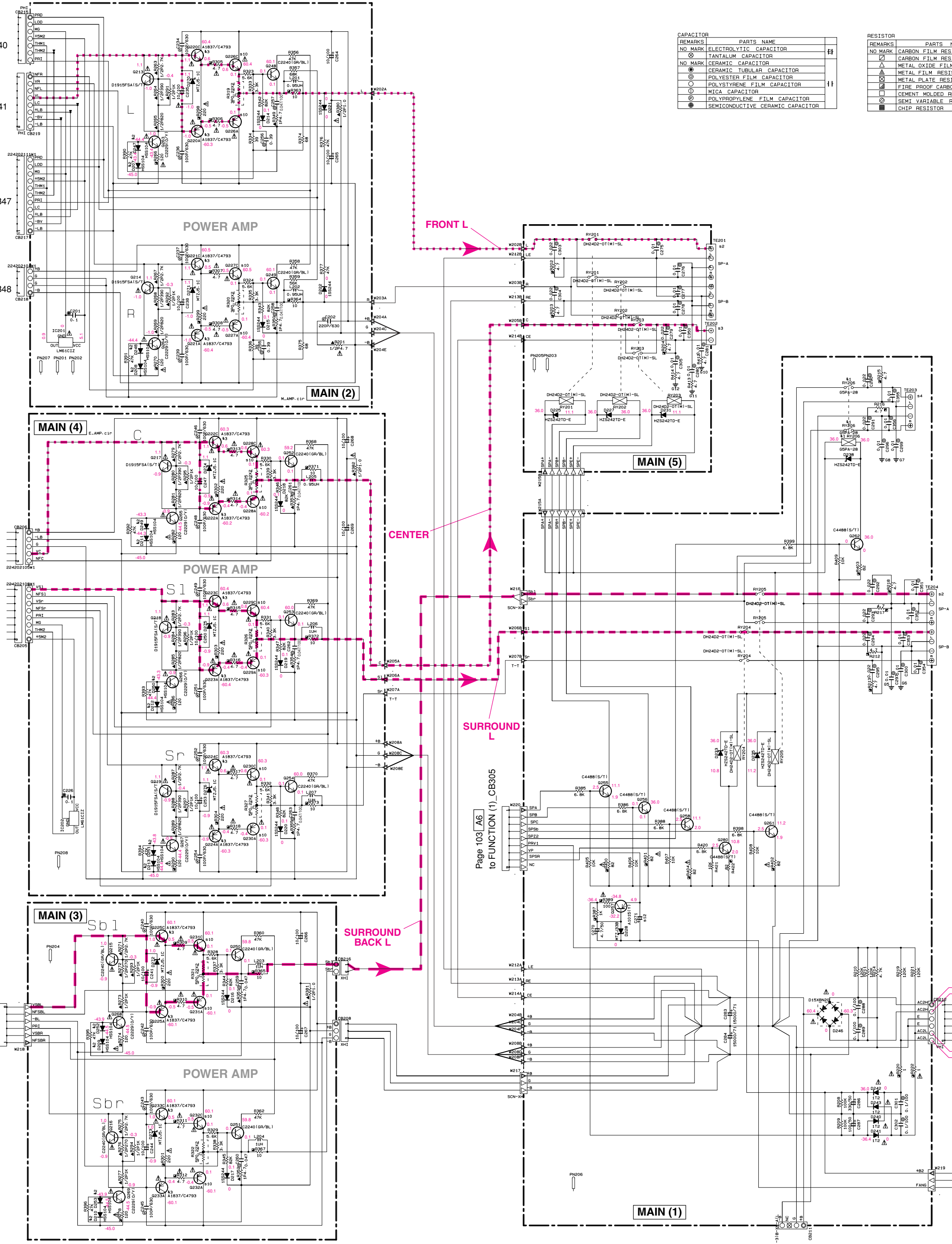
NOTICE (Incode1)
 (J)..... JAPAN
 (U)..... U.S.A
 (C)..... CANADA
 (R)..... GENERAL
 (T)..... CHINA
 (K)..... KOREA
 (A)..... AUSTRALIA
 (B)..... BRITISH
 (G)..... EUROPE
 (L)..... SINGAPORE
 (E)..... SOUTH EUROPE
 (V)..... TAIWAN

Designation Part List

NO.	LOC.	J	UC	RTA	VRG.
82	TE04	MS4770	MS4770	MS4770	MS4770
83	TE04	LT5000-010PM	LT5000-010PM	LT5000-010PM	LT5000-010PM
84	TE03	MS2000	MS2000	MS2000	MS2000
85	TE03	LT5000-010PM	LT5000-010PM	LT5000-010PM	LT5000-010PM
86	TE03	MS2000	MS2000	MS2000	MS2000
87	TE03	LT5000-010PM	LT5000-010PM	LT5000-010PM	LT5000-010PM
88	TE03	MS2000	MS2000	MS2000	MS2000
89	TE03	LT5000-010PM	LT5000-010PM	LT5000-010PM	LT5000-010PM
90	TE03	MS2000	MS2000	MS2000	MS2000
91	TE03	LT5000-010PM	LT5000-010PM	LT5000-010PM	LT5000-010PM
92	TE03	MS2000	MS2000	MS2000	MS2000
93	TE03	LT5000-010PM	LT5000-010PM	LT5000-010PM	LT5000-010PM
94	TE03	MS2000	MS2000	MS2000	MS2000
95	TE03	LT5000-010PM	LT5000-010PM	LT5000-010PM	LT5000-010PM
96	TE03	MS2000	MS2000	MS2000	MS2000
97	TE03	LT5000-010PM	LT5000-010PM	LT5000-010PM	LT5000-010PM
98	TE03	MS2000	MS2000	MS2000	MS2000
99	TE03	LT5000-010PM	LT5000-010PM	LT5000-010PM	LT5000-010PM
100	TE03	MS2000	MS2000	MS2000	MS2000

Interchangeable Parts at Manufacture Stage

Part No.	Reference Parts Number	Parts Name
81	MS2000	MS2000
82	MS2000-010-003	MS2000-010-003
83	MS2000-010-003/C	MS2000-010-003/C

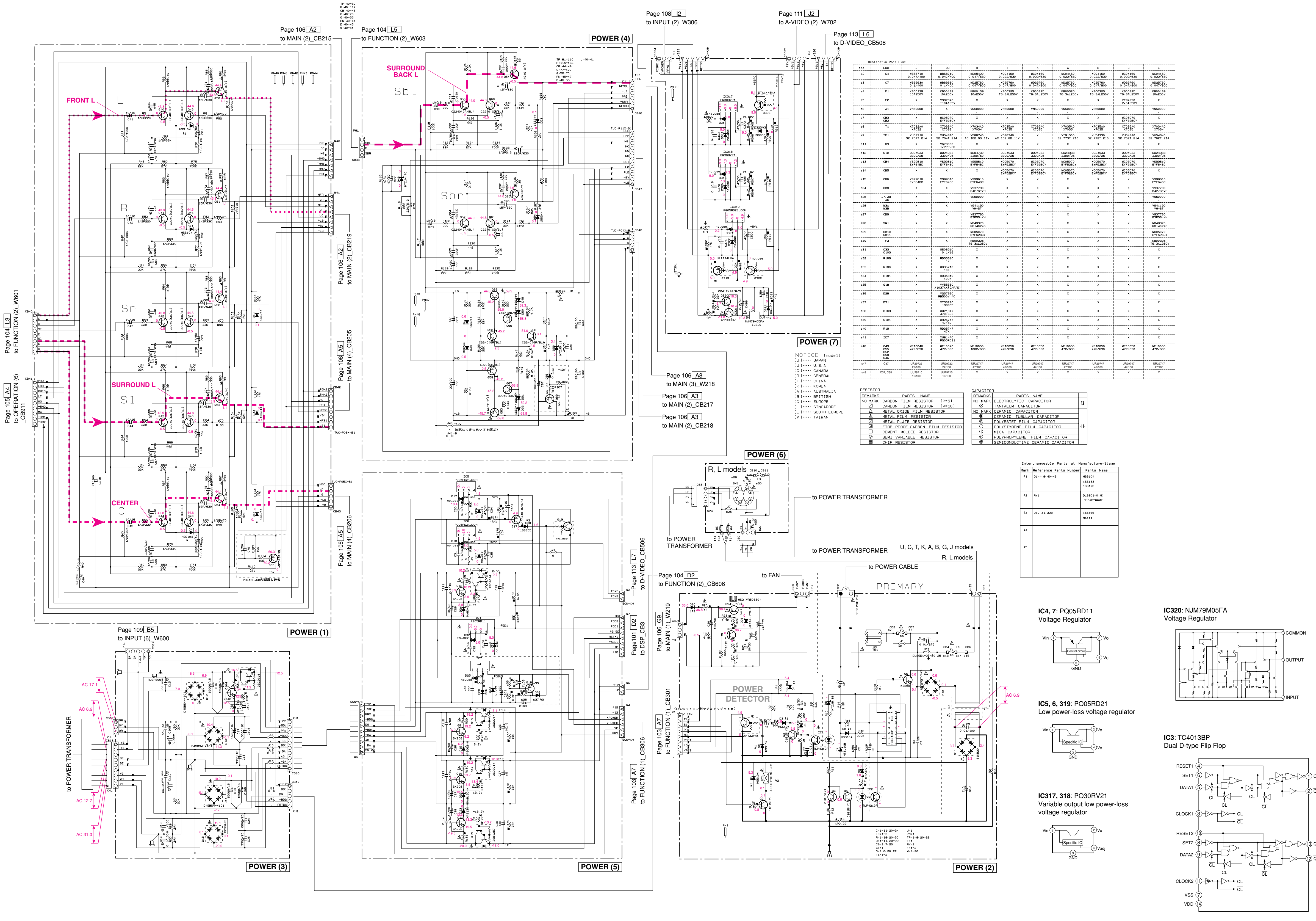


★ All voltages are measured with a 10MΩ/V DC electronic volt meter.
 ★ Components having special characteristics are marked with a triangle and must be replaced with parts having specifications equal to those originally installed.
 ★ Schematic diagram is subject to change without notice.

● 電圧は、内部抵抗10MΩの電圧計で測定したものです。
 ● 印のある部品は、安全性確保部品を示しています。部品の交換が必要な場合、パーツリストに記載されている部品を使用してください。
 ● 本回路図は標準回路図です。改良のため予告なく変更することがございます。

■ SCHEMATIC DIAGRAM (POWER)

1
2
3
4
5
6
7
8
9
10



Destination Part List

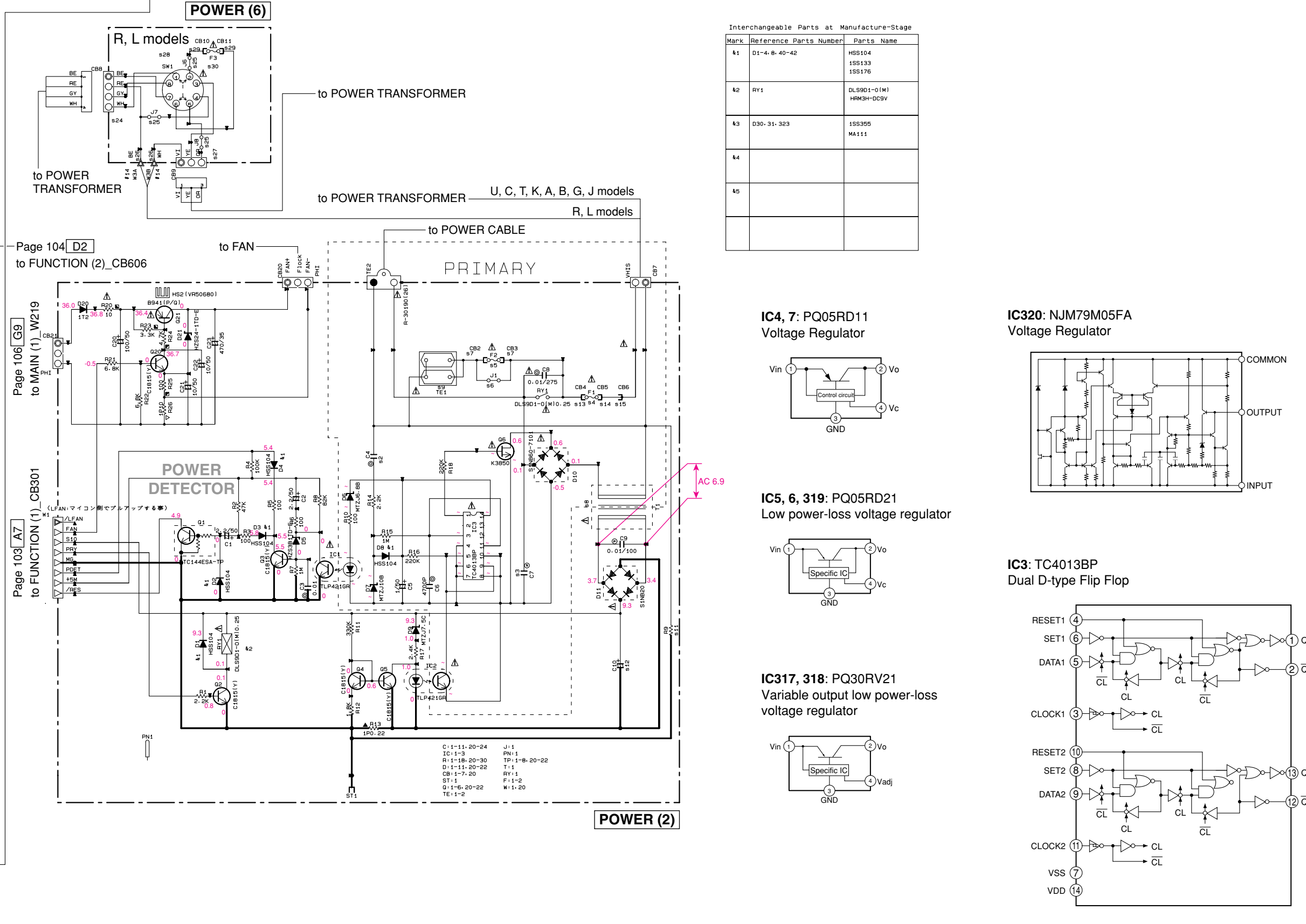
LOC	J	IC	B	T	K	A	B	G	L
82	C4	W82710	W82710	W82710	W82710	W82710	W82710	W82710	W82710
83	CF	W82710	W82710	W82710	W82710	W82710	W82710	W82710	W82710
84	F1	W82710	W82710	W82710	W82710	W82710	W82710	W82710	W82710
85	F2	W82710	W82710	W82710	W82710	W82710	W82710	W82710	W82710
86	J1	W82710	W82710	W82710	W82710	W82710	W82710	W82710	W82710
87	CB1	W82710	W82710	W82710	W82710	W82710	W82710	W82710	W82710
88	T1	W82710	W82710	W82710	W82710	W82710	W82710	W82710	W82710
89	TE1	W82710	W82710	W82710	W82710	W82710	W82710	W82710	W82710
90	TE2	W82710	W82710	W82710	W82710	W82710	W82710	W82710	W82710
91	FB	W82710	W82710	W82710	W82710	W82710	W82710	W82710	W82710
92	C10	W82710	W82710	W82710	W82710	W82710	W82710	W82710	W82710
93	C11	W82710	W82710	W82710	W82710	W82710	W82710	W82710	W82710
94	CB5	W82710	W82710	W82710	W82710	W82710	W82710	W82710	W82710
95	CB6	W82710	W82710	W82710	W82710	W82710	W82710	W82710	W82710
96	CB7	W82710	W82710	W82710	W82710	W82710	W82710	W82710	W82710
97	J7_08	W82710	W82710	W82710	W82710	W82710	W82710	W82710	W82710
98	W14	W82710	W82710	W82710	W82710	W82710	W82710	W82710	W82710
99	CB8	W82710	W82710	W82710	W82710	W82710	W82710	W82710	W82710
100	F7	W82710	W82710	W82710	W82710	W82710	W82710	W82710	W82710
101	C13	W82710	W82710	W82710	W82710	W82710	W82710	W82710	W82710
102	R109	W82710	W82710	W82710	W82710	W82710	W82710	W82710	W82710
103	R180	W82710	W82710	W82710	W82710	W82710	W82710	W82710	W82710
104	R181	W82710	W82710	W82710	W82710	W82710	W82710	W82710	W82710
105	G18	W82710	W82710	W82710	W82710	W82710	W82710	W82710	W82710
106	CB9	W82710	W82710	W82710	W82710	W82710	W82710	W82710	W82710
107	D31	W82710	W82710	W82710	W82710	W82710	W82710	W82710	W82710
108	C108	W82710	W82710	W82710	W82710	W82710	W82710	W82710	W82710
109	C101	W82710	W82710	W82710	W82710	W82710	W82710	W82710	W82710
110	R19	W82710	W82710	W82710	W82710	W82710	W82710	W82710	W82710
111	C27	W82710	W82710	W82710	W82710	W82710	W82710	W82710	W82710
112	CB2	W82710	W82710	W82710	W82710	W82710	W82710	W82710	W82710
113	CB3	W82710	W82710	W82710	W82710	W82710	W82710	W82710	W82710
114	CB4	W82710	W82710	W82710	W82710	W82710	W82710	W82710	W82710
115	CB5	W82710	W82710	W82710	W82710	W82710	W82710	W82710	W82710
116	CB6	W82710	W82710	W82710	W82710	W82710	W82710	W82710	W82710
117	CB7	W82710	W82710	W82710	W82710	W82710	W82710	W82710	W82710
118	CB8	W82710	W82710	W82710	W82710	W82710	W82710	W82710	W82710
119	CB9	W82710	W82710	W82710	W82710	W82710	W82710	W82710	W82710
120	CB10	W82710	W82710	W82710	W82710	W82710	W82710	W82710	W82710
121	CB11	W82710	W82710	W82710	W82710	W82710	W82710	W82710	W82710
122	CB12	W82710	W82710	W82710	W82710	W82710	W82710	W82710	W82710
123	CB13	W82710	W82710	W82710	W82710	W82710	W82710	W82710	W82710
124	CB14	W82710	W82710	W82710	W82710	W82710	W82710	W82710	W82710
125	CB15	W82710	W82710	W82710	W82710	W82710	W82710	W82710	W82710
126	CB16	W82710	W82710	W82710	W82710	W82710	W82710	W82710	W82710
127	CB17	W82710	W82710	W82710	W82710	W82710	W82710	W82710	W82710
128	CB18	W82710	W82710	W82710	W82710	W82710	W82710	W82710	W82710
129	CB19	W82710	W82710	W82710	W82710	W82710	W82710	W82710	W82710
130	CB20	W82710	W82710	W82710	W82710	W82710	W82710	W82710	W82710
131	CB21	W82710	W82710	W82710	W82710	W82710	W82710	W82710	W82710
132	CB22	W82710	W82710	W82710	W82710	W82710	W82710	W82710	W82710
133	CB23	W82710	W82710	W82710	W82710	W82710	W82710	W82710	W82710
134	CB24	W82710	W82710	W82710	W82710	W82710	W82710	W82710	W82710
135	CB25	W82710	W82710	W82710	W82710	W82710	W82710	W82710	W82710
136	CB26	W82710	W82710	W82710	W82710	W82710	W82710	W82710	W82710
137	CB27	W82710	W82710	W82710	W82710	W82710	W82710	W82710	W82710
138	CB28	W82710	W82710	W82710	W82710	W82710	W82710	W82710	W82710
139	CB29	W82710	W82710	W82710	W82710	W82710	W82710	W82710	W82710
140	CB30	W82710	W82710	W82710	W82710	W82710	W82710	W82710	W82710
141	CB31	W82710	W82710	W82710	W82710	W82710	W82710	W82710	W82710
142	CB32	W82710	W82710	W82710	W82710	W82710	W82710	W82710	W82710
143	CB33	W82710	W82710	W82710	W82710	W82710	W82710	W82710	W82710
144	CB34	W82710	W82710	W82710	W82710	W82710	W82710	W82710	W82710
145	CB35	W82710	W82710	W82710	W82710	W82710	W82710	W82710	W82710
146	CB36	W82710	W82710	W82710	W82710	W82710	W82710	W82710	W82710
147	CB37	W82710	W82710	W82710	W82710	W82710	W82710	W82710	W82710
148	CB38	W82710	W82710	W82710	W82710	W82710	W82710	W82710	W82710

NOTICE (Model)
 (J)..... JAPAN
 (U)..... U.S.A
 (C)..... CANADA
 (S)..... GENERAL
 (T)..... CHINA
 (K)..... KOREA
 (A)..... AUSTRALIA
 (B)..... BRITISH
 (E)..... EUROPE
 (L)..... SINGAPORE
 (SE)..... SOUTH EUROPE
 (V)..... TAIWAN

RESISTOR	PARTS NAME	CAPACITOR	PARTS NAME
NO MARK	CARBON FILM RESISTOR (P=5)	NO MARK	ELECTROLYTIC CAPACITOR
□	CARBON FILM RESISTOR (P=10)	□	TANTALUM CAPACITOR
△	METAL OXIDE FILM RESISTOR	△	CERAMIC CAPACITOR
◇	METAL FILM RESISTOR	◇	CERAMIC TUBULAR CAPACITOR
○	FINE PORE CARBON FILM RESISTOR	○	POLYESTER FILM CAPACITOR
◎	CEMENT MOLDED RESISTOR	◎	POLYSTYRENE FILM CAPACITOR
⊙	SEM. VARIABLE RESISTOR	⊙	MICA CAPACITOR
⊚	CHIP RESISTOR	⊚	POLYPROPYLENE FILM CAPACITOR
		⊛	SEMICONDUCTIVE CERAMIC CAPACITOR

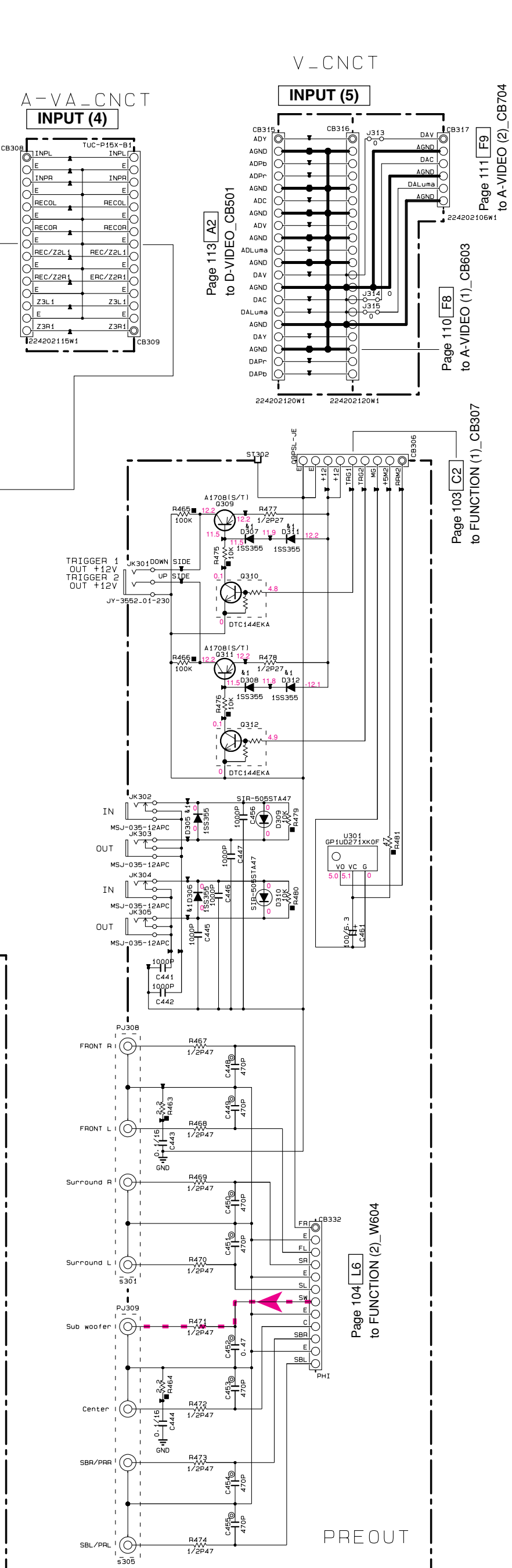
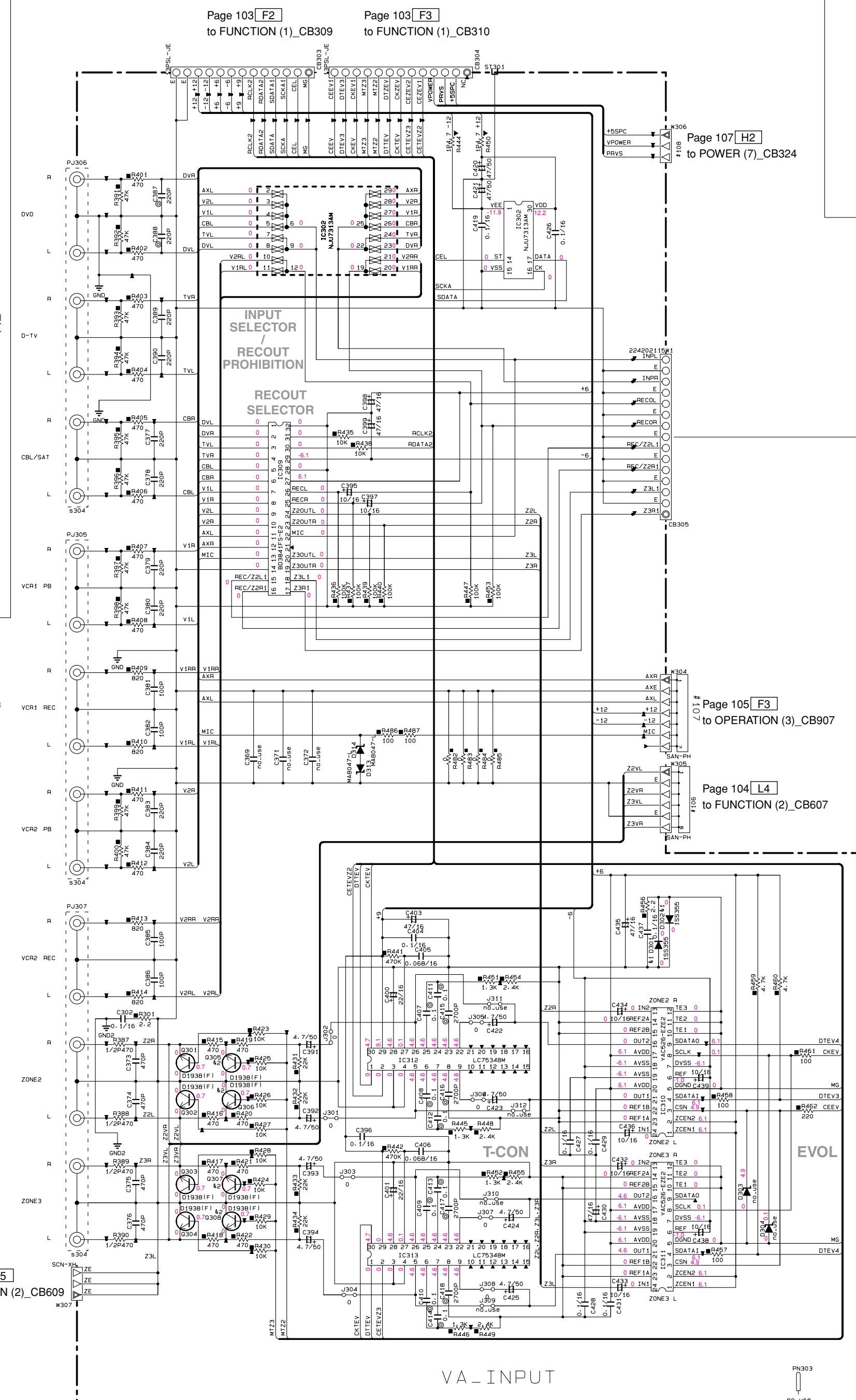
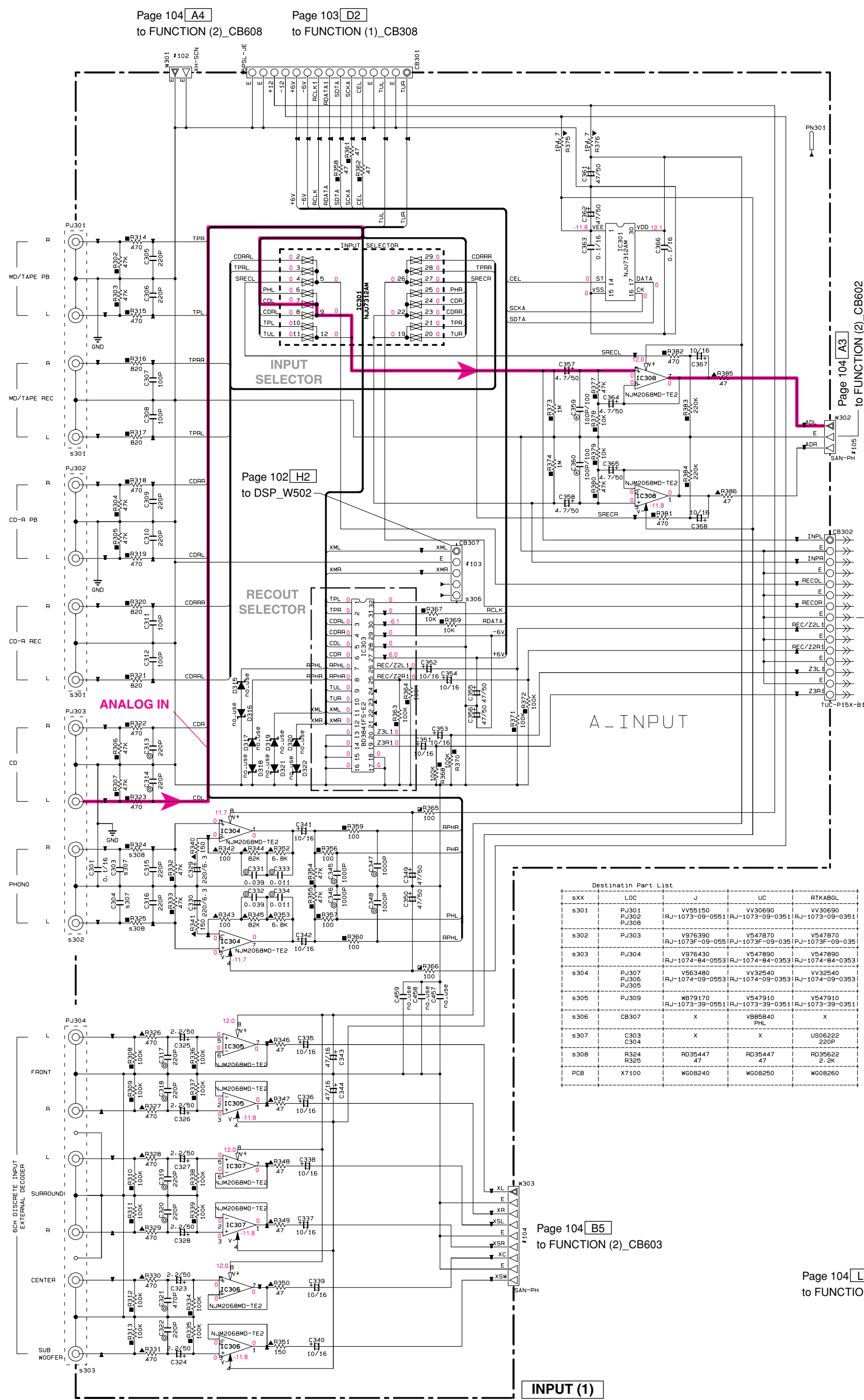
Interchangeable Parts at Manufacture-Stage

Mark	Reference Parts Number	Parts Name
84	D14-8-40-42	85014
		15513
		15516
82	RV1	DL5001-01W
		W8000-020V
83	D30-31-323	15535
		46111
84		
85		



★ All voltages are measured with a 10MΩ/V DC electronic volt meter.
 ★ Components having special characteristics are marked !, and must be replaced with parts having specifications equal to those originally installed.
 ★ Schematic diagram is subject to change without notice.

● 電圧は、内部抵抗10MΩの電圧計で測定したものです。
 ● !印のある部品は、特殊性のある部品を示しています。部品の交換が必要な場合、パーツリストに記載されている部品を使用してください。
 ● 本回路図は標準回路図です。改良のため予告なく変更することがございます。



SX#	LOC	U	UC	RTK48SL
3301	PJ301	V55150	VY30600	VY30600
3302	PJ302	RU-1073-09-0551	RU-1073-09-0551	RU-1073-09-0551
3303	PJ303	V55150	VY30600	VY30600
3304	PJ304	V576430	V547890	V547890
3305	PJ305	RU-1074-09-0551	RU-1074-09-0551	RU-1074-09-0551
3306	PJ306	V55150	VY30600	VY30600
3307	PJ307	V55150	VY30600	VY30600
3308	PJ308	RU-1074-09-0551	RU-1074-09-0551	RU-1074-09-0551
3309	PJ309	V576430	V547890	V547890
3310	PJ310	RU-1073-09-0551	RU-1073-09-0551	RU-1073-09-0551
3311	PJ311	V55150	VY30600	VY30600
3312	PJ312	V55150	VY30600	VY30600
3313	PJ313	V55150	VY30600	VY30600
3314	PJ314	V55150	VY30600	VY30600
3315	PJ315	V55150	VY30600	VY30600
3316	PJ316	V55150	VY30600	VY30600
3317	PJ317	V55150	VY30600	VY30600
3318	PJ318	V55150	VY30600	VY30600
3319	PJ319	V55150	VY30600	VY30600
3320	PJ320	V55150	VY30600	VY30600
3321	PJ321	V55150	VY30600	VY30600
3322	PJ322	V55150	VY30600	VY30600
3323	PJ323	V55150	VY30600	VY30600
3324	PJ324	V55150	VY30600	VY30600
3325	PJ325	V55150	VY30600	VY30600
3326	PJ326	V55150	VY30600	VY30600
3327	PJ327	V55150	VY30600	VY30600
3328	PJ328	V55150	VY30600	VY30600
3329	PJ329	V55150	VY30600	VY30600
3330	PJ330	V55150	VY30600	VY30600
3331	PJ331	V55150	VY30600	VY30600
3332	PJ332	V55150	VY30600	VY30600
3333	PJ333	V55150	VY30600	VY30600
3334	PJ334	V55150	VY30600	VY30600
3335	PJ335	V55150	VY30600	VY30600
3336	PJ336	V55150	VY30600	VY30600
3337	PJ337	V55150	VY30600	VY30600
3338	PJ338	V55150	VY30600	VY30600
3339	PJ339	V55150	VY30600	VY30600
3340	PJ340	V55150	VY30600	VY30600
3341	PJ341	V55150	VY30600	VY30600
3342	PJ342	V55150	VY30600	VY30600
3343	PJ343	V55150	VY30600	VY30600
3344	PJ344	V55150	VY30600	VY30600
3345	PJ345	V55150	VY30600	VY30600
3346	PJ346	V55150	VY30600	VY30600
3347	PJ347	V55150	VY30600	VY30600
3348	PJ348	V55150	VY30600	VY30600
3349	PJ349	V55150	VY30600	VY30600
3350	PJ350	V55150	VY30600	VY30600
3351	PJ351	V55150	VY30600	VY30600
3352	PJ352	V55150	VY30600	VY30600
3353	PJ353	V55150	VY30600	VY30600
3354	PJ354	V55150	VY30600	VY30600
3355	PJ355	V55150	VY30600	VY30600
3356	PJ356	V55150	VY30600	VY30600
3357	PJ357	V55150	VY30600	VY30600
3358	PJ358	V55150	VY30600	VY30600
3359	PJ359	V55150	VY30600	VY30600
3360	PJ360	V55150	VY30600	VY30600
3361	PJ361	V55150	VY30600	VY30600
3362	PJ362	V55150	VY30600	VY30600
3363	PJ363	V55150	VY30600	VY30600
3364	PJ364	V55150	VY30600	VY30600
3365	PJ365	V55150	VY30600	VY30600
3366	PJ366	V55150	VY30600	VY30600
3367	PJ367	V55150	VY30600	VY30600
3368	PJ368	V55150	VY30600	VY30600
3369	PJ369	V55150	VY30600	VY30600
3370	PJ370	V55150	VY30600	VY30600
3371	PJ371	V55150	VY30600	VY30600
3372	PJ372	V55150	VY30600	VY30600
3373	PJ373	V55150	VY30600	VY30600
3374	PJ374	V55150	VY30600	VY30600
3375	PJ375	V55150	VY30600	VY30600
3376	PJ376	V55150	VY30600	VY30600
3377	PJ377	V55150	VY30600	VY30600
3378	PJ378	V55150	VY30600	VY30600
3379	PJ379	V55150	VY30600	VY30600
3380	PJ380	V55150	VY30600	VY30600
3381	PJ381	V55150	VY30600	VY30600
3382	PJ382	V55150	VY30600	VY30600
3383	PJ383	V55150	VY30600	VY30600
3384	PJ384	V55150	VY30600	VY30600
3385	PJ385	V55150	VY30600	VY30600
3386	PJ386	V55150	VY30600	VY30600
3387	PJ387	V55150	VY30600	VY30600
3388	PJ388	V55150	VY30600	VY30600
3389	PJ389	V55150	VY30600	VY30600
3390	PJ390	V55150	VY30600	VY30600
3391	PJ391	V55150	VY30600	VY30600
3392	PJ392	V55150	VY30600	VY30600
3393	PJ393	V55150	VY30600	VY30600
3394	PJ394	V55150	VY30600	VY30600
3395	PJ395	V55150	VY30600	VY30600
3396	PJ396	V55150	VY30600	VY30600
3397	PJ397	V55150	VY30600	VY30600
3398	PJ398	V55150	VY30600	VY30600
3399	PJ399	V55150	VY30600	VY30600
3400	PJ400	V55150	VY30600	VY30600

NOTICE (mode1)

REMARKS	CAPACITOR	PARTS NAME	RESISTOR	PARTS NAME
(J) JAPAN	NO MARK	ELECTROLYTIC CAPACITOR	NO MARK	CARBON FILM RESISTOR (P=5)
(U) U.S.A	NO MARK	TANTALUM CAPACITOR	NO MARK	CARBON FILM RESISTOR (P=10)
(C) CANADA	NO MARK	CERAMIC CAPACITOR	A	METAL OXIDE FILM RESISTOR
(R) GENERAL	NO MARK	CERAMIC TUBULAR CAPACITOR	A	METAL FILM RESISTOR
(F) CHINA	NO MARK	POLYESTER FILM CAPACITOR	NO MARK	FIRE PROOF CARBON FILM RESISTOR
(K) KOREA	NO MARK	POLYPROPYLENE FILM CAPACITOR	NO MARK	CEMENT RESISTOR
(A) AUSTRALIA	NO MARK	MICA CAPACITOR	NO MARK	SEMI VARIABLE RESISTOR
(B) BRITISH	NO MARK	POLYPROPYLENE FILM CAPACITOR	NO MARK	CHIP RESISTOR
(G) EUROPE	NO MARK	POLYPROPYLENE FILM CAPACITOR	NO MARK	
(L) SINGAPORE	NO MARK	POLYPROPYLENE FILM CAPACITOR	NO MARK	
(E) SOUTH EUROPE	NO MARK	POLYPROPYLENE FILM CAPACITOR	NO MARK	
(V) TAIWAN	NO MARK	POLYPROPYLENE FILM CAPACITOR	NO MARK	

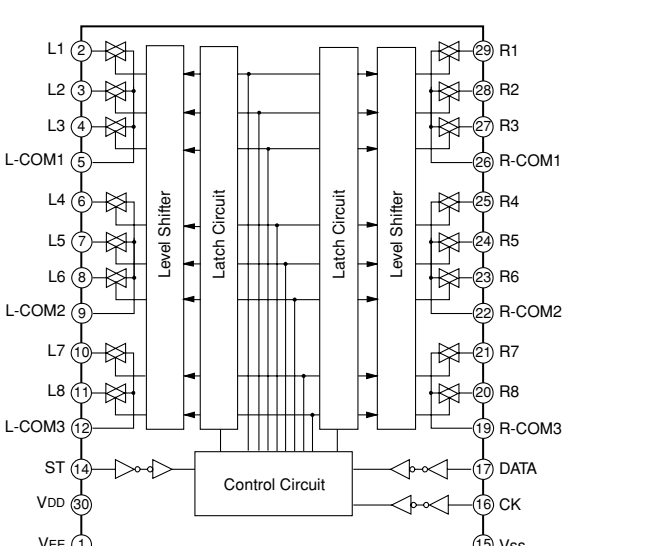
Interchangeable Parts at Manufacture-Stage

REMARKS	Reference	Parts Number	Parts Name
A1	0301-303-305-308	155329	
A2	0301-310-008-011-016	M4111	
A3		250128(F)	
A4		250274(F)	
A5		250274(F)	

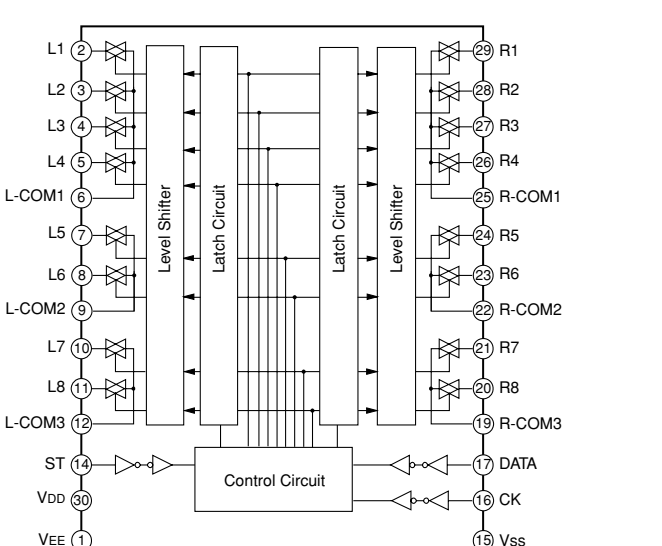
* All voltages are measured with a 10MΩ/V DC electronic volt meter.
 * Components having special characteristics are marked Δ, and must be replaced with parts having specifications equal to those originally installed.
 * Schematic diagram is subject to change without notice.

● 電圧は、内部抵抗10MΩの電圧計で測定したものです。
 ● Δ印のある部品は、安全性確保部品を示しています。部品の交換が必要な場合、パーツリストに記載されている部品を使用してください。
 ● 本回路図は標準回路図です。改良のため予告なく変更することがございます。

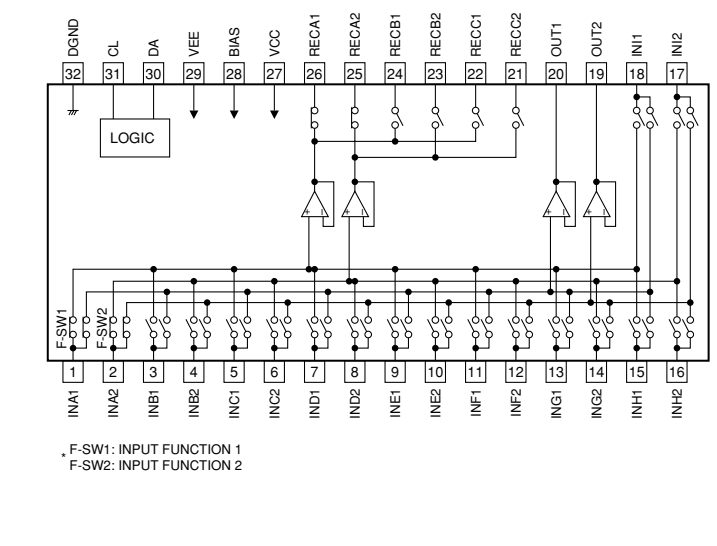
IC301: NJU712AM
Analog function switch



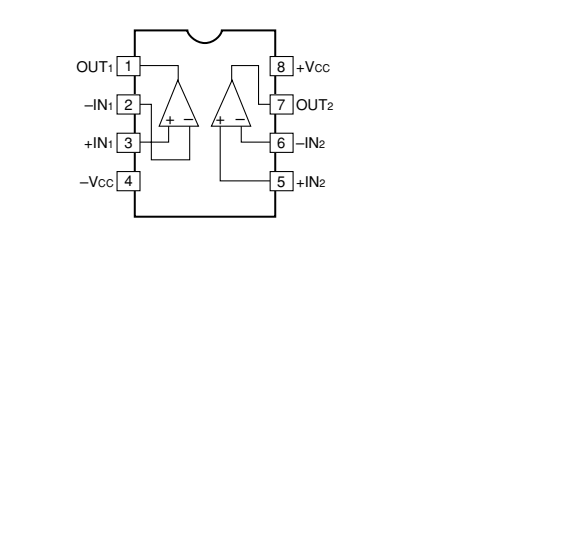
IC302: NJU713AM
Analog function switch



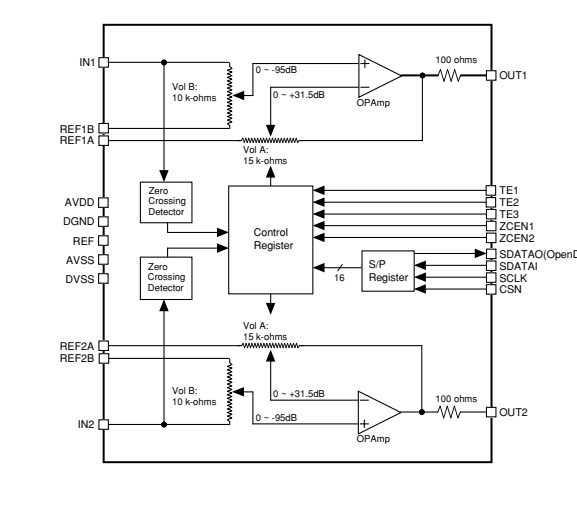
IC303, 309: BD3841FS
Function Switch



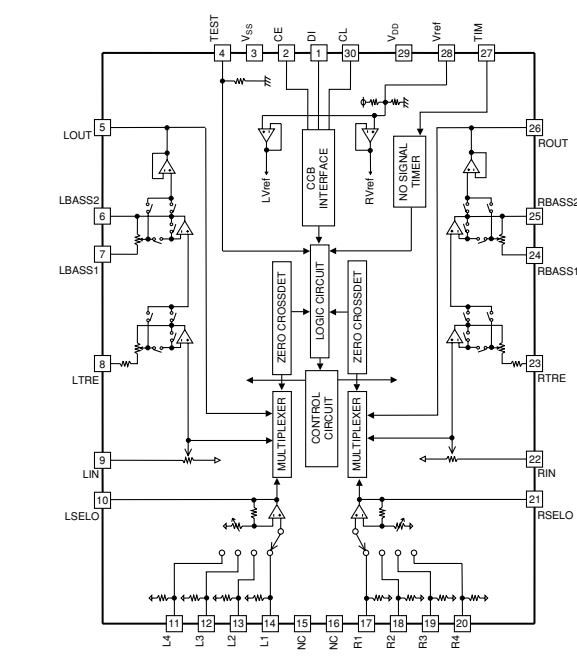
IC304-308: NJM2068MD-TE2
Dual OP-Amp

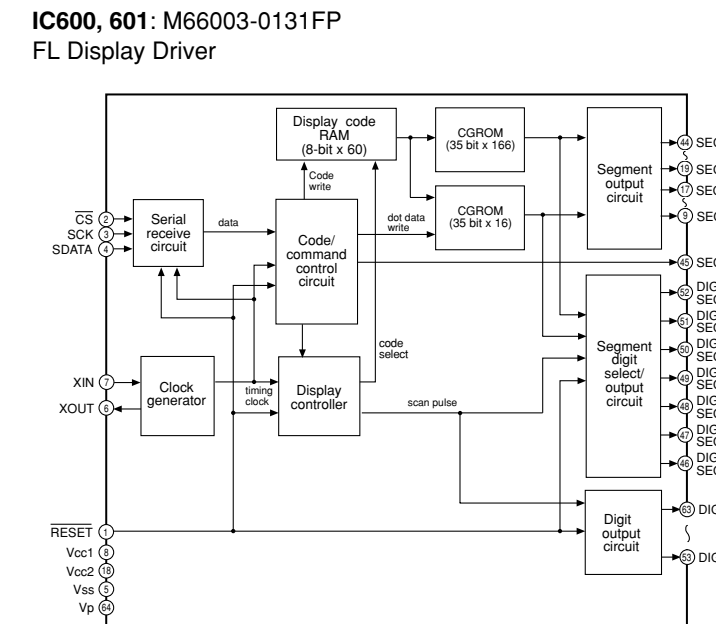
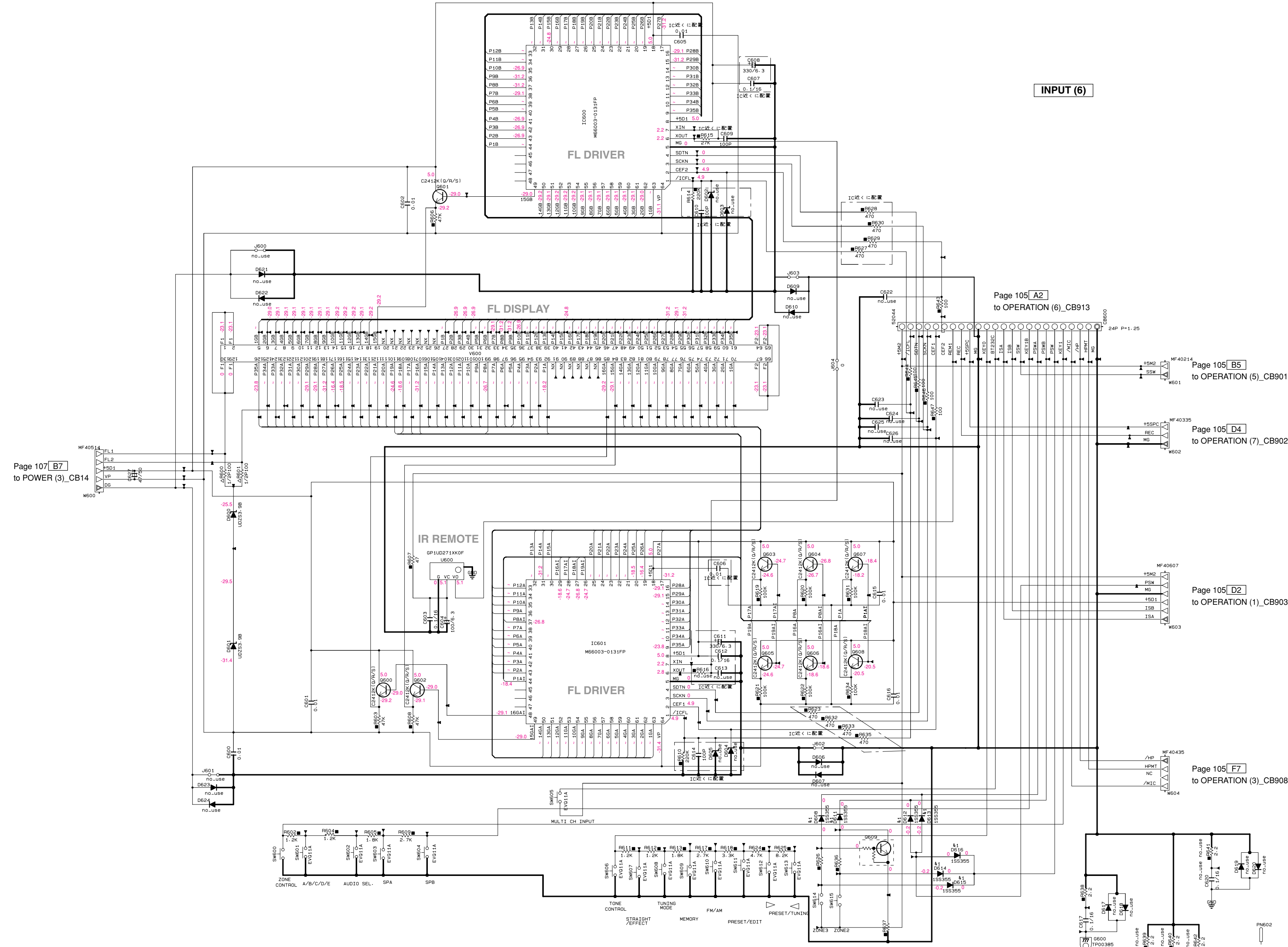


IC310, 311: YAC526-EZE2
2ch high grade digital volume LSI

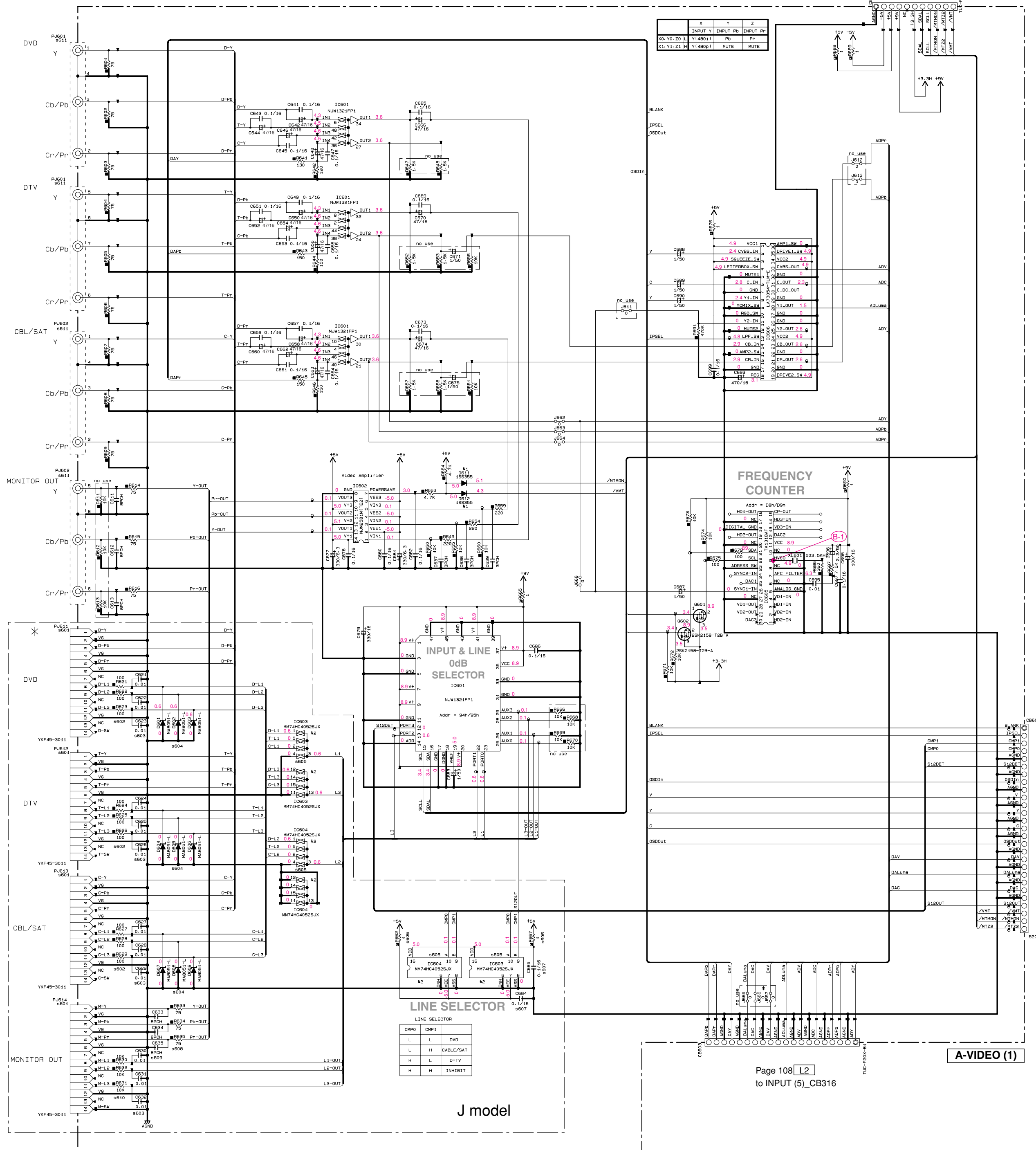


IC312, 313: LC75348M
Single-Chip Electronic Volume and Tone Control System

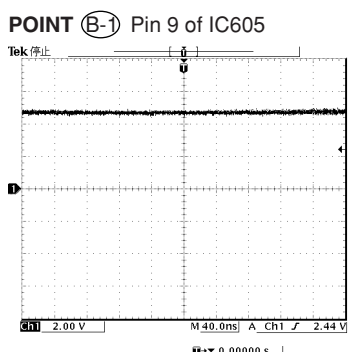




* All voltages are measured with a 10MΩ/V DC electronic volt meter.
 * 1印のある部品は、安全性確保部品を示しています。部品の交換が必要な場合、パーツリストに記載されている部品を使用してください。
 * 本回路図は標準回路図です。改良のため予告なく変更することがございます。



Page 108 [L2]
 to INPUT (5)_CB316



RESISTOR

REMARKS	PARTS NAME
NO MARK	CARBON FILM RESISTOR (P=5)
□	CARBON FILM RESISTOR (P=10)
△	METAL OXIDE FILM RESISTOR
○	METAL PLATE RESISTOR
◇	FIRE PROOF CARBON FILM RESISTOR
■	CEMENT MOUNTED RESISTOR
□	SEMI-CONDUCTIVE RESISTOR
●	CHIP RESISTOR

NOTICE (node1)

(J)..... JAPAN
 (U)..... U.S.A
 (C)..... CANADA
 (R)..... GENERAL
 (T)..... CHINA
 (K)..... KOREA
 (A)..... AUSTRALIA
 (B)..... BRITISH
 (E)..... EUROPE
 (L)..... SINGAPORE
 (S)..... SOUTH EUROPE
 (V)..... TAIWAN

CAPACITOR

REMARKS	PARTS NAME
NO MARK	ELECTROLYTIC CAPACITOR
□	TANTALUM CAPACITOR
NO MARK	CERAMIC CAPACITOR
○	CERAMIC TUBULAR CAPACITOR
◇	POLYESTER FILM CAPACITOR
○	POLYESTER FILM CAPACITOR
○	MICA CAPACITOR
○	POLYPROPYLENE FILM CAPACITOR
○	SEMICONDUCTIVE CERAMIC CAPACITOR
○	POLYPHENYLENE SULFIDE FILM CAPACITOR

Destination Part List

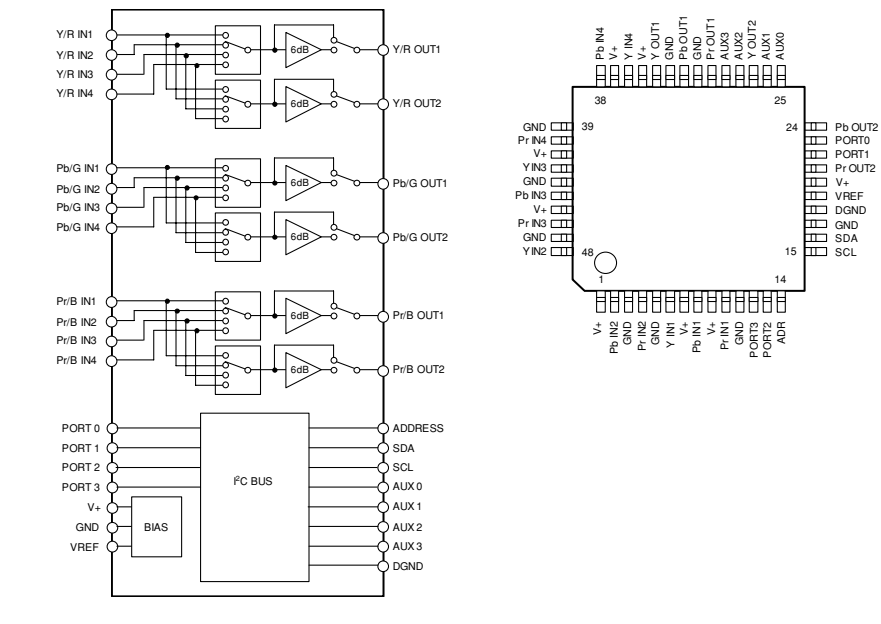
XXXX	LOC	J	U.C	R.K	T.A-B-D-L
9801	P.010	W52844	X	X	X
9802	P.010	W52844	X	X	X
9803	P.010	W52844	X	X	X
9804	P.010	W52844	X	X	X
9805	P.010	W52844	X	X	X
9806	P.010	W52844	X	X	X
9807	P.010	W52844	X	X	X
9808	P.010	W52844	X	X	X
9809	P.010	W52844	X	X	X
9810	P.010	W52844	X	X	X
9811	P.010	W52844	X	X	X

Page 111 [G9]
 to A-VIDEO (2)_CB703

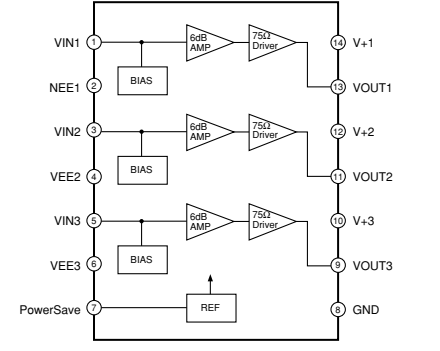
Interchangeable Parts at Manufacture Stage

Mark	Reference Parts Number	Parts Name
81	5811-812-701-706-771-774-811-812	IS5955 8A11
82	10603-604	MM74HC4052JX TCT4C4052AF(L,F)
83	1C701-706	MM74HC4053JX TCT4C4053AF(L,F)
84	1C701-704	MM74HC4051JX TCT4C4051AF(L,F)
85	1C719	74S422NLT 42S05242
86	1C719	TCT4C4052AF(L,F) MM74HC4052JX

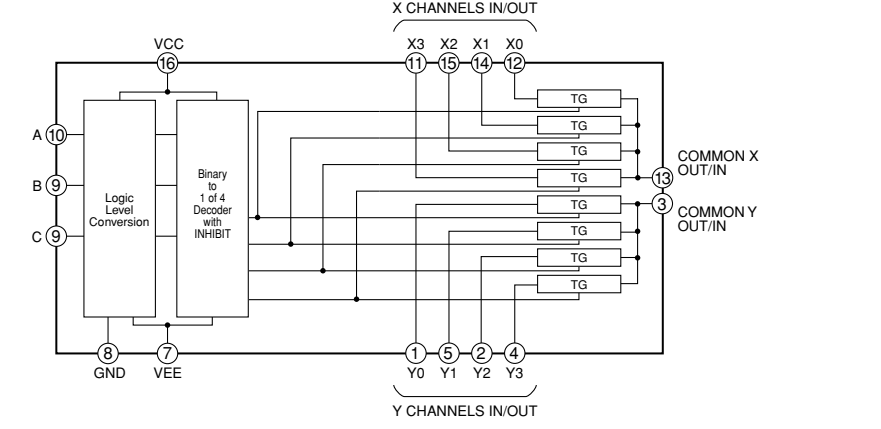
IC601: NJW1321FP1
 Wide Band Video Switch with I²C BUS



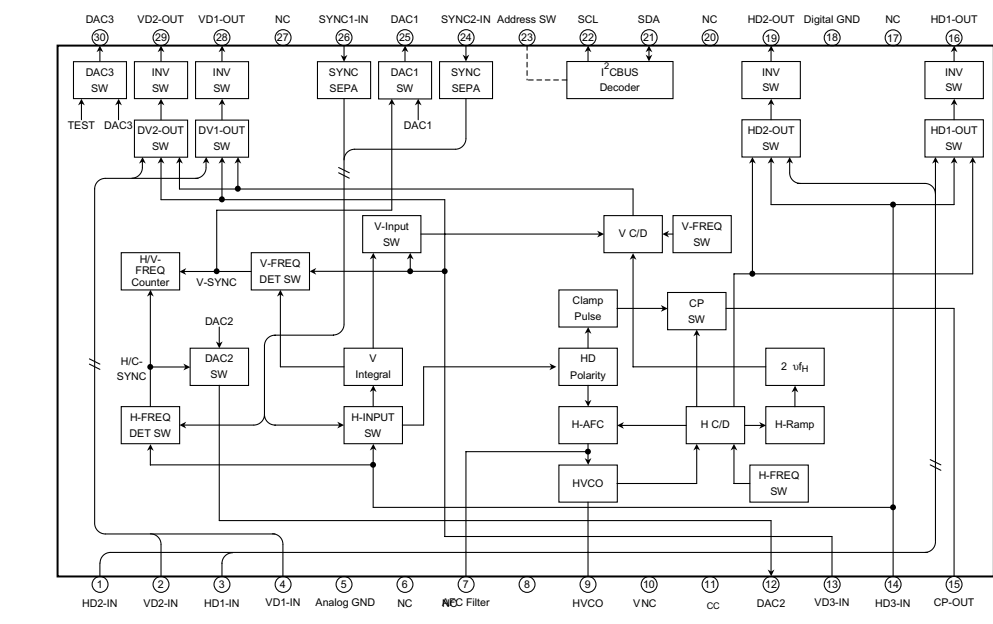
IC602: NJM2581M
 Video Amp



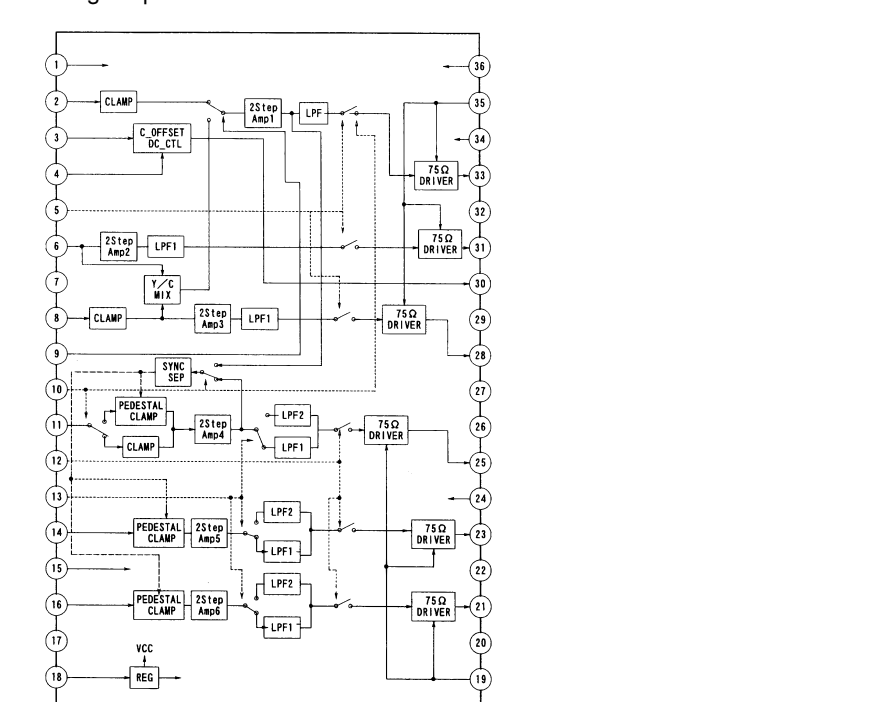
IC603, 604: MM74HC4052SJX
 Dual 4-Channel Analog Multiplexer



IC605: TA1318AF
 SYNC Processor, Frequency Counter IC for TV Component Signals

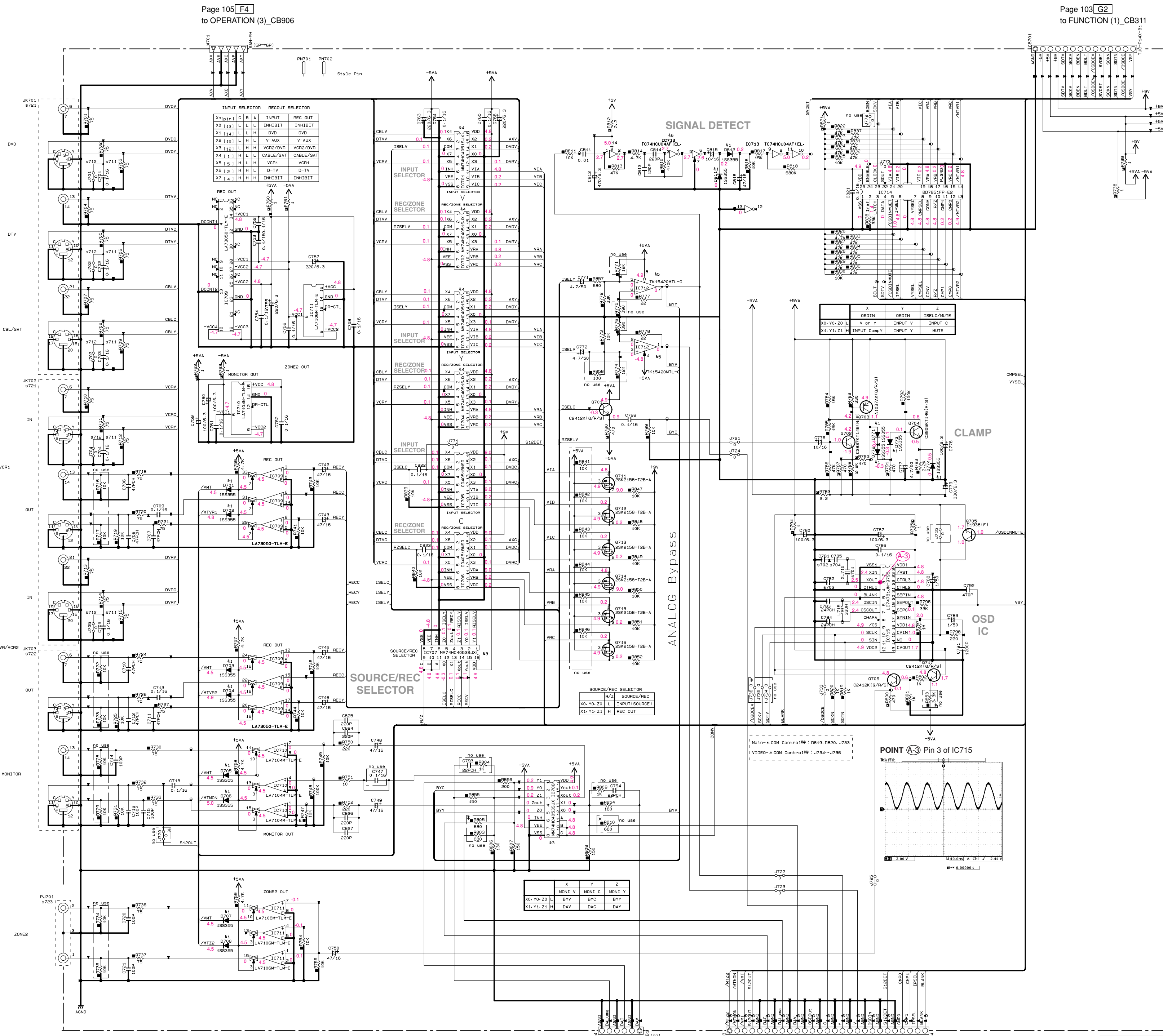


IC606: LA73054-TLM-E
 Analog Amp



★ All voltages are measured with a 10MΩ/V DC electronic volt meter.
 ★ Components having special characteristics are marked ▲, and must be replaced with parts having specifications equal to those originally installed.
 ★ Schematic diagram is subject to change without notice.

● 電圧は、内部抵抗10MΩの電圧計で測定したものです。
 ● ▲印のある部品は、安全性確保部品を示しています。部品の交換が必要な場合、パーツリストに記載されている部品を使用してください。
 ● 本回路図は標準回路図です。改良のため予告なく変更することがございます。



Page 107 [L2]
to POWER (7)_CB325

Page 103 [G2]
to FUNCTION (1)_CB311

RESISTOR

REMARKS	PARTS NAME
NO MARK	CARBON FILM RESISTOR (P-F)
□	CARBON FILM RESISTOR (P-10)
△	METAL OXIDE FILM RESISTOR
◇	METAL FILM RESISTOR
○	FIRE PROOF CARBON FILM RESISTOR
◇	CEMENT MOLDED RESISTOR
□	SEMIVARIABLE RESISTOR
○	CHIP RESISTOR

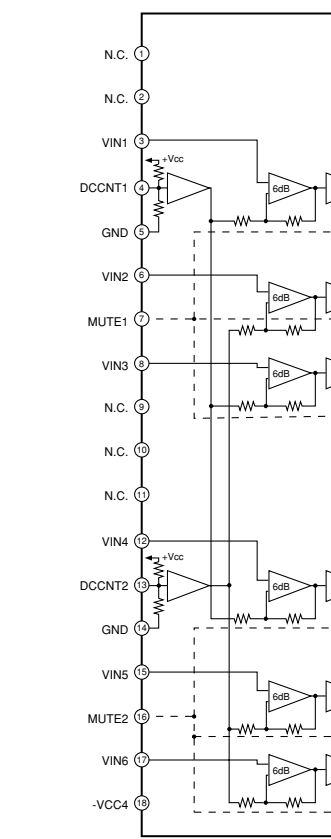
CAPACITOR

REMARKS	PARTS NAME
NO MARK	ELECTROLYTIC CAPACITOR
□	TANTALUM CAPACITOR
○	CERAMIC CAPACITOR
◇	CERAMIC TUBULAR CAPACITOR
○	POLYESTER FILM CAPACITOR
○	POLYSTYRENE FILM CAPACITOR
○	POLYPROPYLENE FILM CAPACITOR
○	SEMICONDUCTIVE CERAMIC CAPACITOR
○	POLYPHENYLENE SULFIDE FILM CAPACITOR
○	CAPACITOR

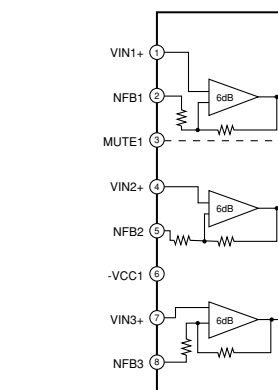
Destination Part List

XXXX	LOC	J	U-C	R-K	T.A.B-S-L
5701	AL715	W05140	W05140	W05140	V50749
5702	C781	U05030	U05030	U05030	X
5703	C782	U05030	U05030	U05030	X
5704	C783	U05030	U05030	U05030	X
5711	C701	U519510	U519510	X	S1752
5712	C702	U519510	U519510	X	S1752
5713	C703	U519510	U519510	X	S1752
5714	C704	U519510	U519510	X	S1752
5715	C705	U519510	U519510	X	S1752
5716	C706	U519510	U519510	X	S1752
5717	C707	U519510	U519510	X	S1752
5718	C708	U519510	U519510	X	S1752
5719	C709	U519510	U519510	X	S1752
5720	C710	U519510	U519510	X	S1752
5721	C711	U519510	U519510	X	S1752
5722	C712	U519510	U519510	X	S1752
5723	C713	U519510	U519510	X	S1752

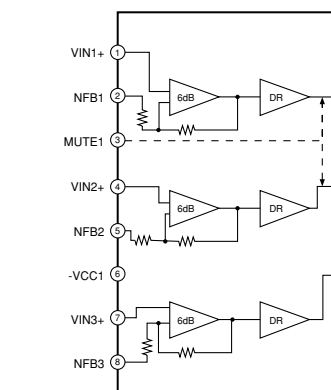
IC709: LA73050-TLM-E Analog Amp



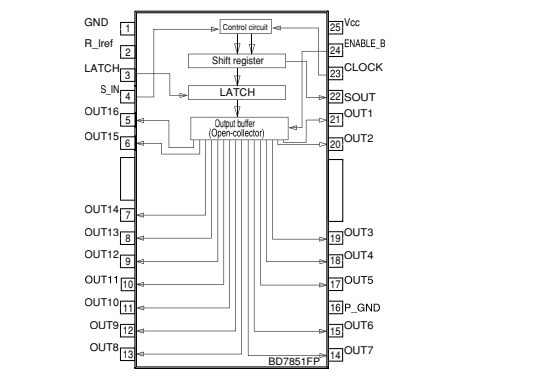
IC710: LA7104M Video Amp



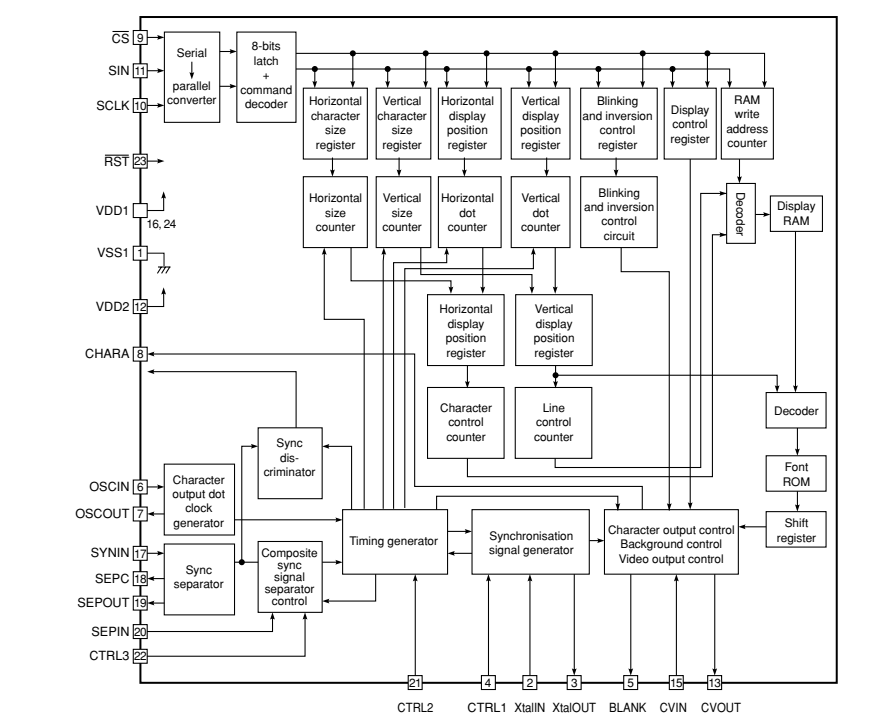
IC711: LA7106M-TLM-E Analog Amp



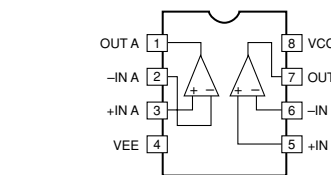
IC714: BD7851FF-E2 LED driver IC with built-in 16bit shift register



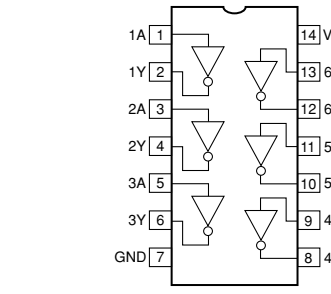
IC715: LC74781JM-9798 On-Screen Display Controller LSI



IC712: TK15420M Video Amp



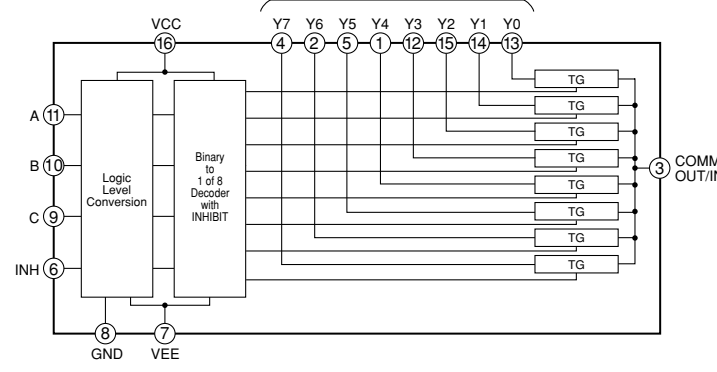
IC713: TC74HC04AFEL Hex Inverters



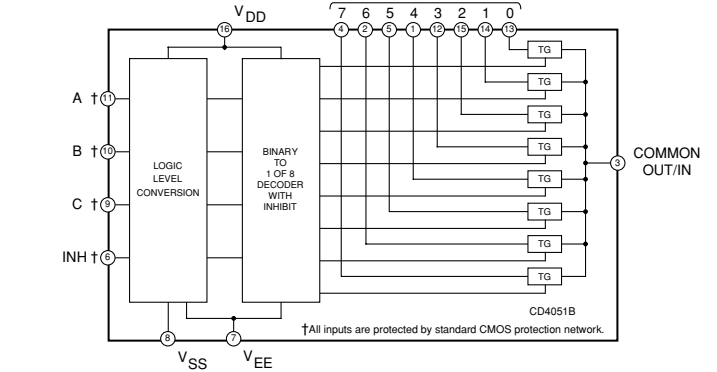
Page 110 [H7]
to A-VIDEO (1)_CB602

Page 108 [L2]
to INPUT (5)_CB317

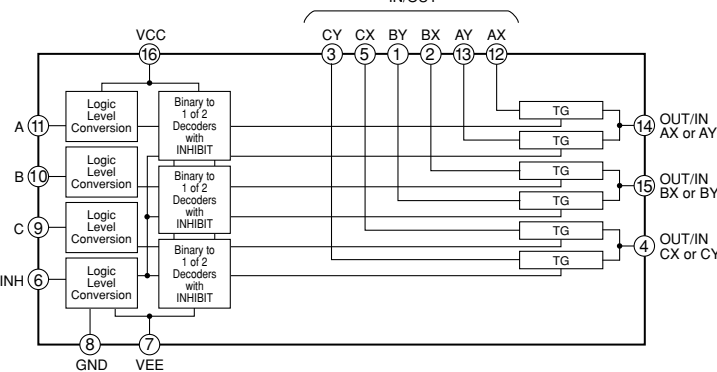
IC701-704: MM74HC4051SJX 8-Channel Analog Multiplexer



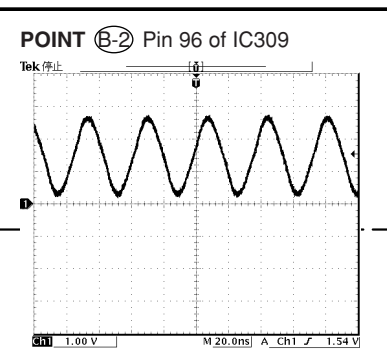
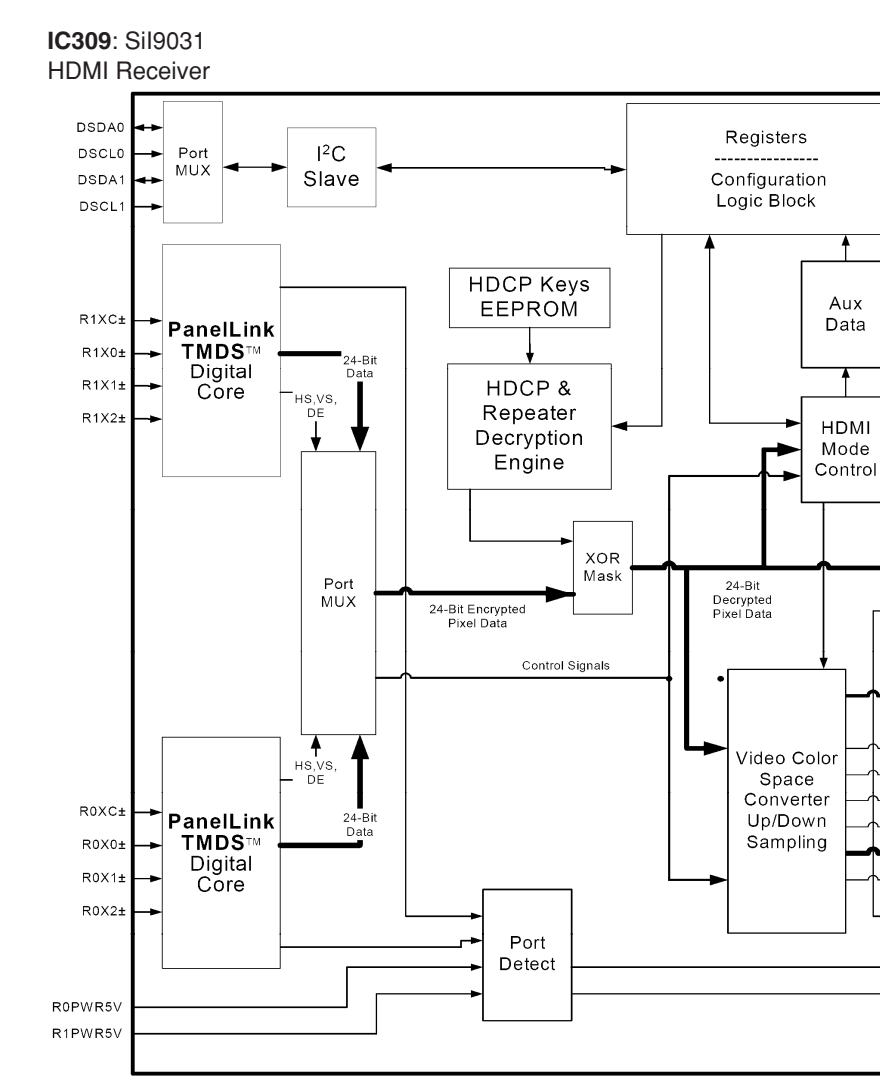
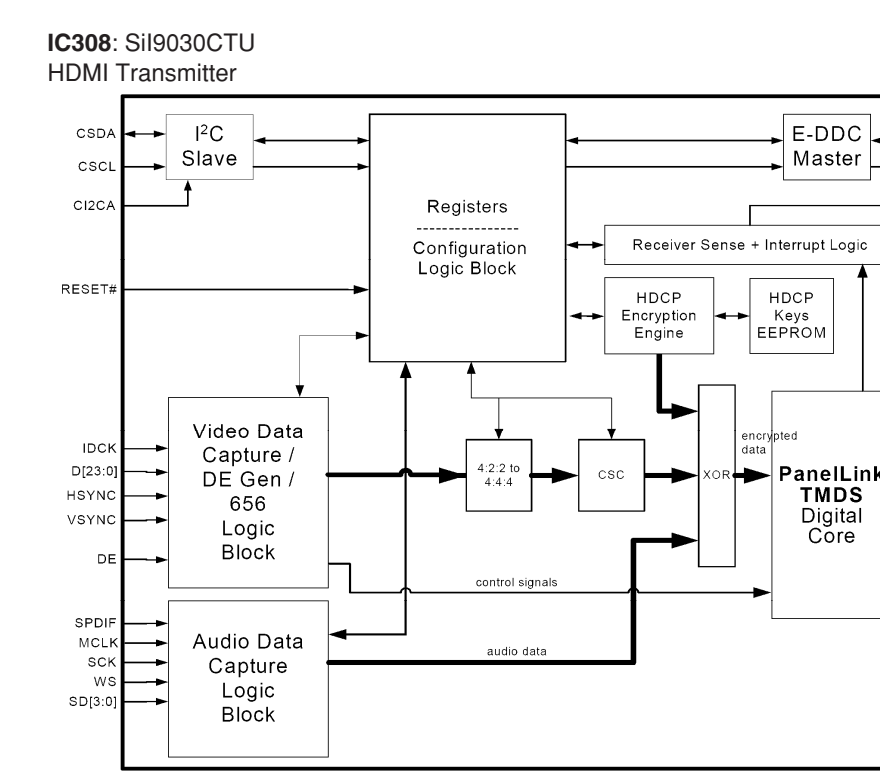
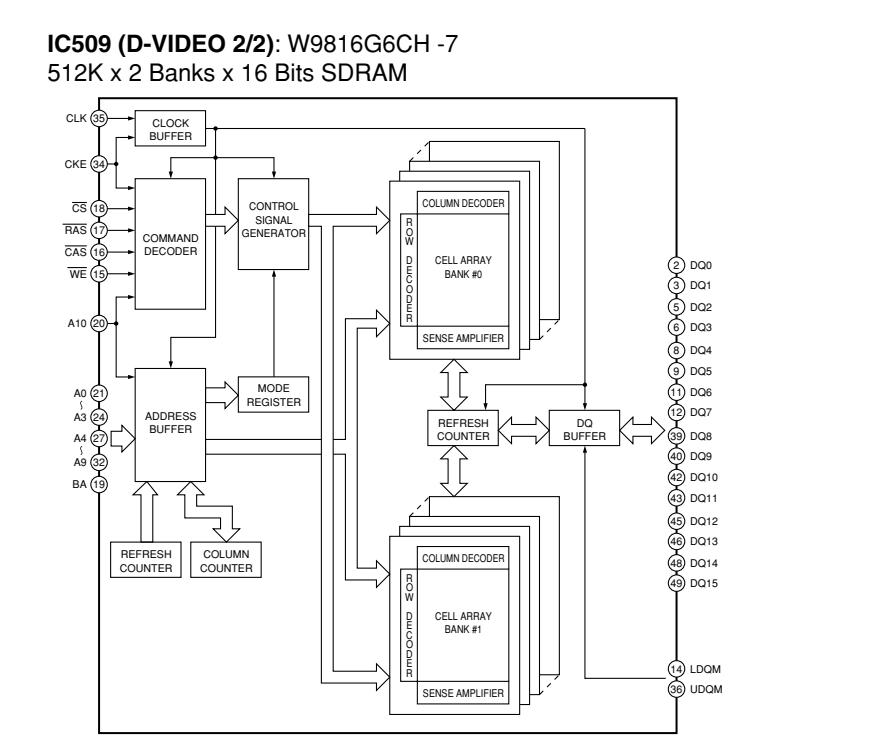
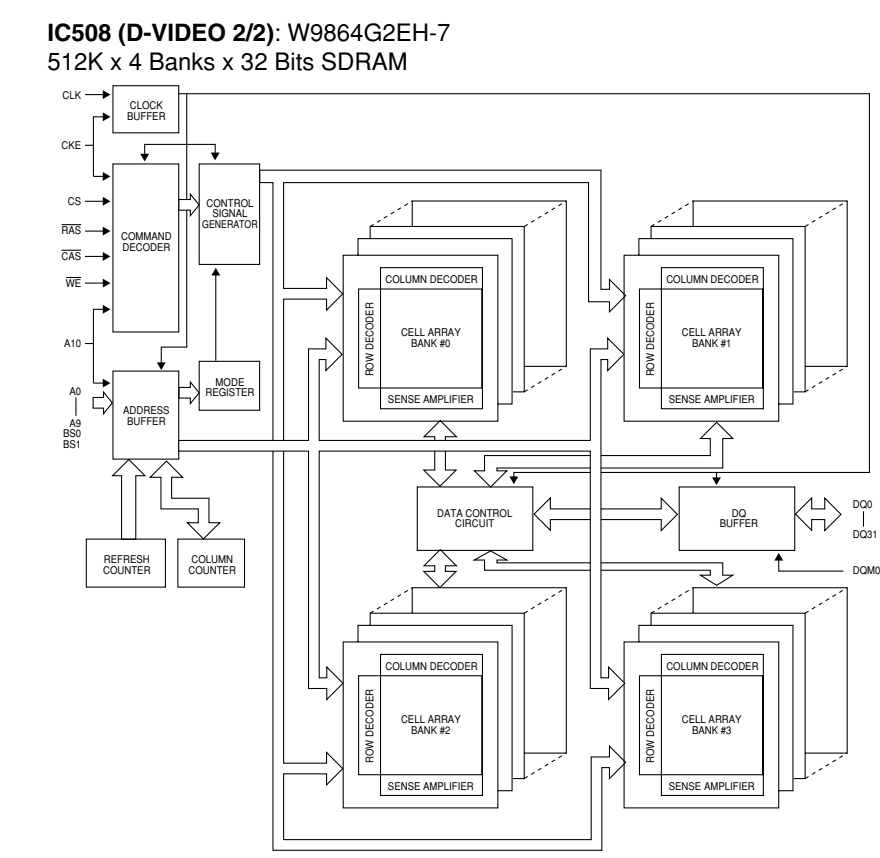
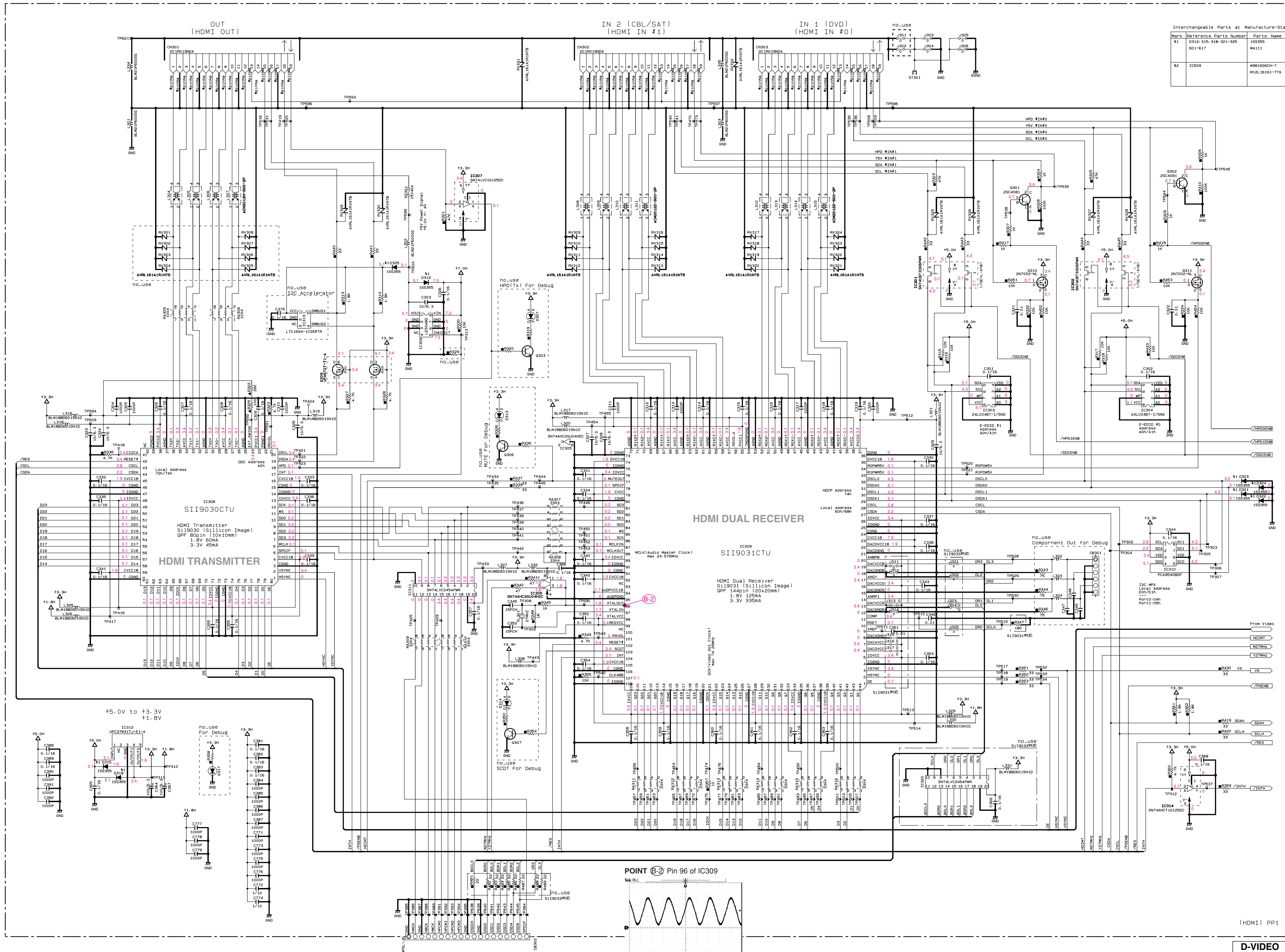
IC705, 706: CD4051BNSR Single 8-Channel multiplexer



IC707, 708: MM74HC4053SJX Triple 2-Channel Analog Multiplexer



* All voltages are measured with a 10MΩ/V DC electronic volt meter.
 * Components having special characteristics are marked ! and must be replaced with parts having specifications equal to those originally installed.
 * Schematic diagram is subject to change without notice.



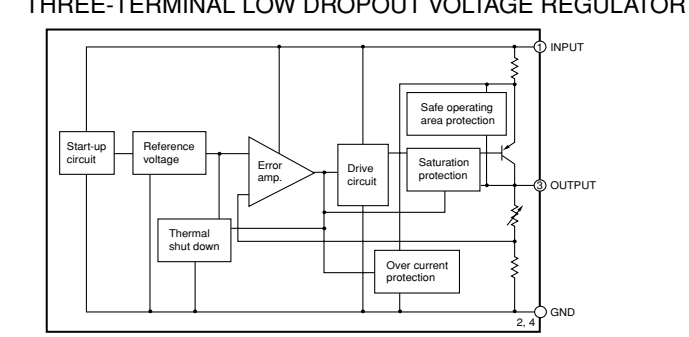
Page 103 13 to FUNCTION (1)_CB314

★ All voltages are measured with a 10MQ/V DC electronic volt meter.
 ★ Components having special characteristics are marked with a triangle and must be replaced with parts having specifications equal to those originally installed.
 ★ Schematic diagram is subject to change without notice.

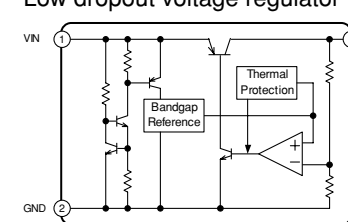
● 電圧は、内部抵抗10MΩの電圧計で測定したものです。
 ● 印のある部品は、安全性確保部品を示しています。部品の交換が必要な場合、パーツリストに記載されている部品を使用してください。
 ● 本回路図は標準回路図です。改良のため予告なく変更することがございます。

SCHEMATIC DIAGRAM (D-VIDEO 2/2)

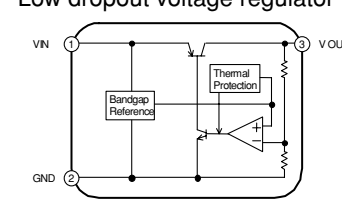
IC601: μ PC2905AT-E1-AZ
THREE-TERMINAL LOW DROPOUT VOLTAGE REGULATOR



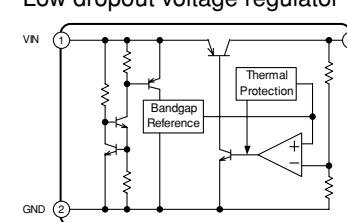
IC602: NJM2885DL1-33
Low dropout voltage regulator



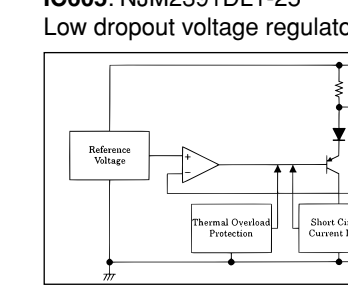
IC603: NJM2845DL1-33
Low dropout voltage regulator



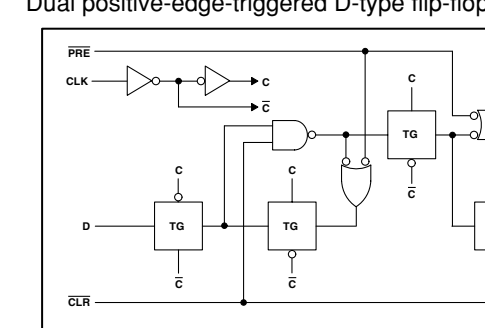
IC606: NJM2885DL1-18
Low dropout voltage regulator



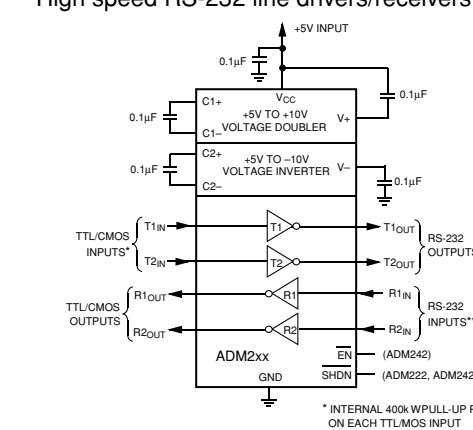
IC604: NJM2391DL1-33
IC605: NJM2391DL1-25
Low dropout voltage regulator



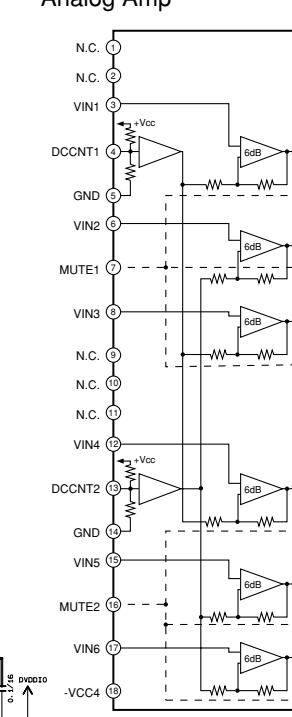
IC610: SN74LVC74PWR
Dual positive-edge-triggered D-type flip-flop



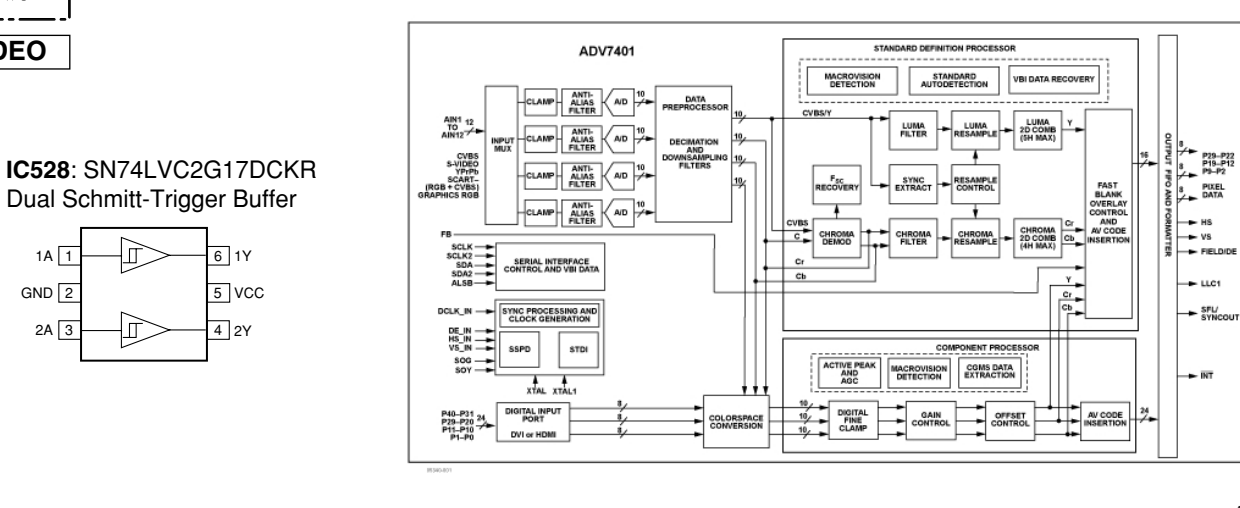
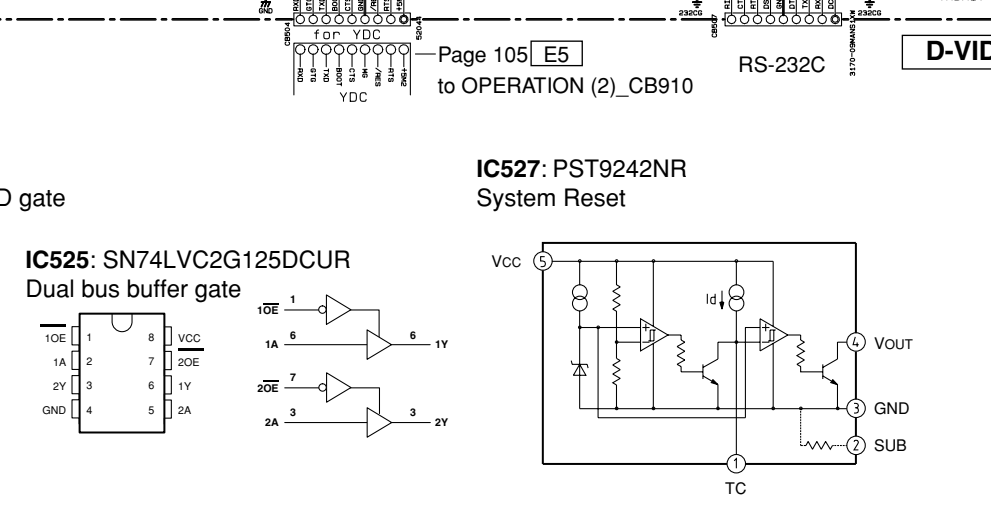
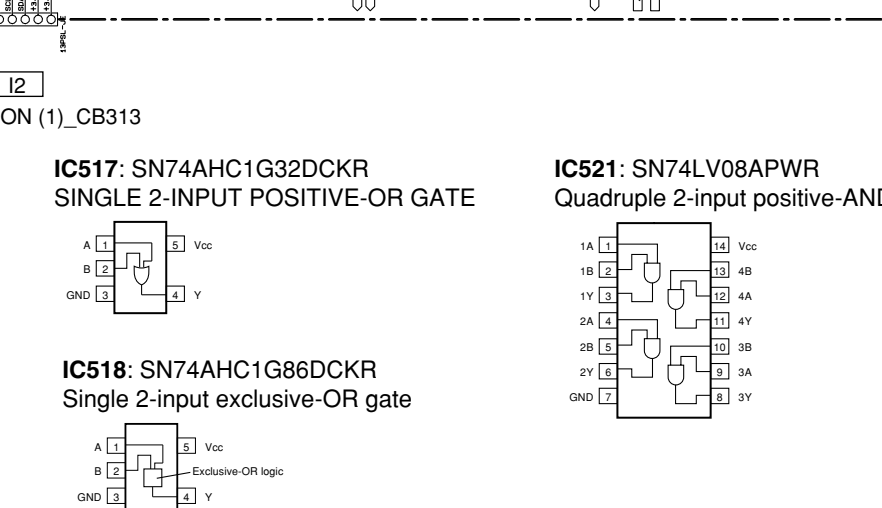
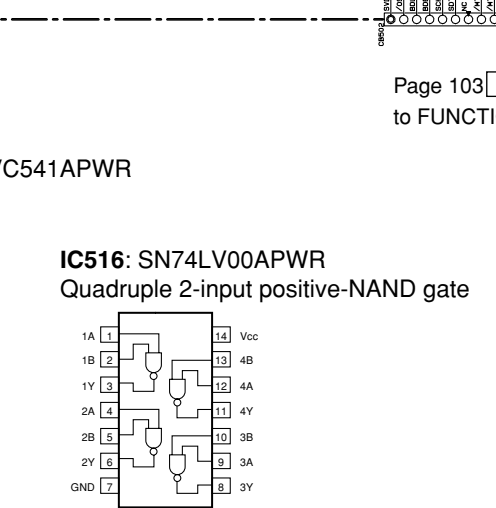
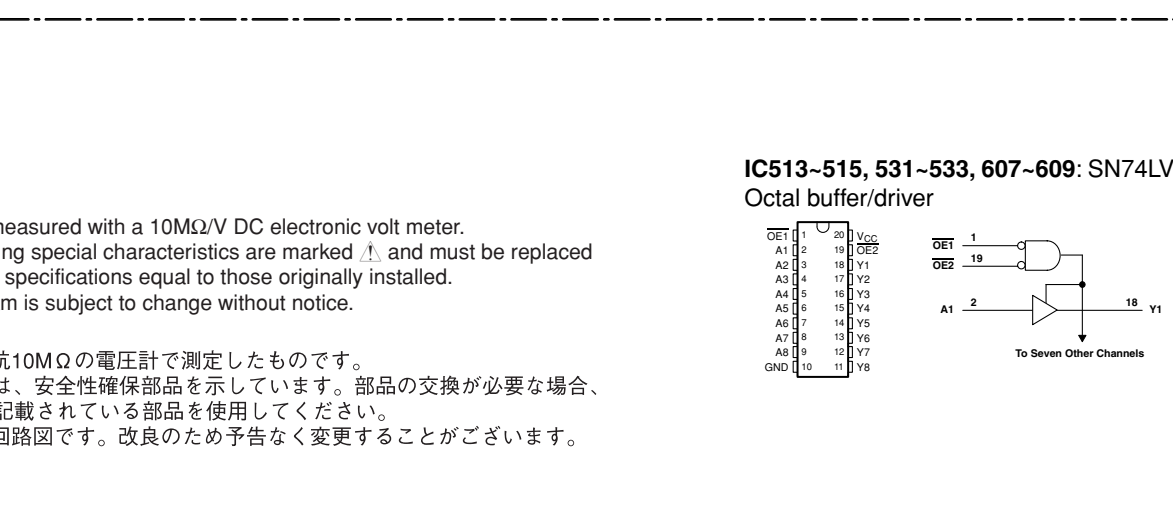
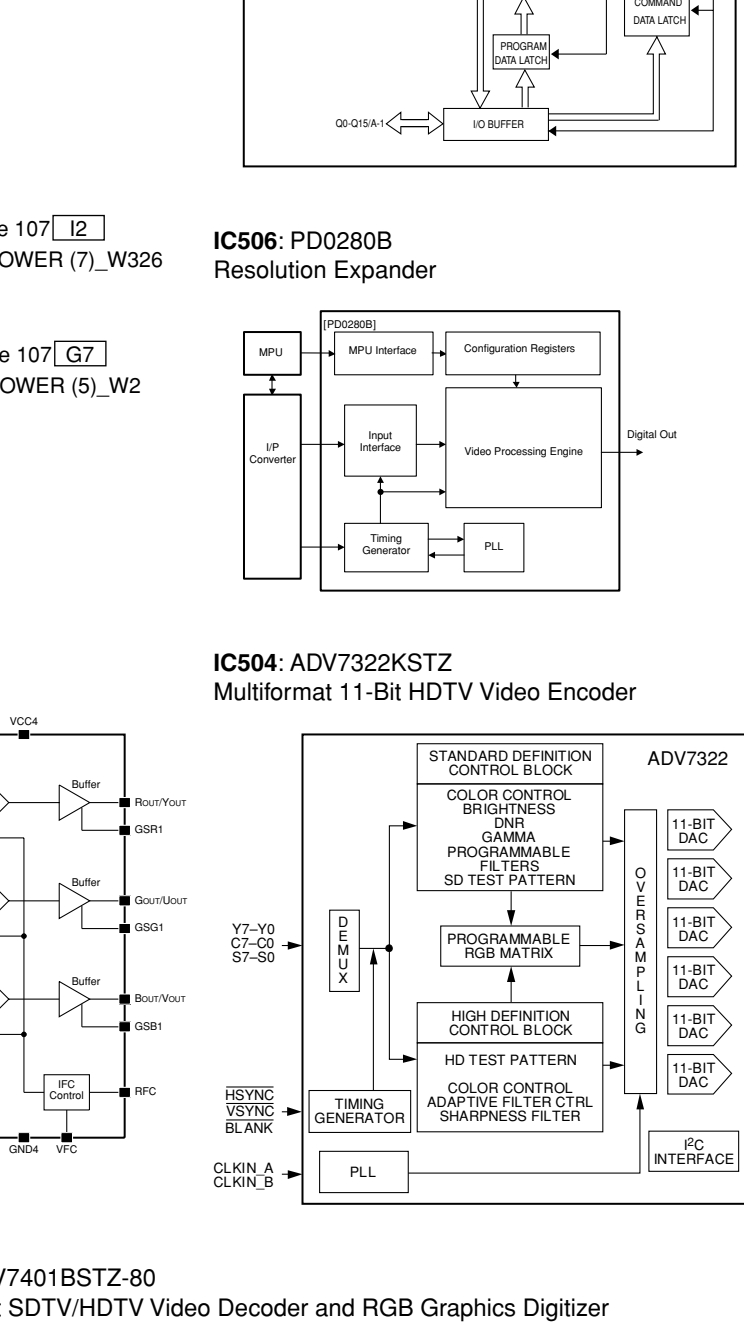
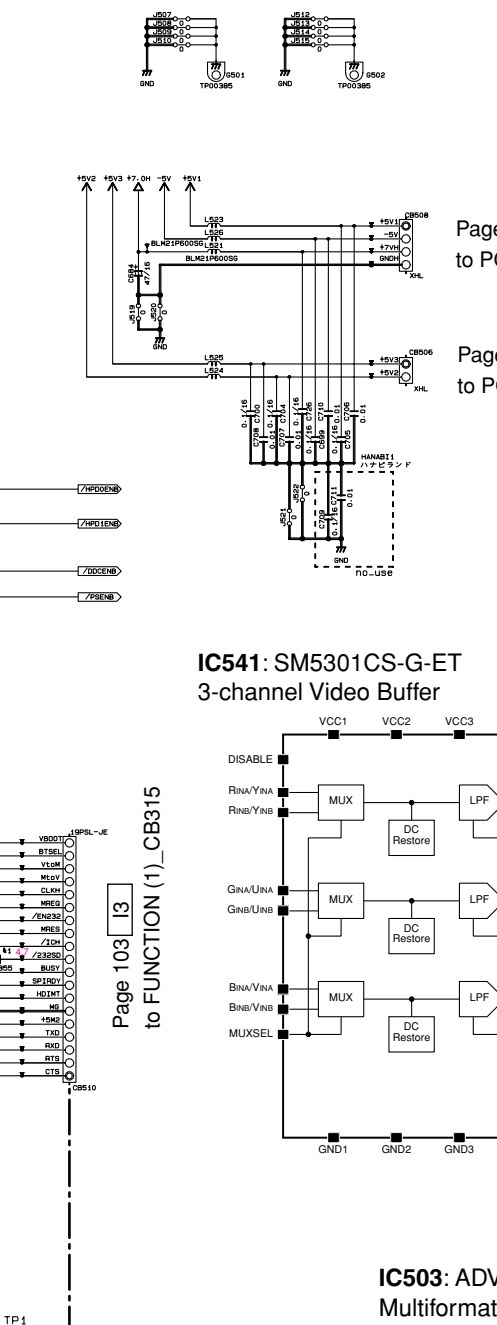
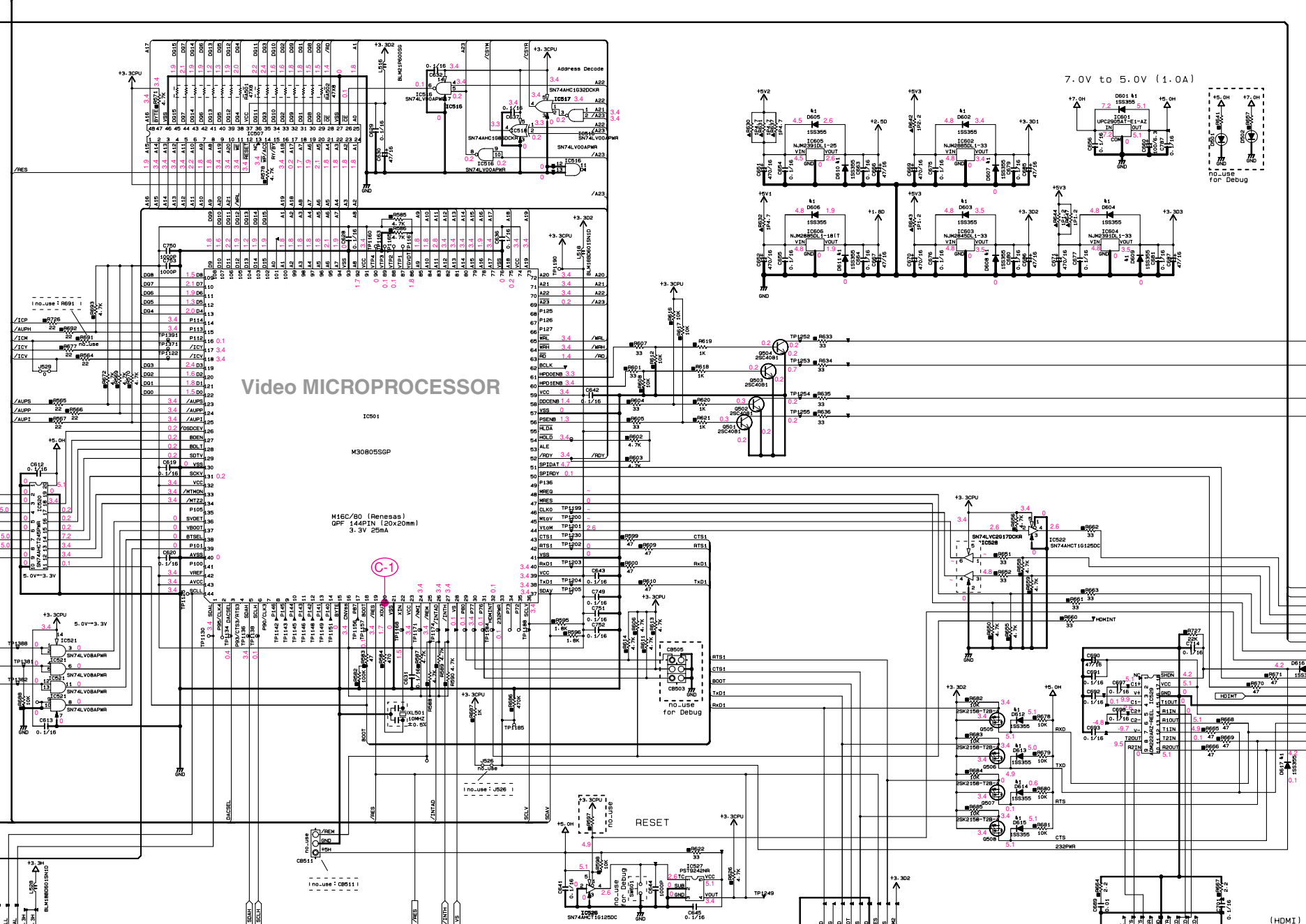
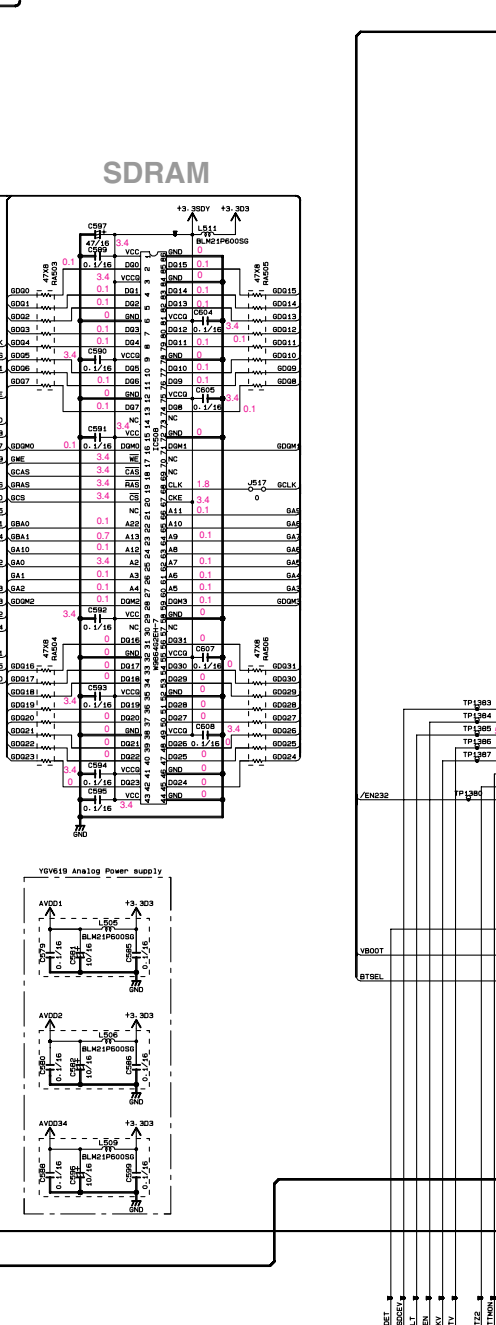
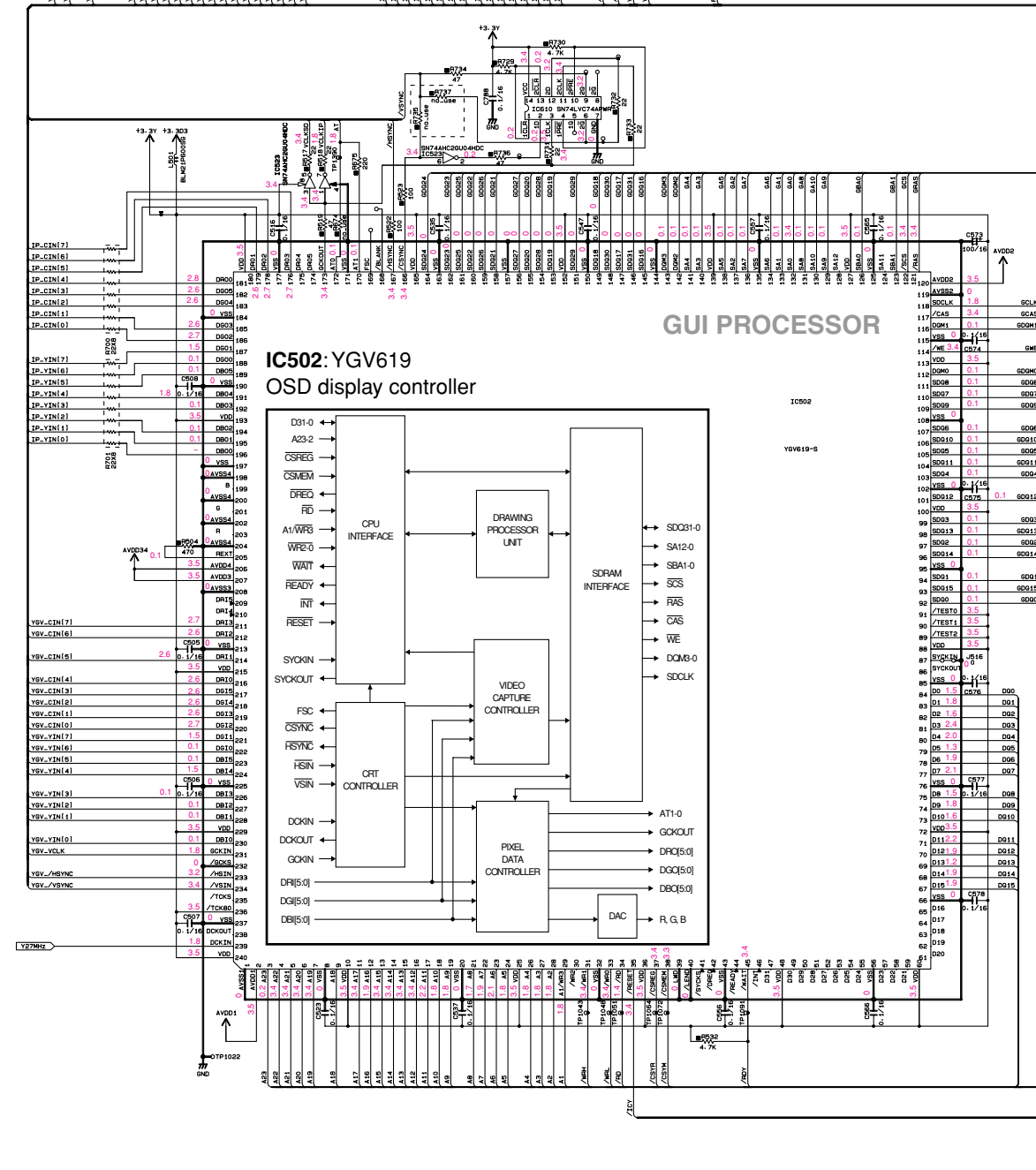
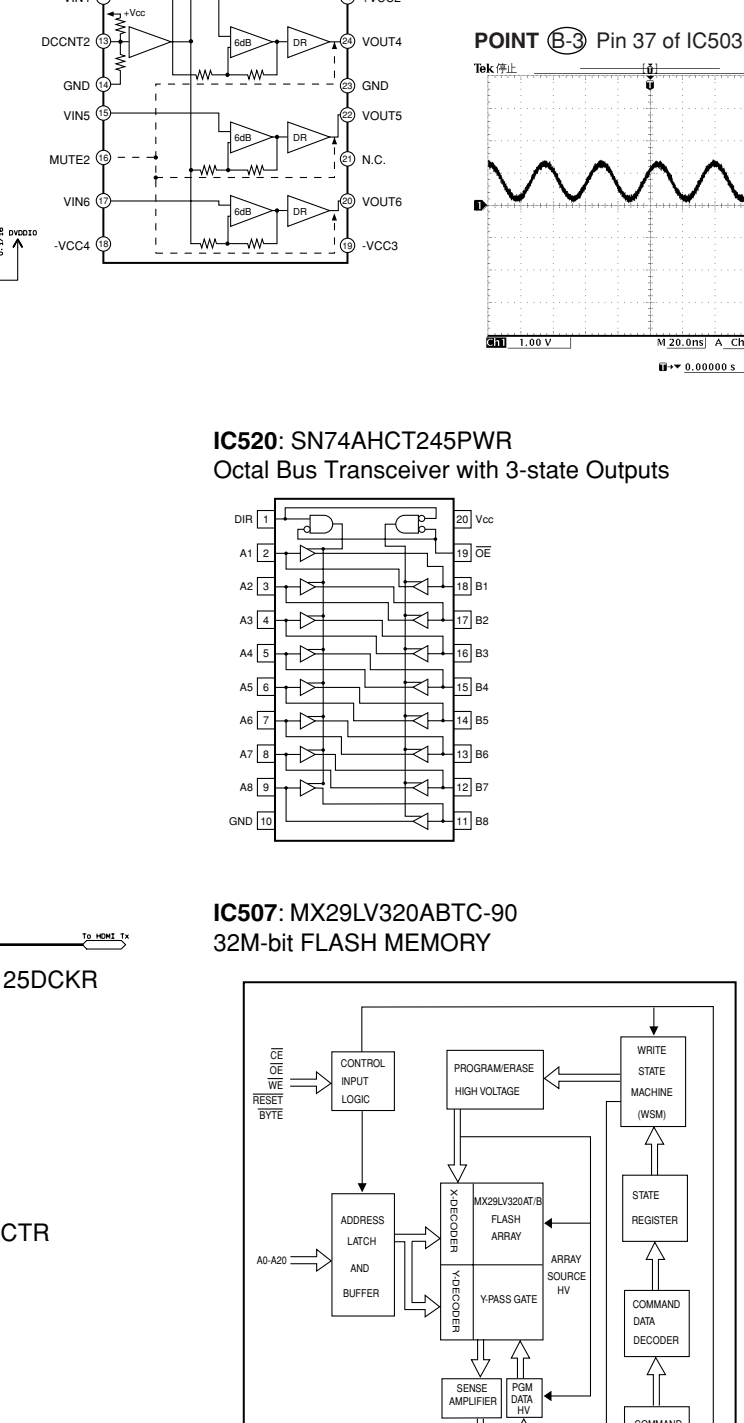
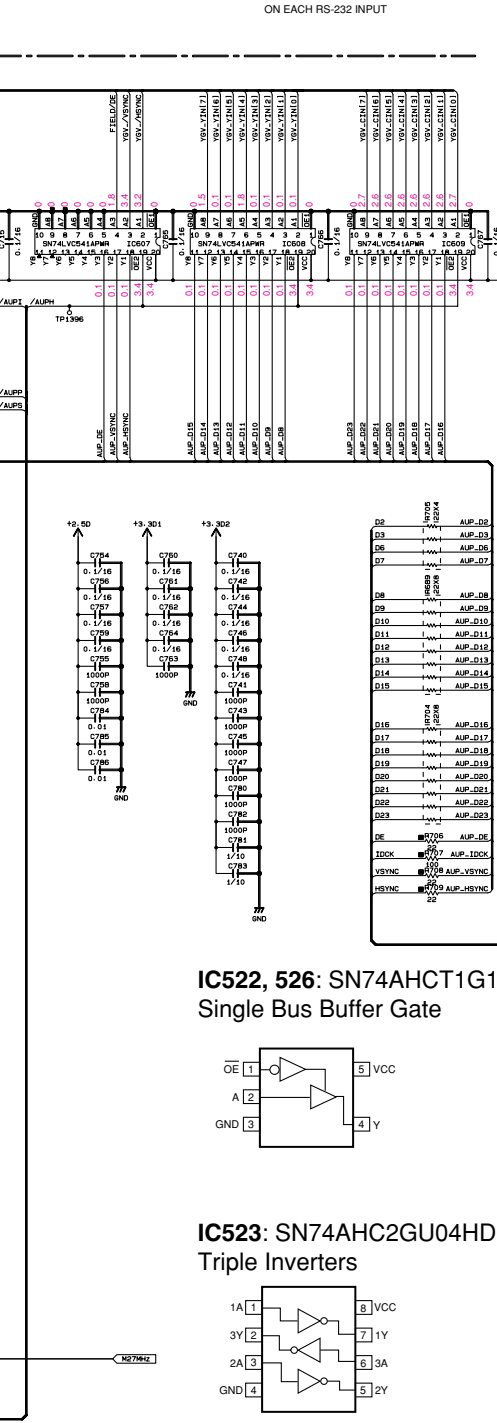
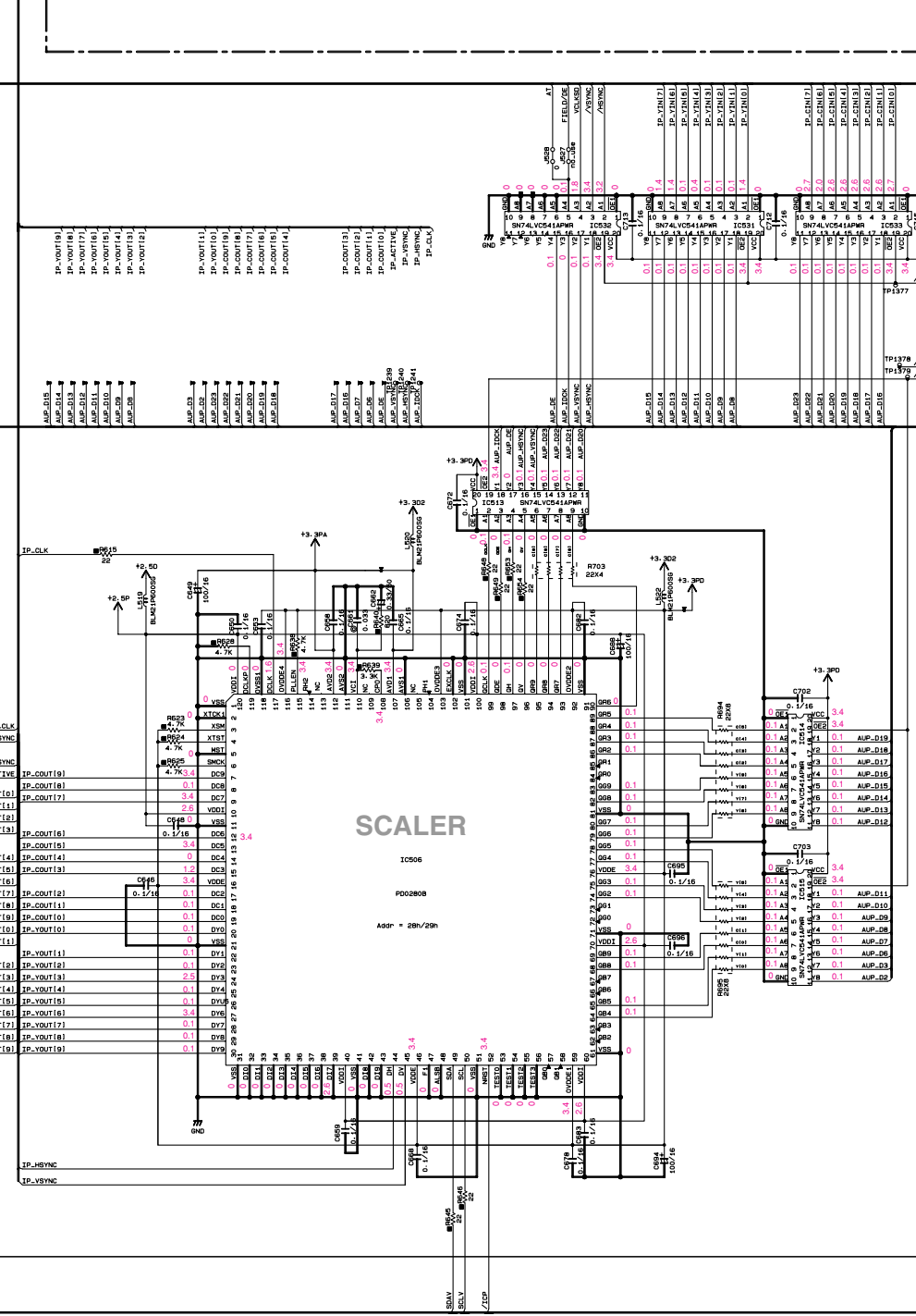
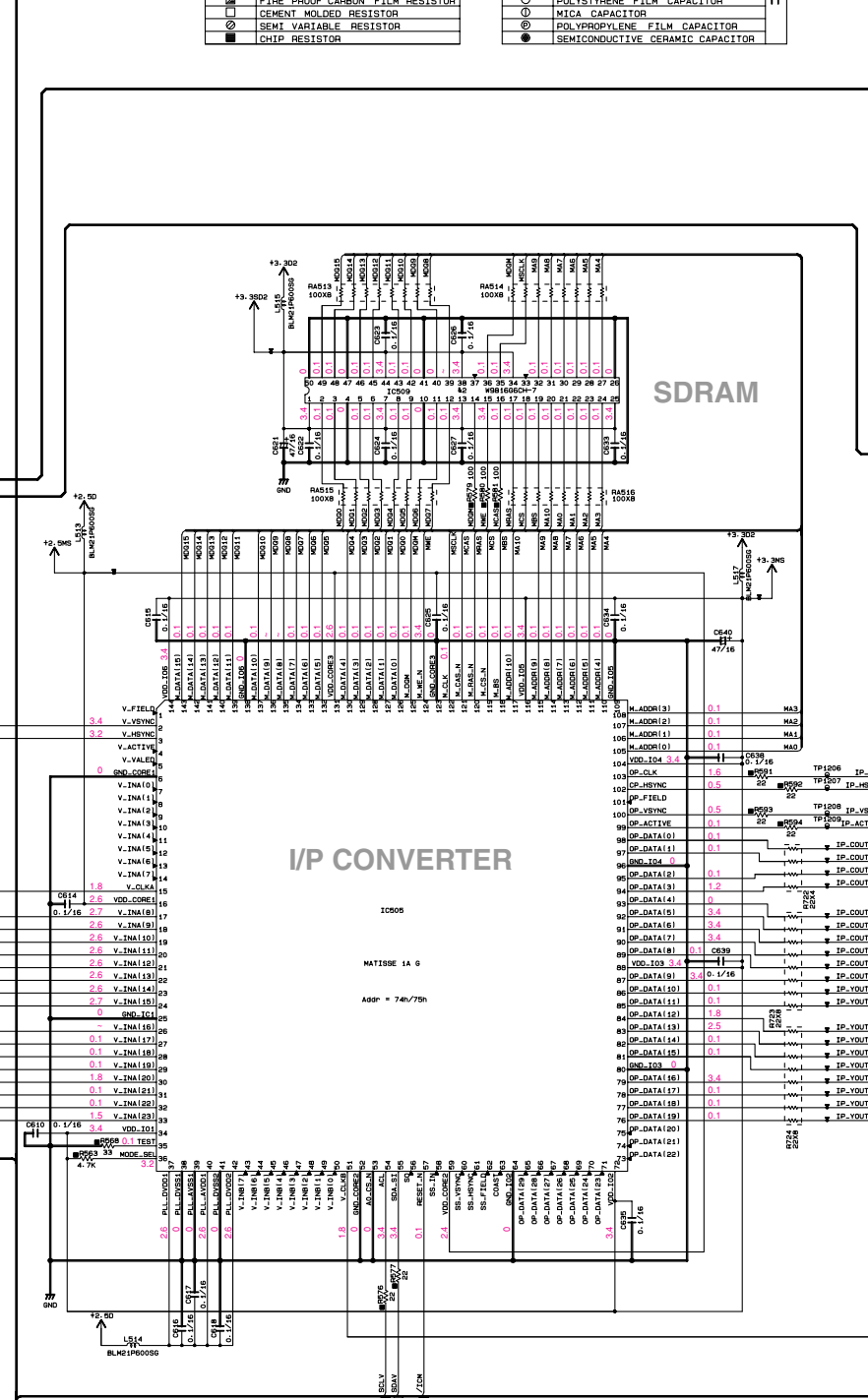
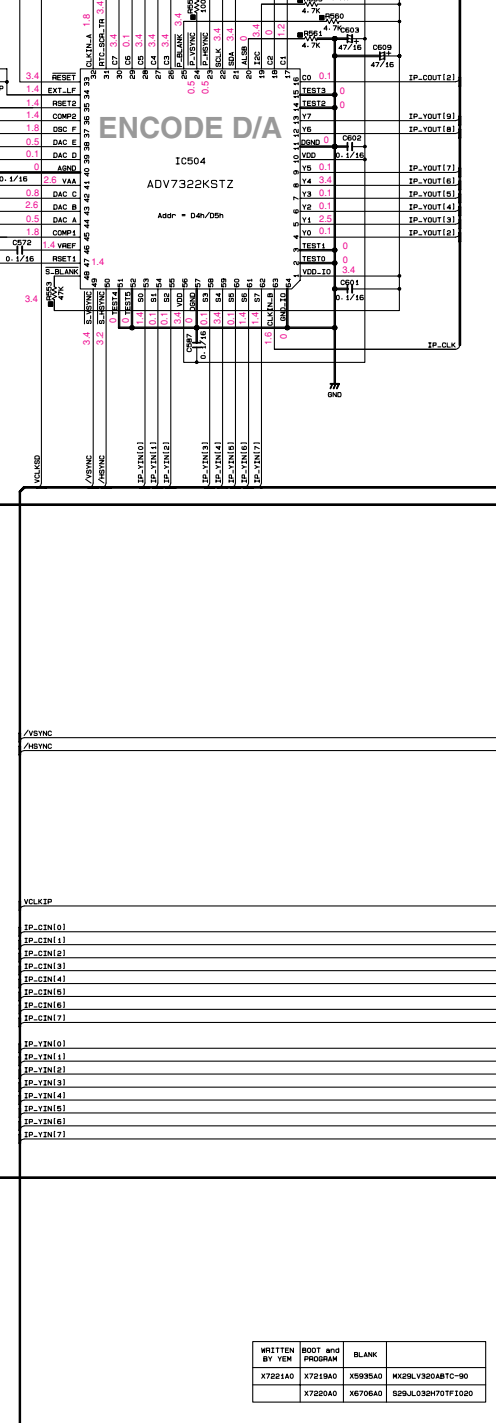
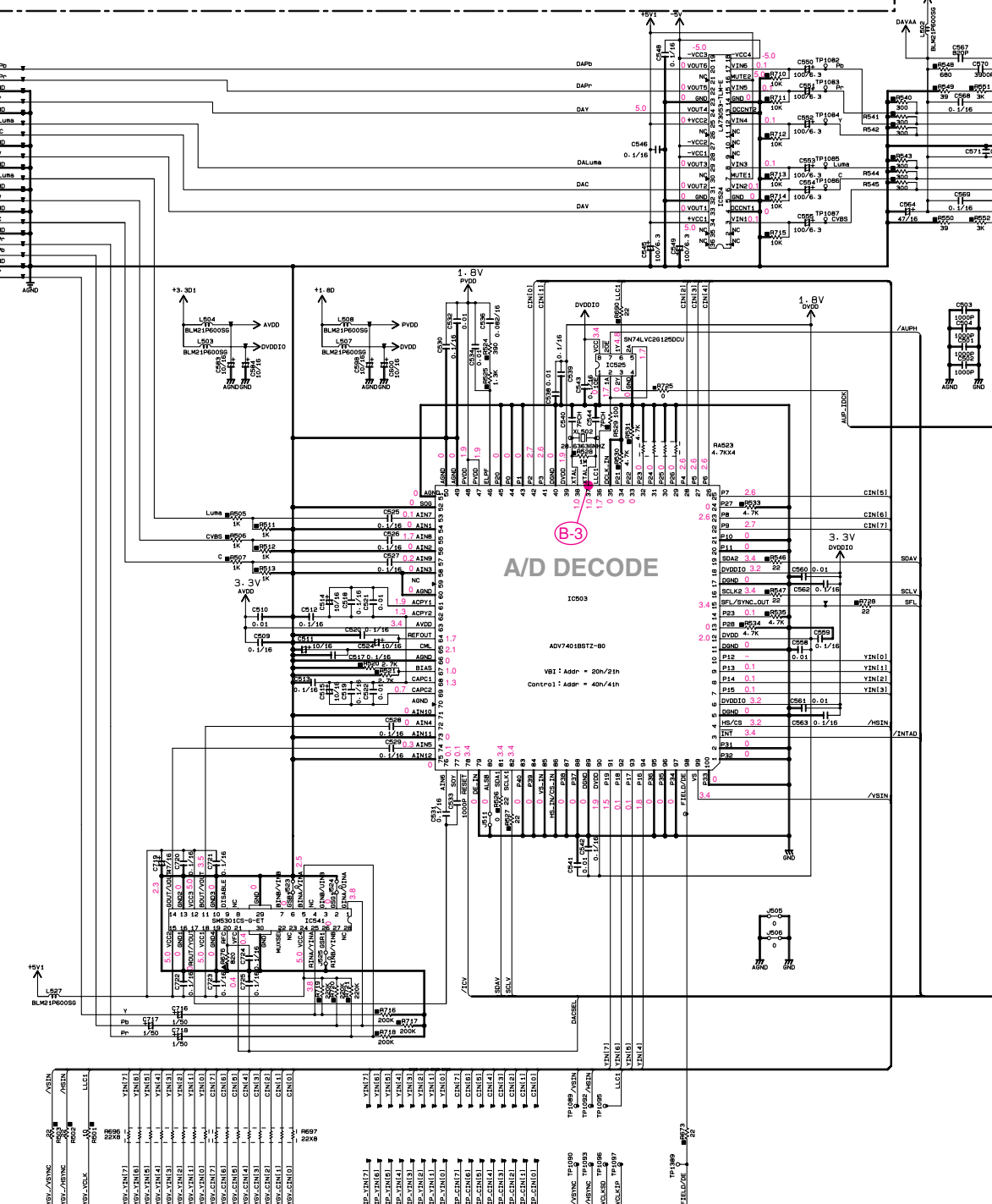
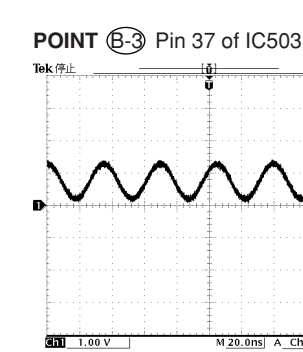
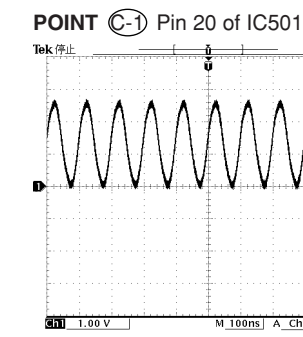
IC529: ADM222ARZ
High speed RS-232 line drivers/receivers



IC524: LA73053-TLM-E
Analog Amp



RX-V2600/DSX-A2600



Page 108 [42]
to INPUT (5)_CB315

Page 107 [12]
to POWER (7)_W326

Page 107 [G7]
to POWER (5)_W2

Page 103 [12]
to FUNCTION (1)_CB313

Page 105 [E5]
to OPERATION (2)_CB910



Page 103 [L8]
to FUNCTION (1)_CB315

- * All voltages are measured with a 10M Ω /V DC electronic volt meter.
- * Components having special characteristics are marked with a triangle Δ , and must be replaced with parts having specifications equal to those originally installed.
- * Schematic diagram is subject to change without notice.
- 電圧は、内部抵抗10M Ω の電圧計で測定したものです。
- Δ 印のある部品は、安全性確保部品を示しています。部品の交換が必要な場合、パーツリストに記載されている部品を使用してください。
- 本回路図は標準回路図です。改良のため予告なく変更することがございます。

PARTS LIST

■ ELECTRICAL PARTS

■ WARNING

- Components having special characteristics are marked  and must be replaced with parts having specifications equal to those originally installed.
- 印のある部分は、安全確保部品を示しています。部品の交換が必要な場合、パーツリストに記載されている部品を使用してください。
- 部品価格ランクは、予告なく変更することがあります。

ABBREVIATIONS IN THIS LIST ARE AS FOLLOWS:

C.A.EL.CHP	: CHIP ALUMI.ELECTROLYTIC CAP	L.EMIT	: LIGHT EMITTING MODULE
C.CE	: CERAMIC CAP	LED.DSPLY	: LED DISPLAY
C.CE.ARRAY	: CERAMIC CAP ARRAY	LED.INFRD	: LED,INFRARED
C.CE.CHP	: CHIP CERAMIC CAP	MODUL.RF	: MODULATOR,RF
C.CE.ML	: MULTILAYER CERAMIC CAP	PHOT.CPL	: PHOTO COUPLER
C.CE.M.CHP	: CHIP MULTILAYER CERAMIC CAP	PHOT.INTR	: PHOTO INTERRUPTER
C.CE.SAFTY	: RECOGNIZED CERAMIC CAP	PHOT.RFLCT	: PHOTO REFLECTOR
C.CE.TUBLR	: CERAMIC TUBULAR CAP	PIN.TEST	: PIN,TEST POINT
C.CE.SMI	: SEMI CONDUCTIVE CERAMIC CAP	PLST.RIVET	: PLASTIC RIVET
C.EL	: ELECTROLYTIC CAP	R.ARRAY	: RESISTOR ARRAY
C.MICA	: MICA CAP	R.CAR.	: CARBON RESISTOR
C.ML.FLM	: MULTILAYER FILM CAP	R.CAR.CHP	: CHIP RESISTOR
C.MP	: METALLIZED PAPER CAP	R.CAR.FP	: FLAME PROOF CARBON RESISTOR
C.MYLAR	: MYLAR FILM CAP	R.FUS	: FUSABLE RESISTOR
C.MYLAR.ML	: MULTILAYER MYLAR FILM CAP	R.MTL.CHP	: CHIP METAL FILM RESISTOR
C.PAPER	: PAPER CAPACITOR	R.MTL.FLM	: METAL FILM RESISTOR
C.PLS	: POLYSTYRENE FILM CAP	R.MTL.OXD	: METAL OXIDE FILM RESISTOR
C.POL	: POLYESTER FILM CAP	R.MTL.PLAT	: METAL PLATE RESISTOR
C.POLY	: POLYETHYLENE FILM CAP	RSNR.CE	: CERAMIC RESONATOR
C.PP	: POLYPROPYLENE FILM CAP	RSNR.CRYS	: CRYSTAL RESONATOR
C.TNTL	: TANTALUM CAP	R.TW.CEM	: TWIN CEMENT FIXED RESISTOR
C.TNTL.CHP	: CHIP TANTALUM CAP	R.CEMENT	: CEMENT RESISTOR
C.TRIM	: TRIMMER CAP	SCR.BND.HD	: BIND HEAD B-TITE SCREW
CN	: CONNECTOR	SCR.BW.HD	: BW HEAD TAPPING SCREW
CN.BS.PIN	: CONNECTOR,BASE PIN	SCR.CUP	: CUP TITE SCREW
CN.CANNON	: CONNECTOR,CANNON	SCR.TERM	: SCREW TERMINAL
CN.DIN	: CONNECTOR,DIN	SCR.TR	: SCREW,TRANSISTOR
CN.FLAT	: CONNECTOR,FLAT CABLE	SUPRT.PCB	: SUPPORT,P.C.B.
CN.POST	: CONNECTOR,BASE POST	SURG.PRTCT	: SURGE PROTECTOR
COIL.MX.AM	: COIL,AM MIX	SW.TACT	: TACT SWITCH
COIL.AT.FM	: COIL,FM ANTENNA	SW.LEAF	: LEAF SWITCH
COIL.DT.FM	: COIL,FM DETECT	SW.LEVER	: LEVER SWITCH
COIL.MX.FM	: COIL,FM MIX	SW.MICRO	: MICRO SWITCH
COIL.OUTPT	: OUTPUT COIL	SW.PUSH	: PUSH SWITCH
DIOD.ARRAY	: DIODE ARRAY	SW.RT.ENC	: ROTARY ENCODER
DIODE.BRG	: DIODE BRIDGE	SW.RT.MTR	: ROTARY SWITCH WITH MOTOR
DIODE.CHP	: CHIP DIODE	SW.RT	: ROTARY SWITCH
DIODE.VAR	: VARACTOR DIODE	SW.SLIDE	: SLIDE SWITCH
DIOD.Z.CHP	: CHIP ZENER DIODE	TERM.SP	: SPEAKER TERMINAL
DIODE.ZENR	: ZENER DIODE	TERM.WRAP	: WRAPPING TERMINAL
DSCR.CE	: CERAMIC DISCRIMINATOR	THRMST.CHP	: CHIP THERMISTOR
FER.BEAD	: FERRITE BEADS	TR.CHP	: CHIP TRANSISTOR
FER.CORE	: FERRITE CORE	TR.DGT	: DIGITAL TRANSISTOR
FET.CHP	: CHIP FET	TR.DGT.CHP	: CHIP DIGITAL TRANSISTOR
FL.DSPLY	: FLUORESCENT DISPLAY	TRANS	: TRANSFORMER
FLTR.CE	: CERAMIC FILTER	TRANS.PULS	: PULSE TRANSFORMER
FLTR.COMB	: COMB FILTER MODULE	TRANS.PWR	: POWER TRANSFORMER ASS'Y
FLTR.LC.RF	: LC FILTER,EMI	TUNER.AM	: TUNER PACK,AM
GND.MTL	: GROUND PLATE	TUNER.FM	: TUNER PACK,FM
GND.TERM	: GROUND TERMINAL	TUNER.PK	: FRONT-ENDTUNER PACK
HOLDER.FUS	: FUSE HOLDER	VR	: ROTARY POTENTIOMETER
IC.PRTCT	: IC PROTECTOR	VR.MTR	: POTENTIOMETER WITH MOTOR
JUMPER.CN	: JUMPER CONNECTOR	VR.SW	: POTENTIOMETER WITH ROTARY SW
JUMPER.TST	: JUMPER,TEST POINT	VR.SLIDE	: SLIDE POTENTIOMETER
L.DTCT	: LIGHT DETECTING MODULE	VR.TRIM	: TRIMMER POTENTIOMETER

P.C.B. DSP

Ref No.	Part No.	Description	Remarks	Markets	部 品 名	Rank	
	WG078600	P. C. B.	DSP	J	P C B D S P		
	WG078700	P. C. B.	DSP	UC	P C B D S P		
	WG078800	P. C. B.	DSP	RTKABGL	P C B D S P		
* * * *	CB1	WE161800	CN		UC	シリアルバスコネクタ	
	CB2	VF982300	CN. BS. PIN			F F Cコネクタ	01
	CB3	VB858700	CN. BS. PIN			ベースピン	01
	CB4-5	V9356900	CN			J Eコネクタプラグ	
	CB21	V9356900	CN			J Eコネクタプラグ	
	CB22	VO044900	CN. BS. PIN			F F Cコネクタ	01
	C5-6	US035100	C. CE. CHIP		UC	チップセラコン	01
	C7	US060500	C. CE. CHIP		UC	チップセラコン	01
	C8	US035100	C. CE. CHIP		UC	チップセラコン	01
	C9	US060500	C. CE. CHIP		UC	チップセラコン	01
	C10-16	US035100	C. CE. CHIP		UC	チップセラコン	01
	C17	US061470	C. CE. CHIP		UC	チップセラコン	01
	C20	US061470	C. CE. CHIP		UC	チップセラコン	01
	C23	US061470	C. CE. CHIP		UC	チップセラコン	01
	C24-25	US035100	C. CE. CHIP			チップセラコン	01
	C26	US135100	C. CE. CHIP			チップセラコン	01
	C29	US061470	C. CE. CHIP			チップセラコン	01
	C30	US061470	C. CE. CHIP			チップセラコン	01
	C31-33	US061220	C. CE. CHIP			チップセラコン	01
	C34-42	US135100	C. CE. CHIP			チップセラコン	01
	C43-45	UR237220	C. EL			ケミコン	
	C46	UU238330	C. EL			ケミコン F W	
	C47	UR237470	C. EL			ケミコン	
	C48	US135100	C. CE. CHIP			チップセラコン	01
	C49	UR237470	C. EL			ケミコン	
	C50-52	US135100	C. CE. CHIP			チップセラコン	01
	C53	UR237220	C. EL			ケミコン	
	C54-55	US135100	C. CE. CHIP			チップセラコン	01
	C57	US135100	C. CE. CHIP			チップセラコン	01
	C58	UU238100	C. EL			ケミコン	
	C59	UR218100	C. EL			ケミコン	
	C60	US135100	C. CE. CHIP			チップセラコン	01
	C62-63	US135100	C. CE. CHIP			チップセラコン	01
	C64	VE326000	C. MYLAR			マイラーコン	01
	C65	VE326600	C. MYLAR			マイラーコン	01
	C66	UA654220	C. MYLAR			マイラーコン	01
	C68	UR237470	C. EL			ケミコン	
	C69	US135100	C. CE. CHIP			チップセラコン	01
	C70	US135100	C. CE. CHIP			チップセラコン	01
	C71	UR218100	C. EL			ケミコン	
	C72	US135100	C. CE. CHIP			チップセラコン	01
	C74-75	US135100	C. CE. CHIP			チップセラコン	01
	C76	UU238100	C. EL			ケミコン	
	C78	US135100	C. CE. CHIP			チップセラコン	01
	C80	UU297100	C. EL			ケミコン F W	
	C81	US061470	C. CE. CHIP			チップセラコン	01
	C82	US135100	C. CE. CHIP			チップセラコン	01
	C83	UU297100	C. EL			ケミコン F W	
	C84	UU238100	C. EL			ケミコン	
	C85-89	US135100	C. CE. CHIP			チップセラコン	01
	C90	US063100	C. CE. CHIP			チップセラコン	01

* New Parts * 新規部品

P.C.B. DSP

Ref No.	Part No.	Description	Remarks	Markets	部 品 名	Rank
C91-93	US135100	C. CE. CHP	0. 1uF 16V		チップセラコン	01
C94	UU219100	C. EL	1000uF 6. 3V		ケミコン FW	01
C95	UU297100	C. EL	10uF 100V		ケミコン FW	
C97	UR237100	C. EL	10uF 16V		ケミコン	
C98-99	US135100	C. CE. CHP	0. 1uF 16V		チップセラコン	01
C100-118	US135100	C. CE. CHP	0. 1uF 16V		チップセラコン	01
C119	UR237100	C. EL	10uF 16V		ケミコン	
C120	US126100	C. CE. CHP	1uF 10V		チップセラコン	01
C121-122	US135100	C. CE. CHP	0. 1uF 16V		チップセラコン	01
C125	US135100	C. CE. CHP	0. 1uF 16V		チップセラコン	01
C126	US062100	C. CE. CHP	100pF 50V B		チップセラコン	01
C129-131	US135100	C. CE. CHP	0. 1uF 16V		チップセラコン	01
C132	UR237100	C. EL	10uF 16V		ケミコン	
C133-138	US135100	C. CE. CHP	0. 1uF 16V		チップセラコン	01
C143-146	US135100	C. CE. CHP	0. 1uF 16V		チップセラコン	01
C147-153	US061470	C. CE. CHP	47pF 50V B		チップセラコン	01
C154-170	US135100	C. CE. CHP	0. 1uF 16V		チップセラコン	01
C171	UR238100	C. EL	100uF 16V		ケミコン	
C172	UU238100	C. EL	100uF 16V		ケミコン	
C173-174	US135100	C. CE. CHP	0. 1uF 16V		チップセラコン	01
C175-177	US063100	C. CE. CHP	1000pF 50V B		チップセラコン	01
C178-179	US135100	C. CE. CHP	0. 1uF 16V		チップセラコン	01
C180-182	US063100	C. CE. CHP	1000pF 50V B		チップセラコン	01
C183-184	US135100	C. CE. CHP	0. 1uF 16V		チップセラコン	01
C185	UU238100	C. EL	100uF 16V		ケミコン	
C186	US035100	C. CE. CHP	0. 1uF 16V B		チップセラコン	01
C187	UR237100	C. EL	10uF 16V		ケミコン	
C188	UR237220	C. EL	22uF 16V		ケミコン	
C189-190	US135100	C. CE. CHP	0. 1uF 16V		チップセラコン	01
C191	UU267100	C. EL	10uF 50V		ケミコン FW	01
C192	US135100	C. CE. CHP	0. 1uF 16V		チップセラコン	01
C193	UU267100	C. EL	10uF 50V		ケミコン FW	01
C194-198	US135100	C. CE. CHP	0. 1uF 16V		チップセラコン	01
C199	UR237220	C. EL	22uF 16V		ケミコン	
C200	US135100	C. CE. CHP	0. 1uF 16V		チップセラコン	01
C201	UU267100	C. EL	10uF 50V		ケミコン FW	01
C202	US135100	C. CE. CHP	0. 1uF 16V		チップセラコン	01
C203	UU267100	C. EL	10uF 50V		ケミコン FW	01
C204	US135100	C. CE. CHP	0. 1uF 16V		チップセラコン	01
C205-208	UA652100	C. MYLAR	100pF 50V J		マイラーコン	01
C209	US135100	C. CE. CHP	0. 1uF 16V		チップセラコン	01
C210	US063470	C. CE. CHP	4700pF 50V B		チップセラコン	01
C211-212	UA654220	C. MYLAR	0. 022uF 50V J		マイラーコン	01
C213	US062470	C. CE. CHP	470pF 50V B		チップセラコン	01
C214	US135100	C. CE. CHP	0. 1uF 16V		チップセラコン	01
C215-218	UA652470	C. MYLAR	470pF 50V J		マイラーコン	01
C219	UR237100	C. EL	10uF 16V		ケミコン	
C220-221	US135100	C. CE. CHP	0. 1uF 16V		チップセラコン	01
C222-224	UU267100	C. EL	10uF 50V		ケミコン FW	01
C225-227	US135100	C. CE. CHP	0. 1uF 16V		チップセラコン	01
C228	UU267100	C. EL	10uF 50V		ケミコン FW	01
C229	US135100	C. CE. CHP	0. 1uF 16V		チップセラコン	01
C230	UR237100	C. EL	10uF 16V		ケミコン	
C231	UR237220	C. EL	22uF 16V		ケミコン	

* New Parts * 新規部品

P.C.B. DSP

Ref No.	Part No.	Description	Remarks	Markets	部 品 名	Rank
* C232-233	UU267220	C. EL	22uF 50V		ケミコン F W	01
C234-235	US135100	C. CE. CHP	0.1uF 16V		チップセラコン	01
C236-237	UR237470	C. EL	47uF 16V		ケミコン	
C238-241	US135100	C. CE. CHP	0.1uF 16V		チップセラコン	01
C242-243	US064100	C. CE. CHP	0.01uF 50V B	UC	チップセラコン	01
C244	US063470	C. CE. CHP	4700pF 50V B		チップセラコン	01
C245	US062470	C. CE. CHP	470pF 50V B		チップセラコン	01
C246-251	US135100	C. CE. CHP	0.1uF 16V		チップセラコン	01
C252	UR237100	C. EL	10uF 16V		ケミコン	
C253	UR837100	C. EL	10uF 16V	UC	ケミコン	01
C254	US135100	C. CE. CHP	0.1uF 16V		チップセラコン	01
C256	UR837470	C. EL	47uF 16V	UC	ケミコン	01
C257	US135100	C. CE. CHP	0.1uF 16V	UC	チップセラコン	01
C258	US135100	C. CE. CHP	0.1uF 16V		チップセラコン	01
C259-260	UR837470	C. EL	47uF 16V	UC	ケミコン	01
C261-263	US135100	C. CE. CHP	0.1uF 16V		チップセラコン	01
C264-265	UR837100	C. EL	10uF 16V	UC	ケミコン	01
C268-269	US135100	C. CE. CHP	0.1uF 16V	UC	チップセラコン	01
C270-271	UR837470	C. EL	47uF 16V	UC	ケミコン	01
C272	US135100	C. CE. CHP	0.1uF 16V		チップセラコン	01
C274	UU238100	C. EL	100uF 16V		ケミコン	
C279	US135100	C. CE. CHP	0.1uF 16V		チップセラコン	01
C283-288	US135100	C. CE. CHP	0.1uF 16V		チップセラコン	01
C289-294	UU238100	C. EL	100uF 16V		ケミコン	
C295-299	US135100	C. CE. CHP	0.1uF 16V		チップセラコン	01
C300	US135100	C. CE. CHP	0.1uF 16V		チップセラコン	01
C301-306	UU267100	C. EL	10uF 50V		ケミコン F W	01
C307-312	UU238100	C. EL	100uF 16V		ケミコン	
C313-318	US135100	C. CE. CHP	0.1uF 16V		チップセラコン	01
C319-323	UA652560	C. MYLAR	560pF 50V J		マイラーコン	02
C324-328	UA653680	C. MYLAR	6800pF 50V J		マイラーコン	01
C329-330	UA654560	C. MYLAR	0.056uF 50V J		マイラーコン	
C331-334	UA653680	C. MYLAR	6800pF 50V J		マイラーコン	01
C335-339	UA652390	C. MYLAR	390pF 50V J		マイラーコン	01
C340-341	UA654150	C. MYLAR	0.015uF 50V J		マイラーコン	01
C342-350	UA652390	C. MYLAR	390pF 50V J		マイラーコン	01
C351-352	UA654150	C. MYLAR	0.015uF 50V J		マイラーコン	01
C353-356	UA652390	C. MYLAR	390pF 50V J		マイラーコン	01
C368-374	UU267100	C. EL	10uF 50V		ケミコン F W	01
C375-376	UR237100	C. EL	10uF 16V		ケミコン	
C377-378	UU267100	C. EL	10uF 50V		ケミコン F W	01
C379-390	US135100	C. CE. CHP	0.1uF 16V		チップセラコン	01
C391-396	UR237470	C. EL	47uF 16V		ケミコン	
C399	US061470	C. CE. CHP	47pF 50V B		チップセラコン	01
C400	US061470	C. CE. CHP	47pF 50V B		チップセラコン	01
C401-409	US135100	C. CE. CHP	0.1uF 16V		チップセラコン	01
C411-412	US135100	C. CE. CHP	0.1uF 16V		チップセラコン	01
C413-419	US163100	C. CE. CHP	1000pF 50V		チップセラコン	01
C423	US063100	C. CE. CHP	1000pF 50V B		チップセラコン	
C426	UU238100	C. EL	100uF 16V	UC	ケミコン	
C531-534	UA653270	C. MYLAR	2700pF 50V J	UC	マイラーコン	01
C535-548	US061470	C. CE. CHP	47pF 50V B		チップセラコン	01
C551-573	US135100	C. CE. CHP	0.1uF 16V		チップセラコン	01
C574-594	US163100	C. CE. CHP	1000pF 50V		チップセラコン	01

* New Parts * 新規部品

P.C.B. DSP

Ref No.	Part No.	Description	Remarks	Markets	部 品 名	Rank
C595-599	US135100	C. CE. CHP	0.1uF 16V		チップセラコン	01
C600-608	US135100	C. CE. CHP	0.1uF 16V		チップセラコン	01
D1-3	WE674800	DIODE	AVRL161A1R1NTB	UC	チップバリスタ	01
D5	VT332900	DIODE	1SS355		ダイオード	01
D7	VT332900	DIODE	1SS355		ダイオード	01
D13	VT332900	DIODE	1SS355		ダイオード	01
D14-19	VV220700	DIODE. SHOT	RB501V-40		ショットキーダイオード	01
D20-23	VV220700	DIODE. SHOT	RB501V-40		ショットキーダイオード	01
IC501	X3936A00	IC	SN74LVU04APWR		ロジックIC	
IC502	X3018A00	IC	SN74AHCT00PWR NAND		ロジックIC	01
IC504-505	XN518A00	IC	SN74LS151NSR 8-1 S		ロジックIC	04
* IC506	X6989A00	IC	LC89057W-VF4A-E		IC	
IC507	X5945A00	IC	P0012FZ01ZPH		電源IC	05
IC508	XZ003A00	IC	P0025EZ5MZP 2.5V		電源IC	03
IC509	X6051A00	IC	UPC29M33T-E1-AZ		電源IC	04
IC510	X2080A00	IC	SN74AHCT1G32DCKR		ロジックIC	01
IC511	X3824A00	IC	SN74AHCT08PWR		ロジックIC	01
IC513	X3693A00	IC	SN74LV245APWR TRAN		ロジックIC	
IC514	X6123A00	IC	SN74LV157APWR		ロジックIC	02
IC515	X2590B00	IC	W9816G6CH-7 SDRAM		メモリIC 16M	06
IC516	X3567A00	IC	YSS930-SZ		IC	08
IC517	XV077B00	IC	MSM514260E-60JS		メモリIC 4M	07
IC518	X3567A00	IC	YSS930-SZ		IC	08
IC520	X3505A00	IC	NUM2068MD-TE2		アンプIC	02
* IC525-528	X7133A00	IC	SN412008DRE4		IC アナログ	
IC529-530	X3505A00	IC	NUM2068MD-TE2		アンプIC	02
IC532	X6123A00	IC	SN74LV157APWR		ロジックIC	02
IC533-534	XV894A00	IC	TC74VHC153FT MULTI1		ロジックIC	03
IC539-540	X3505A00	IC	NUM2068MD-TE2		アンプIC	02
* IC541	X6231A00	IC	AK4384ET	UC	IC	
* IC542	X7016A00	IC	MX29LV400BTC-70G		メモリIC	
* IC550	X6227B00	IC	F2602E-01	UC	CPU/周辺IC	
IC551	X2080A00	IC	SN74AHCT1G32DCKR	UC	ロジックIC	01
IC552	X3693A00	IC	SN74LV245APWR TRAN	UC	ロジックIC	
IC560	X5482A00	IC	NE5532DR OP AMP	UC	アンプIC	
* IC564-569	X6873A00	IC	PCM1791ADBR		D/Aコンバーター	
* IC570	X6872A00	IC	PCM1804DBR		A/Dコンバーター	
IC571	X3833A00	IC	SN74AHC1G08DCKR		ロジックIC	01
* PJ1	WF860300	JACK. PIN	LPR6520-G085FM	J	ピンジャック 3P	
* PJ1	WF860400	JACK. PIN	LPR6520-G080FM	UCRTKABGL	ピンジャック 3P	
PN1	V9637500	PIN	L=70 #18		スタイルピン	
Q6	VD303700	TR	2SC3326 A, B		トランジスタ	01
Q19	VV655400	TR. DGT	DTC114EKA		デジタルトランジスタ	01
R1-2		R. CHP	0Ω 1/16W J	UC	チップ抵抗	
R3-4		R. CHP	100Ω 1/16W J	UC	チップ抵抗	
R5-6		R. CHP	1KΩ 1/16W J	UC	チップ抵抗	
R7		R. CHP	470Ω 1/16W J	UC	チップ抵抗	
R8		R. CHP	1MΩ 1/16W J	UC	チップ抵抗	
R9-19		R. CHP	47Ω 1/16W J	UC	チップ抵抗	
R20-25		R. CHP	100Ω 1/16W J	UC	チップ抵抗	
R41-42	HV753100	R. CAR. FP	1Ω 1/4W		不燃化カーボン抵抗	01
R52-53	V8070000	R. MTL. FLM	1Ω 1W		金属被膜抵抗	
R59	HV753100	R. CAR. FP	1Ω 1/4W		不燃化カーボン抵抗	01

* New Parts * 新規部品

P.C.B. DSP & P.C.B. FUNCTION

Ref No.	Part No.	Description	Remarks	Markets	部 品 名	Rank
R76	V8070000	R. MTL. FLM	1Ω 1W		金属被膜抵抗	
R98	HV753100	R. CAR. FP	1Ω 1/4W		不燃化カーボン抵抗	01
R246		R. CHP	10KΩ 1/16W J	UC	チップ抵抗	
R252-253	V8070100	R. MTL. FLM	2.2Ω 1W		金属被膜抵抗	
R263-266		R. CHP	47Ω 1/16W J	UC	チップ抵抗	
R273	HV753100	R. CAR. FP	1Ω 1/4W	UC	不燃化カーボン抵抗	01
R277-278		R. CHP	10KΩ 1/16W J	UC	チップ抵抗	
R280-283		R. MTL. CHP	3.3KΩ 1/16W D	UC	チップ金属被膜抵抗	
R288-289		R. CHP	47KΩ 1/16W J	UC	チップ抵抗	
R294-295		R. CHP	1KΩ 1/16W J	UC	チップ抵抗	
R296	HV753100	R. CAR. FP	1Ω 1/4W	UC	不燃化カーボン抵抗	01
R298	HV753100	R. CAR. FP	1Ω 1/4W	UC	不燃化カーボン抵抗	01
R365-370	HV753470	R. CAR. FP	4.7Ω 1/4W		不燃化カーボン抵抗	01
R371-374	V8070000	R. MTL. FLM	1Ω 1W		金属被膜抵抗	
R398-399	V8070000	R. MTL. FLM	1Ω 1W		金属被膜抵抗	
R549-552		R. CHP	100KΩ 1/16W J	JRTKABGL	チップ抵抗	
R573		R. CHP	10Ω 1/16W J	UC	チップ抵抗	
R971-974		R. CHP	1.8KΩ 1/16W J	UC	チップ抵抗	
U1	WB920900	CN. PHOT. SN	1P GP1FA513TZ0F		光ファイバデータ端子	03
U2	WB920900	CN. PHOT. SN	1P GP1FA513TZ0F		光ファイバデータ端子	03
U3	WB547900	CN. PHOT. SN	1P GP1FA513RZ0F		光ファイバ受信器	03
U4	WB547900	CN. PHOT. SN	1P GP1FA513RZ0F		光ファイバ受信器	03
U5	WB547900	CN. PHOT. SN	1P GP1FA513RZ0F		光ファイバ受信器	03
U6	WB547900	CN. PHOT. SN	1P GP1FA513RZ0F		光ファイバ受信器	03
* XL1	WE436500	RSNR. CRYST	45.1584M DSX840GA	UC	水晶振動子	
XL2	V6931900	RESONATOR	24.576MHz DS0751SV		水晶発振器	05
* * * * *	WG080000	P. C. B.	FUNCTION	J	P C B ファンクション	
	WG080100	P. C. B.	FUNCTION	UC	P C B ファンクション	
	WG080200	P. C. B.	FUNCTION	R	P C B ファンクション	
	WG080300	P. C. B.	FUNCTION	T	P C B ファンクション	
	WG080400	P. C. B.	FUNCTION	K	P C B ファンクション	
	WG080500	P. C. B.	FUNCTION	A	P C B ファンクション	
	WG080600	P. C. B.	FUNCTION	BG	P C B ファンクション	
	WG080700	P. C. B.	FUNCTION	L	P C B ファンクション	
CB301	VB858700	CN. BS. PIN	8P		ベースピン	01
CB303	VM929900	CN. BS. PIN	15P		F P Cコネクター	01
CB304	VO046000	CN. BS. PIN	31P		F F Cコネクター	03
CB305	VB858800	CN. BS. PIN	9P		ベースピン	01
CB306	LB919060	CN. BS. PIN	6P		ベース付ポスト	01
* CB307	V8810200	CN	JE 9P TE		J Eコネクター	02
* CB308	VU446000	CN	JE 15P TE		J E コネクタ	02
CB309-310	V8875600	CN	JE 13P TE		J Eコネクター	02
CB311	V7826400	CN	14P TE TUC SERIES		コネクタープラグ	
CB312	V7826100	CN	11P TE TUC SERIES		コネクタープラグ	01
CB313	V8875600	CN	JE 13P TE		J Eコネクター	02
CB314-315	V9357000	CN	JE 19P TE		J Eコネクター	
* CB316	VU446000	CN	JE 15P TE		J E コネクタ	02
CB317-319	V9357000	CN	JE 19P TE		J Eコネクター	
* CB601	VU443800	CN	JE 15P S		J Eコネクタープラグ	01
CB602	VB390100	CN. BS. PIN	5P		ベースピン	01
CB603	VB390500	CN. BS. PIN	9P		コネクターベースポスト	03

* New Parts * 新規部品

P.C.B. FUNCTION

Ref No.	Part No.	Description	Remarks	Markets	部 品 名	Rank
CB604	VQ047400	CN. BS. PIN	19P		F F Cコネクター	01
CB605	LB919040	CN. BS. PIN	4P		ベース付ポスト	01
CB606	VB389800	CN. BS. PIN	2P		ベースピン	01
CB607	VB390200	CN. BS. PIN	6P		コネクタベースポスト	01
CB608	LB918020	CN. BS. PIN	2P		ベース付ポスト	01
C301	UR239100	C. EL	1000uF 16V		ケミコン	
C303	US063100	C. CE. CHP	1000pF 50V B		チップセラコン	01
C304	UR067100	C. EL	10uF 50V		ケミコン	01
C305	WB165500	C. EL	0.33F 5.5V		ゴールドキャパシタ	
C306-307	UR219100	C. EL	1000uF 6.3V		ケミコン	
C308	US064100	C. CE. CHP	0.01uF 50V B		チップセラコン	01
C309	UR238100	C. EL	100uF 16V		ケミコン	
C310-326	US135100	C. CE. CHP	0.1uF 16V		チップセラコン	01
C327-334	UR266220	C. EL	2.2uF 50V		ケミコン	
C335	UR239100	C. EL	1000uF 16V		ケミコン	
C338	US064100	C. CE. CHP	0.01uF 50V B		チップセラコン	01
C339	UR266220	C. EL	2.2uF 50V		ケミコン	
C340	UR237470	C. EL	47uF 16V		ケミコン	
C341	US135100	C. CE. CHP	0.1uF 16V	BG	チップセラコン	01
C342-343	US062330	C. CE. CHP	330pF 50V B	BG	チップセラコン	01
C344	US062560	C. CE. CHP	560pF 50V B	BG	チップセラコン	01
C345-346	UR237470	C. EL	47uF 16V	BG	ケミコン	
C347-348	US061270	C. CE. CHP	27pF 50V B	BG	チップセラコン	01
C349	UR237470	C. EL	47uF 16V	BG	ケミコン	
C350	US135100	C. CE. CHP	0.1uF 16V	BG	チップセラコン	01
C351	US135100	C. CE. CHP	0.1uF 16V		チップセラコン	01
C352	UR267470	C. EL	47uF 50V		ケミコン	01
C353	UR237470	C. EL	47uF 16V		ケミコン	
C354	US135100	C. CE. CHP	0.1uF 16V		チップセラコン	01
C355-356	UR267470	C. EL	47uF 50V		ケミコン	01
C358-359	US062100	C. CE. CHP	100pF 50V B		チップセラコン	01
C361-362	US062100	C. CE. CHP	100pF 50V B		チップセラコン	01
C365-366	US062100	C. CE. CHP	100pF 50V B		チップセラコン	01
C368-375	US062100	C. CE. CHP	100pF 50V B		チップセラコン	01
C378-388	US062100	C. CE. CHP	100pF 50V B		チップセラコン	01
C392	US062100	C. CE. CHP	100pF 50V B		チップセラコン	01
C394-399	US062100	C. CE. CHP	100pF 50V B		チップセラコン	01
C400-402	US062100	C. CE. CHP	100pF 50V B		チップセラコン	01
C403	US135100	C. CE. CHP	0.1uF 16V		チップセラコン	01
C404	UR218220	C. EL	220uF 6.3V		ケミコン	
C405	US135100	C. CE. CHP	0.1uF 16V		チップセラコン	01
C406-407	US064100	C. CE. CHP	0.01uF 50V B		チップセラコン	01
C408	US062100	C. CE. CHP	100pF 50V B		チップセラコン	01
C409-413	US135100	C. CE. CHP	0.1uF 16V		チップセラコン	01
C414	US062100	C. CE. CHP	100pF 50V B		チップセラコン	01
C601-602	UR237100	C. EL	10uF 16V		ケミコン	
C603	US135220	C. CE. CHP	0.22uF 16V		チップセラコン	01
C604-605	US135100	C. CE. CHP	0.1uF 16V		チップセラコン	01
C606-607	UR267470	C. EL	47uF 50V		ケミコン	01
C608	US135100	C. CE. CHP	0.1uF 16V		チップセラコン	01
C609-612	UR237100	C. EL	10uF 16V		ケミコン	
C613	US135100	C. CE. CHP	0.1uF 16V		チップセラコン	01
C614-618	UR237100	C. EL	10uF 16V		ケミコン	
C619-625	UR238100	C. EL	100uF 16V		ケミコン	

* New Parts * 新規部品

P.C.B. FUNCTION

Ref No.	Part No.	Description	Remarks	Markets	部 品 名	Rank
C626-627	US062100	C. CE. CHP	100pF 50V B		チップセラコン	01
C628-630	UT952100	C. PP	100pF 100V		P Pコン	
C631-634	US062100	C. CE. CHP	100pF 50V B		チップセラコン	01
C635-636	UR266470	C. EL	4.7uF 50V		ケミコン	
C637-638	UU258100	C. EL	100uF 35V		ケミコン FW	
C639	UR266470	C. EL	4.7uF 50V		ケミコン	
C640-641	UR237100	C. EL	10uF 16V		ケミコン	
C642-643	UR266470	C. EL	4.7uF 50V		ケミコン	
C644-645	UR266330	C. EL	3.3uF 50V		ケミコン	
C646-651	US135100	C. CE. CHP	0.1uF 16V		チップセラコン	01
C652	UR237470	C. EL	47uF 16V		ケミコン	
C653	US135100	C. CE. CHP	0.1uF 16V		チップセラコン	01
C654	WG781200	C. EL	33uF 25V		ケミコン	
C655	UR267470	C. EL	47uF 50V		ケミコン	01
C656	WG782300	C. EL	10uF 50V		ケミコン	
C657	WG781200	C. EL	33uF 25V		ケミコン	
C658	UR237470	C. EL	47uF 16V		ケミコン	
C659	WG781200	C. EL	33uF 25V		ケミコン	
C660	UR237100	C. EL	10uF 16V		ケミコン	
C661	WG781200	C. EL	33uF 25V		ケミコン	
C662	UR267470	C. EL	47uF 50V		ケミコン	01
C663-665	WG781200	C. EL	33uF 25V		ケミコン	
C666	US135100	C. CE. CHP	0.1uF 16V		チップセラコン	01
C667-668	UR237470	C. EL	47uF 16V		ケミコン	
C669-670	US061470	C. CE. CHP	47pF 50V B		チップセラコン	01
C671	US062100	C. CE. CHP	100pF 50V B		チップセラコン	01
C672-673	UR237100	C. EL	10uF 16V		ケミコン	
C674-675	UT952100	C. PP	100pF 100V		P Pコン	
C676-681	UU267100	C. EL	10uF 50V		ケミコン FW	01
C682-683	UU258100	C. EL	100uF 35V		ケミコン	01
C684	UR237220	C. EL	22uF 16V		ケミコン	
C685-686	UU267100	C. EL	10uF 50V		ケミコン FW	01
C687	UR237220	C. EL	22uF 16V		ケミコン	
C688-689	US135100	C. CE. CHP	0.1uF 16V		チップセラコン	01
C690-691	UU258100	C. EL	100uF 35V		ケミコン FW	
C693	US135100	C. CE. CHP	0.1uF 16V		チップセラコン	01
C695	US135100	C. CE. CHP	0.1uF 16V		チップセラコン	01
D301	VV833200	DIODE	1SS380		ダイオード	01
D302-307	VT332900	DIODE	1SS355		ダイオード	01
D308	VU992600	DIODE. ZENR	MA8051-M 5.1V		ツェナーダイオード	01
D309-310	VT332900	DIODE	1SS355		ダイオード	01
D311	VU172000	DIODE. ZENR	UDZ5.6BTE-17 5.6V		ツェナーダイオード	01
D312	VU993700	DIODE. ZENR	MA8068-L 6.6V		ツェナーダイオード	
D313	VU995300	DIODE. ZENR	MA8100-L 9.7V		ツェナーダイオード	01
D314	VU993700	DIODE. ZENR	MA8068-L 6.6V		ツェナーダイオード	
D601-604	VT332900	DIODE	1SS355		ダイオード	01
D605-606	VU993700	DIODE. ZENR	MA8068-L 6.6V		ツェナーダイオード	
*	IC301	X6909A00	IC M30845FJGP CPU	unwritten	CPU/周辺IC	
	IC302	X0082A00	IC LC72722PM		IC SOP	
	IC571	X5886A00	IC RH5RE58AA-T1-FA		電源IC	04
	IC601	X5044A00	IC NJU7311AM		アナログIC	05
	IC602	X5045A00	IC NJU7312AM		アナログIC	
	IC603	X5044A00	IC NJU7311AM		アナログIC	05
	IC604	X5043A00	IC NJU7313AM		アナログIC	

* New Parts * 新規部品

P.C.B. FUNCTION & P.C.B. OPERATION

Ref No.	Part No.	Description	Remarks	Markets	部 品 名	Rank	
* IC605-609	X3505A00	IC	NJM2068MD-TE2			アンプIC	02
IC610	X5574A00	IC	YAC526-EZE2			IC アナログ	05
IC611	X4325A00	IC	YAC523-EVR2			IC, アナログ	06
IC612	XF291A00	IC	μPC4570G2			IC	03
IC613	X3505A00	IC	NJM2068MD-TE2			アンプIC	02
IC614	XF291A00	IC	μPC4570G2			IC	03
IC615	XF291A00	IC	μPC4570G2		RTKABGL	IC	03
IC616	XF291A00	IC	μPC4570G2			IC	03
J604-605		R. CHP	0Ω 1/16W J		JUC	チップ抵抗	
PN301-302	V9637500	PIN	L=70 #18			スタイルピン	
PN601-606	V9637500	PIN	L=70 #18			スタイルピン	
Q301	WD974200	TR	2SA1036KT146 P, Q, R			トランジスタ	01
Q302	VV556500	TR	2SA1037K Q, R, S			トランジスタ	01
Q303-306	VD303700	TR	2SC3326 A, B			トランジスタ	01
Q307	iC287820	TR	2SC2878 A, B			トランジスタ	01
* Q308-315	WF767900	FET	5HP01C-TB-E			F E T	
Q323	VD303700	TR	2SC3326 A, B			トランジスタ	01
Q324	iC181510	TR	2SC1815 Y			トランジスタ	01
Q325	VD303700	TR	2SC3326 A, B		BG	トランジスタ	01
Q326-327	VP872700	TR	2SC4488 S, T			トランジスタ	01
Q328	VP872600	TR	2SA1708 S, T			トランジスタ	01
Q603	VP872700	TR	2SC4488 S, T			トランジスタ	01
Q604	VP872600	TR	2SA1708 S, T			トランジスタ	01
Q605-606	VZ725900	TR	2SD1938F S, T			トランジスタ	01
Q609-610	VZ725900	TR	2SD1938F S, T			トランジスタ	01
Q613-628	VZ725900	TR	2SD1938F S, T			トランジスタ	01
R301	VP939800	R. MTL. OXD	10Ω 1W			酸化金属被膜抵抗	01
R357		R. CHP	0Ω 1/16W J		J	チップ抵抗	
R357		R. CHP	1.2KΩ 1/16W J		UC	チップ抵抗	
R357		R. CHP	4.7KΩ 1/16W J		R	チップ抵抗	
R357		R. CHP	6.8KΩ 1/16W J		T	チップ抵抗	
R357		R. CHP	10KΩ 1/16W J		K	チップ抵抗	
R357		R. CHP	15KΩ 1/16W J		A	チップ抵抗	
R357		R. CHP	47KΩ 1/16W J		BG	チップ抵抗	
R357		R. CHP	100KΩ 1/16W J		L	チップ抵抗	
R503-512		R. CHP	33KΩ 1/16W J		BG	チップ抵抗	
R677-678	V8070200	R. MTL. FLM	4.7Ω 1W			金属被膜抵抗	
R723	HF355330	R. CAR	330Ω 1/2W			カーボン抵抗	
R728		R. CHP	56Ω 1/16W J		JUC	チップ抵抗	
R728		R. CHP	100Ω 1/16W J		RTKABGL	チップ抵抗	
R729		R. CHP	56Ω 1/16W J		JUC	チップ抵抗	
R729		R. CHP	100Ω 1/16W J		RTKABGL	チップ抵抗	
R736		R. CHP	56Ω 1/16W J		JUC	チップ抵抗	
R736		R. CHP	120Ω 1/16W J		RTKABGL	チップ抵抗	
R737		R. CHP	56Ω 1/16W J		JUC	チップ抵抗	
R737		R. CHP	120Ω 1/16W J		RTKABGL	チップ抵抗	
* XL301	WF997400	RSNR. CE	20MHz			セラミック振動子	
* XL302	V7556000	RSNR. CRY	4.332MHz HC-49U		BG	水晶振動子	
* * * * *	WG083300	P. C. B.	OPERATION		JUC	P C B オペレーション	
* * * * *	WG083400	P. C. B.	OPERATION		RTKABGL	P C B オペレーション	
CB901	VB389800	CN. BS. PIN	2P			ベースピン	01

* New Parts * 新規部品

P.C.B. OPERATION

Ref No.	Part No.	Description	Remarks	Markets	部 品 名	Rank
CB902	VB389900	CN. BS. PIN	3P		ベースピン	01
CB903	VB858500	CN. BS. PIN	6P		ベースピン	01
CB904	VB390000	CN. BS. PIN	4P		ベースピン	01
CB905	VB389900	CN. BS. PIN	3P		ベースピン	01
CB906	VB390200	CN. BS. PIN	6P		コネクタベースポスト	01
CB907	VB390300	CN. BS. PIN	7P		ベースピン	01
CB908	VB390000	CN. BS. PIN	4P		ベースピン	01
CB909	VF982300	CN. BS. PIN	17P		F F Cコネクター	01
CB910	VO047200	CN. BS. PIN	9P		F F Cコネクター	01
CB911	V7825900	CN	9P TE TUC SERIES		コネクタープラグ	
CB912	VO046000	CN. BS. PIN	31P		F F Cコネクター	03
CB913	VP798200	CN. BS. PIN	24P		F F Cコネクター	01
C904-910	US061220	C. CE. CHIP	22pF 50V B		チップセラコン	01
C911	US135100	C. CE. CHIP	0.1uF 16V		チップセラコン	01
C912-915	US063100	C. CE. CHIP	1000pF 50V B		チップセラコン	01
C921-922	US063100	C. CE. CHIP	1000pF 50V B		チップセラコン	01
C927	US135100	C. CE. CHIP	0.1uF 16V		チップセラコン	01
C928-929	UM397220	C. EL	22uF 25V		ケミコン	01
C930	US135100	C. CE. CHIP	0.1uF 16V		チップセラコン	01
C931	UM397100	C. EL	10uF 16V		ケミコン	01
C932	UA653330	C. MYLAR	3300pF 50V J		マイラーコン	01
C933	US064100	C. CE. CHIP	0.01uF 50V B		チップセラコン	01
C934	UA653330	C. MYLAR	3300pF 50V J		マイラーコン	01
C937	US061330	C. CE. CHIP	33pF 50V B		チップセラコン	01
C939	UM387470	C. EL	47uF 16V		ケミコン	01
C940	UM397470	C. EL	47uF 16V		ケミコン	01
C941-942	US062470	C. CE. CHIP	470pF 50V B		チップセラコン	01
C943	US063100	C. CE. CHIP	1000pF 50V B		チップセラコン	01
C946	US135100	C. CE. CHIP	0.1uF 16V		チップセラコン	01
C949	UM397220	C. EL	22uF 25V		ケミコン	01
C950-951	US135100	C. CE. CHIP	0.1uF 16V		チップセラコン	01
C952	US062100	C. CE. CHIP	100pF 50V B		チップセラコン	01
C955-956	US063100	C. CE. CHIP	1000pF 50V B		チップセラコン	01
C959	UM397100	C. EL	10uF 16V		ケミコン	01
C960	US063100	C. CE. CHIP	1000pF 50V B		チップセラコン	01
C965	US135100	C. CE. CHIP	0.1uF 16V		チップセラコン	01
C971	US135100	C. CE. CHIP	0.1uF 16V		チップセラコン	01
C973	US135100	C. CE. CHIP	0.1uF 16V		チップセラコン	01
C974-975	US062100	C. CE. CHIP	100pF 50V B		チップセラコン	01
C976	US135100	C. CE. CHIP	0.1uF 16V		チップセラコン	01
C978	US135100	C. CE. CHIP	0.1uF 16V	JUC	チップセラコン	01
C979	UM397100	C. EL	10uF 16V		ケミコン	01
C980-983	US062100	C. CE. CHIP	100pF 50V B		チップセラコン	01
C984-985	UR237100	C. EL	10uF 16V		ケミコン	
C986-987	US061100	C. CE. CHIP	10pF 50V B		チップセラコン	01
C988-989	WB553000	C. EL	1000uF 16V		ケミコン V K	
C990	UM397100	C. EL	10uF 16V		ケミコン	01
C991	US135100	C. CE. CHIP	0.1uF 16V		チップセラコン	01
C992	US063100	C. CE. CHIP	1000pF 50V B		チップセラコン	01
D903	WB071400	LED	BE SLR343BBT		L E D	03
D906	VU171900	DIODE. ZENR	UDZ5.1B 5.1V		ツェナーダイオード	01
D932-933	VV307700	DIODE	1N4002S		ダイオード	01
IC902	X2080A00	IC	SN74AHCT1G32DCKR		ロジックIC	01
IC903	XS377A00	IC	BA15218F 0P AMP		アンプIC	01

* New Parts * 新規部品

P.C.B. OPERATION & P.C.B. MAIN

Ref No.	Part No.	Description	Remarks	Markets	部 品 名	Rank
IC904	XF291A00	IC	μPC4570G2		IC	03
J910		R. CHP	0Ω 1/16W J		チップ抵抗	
JK901	V9408200	JACK. PHONE	MSJ-064-05B GR	RTKABGL	ホーンジャック	03
JK902	V2589500	CN. DIN	1P		ミニDINコネクタ	02
JK903	WE260000	JACK. MNI	LGY6501-0900FC		モノラルミニジャック	02
PJ901	V6222800	JACK. PIN	3P		ピンジャック	04
PN903-906	V9637500	PIN	L=70 #18		スタイルピン	
Q901	VV556400	TR	2SC2412K Q, R, S		トランジスタ	01
Q915-916	VZ725900	TR	2SD1938F S, T		トランジスタ	01
R1000-100	HF355100	R. CAR	100Ω 1/2W		カーボン抵抗	
R1011-101	HL005220	R. MTL. OXD	220Ω 1/2W		酸化金属被膜抵抗	
* SW904	WF875900	SW. PUSH	SPUN127100		ブッシュSW	
SW908	V4757100	SW. TACT	EVQ11A		タクトSW	01
SW909	V6578000	SW. RT. ENC	RB161PVB20FHINA		ロータリーエンコーダ	04
SW910	V9281200	SW. RT. ENC	EVEGC1F2512B		ロータリーエンコーダ	02
SW912	V4757100	SW. TACT	EVQ11A		タクトSW	01
SW920	V9281200	SW. RT. ENC	EVEGC1F2512B		ロータリーエンコーダ	02
SW923	V6154000	SW. RT. ENC	SDB161PH20FS-1-4-12		ロータリーエンコーダ	
SW924	V4757100	SW. TACT	EVQ11A		タクトSW	01
U902	WB547900	CN. PHOT. SN	1P GP1FA513RZ0F		光ファイバー受信器	03
* * * *	WG075800	P. C. B.	MAIN	J	P C B メイン	
	WG075900	P. C. B.	MAIN	UC	P C B メイン	
	WG076000	P. C. B.	MAIN	RTA	P C B メイン	
	WG076100	P. C. B.	MAIN	KBGL	P C B メイン	
CB205	V7825800	CN	8P TE TUC SERIES		コネクタープラグ	
CB206	V7825500	CN	5P TE TUC SERIES		コネクタープラグ	01
CB208	LB918030	CN. BS. PIN	3P		ベース付ポスト	01
CB211	WB127100	CN. BS. PIN	3P TE XH		ベース付ポスト	
CB212	LB932060	CN. BS. PIN	6P		ベースポスト	01
CB215	VB390300	CN. BS. PIN	7P		ベースピン	01
CB216	LB918020	CN. BS. PIN	2P		ベース付ポスト	01
CB217	V7826100	CN	11P TE TUC SERIES		コネクタープラグ	01
CB218	V7825400	CN	4P TE TUC SERIES		コネクタープラグ	01
CB219	VB390400	CN. BS. PIN	8P		ベースピン	01
C201	VJ599100	C. CE. TUBLR	0. 1uF 50V		円筒セラコン	01
C202	WE100900	C. PP	220pF 630V		PPコン	
C226	VJ599100	C. CE. TUBLR	0. 1uF 50V		円筒セラコン	01
C234	WE100500	C. PP	100pF 630V		PPコン	
C235	UU297100	C. EL	10uF 100V		ケミコン FW	
C236-237	WE100500	C. PP	100pF 630V		PPコン	
C238	UU297100	C. EL	10uF 100V		ケミコン FW	
C239-240	WE100500	C. PP	100pF 630V		PPコン	
C241	UR397100	C. EL	10uF 100V		ケミコン	03
C242-243	WE100500	C. PP	100pF 630V		PPコン	
C244	UR397100	C. EL	10uF 100V		ケミコン	03
C245-246	WE100500	C. PP	100pF 630V		PPコン	
C247	UU297100	C. EL	10uF 100V		ケミコン FW	
C248-249	WE100500	C. PP	100pF 630V		PPコン	
C250	UU297100	C. EL	10uF 100V		ケミコン FW	
C251-252	WE100500	C. PP	100pF 630V		PPコン	
C253	UU297100	C. EL	10uF 100V		ケミコン FW	

* New Parts * 新規部品

P.C.B. MAIN

Ref No.	Part No.	Description	Remarks	Markets	部 品 名	Rank
C254	WE100500	C. PP	100pF 630V		P P コン	
C255-256	VR169100	C. MYLAR	0.39uF 50V		マイラーコン	01
C257-258	VR325300	C. MYLAR	0.047uF 100V		マイラーコン	01
C259-260	UA654470	C. MYLAR	0.047uF 50V J		マイラーコン	01
C261-263	VR325300	C. MYLAR	0.047uF 100V		マイラーコン	01
C264-269	UR297100	C. EL	10uF 100V		ケミコン	
C270	UR266470	C. EL	4.7uF 50V		ケミコン	
C271	UR267330	C. EL	33uF 50V		ケミコン	01
C275-278	UA654100	C. MYLAR	0.01uF 50V J		マイラーコン	01
C279	UA654220	C. MYLAR	0.022uF 50V J		マイラーコン	01
C280-281	UA654100	C. MYLAR	0.01uF 50V J		マイラーコン	01
* C283-284	WG247000	C. EL	15000uF 71V		ケミコン	
C286	UR268330	C. EL	330uF 50V		ケミコン	
C287	UR268100	C. EL	100uF 50V		ケミコン	
C288-289	VR324900	C. MYLAR	0.1uF 100V		マイラーコン	01
C290-295	UA654220	C. MYLAR	0.022uF 50V J		マイラーコン	01
C296-297	UA654100	C. MYLAR	0.01uF 50V J		マイラーコン	01
C299	UA654100	C. MYLAR	0.01uF 50V J		マイラーコン	01
C300	UA654100	C. MYLAR	0.01uF 50V J		マイラーコン	01
C301-302	VR324900	C. MYLAR	0.1uF 100V		マイラーコン	01
C303-304	UA654220	C. MYLAR	0.022uF 50V J		マイラーコン	01
C305	UA654100	C. MYLAR	0.01uF 50V J		マイラーコン	01
C350-356	UA654100	C. MYLAR	0.01uF 50V J		マイラーコン	01
D207-213	VD631600	DIODE	1SS133, 176		ダイオード	01
D214-222	WA180300	DIODE	1SS244		ダイオード	01
D225	VM976300	DIODE. ZENR	HZS242TD 24V		ツェナーダイオード	01
D227	VM976300	DIODE. ZENR	HZS242TD 24V		ツェナーダイオード	01
D228	VG443700	DIODE. ZENR	MTZJ33B 33V		ツェナーダイオード	01
D231	VM976300	DIODE. ZENR	HZS242TD 24V		ツェナーダイオード	01
D233	VM976300	DIODE. ZENR	HZS242TD 24V		ツェナーダイオード	01
D235	VM976300	DIODE. ZENR	HZS242TD 24V		ツェナーダイオード	01
D238	VM976300	DIODE. ZENR	HZS242TD 24V		ツェナーダイオード	01
△ D240-243	VS997800	DIODE	1T2		ダイオード	01
△ D246	WD890200	DIODE. BRG	D15XBN20 30A 200V		ダイオードブリッジ	06
D247-253	VD631600	DIODE	1SS133, 176		ダイオード	01
D270-276	VG437500	DIODE. ZENR	MTZJ5.1C 5.1V		ツェナーダイオード	01
G201	V5995800	PLATE. GND			アースプレート	
IC201-202	X0515A00	IC	LM61CIZ THERMAL		電源 IC	03
PN201-208	V9637500	PIN	L=70 #18		スタイルピン	
△ Q213-214	VK432900	TR	2SD1915F S, T		トランジスタ	01
△ Q215-216	iC224030	TR	2SC2240 GR, BL		トランジスタ	01
△ Q217-219	VK432900	TR	2SD1915F S, T		トランジスタ	01
△ Q220A	iX632610	TR	2SA1837 0, Y		トランジスタ	02
△ Q220C	iX632620	TR	2SC4793 0, Y		トランジスタ	02
△ Q221A	iX632610	TR	2SA1837 0, Y		トランジスタ	02
△ Q221C	iX632620	TR	2SC4793 0, Y		トランジスタ	02
△ Q222A	iX632610	TR	2SA1837 0, Y		トランジスタ	02
△ Q222C	iX632620	TR	2SC4793 0, Y		トランジスタ	02
△ Q223A	iX632610	TR	2SA1837 0, Y		トランジスタ	02
△ Q223C	iX632620	TR	2SC4793 0, Y		トランジスタ	02
△ Q224A	iX632610	TR	2SA1837 0, Y		トランジスタ	02
△ Q224C	iX632620	TR	2SC4793 0, Y		トランジスタ	02
△ Q225A	iX632610	TR	2SA1837 0, Y		トランジスタ	02
△ Q225C	iX632620	TR	2SC4793 0, Y		トランジスタ	02

* New Parts * 新規部品

P.C.B. MAIN

Ref No.	Part No.	Description	Remarks	Markets	部 品 名	Rank	
△ Q226	WD281200	TR. PAIR	A2151/C6011 O, P, Y		JBGL	ヘアトランジスタ	07
△ Q226A	iX606460	TR	2SA1492 O, P, Y		UCRTA	トランジスタ	05
△ Q226C	iX606470	TR	2SC3856 O, P, Y		UCRTA	トランジスタ	05
△ Q227	WD281200	TR. PAIR	A2151/C6011 O, P, Y		JBGL	ヘアトランジスタ	07
△ Q227A	iX606460	TR	2SA1492 O, P, Y		UCRTA	トランジスタ	05
△ Q227C	iX606470	TR	2SC3856 O, P, Y		UCRTA	トランジスタ	05
△ Q228	WD281200	TR. PAIR	A2151/C6011 O, P, Y		JBGL	ヘアトランジスタ	07
△ Q228A	iX606460	TR	2SA1492 O, P, Y		UCRTA	トランジスタ	05
△ Q228C	iX606470	TR	2SC3856 O, P, Y		UCRTA	トランジスタ	05
△ Q229	WD281200	TR. PAIR	A2151/C6011 O, P, Y		JBGL	ヘアトランジスタ	07
△ Q229A	iX606460	TR	2SA1492 O, P, Y		UCRTA	トランジスタ	05
△ Q229C	iX606470	TR	2SC3856 O, P, Y		UCRTA	トランジスタ	05
△ Q230	WD281200	TR. PAIR	A2151/C6011 O, P, Y		JBGL	ヘアトランジスタ	07
△ Q230A	iX606460	TR	2SA1492 O, P, Y		UCRTA	トランジスタ	05
△ Q230C	iX606470	TR	2SC3856 O, P, Y		UCRTA	トランジスタ	05
△ Q231	WD281200	TR. PAIR	A2151/C6011 O, P, Y		JBGL	ヘアトランジスタ	07
△ Q231A	iX606460	TR	2SA1492 O, P, Y		UCRTA	トランジスタ	05
△ Q231C	iX606470	TR	2SC3856 O, P, Y		UCRTA	トランジスタ	05
△ Q232	WD281200	TR. PAIR	A2151/C6011 O, P, Y		JBGL	ヘアトランジスタ	07
△ Q232A	iX606460	TR	2SA1492 O, P, Y		UCRTA	トランジスタ	05
△ Q232C	iX606470	TR	2SC3856 O, P, Y		UCRTA	トランジスタ	05
△ Q233A	iX632610	TR	2SA1837 O, Y			トランジスタ	02
△ Q233C	iX632620	TR	2SC4793 O, Y			トランジスタ	02
Q248-254	iC224030	TR	2SC2240 GR, BL			トランジスタ	01
Q255-256	VP872700	TR	2SC4488 S, T			トランジスタ	01
Q257	iA101510	TR	2SA1015 Y			トランジスタ	01
Q258	VP872700	TR	2SC4488 S, T			トランジスタ	01
Q261-262	VP872700	TR	2SC4488 S, T			トランジスタ	01
△ Q263-269	VR325600	TR	2SC2229 O, Y			トランジスタ	01
Q280	VP872700	TR	2SC4488 S, T			トランジスタ	01
△ R201	V3943000	R. MTL. FLM	4.7Ω 1/2W			金属被膜抵抗	01
R202-204	HV753470	R. CAR. FP	4.7Ω 1/4W			不燃化カーボン抵抗	01
R212-213	HV753470	R. CAR. FP	4.7Ω 1/4W			不燃化カーボン抵抗	01
R215-218	HV753470	R. CAR. FP	4.7Ω 1/4W			不燃化カーボン抵抗	01
△ R220	HV753100	R. CAR. FP	1Ω 1/4W			不燃化カーボン抵抗	01
△ R222	HV753100	R. CAR. FP	1Ω 1/4W			不燃化カーボン抵抗	01
R263	V3946100	R. MTL. OXD	2.7KΩ 1/2W			酸化金属被膜抵抗	01
R264	V3945100	R. MTL. OXD	390Ω 1/2W			酸化金属被膜抵抗	
R265	V3945500	R. MTL. OXD	820Ω 1/2W			酸化金属被膜抵抗	
△ R266	HV755120	R. CAR. FP	120Ω 1/4W			不燃化カーボン抵抗	01
R267	V3946100	R. MTL. OXD	2.7KΩ 1/2W			酸化金属被膜抵抗	01
R268	V3945100	R. MTL. OXD	390Ω 1/2W			酸化金属被膜抵抗	
R269	V3945500	R. MTL. OXD	820Ω 1/2W			酸化金属被膜抵抗	
△ R270	HV755120	R. CAR. FP	120Ω 1/4W			不燃化カーボン抵抗	01
R271	V3946100	R. MTL. OXD	2.7KΩ 1/2W			酸化金属被膜抵抗	01
R272	V3944900	R. MTL. OXD	270Ω 1/2W			酸化金属被膜抵抗	
R273	V3945600	R. MTL. OXD	1KΩ 1/2W			酸化金属被膜抵抗	
△ R274	HV755120	R. CAR. FP	120Ω 1/4W			不燃化カーボン抵抗	01
R275	V3946100	R. MTL. OXD	2.7KΩ 1/2W			酸化金属被膜抵抗	01
R276	V3944900	R. MTL. OXD	270Ω 1/2W			酸化金属被膜抵抗	
R277	V3945600	R. MTL. OXD	1KΩ 1/2W			酸化金属被膜抵抗	
△ R278	HV755120	R. CAR. FP	120Ω 1/4W			不燃化カーボン抵抗	01
R279	V3946100	R. MTL. OXD	2.7KΩ 1/2W			酸化金属被膜抵抗	01
R280	V3945100	R. MTL. OXD	390Ω 1/2W			酸化金属被膜抵抗	

* New Parts * 新規部品

P.C.B. MAIN & P.C.B. POWER

Ref No.	Part No.	Description	Remarks	Markets	部 品 名	Rank
	R281	V3945500 R. MTL. OXD	820Ω 1/2W		酸化金属被膜抵抗	
△	R282	HV755120 R. CAR. FP	120Ω 1/4W		不燃化カーボン抵抗	01
	R283	V3946100 R. MTL. OXD	2.7KΩ 1/2W		酸化金属被膜抵抗	01
	R284	V3945100 R. MTL. OXD	390Ω 1/2W		酸化金属被膜抵抗	
	R285	V3945500 R. MTL. OXD	820Ω 1/2W		酸化金属被膜抵抗	
△	R286	HV755120 R. CAR. FP	120Ω 1/4W		不燃化カーボン抵抗	01
	R287	V3946100 R. MTL. OXD	2.7KΩ 1/2W		酸化金属被膜抵抗	01
	R288	V3945100 R. MTL. OXD	390Ω 1/2W		酸化金属被膜抵抗	
	R289	V3945500 R. MTL. OXD	820Ω 1/2W		酸化金属被膜抵抗	
△	R290	HV755120 R. CAR. FP	120Ω 1/4W		不燃化カーボン抵抗	01
	R291-297	V3945600 R. MTL. OXD	1KΩ 1/2W		酸化金属被膜抵抗	
△	R298-299	HV755220 R. CAR. FP	220Ω 1/4W		不燃化カーボン抵抗	01
△	R300-304	HV755220 R. CAR. FP	220Ω 1/4W		不燃化カーボン抵抗	01
△	R305-318	HV753470 R. CAR. FP	4.7Ω 1/4W		不燃化カーボン抵抗	01
	R319-320	V3873200 R. CEMENT	0.22Ω 3W		セメント抵抗	02
	R321-322	WB279900 R. CEMENT	RGC55C 0.22+0.22		セメント抵抗	
	R325	V3873200 R. CEMENT	0.22Ω 3W		セメント抵抗	02
	R326-327	WB279900 R. CEMENT	RGC55C 0.22+0.22		セメント抵抗	
	R349-355	V8070200 R. MTL. FLM	4.7Ω 1W		金属被膜抵抗	
	R363-365	HV754100 R. CAR. FP	10Ω 1/4W		不燃化カーボン抵抗	01
	R367	HV754100 R. CAR. FP	10Ω 1/4W		不燃化カーボン抵抗	01
	R371-373	HV754100 R. CAR. FP	10Ω 1/4W		不燃化カーボン抵抗	01
△	R380-382	V3942700 R. MTL. FLM	1Ω 1/2W		金属被膜抵抗	01
	R387	HV756100 R. CAR. FP	1KΩ 1/4W		不燃化カーボン抵抗	01
△	R389	HV755100 R. CAR. FP	100Ω 1/4W		不燃化カーボン抵抗	01
△	R400-404	HV754820 R. CAR. FP	82Ω 1/4W		不燃化カーボン抵抗	01
	R422	HV754820 R. CAR. FP	82Ω 1/4W		不燃化カーボン抵抗	01
	RY201-205	V6322600 RELAY	DC DH24D2-0T(M)-SL		リレー 24V	04
	RY206	WA544800 RELAY	DC G5PA-28		リレー 24V	04
	TE201	WD477700 TERM. SP	8P LTS0810-1019FM	JUCRTA	スピーカーターミナル	06
*	TE201	WD477500 TERM. SP	8P LTS0810-1015FM	KBGL	スピーカーターミナル	
	TE202	WD756900 TERM. SP	2P LTS3210-1004FM	JUCRTA	スピーカーターミナル	04
*	TE202	WD757000 TERM. SP	2P LTS3210-1003FM	KBGL	スピーカーターミナル	
	TE203	WD039300 TERM. SP	LQR2411-0001FM	JUCRTA	スピーカーターミナル	04
*	TE203	WD039400 TERM. SP	LQR2411-0003FM	KBGL	スピーカーターミナル	
	TE204	WD477700 TERM. SP	8P LTS0810-1019FM	JUCRTA	スピーカーターミナル	06
*	TE204	WD477500 TERM. SP	8P LTS0810-1015FM	KBGL	スピーカーターミナル	
		VT669300 SCR. BW. HD	3x8-8 MFC2		PWヘッドBタイトネジ	01
*		WG077400 P. C. B.	POWER	J	P C B パワー	
*		WG077500 P. C. B.	POWER	UC	P C B パワー	
*		WG077600 P. C. B.	POWER	R	P C B パワー	
*		WG077700 P. C. B.	POWER	T	P C B パワー	
*		WG077800 P. C. B.	POWER	K	P C B パワー	
*		WG077900 P. C. B.	POWER	A	P C B パワー	
*		WG078000 P. C. B.	POWER	B	P C B パワー	
*		WG078100 P. C. B.	POWER	G	P C B パワー	
*		WG078200 P. C. B.	POWER	L	P C B パワー	
	CB2-3	WC050700 CL. IP. FUSE	EYF-52BCY	UCG	ヒューズクリップ	01
	CB4	VS996100 HOLDER. FUS	EYF64BC	JUCRL	ヒューズクリップ	01
	CB4-5	WC050700 CL. IP. FUSE	EYF-52BCY	TKABG	ヒューズクリップ	01
	CB6	VS996100 HOLDER. FUS	EYF64BC	JUCRL	ヒューズクリップ	01

* New Parts * 新規部品

P.C.B. POWER

Ref No.	Part No.	Description	Remarks	Markets	部 品 名	Rank
	CB7	VG879900 CN. BS. PIN	2P		ベースピン	01
*	CB8	V9377900 CN. BS. PIN	4P SE VH SERIES	RL	ベース付ポスト	
*	CB9	V9377800 CN. BS. PIN	3P SE VH SERIES	RL	ベース付ポスト	
	CB10-11	WC050700 CL. IP. FUSE	EYF-52BCY	RL	ヒューズクリップ	01
*	CB12	LB933030 CN. BS. PIN	3P		ベースポスト	01
	CB13	LB919090 CN. BS. PIN	9P		ベース付ポスト	02
	CB14	VB858400 CN. BS. PIN	5P		ベースピン	01
*	CB16	LB918100 CN. BS. PIN	10P		ベース付ポスト	02
	CB17	LB918050 CN. BS. PIN	5P		ベース付ポスト	01
	CB20-21	VB389900 CN. BS. PIN	3P		ベースピン	01
	CB40	VB858700 CN. BS. PIN	8P		ベースピン	01
	CB41	V7827600 SOCKET	9P SE TUC SERIES		コネクタソケット	
	CB42	V7827500 SOCKET	8P SE TUC SERIES		コネクタソケット	
	CB43	V7827200 SOCKET	5P TE TUC SERIES		コネクタソケット	
	CB44	VB858300 CN. BS. PIN	4P		コネクタベースポスト	01
	CB46	VB858500 CN. BS. PIN	6P		ベースピン	01
	CB47	V7827800 SOCKET	11P SE TUC SERIES		コネクタソケット	
	CB48	V7827100 SOCKET	4P TE TUC SERIES		コネクタソケット	
	CB324	VB858200 CN. BS. PIN	3P		ベースピン	01
	CB325	VB858300 CN. BS. PIN	4P		コネクタベースポスト	01
	C1	UR866220 C. EL	2.2uF 50V		ケミコン	01
	C2	UR266220 C. EL	2.2uF 50V		ケミコン	
	C3	UA654100 C. MYLAR	0.01uF 50V J		マイラーコン	01
	C4	WB687100 C. POL. MTL	0.047uF 400V	JUC	メタライズドポリコン	01
*	C4	WD054200 C. POL. MTL	0.047uF 630V	R	メタライズドポリコン	
	C4	WC041600 C. PP	0.022uF 630V	TKABGL	P P コン	01
	C5	UR266100 C. EL	1uF 50V		ケミコン	
	C6	UA653470 C. MYLAR	4700pF 50V J		マイラーコン	01
	C7	WB696300 C. POL. MTL	0.1uF 400V	JUC	メタライズドポリコン	
*	C7	WD257600 C. PP	0.047uF 800V	RTKABGL	P P コン	
▲	C8	V6185300 C. CE. SAFTY	0.01uF 275V		規格認定コン	
	C9	WE102900 C. PP	0.01uF 100V		P P コン	
	C10	UU249330 C. EL	3300uF 25V	JUCTKABGL	ケミコン FW	04
*	C10	WD047300 C. EL	3300uF 50V	R	ケミコン KMQ	
	C13-14	VR324900 C. MYLAR	0.1uF 100V		マイラーコン	01
*	C16-17	UU23A150 C. EL	15000uF 16V		ケミコン FW	
	C18	UR239330 C. EL	3300uF 16V		ケミコン	02
*	C19	UU23A150 C. EL	15000uF 16V		ケミコン FW	
	C20	UR268100 C. EL	100uF 50V		ケミコン	
	C21-22	UR267100 C. EL	10uF 50V		ケミコン	
	C23	UR258470 C. EL	470uF 35V		ケミコン	
	C24	UR249680 C. EL	6800uF 25V		ケミコン	
	C25	UR249330 C. EL	3300uF 25V		ケミコン	
	C26-29	UR267100 C. EL	10uF 50V		ケミコン	
	C30-32	US035100 C. CE. CHP	0.1uF 16V B		チップセラコン	01
	C33	US035100 C. CE. CHP	0.1uF 16V B	UC	チップセラコン	01
	C34-35	UR267470 C. EL	47uF 50V		ケミコン	01
	C36	UU238100 C. EL	100uF 16V		ケミコン	
	C37-38	UU297100 C. EL	10uF 100V	JUC	ケミコン FW	
	C39	UU238100 C. EL	100uF 16V		ケミコン	
	C40	WE102900 C. PP	0.01uF 100V		P P コン	
	C41-45	V9415100 C. EL	10uF 16V		ケミコン	01
	C46	WE100400 C. PP	47pF 630V	JUC	P P コン	
	C46	WE100500 C. PP	100pF 630V	RTKABGL	P P コン	

* New Parts * 新規部品

P.C.B. POWER

Ref No.	Part No.	Description	Remarks	Markets	部 品 名	Rank
C47	WE100900	C. PP	220pF 630V		PPコン	
C48	UR267100	C. EL	10uF 50V		ケミコン	
C49	WE100400	C. PP	47pF 630V	JUC	PPコン	
C49	WE100500	C. PP	100pF 630V	RTKABGL	PPコン	
C50	WE100900	C. PP	220pF 630V		PPコン	
C51	UR267100	C. EL	10uF 50V		ケミコン	
C52	WE100400	C. PP	47pF 630V	JUC	PPコン	
C52	WE100500	C. PP	100pF 630V	RTKABGL	PPコン	
C53	WE100900	C. PP	220pF 630V		PPコン	
C54	UR267100	C. EL	10uF 50V		ケミコン	
C55	WE100400	C. PP	47pF 630V	JUC	PPコン	
C55	WE100500	C. PP	100pF 630V	RTKABGL	PPコン	
C56	WE100900	C. PP	220pF 630V		PPコン	
C57	UR267100	C. EL	10uF 50V		ケミコン	
C58	WE100400	C. PP	47pF 630V	JUC	PPコン	
C58	WE100500	C. PP	100pF 630V	RTKABGL	PPコン	
C59	WE100900	C. PP	220pF 630V		PPコン	
C60	UR267100	C. EL	10uF 50V		ケミコン	
C61-62	UU268100	C. EL	100uF 50V		ケミコン	01
C63-64	UU267470	C. EL	47uF 50V		ケミコン	01
C65	UU268100	C. EL	100uF 50V		ケミコン	01
C66-69	WE100100	C. PP	15pF 630V		PPコン	
C70	WE100100	C. PP	15pF 630V		PPコン	
C71-75	WE101700	C. PP	1000pF 100V		PPコン	
C76	UR266470	C. EL	4.7uF 50V		ケミコン	
C77	UR267470	C. EL	47uF 50V		ケミコン	01
C78	UR218220	C. EL	220uF 6.3V		ケミコン	
C79	UR237100	C. EL	10uF 16V		ケミコン	
C80	UR237100	C. EL	10uF 16V		ケミコン	
C81	WE100400	C. PP	47pF 630V		PPコン	
C82	UA652220	C. MYLAR	220pF 50V J		マイラーコン	01
C83	UR267100	C. EL	10uF 50V		ケミコン	
C84	WE100400	C. PP	47pF 630V		PPコン	
C85	UA652220	C. MYLAR	220pF 50V J		マイラーコン	01
C86	UR267100	C. EL	10uF 50V		ケミコン	
C87	UR297220	C. EL	22uF 100V	JUC	ケミコン	
C87	UR297470	C. EL	47uF 100V	RTKABGL	ケミコン	01
C88	UR297220	C. EL	22uF 100V		ケミコン	
C89	UR267470	C. EL	47uF 50V		ケミコン	01
C90	UR267470	C. EL	47uF 50V		ケミコン	01
C91-92	UA653100	C. MYLAR	1000pF 50V J		マイラーコン	03
C93-94	WE100100	C. PP	15pF 630V		PPコン	
C95	WE100900	C. PP	220pF 630V		PPコン	
C96	UU297100	C. EL	10uF 100V		ケミコン FW	
C98	UR267470	C. EL	47uF 50V		ケミコン	01
C99	UR297220	C. EL	22uF 100V		ケミコン	
C100	UR297220	C. EL	22uF 100V		ケミコン	
C101	UR267470	C. EL	47uF 50V	UC	ケミコン	01
C102	US035100	C. CE. CHP	0.1uF 16V B		チップセラコン	01
C103	US035100	C. CE. CHP	0.1uF 16V B	UC	チップセラコン	01
* C104-106	UU23A150	C. EL	15000uF 16V		ケミコン FW	
C107	UR247100	C. EL	10uF 25V		ケミコン	
C108	UR218470	C. EL	470uF 6.3V	UC	ケミコン	
C111	US035100	C. CE. CHP	0.1uF 16V B		チップセラコン	01

* New Parts * 新規部品

P.C.B. POWER

Ref No.	Part No.	Description	Remarks	Markets	部 品 名	Rank
C112-114	US065100	C. CE. CHP	0. 1uF 50V B		チップセラコン	
C210	UR297470	C. EL	47uF 100V		ケミコン	01
C369-371	US035100	C. CE. CHP	0. 1uF 16V B		チップセラコン	01
C372	UR267470	C. EL	47uF 50V		ケミコン	01
C495	UR267470	C. EL	47uF 50V		ケミコン	01
C499	UU266220	C. EL	2. 2uF 50V		ケミコン FW	01
C500	UR267470	C. EL	47uF 50V		ケミコン	01
C501	UU266100	C. EL	1uF 50V		ケミコン	01
D1	VD631600	DIODE	1SS133, 176		ダイオード	01
D2	VD631600	DIODE	1SS133, 176		ダイオード	01
D3	VD631600	DIODE	1SS133, 176		ダイオード	01
D4	VD631600	DIODE	1SS133, 176		ダイオード	01
* D5	WA631200	DIODE. ZENR	HZS3B1TD 3. 0V TP		ツェナーダイオード	
D6	VG438300	DIODE. ZENR	MTZJ6. 8B 6. 8V		ツェナーダイオード	01
D7	VG439500	DIODE. ZENR	MTZJ10B 10V		ツェナーダイオード	01
D8	VD631600	DIODE	1SS133, 176		ダイオード	01
D9	VG438700	DIODE. ZENR	MTZJ7. 5C 7. 5V		ツェナーダイオード	01
△ D10	V4756800	DIODE	S1NB60 1. 0A 600V		D i スタック	01
△ D11	VR253700	DIODE. BRG	S1NB20 1A 200V		D l ブリッジ	02
△ D12-14	V6855600	DIODE. BRG	D4SBS4-4101 4A		ダイオードブリッジ	03
△ D15	V4269600	DIODE. BRG	D2SBA20 1. 5A 200V		ダイオードブリッジ	
D16	VG440400	DIODE. ZENR	MTZJ13A 13V		ツェナーダイオード	01
D19	VU993400	DIODE. ZENR	MA8062-M 6. 2V		ツェナーダイオード	01
D20	VS997800	DIODE	1T2		ダイオード	01
D21	VS858600	DIODE. ZENR	HZS24-1 24V		ツェナーダイオード	01
D22-23	VU996600	DIODE. ZENR	MA8130-M 13. 0V		ツェナーダイオード	01
D24	VU991700	DIODE. ZENR	MA8043-L 4. 1V		ツェナーダイオード	01
D28	V2376600	DIODE. SHOT	RB500V-40	UC	ショットキーダイオード	01
D30	VT332900	DIODE	1SS355		ダイオード	01
D31	VT332900	DIODE	1SS355	UC	ダイオード	01
D40-42	VD631600	DIODE	1SS133, 176		ダイオード	01
D43-45	WA180300	DIODE	1SS244		ダイオード	01
D46	VG437200	DIODE. ZENR	MTZJ4. 7C 4. 7V		ツェナーダイオード	01
D47-49	WA180300	DIODE	1SS244		ダイオード	01
D50-54	WA180300	DIODE	1SS244		ダイオード	01
D56	VG437400	DIODE. ZENR	MTZJ5. 1B 5. 1V		ツェナーダイオード	01
D323	VT332900	DIODE	1SS355		ダイオード	01
△ F1	KB001390	FUSE	10A 250V	JUCRL	ヒューズ	03
△ F1	KB003250	FUSE	TL6. 3A	TKABG	ヒューズ	01
△ F2	VS823400	FUSE	10A 125V	UC	ヒューズ	01
△ F2	VT942900	FUSE	T2. 5A 250V	G	ヒューズ	01
△ F3	KB003250	FUSE	TL6. 3A	RL	ヒューズ	01
△ IC1-2	V8100500	PHOT. CPL	TLP421 GR		フォトカブラ	01
△ IC3	iG001180	IC	TC4013BP FF		ロジック IC	05
△ IC4	XU814A00	IC	P005RD11 +5V 1. 0A		電源 IC	03
△ IC5-6	X2530A00	IC	P005RD21 +5V 2. 0A		電源 IC	03
△ IC7	XU814A00	IC	P005RD11 +5V 1. 0A	UC	電源 IC	03
* △ IC317-318	X7218A00	IC	P030RV21		電源 IC	
△ IC319	X2530A00	IC	P005RD21 +5V 2. 0A		電源 IC	03
△ IC320	XE436A00	IC	NUM79M05FA		IC	03
PN1	V9637500	PIN	L=70 #18		スタイルピン	
PN40	V9637500	PIN	L=70 #18		スタイルピン	
PN42-47	V9637500	PIN	L=70 #18		スタイルピン	
PN303	V9637500	PIN	L=70 #18		スタイルピン	

* New Parts * 新規部品

P.C.B. POWER

Ref No.	Part No.	Description	Remarks	Markets	部 品 名	Rank
Q1	VV912300	TR. DGT	DTC144ESA-TP		デジタルトランジスタ	
Q2	iC181510	TR	2SC1815 Y		トランジスタ	01
Q3	iC181510	TR	2SC1815 Y		トランジスタ	01
Q4	iC181510	TR	2SC1815 Y		トランジスタ	01
Q5	iC181510	TR	2SC1815 Y		トランジスタ	01
△ Q6	WC741200	FET	2SK3850		F E T	
Q7	iE102620	FET	2SK246 Y		F E T	01
* △ Q8	WF691400	TR	2SD2014		トランジスタ	
* Q9	VR043100	FET	2SK208 Y		チップ F E T	01
* Q10-12	VR043100	FET	2SK208 Y		チップ F E T	01
* △ Q13-14	WF691400	TR	2SD2014		トランジスタ	
* △ Q15	WF691300	TR	2SB1257		トランジスタ	
* △ Q16	WF691400	TR	2SD2014		トランジスタ	
Q17	VW556500	TR	2SA1037K Q, R, S		トランジスタ	01
Q18	VW556500	TR	2SA1037K Q, R, S	UC	トランジスタ	01
Q20	iC181510	TR	2SC1815 Y		トランジスタ	01
△ Q21	VC141900	TR	2SB941 P, Q		トランジスタ	04
Q40-49	iC224030	TR	2SC2240 GR, BL		トランジスタ	01
Q50-54	V3966800	TR	2SA949 O, Y		トランジスタ	02
Q55	iA097030	TR	2SA970 GR, BL		トランジスタ	01
Q56-58	iC224030	TR	2SC2240 GR, BL		トランジスタ	01
Q59	iA097030	TR	2SA970 GR, BL		トランジスタ	01
Q60-61	iC224030	TR	2SC2240 GR, BL		トランジスタ	01
△ Q62	VC938500	TR	2SC3852		トランジスタ	02
△ Q63	VC614000	TR	2SB1274 Q, R, S		トランジスタ	02
Q64-65	V3966800	TR	2SA949 O, Y		トランジスタ	02
Q66	iA097030	TR	2SA970 GR, BL		トランジスタ	01
Q67-68	iC224030	TR	2SC2240 GR, BL		トランジスタ	01
Q319	VW655000	TR. DGT	DTA114EKA		デジタルトランジスタ	01
Q320	VW556400	TR	2SC2412K Q, R, S		トランジスタ	01
△ Q321	VP872700	TR	2SC4488 S, T		トランジスタ	01
Q323	VW655300	TR. DGT	DTA144EKA		デジタルトランジスタ	01
R9	V6730000	R. CAR.	2.2MΩ 1/2W	UC	放電抵抗	01
R13	VU224000	R. MTL. FLM	0.22Ω 1W		金属被膜抵抗	01
R19		R. CHP	47KΩ 1/16W J	UC	チップ抵抗	
△ R20	HV754100	R. CAR. FP	10Ω 1/4W		不燃化カーボン抵抗	01
R23	HV756330	R. CAR. FP	3.3KΩ 1/4W		不燃化カーボン抵抗	01
R24	HV756470	R. CAR. FP	4.7KΩ 1/4W		不燃化カーボン抵抗	01
R25	HV755100	R. CAR. FP	100Ω 1/4W		不燃化カーボン抵抗	01
R26	VP939800	R. MTL. OXD	10Ω 1W		酸化金属被膜抵抗	01
R31	HV753470	R. CAR. FP	4.7Ω 1/4W		不燃化カーボン抵抗	01
R32	HV755100	R. CAR. FP	100Ω 1/4W		不燃化カーボン抵抗	01
△ R39	HV753470	R. CAR. FP	4.7Ω 1/4W		不燃化カーボン抵抗	01
R40	HF353220	R. CAR	2.2Ω 1/2W		カーボン抵抗	
R41-42	HF358100	R. CAR	100KΩ 1/2W		カーボン抵抗	
R45	HF358100	R. CAR	100KΩ 1/2W		カーボン抵抗	
R51-52	HF355220	R. CAR	220Ω 1/2W		カーボン抵抗	
R55	HF355220	R. CAR	220Ω 1/2W		カーボン抵抗	
R61	HF357330	R. CAR	33KΩ 1/2W		カーボン抵抗	
R62-63	HF356220	R. CAR	2.2KΩ 1/2W		カーボン抵抗	
R67	HF356220	R. CAR	2.2KΩ 1/2W		カーボン抵抗	
R68	HF357330	R. CAR	33KΩ 1/2W		カーボン抵抗	
R70	HF357330	R. CAR	33KΩ 1/2W		カーボン抵抗	
R76-77	HF356120	R. CAR	1.2KΩ 1/2W		カーボン抵抗	

* New Parts * 新規部品

P.C.B. POWER & P.C.B. INPUT

Ref No.	Part No.	Description	Remarks	Markets	部 品 名	Rank
R80	HF356120	R. CAR	1.2K Ω 1/2W		カーボン抵抗	
R81-82	HF357330	R. CAR	33K Ω 1/2W		カーボン抵抗	
R85	HF357330	R. CAR	33K Ω 1/2W		カーボン抵抗	
R86-87	HF355330	R. CAR	330 Ω 1/2W		カーボン抵抗	
R90	HF355330	R. CAR	330 Ω 1/2W		カーボン抵抗	
R91	V3733100	R. MTL. OXD	39 Ω 1W		酸化金属被膜抵抗	
R92	HF355470	R. CAR	470 Ω 1/2W		カーボン抵抗	
R93	V3733100	R. MTL. OXD	39 Ω 1W		酸化金属被膜抵抗	
R94	HF355470	R. CAR	470 Ω 1/2W		カーボン抵抗	
R95-96	HV754390	R. CAR. FP	39 Ω 1/4W		不燃化カーボン抵抗	01
R97	V3733100	R. MTL. OXD	39 Ω 1W		酸化金属被膜抵抗	
R98	HF355470	R. CAR	470 Ω 1/2W		カーボン抵抗	
R101-102	HF357470	R. CAR	47K Ω 1/2W		カーボン抵抗	
R105	HF357470	R. CAR	47K Ω 1/2W		カーボン抵抗	
R138	HF353220	R. CAR	2.2 Ω 1/2W		カーボン抵抗	
R145-146	HV754390	R. CAR. FP	39 Ω 1/4W		不燃化カーボン抵抗	01
R153	HV756470	R. CAR. FP	4.7K Ω 1/4W		不燃化カーボン抵抗	01
R154	HV756680	R. CAR. FP	6.8K Ω 1/4W		不燃化カーボン抵抗	01
R155	HV756820	R. CAR. FP	8.2K Ω 1/4W		不燃化カーボン抵抗	
△ R160-162	HV753470	R. CAR. FP	4.7 Ω 1/4W		不燃化カーボン抵抗	01
R164	HV757100	R. CAR. FP	10K Ω 1/4W		不燃化カーボン抵抗	01
△ R166	HV754100	R. CAR. FP	10 Ω 1/4W		不燃化カーボン抵抗	01
△ R168	HV754100	R. CAR. FP	10 Ω 1/4W		不燃化カーボン抵抗	01
R169		R. CHP	1K Ω 1/16W J	UC	チップ抵抗	
△ R170-173	HV755100	R. CAR. FP	100 Ω 1/4W		不燃化カーボン抵抗	01
R180-181		R. CHP	10K Ω 1/16W J	UC	チップ抵抗	
△ R499	VP939500	R. MTL. OXD	1 Ω 1W		酸化金属被膜抵抗	01
△ R500-501	VP939500	R. MTL. OXD	1 Ω 1W		酸化金属被膜抵抗	01
△ RY1	V9366900	RELAY	DLS9D1-0(M)0.25W		リレー 9V TV-8	05
ST301	WA246200	SCR. TERM	3.5		スクリューターミナル	
* △ SW1	WB493700	VOLT. SELECT	R8140246	RL	電圧切替器	
* △ T1	X7032A00	TRANS. PWR		J	電源トランス	
* △ T1	X7033A00	TRANS. PWR		UC	電源トランス	
* △ T1	X7034A00	TRANS. PWR		RL	電源トランス	
* △ T1	X7035A00	TRANS. PWR		TKABG	電源トランス	
△ TE1	VU543100	OUTLET. AC	2P	JUC	ACアウトレット	03
△ TE1	V5867400	OUTLET. AC	2P AC-182-GB-11V	RT	ACアウトレット 2P	
△ TE1	VT915000	OUTLET. AC	1P	A	ACアウトレット	06
△ TE1	VU543300	OUTLET. AC	1P	B	ACアウトレット	05
△ TE1	VU543400	OUTLET. AC	2P	GL	ACアウトレット	05
△ TE2	WB893300	AC INLET	R-30190	J	ACインレット 2P	03
△ TE2	WB782600	AC INLET	R-30190(26)	UCRTKABGL	ACインレット 2P	
* △ TH1	VV458400	POLY SW	RUEF600 6.00A 30V		ポリスイッチ	
	VT669300	SCR. BW. HD	3x8-8 MFC2		PWヘッドBタイトネジ	01
* △	WG082400	P. C. B.	INPUT	J	P C B インプット	
* △	WG082500	P. C. B.	INPUT	UC	P C B インプット	
* △	WG082600	P. C. B.	INPUT	RTKABGL	P C B インプット	
* △	CB301	VU443800	CN		JE コネクタープラグ	01
	CB302	V7828200	SOCKET		コネクタースOCKET	
	CB303-304	V8875300	CN		JE コネクタープラグ	01
	CB305	V7826500	CN		コネクタープラグ	01

* New Parts * 新規部品

P.C.B. INPUT

Ref No.	Part No.	Description	Remarks	Markets	部 品 名	Rank	
*	CB306	V8809800 CN	JE 9P SE			J E コネクタープラグ	01
	CB307	VB858400 CN. BS. PIN	5P		UC	ベースピン	01
	CB308	V7826500 CN	15P TE TUC SERIES			コネクタープラグ	01
	CB309	V7828200 SOCKET	15P TE TUC SERIES			コネクターソケット	
	CB315-316	V7827000 CN	20P TE TUC SERIES			コネクタープラグ	01
	CB317	V7825600 CN	6P TE TUC SERIES			コネクタープラグ	
	CB332	VB390800 CN. BS. PIN	12P			コネクタベースポスト	01
	CB600	VP798200 CN. BS. PIN	24P			F F C コネクター	01
	C301-302	US135100 C. CE. CHIP	0.1uF 16V			チップセラコン	01
	C303-304	US062220 C. CE. CHIP	220pF 50V B		RTKABGL	チップセラコン	01
	C305-306	US062220 C. CE. CHIP	220pF 50V B			チップセラコン	01
	C307-308	US062100 C. CE. CHIP	100pF 50V B			チップセラコン	01
	C309-310	US062220 C. CE. CHIP	220pF 50V B			チップセラコン	01
	C311-312	US062100 C. CE. CHIP	100pF 50V B			チップセラコン	01
	C313-314	UA652220 C. MYLAR	220pF 50V J			マイラーコン	01
	C315-316	US062220 C. CE. CHIP	220pF 50V B			チップセラコン	01
	C317-320	UA652220 C. MYLAR	220pF 50V J			マイラーコン	01
	C321	UA652470 C. MYLAR	470pF 50V J			マイラーコン	01
	C322	UA652220 C. MYLAR	220pF 50V J			マイラーコン	01
	C323-328	UR266220 C. EL	2.2uF 50V			ケミコン	
	C329-330	UR218220 C. EL	220uF 6.3V			ケミコン	
	C331-332	UA654390 C. MYLAR	0.039uF 50V J			マイラーコン	01
	C333-334	UA654110 C. MYLAR	0.011uF 50V J			マイラーコン	01
	C335-342	UR237100 C. EL	10uF 16V			ケミコン	
	C343-344	UR237470 C. EL	47uF 16V			ケミコン	
	C345-348	UA653100 C. MYLAR	1000pF 50V J			マイラーコン	03
	C349-350	UR267470 C. EL	47uF 50V			ケミコン	01
	C351-354	UR237100 C. EL	10uF 16V			ケミコン	
	C355-356	UR267470 C. EL	47uF 50V			ケミコン	01
	C357-358	UR266470 C. EL	4.7uF 50V			ケミコン	
	C359-360	UT952100 C. PP	100pF 100V			P P コン	
	C361-362	UR267470 C. EL	47uF 50V			ケミコン	01
	C363	US135100 C. CE. CHIP	0.1uF 16V			チップセラコン	01
	C364-365	UR266470 C. EL	4.7uF 50V			ケミコン	
	C366	US135100 C. CE. CHIP	0.1uF 16V			チップセラコン	01
	C367-368	UR237100 C. EL	10uF 16V			ケミコン	
	C373-376	US062470 C. CE. CHIP	470pF 50V B			チップセラコン	01
	C377-380	US062220 C. CE. CHIP	220pF 50V B			チップセラコン	01
	C381-382	US062100 C. CE. CHIP	100pF 50V B			チップセラコン	01
	C383-384	US062220 C. CE. CHIP	220pF 50V B			チップセラコン	01
	C385-386	US062100 C. CE. CHIP	100pF 50V B			チップセラコン	01
	C387-388	UA652220 C. MYLAR	220pF 50V J			マイラーコン	01
	C389-390	US062220 C. CE. CHIP	220pF 50V B			チップセラコン	01
	C391-394	UR266470 C. EL	4.7uF 50V			ケミコン	
	C395	UR237100 C. EL	10uF 16V			ケミコン	
	C396	US135100 C. CE. CHIP	0.1uF 16V			チップセラコン	01
	C397	UR237100 C. EL	10uF 16V			ケミコン	
	C398-399	UR237470 C. EL	47uF 16V			ケミコン	
	C400-401	UR237220 C. EL	22uF 16V			ケミコン	
	C403	UR237470 C. EL	47uF 16V			ケミコン	
	C404	US135100 C. CE. CHIP	0.1uF 16V			チップセラコン	01
	C405-406	US034680 C. CE. CHIP	0.068uF 16V K			チップセラコン	01
	C407-414	VR168300 C. MYLAR	0.1uF 50V			マイラーコン	01
	C415-418	UA653270 C. MYLAR	2700pF 50V J			マイラーコン	01

* New Parts * 新規部品

P.C.B. INPUT

Ref No.	Part No.	Description	Remarks	Markets	部 品 名	Rank
C419	US135100	C. CE. CHP	0. 1uF 16V		チップセラコン	01
C420-421	UR267470	C. EL	47uF 50V		ケミコン	01
C422-425	UR266470	C. EL	4. 7uF 50V		ケミコン	
C426-429	US135100	C. CE. CHP	0. 1uF 16V		チップセラコン	01
C430	UR237470	C. EL	47uF 16V		ケミコン	
C431	US135100	C. CE. CHP	0. 1uF 16V		チップセラコン	01
C432-434	UR237100	C. EL	10uF 16V		ケミコン	
C435	UR237470	C. EL	47uF 16V		ケミコン	
C436	UR237100	C. EL	10uF 16V		ケミコン	
C437	US135100	C. CE. CHP	0. 1uF 16V		チップセラコン	01
C438-439	UR237100	C. EL	10uF 16V		ケミコン	
C441-442	US063100	C. CE. CHP	1000pF 50V B		チップセラコン	01
C443-444	US135100	C. CE. CHP	0. 1uF 16V		チップセラコン	01
C445-447	US063100	C. CE. CHP	1000pF 50V B		チップセラコン	01
C448-451	UA652470	C. MYLAR	470pF 50V J		マイラーコン	01
C452	VE326800	C. MYLAR	0. 47uF 50V		マイラーコン	01
C453-455	UA652470	C. MYLAR	470pF 50V J		マイラーコン	01
C456	US063100	C. CE. CHP	1000pF 50V B		チップセラコン	01
C461	UR218100	C. EL	100uF 6. 3V		ケミコン	
C600-602	US064100	C. CE. CHP	0. 01uF 50V B		チップセラコン	01
C603	US135100	C. CE. CHP	0. 1uF 16V		チップセラコン	01
C604	UM388100	C. EL	100uF 10V		ケミコン	01
C605-606	US064100	C. CE. CHP	0. 01uF 50V B		チップセラコン	01
C607	US135100	C. CE. CHP	0. 1uF 16V		チップセラコン	01
C608	UR218330	C. EL	330uF 6. 3V		ケミコン	
C609-610	US062100	C. CE. CHP	100pF 50V B		チップセラコン	01
C611	UR218330	C. EL	330uF 6. 3V		ケミコン	
C612	US135100	C. CE. CHP	0. 1uF 16V		チップセラコン	01
C614	US062100	C. CE. CHP	100pF 50V B		チップセラコン	01
C615-616	US064100	C. CE. CHP	0. 01uF 50V B		チップセラコン	01
C617	US135100	C. CE. CHP	0. 1uF 16V		チップセラコン	01
C627	UR267470	C. EL	47uF 50V		ケミコン	01
D301-302	VT332900	DIODE	1SS355		ダイオード	01
D305-308	VT332900	DIODE	1SS355		ダイオード	01
D309-310	V2598200	LED	S1R-505ST		L E D	
D311-312	VT332900	DIODE	1SS355		ダイオード	01
D313-314	VU992100	DIODE	MA8047-L 4. 6V		ツェナーダイオード	01
* D600-601	VU171600	DIODE. ZENR	UDZS3. 9BTE-17 3. 9V		ツェナーダイオード	01
D608	VT332900	DIODE	1SS355		ダイオード	01
D611-616	VT332900	DIODE	1SS355		ダイオード	01
IC301	X5045A00	IC	NJU7312AM		アナログIC	
IC302	X5043A00	IC	NJU7313AM		アナログIC	
IC303	X3547A00	IC	BD3841FS		IC	06
IC304-308	X3505A00	IC	NJM2068MD-TE2		アンプIC SOP	02
IC309	X3547A00	IC	BD3841FS		IC	06
* IC310-311	X5574A00	IC	YAC526-EZE2		IC アナログ	05
* IC312-313	X6878A00	IC	LC75348M		IC アナログ	
IC600-601	X6386A00	IC	M66003-0131FP		IC	07
* JK301	WD195900	JACK. MNI	2P	550	ミニ ジャック	
* JK302-305	V9435700	JACK. MNI	MSJ-035-12APC		モノラル ミニジャック	
PJ301	VV551500	JACK. PIN	4P		J ピンジャック	05
PJ301	VV306900	JACK. PIN	4P		UCRTKABGL ピンジャック	02
PJ302	VV551500	JACK. PIN	4P		J ピンジャック	05
PJ302	VV306900	JACK. PIN	4P		UCRTKABGL ピンジャック	02

* New Parts * 新規部品

P.C.B. INPUT & P.C.B. A-VIDEO

Ref No.	Part No.	Description	Remarks	Markets	部 品 名	Rank	
*	PJ303	V9763900	JACK. PIN	4P RJ-1073F-09-055	J	ピンジャック	
	PJ303	V5478700	JACK. PIN	4P RJ-1073F-09	UCRTKABGL	ピンジャック	
	PJ304	V9796900	JACK. PIN	6P MSP-246V1-32 GILT	J	ピンジャック	
*	PJ304	V5478900	JACK. PIN	6P RJ-1074-84-0353	UCRTKABGL	ピンジャック	
	PJ305	V5634800	JACK. PIN	6P	J	ピンジャック	04
	PJ305	V325400	JACK. PIN	6P	UCRTKABGL	ピンジャック	05
	PJ306	V5634800	JACK. PIN	6P	J	ピンジャック	04
	PJ306	V325400	JACK. PIN	6P	UCRTKABGL	ピンジャック	05
	PJ307	V5634800	JACK. PIN	6P	J	ピンジャック	04
	PJ307	V325400	JACK. PIN	6P	UCRTKABGL	ピンジャック	05
	PJ308	V551500	JACK. PIN	4P	J	ピンジャック	05
	PJ308	V306900	JACK. PIN	4P	UCRTKABGL	ピンジャック	02
	PJ309	WB791700	JACK. PIN	4P RJ-1073-39-0551	J	ピンジャック	04
	PJ309	V5479100	JACK. PIN	4P RJ-1073-39-0351	UCRTKABGL	ピンジャック	03
	PN301	V9637500	PIN	L=70 #18		スタイルピン	
	PN600	V9637500	PIN	L=70 #18		スタイルピン	
	PN602	V9637500	PIN	L=70 #18		スタイルピン	
	Q301-308	VZ725900	TR	2SD1938F S, T		トランジスタ	01
	Q309	VP872600	TR	2SA1708 S, T		トランジスタ	01
	Q310	VW655700	TR. DGT	DTC144EKA		デジタルトランジスタ	01
	Q311	VP872600	TR	2SA1708 S, T		トランジスタ	01
	Q312	VW655700	TR. DGT	DTC144EKA		デジタルトランジスタ	01
	Q600-608	VW556400	TR	2SC2412K Q, R, S		トランジスタ	01
	Q609	VW655400	TR. DGT	DTC114EKA		デジタルトランジスタ	01
	R324		R. CHP	47Ω 1/16W J	JUC	チップ抵抗	
	R324		R. CHP	2.2KΩ 1/16W J	RTKABGL	チップ抵抗	
	R325		R. CHP	47Ω 1/16W J	JUC	チップ抵抗	
	R325		R. CHP	2.2KΩ 1/16W J	RTKABGL	チップ抵抗	
	R365-366	HV755100	R. CAR. FP	100Ω 1/4W		不燃化カーボン抵抗	01
	R375-376	VP939700	R. MTL. OXD	4.7Ω 1W		酸化金属被膜抵抗	01
	R387-390	HF355470	R. CAR	470Ω 1/2W		カーボン抵抗	
	R444	VP939700	R. MTL. OXD	4.7Ω 1W		酸化金属被膜抵抗	01
	R450	VP939700	R. MTL. OXD	4.7Ω 1W		酸化金属被膜抵抗	01
	R467-474	HF354470	R. CAR	47Ω 1/2W		カーボン抵抗	
	R477-478	HF354270	R. CAR	27Ω 1/2W J		カーボン抵抗	
	R600-601	HL005100	R. MTL. OXD	100Ω 1/2W		酸化金属被膜抵抗	
	ST301-302	V4040500	SCR. TERM	M3		スクリュー/ターミナル	01
	SW600-615	V4757100	SW. TACT	EVO11A		タクトSW	01
	U301	V8210200	L. DTCT	GP1UD271XK		リモコン受光ユニット	03
	U600	V8210200	L. DTCT	GP1UD271XK		リモコン受光ユニット	03
*	V600	WF875800	FL. DSPLY	HNA-16ML10T		蛍光表示管	
		V6007000	SHEET			シート/FL	03
		V3747400	SPACER. FL	T4x6x18		スペーサ/FL	01
*		WF649700	SUPRT			サポート/FL	
*		WG081400	P. C. B.	A-VIDEO	J	P C B A-V I D E O	
*		WG081500	P. C. B.	A-VIDEO	UC	P C B A-V I D E O	
*		WG081600	P. C. B.	A-VIDEO	RK	P C B A-V I D E O	
*		WG081700	P. C. B.	A-VIDEO	TABGL	P C B A-V I D E O	
	CB601	V7827800	SOCKET	11P SE TUC SERIES		コネクタソケット	
	CB602	V0047800	CN. BS. PIN	27P		FFCコネクタ	02
	CB603	V7828700	SOCKET	20P SE TUC SERIES		コネクタソケット	01

* New Parts * 新規部品

P.C.B. A-VIDEO

Ref No.	Part No.	Description	Remarks	Markets	部 品 名	Rank
CB701	V7828100	SOCKET	14P TE TUC SERIES		コネクタースOCKET	
CB703	V0045600	CN. BS. PIN	27P SE		F F Cコネクタ	03
CB704	V7827300	SOCKET	6P TE TUC SERIES		コネクタースOCKET	
C611-613	US060800	C. CE. CHP	8pF 50V B		チップセラコン	01
C621-632	US064100	C. CE. CHP	0.01uF 50V B	J	チップセラコン	01
C633-635	US060800	C. CE. CHP	8pF 50V B	J	チップセラコン	01
C637-639	US060300	C. CE. CHP	3pF 50V B		チップセラコン	01
C641	US135100	C. CE. CHP	0.1uF 16V		チップセラコン	01
C642	UR237470	C. EL	47uF 16V		ケミコン	
C643	US135100	C. CE. CHP	0.1uF 16V		チップセラコン	01
C644	UR237470	C. EL	47uF 16V		ケミコン	
C645	US135100	C. CE. CHP	0.1uF 16V		チップセラコン	01
C646	UR237470	C. EL	47uF 16V		ケミコン	
C647	US135100	C. CE. CHP	0.1uF 16V		チップセラコン	01
C648	UR237470	C. EL	47uF 16V		ケミコン	
C649	US135100	C. CE. CHP	0.1uF 16V		チップセラコン	01
C650	UR237470	C. EL	47uF 16V		ケミコン	
C651	US135100	C. CE. CHP	0.1uF 16V		チップセラコン	01
C652	UR237470	C. EL	47uF 16V		ケミコン	
C653	US135100	C. CE. CHP	0.1uF 16V		チップセラコン	01
C654	UR237470	C. EL	47uF 16V		ケミコン	
C655	US135100	C. CE. CHP	0.1uF 16V		チップセラコン	01
C656	UR237470	C. EL	47uF 16V		ケミコン	
C657	US135100	C. CE. CHP	0.1uF 16V		チップセラコン	01
C658	UR237470	C. EL	47uF 16V		ケミコン	
C659	US135100	C. CE. CHP	0.1uF 16V		チップセラコン	01
C660	UR237470	C. EL	47uF 16V		ケミコン	
C661	US135100	C. CE. CHP	0.1uF 16V		チップセラコン	01
C662-663	UR237470	C. EL	47uF 16V		ケミコン	
C664-665	US135100	C. CE. CHP	0.1uF 16V		チップセラコン	01
C666	UR237470	C. EL	47uF 16V		ケミコン	
C669	US135100	C. CE. CHP	0.1uF 16V		チップセラコン	01
C670	UR237470	C. EL	47uF 16V		ケミコン	
C673	US135100	C. CE. CHP	0.1uF 16V		チップセラコン	01
C674	UR237470	C. EL	47uF 16V		ケミコン	
C677	UR218330	C. EL	330uF 6.3V		ケミコン	
C678	US135100	C. CE. CHP	0.1uF 16V		チップセラコン	01
* C679	UR238330	C. EL	330uF 16V		ケミコン	
C680	US135100	C. CE. CHP	0.1uF 16V		チップセラコン	01
C681	UR218330	C. EL	330uF 6.3V		ケミコン	
C682	US135100	C. CE. CHP	0.1uF 16V		チップセラコン	01
C683	UR266100	C. EL	1uF 50V		ケミコン	
C684-685	US135100	C. CE. CHP	0.1uF 16V	J	チップセラコン	01
C686	US135100	C. CE. CHP	0.1uF 16V		チップセラコン	01
C687-690	UR266100	C. EL	1uF 50V		ケミコン	
C693	UR238470	C. EL	470uF 16V		ケミコン	
C695	US064100	C. CE. CHP	0.01uF 50V B		チップセラコン	01
C696	UR266220	C. EL	2.2uF 50V		ケミコン	
C697	US135100	C. CE. CHP	0.1uF 16V		チップセラコン	01
C698	UR238100	C. EL	100uF 16V		ケミコン	
C699	US135100	C. CE. CHP	0.1uF 16V		チップセラコン	01
C701-705	US135100	C. CE. CHP	0.1uF 16V	JUC	チップセラコン	01
C706-708	US061470	C. CE. CHP	47pF 50V B		チップセラコン	01
C709	US135100	C. CE. CHP	0.1uF 16V		チップセラコン	01

* New Parts * 新規部品

P.C.B. A-VIDEO

Ref No.	Part No.	Description	Remarks	Markets	部 品 名	Rank
C710-712	US061470	C. CE. CHIP	47pF 50V B		チップセラコン	01
C713	US135100	C. CE. CHIP	0.1uF 16V		チップセラコン	01
C714-716	US062100	C. CE. CHIP	100pF 50V B		チップセラコン	01
C718	US135100	C. CE. CHIP	0.1uF 16V		チップセラコン	01
C720-721	US062100	C. CE. CHIP	100pF 50V B		チップセラコン	01
C742-743	UR237470	C. EL	47uF 16V		ケミコン	
C745-746	UR237470	C. EL	47uF 16V		ケミコン	
C748-750	UR237470	C. EL	47uF 16V		ケミコン	
C752-754	US135100	C. CE. CHIP	0.1uF 16V		チップセラコン	01
C755	UR218220	C. EL	220uF 6.3V		ケミコン	
C756	US135100	C. CE. CHIP	0.1uF 16V		チップセラコン	01
C757	UR218220	C. EL	220uF 6.3V		ケミコン	
C758	US135100	C. CE. CHIP	0.1uF 16V		チップセラコン	01
C759-760	UR218100	C. EL	100uF 6.3V		ケミコン	
C761-762	US135100	C. CE. CHIP	0.1uF 16V		チップセラコン	01
C763	UR218220	C. EL	220uF 6.3V		ケミコン	
C764-765	US135100	C. CE. CHIP	0.1uF 16V		チップセラコン	01
C766	UR218220	C. EL	220uF 6.3V		ケミコン	
C771-772	UR266470	C. EL	4.7uF 50V		ケミコン	
C776	UR237100	C. EL	10uF 16V		ケミコン	
C777	UR266470	C. EL	4.7uF 50V		ケミコン	
C778	UR218100	C. EL	100uF 6.3V		ケミコン	
C779	UR218330	C. EL	330uF 6.3V		ケミコン	
C780	UR218100	C. EL	100uF 6.3V		ケミコン	
C781-782	US060300	C. CE. CHIP	3pF 50V B	JUCRK	チップセラコン	01
C783-784	US061240	C. CE. CHIP	24pF 50V B		チップセラコン	01
C785	US060300	C. CE. CHIP	3pF 50V B	JUCRK	チップセラコン	01
C786	US135100	C. CE. CHIP	0.1uF 16V		チップセラコン	01
C787	UR218100	C. EL	100uF 6.3V		ケミコン	
C788-789	UR266100	C. EL	1uF 50V		ケミコン	
C791	US063120	C. CE. CHIP	1200pF 50V B		チップセラコン	01
C792	US062470	C. CE. CHIP	470pF 50V B		チップセラコン	01
C799	US135100	C. CE. CHIP	0.1uF 16V		チップセラコン	01
C811	US064100	C. CE. CHIP	0.01uF 50V B		チップセラコン	01
C812	UR218470	C. EL	470uF 6.3V		ケミコン	
C813	US062120	C. CE. CHIP	120pF 50V B		チップセラコン	01
C814	US062220	C. CE. CHIP	220pF 50V B		チップセラコン	01
C815	UR237100	C. EL	10uF 16V		ケミコン	
C816	UR237470	C. EL	47uF 16V		ケミコン	
C821-823	US135100	C. CE. CHIP	0.1uF 16V		チップセラコン	01
C824-827	US062220	C. CE. CHIP	220pF 50V B		チップセラコン	01
D601-609	VU992500	DIODE. ZENR	MA8051-L 5.0V	J	ツェナーダイオード	01
D611-612	VT332900	DIODE	1SS355		ダイオード	01
D701-708	VT332900	DIODE	1SS355		ダイオード	01
D771-774	VT332900	DIODE	1SS355		ダイオード	01
D811-812	VT332900	DIODE	1SS355		ダイオード	01
* IC601	X6757A00	IC	NJW1321FP1		IC	
IC602	X2904A00	IC	NJM2581M VIDEO AMP		アンプIC	06
* IC603-604	XY876A00	IC	MM74HC4052SJX_NL M	J	ロジックIC	
IC605	X2484A00	IC	TA1318AF		IC	07
* IC606	X6758A00	IC	LA73054-TLM-E		アンプIC	
IC701-704	XY550A00	IC	MM74HC4051SJX		ロジックIC	01
IC705-706	X4321A00	IC	CD4051BNSR		ロジックIC	01
IC707-708	XY877A00	IC	MM74HC4053SJX		ロジックIC	01

* New Parts * 新規部品

P.C.B. A-VIDEO

Ref No.	Part No.	Description	Remarks	Markets	部 品 名	Rank
* IC709	X6742A00	IC	LA73050-TLM-E		アンプIC	
IC710	XZ177A00	IC	LA7104M VIDEO AMP		アンプIC	04
* IC711	X6741A00	IC	LA7106M-TLM-E		アンプIC	
IC712	XW939A00	IC	TK15420M VIDEO AMP		アンプIC	03
IC713	XD598A00	IC	TC74HCU04AFEL INV		ロジックIC	01
* IC714	X6849A00	IC	BD7851FP-E2		ロジックIC	
IC715	X5597A00	IC	LC74781JM-9798		IC アナログ	07
J701-705		R. CHP	0Ω 1/16W J	RKTABGL	チップ抵抗	
JK701	WD396400	JACK. PIN	LAP5100-1605FC	J	ピンジャック + S	05
* JK701	WD396300	JACK. PIN	LAP5100-1601FC	UCRTKABGL	ピンジャック + S	
JK702	WD396400	JACK. PIN	LAP5100-1605FC	J	ピンジャック + S	05
* JK702	WD396300	JACK. PIN	LAP5100-1601FC	UCRTKABGL	ピンジャック + S	
JK703	WD396200	JACK. PIN	LAP5100-1805FC	J	ピンジャック + S	05
* JK703	WD396100	JACK. PIN	LAP5100-1801FC	UCRTKABGL	ピンジャック + S	
PJ601	WD442800	JACK. PIN	LPR6520-M615FC	J	ピンジャック 6 P	06
* PJ601	WD442700	JACK. PIN	LPR6520-M610FC	UCRTKABGL	ピンジャック 6 P	
PJ602	WD442800	JACK. PIN	LPR6520-M615FC	J	ピンジャック 6 P	06
* PJ602	WD442700	JACK. PIN	LPR6520-M610FC	UCRTKABGL	ピンジャック 6 P	
PJ611-614	WD398400	CN. DIN	14P YKF45-3011	J	D I Nコネクタ	05
* PJ701	WF751000	JACK. PIN	RJ-1060-04-0531A	J	ピンジャック 2 P	
PJ701	V9070900	JACK. PIN	2P RJ-1060-04	UCRTKABGL	ピンジャック	01
PN701-702	V9637500	PIN	L=70 #18		スタイルピン	
* Q601-602	WG261200	FET	2SK2158-T2B-A		F E T	
Q701	VV556400	TR	2SC2412K Q, R, S		トランジスタ	01
* Q702	WF550000	TR	2SC3837K T146 N, P		トランジスタ	
Q703	VV556500	TR	2SA1037K Q, R, S		トランジスタ	01
* Q704	WF549900	TR	2SC3906K T146 R, S		トランジスタ	
Q705	VZ725900	TR	2SD1938F S, T		トランジスタ	01
Q706	VV556400	TR	2SC2412K Q, R, S		トランジスタ	01
* Q711-716	WG261200	FET	2SK2158-T2B-A		F E T	
Q717	VV556400	TR	2SC2412K Q, R, S		トランジスタ	01
R621-635		R. CHP	100Ω 1/16W J	J	チップ抵抗	
R662	HV753100	R. CAR. FP	1Ω 1/4W	J	不燃化カーボン抵抗	01
R665	HV753100	R. CAR. FP	1Ω 1/4W		不燃化カーボン抵抗	01
R667	HV753100	R. CAR. FP	1Ω 1/4W	J	不燃化カーボン抵抗	01
R676	HV753100	R. CAR. FP	1Ω 1/4W		不燃化カーボン抵抗	01
R688-690	HV753100	R. CAR. FP	1Ω 1/4W		不燃化カーボン抵抗	01
R738-739	HV753100	R. CAR. FP	1Ω 1/4W		不燃化カーボン抵抗	01
R760-763	HV753100	R. CAR. FP	1Ω 1/4W		不燃化カーボン抵抗	01
R780	HV755470	R. CAR. FP	470Ω 1/4W		不燃化カーボン抵抗	01
R783	HV753220	R. CAR. FP	2.2Ω 1/4W		不燃化カーボン抵抗	01
R787	HV755470	R. CAR. FP	470Ω 1/4W		不燃化カーボン抵抗	01
R790-791	HV755470	R. CAR. FP	470Ω 1/4W		不燃化カーボン抵抗	01
R794-795	HV753100	R. CAR. FP	1Ω 1/4W		不燃化カーボン抵抗	01
R800	HV755470	R. CAR. FP	470Ω 1/4W		不燃化カーボン抵抗	01
R812	HV753220	R. CAR. FP	2.2Ω 1/4W		不燃化カーボン抵抗	01
R821	HV753100	R. CAR. FP	1Ω 1/4W		不燃化カーボン抵抗	01
XL601	V5345200	RSNR. CE	CSBLA503KECF30-BO		セラミック振動子	01
XL715	WC061400	RSNR. CRY	14.31818MHz SMD-49	JUCRK	水晶振動子	
XL715	V6074900	RSNR. CRY	17.734475MHz	TABGL	水晶振動子	03

* New Parts * 新規部品

P.C.B. D-VIDEO

Ref No.	Part No.	Description	Remarks	Markets	部 品 名	Rank
*	WG082100	P. C. B.	D-VIDEO		P C B D-V I D E O	
	CB302	V9356900	CN	JE 19P SE	J E コネクタ プラグ	
	CB501	V7828700	SOCKET	20P SE TUC SERIES	コネクタ ソケット	01
	CB502	V8875300	CN	JE 13P SE	J E コネクタ プラグ	01
	CB504	V0044400	CN. BS. PIN	9P	F F C コネクタ	01
	CB506	LB919020	CN. BS. PIN	2P	ベース付ポスト	01
	CB507	V6509500	SOCKET	9P SE 3170	コネクタ ソケット	04
	CB508	LB919040	CN. BS. PIN	4P	ベース付ポスト	01
	CB510	V9356900	CN	JE 19P SE	J E コネクタ プラグ	
*	CN301-303	WC688700	CN	19P HDMI	コネクタ	
	C301-302	US135100	C. CE. CHIP	0.1uF 16V	チップセラコン	01
	C303	V5333500	C. CE. CHIP	10uF 6.3V	チップセラコン	01
	C304-305	US063100	C. CE. CHIP	1000pF 50V B	チップセラコン	01
	C306-309	US135100	C. CE. CHIP	0.1uF 16V	チップセラコン	01
	C310-311	US063100	C. CE. CHIP	1000pF 50V B	チップセラコン	01
	C312	US135100	C. CE. CHIP	0.1uF 16V	チップセラコン	01
	C313	US063100	C. CE. CHIP	1000pF 50V B	チップセラコン	01
	C314-316	US135100	C. CE. CHIP	0.1uF 16V	チップセラコン	01
	C317	US063100	C. CE. CHIP	1000pF 50V B	チップセラコン	01
	C318-319	US135100	C. CE. CHIP	0.1uF 16V	チップセラコン	01
	C320	US063100	C. CE. CHIP	1000pF 50V B	チップセラコン	01
	C321-322	US064100	C. CE. CHIP	0.01uF 50V B	チップセラコン	01
	C323-325	V5333500	C. CE. CHIP	10uF 6.3V	チップセラコン	01
	C326	US135100	C. CE. CHIP	0.1uF 16V	チップセラコン	01
	C327-329	V5333500	C. CE. CHIP	10uF 6.3V	チップセラコン	01
	C330-344	US135100	C. CE. CHIP	0.1uF 16V	チップセラコン	01
	C345	US061150	C. CE. CHIP	15pF 50V B	チップセラコン	01
	C346	US064100	C. CE. CHIP	0.01uF 50V B	チップセラコン	01
	C350	US135100	C. CE. CHIP	0.1uF 16V	チップセラコン	01
	C351	US064100	C. CE. CHIP	0.01uF 50V B	チップセラコン	01
	C352	US061150	C. CE. CHIP	15pF 50V B	チップセラコン	01
	C353-363	US135100	C. CE. CHIP	0.1uF 16V	チップセラコン	01
	C364	UF018100	C. EL. CHIP	100uF 6.3V	チップケミコン	01
	C365-366	US135100	C. CE. CHIP	0.1uF 16V	チップセラコン	01
	C367	UF018100	C. EL. CHIP	100uF 6.3V	チップケミコン	01
	C368	US135100	C. CE. CHIP	0.1uF 16V	チップセラコン	01
	C381-383	US135100	C. CE. CHIP	0.1uF 16V	チップセラコン	01
	C384-387	US063100	C. CE. CHIP	1000pF 50V B	チップセラコン	01
	C388-389	US135100	C. CE. CHIP	0.1uF 16V	チップセラコン	01
	C390-392	US063100	C. CE. CHIP	1000pF 50V B	チップセラコン	01
	C501-504	US063100	C. CE. CHIP	1000pF 50V B	チップセラコン	01
	C505-509	US135100	C. CE. CHIP	0.1uF 16V	チップセラコン	01
	C510	US064100	C. CE. CHIP	0.01uF 50V B	チップセラコン	01
	C511	UF037100	C. EL. CHIP	10uF 16V	チップケミコン	01
	C512-513	US135100	C. CE. CHIP	0.1uF 16V	チップセラコン	01
	C514-515	UF037100	C. EL. CHIP	10uF 16V	チップケミコン	01
	C516-520	US135100	C. CE. CHIP	0.1uF 16V	チップセラコン	01
	C521-522	US064100	C. CE. CHIP	0.01uF 50V B	チップセラコン	01
	C523	US135100	C. CE. CHIP	0.1uF 16V	チップセラコン	01
	C524	UF037100	C. EL. CHIP	10uF 16V	チップケミコン	01
	C525-531	US135100	C. CE. CHIP	0.1uF 16V	チップセラコン	01
	C532	US064100	C. CE. CHIP	0.01uF 50V B	チップセラコン	01
	C533	US063100	C. CE. CHIP	1000pF 50V B	チップセラコン	01
	C534	US064100	C. CE. CHIP	0.01uF 50V B	チップセラコン	01

* New Parts * 新規部品

P.C.B. D-VIDEO

Ref No.	Part No.	Description	Remarks	Markets	部 品 名	Rank
* C535	US135100	C. CE. CHP	0.1uF 16V		チップセラコン	01
C536	US034820	C. CE. CHP	0.082uF 16V K		チップセラコン	01
C537	US135100	C. CE. CHP	0.1uF 16V		チップセラコン	01
C538	US064100	C. CE. CHP	0.01uF 50V B		チップセラコン	01
C539	US135100	C. CE. CHP	0.1uF 16V		チップセラコン	01
C540	US060700	C. CE. CHP	7pF 50V B		チップセラコン	01
C541	US064100	C. CE. CHP	0.01uF 50V B		チップセラコン	01
C542-543	US135100	C. CE. CHP	0.1uF 16V		チップセラコン	01
C544	US060700	C. CE. CHP	7pF 50V B		チップセラコン	01
C545	UF018100	C. EL. CHP	100uF 6.3V		チップケミコン	01
C546-548	US135100	C. CE. CHP	0.1uF 16V		チップセラコン	01
C549-555	UF018100	C. EL. CHP	100uF 6.3V		チップケミコン	01
C556-557	US135100	C. CE. CHP	0.1uF 16V		チップセラコン	01
C558	US064100	C. CE. CHP	0.01uF 50V B		チップセラコン	01
C559	US135100	C. CE. CHP	0.1uF 16V		チップセラコン	01
C560-561	US064100	C. CE. CHP	0.01uF 50V B		チップセラコン	01
C562-563	US135100	C. CE. CHP	0.1uF 16V		チップセラコン	01
C564	UF037470	C. EL. CHP	47uF 16V		チップケミコン	01
C565-566	US135100	C. CE. CHP	0.1uF 16V		チップセラコン	01
C567	US062820	C. CE. CHP	820pF 50V B		チップセラコン	01
C568-569	US135100	C. CE. CHP	0.1uF 16V		チップセラコン	01
C570	US063390	C. CE. CHP	3900pF 50V B		チップセラコン	01
C571-572	US135100	C. CE. CHP	0.1uF 16V		チップセラコン	01
C573	UF038100	C. EL. CHP	100uF 16V		チップケミコン	01
C574-580	US135100	C. CE. CHP	0.1uF 16V		チップセラコン	01
C581-584	UF037100	C. EL. CHP	10uF 16V		チップケミコン	01
C585-595	US135100	C. CE. CHP	0.1uF 16V		チップセラコン	01
C596	UF037100	C. EL. CHP	10uF 16V		チップケミコン	01
C597	UF037470	C. EL. CHP	47uF 16V		チップケミコン	01
C598	UF037100	C. EL. CHP	10uF 16V		チップケミコン	01
C599	US135100	C. CE. CHP	0.1uF 16V		チップセラコン	01
C600	UF037100	C. EL. CHP	10uF 16V		チップケミコン	01
C601-602	US135100	C. CE. CHP	0.1uF 16V		チップセラコン	01
C603	UF037470	C. EL. CHP	47uF 16V		チップケミコン	01
C604-605	US135100	C. CE. CHP	0.1uF 16V		チップセラコン	01
C607-608	US135100	C. CE. CHP	0.1uF 16V		チップセラコン	01
C609	UF037470	C. EL. CHP	47uF 16V		チップケミコン	01
C610	US135100	C. CE. CHP	0.1uF 16V		チップセラコン	01
C612-620	US135100	C. CE. CHP	0.1uF 16V		チップセラコン	01
C621	UF037470	C. EL. CHP	47uF 16V		チップケミコン	01
C622-629	US135100	C. CE. CHP	0.1uF 16V		チップセラコン	01
C630	UF037470	C. EL. CHP	47uF 16V		チップケミコン	01
C631-639	US135100	C. CE. CHP	0.1uF 16V		チップセラコン	01
C640	UF037470	C. EL. CHP	47uF 16V		チップケミコン	01
C641-643	US135100	C. CE. CHP	0.1uF 16V		チップセラコン	01
C644	US063100	C. CE. CHP	1000pF 50V B		チップセラコン	01
C645-648	US135100	C. CE. CHP	0.1uF 16V		チップセラコン	01
C649	UF038100	C. EL. CHP	100uF 16V		チップケミコン	01
C650	US135100	C. CE. CHP	0.1uF 16V		チップセラコン	01
C651-652	UR238470	C. EL	470uF 16V		ケミコン	
C653-659	US135100	C. CE. CHP	0.1uF 16V		チップセラコン	01
C660	UF018100	C. EL. CHP	100uF 6.3V		チップケミコン	01
C661	UA654330	C. MYLAR	0.033uF 50V J		マイラーコン	01
* C662	UF065330	C. EL. CHP	0.33uF 50V		チップケミコン	01

* New Parts * 新規部品

P.C.B. D-VIDEO

Ref No.	Part No.	Description	Remarks	Markets	部 品 名	Rank
C663-665	US135100	C. CE. CHIP	0.1uF 16V		チップセラコン	01
C666-667	UR237470	C. EL	47uF 16V		ケミコン	
C668	US135100	C. CE. CHIP	0.1uF 16V		チップセラコン	01
C669-671	UR238470	C. EL	470uF 16V		ケミコン	
C672-683	US135100	C. CE. CHIP	0.1uF 16V		チップセラコン	01
C684	UF037470	C. EL. CHIP	47uF 16V		チップケミコン	01
C685-687	UR237470	C. EL	47uF 16V		ケミコン	
C688	UF038100	C. EL. CHIP	100uF 16V		チップケミコン	01
C689	US064100	C. CE. CHIP	0.01uF 50V B		チップセラコン	01
C690	UF037470	C. EL. CHIP	47uF 16V		チップケミコン	01
C691-693	US135100	C. CE. CHIP	0.1uF 16V		チップセラコン	01
C694	UF038100	C. EL. CHIP	100uF 16V		チップケミコン	01
C695-699	US135100	C. CE. CHIP	0.1uF 16V		チップセラコン	01
C700-705	US135100	C. CE. CHIP	0.1uF 16V		チップセラコン	01
C706-708	US064100	C. CE. CHIP	0.01uF 50V B		チップセラコン	01
C710	US064100	C. CE. CHIP	0.01uF 50V B		チップセラコン	01
C712-715	US135100	C. CE. CHIP	0.1uF 16V		チップセラコン	01
C716-718	UF066100	C. EL. CHIP	1uF 50V		チップケミコン	01
C719	UF037470	C. EL. CHIP	47uF 16V		チップケミコン	01
C720-726	US135100	C. CE. CHIP	0.1uF 16V		チップセラコン	01
C740	US135100	C. CE. CHIP	0.1uF 16V		チップセラコン	01
C741	US063100	C. CE. CHIP	1000pF 50V B		チップセラコン	01
C742	US135100	C. CE. CHIP	0.1uF 16V		チップセラコン	01
C743	US063100	C. CE. CHIP	1000pF 50V B		チップセラコン	01
C744	US135100	C. CE. CHIP	0.1uF 16V		チップセラコン	01
C745	US063100	C. CE. CHIP	1000pF 50V B		チップセラコン	01
C746	US135100	C. CE. CHIP	0.1uF 16V		チップセラコン	01
C747	US063100	C. CE. CHIP	1000pF 50V B		チップセラコン	01
C748-749	US135100	C. CE. CHIP	0.1uF 16V		チップセラコン	01
C750	US063100	C. CE. CHIP	1000pF 50V B		チップセラコン	01
C751-752	US135100	C. CE. CHIP	0.1uF 16V		チップセラコン	01
C753	US063100	C. CE. CHIP	1000pF 50V B		チップセラコン	01
C754	US135100	C. CE. CHIP	0.1uF 16V		チップセラコン	01
C755	US063100	C. CE. CHIP	1000pF 50V B		チップセラコン	01
C756-757	US135100	C. CE. CHIP	0.1uF 16V		チップセラコン	01
C758	US063100	C. CE. CHIP	1000pF 50V B		チップセラコン	01
C759-762	US135100	C. CE. CHIP	0.1uF 16V		チップセラコン	01
C763	US063100	C. CE. CHIP	1000pF 50V B		チップセラコン	01
C764-767	US135100	C. CE. CHIP	0.1uF 16V		チップセラコン	01
C771	US063100	C. CE. CHIP	1000pF 50V B		チップセラコン	01
C772	US126100	C. CE. CHIP	1uF 10V		チップセラコン	01
C773	US063100	C. CE. CHIP	1000pF 50V B		チップセラコン	01
C774	US126100	C. CE. CHIP	1uF 10V		チップセラコン	01
C775-780	US063100	C. CE. CHIP	1000pF 50V B		チップセラコン	01
C781	US126100	C. CE. CHIP	1uF 10V		チップセラコン	01
C782	US063100	C. CE. CHIP	1000pF 50V B		チップセラコン	01
C783	US126100	C. CE. CHIP	1uF 10V		チップセラコン	01
C784-786	US064100	C. CE. CHIP	0.01uF 50V B		チップセラコン	01
C787-788	US135100	C. CE. CHIP	0.1uF 16V		チップセラコン	01
D312	VT332900	DIODE	1SS355		ダイオード	01
D315	VT332900	DIODE	1SS355		ダイオード	01
D318	VT332900	DIODE	1SS355		ダイオード	01
D321-325	VT332900	DIODE	1SS355		ダイオード	01
D601-617	VT332900	DIODE	1SS355		ダイオード	01

* New Parts * 新規部品

P.C.B. D-VIDEO

Ref No.	Part No.	Description	Remarks	Markets	部 品 名	Rank
	IC301-302	X4503A00 IC	SN74CBT3306PWR		ロジック IC	03
	IC303-304	X3530A00 IC	24LC04BT-1/SN		メモリ IC	03
	IC305	X4061A00 IC	SN74AHC2GU04HDCTR		ロジック IC	01
	IC306	X5817A00 IC	LE50ABD 5.0V 0.1A		電源 IC	05
	IC307	X3801A00 IC	SN74LVC1G125DCKR		ロジック IC	
	IC308	X5816A00 IC	SI19030CTU HDMI TX		IC	11
	IC309	X5815A00 IC	SI19031CTU HDMI RX		IC	16
	IC310	X5818A00 IC	PCA9540BDP 12C MUX		IC	04
	IC311	XZ287A00 IC	SN74LVC245APWR		ロジック IC	02
	IC312	X5827A00 IC	UPC37M31TJ-E1-AZ		電源 IC	05
	IC314	X4465A00 IC	SN74AHCT1G125DCKR		ロジック IC	01
	IC501	X2965A00 IC	M30805SGP		IC	09
	IC502	X2479A00 IC	YGV619		IC	12
*	IC503	X6802A00 IC	ADV7401BSTZ-80		ビデオデコーダ	
*	IC504	X6801A00 IC	ADV7322KSTZ		ビデオエンコーダ	
*	IC505	X6853A00 IC	MATISSE 1A G		IC IPコンバータ	10
*	IC506	X6808A00 IC	PD0280B		IC	12
*	IC507	X7219A00 IC	MX29LV320ABTC-90		メモリ IC	
	IC508	X0176B00 IC	W9864G2EH-7 SDRAM		メモリ IC	08
	IC509	X2590B00 IC	W9816G6CH-7 SDRAM		メモリ IC 16M	06
	IC513-515	X5741A00 IC	SN74LVC541APWR		ロジック IC	02
	IC516	X4460A00 IC	SN74LV00APWR		ロジック IC	01
	IC517	X4642A00 IC	SN74AHC1G32DCKR		ロジック IC フラット	01
	IC518	X4139A00 IC	SN74AHC1G86DCKR		ロジック IC	01
	IC520	X2709A00 IC	SN74AHCT245PWR		ロジック IC	02
	IC521	X4463A00 IC	SN74LV08APWR		ロジック IC	01
	IC522	X4465A00 IC	SN74AHCT1G125DCKR		ロジック IC	01
	IC523	X4061A00 IC	SN74AHC2GU04HDCTR		ロジック IC	01
*	IC524	X6848A00 IC	LA73053-TLM-E		アンプ IC	
*	IC525	X7171A00 IC	SN74LVC2G125DCUR		ロジック IC	
	IC526	X4465A00 IC	SN74AHCT1G125DCKR		ロジック IC	01
	IC527	XZ000A00 IC	PST9242NR		リセット IC	01
	IC528	X4454A00 IC	SN74LVC2G17DCKR		ロジック IC	01
*	IC529	X6876A00 IC	ADM222ARZ		IC	
	IC531-533	X5741A00 IC	SN74LVC541APWR		ロジック IC	02
*	IC541	X7180A00 IC	SM5301CS-G-ET		IC	05
	IC601	X5826A00 IC	UPC2905AT-E1-AZ		電源 IC	03
*	IC602	X6869A00 IC	NJM2885DL1-33		電源 IC	
*	IC603	X6870A00 IC	NJM2845DL1-33		電源 IC	
*	IC604	X6866A00 IC	NJM2391DL1-33		電源 IC	
*	IC605	X6867A00 IC	NJM2391DL1-25		電源 IC	
*	IC606	X6868A00 IC	NJM2885DL1-18		電源 IC	
	IC607-609	X5741A00 IC	SN74LVC541APWR		ロジック IC	02
	IC610	X5731A00 IC	SN74LVC74APWR		ロジック IC	02
	PS301	V2997600 POLY SW	SMDC050-02		ポリスイッチ	01
	Q301-302	V0986700 TR	2SC4081 T106		トランジスタ	01
	Q309	WE834500 FET	UPA672T-T1-A		FET	01
	Q310-311	WD760200 FET	2N7002-NL TP		FET	01
	Q501-504	V0986700 TR	2SC4081 T106		トランジスタ	01
*	Q505-508	WG261200 FET	2SK2158-T2B-A		FET	
	R630-632	VP939700 R. MTL. OXD	4.7Ω 1W		酸化金属被膜抵抗	01
	R637	VP939700 R. MTL. OXD	4.7Ω 1W		酸化金属被膜抵抗	01
	R642	VP939600 R. MTL. OXD	2.2Ω 1W		酸化金属被膜抵抗	
	R643-644	WB784100 R. MTL. FLM	1.2Ω 1W		金属被膜抵抗	01

* New Parts * 新規部品

P.C.B. D-VIDEO

Ref No.	Part No.	Description	Remarks	Markets	部 品 名	Rank
R647	WB784100	R. MTL. FLM	1.2Ω 1W		金属被膜抵抗	01
RV309-332	WE674800	DIODE	AVRL161A1R1NTB		チップバリスタ	01
ST301	V4040500	SCR. TERM	M3		スクリュー/ターミナル	01
XL301	VZ268400	RSNR. CRYST	27MHz SMD-49		水晶振動子	05
XL501	V9864200	RSNR. CE	10.0MHz		セラミック発振子	01
* XL502	VZ772700	RSNR. CRYST	28.63636MHz		水晶振動子	03

* New Parts * 新規部品

Chip Resistors

- The chip resistor is not supplied as a replacement part.
- * When a chip resistor is necessary, use the following part.
AAX60720: CHIP RESISTOR SAMPLE BOOK

- チップ抵抗はサービス部品として供給しません。
- ※ チップ抵抗が必要な場合は、下記の部品をご利用ください。
AAX60720: CHIP RESISTOR SAMPLE BOOK

Ref No.	Part No.	Description	Remarks	Markets	部 品 名	Rank
	R. CHP	2.2KΩ	1/10W		チップ抵抗	
	R. CHP	12KΩ	1/10W		チップ抵抗	
	R. CHP	24KΩ	1/10W		チップ抵抗	
	R. CHP	0Ω	1/16W J		チップ抵抗	
	R. CHP	2.2Ω	1/16W J		チップ抵抗	
	R. CHP	10Ω	1/16W J		チップ抵抗	
	R. CHP	22Ω	1/16W J		チップ抵抗	
	R. CHP	33Ω	1/16W J		チップ抵抗	
	R. CHP	47Ω	1/16W J		チップ抵抗	
	R. CHP	56Ω	1/16W J		チップ抵抗	
	R. CHP	75Ω	1/16W J		チップ抵抗	
	R. CHP	82Ω	1/16W J		チップ抵抗	
	R. CHP	100Ω	1/16W J		チップ抵抗	
	R. CHP	120Ω	1/16W J		チップ抵抗	
	R. CHP	130Ω	1/16W J		チップ抵抗	
	R. CHP	150Ω	1/16W J		チップ抵抗	
	R. CHP	180Ω	1/16W J		チップ抵抗	
	R. CHP	200Ω	1/16W J		チップ抵抗	
	R. CHP	220Ω	1/16W J		チップ抵抗	
	R. CHP	330Ω	1/16W J		チップ抵抗	
	R. CHP	360Ω	1/16W J		チップ抵抗	
	R. CHP	470Ω	1/16W J		チップ抵抗	
	R. CHP	680Ω	1/16W J		チップ抵抗	
	R. CHP	820Ω	1/16W J		チップ抵抗	
	R. CHP	1KΩ	1/16W J		チップ抵抗	
	R. CHP	1.2KΩ	1/16W J		チップ抵抗	
	R. CHP	1.3KΩ	1/16W J		チップ抵抗	
	R. CHP	1.5KΩ	1/16W J		チップ抵抗	
	R. CHP	1.8KΩ	1/16W J		チップ抵抗	
	R. CHP	2.2KΩ	1/16W J		チップ抵抗	
	R. CHP	2.4KΩ	1/16W J		チップ抵抗	
	R. CHP	2.7KΩ	1/16W J		チップ抵抗	
	R. CHP	3.3KΩ	1/16W J		チップ抵抗	
	R. CHP	4.7KΩ	1/16W J		チップ抵抗	
	R. CHP	5.6KΩ	1/16W J		チップ抵抗	
	R. CHP	6.8KΩ	1/16W J		チップ抵抗	
	R. CHP	7.5KΩ	1/16W J		チップ抵抗	
	R. CHP	8.2KΩ	1/16W J		チップ抵抗	
	R. CHP	10KΩ	1/16W J		チップ抵抗	
	R. CHP	15KΩ	1/16W J		チップ抵抗	
	R. CHP	18KΩ	1/16W J		チップ抵抗	
	R. CHP	22KΩ	1/16W J		チップ抵抗	
	R. CHP	27KΩ	1/16W J		チップ抵抗	
	R. CHP	33KΩ	1/16W J		チップ抵抗	
	R. CHP	39KΩ	1/16W J		チップ抵抗	
	R. CHP	47KΩ	1/16W J		チップ抵抗	
	R. CHP	51KΩ	1/16W J		チップ抵抗	
	R. CHP	56KΩ	1/16W J		チップ抵抗	
	R. CHP	62KΩ	1/16W J		チップ抵抗	
	R. CHP	100KΩ	1/16W J		チップ抵抗	

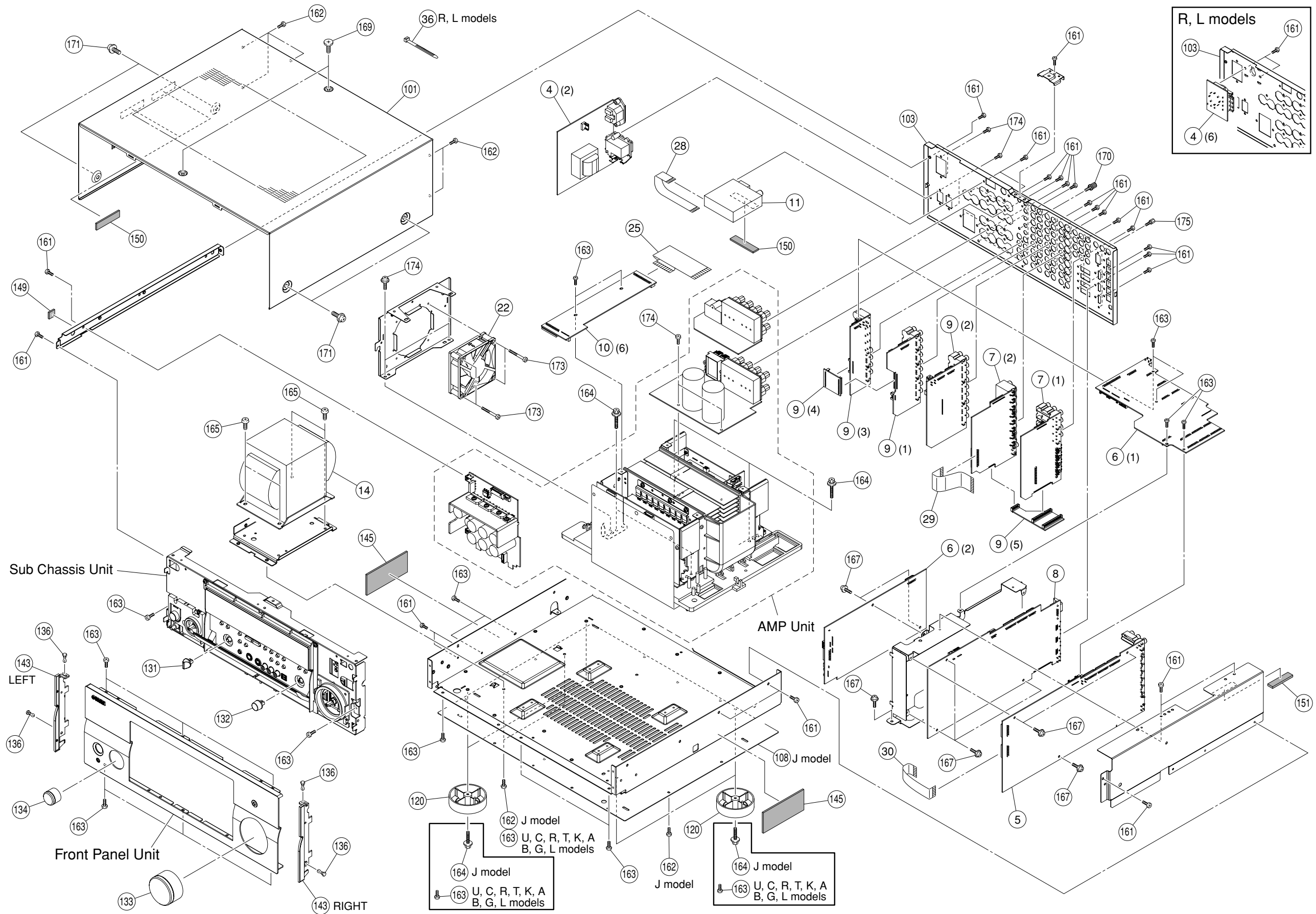
* New Parts * 新規部品

Chip Resistors

Ref No.	Part No.	Description	Remarks	Markets	部 品 名	Rank
	R. CHP	200KΩ	1/16W J		チップ抵抗	
	R. CHP	220KΩ	1/16W J		チップ抵抗	
	R. CHP	470KΩ	1/16W J		チップ抵抗	
	R. CHP	680KΩ	1/16W J		チップ抵抗	
	R. CHP	1MΩ	1/16W J		チップ抵抗	
	R. CHP	2.2MΩ	1/16W J		チップ抵抗	
	R. MTL. CHP	10Ω	1/16W D		チップ金属被膜抵抗	
	R. MTL. CHP	33Ω	1/16W D		チップ金属被膜抵抗	
	R. MTL. CHP	47Ω	1/16W D		チップ金属被膜抵抗	
	R. MTL. CHP	100Ω	1/16W D		チップ金属被膜抵抗	
	R. MTL. CHP	120Ω	1/16W D		チップ金属被膜抵抗	
	R. MTL. CHP	150Ω	1/16W D		チップ金属被膜抵抗	
	R. MTL. CHP	180Ω	1/16W D		チップ金属被膜抵抗	
	R. MTL. CHP	220Ω	1/16W D		チップ金属被膜抵抗	
	R. MTL. CHP	330Ω	1/16W D		チップ金属被膜抵抗	
	R. MTL. CHP	390Ω	1/16W D		チップ金属被膜抵抗	
	R. MTL. CHP	470Ω	1/16W D		チップ金属被膜抵抗	
	R. MTL. CHP	820Ω	1/16W D		チップ金属被膜抵抗	
	R. MTL. CHP	1.0KΩ	1/16W D		チップ金属被膜抵抗	
	R. MTL. CHP	1.5KΩ	1/16W D		チップ金属被膜抵抗	
	R. MTL. CHP	2KΩ	1/16W D		チップ金属被膜抵抗	
	R. MTL. CHP	2.2KΩ	1/16W D		チップ金属被膜抵抗	
	R. MTL. CHP	2.4KΩ	1/16W D		チップ金属被膜抵抗	
	R. MTL. CHP	2.7KΩ	1/16W D		チップ金属被膜抵抗	
	R. MTL. CHP	3KΩ	1/16W D		チップ金属被膜抵抗	
	R. MTL. CHP	3.3KΩ	1/16W D		チップ金属被膜抵抗	
	R. MTL. CHP	3.9KΩ	1/16W D		チップ金属被膜抵抗	
	R. MTL. CHP	4.3KΩ	1/16W D		チップ金属被膜抵抗	
	R. MTL. CHP	4.7KΩ	1/16W D		チップ金属被膜抵抗	
	R. MTL. CHP	5.6KΩ	1/16W D		チップ金属被膜抵抗	
	R. MTL. CHP	6.8KΩ	1/16W D		チップ金属被膜抵抗	
	R. MTL. CHP	7.5KΩ	1/16W D		チップ金属被膜抵抗	
	R. MTL. CHP	8.2KΩ	1/16W D		チップ金属被膜抵抗	
	R. MTL. CHP	10KΩ	1/16W D		チップ金属被膜抵抗	
	R. MTL. CHP	11KΩ	1/16W D		チップ金属被膜抵抗	
	R. MTL. CHP	12KΩ	1/16W D		チップ金属被膜抵抗	
	R. MTL. CHP	15KΩ	1/16W D		チップ金属被膜抵抗	
	R. MTL. CHP	47KΩ	1/16W D		チップ金属被膜抵抗	
	R. MTL. CHP	82KΩ	1/16W D		チップ金属被膜抵抗	
	R. CAR. CHP	180KΩ	1/16W J		チップ抵抗	
	R. CHP	39Ω	1/16W J		チップ抵抗	
	R. CHP	300Ω	1/16W F		チップ抵抗	
	R. CHP	390Ω	1/16W F		チップ抵抗	
	R. CAR. CHP	1.3KΩ	1/16W D		チップ抵抗	
	R. CHP	1.8KΩ	1/16W F		チップ抵抗	
	R. CHP	2.7KΩ	1/16W F		チップ抵抗	
	R. CHP	3KΩ	1/16W F		チップ抵抗	
	R. CHP	1MΩ	1/16W F		チップ抵抗	

* New Parts * 新規部品

EXPLODED VIEW



MECHANICAL PARTS

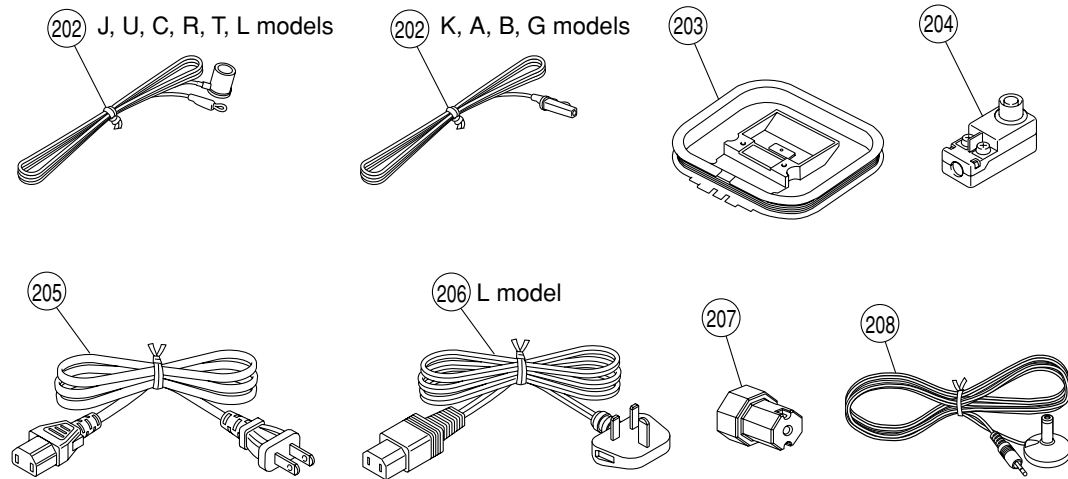
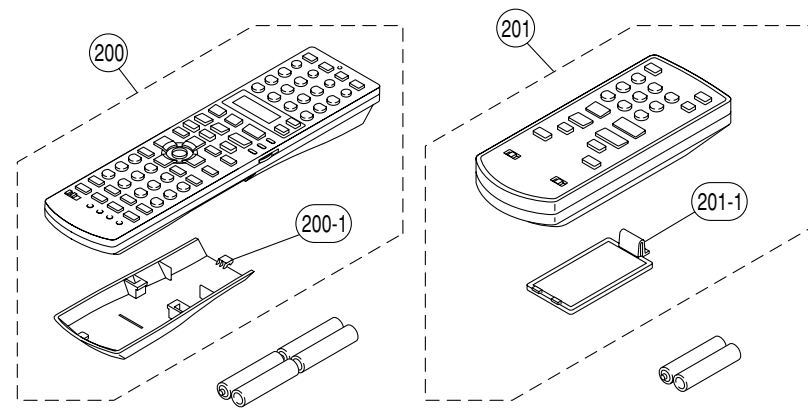
Ref No.	Part No.	Description	Remarks	Markets	部 品 名	Rank	
*	4	WG077400	P.C.B. ASS'Y		J	P C B パワー	
*	4	WG077500	P.C.B. ASS'Y		UC	P C B パワー	
*	4	WG077600	P.C.B. ASS'Y		R	P C B パワー	
*	4	WG077700	P.C.B. ASS'Y		T	P C B パワー	
*	4	WG077800	P.C.B. ASS'Y		K	P C B パワー	
*	4	WG077900	P.C.B. ASS'Y		A	P C B パワー	
*	4	WG078000	P.C.B. ASS'Y		B	P C B パワー	
*	4	WG078100	P.C.B. ASS'Y		G	P C B パワー	
*	4	WG078200	P.C.B. ASS'Y		L	P C B パワー	
*	5	WG078600	P.C.B. ASS'Y		J	P C B D S P	
*	5	WG078700	P.C.B. ASS'Y		UC	P C B D S P	
*	5	WG078800	P.C.B. ASS'Y		RTKABGL	P C B D S P	
*	6	WG080000	P.C.B. ASS'Y		J	P C B ファンクション	
*	6	WG080100	P.C.B. ASS'Y		UC	P C B ファンクション	
*	6	WG080200	P.C.B. ASS'Y		R	P C B ファンクション	
*	6	WG080300	P.C.B. ASS'Y		T	P C B ファンクション	
*	6	WG080400	P.C.B. ASS'Y		K	P C B ファンクション	
*	6	WG080500	P.C.B. ASS'Y		A	P C B ファンクション	
*	6	WG080600	P.C.B. ASS'Y		BG	P C B ファンクション	
*	6	WG080700	P.C.B. ASS'Y		L	P C B ファンクション	
*	7	WG081400	P.C.B. ASS'Y		J	P C B A-V I D E O	
*	7	WG081500	P.C.B. ASS'Y		UC	P C B A-V I D E O	
*	7	WG081600	P.C.B. ASS'Y		RK	P C B A-V I D E O	
*	7	WG081700	P.C.B. ASS'Y		TABGL	P C B A-V I D E O	
*	8	WG082100	P.C.B. ASS'Y			P C B D-V I D E O	
*	9	WG082400	P.C.B. ASS'Y		J	P C B インプット	
*	9	WG082500	P.C.B. ASS'Y		UC	P C B インプット	
*	9	WG082600	P.C.B. ASS'Y		RTKABGL	P C B インプット	
*	10	WG083300	P.C.B. ASS'Y		JUC	P C B オペレーション	
*	10	WG083400	P.C.B. ASS'Y		RTKABGL	P C B オペレーション	
*	11	WD048200	AM/FM TUNER		J	AM/FM チューナ	12
*	11	WD048300	AM/FM TUNER		UCRTL	AM/FM チューナ	
*	11	WD048400	AM/FM TUNER		KABG	AM/FM チューナ	
*	14	X7036B00	POWER TRANSFORMER		J	電源トランス	
*	14	X7037A00	POWER TRANSFORMER		UC	電源トランス	
*	14	X7038A00	POWER TRANSFORMER		RL	電源トランス	
*	14	X7039A00	POWER TRANSFORMER		TK	電源トランス	
*	14	X7040A00	POWER TRANSFORMER		A	電源トランス	
*	14	X7041A00	POWER TRANSFORMER		BG	電源トランス	
*	22	WG496400	DC FAN MOTOR			D C ファンモーター	
*	25	MF131120	FLEXIBLE FLAT CABLE			カード電線 C & C	03
*	28	MF115140	FLEXIBLE FLAT CABLE			カード電線 C & C	02
*	29	MF127100	FLEXIBLE FLAT CABLE			カード電線 C & C	05
*	30	MF119070	FLEXIBLE FLAT CABLE			カード電線 C & C	01
*	36	VZ625600	BINDING TIE		RL	インシュロックタイ	10
*	101	WE753800	TOP COVER	GD		トップカバー	10
*	101	WE753700	TOP COVER	BL		トップカバー	10
*	101	WE753900	TOP COVER	TI		トップカバー	
*	103	WF554300	REAR PANEL		J	リアパネル	
*	103	WF553600	REAR PANEL		UC	リアパネル	
*	103	WF553700	REAR PANEL		R	リアパネル	
*	103	WF553800	REAR PANEL		T	リアパネル	
*	103	WF553900	REAR PANEL		K	リアパネル	
*	103	WF554000	REAR PANEL		A	リアパネル	
*	103	WF554100	REAR PANEL		B	リアパネル	
*	103	WF554200	REAR PANEL		G	リアパネル	
*	103	WF554400	REAR PANEL		L	リアパネル	
*	108	WB940600	BOTTOM COVER		J	ボトムカバー	
*	120	WC051600	LEG	GD	J	レッグ	08

* New Parts * 新規部品

Ref No.	Part No.	Description	Remarks	Markets	部 品 名	Rank
120	V0042500	LEG		RTKL	レッグ	03
120	VS025000	LEG	BL, TI		レッグ	02
131	V6001700	KNOB D15	GD		ノブ D 1 5	01
131	V6001600	KNOB D15	BL		ノブ D 1 5	01
131	V7624400	KNOB D15	TI		ノブ D 1 5	01
132	WF060100	KNOB D15	GD		ノブ D 1 5	01
132	WF060000	KNOB D15	BL		ノブ D 1 5	01
132	WF060200	KNOB D15	TI		ノブ D 1 5	01
133	WD404500	KNOB D50	GD		ノブ D 5 0	08
133	WD404400	KNOB D50	BL		ノブ D 5 0	08
133	WD404600	KNOB D50	TI		ノブ D 5 0	06
134	WD405200	KNOB D23	GD		ノブ D 2 3	06
134	WD405100	KNOB D23	BL		ノブ D 2 3	06
134	WD405300	KNOB D23	TI		ノブ D 2 3	01
136	VQ368600	PUSH RIVET			プッシュリベット	01
140	WG662000	BARRIER TRANS			バリア/トランス	02
143	WD405500	PLATE SIDE	GD		プレート/サイド	01
143	WD405400	PLATE SIDE	BL		プレート/サイド	01
143	WD405600	PLATE SIDE	TI		プレート/サイド	01
145	V3198100	DAMPER			ダンパー	01
149	WF473000	DAMPER TRAY			ダンパー/T R A Y	01
150	VZ117100	DAMPER T2			ダンパー/T 2	02
151	VS658200	DAMPER TR			ダンパー/T R	01
161	WE774100	BIND HEAD BONDING B-T. SCREW	3x8 MFZN2B3		ボンディングBタイトネジ	01
162	WE774400	BIND HEAD B-TIGHT SCREW	3x8 MFZN2B3		バインドBタイトネジ	01
163	WE936300	BIND HEAD B-TIGHT SCREW	3x6 MFZN2W3		バインドBタイトネジ	01
164	WE774600	SCREW IC	3x18 MFZN2W3		スクリュー I C	01
165	WE774700	BIND HEAD S-TIGHT SCREW	4x10 MFZN2W3		バインドSタイトネジ	01
167	VT669300	PW HEAD B-TIGHT SCREW	3x8-8 MFC2		PWヘッドBタイトネジ	02
169	VZ893000	SPECIAL S-TIGHT SCREW	4x8-10 MFN133	GD, TI	化粧ネジSタイト	01
169	VK522100	SPECIAL S-TIGHT SCREW	4x8-10 MFC2BL	BL	化粧ネジSタイト	01
170	AA627310	GROUND TERMINAL			G N Dターミナル	01
171	VD069600	PW HEAD S-TIGHT SCREW	4x8-10 MFN133	GD, TI	PWヘッドSタイトネジ	01
171	VH313200	PW HEAD S-TIGHT SCREW	4x8-10 MFN13BL	BL	PWヘッドSタイトネジ	01
173	WE774500	BIND HEAD B-TIGHT SCREW	3x30 MFZN2B3		バインドBタイトネジ	01
174	WE774800	BIND HEAD P-TIGHT SCREW	3x8 MFZN2W3		バインドPタイトネジ	01
175	V6509600	JACK SCREW	SS6-A47511848		ジャックスクリュー	01

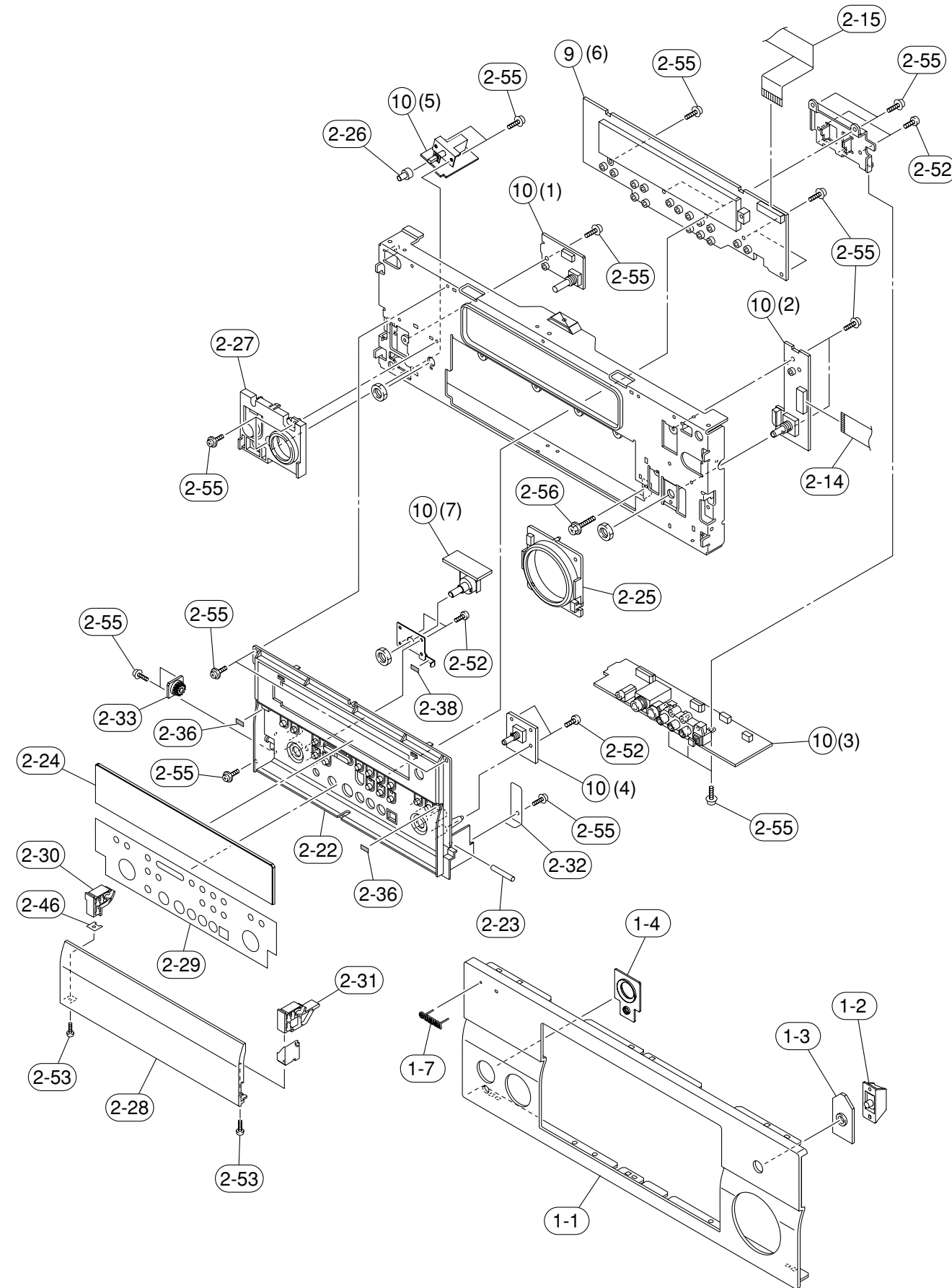
* New Parts * 新規部品

ACCESSORIES



Ref No.	Part No.	Description	Remarks	Markets	部品名	Rank
		ACCESSORIES			付属品	
*	200	WF365700 REMOTE CONTROL	RAV359	RC1596010/00	JRTKABGL	リモコン
*	200	WF365600 REMOTE CONTROL	RAV358	RC1596009/00	UC	リモコン
	200-1	AAX59640 BATTERY COVER		3139 238 08051		電池蓋
*	201	WF121700 ZONE REMOTE CONTROL	RAV20	YMA205N4504686	JRTKABGL	ゾーンリモコン
*	201	WF121800 ZONE REMOTE CONTROL	RAV21	YMA205N4505458	UC	ゾーンリモコン
	201-1	AAX70730 BATTERY COVER		CG-8912		電池蓋
	202	V6267000 INDOOR FM ANTENNA	1.4m 1pc		JUCRTL	F M簡易アンテナ
	202	VQ147100 INDOOR FM ANTENNA	1.4m 1pc		KABG	F M簡易アンテナ
	203	VR248500 AM LOOP ANTENNA	1.0m 1pc			A Mループアンテナ
	204	VE364900 ANTENNA ADAPTER	PAL 75-300Ω 1pc		B	整合器
⚠	205	WB803800 POWER CABLE	2m 1pc		J	電源コード
⚠	205	V7704800 POWER CABLE	2m 1pc		UC	電源コード
*	205	WD107700 POWER CABLE	2m 1pc		R	電源コード
⚠	205	V9358400 POWER CABLE	2m 1pc		T	電源コード
⚠	205	V7704900 POWER CABLE	2m 1pc		KG	電源コード
⚠	205	WB750900 POWER CABLE	2m 1pc		A	電源コード
⚠	205	WB751000 POWER CABLE	2m 1pc		BL	電源コード
⚠	206	V7704900 POWER CABLE	2m 1pc		L	電源コード
	207	WC080100 SPEAKER TERMINAL WRENCH	LTS0090-0002GM 1pc			S Pターミナルレンチ
	208	WB929200 OPTIMIZER MICROPHONE BATTERY, ALKALINE DRY	EMX-251 6m 1pc LR03 6pcs			マイクロホン アルカリ電池 6 p c s
		SERVICE TOOL				サービス部品
	MF117350	FLEXIBLE FLAT CABLE	17P 350mm P=1.25			カード電線 C & C
	MF124500	FLEXIBLE FLAT CABLE	24P 500mm P=1.25			カード電線 C & C
	MF131500	FLEXIBLE FLAT CABLE	31P 500mm P=1.25			カード電線 C & C
*	MF404250	CRIMPING ASS'Y B&C	4P 250mm B&C			圧接ASSY B & C
*	MF405400	CRIMPING ASS'Y B&C	5P 400mm B&C			圧接ASSY B & C
*	MF408250	CRIMPING ASS'Y B&C	8P 250mm B&C			圧接ASSY B & C

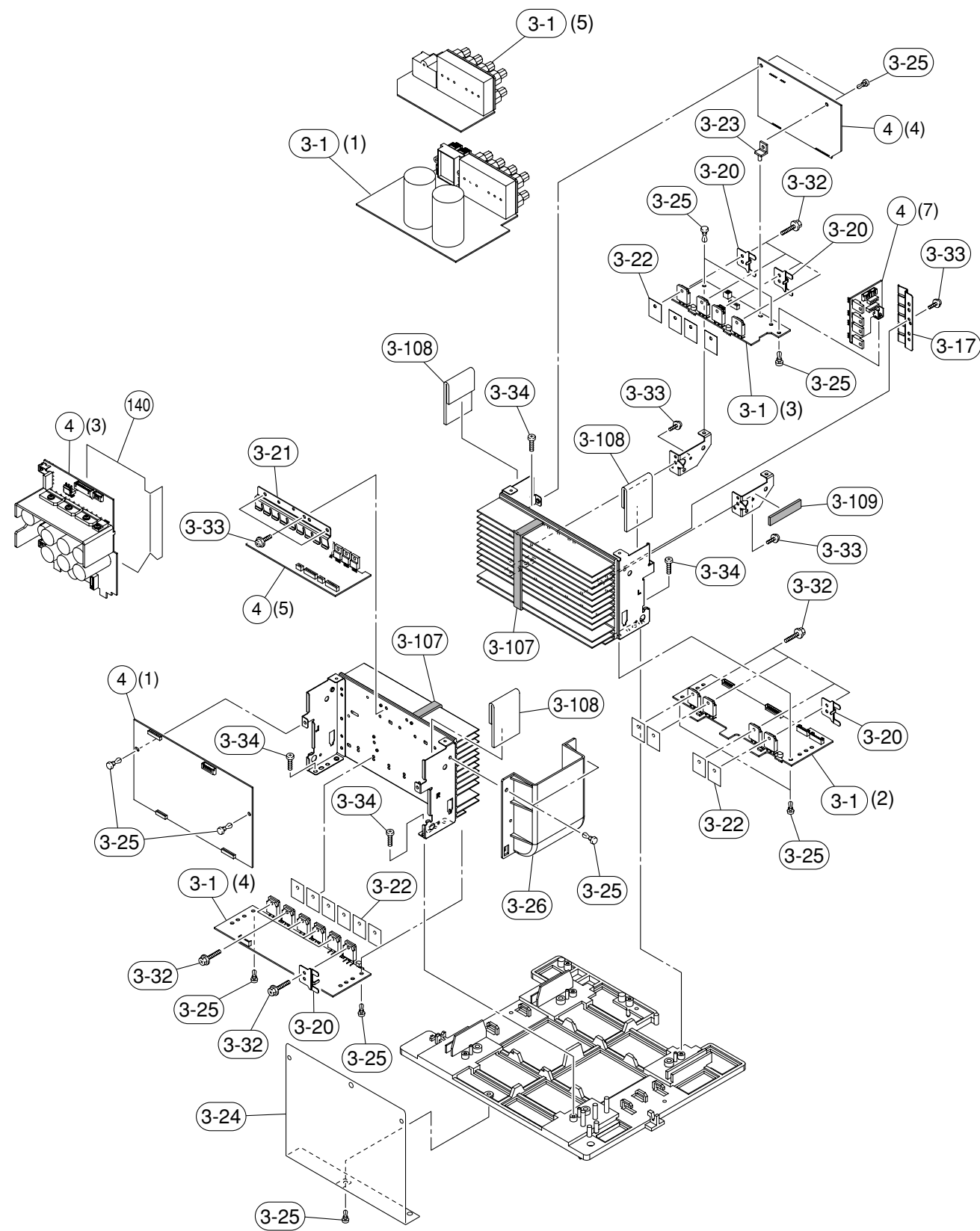
1 ■ FRONT PANEL & SUB CHASSIS UNIT



Ref No.	Part No.	Description	Remarks	Markets	部品名	Rank
* 1-1	WF585800	FRONT PANEL		GD	J	フロントパネル
* 1-1	WF585400	FRONT PANEL		GD	RTKL	フロントパネル
* 1-1	WF585300	FRONT PANEL		BL		フロントパネル
* 1-1	WF585500	FRONT PANEL		TI		フロントパネル
1-2	WF121100	BUTTON LENS				ボタン/レンズ
1-3	WD432200	ESCUTCHEON D5		GD		エスカッションD5
1-3	WD432100	ESCUTCHEON D5		BL		エスカッションD5
* 1-3	WD432300	ESCUTCHEON D5		TI		エスカッションD5
* 1-4	WF551800	ESCUTCHEON PJ		GD		エスカッション/P
* 1-4	WF551700	ESCUTCHEON PJ		BL		エスカッション/P
* 1-4	WF551900	ESCUTCHEON PJ		TI		エスカッション/P
1-7	V6034200	EMBLEM		GD		エンブレム
1-7	V6034100	EMBLEM		BL, TI		エンブレム
2-14	MF117120	FLEXIBLE FLAT CABLE	17P 120mm P=1.25			カード電線 C&C
* 2-15	MF124300	FLEXIBLE FLAT CABLE	24P 300mm P=1.25			カード電線 C&C
* 2-22	WF586700	SUB PANEL		GD		サブパネル
* 2-22	WF586600	SUB PANEL		BL		サブパネル
* 2-22	WF586800	SUB PANEL		TI		サブパネル
2-23	V9126500	SHAFT				シャフト
* 2-24	WF552200	WINDOW PANEL LID			JRTKABGL	ウインドウ
* 2-24	WF803500	WINDOW PANEL LID			UC	ウインドウ
* 2-25	WF551400	ESCUTCHEON VR		GD		エスカッション/VR
* 2-25	WF550600	ESCUTCHEON VR		BL		エスカッション/VR
* 2-25	WF551500	ESCUTCHEON VR		TI		エスカッション/VR
2-26	V6002000	BUTTON D5		GD		ボタン D5
2-26	V6001900	BUTTON D5		BL		ボタン D5
* 2-26	WG290000	BUTTON D5		TI		ボタン D5
* 2-27	WF550300	BUTTON POWER		GD		ボタン/パワー
* 2-27	WF550200	BUTTON POWER		BL		ボタン/パワー
* 2-27	WF550400	BUTTON POWER		TI		ボタン/パワー
* 2-28	WF802600	PANEL LID		GD	J	パネル/リッド
* 2-28	WF802000	PANEL LID		GD	RTKL	パネル/リッド
* 2-28	WF801900	PANEL LID		BL		パネル/リッド
* 2-28	WF802100	PANEL LID		TI		パネル/リッド
* 2-29	WF587500	PLATE SP		GD		プレート/S P
* 2-29	WF786200	PLATE SP		BL	UC	プレート/S P
* 2-29	WF587400	PLATE SP		BL	RAG	プレート/S P
* 2-29	WF805700	PLATE SP		TI	C	プレート/S P
* 2-29	WF587600	PLATE SP		TI	TBGL	プレート/S P
2-30	V6005100	HINGE L		GD		ヒンジ L
2-30	V6005000	HINGE L		BL		ヒンジ L
* 2-30	V6005200	HINGE L		TI		ヒンジ L
2-31	V6005400	HINGE R		GD		ヒンジ R
2-31	V6005300	HINGE R		BL		ヒンジ R
* 2-31	V6005500	HINGE R		TI		ヒンジ R
2-32	V4593300	SPRING LID				スプリング/リッド
2-33	V9124600	DAMPER GEAR				ダンパー/ギヤ
2-36	VY940400	CUSHION LID	t=0.8			クッション/LID
2-38	WC144500	CUSHION 5X10	5x10			クッション/5 X 10
2-46	WC308000	SPACER HINGE				スペーサ/ヒンジ
2-52	WE774800	BIND HEAD P-TIGHT SCREW	3x8 MFZN2W3			バインドPタイトネジ
2-53	WE973700	BIND HEAD P-TIGHT SCREW	2.6x6 MFZN2W3			バインドPイトネジ
2-55	VH365800	PW HEAD B-TIGHT SCREW	3x6-8 MFC2			PWヘッドBタイトネジ
2-56	WE774600	SCREW IC	3x18 MFZN2W3			スクリュー IC
* 9	WG082400	P.C.B. ASS'Y	INPUT		J	P C B インプット
* 9	WG082500	P.C.B. ASS'Y	INPUT		UC	P C B インプット
* 9	WG082600	P.C.B. ASS'Y	INPUT		RTKABGL	P C B インプット
* 10	WG083300	P.C.B. ASS'Y	OPERATION		JUC	P C B オペレーション
* 10	WG083400	P.C.B. ASS'Y	OPERATION		RTKABGL	P C B オペレーション

* New Parts * 新規部品

AMP UNIT

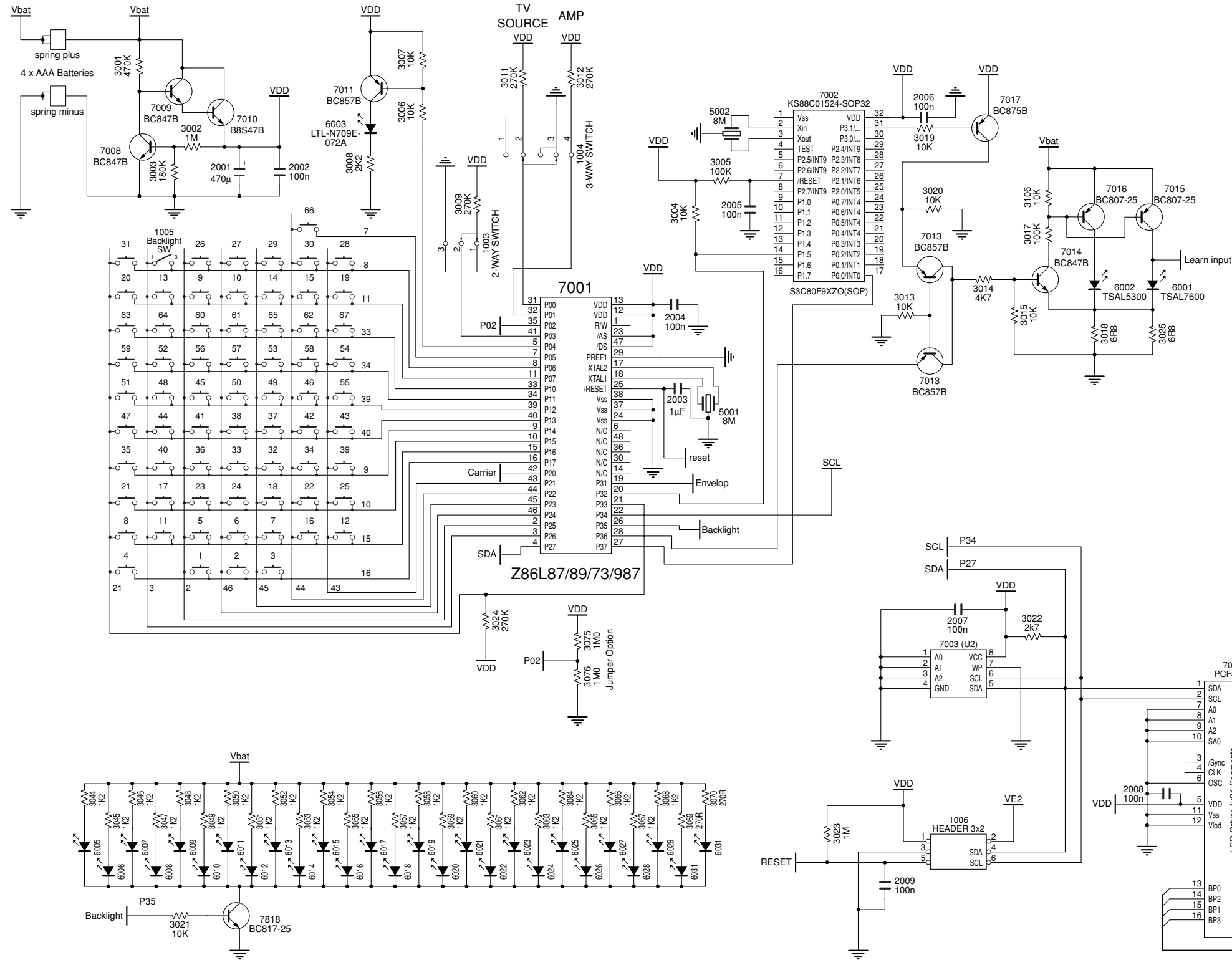


Ref No.	Part No.	Description	Remarks	Markets	部品名	Rank
*	3-1	WG075800 P.C.B. ASS'Y	MAIN	J	P C B メイン	
*	3-1	WG075900 P.C.B. ASS'Y	MAIN	UC	P C B メイン	
*	3-1	WG076000 P.C.B. ASS'Y	MAIN	RTA	P C B メイン	
*	3-1	WG076100 P.C.B. ASS'Y	MAIN	KBGL	P C B メイン	
	3-17	WG432400 SUPPORT TR-6			サポート/TR-6	
	3-20	WB297600 SUPPORT TR			サポート/TR	02
	3-21	WD418800 SUPPORT TR-9			サポート/TR-9	03
	3-22	VV849300 RADIATION SHEET	19x24		シート/放熱	01
	3-23	CB091290 SUPPORT P.C.B.	No. 1645		基板サポート	01
	3-24	WA207000 SHEET SHIELD B			シート/シールド	03
	3-25	VQ368600 PUSH RIVET	P3555-B		プッシュリベット	01
	3-26	V9120600 DUCT			ダクト	02
	3-32	VK173200 SCREW TRANSISTOR	3x15 SP MFC2		スクリューTR	01
	3-33	VT669300 PW HEAD B-TIGHT SCREW	3x8-8 MFC2		PWヘッドBタイトネジ	01
	3-34	WE774800 BIND HEAD P-TIGHT SCREW	3x8 MFZN2W3		バインドPタイトネジ	01
	3-107	VP922500 DAMPER	2x10x170		ダンパー	01
	3-108	V3198100 DAMPER	GUARD		ダンパー	01
	3-109	VZ117100 DAMPER T2	TOP-F		ダンパー/T2	
*	4	WG077400 P.C.B. ASS'Y	POWER	J	P C B パワー	
*	4	WG077500 P.C.B. ASS'Y	POWER	UC	P C B パワー	
*	4	WG077600 P.C.B. ASS'Y	POWER	R	P C B パワー	
*	4	WG077700 P.C.B. ASS'Y	POWER	T	P C B パワー	
*	4	WG077800 P.C.B. ASS'Y	POWER	K	P C B パワー	
*	4	WG077900 P.C.B. ASS'Y	POWER	A	P C B パワー	
*	4	WG078000 P.C.B. ASS'Y	POWER	B	P C B パワー	
*	4	WG078100 P.C.B. ASS'Y	POWER	G	P C B パワー	
*	4	WG078200 P.C.B. ASS'Y	POWER	L	P C B パワー	
	140	WG662000 BARRIER TRANS			バリア/トランス	

* New Parts * 新規部品

REMOTE CONTROL RAV 358, RAV359

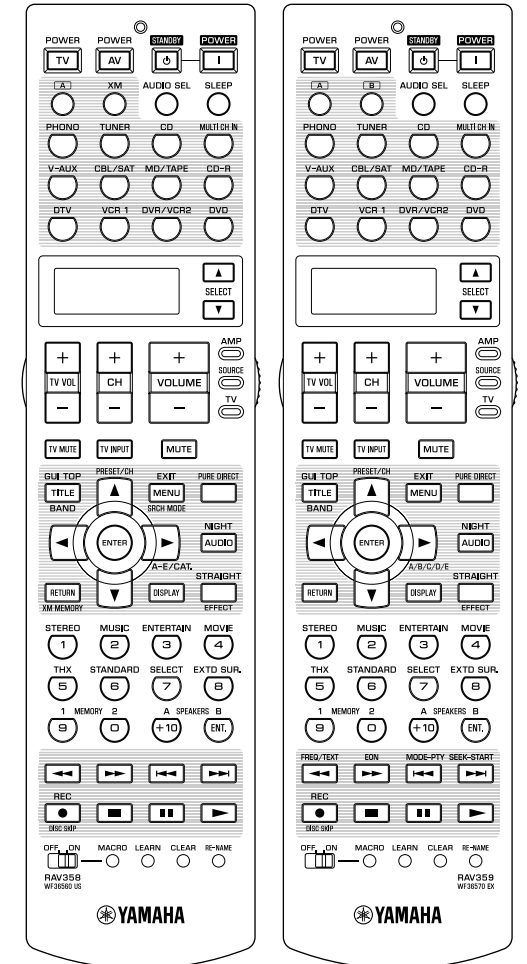
SCHEMATIC DIAGRAM



REMOTE CONTROL PANELS

RAV358
(U, C models)

RAV359
(R, T, K, A,
B, G, L, J models)



KEY NO. LAYOUT

KEY CHART

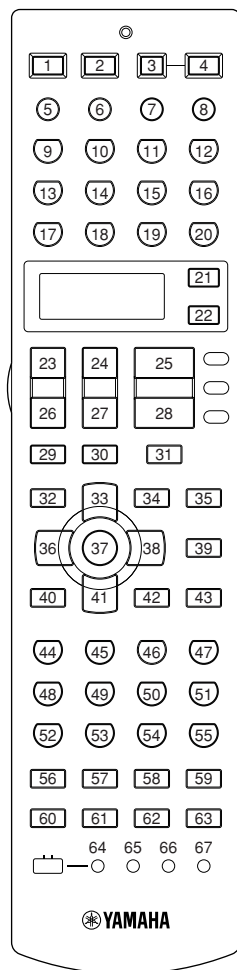
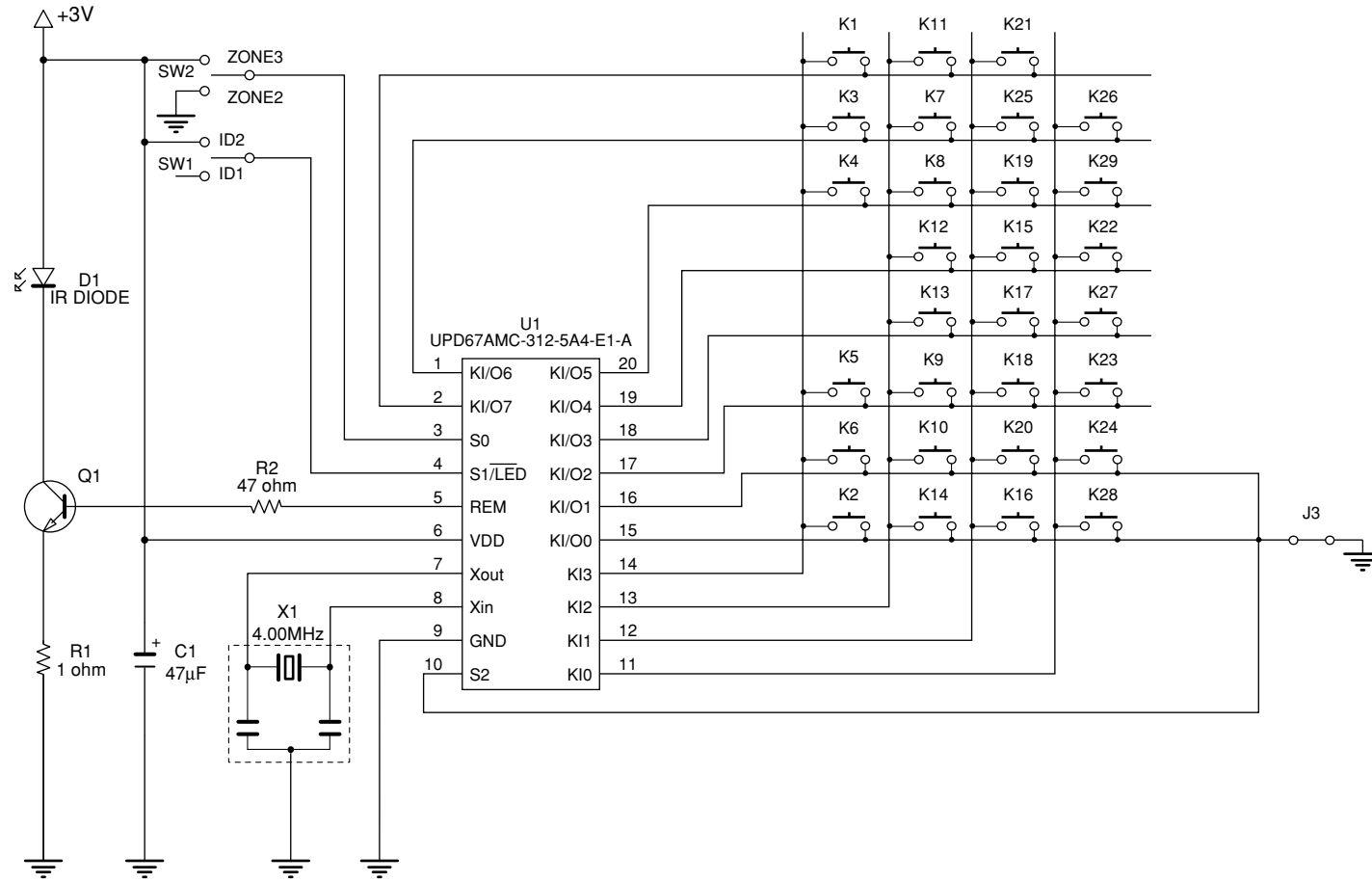


Table with columns: NO, Label, AREA, LEARN, MACRO, Luminous or transparent, AMP Library AMPZ1: 2001 (default) (MAIN, ZONE2, ZONE3, SYSTM), AMP Library AMPZ2: 2002 (MAIN, ZONE2, ZONE3, SYSTM), and various function descriptions for buttons 1-67.

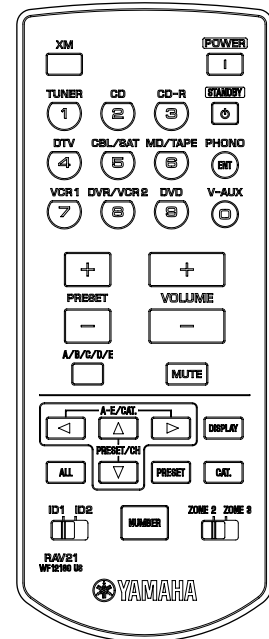
REMOTE CONTROL RAV 20, 21

SCHEMATIC DIAGRAM



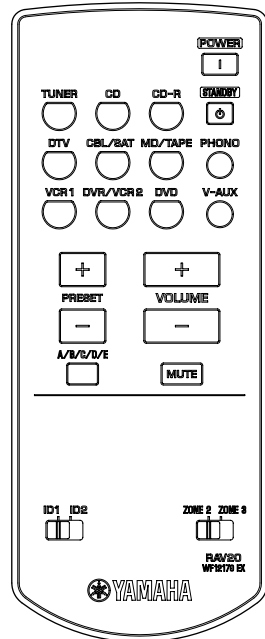
REMOTE CONTROL PANELS

RAV21
(U, C models)

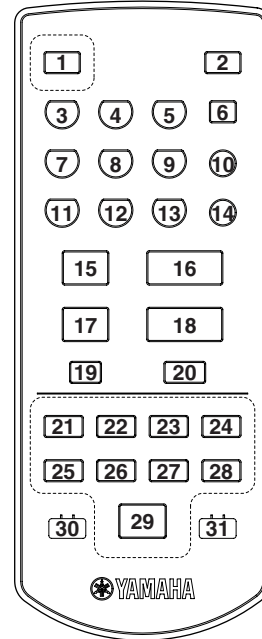


RAV20

(R, T, K, A, B, G, L, J models)



KEY NO. LAYOUT



RAV21 (U, C models)

KEY CHART

YAMAHA IR CODE TABLE					
Key No.	Key Name Type B1 (ZONE/XM)	Code			
		ID 1		ID 2	
		ZONE 2	ZONE 3	ZONE 2	ZONE 3
1	XM	7A-B8	7A-B9	7D-2F	7D-30
2	POWER	7E-BA	7A-ED	7D-64	7D-74
3	TUNER	7A-D2	7A-F3	7D-66	7D-76
4	1 (NUMBER + TUNER)	7A-61		7D-A1	
	CD	7A-D1	7A-F2	7D-67	7D-77
5	2 (NUMBER + CD)	7A-62		7D-A2	
	CD-R	7A-D4	7A-F5	7D-6B	7D-7B
6	3 (NUMBER + CD-R)	7A-63		7D-A3	
	STANDBY	7E-BB	7A-EE	7D-63	7D-73
7	DTV	7A-D9	7A-F6	7D-6C	7D-7C
	4 (NUMBER + DTV)	7A-64		7D-A4	
8	CBL/SAT	7A-CC	7A-F7	7D-69	7D-79
	5 (NUMBER + CBL/SAT)	7A-65		7D-A5	
9	MD/TAPE	7A-D3	7A-F4	7D-6A	7D-7A
	6 (NUMBER + MD/TAPE)	7A-66		7D-A6	
10	PHONO	7A-D0	7A-F1	7D-65	7D-75
	ENT + PHONO	7A-BF		7D-3F	
11	VCR 1	7A-D6	7A-F9	7D-6D	7D-7D
	7 (NUMBER + VCR 1)	7A-67		7D-A7	
12	DVR/VCR 2	7A-D7	7A-FA	7D-6E	7D-7E
	8 (NUMBER + DVR/VCR 2)	7A-68		7D-A8	
13	DVD	7A-CD	7A-FC	7D-6F	7D-7F
	9 (NUMBER + DVD)	7A-69		7D-A9	
14	V-AUX	7A-D8	7A-F0	7D-68	7D-78
	0 (NUMBER + V-AUX)	7A-60		7D-A0	
15	PRESET (+)	7A-10		7D-F5	
16	VOLUME (+)	7A-DA	7A-FD	7D-70	7D-20
17	PRESET (-)	7A-11		7D-F6	
18	VOLUME (-)	7A-DB	7A-FE	7D-71	7D-21
19	A/B/C/D/E	7A-12		7D-F7	
20	MUTE	7A-DC	7A-FF	7D-72	7D-22
21	A-E/CAT. ◀	7A-6E		7D-35	
22	PRESET/CH ▲	7A-6A		7D-31	
23	A-E/CAT. ▶	7A-6C		7D-33	
24	DISPLAY	7A-72		7D-39	
25	ALL	7A-B5		7D-2C	
26	PRESET/CH ▼	7A-6B		7D-32	
27	PRESET	7A-B7		7D-2E	
28	CAT.	7A-B6		7D-2D	
29	NUMBER			-	
30	ID 1/ID 2			-	
31	ZONE 2/ZONE 3			-	

ADVANCED SETUP

This unit has additional menus that are displayed in the front panel display. The ADVANCED SETUP menu offers additional operations to adjust and customize the way this unit operates. Change the initial settings (indicated in bold under each parameter) to reflect the needs of your listening environment.

Using ADVANCED SETUP

- 1 Press **MASTER ON/OFF** on the front panel to release it outward to the **OFF** position to set this unit, Zone 2 and Zone 3 to the standby mode.

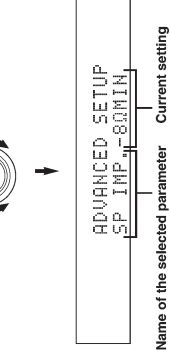


- 2 Press and hold **STRAIGHT (EFFECT)** on the front panel and then press **MASTER ON/OFF** inward to the **ON** position to turn on the power of this unit.



- 3 Rotate the **PROGRAM** selector on the front panel to select the parameter you want to adjust.

The name of the selected parameter appears in the front panel display. See page 101 and 102 for a complete list of available parameters.



Name of the selected parameter Current setting

ADVANCED OPERATION

- **Speaker impedance SP IMP.**
Use to set the impedance of this unit so that it matches that of your speakers.
Choices: 6ΩMIN, 8ΩMIN
- Select 6ΩMIN for speakers with 6 ohms or higher.
- Select 8ΩMIN for speakers with 8 ohms or higher.

- **User preset PRESET**

Use to reset all the parameters of this unit to the initial factory settings with the exception of System Memory and AUTO SETUP settings.

- Select **CANCEL**, RESET
- Select **CANCEL**, if you do not want to reset the parameters of this unit.
- Select **RESET** to reset the parameters of this unit.

Notes

- This setting does not affect the ADVANCED SETUP menu item parameters.
- The initial factory settings are activated next time you turn on the power of this unit.

101

ADVANCED SETUP

- **Remote sensor REMOTE SEN**
Use to activate or deactivate the signal-receiving capability of the remote control sensor on the front panel of this unit.
Choices: **ON**, OFF
- Select **ON** if you want to activate the signal-receiving capability of the remote control sensor.
- Select **OFF** if you want to deactivate the signal-receiving capability of the remote control sensor.

Note

We recommend setting this parameter to ON in most cases.

- **Wake on RS-232C access WAKE_ON 232C**
Use to set this unit to transmit data via the RS-232C interface when this unit is in the standby mode.

- Choices: **Y** (yes), **N** (no)
- Select **Y** set this unit to transmit data via the RS-232C interface.
- Select **N** set this unit not to transmit data via the RS-232C interface.

- **Remote control AMP ID REMOTE AMP**
Use to set the AMP ID of this unit for remote control recognition (see page 106).

- Select ID1 when the remote control AMP library code is set to 2001.
- Select ID2 when the remote control AMP library code is set to 2002.

Note

You need to set the corresponding remote control code for the remote control.

- **Remote control tuner ID REMOTE TUN**
Use to set the tuner ID of this unit for remote control recognition (see page 106).

- Choices: **ID1**, **ID2**
- Select ID1 when the remote control tuner library code is set to 2602.
- Select ID2 when the remote control tuner library code is set to 2603.

Note

You need to set the corresponding remote control code for the remote control.

- **Remote control XM ID REMOTE XM (U.S.A. model only)**

Use to switch the XM-related remote control codes between ID1 and ID2.

- Choices: **ID1**, **ID2**
- Select ID1 when the remote control XM library code is set to 2604.
- Select ID2 when the remote control XM library code is set to 2605.

Note

You need to set the corresponding remote control code for the remote control.

102

アドバンスドセットアップメニューを設定する

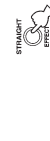
フロントパネルのディスプレイを使ってメニューを表示させて、さまざまな項目を設定することができます。

- 1 **本機の電源がオフになっていることを確認する**

PRESET
本機の手元のすべてのパラメーターを工場出荷状態に戻します。

選択項目：RESET, CANCEL
初期設定：CANCEL

- 2 **STRAIGHT/EFFECTキーを押しながら、MASTER ON/OFFスイッチを押す**



本機のパラメーターを初期設定に戻さないときに選択します。

本機のパラメーターを初期設定に戻します。

REMOTE SEN

リモコンでの本体操作を有効にするか確認します。

選択項目：ON, OFF
初期設定：ON

ON
リモコンの操作を有効にします。本機をリモコンで操作することができません。

OFF
リモコンの操作を有効にします。本機をリモコンで操作することはできません。

WAKE ON 232C
本機がスタンバイのときに、RS-232C端子からのデータを受信するか、受信しないかを設定します。

選択項目：Y, N
初期設定：N

Y
RS-232C端子からのデータを受信します。

N
RS-232C端子からのデータを受信しません。

REMOTE AMP
本機のリモコンIDをリモコンのアンブレイトライブラリー設定(83ページ)に合わせます。

選択項目：ID1, ID2
初期設定：ID1

ID1
リモコンのアンブレイトライブラリーが「2001」に設定されているときに選択します。

ID2
リモコンのアンブレイトライブラリーが「2002」に設定されているときに選択します。

REMOTE TUN
本機のリモコンIDをリモコンのチューナーライブラリー設定(83ページ)に合わせます。

選択項目：ID1, ID2
初期設定：ID1

ID1
リモコンのアンブレイトライブラリーが「2602」に設定されているときに選択します。

ID2
リモコンのアンブレイトライブラリーが「2603」に設定されているときに選択します。



PROGRAMセレクトキーを押し、設定を変更する

次に電源を入れたときから、変更した設定が有効になります。

4 STRAIGHT/EFFECTキーを押し、設定を変更する

リモコンのチューナーライブラリーが「2602」に設定されているときに選択します。

5 MASTER ON/OFFスイッチを押して、設定を保存する

リモコンのチューナーライブラリーが「2603」に設定されているときに選択します。

- **Fan operation mode FAN MODE**

Use to set the operation of the cooling fan of this unit.

- Choices: **AUTO**, CONT.
- Select **AUTO** to set the fan to operate automatically according to the temperature of this unit.
- Select **CONT.** to set the fan to operate continuously regardless of the temperature of this unit.

- **Tuner frequency step TU (Asia and General models only)**

Use to set the tuner frequency step according to the frequency spacing in your area.

- Choices: AM10/FM100, **AM9/FM50**
- Select AM10/FM100 for North, Central and South America
- Select AM9/FM50 for all other areas.

- **Bi-AMP BI-AMP**

Use to activate or deactivate the bi-AMP function.

- Choices: **ON**, **OFF**
- Select **ON** if you want to activate the bi-AMP function.
- Select **OFF** if you want to deactivate the bi-AMP function.

Note

When Bi-AMP is set to ON, the SURROUND BACK terminals cannot be used to connect surround back speakers in that the SURROUND BACK terminals are already used for the bi-AMP connection (see page 19).

- **Video reset U-RESET**

Use to initialize the parameter settings for Dimmer in the Option menu (see page 95). This feature is useful if the SET MENU items are not displayed on your video monitor due to a technical error between the CMPNT I/P setting and the capability of your video monitor. That is, if your video monitor does not support the analog video signals with 480p of resolution, the SET MENU items may not be displayed on your video monitor when Component I/P is set to On (see page 88).

- Choices: **YES**, **CANCEL**

Note

The parameter setting for Dimmer is not initialized (see page 95).

- **TV format TU FORMAT**

Use to set the color encoding format of your television.

Choices: PAL, NTSC

Initial setting:
NTSC (U.S.A., Canada, General and Korea models)

PAL (other models)

- **GUI language L#H#G.**

Use to select the language of your choice that appears in the GUI (graphical user interface) menu of this unit.

- Choices: **ENGLISH** (English), **JAPANESE** (Japanese), **FRENCH** (French), **GERMAN** (German), **SPANISH** (Spanish)

アドバンスドセットアップメニューを設定する

FAN MODE
冷却ファン動作の設定をします。
選択項目：AUTO, CONT.
初期設定：AUTO

AUTO

本機の温度を感じ、冷却ファンが自動的に回転/停止します。

CONT.

本機の温度にかかわらず、冷却ファンが常時回転します。

BI-AMP

スピーカーをBi-AMP接続して、Bi-AMP機能を使うか使わないかを設定します。

選択項目：OFF, ON
初期設定：OFF

OFF

Bi-AMP機能を使いません。

ON

Bi-AMP機能を使います。ウーファー・ツイーターを別々のアンプで駆動します。

TV FORMAT

お使いのテレビに合わせて、カラー方式を切り替えます。

選択項目：PAL, NTSC
初期設定：NTSC

PAL

PAL方式に切り替えます。

NTSC

NTSC方式に切り替えます。通常はこの設定でお使いください。

LANG.

GUIメニューで表示する言語を切り替えます。

選択項目：JAPANESE, FRENCH, GERMAN, SPANISH, ENGLISH, JAPANESE
初期設定：JAPANESE

JAPANESE

日本語で表示します。

FRENCH

フランス語で表示します。

GERMAN

ドイツ語で表示します。

SPANISH

スペイン語で表示します。

ENGLISH

英語で表示します。

V-RESET

「設定の戻し」(57ページ)で変更した項目を工場出荷状態に戻します。

選択項目：YES, CANCEL
初期設定：CANCEL

YES

工場出荷状態に戻します。

CANCEL

工場出荷状態に戻さないときに選択します。

RX-V2600/DSP-AX2600

