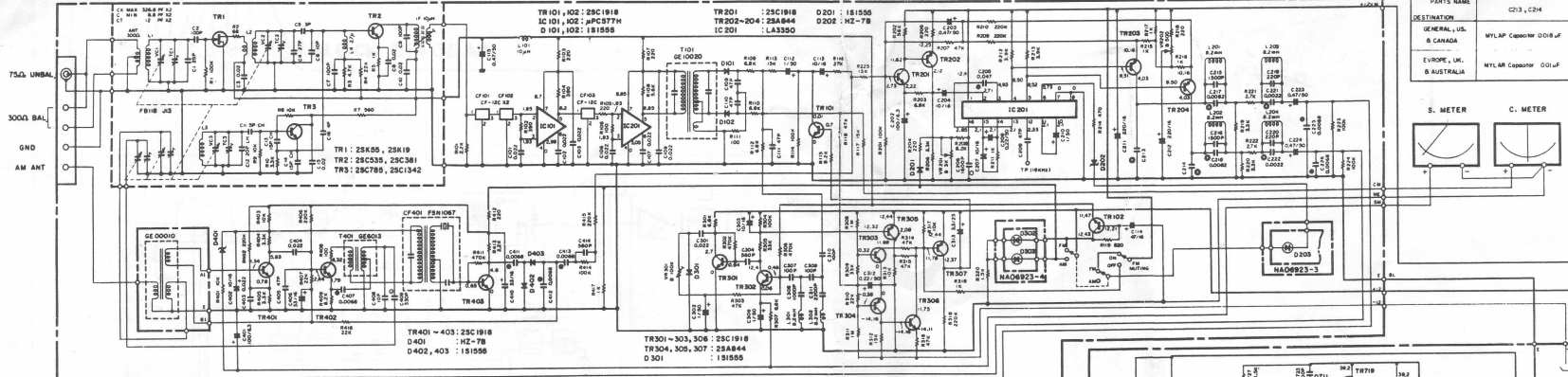
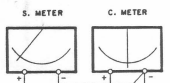


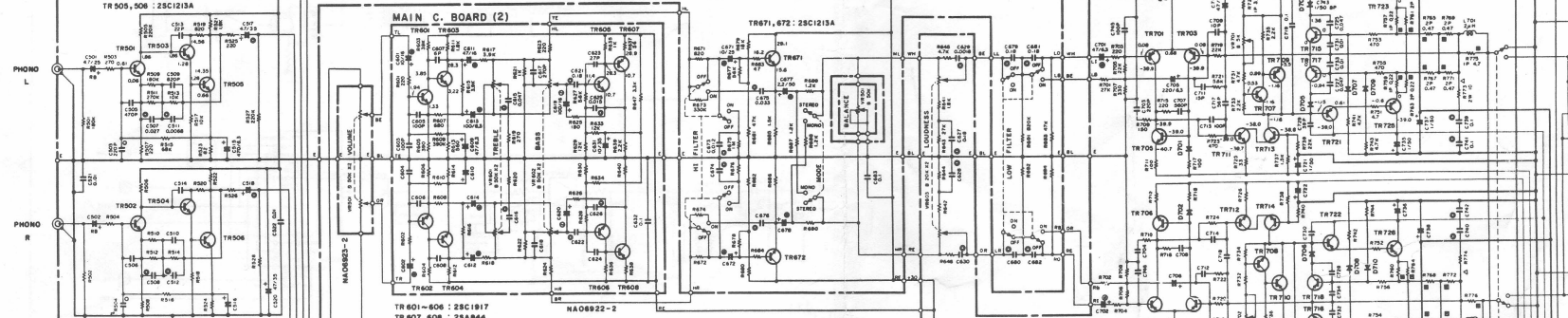
TUNER C. BOARD (1) NAO6923-1



PARTS NAME	C213, C214
SELECTION	
1 CANADA	WFLAP CASHW 0018 JF
2 EUROPE, UK	WFLAR CASHW 0018 JF
3 AUSTRALIA	WFLAR CASHW 0018 JF



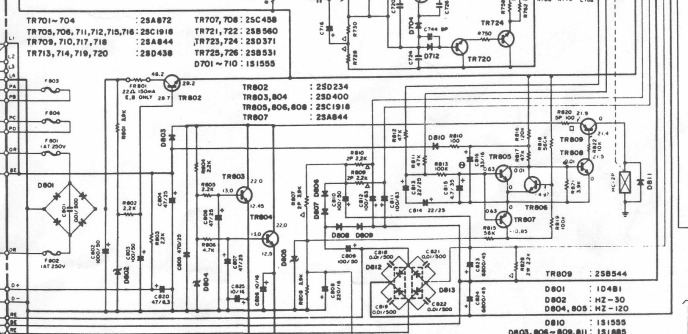
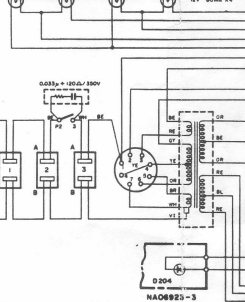
MAIN C. BOARD (2) NAO6922-2



NOTE )

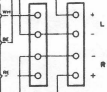
SYMBOL	PART NAME	REMARKS
⊙	RESISTOR	
⊖	FUSE RESISTOR	
△	METALIZED OXIDATION RESISTOR	
■	FIRE PROOFED RESISTOR	
□	CARBON RESISTOR	
⊠	CEMENT MOLDED RESISTOR	
⊞	METALIZED FILM RESISTOR	
⊙	CAPACITOR	
⊙	MYLAR CAPACITOR	
□	CERAMIC CAPACITOR	
○	POLYSTYRENE CAPACITOR	
⊖	EL CERAMIC CAPACITOR	
⊖	ELECTROLYTIC CAPACITOR	
⊖	LOW-NOISE ELECTROLYTIC CAPACITOR	
⊖	TANTALUM CAPACITOR	
⊖	RS CAPACITOR	
BP	POLAR CAPACITOR	

FOR METER LIGHTING FOR POINTER LIGHTING

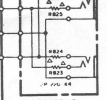


MAIN C. BOARD (1) NAO6922-1

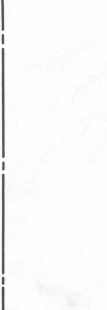
SPEAKERS A B



PHONES



NAO6922-3



NAO6922-3

DIN CONNECTORS EMPLOY ONLY EUROPEAN MODELS

# CR-620

## BLOCK DIAGRAM

