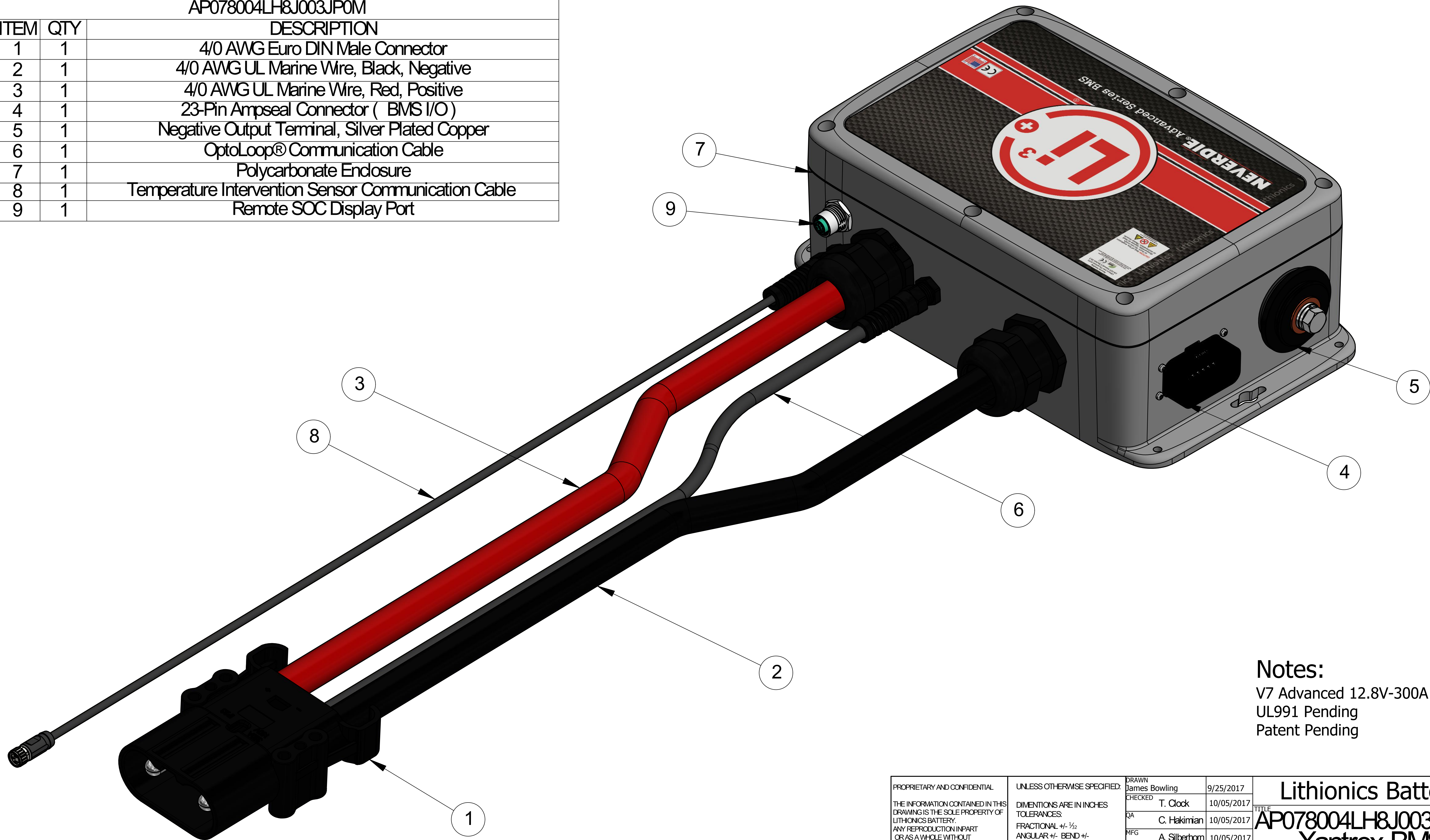


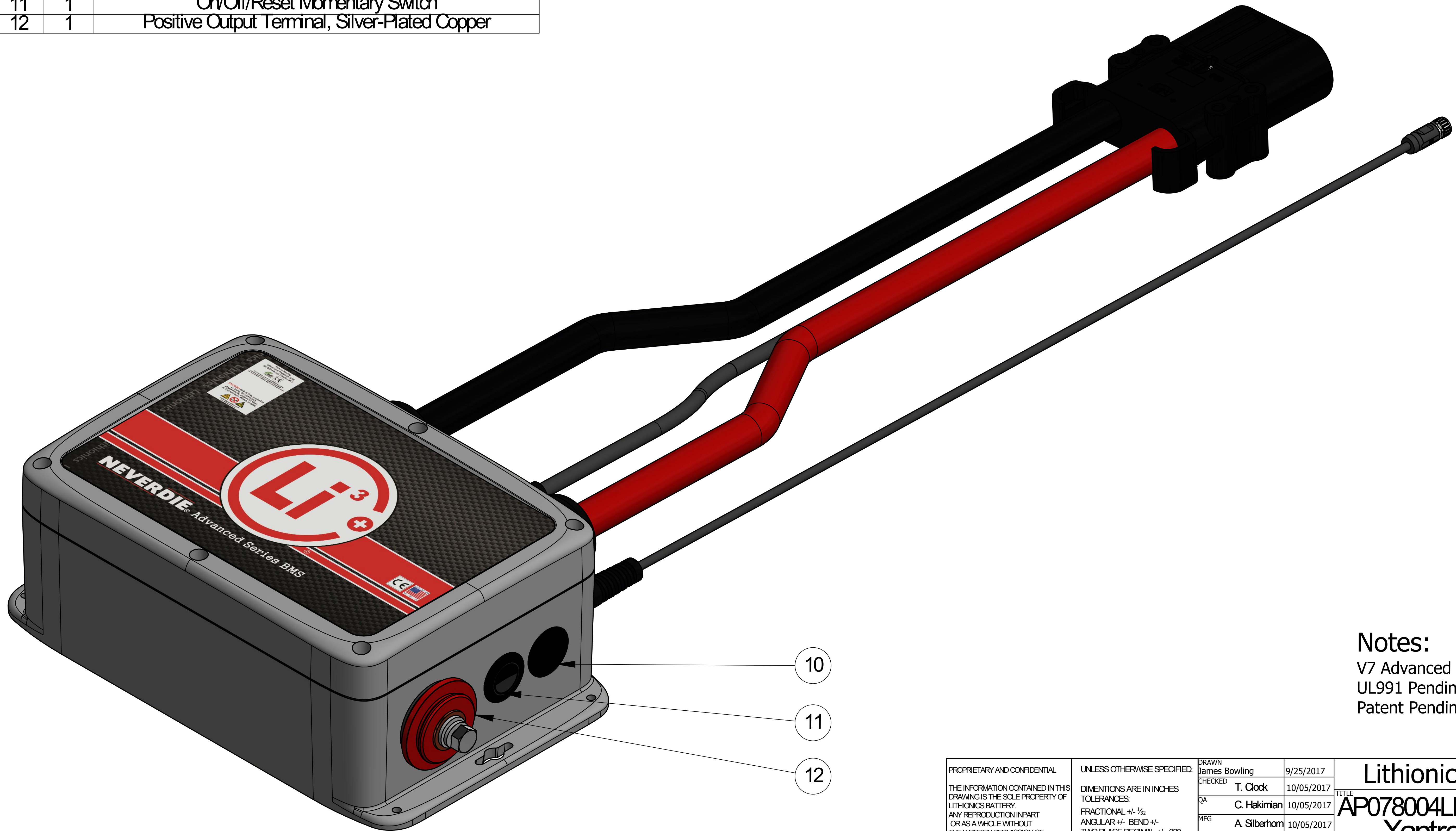
AP078004LH8J003JP0M		
ITEM	QTY	DESCRIPTION
1	1	4/0 AWG Euro DIN Male Connector
2	1	4/0 AWG UL Marine Wire, Black, Negative
3	1	4/0 AWG UL Marine Wire, Red, Positive
4	1	23-Pin Ampseal Connector (BMS I/O)
5	1	Negative Output Terminal, Silver Plated Copper
6	1	OptoLoop® Communication Cable
7	1	Polycarbonate Enclosure
8	1	Temperature Intervention Sensor Communication Cable
9	1	Remote SOC Display Port



Notes:
V7 Advanced 12.8V-300A
UL991 Pending
Patent Pending

<small>PROPRIETARY AND CONFIDENTIAL</small> <small>THE INFORMATION CONTAINED IN THIS DRAWING IS THE SOLE PROPERTY OF LITHIONICS BATTERY. ANY REPRODUCTION IN PART OR AS A WHOLE WITHOUT THE WRITTEN PERMISSION OF LITHIONICS BATTERY IS PROHIBITED.</small>	<small>UNLESS OTHERWISE SPECIFIED:</small> <small>DIMENSIONS ARE IN INCHES</small> <small>TOLERANCES:</small> <small>FRACTIONAL +/- 1/32</small> <small>ANGULAR +/- BEND +/-</small> <small>TWO PLACE DECIMAL +/- .020</small> <small>THREE PLACE DECIMAL +/- .005</small>	<small>DRAWN</small> James Bowling 9/25/2017 <small>CHECKED</small> T. Clock 10/05/2017 <small>QA</small> C. Hakimian 10/05/2017 <small>MFG</small> A. Silberhorn 10/05/2017 <small>APPROVED</small> S. Tartaglia 10/05/2017	<small>TITLE</small> Lithionics Battery AP078004LH8J003JP0M Xantrex-BMS
		<small>PART NO.</small> AP078004LH8J003JP0M-R0	<small>DWG NO.</small>
		<small>REV</small> 0	
		<small>SHEET 1 OF 4</small>	

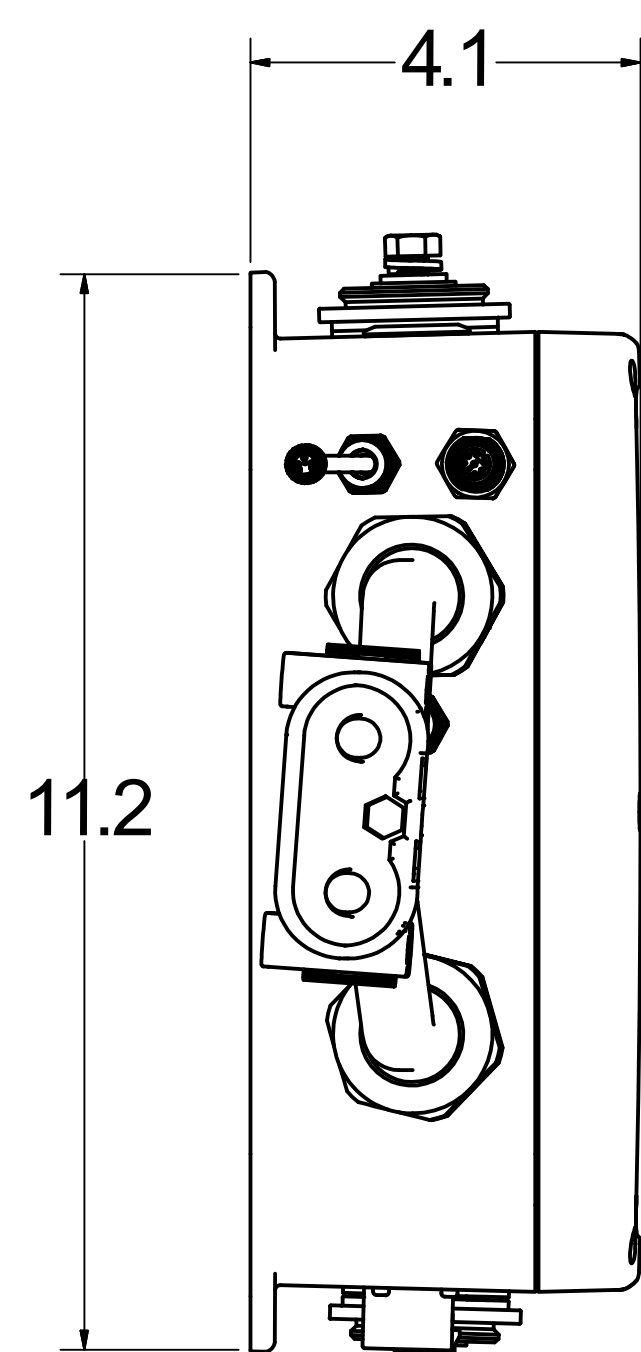
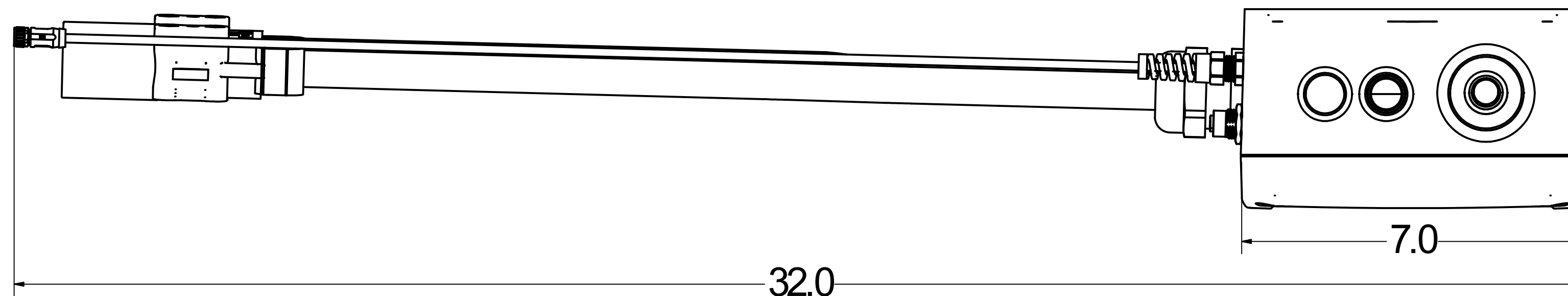
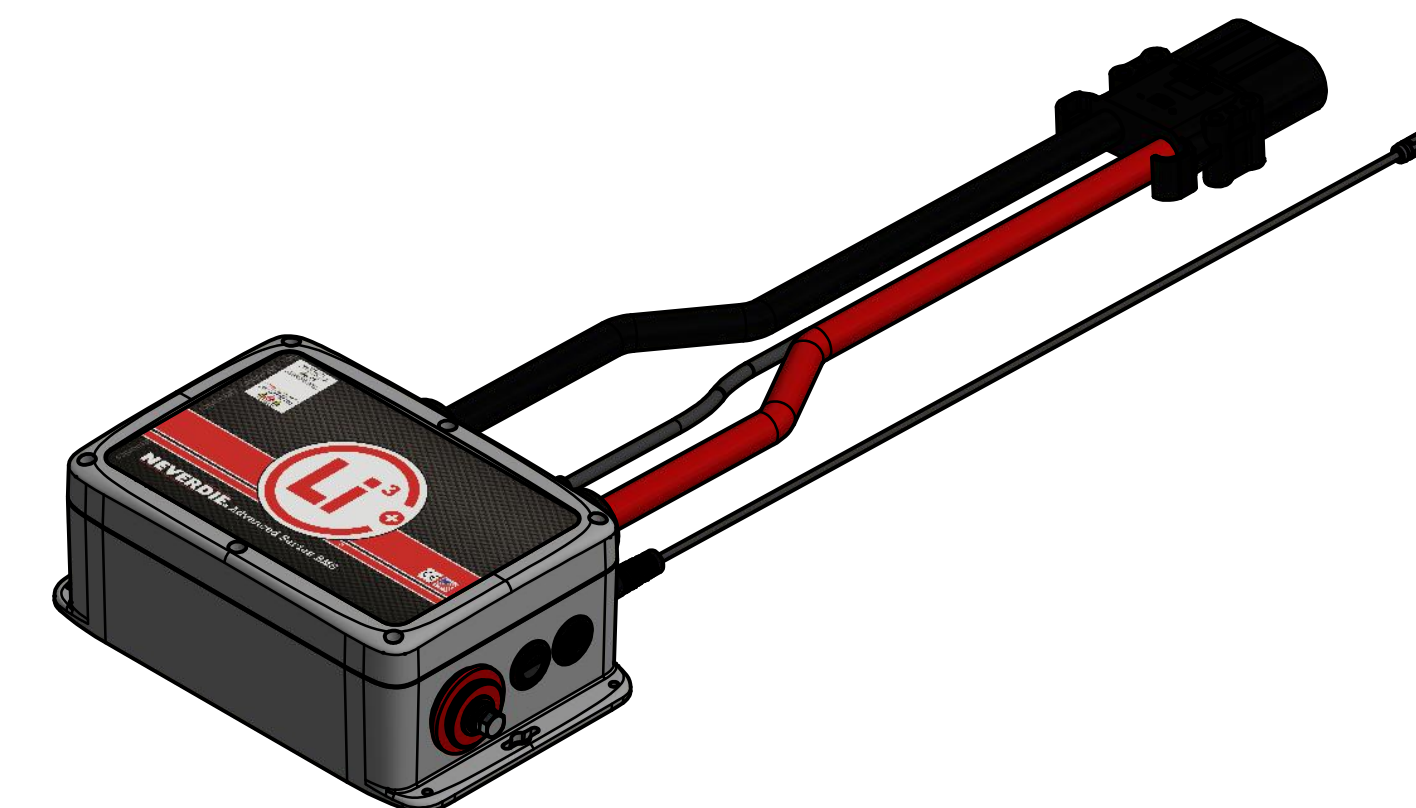
AP078004LH8J003JP0M		
ITEM	QTY	DESCRIPTION
10	1	Power/Storage Mode Latching Switch w/LED Indicator
11	1	On/Off/Reset Momentary Switch
12	1	Positive Output Terminal, Silver-Plated Copper



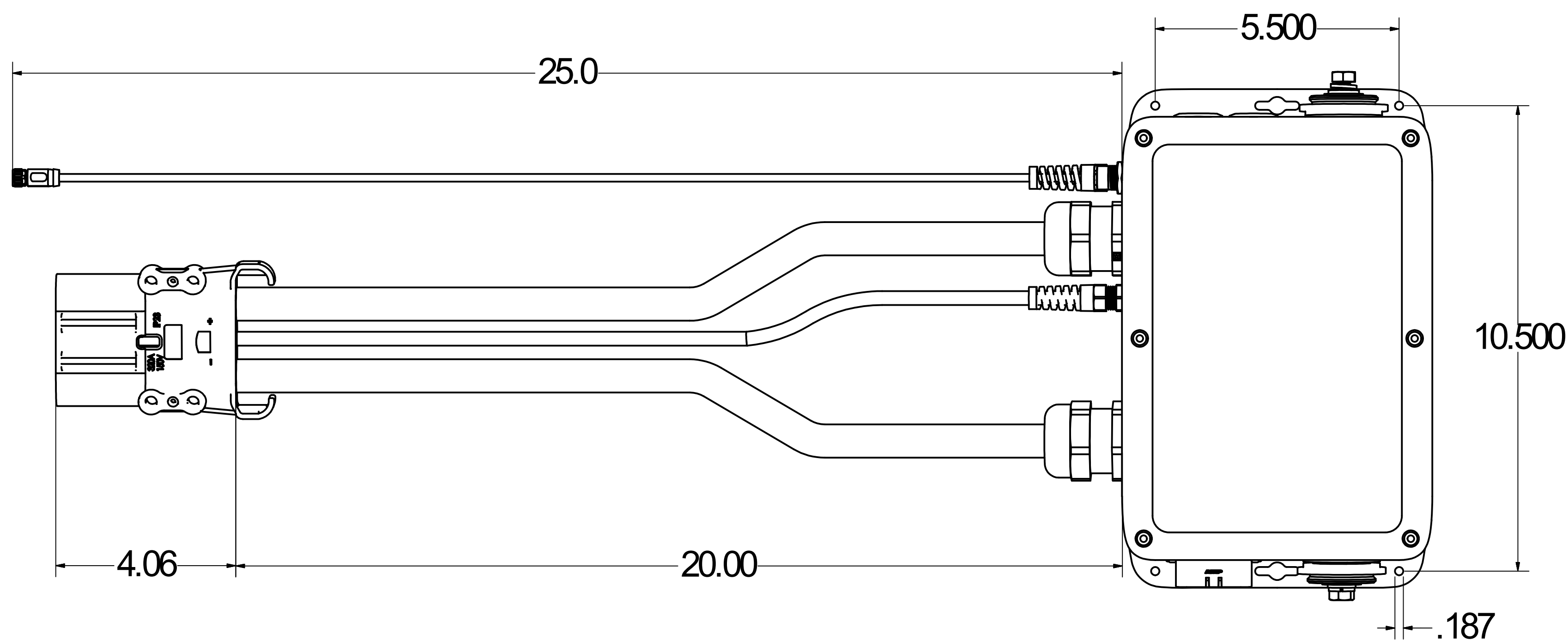
Notes:
V7 Advanced 12.8V-300A
UL991 Pending
Patent Pending

<small>PROPRIETARY AND CONFIDENTIAL</small> <small>THE INFORMATION CONTAINED IN THIS DRAWING IS THE SOLE PROPERTY OF LITHIONICS BATTERY. ANY REPRODUCTION IN PART OR AS A WHOLE WITHOUT THE WRITTEN PERMISSION OF LITHIONICS BATTERY IS PROHIBITED.</small>	<small>UNLESS OTHERWISE SPECIFIED:</small> <small>DIMENSIONS ARE IN INCHES</small> <small>TOLERANCES:</small> <small>FRACTIONAL +/- 1/32</small> <small>ANGULAR +/- BEND +/-</small> <small>TWO PLACE DECIMAL +/- .020</small> <small>THREE PLACE DECIMAL +/- .005</small>	<small>DRAWN</small> James Bowling <small>9/25/2017</small>	<small>TITLE</small> Lithionics Battery AP078004LH8J003JP0M Xantrex-BMS
		<small>CHECKED</small> T. Clock <small>10/05/2017</small>	
		<small>QA</small> C. Hakimian <small>10/05/2017</small>	
		<small>MFG</small> A. Silberhorn <small>10/05/2017</small>	
		<small>APPROVED</small> S. Tartaglia <small>10/05/2017</small>	
<small>PART NO.</small> AP078004LH8J003JP0M-R0	<small>DWG NO.</small>	<small>REV</small> 0	

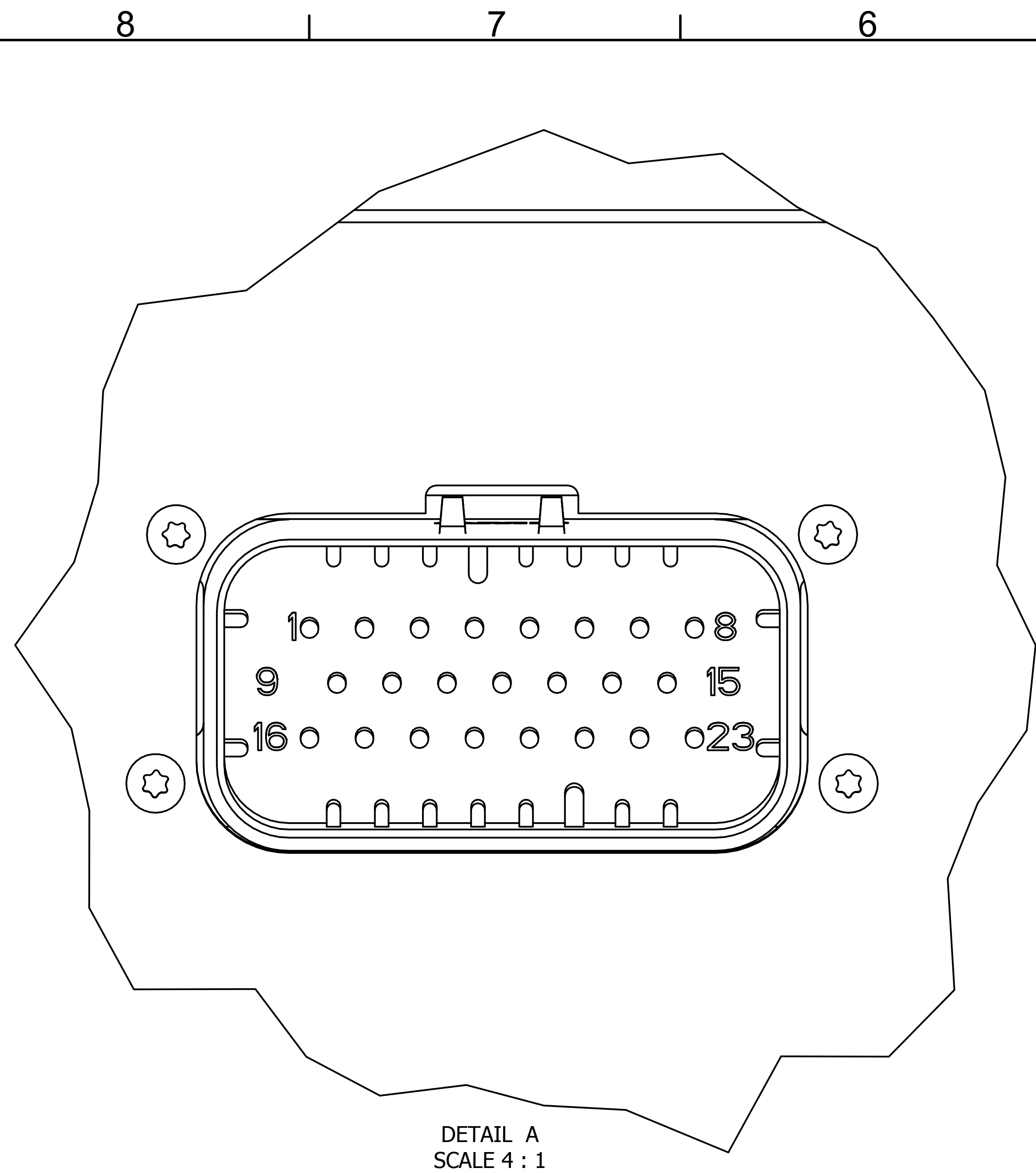
Notes:
 V7 Advanced 12.8V-300A
 UL991 Pending
 Patent Pending



5/16"-18 Bolt
 Torque: 60-80 in lb

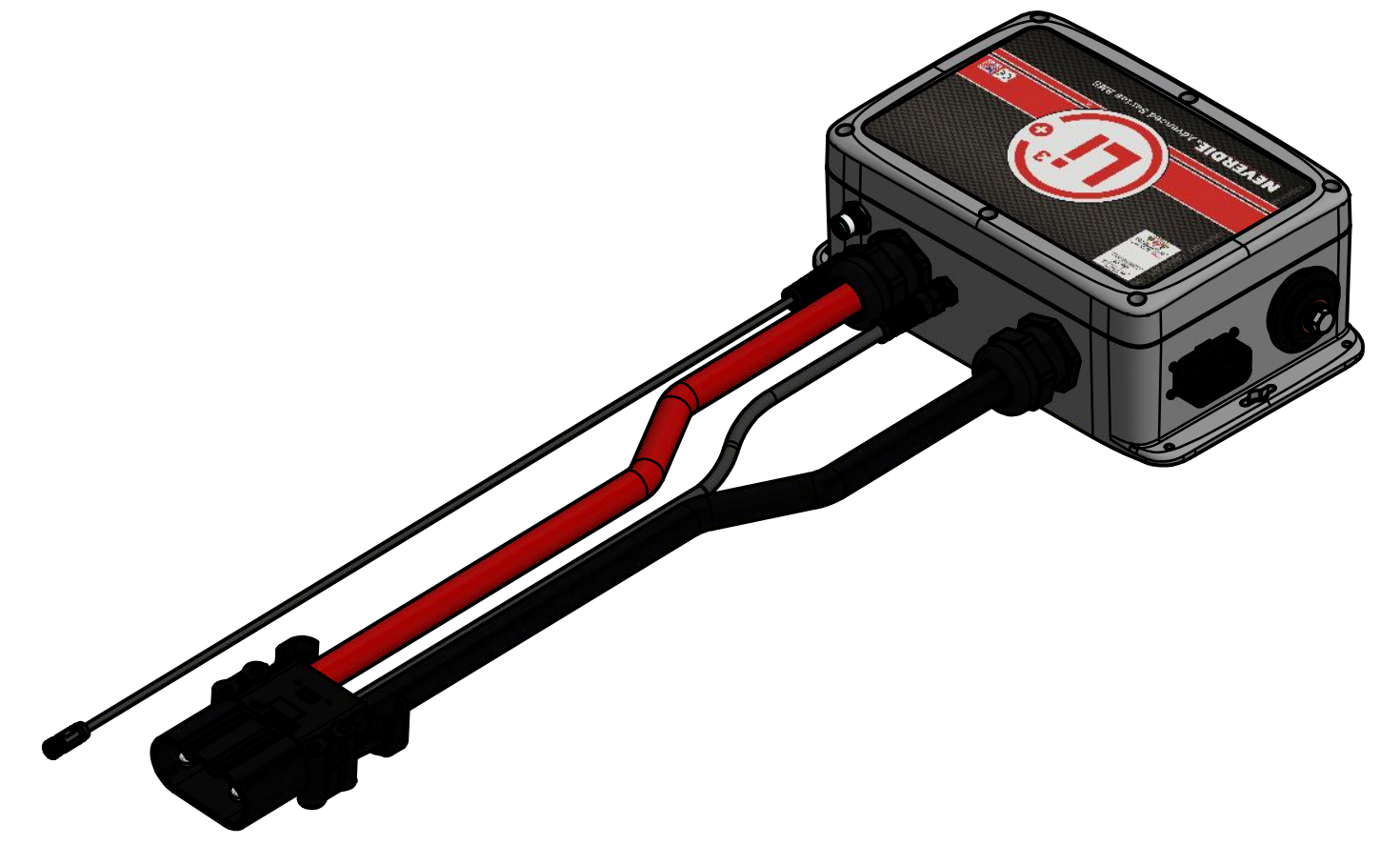


PROPRIETARY AND CONFIDENTIAL THE INFORMATION CONTAINED IN THIS DRAWING IS THE SOLE PROPERTY OF LITHIONICS BATTERY. ANY REPRODUCTION IN PART OR AS A WHOLE WITHOUT THE WRITTEN PERMISSION OF LITHIONICS BATTERY IS PROHIBITED.	UNLESS OTHERWISE SPECIFIED: DIMENSIONS ARE IN INCHES TOLERANCES: FRACTIONAL +/- 1/32 ANGULAR +/- BEND +/- TWO PLACE DECIMAL +/- .020 THREE PLACE DECIMAL +/- .005	DRAWN James Bowling 9/25/2017 CHECKED T. Clock 10/05/2017 QA C. Hakimian 10/05/2017 MFG A. Silberhorn 10/05/2017 APPROVED S. Tartaglia 10/05/2017 PART NO. AP078004LH8J003JP0M-R0	TITLE Lithionics Battery AP078004LH8J003JP0M Xantrex-BMS	DWG NO. REV 0
		SHEET 3 OF 4		

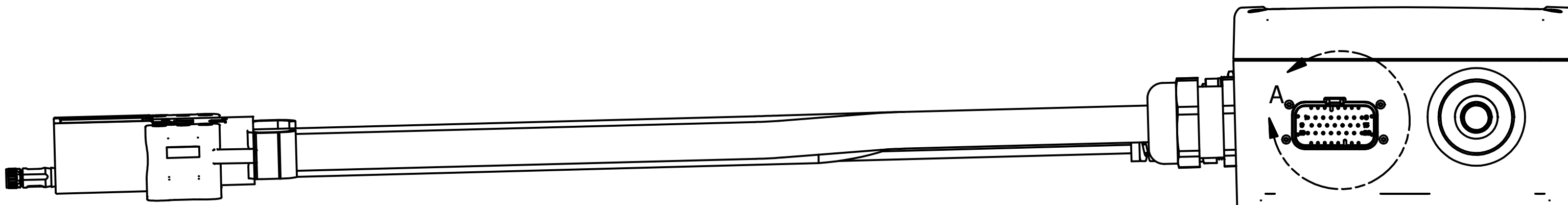


DETAIL A
SCALE 4 : 1

23-Pin, Ampseal Pin Definition		
PIN	FUNCTION	DESCRIPTION
1	FCC 1	FCC Wire 1
2	AGSR 2	AGSR Wire 2
3	AGSR 1	AGSR Wire 1
7	Ext Pwr Input Pos	AC Sense/External Power Positive Wire
8	GND	Common Ground for all Non-Isolated Circuits
9	FCC 2	FCC Wire 2
10	Can High	Isolated CANbus High Signal
11	Serial TX	Isolated Serial UART TX Signal
14	Charger Relay 2	Charger Relay Wire 2
15	Reset Button GND	Reset Button Return Wire
16	Can 5V	Isolated CANbus 5V Power
17	Can Low	Isolated CANbus Low Signal
18	Serial RX	Isolated Serial UART RX Signal
19	Can GND	Isolated CANbus/Serial Ground
22	Charger Relay 1	Charger Relay Wire 1
23	Reset Button	Reset Button Out Wire



Total Supported Functions	
ITEM	DESCRIPTION
1	Alternator Field Control Circuit (FCC)
2	Automatic Generator Start/Restart (AGSR)
3	CANbus Communication
4	Charger High Voltage Cutoff (HVC)
5	Reset Button
6	Serial Communication



Notes:

V7 Advanced 12.8V-300A
UL991 Pending
Patent Pending

PROPRIETARY AND CONFIDENTIAL THE INFORMATION CONTAINED IN THIS DRAWING IS THE SOLE PROPERTY OF LITHIONICS BATTERY. ANY REPRODUCTION IN PART OR AS A WHOLE WITHOUT THE WRITTEN PERMISSION OF LITHIONICS BATTERY IS PROHIBITED.	UNLESS OTHERWISE SPECIFIED: DIMENSIONS ARE IN INCHES TOLERANCES: FRACTIONAL +/- 1/32 ANGULAR +/- BEND +/- TWO PLACE DECIMAL +/- .020 THREE PLACE DECIMAL +/- .005	DRAWN James Bowling 9/25/2017 CHECKED T. Clock 10/05/2017 QA C. Hakimian 10/05/2017 MFG A. Silberhorn 10/05/2017 APPROVED S. Tartaglia 10/05/2017	Lithionics Battery AP078004LH8J003JP0M Xantrex-BMS
	PART NO. AP078004LH8J003JP0M-R0	DWG NO.	REV 0
	SHEET 4 OF 4		