

## LIGHTING PRODUCTS



# MODELS 830 UNIVERSAL BROW MOUNT

## INSTALLATION INSTRUCTIONS

Refer to the General Lighting manual or lamphead specific sheets for safety and maintenance.

### Install Brow/Aerial Mount Models 830

Before mounting check the identification label on the lamphead for specific voltage and current requirements. Check that the length of the wiring is correct.

**Note:** Before drilling holes, place the light in position to check for fit. Ensure that the lamphead will clear all obstructions.

1. Place the light in position.
2. Mark the mounting hole locations and through hole for the wiring. Use the lamphead and attached brackets as a template.
3. Drill the mounting holes. The mounting brackets are predrilled for 1/4 inch hardware. Use 1/4-20 Socket Head cap screws on the lower truck mount.
4. Place the gasket in position at each mount.
5. Secure the light.
6. **The cable must be terminated inside of a water tight enclosure.**
7. Adjust the lamphead angle by loosening the nuts at the turnbuckle; turn the turnbuckle to set at desired position, loctite and tighten nuts.

### Wiring

#### 12/24 VDC

Connect the BLACK wire to GROUND.

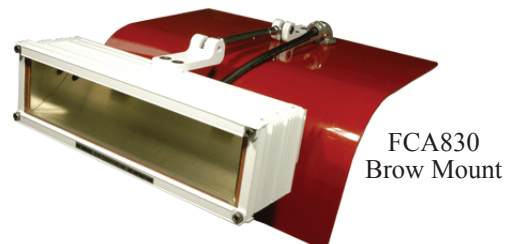
Connect the RED (or WHITE) wire to POWER.

#### 120/240 VAC

Connect the GREEN wire to chassis GROUND.

Connect the WHITE wire to RETURN.

Connect the BLACK wire to POWER.



#### SPECTRA Max-S only

#### 12/24 V DC

- |                                     |         |
|-------------------------------------|---------|
| { Connect the RED wire to POWER.    | } SPOT  |
| { Connect the BLACK wire to GROUND. |         |
| { Connect the ORANGE wire to POWER. | } FLOOD |
| { Connect the BLACK wire to GROUND. |         |

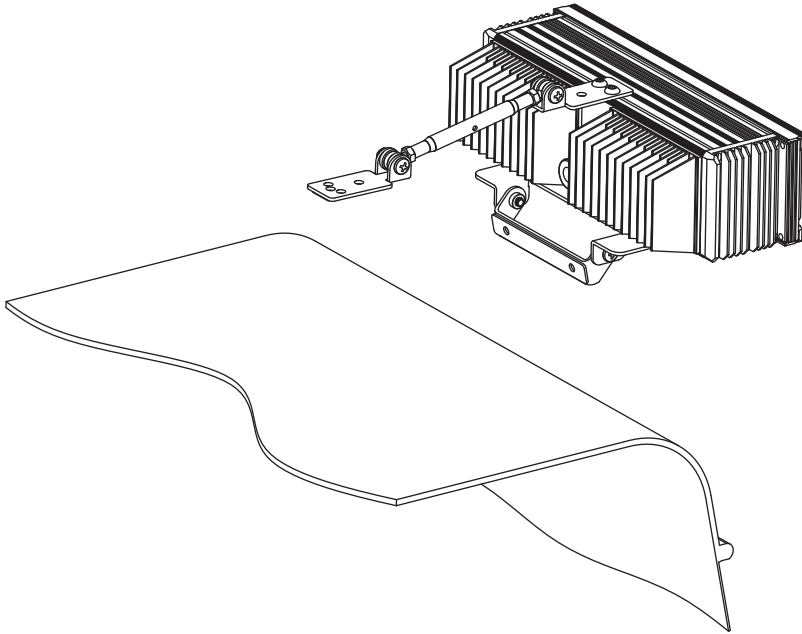
#### 120/240 V AC

Connect the GREEN wire to chassis GROUND.

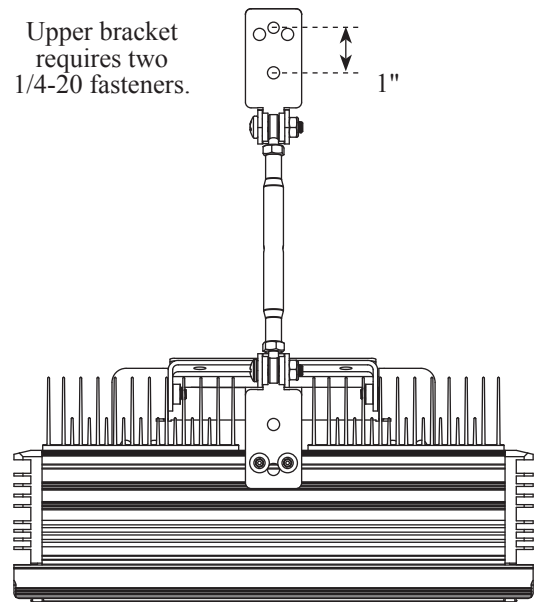
- |                                     |         |
|-------------------------------------|---------|
| { Connect the WHITE wire to RETURN. | } SPOT  |
| { Connect the RED wire to POWER.    |         |
| { Connect the WHITE wire to RETURN. | } FLOOD |
| { Connect the BLACK wire to POWER.  |         |

830  
Brow Mount

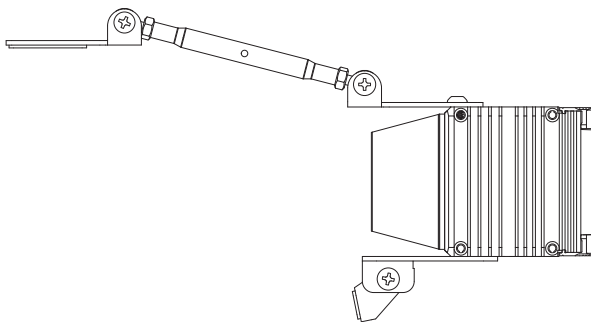
**Note:** It is best to use the lamphead and attached brackets as a template to mark mounting holes. Position lamphead on cab brow and mark mounting holes for upper and lower brackets and wire strain relief.



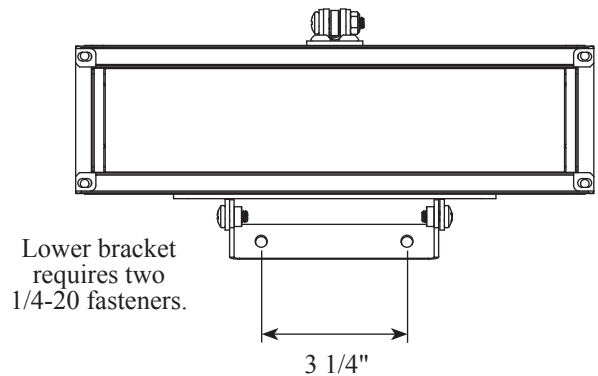
**TYPICAL INSTALLATION**  
The brackets are the same for all FRC universal brow mount lampheads.



Upper bracket with gasket.



Lower bracket with gasket.



**Hardware Recommendations**

For 830 mounts:  
1/4-20 SS