

LIGHTING PRODUCTS

FIRE RESEARCH CORPORATION
26 Southern Blvd., Nesconset, NY 11767
TEL 631.724.8888 FAX 631.360.9727
TOLL FREE 1.800.645.0074
www.fireresearch.com



NOTE: White housing is standard.
Available in Black housing as
model number with "-B".

MODEL CLA101 Series

SAFETY SUMMARY

FRC lighting products are engineered and manufactured with safety in mind. It is critical that FRC lights are installed, maintained, and operated correctly. Read and understand all instructions before installing, performing maintenance, or operating.

All components, equipment, and installation procedures shall conform to NFPA 1901, *Standard for Automotive Fire Apparatus* and NFPA 70 *National Electrical Code*.

General Safety Precautions

Do not stare directly at LEDs when power is on.

Ensure power is off prior to connecting or disconnecting wires/cables and plugs to a power source or performing maintenance.

Disconnect ground connection from battery marked '-' to avoid accidental short circuits before attempting to connect electrical wires.

Installation Safety Precautions

Connect the LED light to a 12 or 24 volt DC power source.

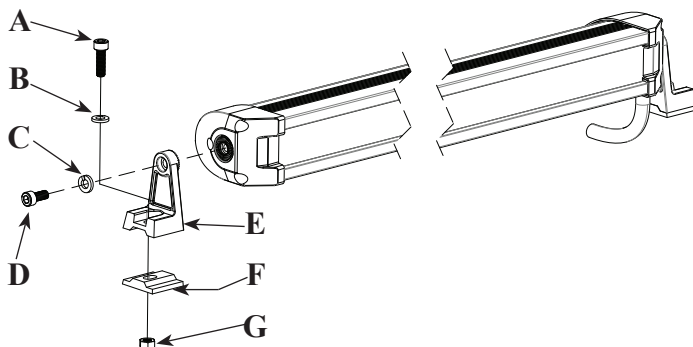
Ensure an appropriate sized circuit protection device is installed (circuit breaker or fuse). See Power Requirements chart below.

INSTALLATION INSTRUCTIONS

Before mounting, check the identification label on the light for specific voltage and current requirements. Check that the length of the wiring is correct. Ensure the CLA101 is mounted so that the lens is focusing the light in the desired direction.

Note: Before drilling holes place the light in position to check for fit. Ensure that the light clears all obstructions.

1. To drill the appropriate mounting hole(s), measure and mark the two mounting hole locations. **Refer to the chart and drawings on page 2 for the mounting hole dimensions of the light being installed.**
2. Attach the mounting brackets using the provided hardware, as indicated in the drawing below.
3. Mount the LED light by using provided hardware to fasten it to your apparatus. If the M6 fasteners (A) are not long enough to attach to your apparatus, it is recommended to use longer fasteners, such as longer length M6 or 1/4 inch (not supplied) with the appropriate nut.



- A. M6 x 20mm Socket Cap Screw
- B. M6 Flat Washer
- C. M6 Lock Washer
- D. M6 x 14mm Socket Cap Screw
- E. Mounting Bracket
- F. Gasket
- G. M6 Nylon Lock Nut

WIRING

Label Name	Wire Color	Model Number
CLA101-A49, CLA101-A62, CLA101-A68 & CLA101-A28		
Negative	Black	X
Narrow Flood	Green	X
Low Beam	Red	X

NOTE: Lamphed is supplied with a 32" long cable (3/8" OD) with 14 AWG wires.

NOTE: See Power Requirements on page 2.

NOTE: Available in Black housing as model number with "-B"

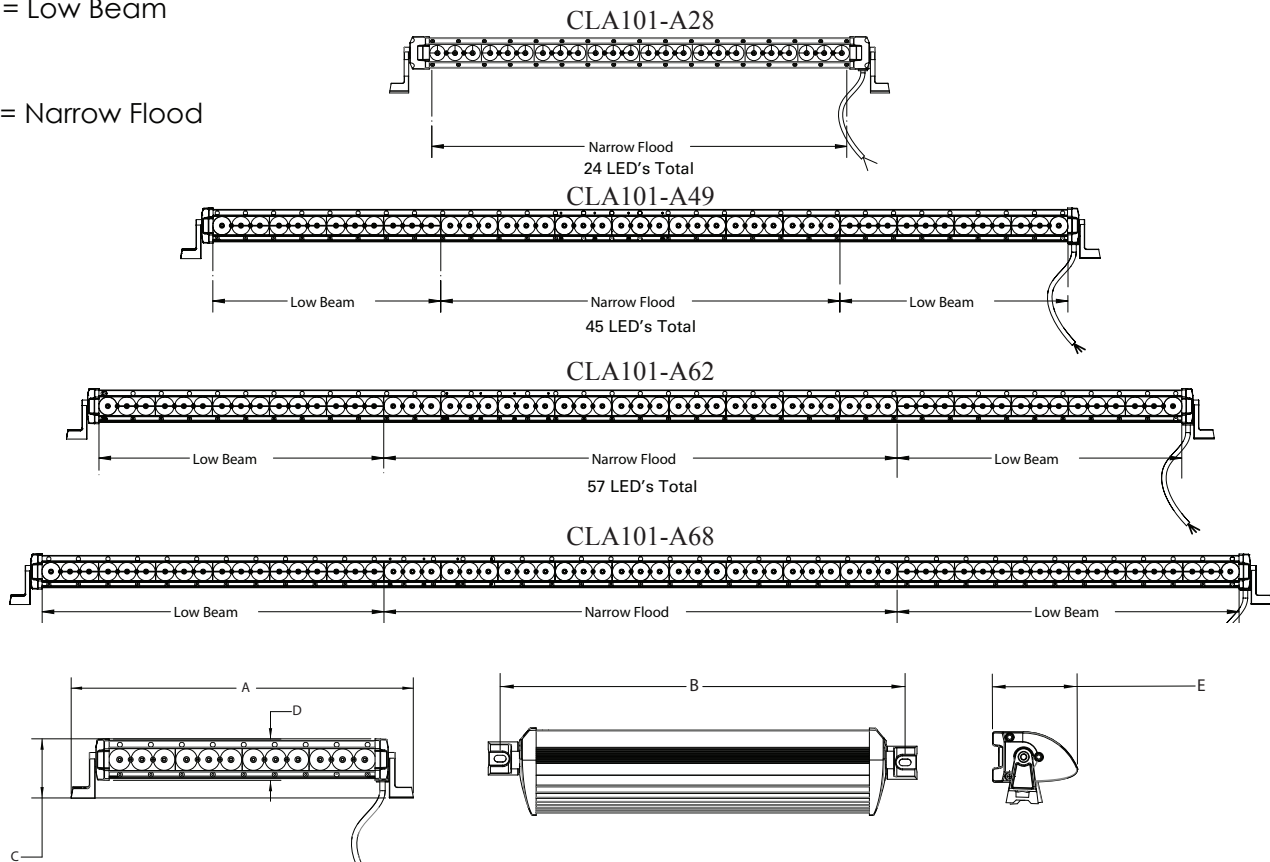
Key

Install Crest Light CLA101 Series

CLA101-Rev230613

☉ = Low Beam

⊙ = Narrow Flood



Model		A	B	C	D	E
		Width w/ Bracket	Mounting Holes	Height w/ Bracket	Height w/o Bracket	Depth
CLA101-A49	INCH	52 1/2	51 5/8	3	1 13/16	3 5/16
	MM	1308.1	1311.3	76.2	46.1	84.1
CLA101-A62	INCH	65 1/4	64 3/8	3	1 13/16	3 5/16
	MM	1657.4	1635.1	76.2	46.1	84.1
CLA101-A68	INCH	71 5/8	70 3/4	3	1 13/16	3 5/16
	MM	1819.4	1797.1	76.2	46.1	84.1
CLA101-A28	INCH	30 1/4	29 5/16	3	1 3/16	3 5/16
	MM	768.4	744.5	76.2	46.1	84.1

Power Requirements					
Model	Supply Voltage (VDC)	Low Beam (Watts)	Narrow Flood (Watts)	Total Power (Watts)	Output (Lumens)
CLA101-A49	12/24	85	80	165	12,500
CLA101-A62	12/24	110	100	210	16,100
CLA101-A68	12/24	134	100	234	17,800
CLA101-A28	12/24	N/A	100	100	5,600

MAINTENANCE

Use a clean soft cloth, mild soap, and water to clean the lens.

NOTE: FRC LED lampheads use Lexan lenses and cleaning with abrasive materials, solvents, or most chemical cleaners can cause lens surface degradation and reduced performance of the light. *Some chemicals will cause the lens to become brittle and prone to cracking.*

NOTE: Do not use Loctite on any screws near the lamphead lens. FRC LED lampheads use Lexan lenses that can become brittle and prone to cracking when exposed to Loctite compounds.