

WHELEN[®]

ENGINEERING COMPANY INC.

Route 145, Winthrop Road,
Chester, Connecticut 06412

Phone: (860) 526-9504

Fax: (860) 526-4078

Internet: www.whelen.com

Sales e-mail: autosale@whelen.com

Canadian Sales e-mail: autocan@whelen.com

Customer Service e-mail: custserv@whelen.com

Installation Guide: 700-series Linear Strobe Lighthouse

Safety First

This document provides all the necessary information to allow your Whelen product to be properly and safely installed. Before beginning the installation and/or operation of your new product, the installation technician and operator must read this manual completely. Important information is contained herein that could prevent serious injury or damage.

- **Proper installation of this product requires the installer to have a good understanding of automotive electronics, systems and procedures.**
- **If mounting this product requires drilling holes, the installer MUST be sure that no vehicle components or other vital parts could be damaged by the drilling process. Check both sides of the mounting surface before drilling begins. Also de-burr any holes and remove any metal shards or remnants. Install grommets into all wire passage holes.**
- **If this manual states that this product may be mounted with tape or Velcro™, clean the mounting surface with a 50/50 mix of isopropyl alcohol and water and dry thoroughly.**
- **Do not install this product or route any wires in the deployment area of your air bag. Equipment mounted or located in the air bag deployment area will damage or reduce the effectiveness of the air bag, or become a projectile that could cause serious personal injury or death. Refer to your vehicle owners manual for the air bag deployment area. The User/Installer assumes full responsibility to determine proper mounting location, based on providing ultimate safety to all passengers inside the vehicle.**
- **For this product to operate at optimum efficiency, a good electrical connection to chassis ground must be made. The recommended procedure requires the product ground wire to be connected directly to the NEGATIVE (-) battery post.**
- **If this product uses a remote device to activate or control this product, make sure that this control is located in an area that allows both the vehicle and the control to be operated safely in any driving condition.**
- **Do not attempt to activate or control this device in a hazardous driving situation.**
- **This product contains either strobe light(s), halogen light(s), high-intensity LEDs or a combination of these lights. Do not stare directly into these lights. Momentary blindness and/or eye damage could result.**
- **Use only soap and water to clean the outer lens. Use of other chemicals could result in premature lens cracking (crazing) and discoloration. Lenses in this condition have significantly reduced effectiveness and should be replaced immediately. Inspect and operate this product regularly to confirm its proper operation and mounting condition. Do not use a pressure washer to clean this product.**
- **It is recommended that these instructions be stored in a safe place and referred to when performing maintenance and/or reinstallation of this product.**
- **FAILURE TO FOLLOW THESE SAFETY PRECAUTIONS AND INSTRUCTIONS COULD RESULT IN DAMAGE TO THE PRODUCT OR VEHICLE AND/OR SERIOUS INJURY TO YOU AND YOUR PASSENGERS!**

For warranty information regarding this product, visit www.whelen.com/warranty

Installation:

WARNING! The strobe light power supply is a high voltage device. Do not remove strobe tubes or dismantle strobe lighthoods in system while in operation. Wait 10 minutes after turning off power before working or trouble shooting

WARNING! All customer supplied wires that connect to the positive terminal of the battery must be sized to supply at least 125% of the maximum operating current and FUSED at the battery to carry the load. DO NOT USE CIRCUIT BREAKERS WITH THIS PRODUCT!

1. Using the mounting diagram, mark off the mounting holes and "cut-out" area onto the mounting surface.

- Using a .250 drill bit, drill the mounting holes then carefully cut and remove the area of the mounting surface as shown. Do not remove the mounting surface where the mounting holes are drilled.
- Insert the supplied grommets into the mounting holes.
- Route the cable through the wiring hole to the power supply. (Be sure that both ring terminals are grounded to the vehicle.)
- Position the Lighthouse components onto the mounting surface and secure them to the vehicle using the four #6 x 1 1/2" phillips pan head screws.
- Plug the cable into your power supply and test the operation of the lighthouse.

IMPORTANT! Before returning this vehicle to active service, visually confirm the proper operation of this product, as well as all vehicle components/equipment.

QTY	ITEM	PART NUMBER	DESCRIPTION
*	*	01-0683710-__	MODEL 700 LINEAR STROBE
4	1	15-061416-240	#6 X 1 1/2" PHIL PAN HD SMS
A/R	2	68-3183573-1S	LENS / AMBER with SEAL
A/R	3	68-3183573-2S	LENS / BLUE with SEAL
A/R	4	68-3183573-3S	LENS / CLEAR with SEAL
A/R	5	68-3183573-4S	LENS / GREEN with SEAL
A/R	6	68-3183573-5S	LENS / RED with SEAL
A/R	7	68-3183573E5S	LENS / KKKE-SPEC RED with SEAL
A/R	8	02-0363418__S	LENS / SPLIT with SEAL
A/R	9	02-0362641-00	700 LINEAR REFLECTOR ASSY
A/R	10	02-0362641-01	700 LIN REFLECTOR / WATERPROOF
1	11	38-0463342-00	GASKET / 700 SERIES
1	12	10-0320776-00	MADE IN THE USA FLAG LABEL
1	13	10-0522891-02	LABEL / 700 LINEAR FINAL ASSY
A/R	14	01-0440624-15	CABLE ASSY with KIT
A/R	15	01-0442199-15	KIT / CABLE ASSY / WATERPROOF
4	16	21-1708080603	SCREW GROMMET / ROUND HOLE

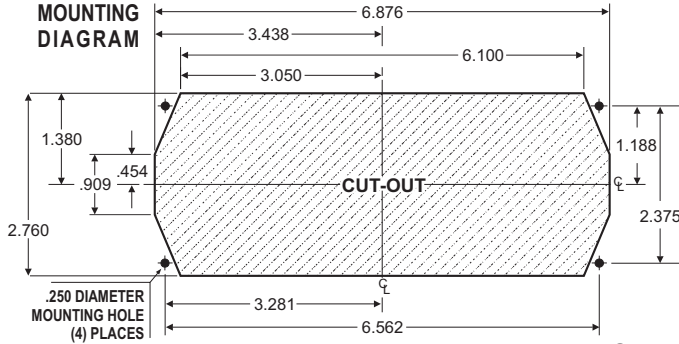
COLOR: A = AMBER
R = RED C = CLEAR
B = BLUE + = SPLIT
G = GREEN 5 = KKKE-SPEC
RED

PART NUMBER KEY:
BASIC P/N COLOR CONNECTOR & CABLE REQ.

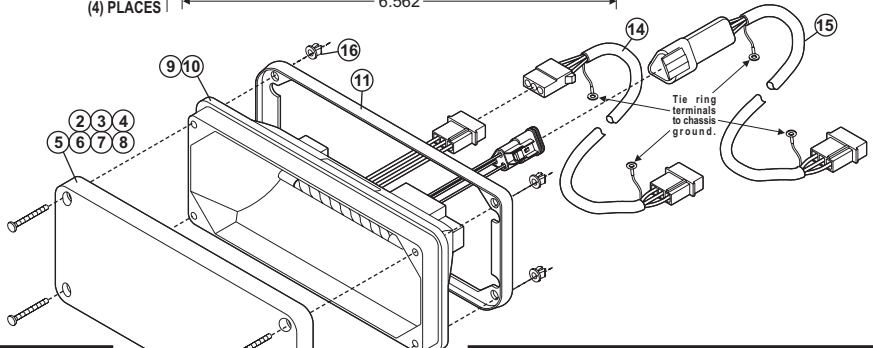
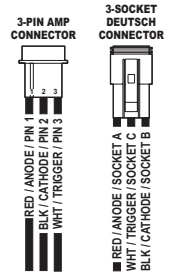
01-0683710-

CONNECTOR-CABLE REQUIRED:
0 = AMP CONN. Without CABLE 2 = DEUTSCH CONN. Without CABLE
1 = AMP CONN. With CABLE 3 = DEUTSCH CONN. With CABLE

MOUNTING DIAGRAM



WIRING



Available Housings for the 700 Series Strobe

