

NEW PRODUCT!

Pioneer™ Series (patent pending) SUPER-LED® FLOODLIGHT



Officially Licensed Warning
Lights Of NASCAR®



All the performance and reliability benefits of LED technology in a 5000 Lumen lighthouse.

FEATURES

- Surface mount solid-state electronics and LEDs are rugged and reliable, eliminating the high cost of lamp or ballast replacement.
- LEDs are instant On/Off eliminating ramp up time to achieve full intensity.
- No high current in-rush like high-intensity discharge (HID) and other light sources.
- Pioneer provides long life LED operation with low, current consumption and low operating temperature.
- Draws 6 amps @ 12.8 VDC.
- Flashing and "wig-wag" capable for "Clearing Right of Way" mode. External flasher required. Use Model PFLASH.
- Rugged powder coated extruded aluminum housing with vehicle specific mounting brackets.
- Brow mounting and bail bracket mounts are adjustable up to 15°, semi-recessed mount is 0° or 15° for maximum light effectiveness.
- No ultra violet light that attracts insects during night-time operation.
- HDP® Heavy-Duty Professional five-year warranty.

MODEL

PFA2: Floodlight, 2 panel

OPTIONSv

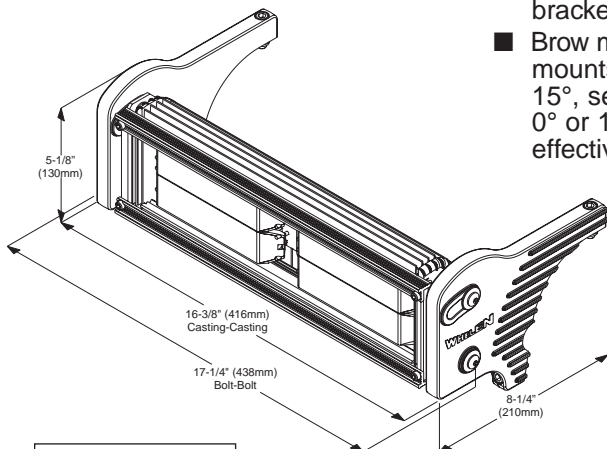
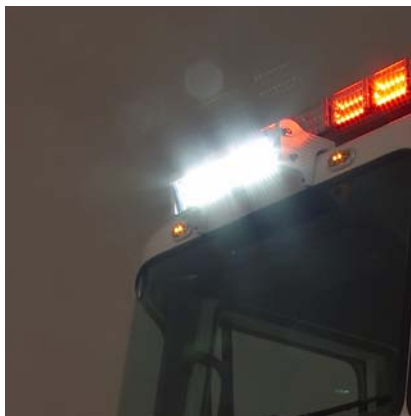
PBA0127: Brow mounting kit only for 2.75" radius

PBA0130: 3" radius brackets

PBA206: Universal Bail bracket

PBA203: Semi-recessed mount

PFLASH: Pioneer specific LED flasher with 16 patterns including Phase 1, 2 and 3



Form# PS01008



All Whelen Products
are proudly designed
and manufactured
in the U.S.A.

WHELEN®
ENGINEERING COMPANY, INC.

51 Winthrop Road
Chester, CT 06412-0684
(860) 526-9504 • Fax (860) 526-4078
www.whelen.com

Engineers for the Emergency Warning Industry

© 2008 Whelen Engineering Co., Inc. Printed in U.S.A.
Whelen Engineering Inc. reserves the right to upgrade and improve products without notice.
NASCAR® is a registered trademark of the National Association for Stock Car Auto Racing, Inc.
Circle No. 12175A-0708

Pioneer™ Series Super-LED Floodlight