

WHELEN[®]

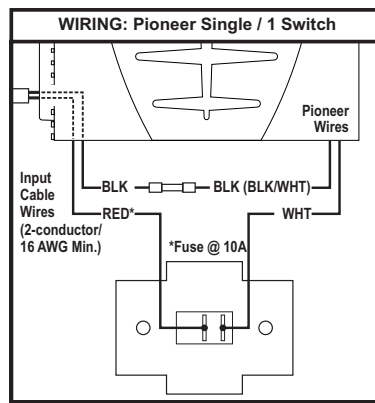
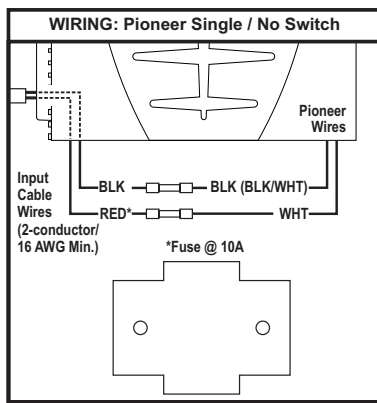
ENGINEERING COMPANY INC.

51 Winthrop Road
 Chester, Connecticut 06412-0684
 Phone: (860) 526-9504
 Internet: www.whelen.com
 Sales e-mail: autosale@whelen.com
 Customer Service e-mail: custserv@whelen.com

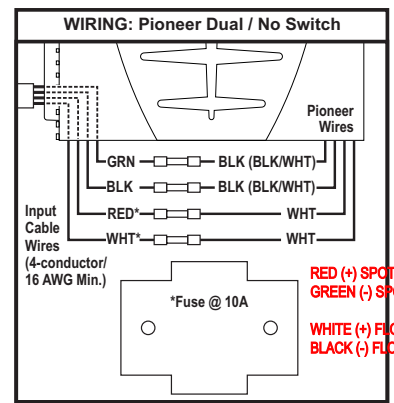
Installation Guide: Pole Mounted Knuckle Assembly Pioneer™ (Single & Dual) 12VDC/24VDC

⚠ WARNING: This product can expose you to chemicals including Methylene Chloride which is known to the State of California to cause cancer, and Bisphenol A, which is known to the State of California to cause birth defects or other reproductive harm. For more information go to www.P65Warnings.ca.gov.

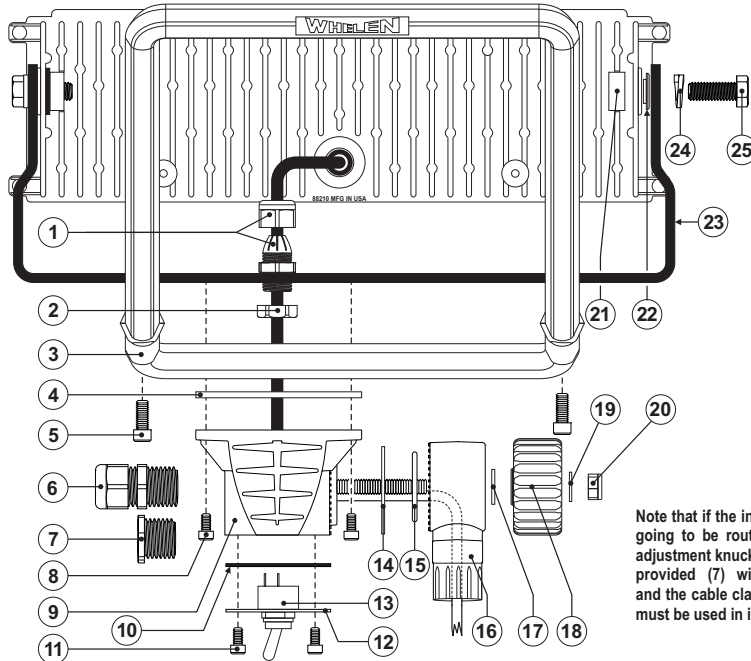
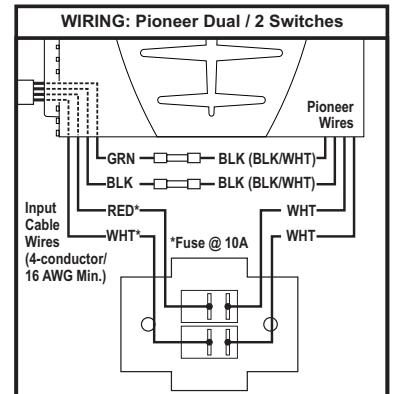
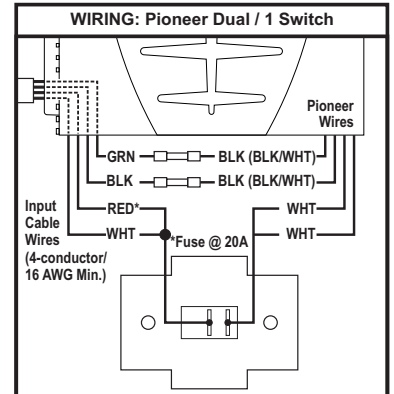
The following will illustrate the assembly of the Pioneer™ knuckle mount. It will also provide the basic wiring required for both the Single and Dual Pioneer™. Please refer to your Pole Mount Guide for final mounting procedures.



62749-251 PCH2PB



RED (+) SPOT LIGHT
 GREEN (-) SPOTLIGHT
 WHITE (+) FLOOD LIGHT
 BLACK (-) FLOOD LIGHT



Note that if the input cable is not going to be routed through the adjustment knuckle (16), the plug provided (7) will be removed and the cable clamp provided (6) must be used in its place.

- | | | | | |
|--------------------|-------------------|-------------------|------------------|------------------|
| ① Cable Clamp | ⑥ Cable Clamp | ⑪ 10-24x3/8 Screw | ⑬ Adj. Knuckle | ⑲ Square Nut |
| ② Cable Clamp Nut | ⑦ Plug | ⑫ Switch Plate | ⑰ Nylon Washer | ⑳ Spacer |
| ③ Handle | ⑧ 10-24x1/2 Screw | ⑬ Switch | ⑱ Adj. Knob | ㉓ Bail Bracket |
| ④ Gasket | ⑨ Switch Box | ⑭ Nylon Washer | ⑲ Flat Washer | ㉔ Lock Washer |
| ⑤ 1/4-20x3/4 Screw | ⑩ Gasket | ⑮ O-Ring | ⑳ Nylon Lock Nut | ㉕ Hex Head Screw |

Automotive: Lighthoods