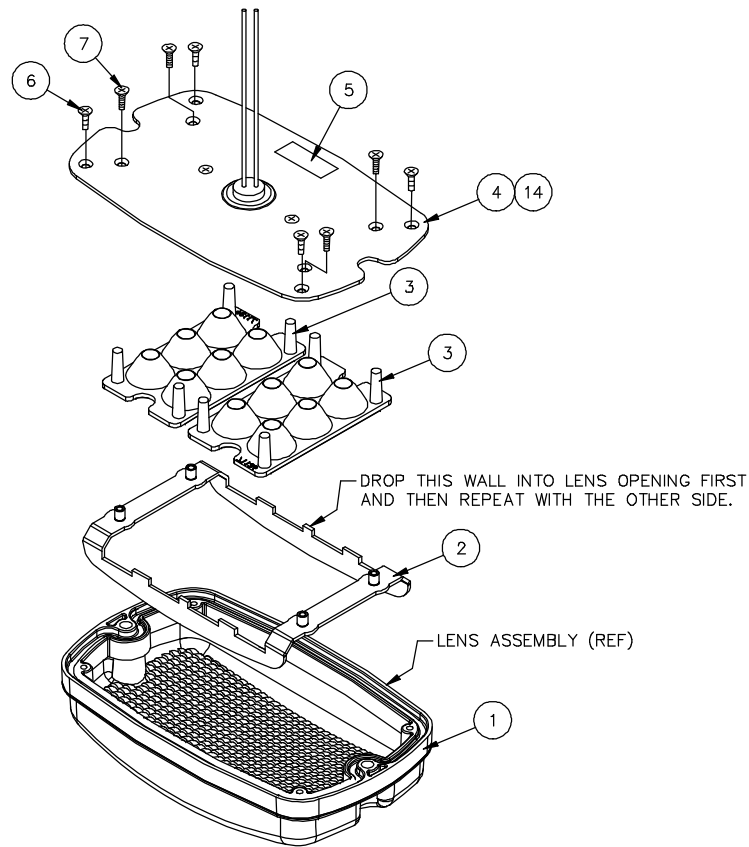
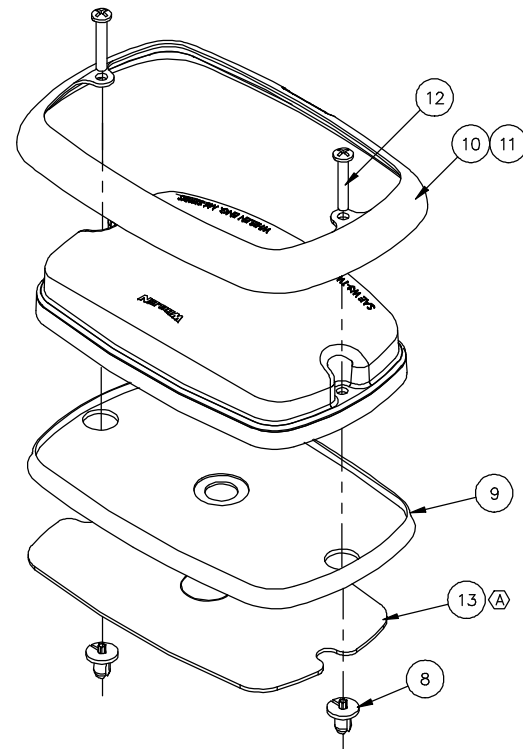
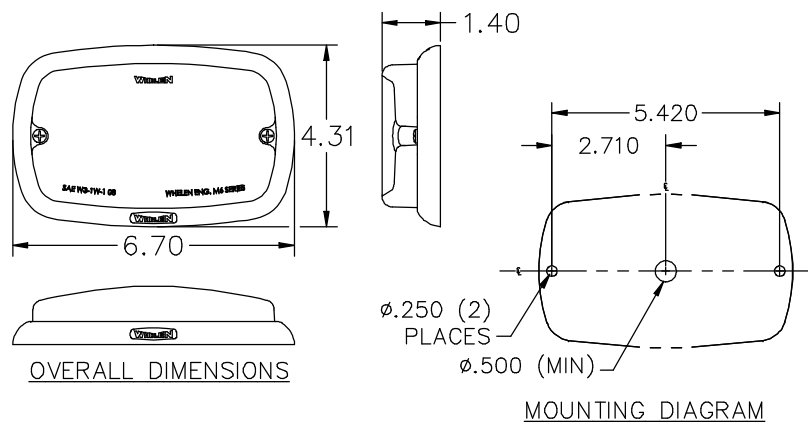


REV	ECN	DESCRIPTION	DATE
A	37610	ADDED DIE CUT GASKET	1-28-09



1	-	14	01-026B196-01	SUB ASSY, ELECT M6 SCENE 12 LED 24V
1	1	13	38-0143749-00	GASKET, DIE CUT M6
2	2	12	15-081416-160	SCREW, #8 X 1" PPHMS
OPT	OPT	11	11-76A665-003	FLANGE, M6 CHROME
OPT	OPT	10	11-76A665-000	FLANGE, M6 BLACK
1	1	9	38-046A696-00	GASKET
2	2	8	21-1708080603	GROMMET, #8 SCREW ROUND HOLE
4	4	7	14-040116-060	SCREW, #4-40 X 3/8 PFHMS
4	4	6	15-045216-060	SCREW, #4 X 3/8 PFH PLASTI-LOC SS
1	1	5	10-0523466-**	LABEL, M/N & P/N
-	1	4	01-026B196-00	SUB ASSY, ELECT M6 SCENE 12 LED
2	2	3	68-5971136-00	REFLECTOR, CLEAR OPTIC TIR 2X3
1	1	2	07-243739-000	BRACKET, LENS MOUNT M6 SCENE
1	1	1	02-036B171-Z0	SUB ASSY, REFLECTOR/LENS M6 (SCENE)
*			01-066B197-01	ASSEMBLY, LIGHTHEAD M6 SCENE 12 LED 24V
*			01-066B197-00	ASSEMBLY, LIGHTHEAD M6 SCENE 12 LED
QTY.	QTY.	ITEM	PART NUMBER	DESCRIPTION

THIS DRAWING IS PROPRIETARY TO THE WHELEN ENG. CO. INC. ANY REPRODUCTION, DISCLOSURE OR USE OF THIS DRAWING WITHOUT WRITTEN AUTHORIZATION FROM WHELEN ENG. CO. INC. IS PROHIBITED

WHELEN 51 WINTHROP ROAD
CHESTER, CT 06412-0684
ENGINEERING COMPANY INC. TELEPHONE (860)526-9504

MATERIAL		FINISH		SCALE		DATE		RELEASE DATE	
				NONE		9/23/08		10/14/08	
TOLERANCE: UNLESS OTHERWISE SPECIFIED		DR. WFG		SCALE		DATE		RELEASE DATE	
ANGLES ±1/2"		CH. SJP		NONE		9/23/08		10/14/08	
.XX = ±.020		ENG. WFG		DWG. NO.		REV		ISSUE	
.XXX = ±.010		APP. GEM		6B197		A		2	
© 2008 WHELEN ENG. CO. INC. CAGE CODE 10402								SHEET OF	
								2 2	