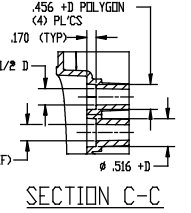
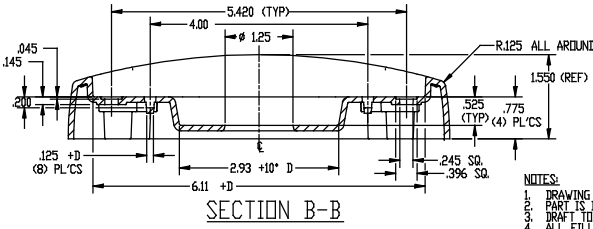
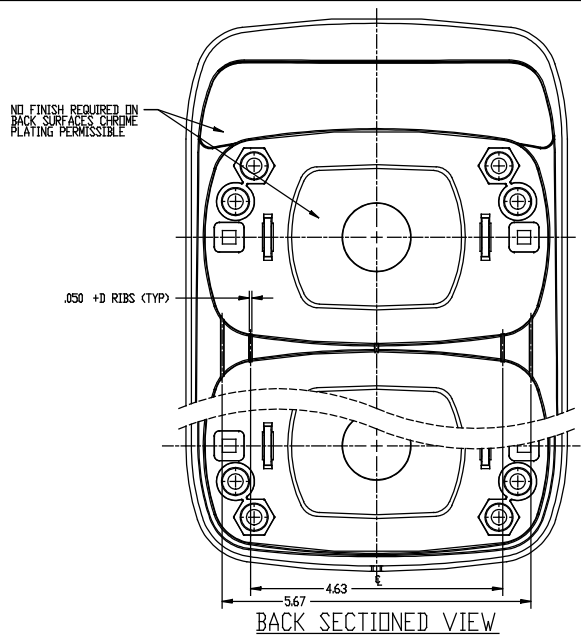
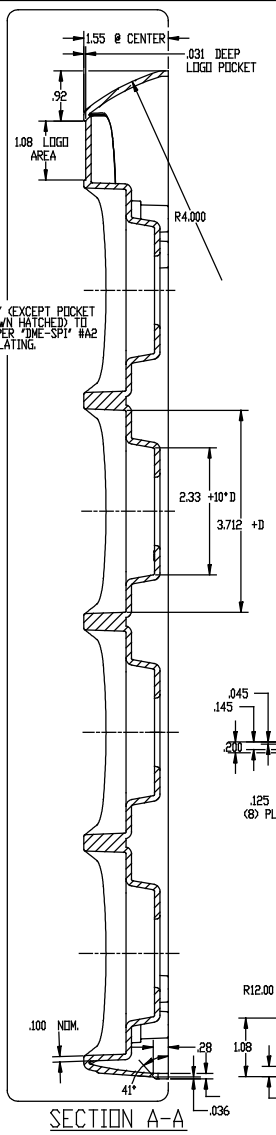
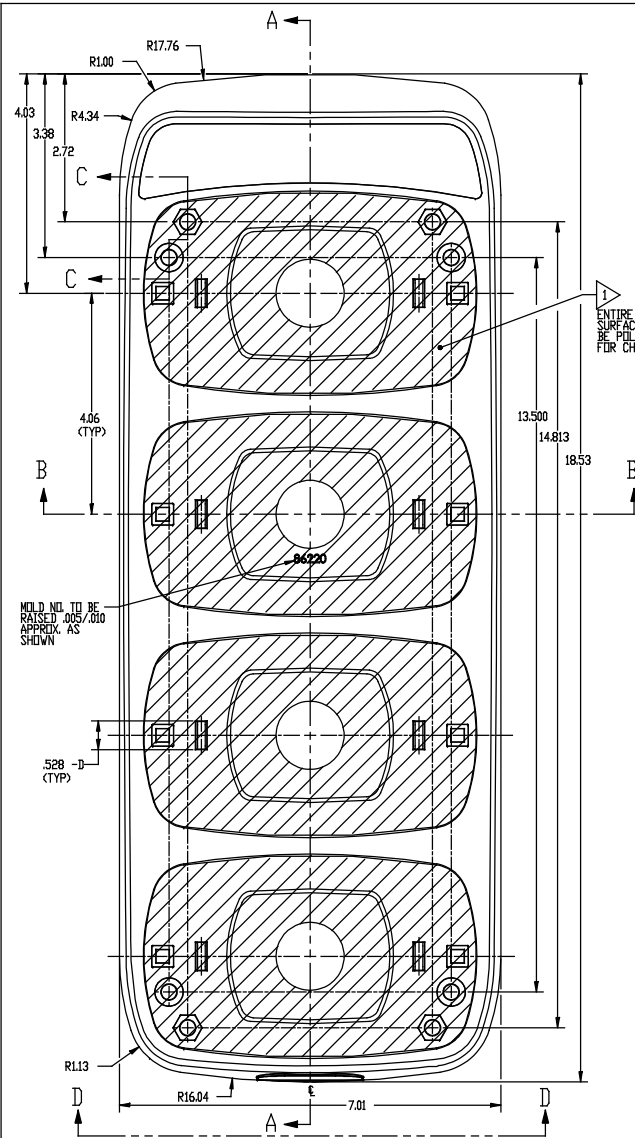
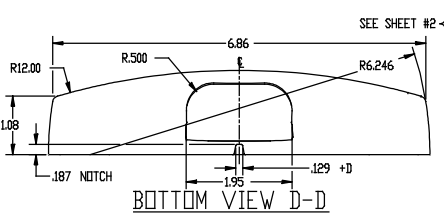


REV	ECN	DESCRIPTION	DATE
A	38418	CHANGE SCREW IN KIT	8/4/09
B	38644	CHG KIT TO BLANK HSD	1-12-10
C	39719	CHG KIT HARDWARE	1-28-10
D	40830	CHG RAW TO GREY	8-22-10



- NOTES:
- DRAWING WAS CREATED FROM A "SOLIDWORKS" 3D FILE.
 - PART IS DRAWN FULL SIZE WHEN PRINTED IN A "D" SIZE FORMAT. DRAFT TO BE 2" UNLESS OTHERWISE SPECIFIED.
 - ALL FILLETS AND RADIUS TO BE .850 UNLESS OTHERWISE SPECIFIED.
 - SEE 3D FILE FOR GEOMETRY NOT SHOWN.
 - CHROME PLATE PER "GENERAL MOTORS" SPEC. #GM4372M.

QTY	ITEM	PART NUMBER	DESCRIPTION
-	-	11-486220-023	HOUSING/ WITH "PIERCE" LOGO (CHROME PLATED)
-	-	11-486220-020	HOUSING/ WITH "PIERCE" LOGO (AS MILD)
-	-	11-486220-013	HOUSING/ WITH "WHELEN" LOGO (CHROME PLATED)
-	-	11-486220-010	HOUSING/ WITH "WHELEN" LOGO (AS MILD)
-	-	11-486220-003	HOUSING/ WITH NO LOGO (CHROME PLATED)
-	-	11-486220-000	HOUSING/ WITH NO LOGO (AS MILD)



THIS DRAWING IS PROPRIETARY TO THE WHELEN DIV. CO. INC. ANY REPRODUCTION, DISCLOSURE OR USE OF THIS DRAWING WITHOUT WRITTEN AUTHORIZATION FROM WHELEN DIV. CO. IS PROHIBITED.

WHELEN DIV. CO. INC. CHESTER, CT 06413-0884 (603)258-1000

MATERIAL: ABS CYCLAC M307EP (GREY) OR APPROVED EQUIV.

DATE: 2/3/09

SCALE: NINE

REV: 1

ISSUE: 3/11/09

DRW NO: 86220

DRW DATE: 8/22/10

DRW BY: GEM

DRW CHECK: GEM

DRW APPROVED: GEM

DRW DATE: 8/22/10

DRW BY: GEM

DRW CHECK: GEM

DRW APPROVED: GEM

DRW DATE: 8/22/10

DRW BY: GEM

DRW CHECK: GEM

DRW APPROVED: GEM

HOLD NO. TO BE RAISED .005/.010 APPROX. AS SHOWN

ENTIRE CAVITY (EXCEPT POCKET SURFACES SHOWN HATCHED) TO BE POLISHED PER "DME-SPI" #A2 FOR CHROME PLATING.

SEE SHEET #2