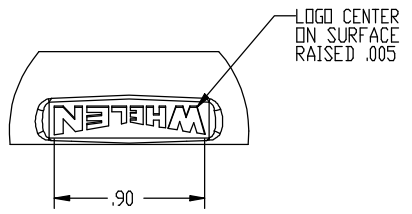
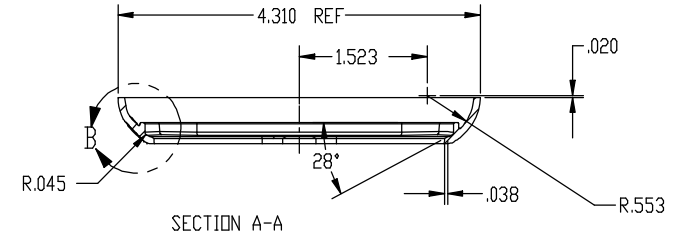
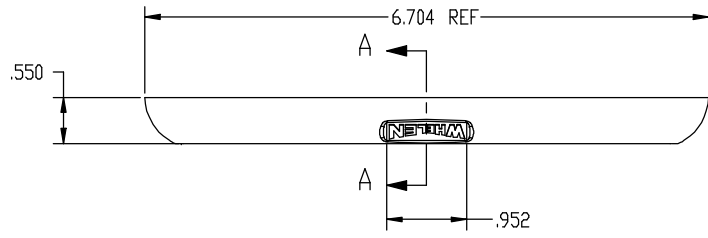
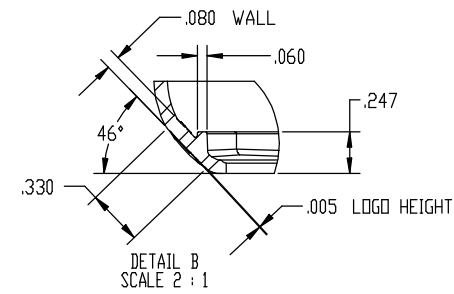
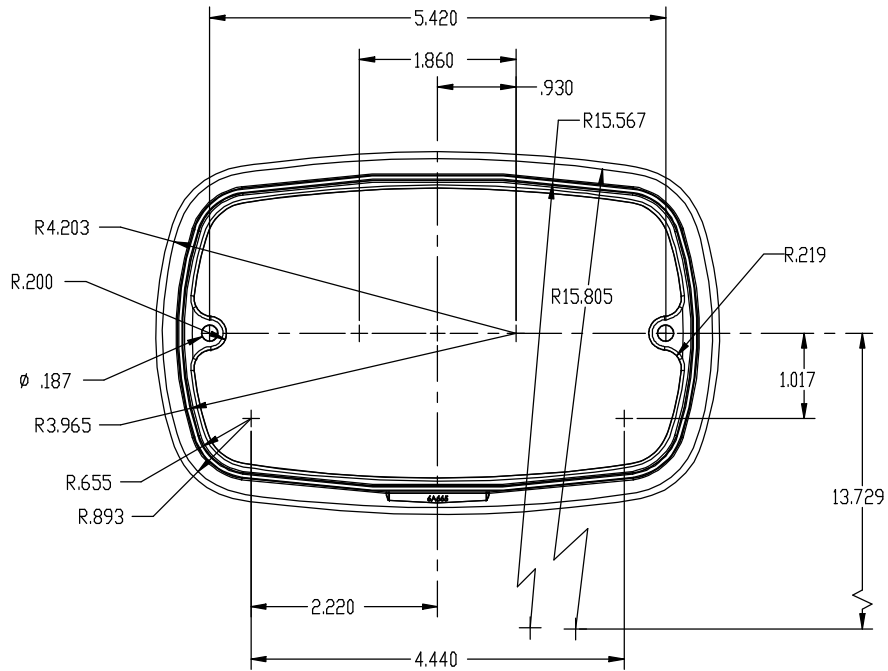


REV	ECN	DESCRIPTION	DATE



NOTE:
 1.) VIEWS ARE FULL SCALE ON "C" FORMAT.
 2.) SolidWorks 3D SUPPORTS THIS 2D DRAWING.
 3.) CHROME PLATE PER GENERAL MOTORS SPEC. #GM4372M

1.	11-76A665-003	FLANGE, M6 LED REFLECTOR CHROME		
	11-76A665-000	FLANGE, M6 LED REFLECTOR		
QTY.	ITEM	PART NUMBER	DESCRIPTION	
THIS DRAWING IS PROPRIETARY TO THE WHELEN ENG. CO. INC. ANY REPRODUCTION, DISCLOSURE OR USE OF THIS DRAWING WITHOUT WRITTEN AUTHORIZATION FROM WHELEN ENG. CO. INC. IS PROHIBITED.		WHELEN ® ROUTE 145 CHESTER, CT 06412-0684 ENGINEERING COMPANY INC. TELEPHONE (860)526-9504		
MATERIAL		FLANGE, M6 REFLECTOR		
LUSTRAN PG298-36793 OR APPROVED EQUIVALENT COLOR: BLACK				
FINISH		EXTERIOR D-M-E S.P.I. #A2		
TOLERANCE: UNLESS OTHERWISE SPECIFIED		DR. KMS	SCALE	DATE
ANGLES ±1/2° .XX = +/- .020		CH. PJT	NOTED	2/18/08
.XXX = +/- .010		ENG. PJT	DWG NO.	REV
		APP. GEM	6A665	ISSUE
© 2008 WHELEN ENG. CO. INC. CAGE CODE 10402				SHEET
				OF
				1