

# 6" Round

## LOW PROFILE, SURFACE MOUNT SUPER-LED® INTERIOR LIGHT

**Bright, evenly distributed lighting for your ambulance or fire truck cab, interior and compartments. Eighteen diode model for interior of ambulances Flush mounted lighthouse. No hole cutouts.**

Whelen patient compartment lights simulate natural daylight for more accurate patient evaluation, truer flesh tones. Interior lights provide bright, even illumination using high performance, trouble-free Super-LEDs. All are virtually flush mounted to fit in tight spaces, and offer split color Red/White or Blue/White plus high or low intensity for proper visibility as needed.

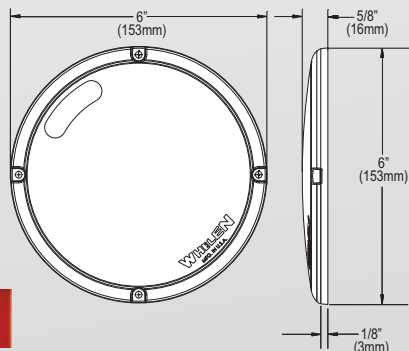
### FEATURES

- Low profile surface mount.
- Model 60\*EHCR offers High/Low intensity operating mode.
- Eighteen diode models with High/Low are designed as an alternative to existing 8" compartment lights.
- Ideal for cab and interior lighting, 12-diode models are available in split White/Red and White/Blue.
- Dual color versions have two surface mounted switches on the lens face for On/Off White and On/Off color.
- Dual color models have a dedicated enable wire for each color source (ground activated) through a customer supplied switch.
- Certified for NFPA 1901 and NFPA 1917 primary or alternative spec when properly configured.
- 12 or 24 VDC.
- Five Year HDP® Heavy-Duty Professional warranty.



### MODELS

Models	Including Switches	Color	No. of Diodes	Volt	Amps		Lumens		Kelvin Color Level
					High	Low	High	Low	
60C0EHCR	No	White	18	12	1.2	.13	1000	80	4000
60U0EHCR				24	.62	.07			
60C0EJCS	Yes	White	6	12	.70	-	400 / White	-	-
60CREGCS	Yes	Split Red/White	12	12	.70 White	.50 Red	400 / White	300 / Red	-
60UWEGCS				24	.35 White	.25 Red			
60CBEGCS	Yes	Split Blue/White	12	12	.70 White	.50 Blue	400 / White	200 / Blue	-
60UTEGCS				24	.35 White	.25 Blue			



Whelen Engineering reserves the right to upgrade and improve products without notice.  
 © 2012 Whelen Engineering Company, Inc. Printed in U.S.A.  
 NASCAR® is a registered trademark of the National Association for Stock Car Auto Racing, Inc.  
 Code No. 12494B - 10/12



Follow us on

**WHELEN®**  
 ENGINEERING COMPANY, INC.

51 Winthrop Road  
 Chester, Connecticut 06412-0684  
 (860) 526-9504 • Fax: (860) 526-4078  
 www.whelen.com