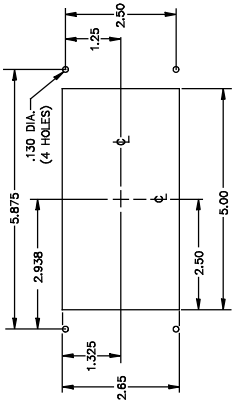
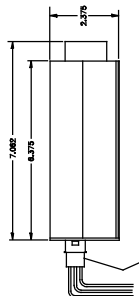


REV	ECN	DESCRIPTION	DATE
A	326884	REMOVED ITEM 4	5/17/08
B	521335	CHANGE ITEM 3	08/20/18

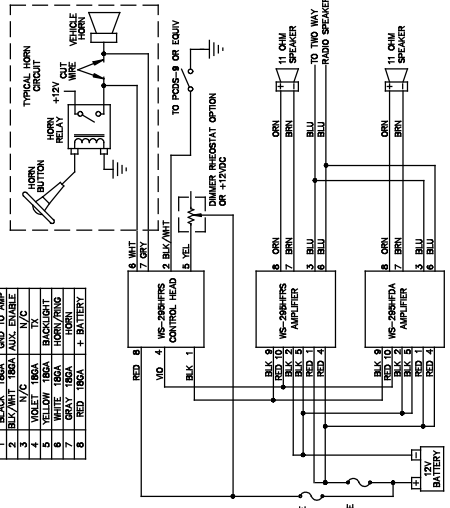


SUGGESTED MOUNTING CUTOUT
CONTROL HEAD



SUGGESTED MOUNTING
AMPLIFIERS

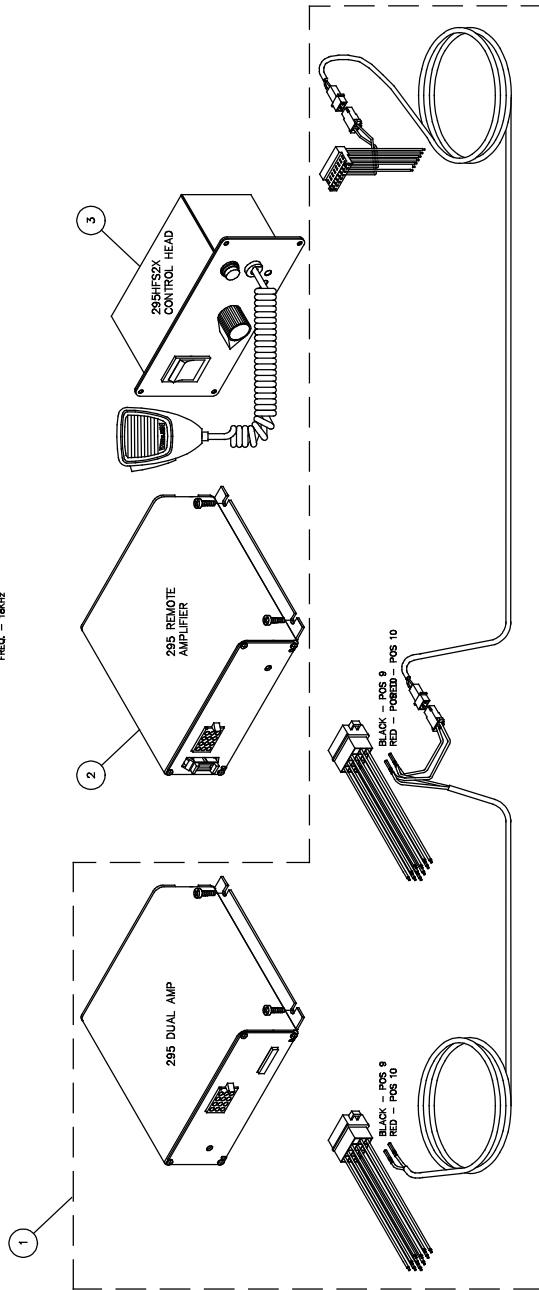
PIN #	COLOR & GAUGE	FUNCTION
1	BLACK 18GA	END TO AMP
2	BLACK 18GA	POS. 9
3	BLACK 18GA	POS. 10
4	N/C	N/A
5	RED 18GA	VEHICLE HORN
6	RED 18GA	VEHICLE HORN
7	RED 18GA	VEHICLE HORN
8	RED 18GA	BATTERY



WIRING DIAGRAM
NOTE: TO GROUND OF AMPLIFIER (PINS 2 & 5)

- SPECIFICATIONS**
- INPUT VOLTAGE @ 12VDC @ 0.5 OHMS --- 12.5 VDC ±20%
 - INPUT CURRENT @ 12VDC @ 0.5 OHMS --- 1.0 AMP MAX.
 - SPEAKER IMPEDANCE --- 16 OHMS MIN. @ 1000 Hz
 - STORAGE TEMPERATURE --- -20° C. TO +70° C.
 - HUMIDITY --- 95% (NON-CONDENSING)
- TONES**
- SWEEP RATE --- 100 TO 1000 Hz
 - THIRD TONE --- 800 TO 1000 Hz
 - OUTPUT POWER @ 12VDC @ 0.5 OHMS --- 300 WATTS MAX.
 - OUTPUT VOLTAGE @ 12VDC @ 0.5 OHMS --- 34V RMS MAX.
 - OUTPUT CURRENT @ 12VDC @ 0.5 OHMS --- 10A RMS MAX.
- AUDIO (SINE WAVE)**
- DISTORTION @ 1000 Hz --- 10% TO 100%
 - OUTPUT VOLTAGE @ 1000 Hz --- 24 V RMS MAX.
 - OUTPUT CURRENT @ 1000 Hz --- 1.0A RMS MAX.
 - RADIO INPUT LEVEL @ 1000 Hz --- 1.0mV MAX.
 - FREQ. --- 160Hz

WARNING
*ALL CUSTOMER SUPPLIED WIRES THAT CONNECT TO THE POSITIVE TERMINAL OF THE BATTERY MUST BE SECURED TO SUPPLY AT LEAST 125% OF THE MAXIMUM OPERATING CURRENT, AND FUSED *AT THE BATTERY TO CARRY THAT LOAD.*



QTY	ITEM	PART NUMBER	DESCRIPTION
1	3	01-0862064-04	295HFS2X 12V CALIFORNIA REMOTE HEAD
1	2	01-0864492-02	295HFS (CAL) 12V REMOTE AMPLIFIER ASSY
1	1	01-0484434-02	KIT, HFSDA (295COPT)
1	1	01-0864433-00	295HFS2X 12V CALIFORNIA ASSEMBLY

THIS DRAWING IS APPROVED AS TO THE DESIGN AND CONSTRUCTION BY THE DESIGNER'S SIGNATURE AND DATE.
WILSON
 ENGINEERING COMPANY INC. TELEPHONE (909)297-8004
 1000 WILSON DRIVE, WESTERN DIV. CO. 9, IRVINE, CALIF. 92714
FINAL ASSEMBLY
 295HFS2X
 CALIFORNIA
 DRAWN BY: 0412-0084
 CHECKED BY: 0412-0084
 DATE: 10-27-05
 RELEASE DATE: 10-27-05
 SHEET: 1 OF 1
 844333