

# Voyager<sup>®</sup>

Digital Wireless Observation System

# WVOS43

WiSight<sup>®</sup> technology



WVOM43



WVCMS130AP

## FEATURES

- Supports up to four wireless cameras (WVCMS130AP) Voyager cameras simultaneously
- Auto-Pairing capability allows monitor to be paired with any of the (up to) four wireless cameras (WVCMS130AP) with the press of a button
- Strong signal transmits through and around objects up to 60 feet away

## WVOM43 MONITOR

- Bright 4.3" display
- Compact size allows for easy storage in armrest, glovebox or center console when not in use
- Can display visual points of reference indicating your vehicle's distance from objects while backing up
- Built-in speaker
- Suction-cup mount and 12V DC plug power cord included

## WVCMS130AP CAMERA

- CMOS sensor
- 14 IR LEDs for low-light illumination
- Powered through rear light wiring or any other available 12V DC power source

SUPPORTS **4** AT ONCE



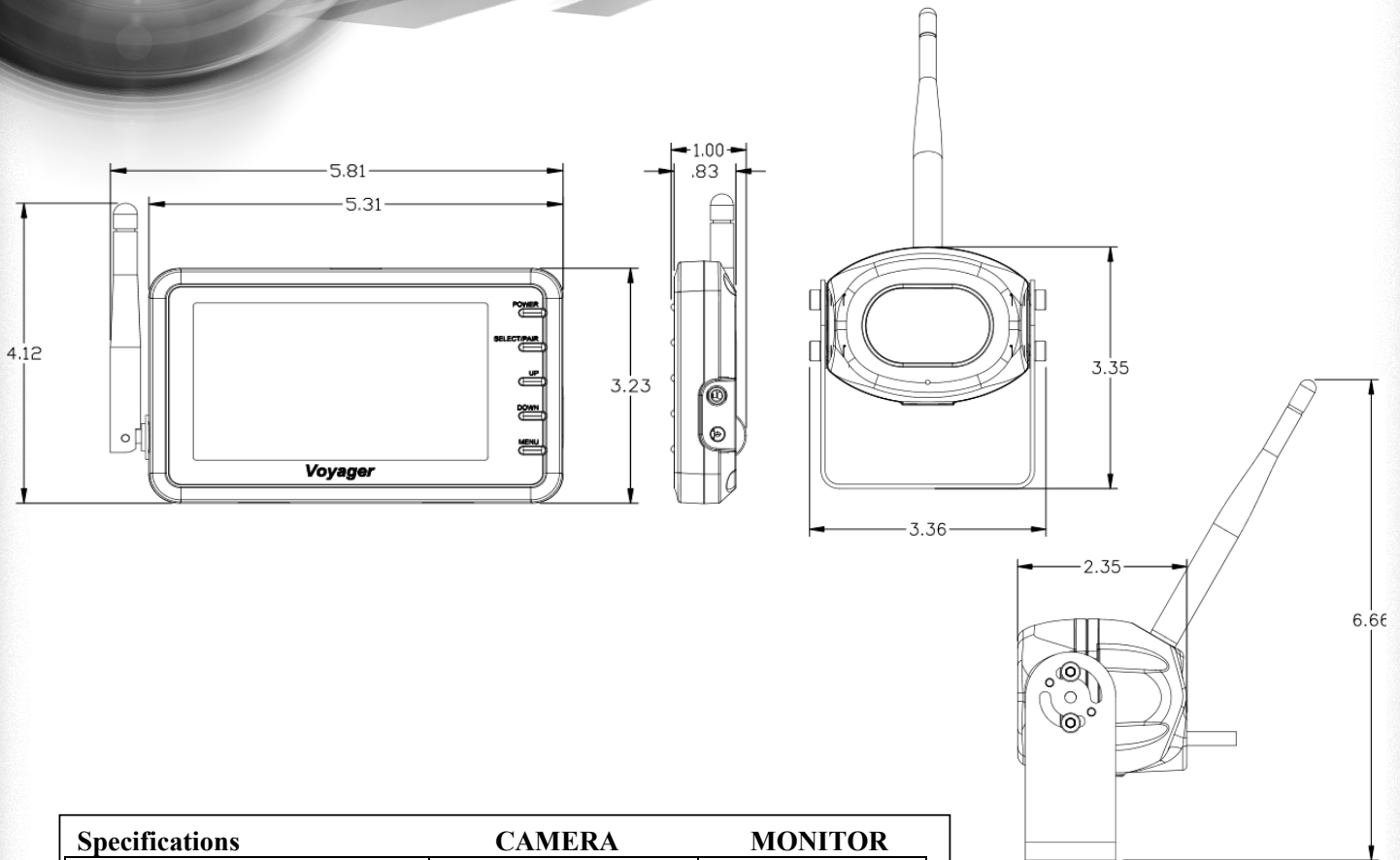
EXPAND your vision<sup>™</sup>

**asa**  
ELECTRONICS  
2602 Marina Drive • Elkhart, IN 46514  
[www.asaelectronics.com](http://www.asaelectronics.com)

# Voyager<sup>®</sup>

Digital Wireless Observation System

# WVOS43



Specifications	CAMERA	MONITOR
Power System	12VDC	12VDC
Operating Voltage Range	10 ~14V	10 ~ 14V
Power Consumption (MAX)	351mA	340mA
Operating Temperature Range	-4°F to 149°F	-4°F to 149°F
Storage Temperature Range	-40°F to 185°F	-40°F to 185°F
Operating Relative Humidity	100%	95%
Waterproof Rating	IPX6	NA
Overall Dimensions	2.35"x3.35"x3.36"	1.0"x 5.8" x 4.1"
Product Weight (unpacked)	12.32 oz	6.5 oz
Video Output Signal Format	NTSC	NTSC
Video Signal Level	1.0V p-p ; 75Ω	1.0V p-p ; 75Ω
Audio	Microphone	1.5 watt
Sensor	1/3" CMOS	NA
Sensitivity	0 Lux	NA
Image Orientation	Mirror (Reversed)	NA
Resolution	520 Lines	480 x 272
View Angles	125°(D) 94°(H) 68°(V)	140°(H) 120°(V)
Brightness	NA	500 nit
Contrast Ratio	NA	500:1
Response Time	NA	10ms(ON) 15ms(OFF)
Display Format	NA	16:9

Features and specifications subject to change without notice.