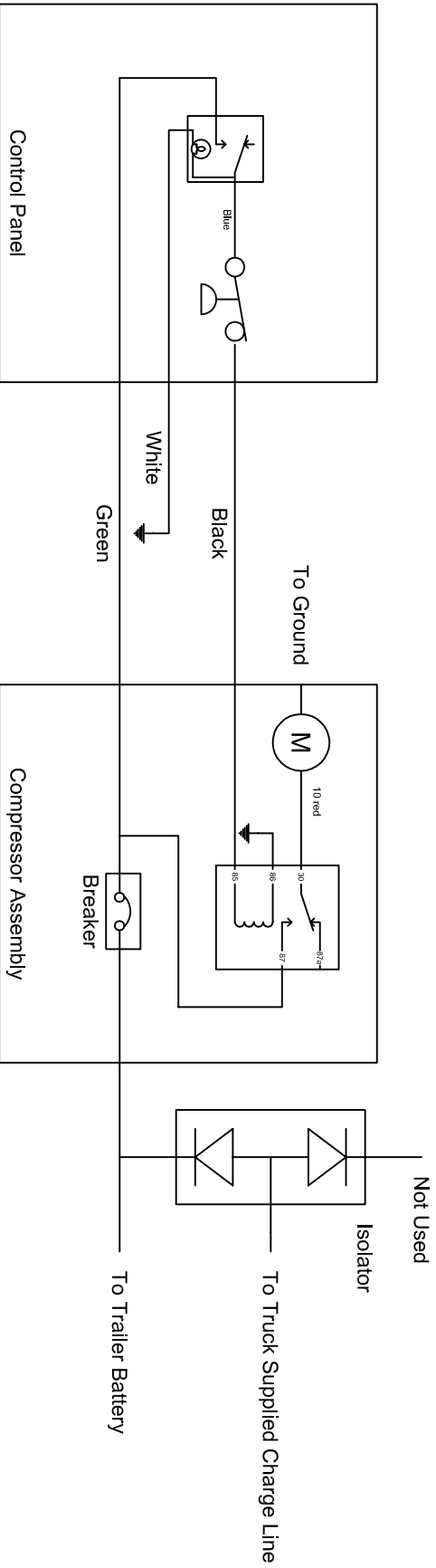



## Auto Run

**Control Panel Circuit Theory.**  
 Compressor motor is always powered from trailer battery.  
 Stand alone operation uses isolated (1N4001) 12 volts from disconnect switch.  
 Towed operation uses isolated (battery isolator) 12 volts from truck charge line directly connected to pressure switch.



## Normal Hookup

This drawing and its contents are the property of Renegade / Kibbi LLC and are not to be copied or reprinted without written consent

|      |                      |    |      |   |                         |                 |  |              |
|------|----------------------|----|------|---|-------------------------|-----------------|--|--------------|
| LET. | REVISION DESCRIPTION | BY | DATE |  | DRAWN BY: mike          | MODEL: various  | DRAWING DESCRIPTION: Timbren Compressor Wiring Diagram | PAGE 1 OF 1  |
|      |                      |    |      |   | DATE: 2/4/16            | SCALE: NO SCALE | SERIES: Trailer  | CUSTOMER: -- |
|      |                      |    |      |   |                         |                 |  |              |
|      |                      |    |      |   |                         |                 |  |              |
|      |                      |    |      |   |                         |                 |  |              |
|      |                      |    |      |   | FILE LOC & FILE NUMBER: |                 |  |              |