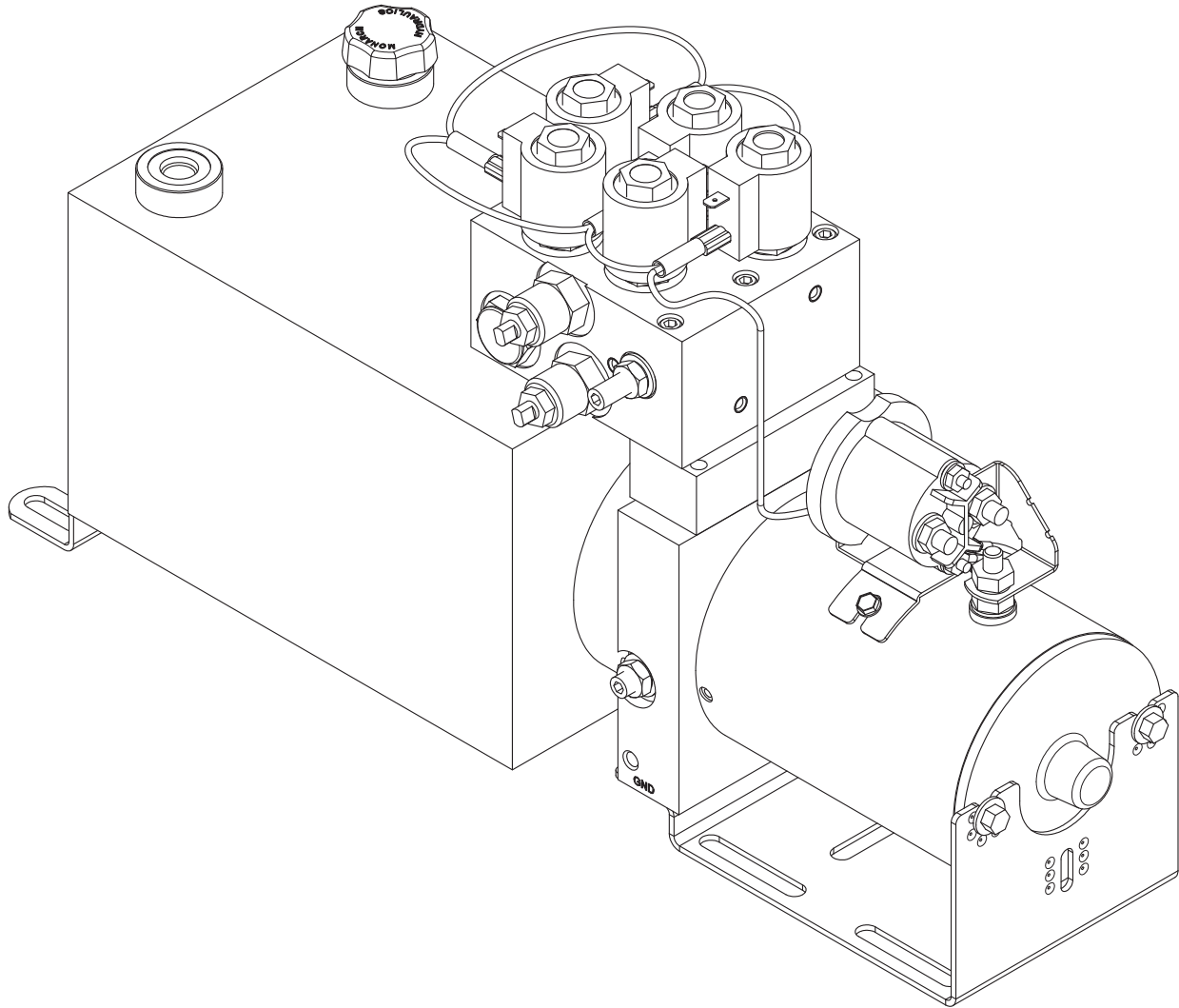


# Pump Parts List



**THIEMAN**  
TAILGATES, INC.

600 East Wayne Street  
Celina, Ohio 45822  
Phone: 419-586-7727 Fax: 419-586-9724

# TABLE OF CONTENTS

## ACTIVE POWER UNITS

4400241 .....	3
4400321 .....	4
4400351 .....	5
4400421 .....	6
4400871 .....	7
4400901 .....	8
4404 .....	9
4411 .....	10
4440 .....	11
4441 .....	12
4442 .....	11
4443 .....	12
4463 .....	17
4465 .....	17
4466 .....	13
4469 .....	14
4472 .....	11
4473 .....	15
4474 .....	16
4475 .....	11
4476 .....	17
4498 .....	5
4499 .....	9

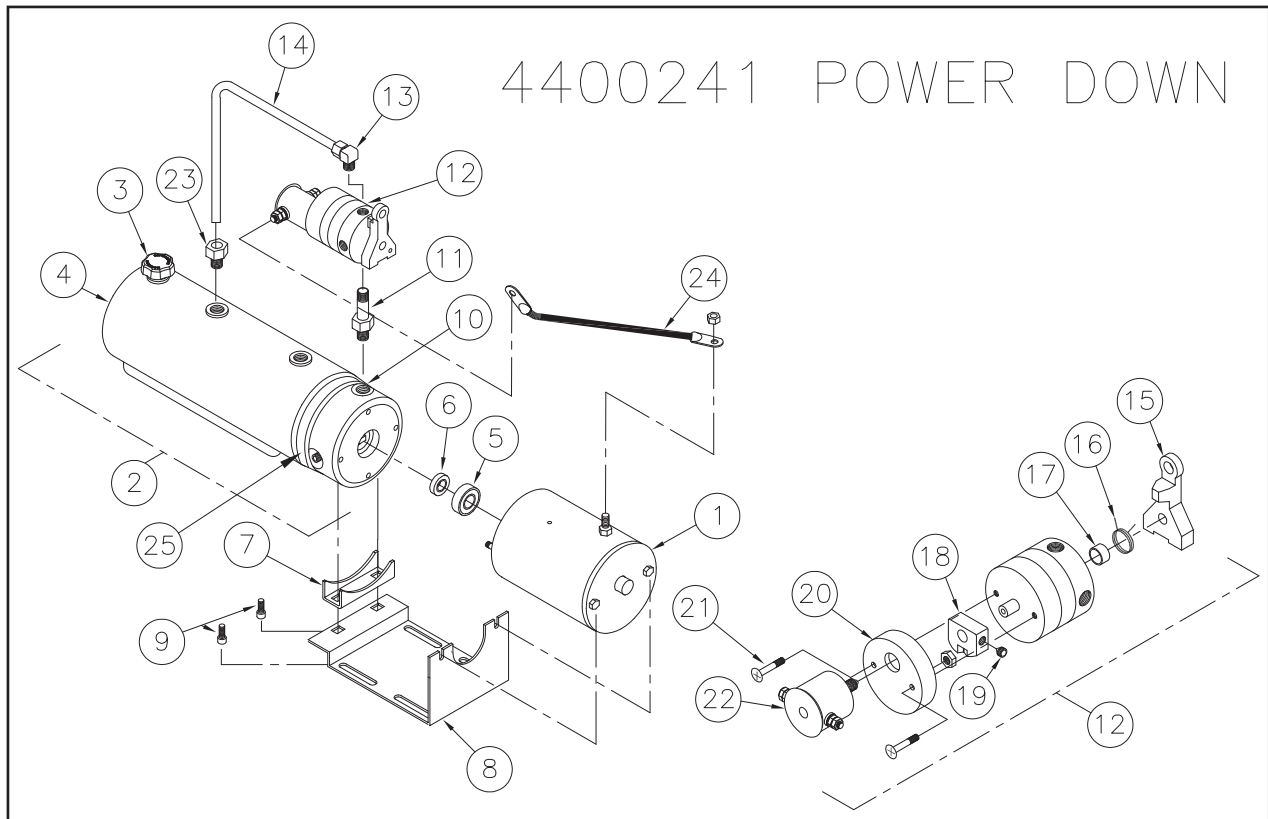
## SERVICE ONLY POWER UNITS

4400091 .....	18
4400701 .....	19
4400841 .....	20
4400851 .....	19

### 4400241 PUMP ASSEMBLY

Item	Part Number	Description	Qty./Model
1	4423520	Motor 8111	1
2	4400249	Pump and Reservoir Only	1
3	4420409	Breather Cap	1
*4	4405	Reservoir $\varnothing$ 4.50 x 13	1
5	4421520	Bearing	1
6	4421530	Seal	1
7	4421350	Bracket	1
8	4421420	Bracket	1
9	8109-009	Screw .25 x 1.38	2
10	4421600	O-Ring	1
11	4421610	Adapter	1
12	4453	Valve Asm	1
13	4423670	Elbow	1
*14	4425	Tube	1
15	4420053	Handle	1
16	4420060	Spring	1
17	4420040	Bushing	1
18	4421	Cam	1
19	8104-009	Set Screw	1
20	4423	Cover	1
21	4422390	Screw	2
22	4322	Start Switch	1
23	4426	Fitting	1
24	4428	Cable	1
*25	4488-001	Hose Clamp	1

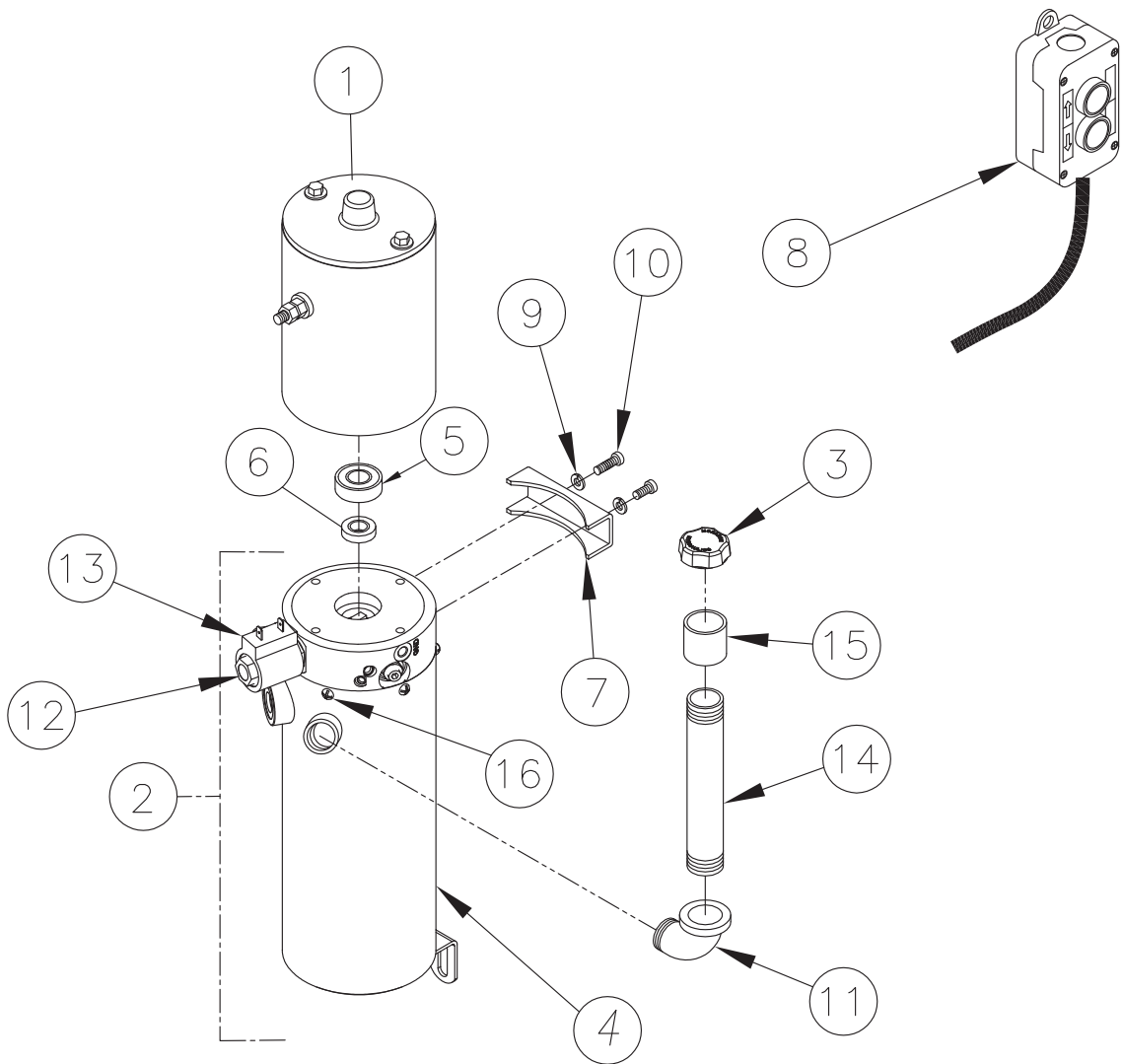
\*Note: Steel reservoirs are not stocked for service. Use item 4 poly reservoir with item 14 tube and item 25 hose clamp.



### 4400321 PUMP ASSEMBLY

Item	Part Number	Description	Qty./Model
1	4423520	Motor 8111	1
2	4400329	Pump and Reservoir Only	1
3	4420410	Breather Cap	1
4	4422330	Reservoir $\varnothing$ 4.50 x 11	1
5	4421520	Bearing	1
6	4421530	Seal	1
7	4421350	Bracket	1
8	4422850	PB Box Asm	1
9	8120380	Lockwasher .25	2
10	8109-012	Screw .25 x 1.50	2
11	8144113	Street Elbow .75	1
12	4445	Valve Asm	1
13	4452	Coil only	1
14	8219666	Pipe Nipple .75 x 6	1
15	8192090	Pipe Coupling .75	1
16	4421660	Self Tap Screw #10 x .38	6

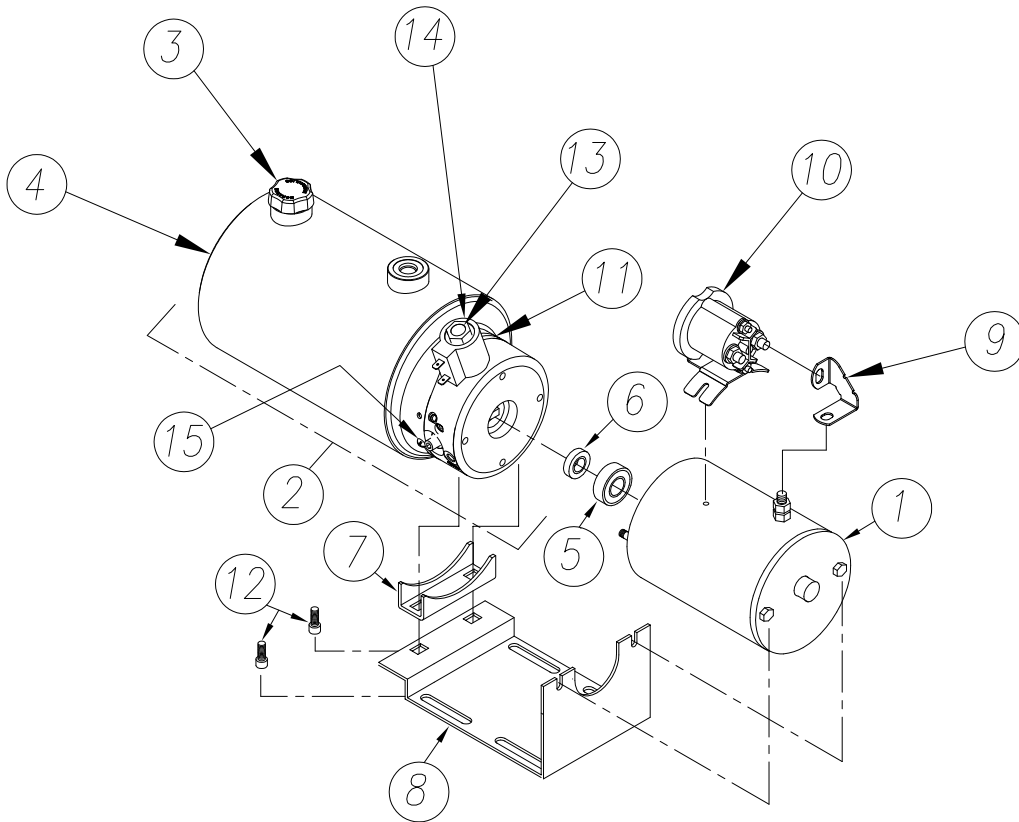
4400321 GRAVITY DOWN TT12



**4400351 PUMP ASSEMBLY (2500 PSI)  
4498 PUMP ASSEMBLY (2000 PSI)**

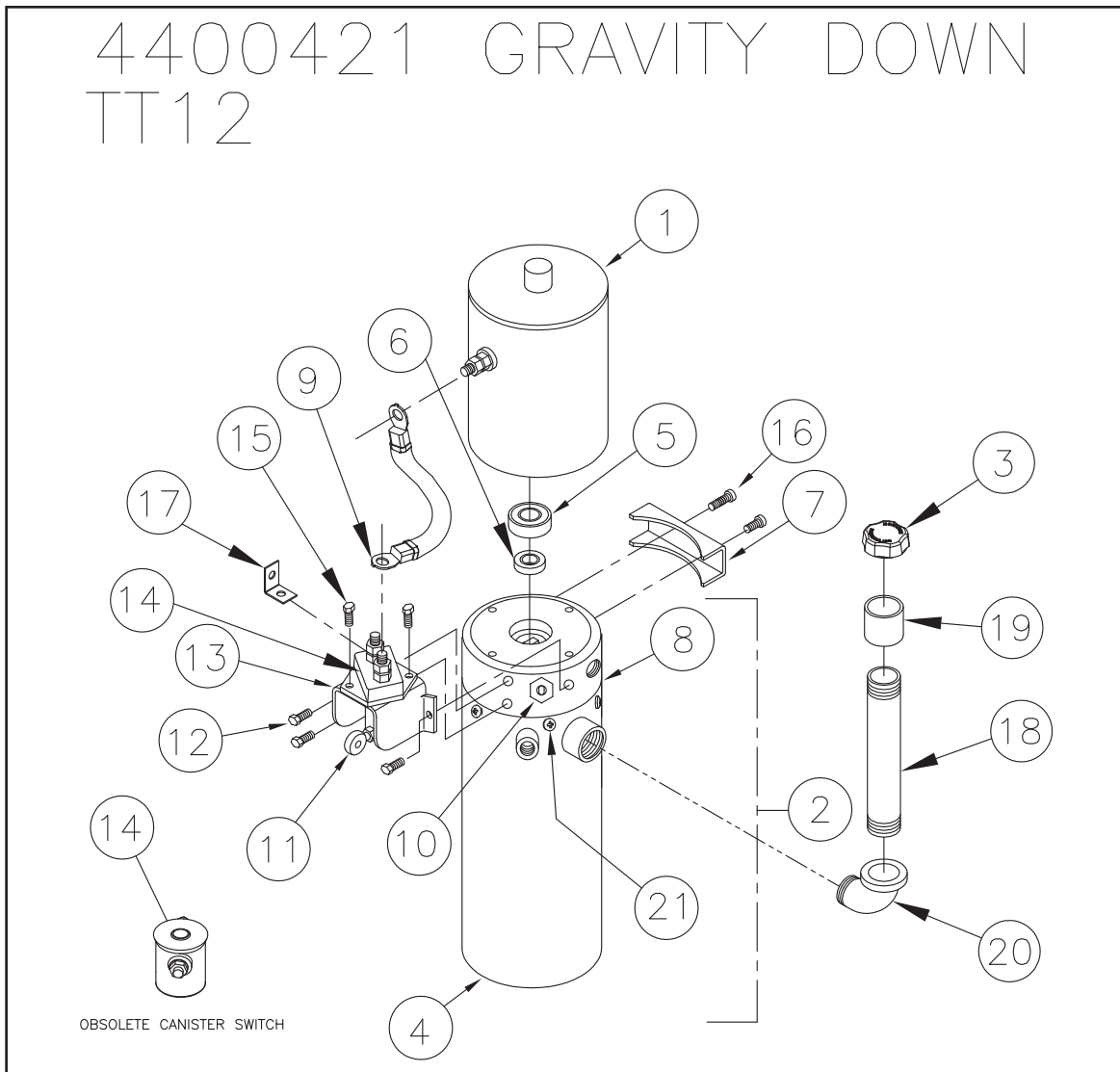
Item	Part Number	Description	Qty./Model
1	4423520	Motor 8111	1
2	4400359	Pump and Reservoir Only (2500 PSI)	1
2	44008	Pump and Reservoir Only (2000 PSI)	1
3	4420410	Breather Cap	1
4	4403	Reservoir ø6 x 9	1
5	4421520	Bearing	1
6	4421530	Seal	1
7	4421350	Bracket	1
8	4421420	Bracket	1
9	4480	Buss Bar	1
10	4468	Solenoid	1
11	4421600	O-Ring	1
12	8109-009	Screw .25 x 1.38	2
13	4445	Valve Asm	1
14	4452	Coil only	1
15	4421660	Self Tap Screw #10 x .38	6

4400351/4498 GRAVITY DOWN



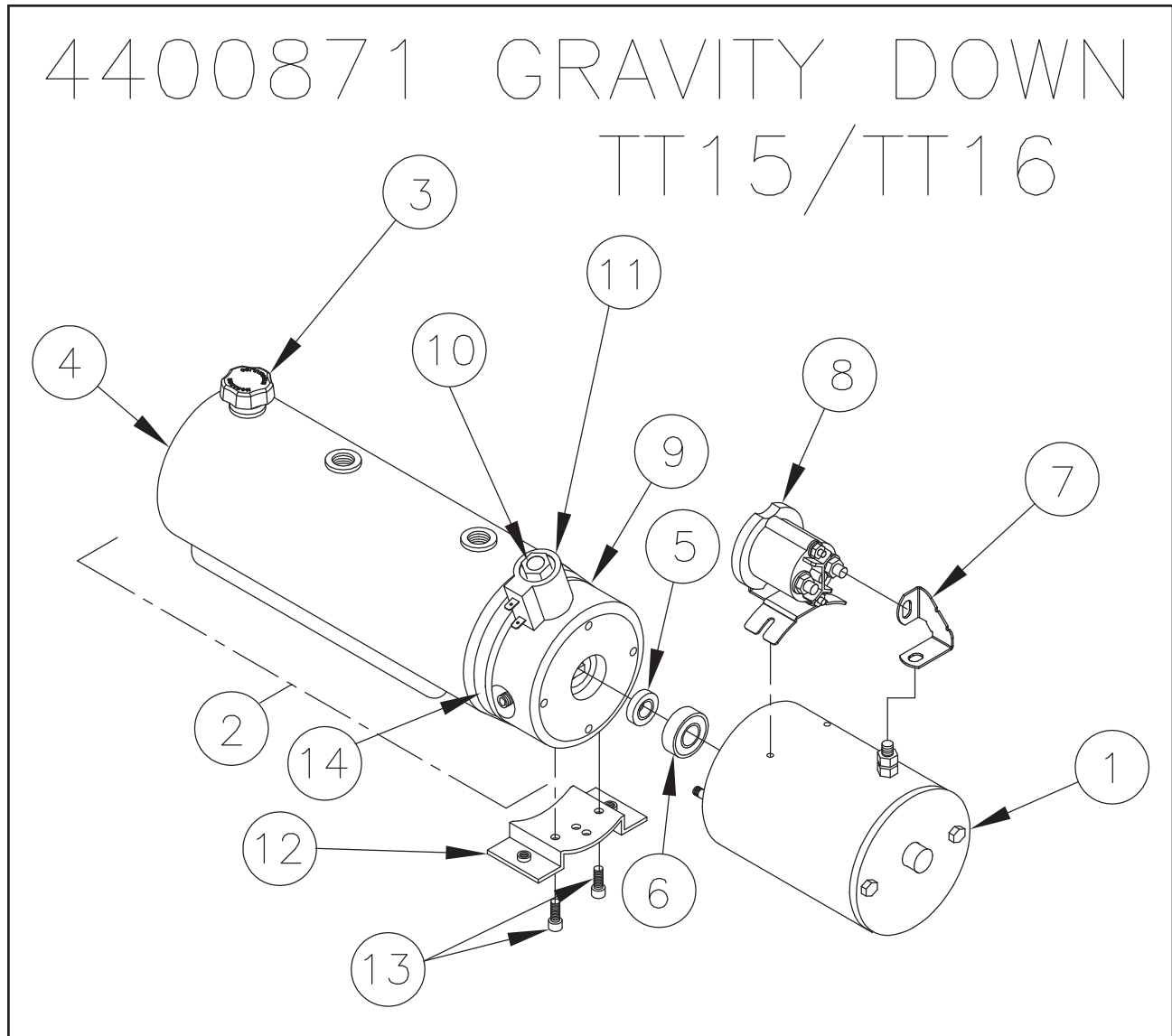
### 4400421 PUMP ASSEMBLY

Item	Part Number	Description	Qty./Model
1	4423520	Motor 8111	1
2	4400429	Pump and Reservoir Only	1
3	4420410	Breather Cap	1
4	4422330	Reservoir $\phi 4.50 \times 11$	1
5	4421520	Bearing	1
6	4421530	Seal	1
7	4421350	Bracket	1
8	4421600	O-Ring	1
9	4421370	Cable	1
10	4423410	Plunger	1
11	4423220	Eye Bolt	1
12	4420970	Screw	3
13	4423450	Bracket	1
14	4420750	Dimmer Switch-Current	1
14	4422980	Canister Switch-Obsolete	1
15	5793010	Self Tap Screw .25 x .75	2
16	8109-012	Screw .25 x 1.50	2
17	4324	Buss Bar	1
18	8219666	Pipe Nipple .75 x 6	1
19	8192090	Pipe Coupling .75	1
20	8144113	Street Elbow .75	1
21	4421660	Self Tap Screw #10 x .38	6



### 4400871 PUMP ASSEMBLY

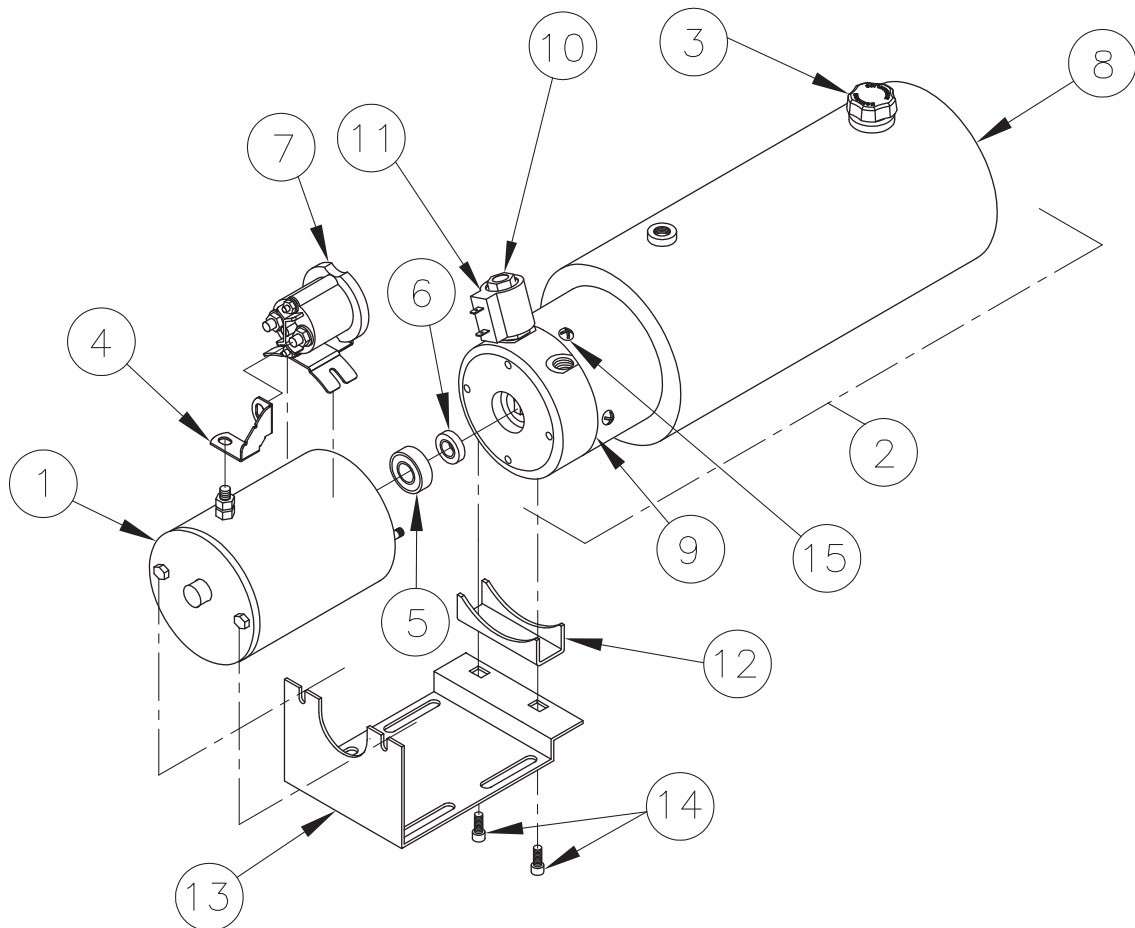
Item	Part Number	Description	Qty./Model
1	4423520	Motor 8111	1
2	4400879	Pump and Reservoir Only	1
3	4420409	Breather Cap	1
4	4405	Reservoir $\varnothing 4.50 \times 13$	1
5	4421530	Seal	1
6	4421520	Bearing	1
7	4480	Buss Bar	1
8	4468	Solenoid	1
9	4421600	O-Ring	1
10	4445	Solenoid Valve Asm	1
11	4452	Solenoid Coil only	1
12	4408	Bracket	1
13	8104-006	Screw .31 x 1.00	2
14	4488-001	Hose Clamp	1



### 4400901 PUMP ASSEMBLY

Item	Part Number	Description	Qty./Model
1	4423520	Motor 8111	1
2	4400909	Pump and Reservoir Only	1
3	4420410	Breather Cap	1
4	4480	Buss Bar	1
5	4421520	Bearing	1
6	4421530	Seal	1
7	4468	Solenoid	1
8	4423600	Reservoir $\phi 6.00 \times 13.50$	1
9	4421600	O-Ring	1
10	4445	Solenoid Valve Asm	1
11	4452	Solenoid Coil Only	1
12	4421350	Bracket	1
13	4421420	Bracket	1
14	8109-009	Screw .25 x 1.38	2
15	4421660	Self Tap Screw #10 x .38	6

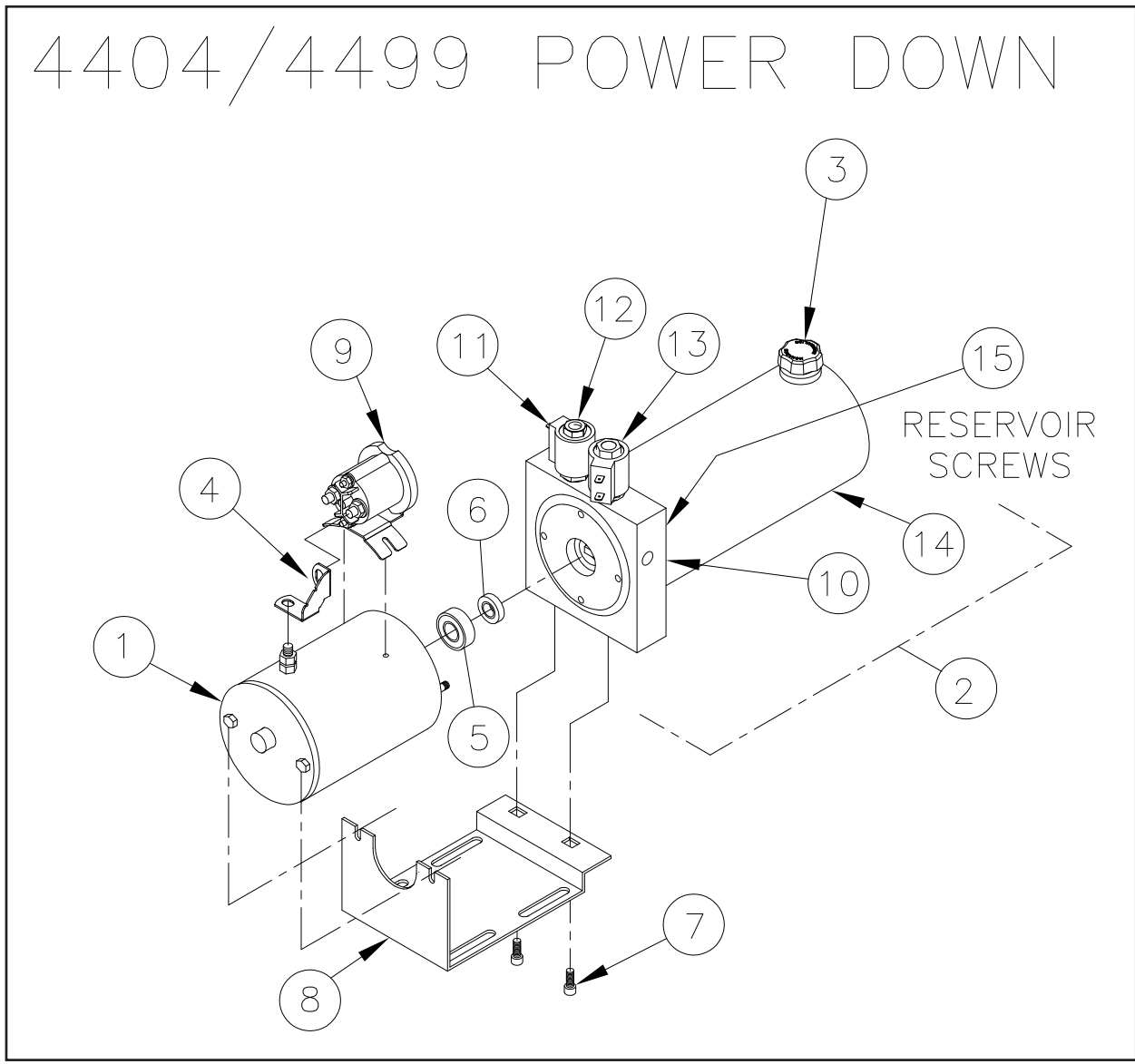
4400901 GRAVITY DOWN  
VL30/40/50





**4404 PUMP ASSEMBLY (2650 PSI)**  
**4499 PUMP ASSEMBLY (2000 PSI)**

Item	Part Number	Description	Qty./Model
1	4423520	Motor 8111	1
2	4439	Pump and Reservoir Asm (2650 PSI)	1
2	4499	Pump and Reservoir Asm (2000 PSI)	1
3	4420410	Breather Cap	1
4	4480	Buss Bar	1
5	4421520	Bearing	1
6	4421530	Seal	1
7	8109-012	Screw .25 x .75	2
8	4421420	Bracket	1
9	4468	Solenoid	1
10	4421600	O-Ring	2
11	4452	Solenoid Coil only	2
12	4445	Solenoid Valve Asm (lower)	1
13	4438	Solenoid Valve Asm (raise)	1
14	4457	Reservoir - $\phi 4.50 \times 12$	1
15	4421660	Self Tap Screw #10 x .38	6

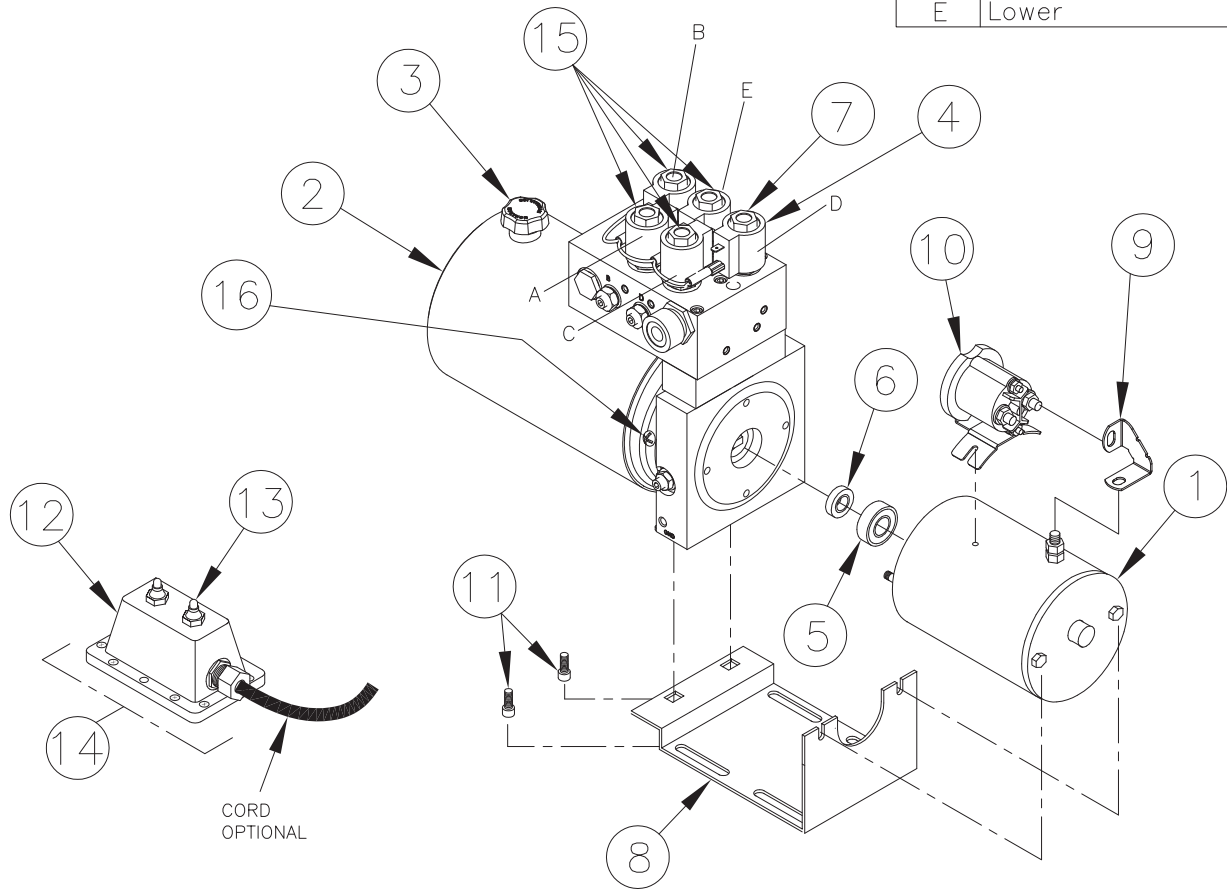


### 4411 PUMP ASSEMBLY

Item	Part Number	Description	Qty./Model
1	4423520	Motor 8111	1
2	4403	Reservoir ø6 x 9	1
3	4420409	Breather Cap	1
4	4452	Coil	5
5	4421520	Bearing	1
6	4421530	Seal	1
7	4445	Valve Asm	1
8	4421420	Bracket	1
9	4480	Buss Bar	1
10	4468	Solenoid	1
11	8109-009	Screw .25 x 1.38	2
12	4418	Control Box	1
13	4301740	Switch	2
14	4419-001	Box Asm w/Switches-Cord Not included	1
14	4419-002	Box Asm w/Switches & Cord	1
15	4422	Valve Asm	4
16	4421660	Self Tap Screw #10 x .38	6

## 4411 POWER DOWN

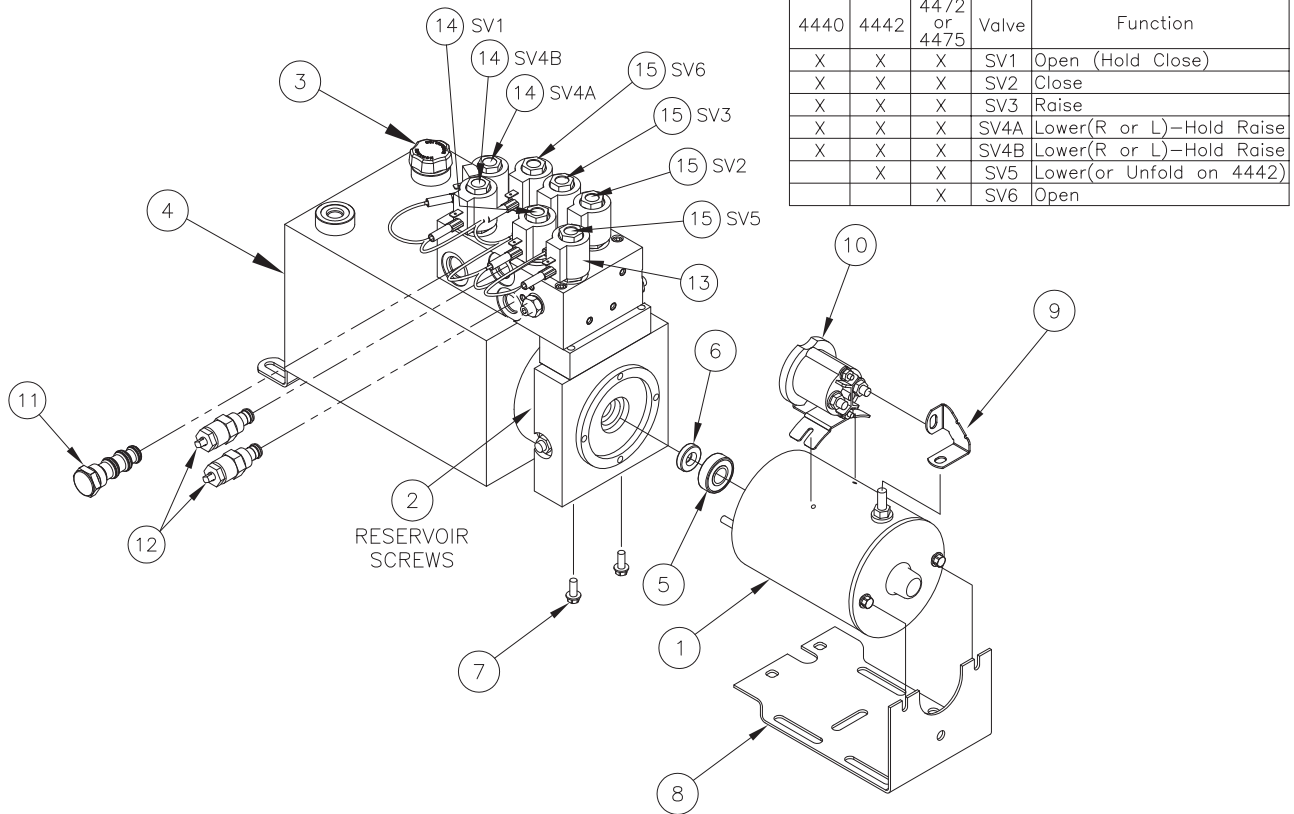
Valve	Function
A	Unfold
B	Fold
C	Raise
D	Lower-Hold Raise
E	Lower



**4440 PUMP ASSEMBLY - GRAVITY DOWN (TDR OR TDR35)**  
**4442 PUMP ASSEMBLY - POWER DOWN OR POWER UNFOLD (TDR OR TDR35)**  
**4472 PUMP ASSEMBLY - POWER ALL DIRECTIONS (TDR)**  
**4475 PUMP ASSEMBLY - POWER ALL DIRECTIONS (TDR35)**

Item	Part Number	Description	Qty./Model
1	4423520	Motor 8111	1
2	4421660	Self Tap Screw #10 x .38	6
3	4420410	Breather Cap	1
4	4448	Reservoir	1
5	4421520	Bearing	1
6	4421530	Seal	1
7	8109-012	Screw .25 x .75	2
8	4421420	Bracket	1
9	4480	Buss Bar	1
10	4468	Solenoid	1
11	4450	Flow Divider Valve	1
12	4449	Flow Control Valve	2
13	4452	Valve Coil	5, 6, or 7
14	4445	Valve Asm	3
15	4422	Valve Asm	2, 3, or 4

4440 GRAVITY DOWN (TDR or TDR35)  
 4442 POWER DOWN OR POWER UNFOLD (TDR or TDR35)  
 4472 POWER ALL DIRECTIONS (TDR)–SHOWN  
 4475 POWER ALL DIRECTIONS (TDR35)–SHOWN



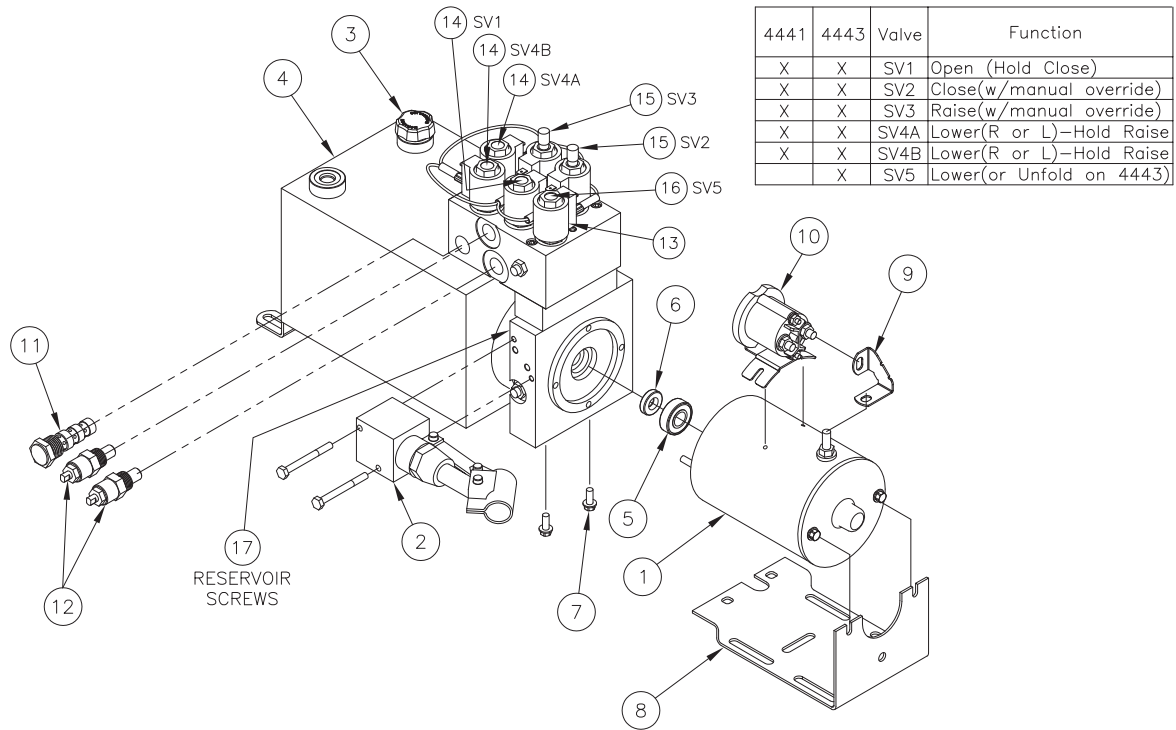
**4441 PUMP ASSEMBLY W/HANDPUMP - GRAVITY DOWN (TDR OR TDR35)**  
**4443 PUMP ASSEMBLY W/HANDPUMP - POWER DOWN OR POWER UNFOLD (TDR OR TDR35)**

Item	Part Number	Description	Qty./Model
1	4423520	Motor 8111	1
2	4462	Handpump	1
3	4420410	Breather Cap	1
4	4448	Reservoir	1
5	4421520	Bearing	1
6	4421530	Seal	1
7	8109-012	Screw .25 x .75	2
8	4421420	Bracket	1
9	4480	Buss Bar	1
10	4468	Solenoid	1
11	4450	Flow Divider Valve	2
12	4449	Flow Control Valve	2
13	4452	Valve Coil	5 or 6
14	4445	Valve Asm	3
15	4458	Valve Asm	2
16	4422	Valve Asm	0 or 1
17	4421660	Self Tap Screw #10 x .38	6

HANDPUMP EQUIPPED POWER UNITS

4441 GRAVITY DOWN (TDR or TDR35)

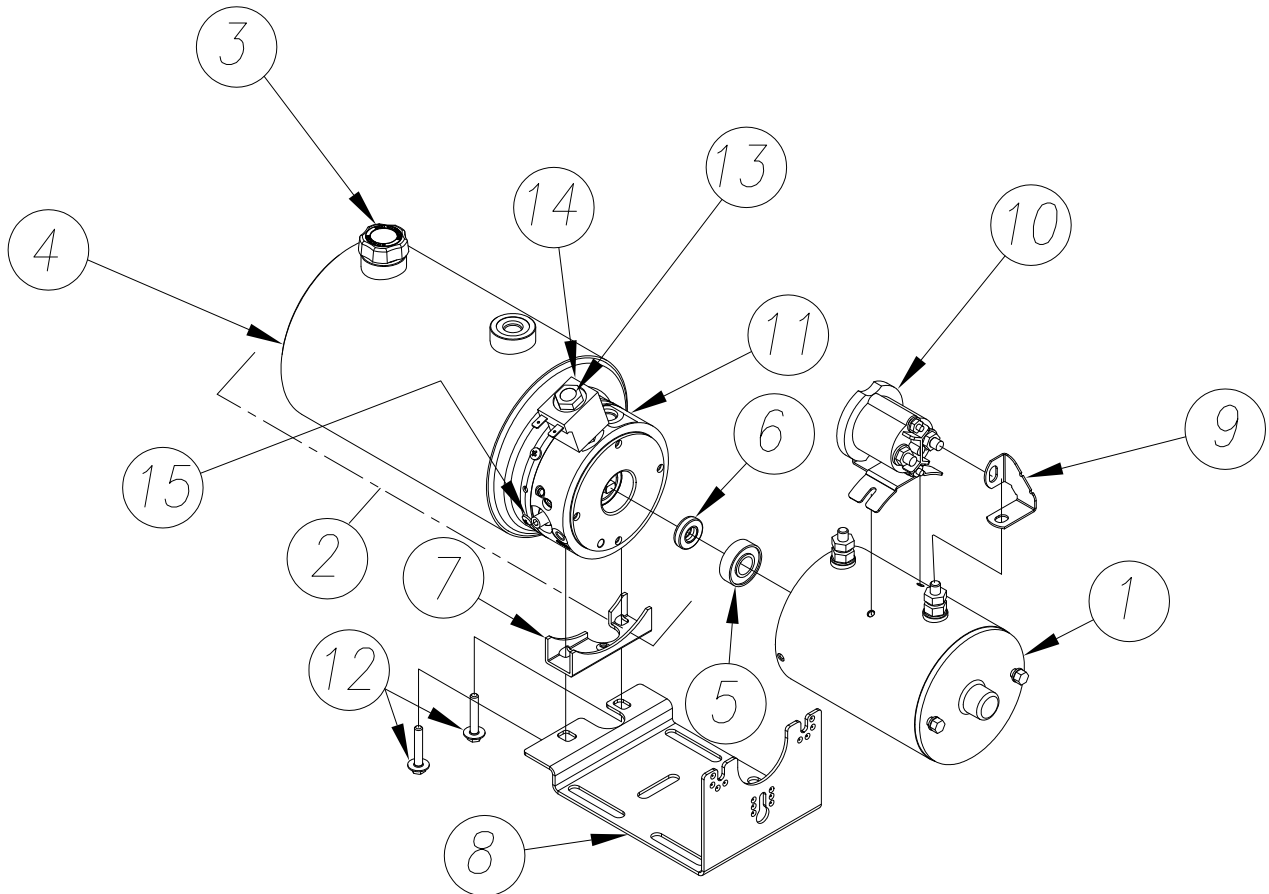
4443 POWER DOWN OR POWER UNFOLD (TDR or TDR35)-SHOWN



### 4466 PUMP ASSEMBLY (24V)

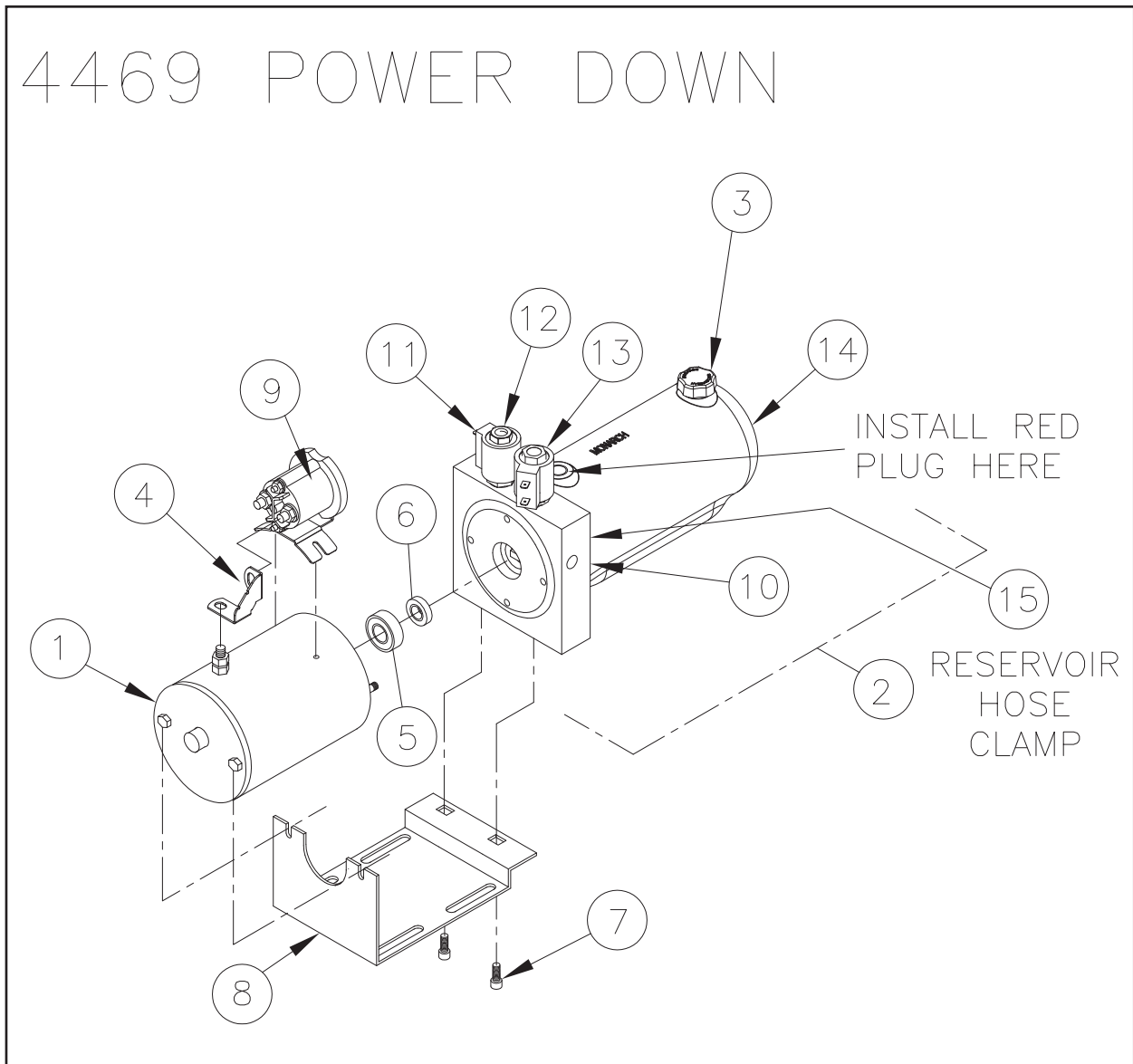
Item	Part Number	Description	Qty./Model
1	44003	24V Motor 8120-D	1
2	4400359	Pump and Reservoir Only	1
3	4420410	Breather Cap	1
4	4403	Reservoir $\varnothing 6 \times 9$	1
5	4421520	Bearing	1
6	4421530	Seal	1
7	4421350	Bracket	1
8	4421420	Bracket	1
9	4480	Buss Bar	1
10	44002	24V Solenoid	1
11	4421600	O-Ring	1
12	8109-009	Screw .25 x 1.38	2
13	44001	24V Valve Asm	1
14	44000	24V Coil Only	1
15	4421660	Self Tap Screw #10 x .38	6

# 4466 GRAVITY DOWN



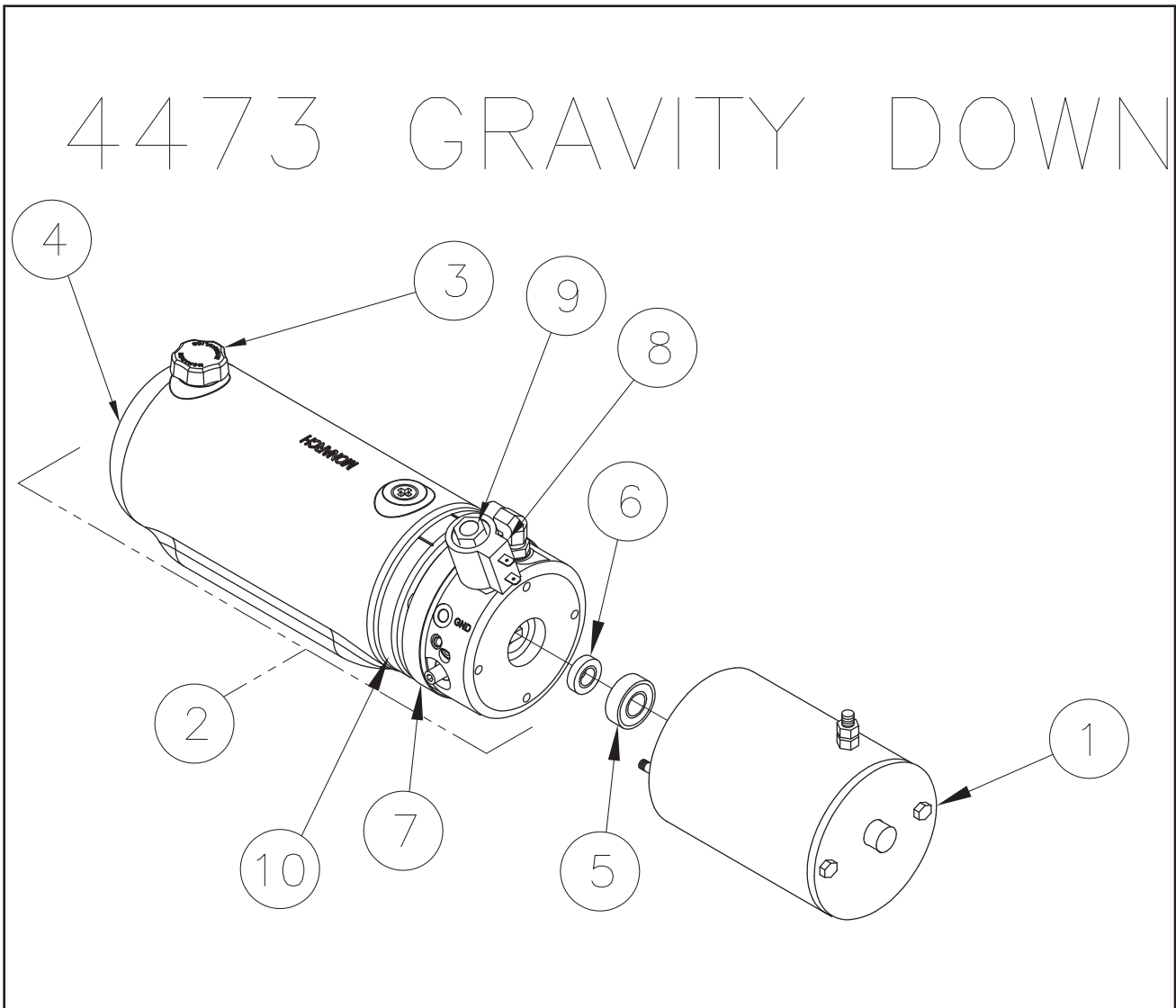
### 4469 PUMP ASSEMBLY

Item	Part Number	Description	Qty./Model
1	4423520	Motor 8111	1
2	4497	Pump and Reservoir Only	1
3	4420409	Breather Cap	1
4	4480	Buss Bar	1
5	4421520	Bearing	1
6	4421530	Seal	1
7	8109-012	Screw .25 x .75	2
8	4421420	Bracket	1
9	4468	Solenoid	1
10	4421600	O-Ring	2
11	4452	Solenoid Coil Only	2
12	4445	Solenoid Valve Asm (lower)	1
13	4438	Solenoid Valve Asm (raise)	1
14	4459	Reservoir $\varnothing$ 4.50 x 12.00 (Poly w/plug)	1
15	4488-001	Hose Clamp	1



### 4473 PUMP ASSEMBLY

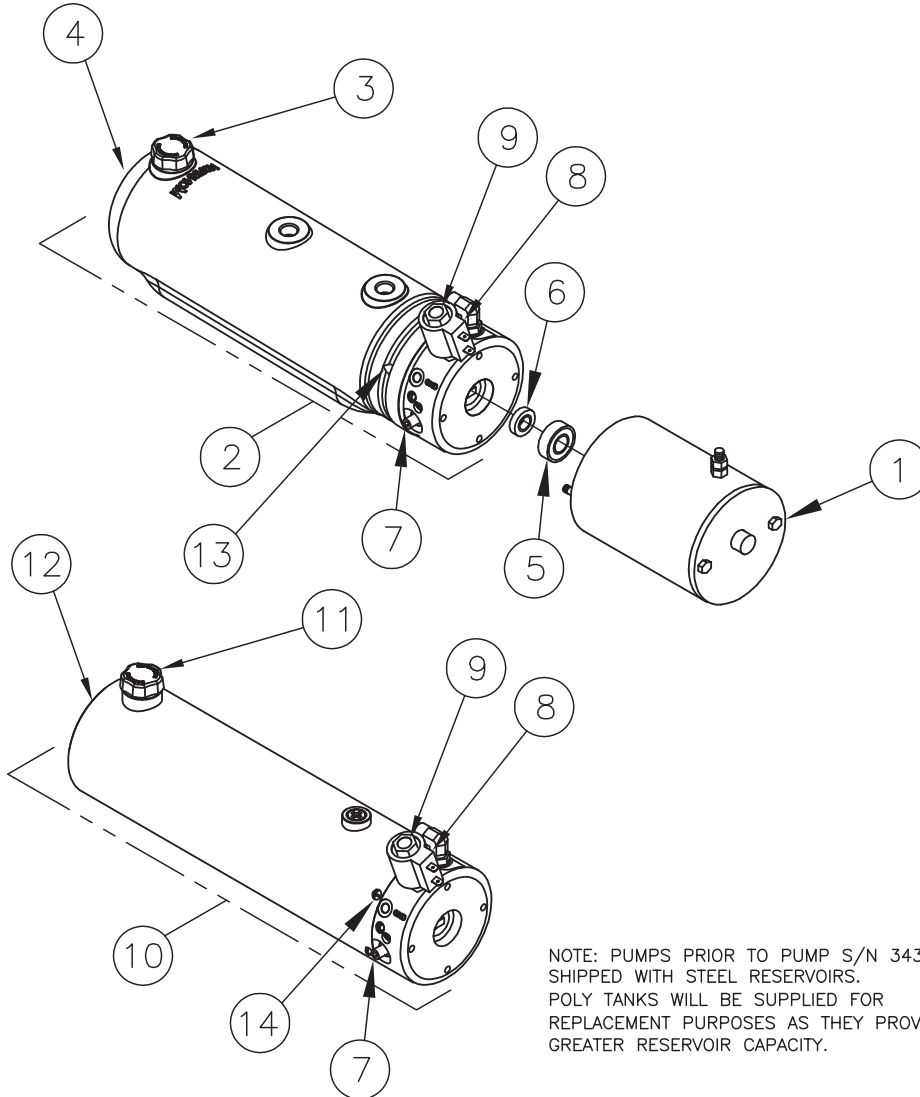
Item	Part Number	Description	Qty./Model
1	4423520	Motor 8111	1
2	4481	Pump and Reservoir Only	1
3	4420409	Breather Cap	1
4	4459	Reservoir $\varnothing 4.50 \times 12$	1
5	4421520	Bearing	1
6	4421530	Seal	1
7	4421600	O-Ring	1
8	4452	Solenoid Coil Only	1
9	4445	Solenoid Valve Asm	1
10	4488-001	Hose Clamp	1



### 4474 PUMP ASSEMBLY

Item	Part Number	Description	Qty./Model
1	4423520	Motor 8111	1
2	4486	Pump and Reservoir Only (Poly)	1
3	4420409	Breather Cap (3/8)	1
4	4487	Reservoir Ø4.50 x 15 (Poly)	1
5	4421520	Bearing	1
6	4421530	Seal	1
7	4421600	O-Ring	1
8	4452	Solenoid Coil Only	1
9	4445	Solenoid Valve Asm	1
10	4482	Pump and Reservoir Only (Steel)	1
11	4420410	Breather Cap (3/4)	1
12	4406	Reservoir Ø4.50 x 15 (Steel)	1
13	4488-001	Hose Clamp (Poly reservoir)	1
14	4421660	Self Tap Screw #10 x .38 (Steel Rsvr.)	6

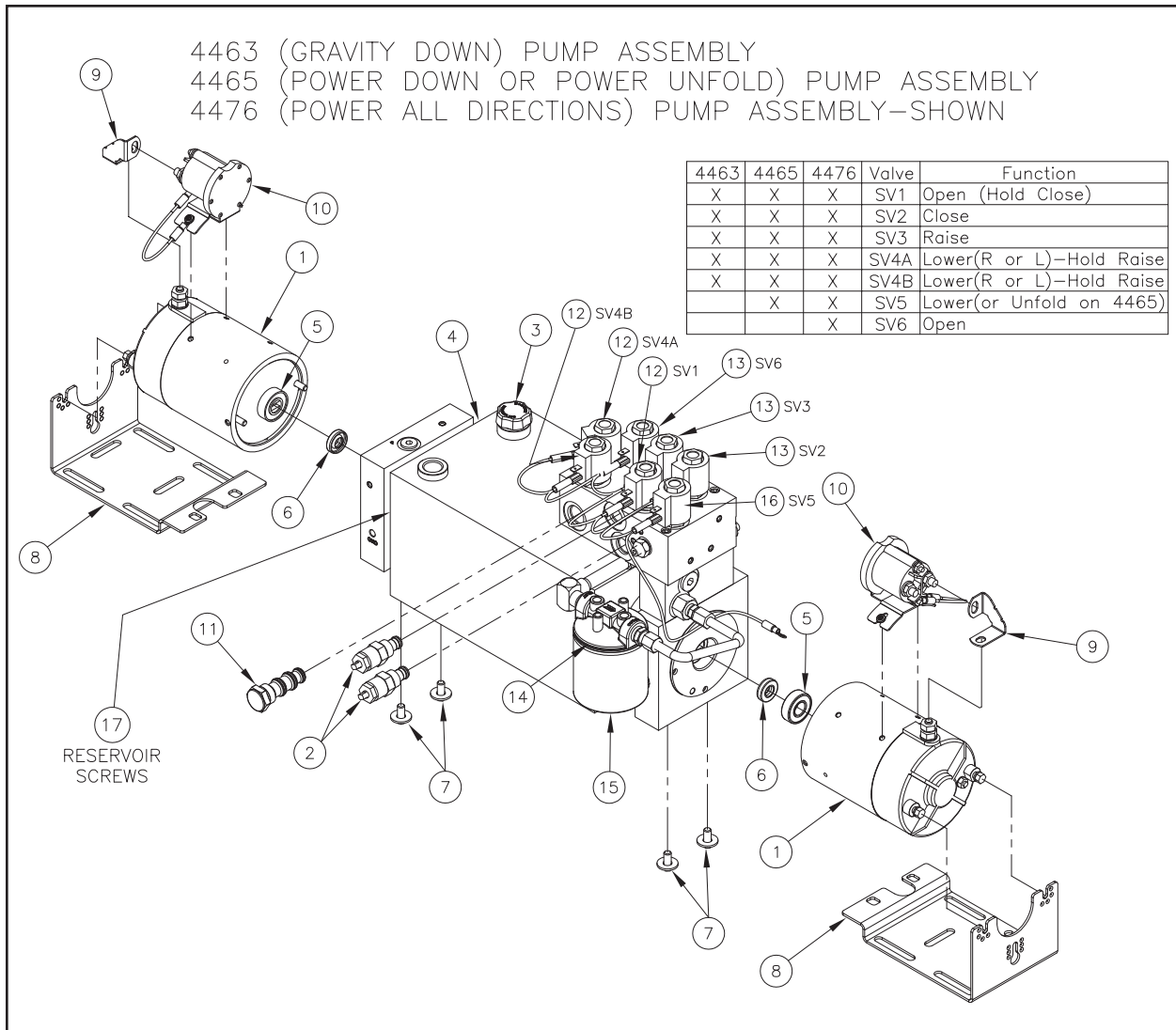
## 4474 GRAVITY DOWN





**4463 (GRAVITY DOWN) PUMP ASSEMBLY**  
**4465 (POWER DOWN OR POWER UNFOLD) PUMP ASSEMBLY**  
**4476 (POWER ALL DIRECTIONS) PUMP ASSEMBLY**

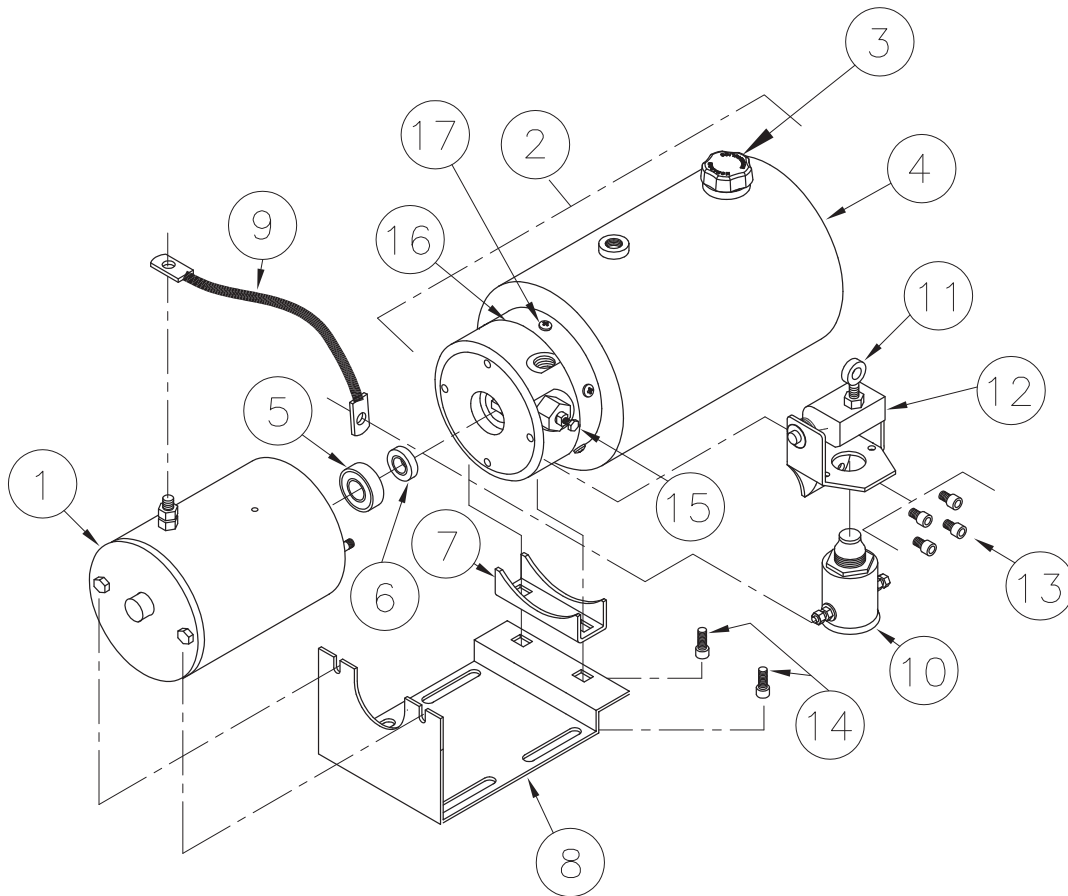
Item	Part Number	Description	Qty./Model
1	4423520	Motor 8111	2
2	4449	Flow Control Valve	2
3	4420410	Breather Cap	1
4	4490	Reservoir (2 Pump/Motor)	1
5	4421520	Bearing	2
6	4421530	Seal	2
7	8109-012	Screw .25 x .75	4
8	4421420	Bracket	2
9	4480	Bus Bar	2
10	4468	Solenoid	2
11	4450	Flow Divider Valve	1
12	4445	Valve ASM - Low Leak	3
13	4422	Valve ASM	2, 3 or 4
14	4489	Filter Return Assembly (Includes item 15)	1
15	4493	Filter	1
16	4452	Valve Coil	5, 6 or 7
17	4421660	Self Tap Screw #10 x .38	12



### 4400091 PUMP ASSEMBLY

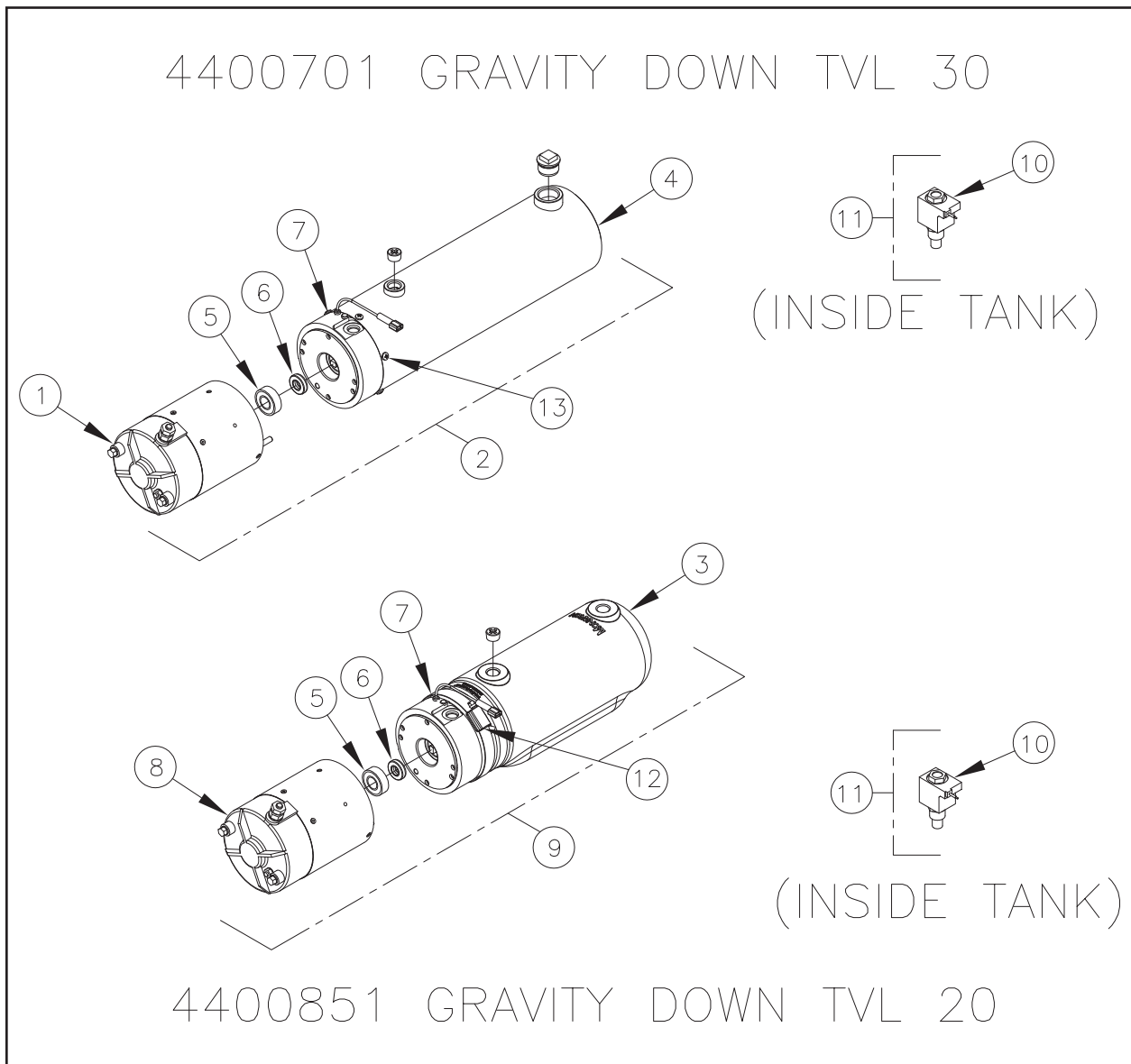
Item	Part Number	Description	Qty./Model
1	4423520	Motor 8111	1
2	4400099	Pump and Reservoir Asm	1
3	4420410	Breather Cap	1
4	4403	Reservoir Ø6 x 9	1
5	4421520	Bearing	1
6	4421530	Seal	1
7	4421350	Bracket	1
8	4421420	Bracket	1
9	4421370	Cable	1
10	4422980	Canister Switch	1
11	4455	Eye Bolt	1
12	4422350	Handle Bracket	1
13	4420970	Screw	4
14	8109-009	Screw .25 x 1.38	2
15	4421290	Dump Valve Asm	1
16	4421600	O-Ring	1
17	4421660	Self Tap Screw #10 x .38	6

4400091 GRAVITY DOWN



**4400701 GRAVITY DOWN TVL30**  
**4400851 GRAVITY DOWN TVL20**

Item	Part Number	Description	Qty./Model
1	4423520	Motor 8111	1
2	4400709	Pump and Reservoir Asm	1
3	4459	Reservoir Ø4.50 x 12 (Poly)	1
4	4406	Reservoir Ø4.50 x 15 (Steel)	1
5	4421520	Bearing	1
6	4421530	Seal	1
7	4421600	O-Ring	1
8	4423520	Motor 8111	1
9	4400859	Pump and Reservoir Asm	1
10	4491	Solenoid Coil only	1
11	4492	Solenoid Valve Asm	1
12	4488-001	Hose Clamp (Poly Reservoir)	1
13	4421660	Self Tap Screw #10 x .38 (Steel Rsvr.)	6



### 4400841 PUMP ASSEMBLY

Item	Part Number	Description	Qty./Model
1	4423720	Motor	1
2	4400849	Pump and Reservoir Asm	1
3	4407	Reservoir 3.5SQ x 20.31	1
4	4494	Solenoid Coil only	1
5	4495	Solenoid Valve Asm	1
6	4421530	Seal	1
7	4488-002	Hose Clamp	1

4400841 GRAVITY DOWN  
TVL 125/16

