

SURFACE DOOR CLOSER

Installation Instructions For 300 Series Closers



800-433-4047
www.tellmfg.com

These closers are suitable for either hand of door and include two separate adjustment valves for latch and sweep speed. Maximum angle of opening 180° (conditions permitting)

	INTERIOR/EXTERIOR	DOOR WIDTH			
		INCHES	INCHES	INCHES	INCHES
		2' 0"	2' 6"	3' 0"	3' 6"
343, 344	INTERIOR	—	—	343	344
	EXTERIOR	—	343	344	

REFER TO ATTACHED INSTRUCTION SHEETS FOR INSTALLATION

IMPORTANT

This closer must be installed by a competent technician who should pass these instructions on to the site or maintenance manager. No responsibility can be accepted by the manufacturer if these installation instructions are disregarded.

Door must swing freely and close easily to enable closer to operate efficiently.

A separate door stop is recommended to limit maximum door swing and to prevent damage to frame, door and installed hardware.

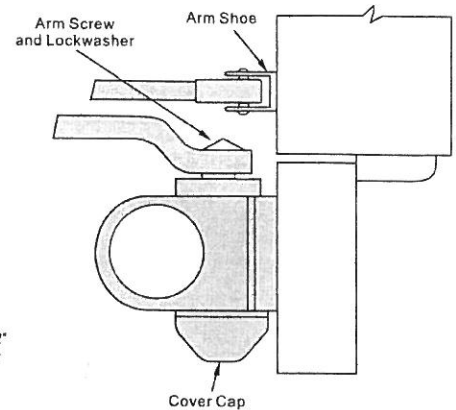
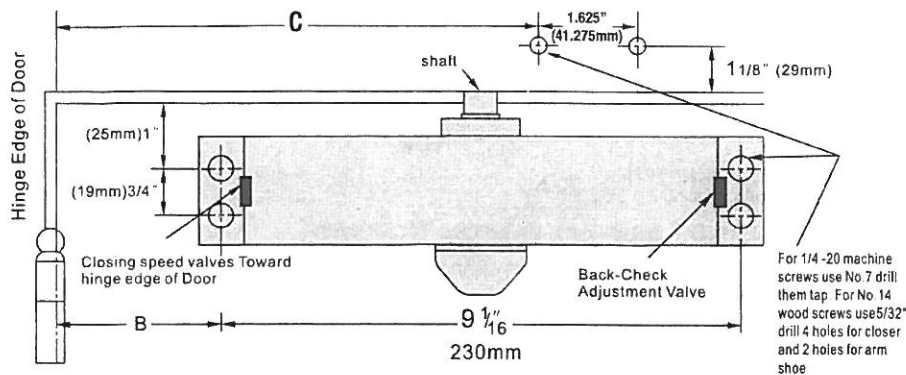
MAINTENANCE

Quarterly check door closer adjustments and make sure all fasteners are tight. Lubricate arm knuckle and door hinges.

UNDER NO CIRCUMSTANCES should the door closer be dismantled.

STANDARD INSTALLATION CLOSER MOUNTED ON DOOR ON PULL SIDE

THIS TEMPLATE COVERS REGULAR ARM INSTALLATIONS TO 180° OPENINGS.



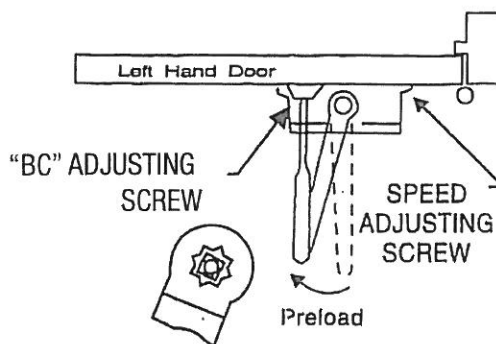
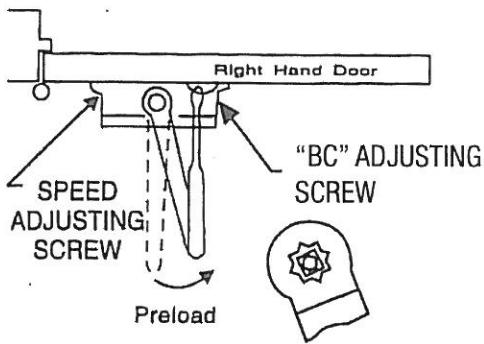
FOR OPENING TO 120°		FOR OPENING TO 120° -180°	
B	C	B	C
5-1/2" (140mm)	12" (305mm)	4-1/16" (103mm)	10" (254mm)

RIGHT HAND DOOR ILLUSTRATED
Same dimensions apply for left Hand
Door measured from the hinge edge.

INSTALLATION INSTRUCTIONS

- Select degree of opening and use dimensions shown in above template to mark four holes on door for closer and two holes on frame for arm shoe.
- Drill pilot holes in door and frame for #14 wood screws or drill and tap for 1/4-20 machine screws.
- Mount closer on door WITH CLOSING SPEED VALVES TOWARD HINGE EDGE.
- Place main arm on shaft on top of closer at proper index mark as illustrated. FOR RIGHT HAND DOOR No.4(illustration "A"). FOR LEFT HAND DOOR No.1 (illustration "B"). Tighten arm screw with lockwasher securely.
- Install main arm to top pinion shaft, perpendicular to door as shown below. Secure tightly with arm screw/washer assembly provided.
- Adjust length of forearm so when it is attached to main arm it will be at a right angle (90°) to door when door is closed and assemble at elbow then tighten locknut.
- Place cover cap over shaft at bottom of closer and turn slightly to secure.

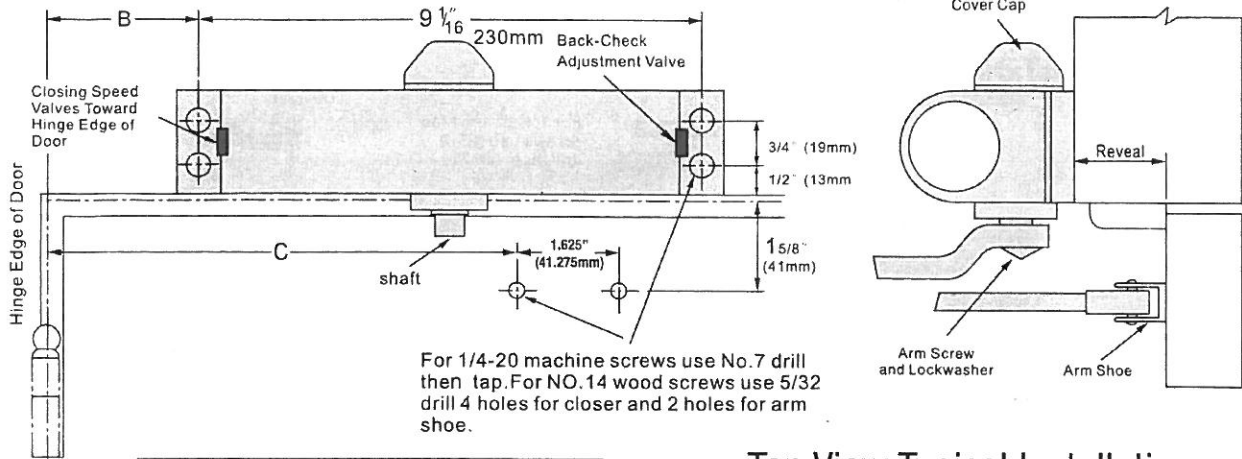
Top View Typical Installation



ADJUSTMENT INSTRUCTIONS, SEE PAGE 5

TOP JAMB INSTALLATION CLOSER MOUNTED ON TOP JAMB ON PUSH SIDE OF DOOR

THIS TEMPLATE COVERS REGULAR ARM INSTALLATIONS TO 180° OPENINGS.
Reveals of 23/4" to 6" (70mm-152mm) require Long Top Jamb Forearms.



FOR OPENING TO 120°		FOR OPENING TO 120° -180°	
B	C	B	C
5-5/8" (143mm)	11-3/4" (298mm)	3-7/16" (87mm)	8-3/4" (222mm)

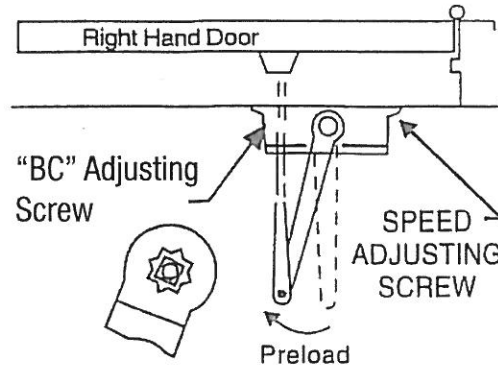
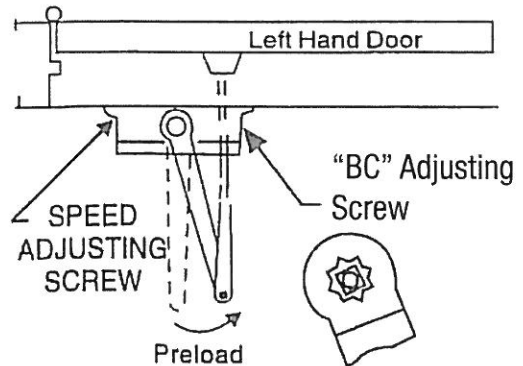
INSTALLATION INSTRUCTIONS

- Select degree of opening and use dimensions shown in above template to mark four holes on frame for closer and two holes on door for arm shoe.
- Drill pilot holes in door and frame for #14 wood screws or drill and tap for 1/4-20 machine screws.
- Mount closer on frame WITH CLOSING SPEED VALVES TOWARD HINGE EDGE.
- Place main arm on shaft on bottom of closer at proper index mark as illustrated. FOR LEFT HAND DOOR No.1 (illustration "A"). FOR RIGHT HAND DOOR No.4 (illustration "B"). Tighten arm screw with lockwasher securely.
- Install main arm to top pinion shaft, perpendicular to door as shown below. Secure tightly with arm screw/washer assembly provided.
- Adjust length of forearm so when it is attached to main arm it will be at a right angle (90°) to door when door is closed and assemble at elbow then tighten locknut.
- Place cover cap over shaft at top of closer and turn slightly to secure.

ADJUSTMENT INSTRUCTIONS, SEE PAGE 5

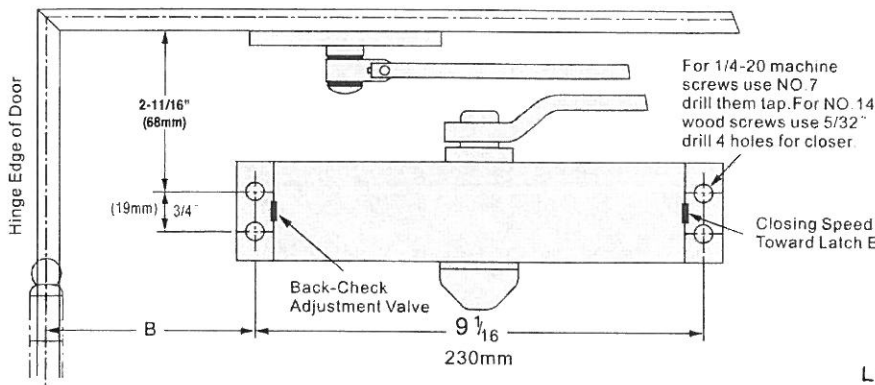
Top View Typical Installation

LEFT HAND DOOR ILLUSTRATED
Same dimensions apply for Right Hand.
Door measured from the hinge edge.



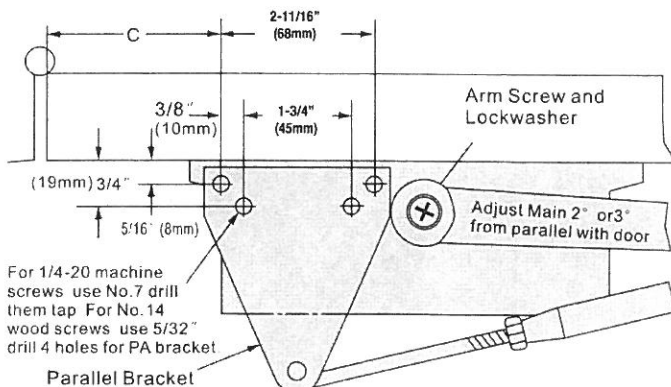
PARALLEL ARM INSTALLATION CLOSER MOUNTED ON DOOR ON PUSH SIDE

THIS TEMPLATE COVERS REGULAR PARALLEL ARM INSTALLATIONS TO 180° OPENINGS.

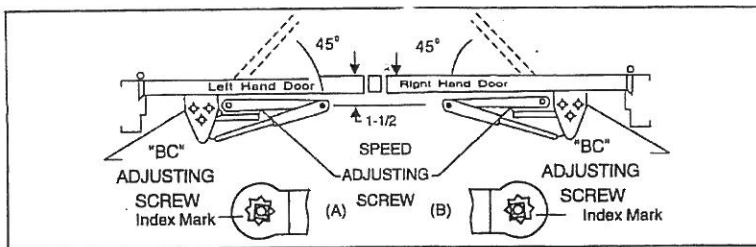


LEFT HAND DOOR ILLUSTRATED
Some dimensions apply for Right Hand Door measured from the hinge edge.

FOR OPENING TO 120°		FOR OPENING TO 120° - 180°	
B	C	B	C
7-15/16" (202mm)	9-1/16" (230mm)	6-9/16" (167mm)	7-11/16" (195mm)



Typical Installation



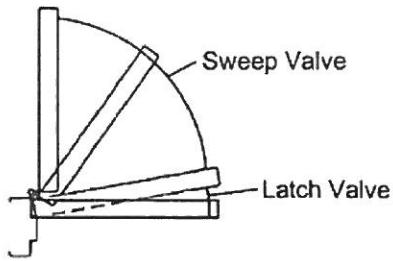
INSTALLATION INSTRUCTIONS

1. Select degree of opening and use dimensions shown in above template to mark four holes on door for closer and four holes on frame for parallel bracket.
2. Drill pilot holes in door and frame for #14 wood screws or drill and tap for 1/4-20 machine screws.
3. Mount closer on door WITH CLOSING SPEED VALVES AWAY FROM HINGE EDGE.
4. Attach parallel bracket to door stop as illustrated.
5. Using a wrench on the square shaft at bottom of closer, rotate shaft approximately 45° toward hinge edge of door. Hold and place main arm of shaft on top of closer at Proper index mark as illustrated FOR LEFT HAND DOOR "L" (Illustration "A"). FOR RIGHT HAND DOOR "R" (Illustration "B"). Tighten arm screw with lockwasher securely.
6. Remove the arm shoe from the forearm (arm shoe is not used in this application) and place forearm on parallel bracket stud and tighten screw securely.
7. Adjust length of forearm so when it is attached to main arm, the main arm will be slightly away from parallel with closed door, and assemble at elbow then tighten locknut.
8. Place cover cap over shaft at bottom of closer and turn slightly to secure.

ADJUSTMENT INSTRUCTIONS, SEE PAGE 5

CRITICAL ADJUSTMENTS

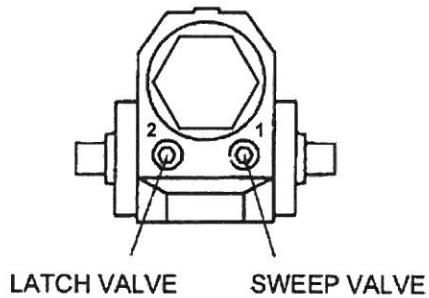
Closing Speed Control



Adjust closing speed time to between 4 to 6 seconds from 90°. Barrier free access may require longer closing time.

REGULATING DOOR SPEED AND LATCHING SPEED

Turn valves clockwise to slow down or counter clockwise to speed up door movement



DO NOT TURN MORE THAN TWO (2) FULL TURNS COUNTER CLOKWISE FROM FACTORY SET POSITION.

CAUTION: Do not back any valves out of closer or a leak will result