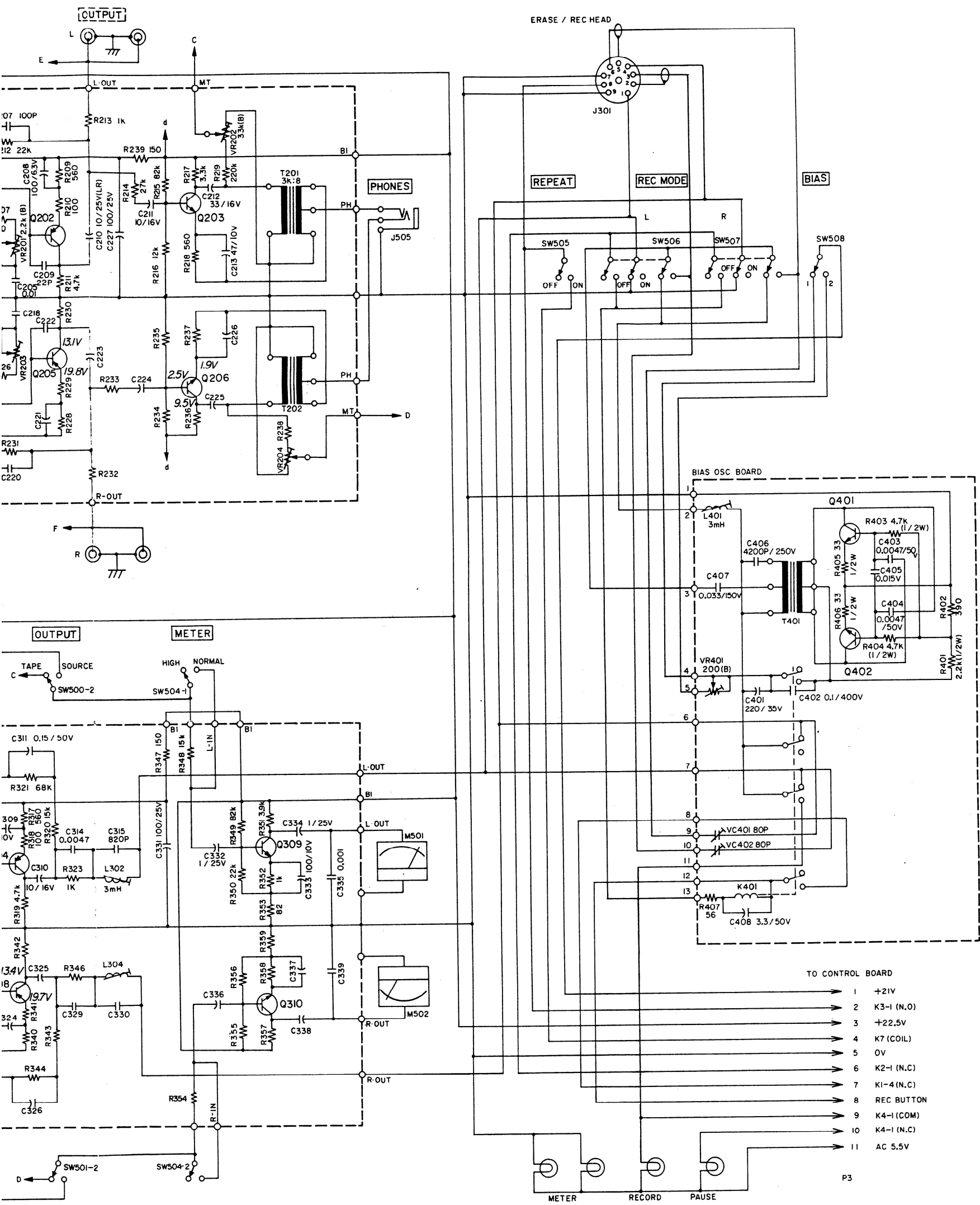


CIRCUIT REF. NO.	DESCRIPTION	CIRCUIT REF. NO.	DESCRIPTION
Q101 / 104	2SC1327 (T), 2SC1345 (E)	Q301 / 305	2SC644 (T), 2SC900 (E)
Q102 / 105	2SA763YL (S), 2SA750 (E)	Q302 / 306	2SA763YL (S), 2SA750 (E)
Q103 / 106	2SC828 (S), 2SC536 (G)	Q303 / 307	2SC644 (T), 2SC900 (E)
Q107 / 108	2SC1327 (T), 2SC1345 (E)	Q304 / 308	2SA763YL (S), 2SC536 (G)
Q201 / 204	2SC644 (T), 2SC900 (E)	Q309 / 310	2SC828 (S), 2SC536 (G)
Q202 / 205	2SA763YL (S), 2SA750 (E)		
Q203 / 206	2SC828 (S), 2SC536 (G)	Q401 / 402	2SC1384 (Q)



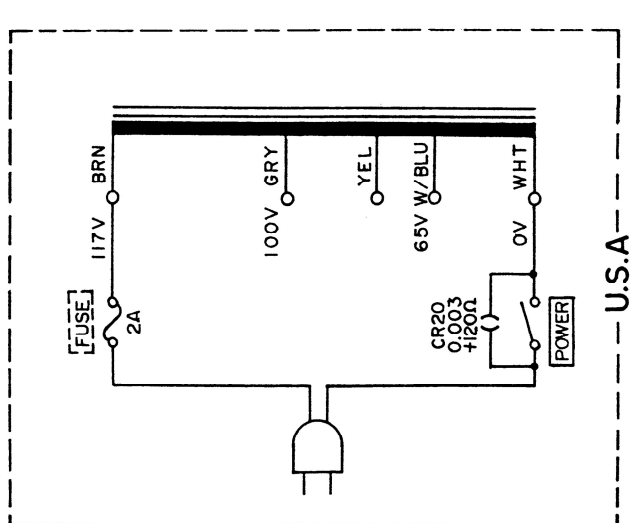
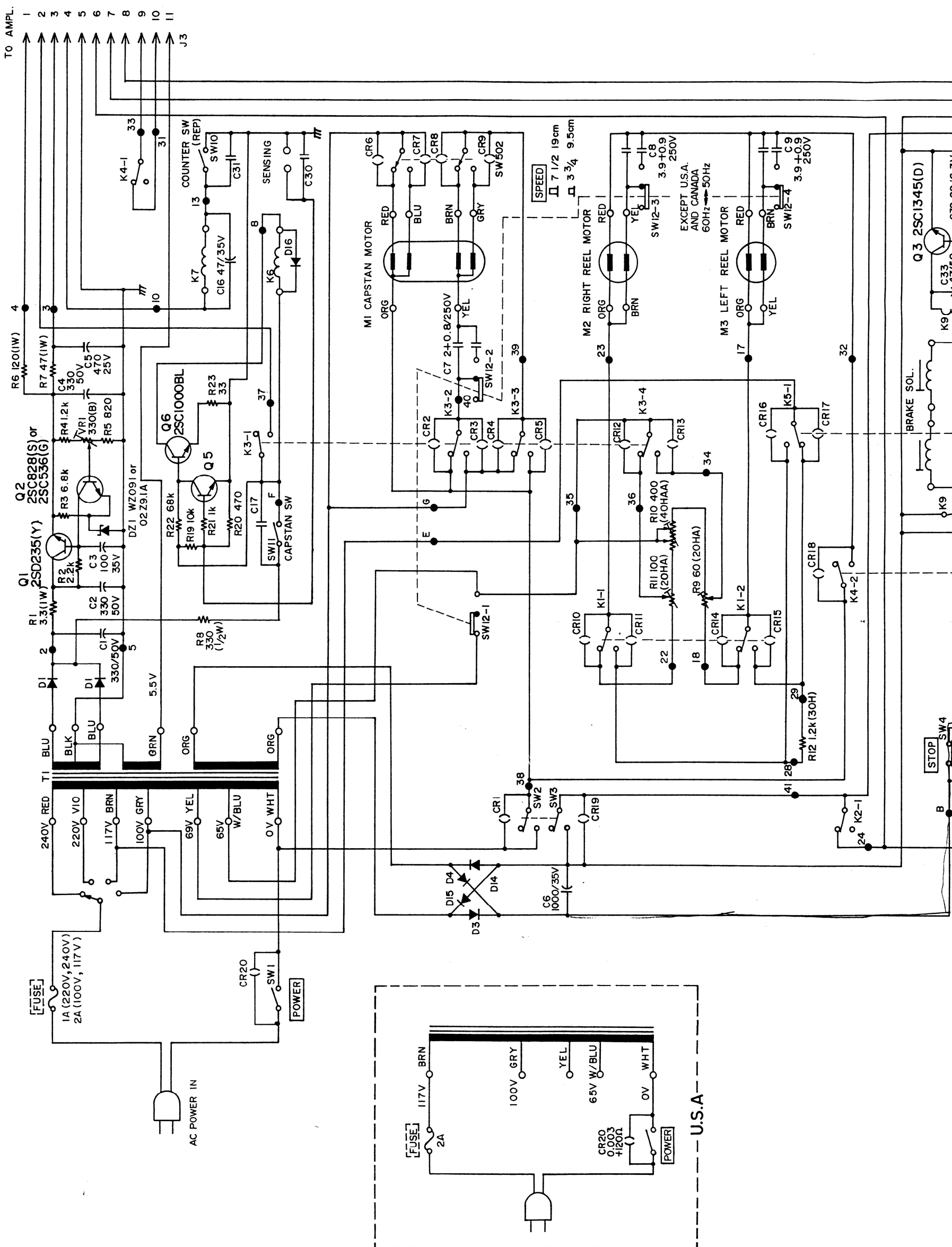
- TO CONTROL BOARD
- 1 +21V
 - 2 K3-1 (N.O)
 - 3 +22.5V
 - 4 K7 (COIL)
 - 5 0V
 - 6 K2-1 (N.C)
 - 7 K1-4 (N.C)
 - 8 REC BUTTON
 - 9 K4-1 (COM)
 - 10 K4-1 (N.C)
 - 11 AC 5.5V
- P3

NOTES

1. ALL RESISTORS ARE 1/4 WATT, 5% UNLESS MARKED OTHERWISE. RESISTOR VALUES ARE IN OHMS (K=1,000 OHMS, M=1,000,000 OHMS).
2. ALL CAPACITOR VALUES ARE IN MICROFARADS (P=PICOFARADS).
3. DC VOLTAGES WERE MEASURED DURING RECORD PAUSE MODE.

6		
5		
4		
3		
2		
1	06-76	
REVISION	DATE	CHANGE NO.

PREAMPLIFIER
 MODEL NO. **A-4300SX**
 SHEET NO.
TEAC CORPORATION



Q3 2SC1345(D)

C33 47/50

K9

BRAKE SOL.

C32 22/6.3V

STOP SW4

EXCEPT U.S.A. AND CANADA 60Hz → 50Hz

SW12-4 3.9+0.9 250V

SW12-3 3.9+0.9 250V

SW12-2

SW12-1

SW10

COUNTER SW (REP)

SENSING

C30

K6

K5

K4-1

K3-3

K3-2

K3-1

K2-2

K2-1

K1-2

K1-1

K1

K9

K5-1

K4-2

K4-1

K3-4

K3-3

K3-2

K3-1

K2-2

K2-1

K1-2

K1-1

K1

K9

K5-1

K4-2

K4-1

K3-4

K3-3

K3-2

K3-1

K2-2

K2-1

K1-2

K1-1

K1

K9

K5-1

K4-2

K4-1

K3-4

K3-3

K3-2

K3-1

K2-2

K2-1

K1-2

K1-1

K1

K9

K5-1

K4-2

K4-1

K3-4

K3-3

K3-2

K3-1

K2-2

K2-1

K1-2

K1-1

K1

K9

K5-1

K4-2

K4-1

K3-4

K3-3

K3-2

K3-1

K2-2

K2-1

K1-2

K1-1

K1

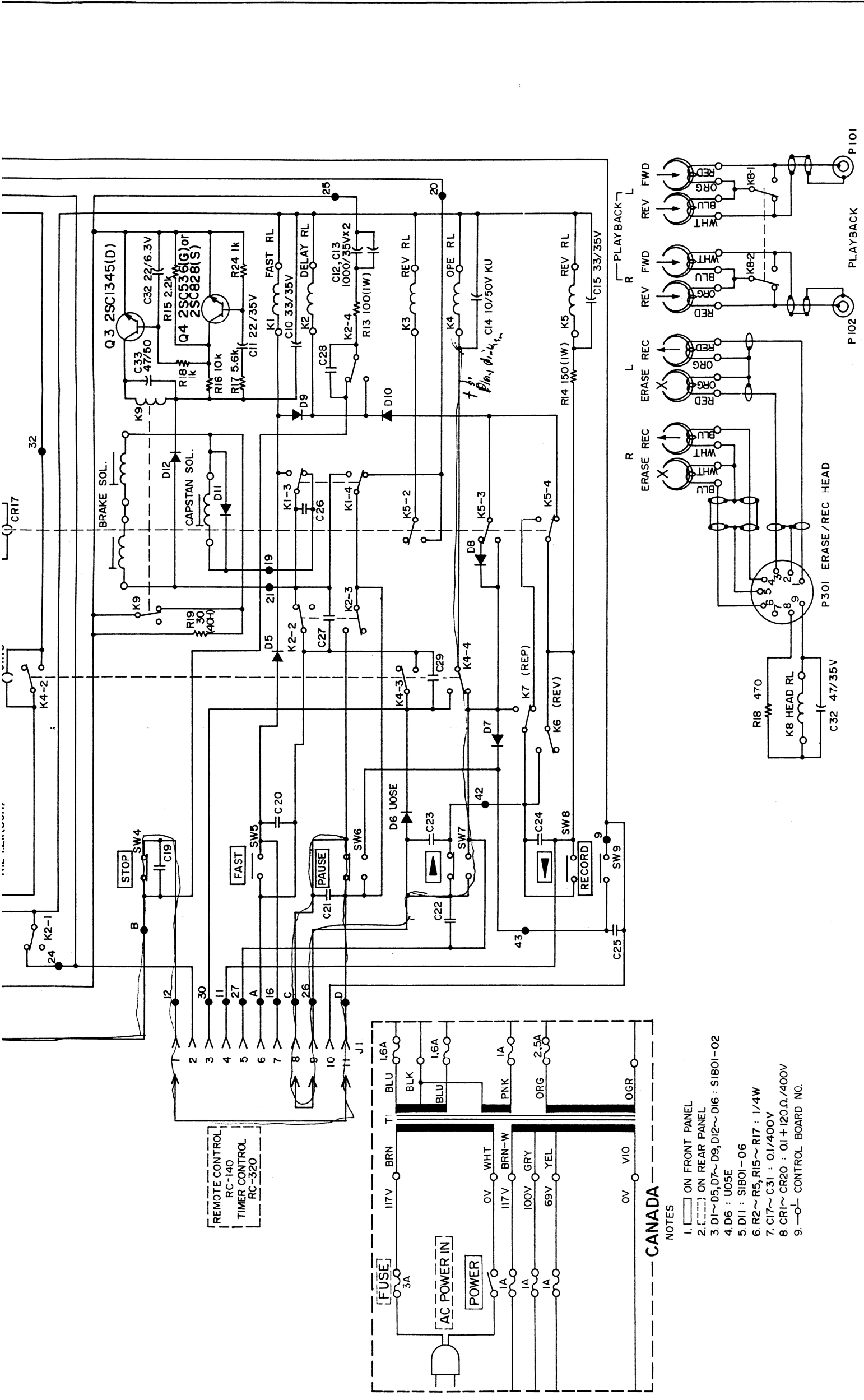
K9

K5-1

K4-2

K4-1

K3-4



TAPE TRANSPORT

MODEL NO. **A-4300SX** SHEET NO. **1**

TEAC CORPORATION

REVISION	DATE	CHANGE NO.
6		
5		
4		
3		
2	07.76	
1	06.76	

NOTES

- ALL RESISTORS ARE 1/4 WATT, 5%, UNLESS MARKED OTHERWISE. RESISTOR VALUES ARE IN OHMS (k=1,000 OHMS, M=1,000,000 OHMS).
- ALL CAPACITOR VALUES ARE IN MICROFARADS (p=PICOFARADS).

NOTES

- ON FRONT PANEL
- ON REAR PANEL
- D1~D5, D7~D9, D12~D16 : S1B01-02
- D6 : U05E
- D11 : S1B01-06
- R2~R5, R15~R17 : 1/4W
- C17~C31 : 0.1/400V
- CR1~CR20 : 01 + 120Ω/400V
- CONTROL BOARD NO.

CANADA