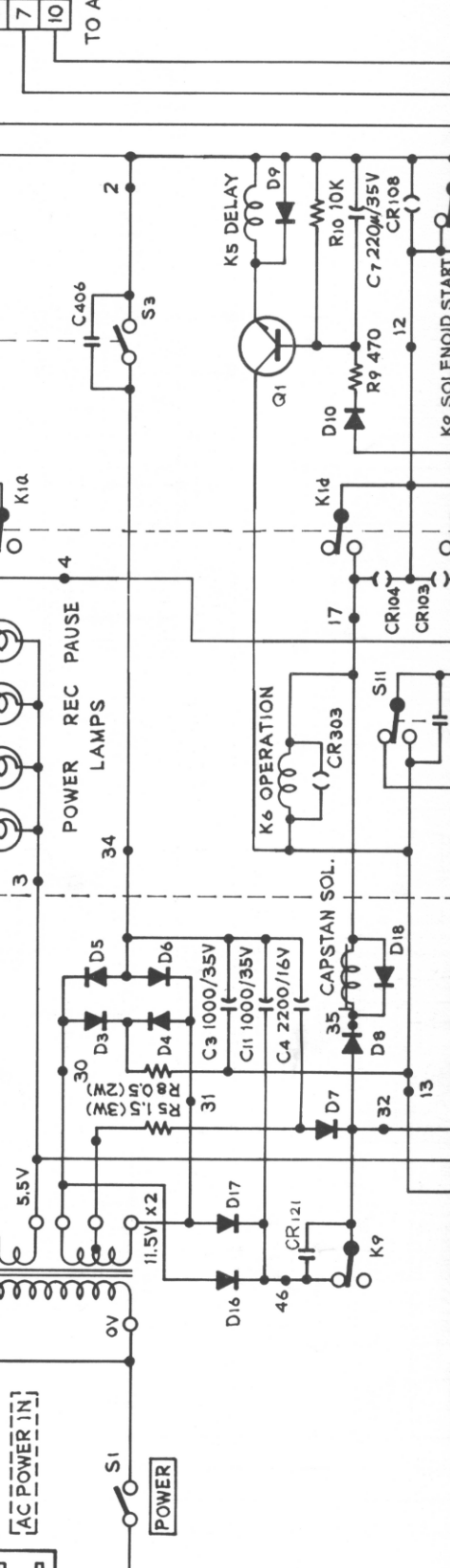
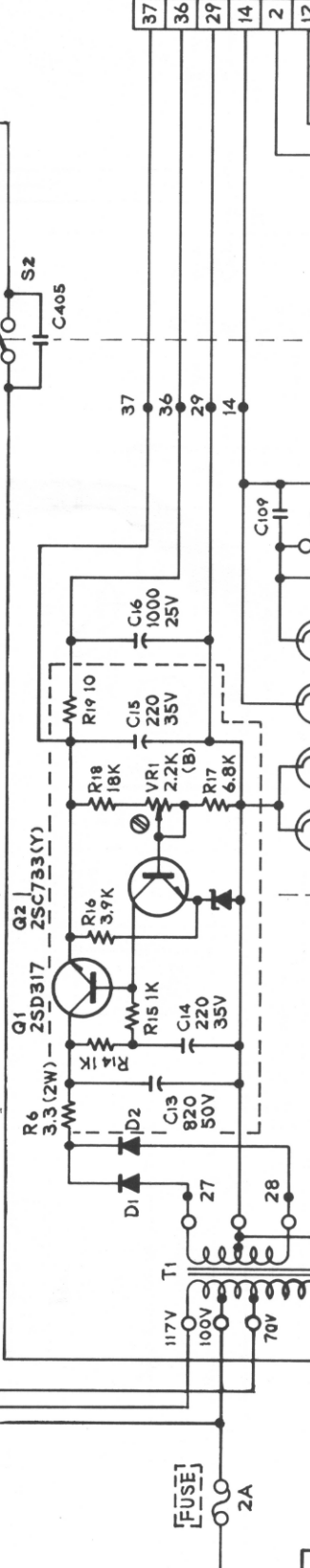
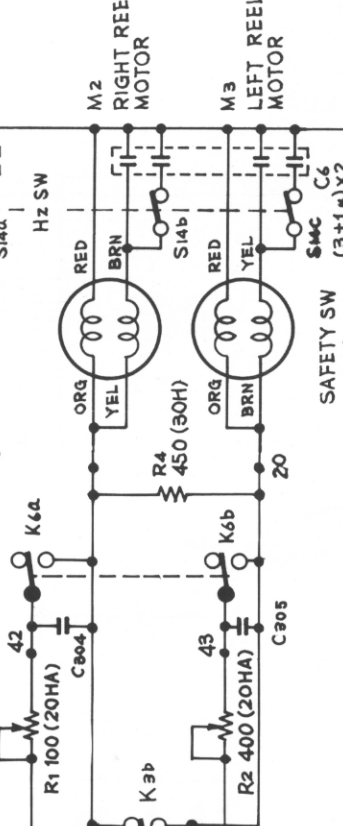
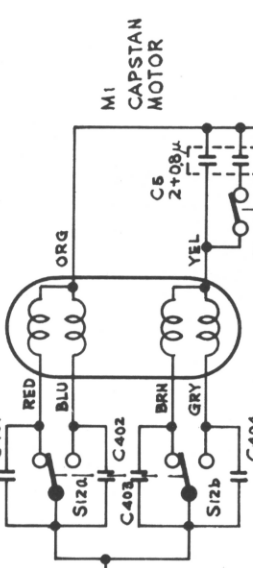
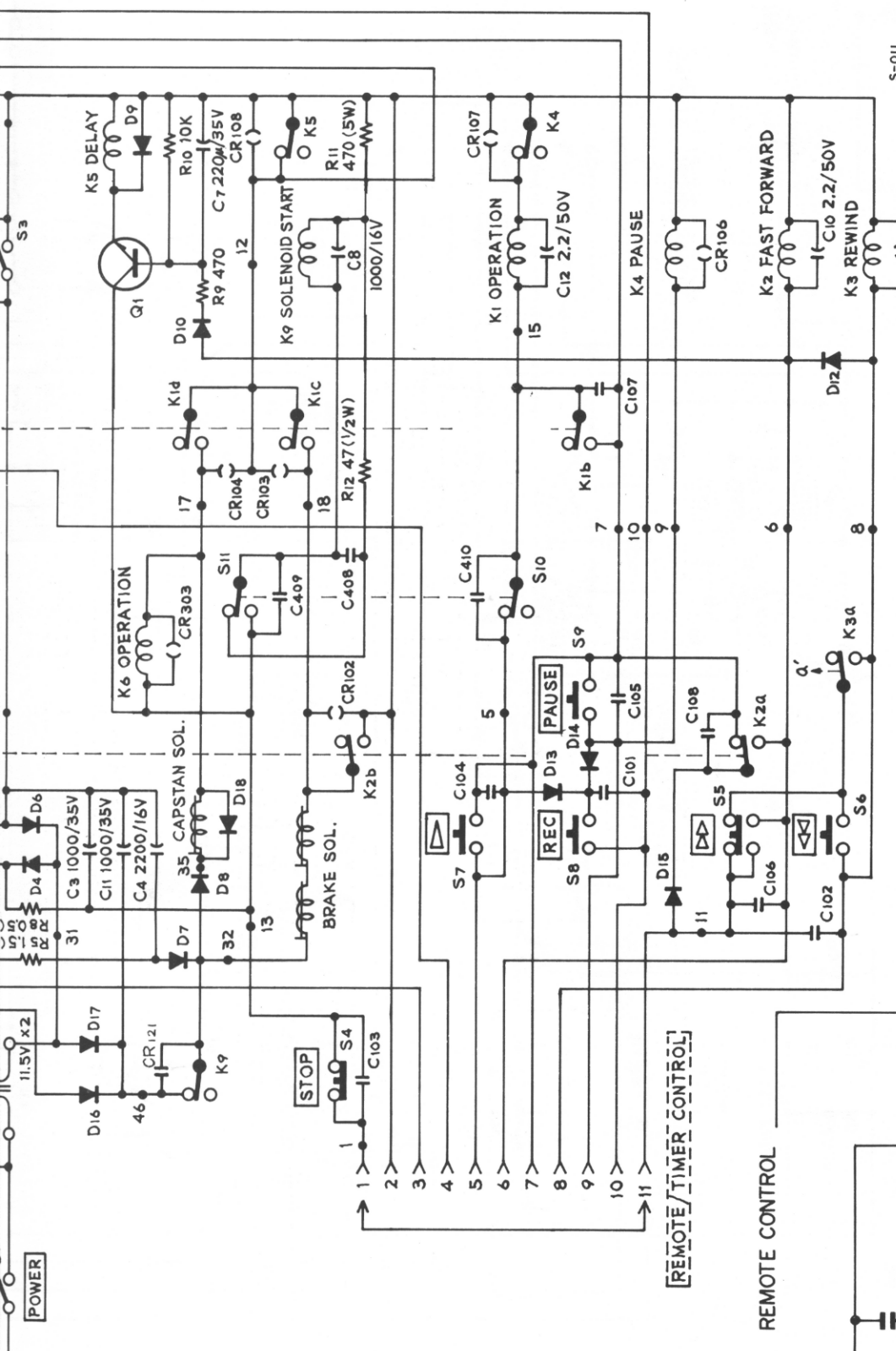


TAPE SPEED H L

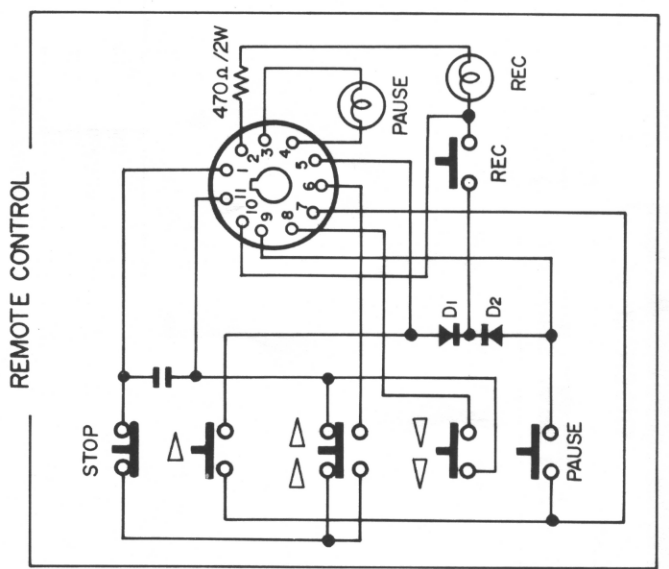




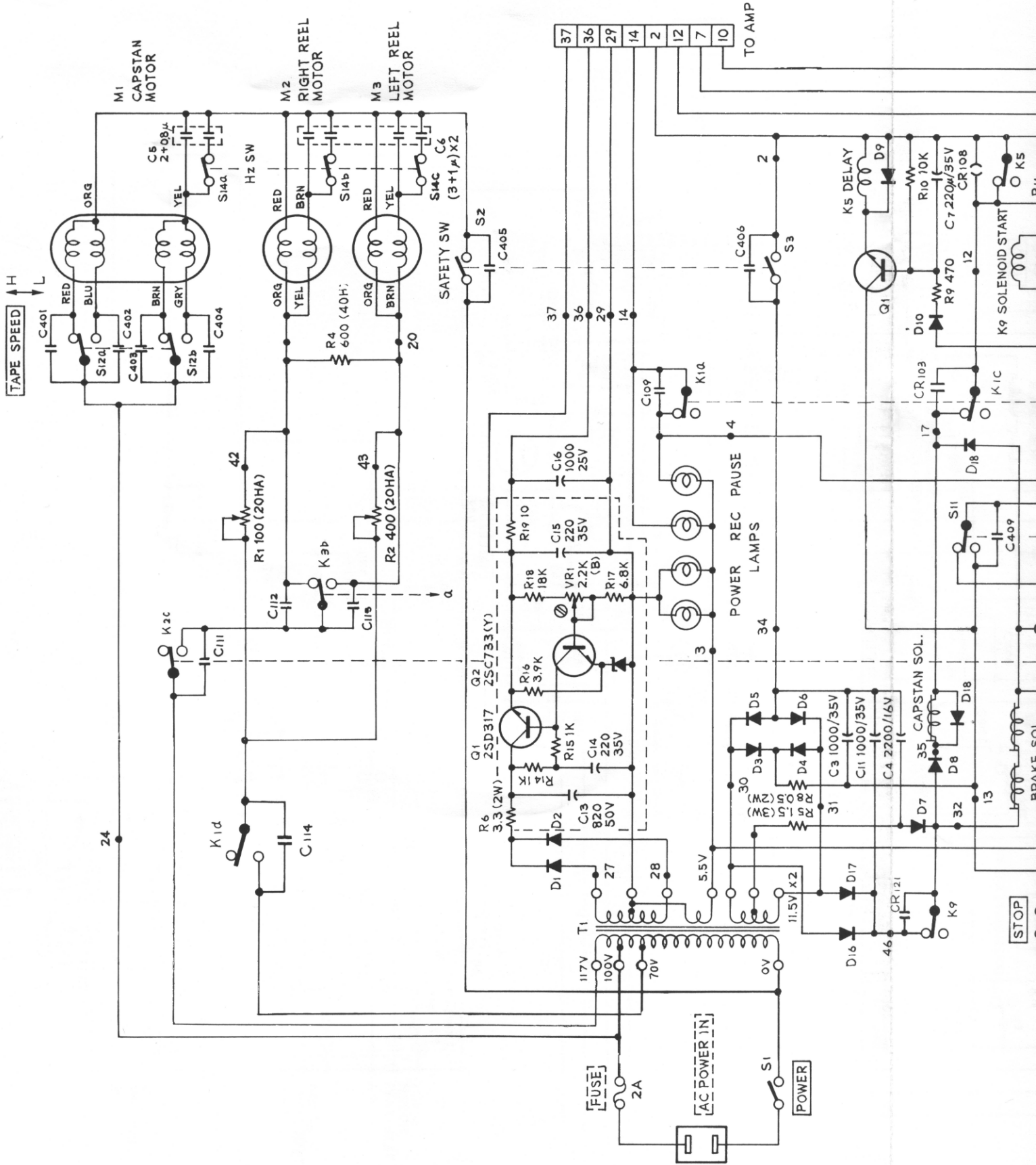
NOTES

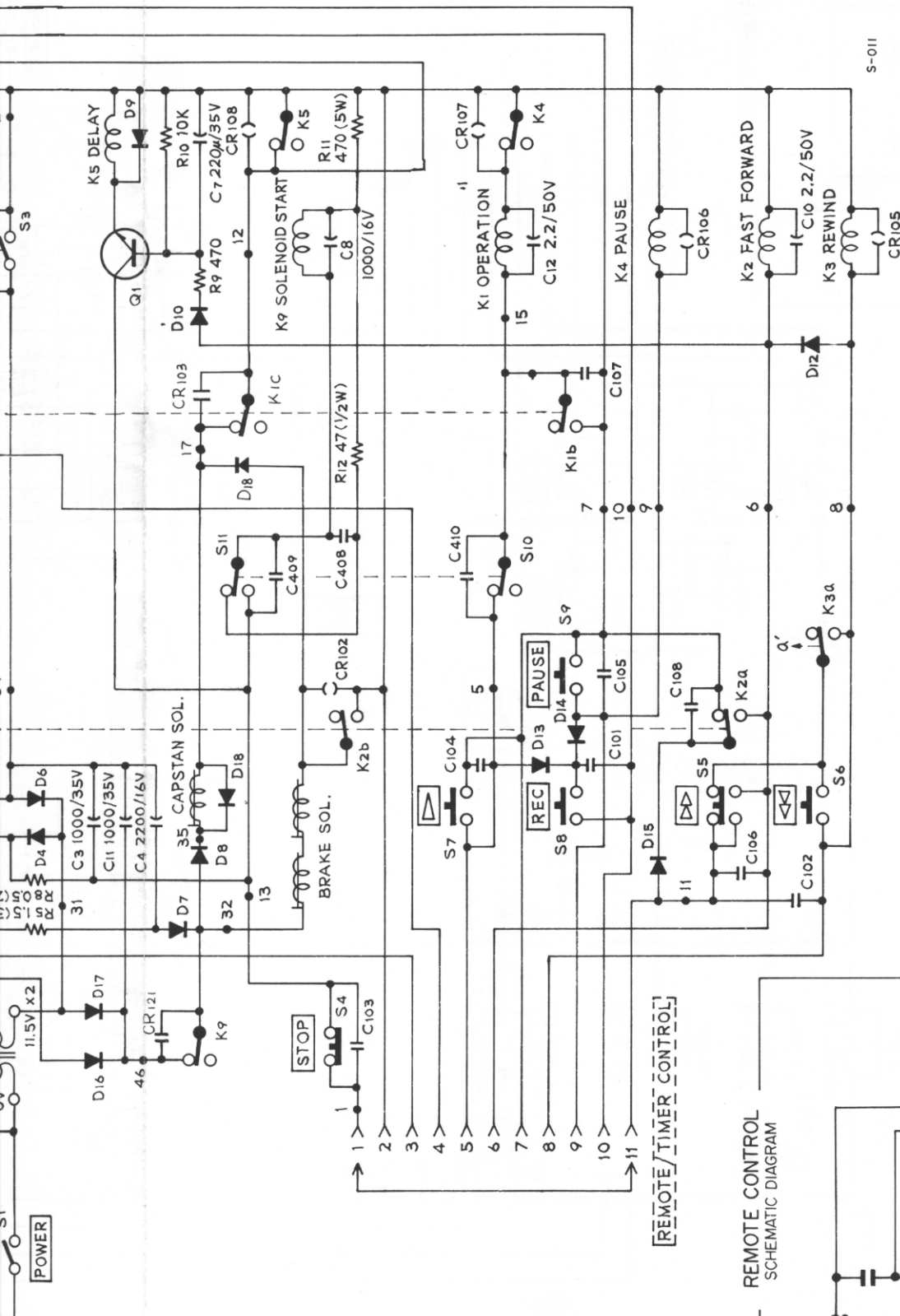
All relays shown not energized (stop mode)  
 TAPE SPEED switch shown in the HIGH position  
 Frequency conversion switch shown in the 50 Hz position

- On front panel
- On rear panel
- ⤴ : Spark killer 0.1+120/400W
- ⊖ : Screwdriver adjustment
- ⊖ : 0.1/400W
- D1~6, D9~14, D16~17 : SIB01-02
- D7, D8 : SIB01-06

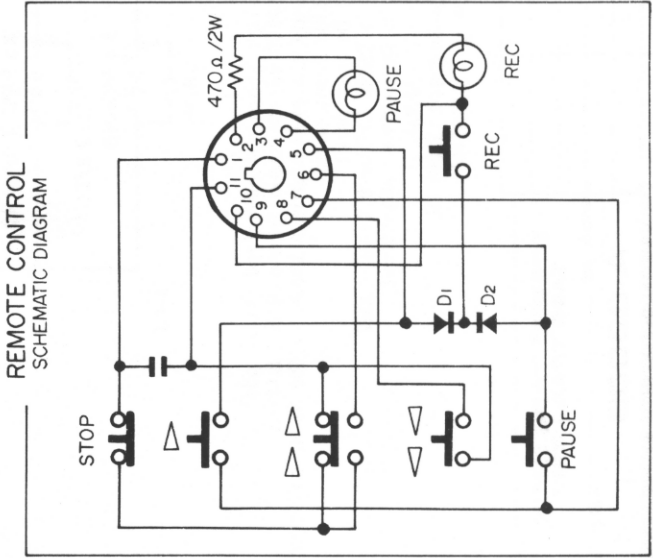


| REVISION | DATE | CHANGE NO. |
|----------|------|------------|
| 6        |      |            |
| 5        |      |            |
| 4        |      |            |
| 3        |      |            |
| 2        |      |            |
| 1        |      |            |





S-011



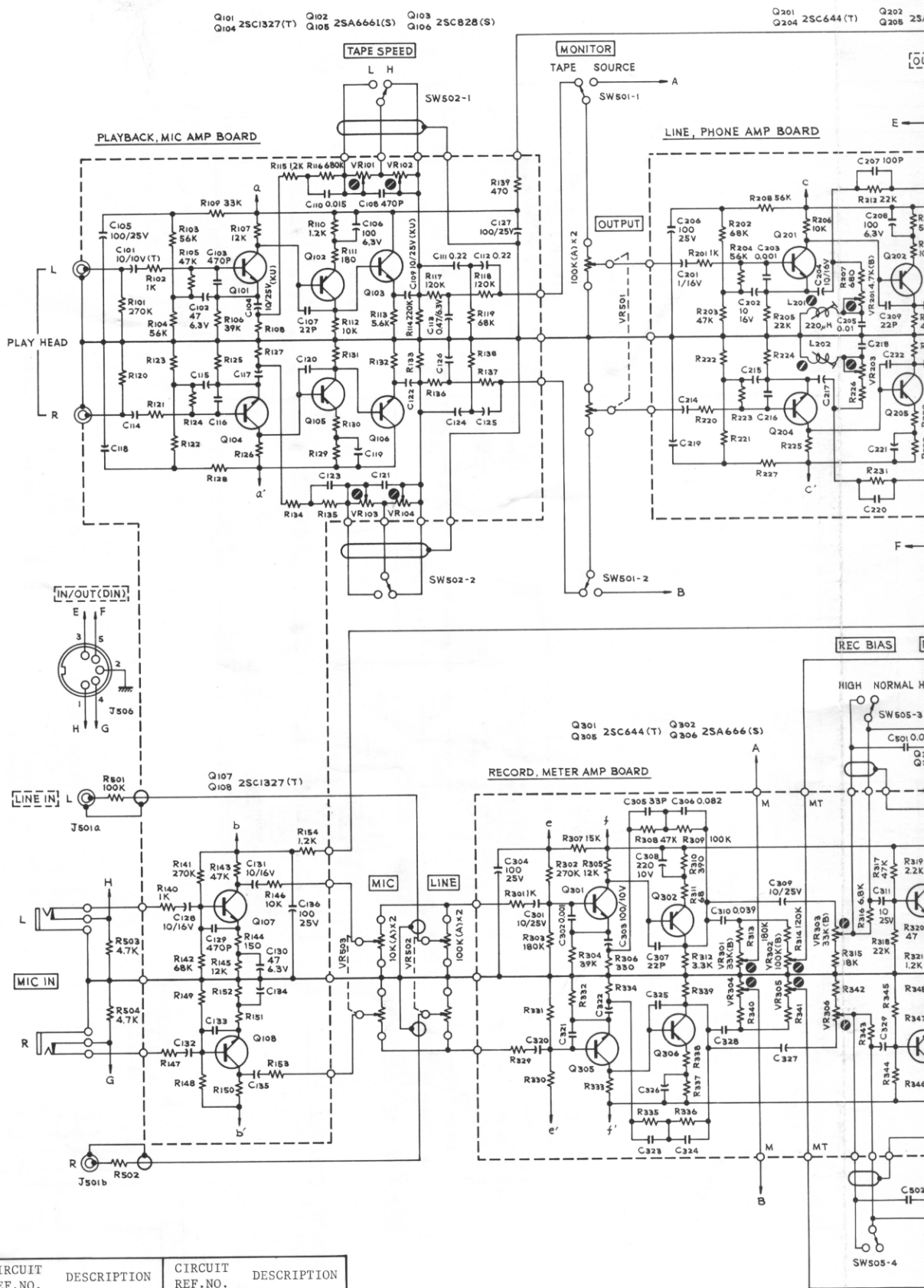
NOTES  
 All relays shown not energized (stop mode)  
 TAPE SPEED switch shown in the HIGH position  
 Frequency conversion switch shown in the 50 Hz position  
 [ ] On front panel  
 [ ] On rear panel  
 ( ) : Spark killer 0.1+120/400W  
 —|— : 0.1/400W  
 D1-6, D9-14, D16-17 : SIB01-02  
 D7, D8 : SIB01-06

AFTER SERIAL NO. 9681

| REVISION | DATE | CHANGE NO. |
|----------|------|------------|
| 6        |      |            |
| 5        |      |            |
| 4        |      |            |
| 3        |      |            |
| 2        |      |            |
| 1        |      | E-605      |

STEREO TAPE DECK  
 TAPE TRANSPORT  
 MODEL NO. A-2300S  
 SHEET NO. TEAC CORPORATION

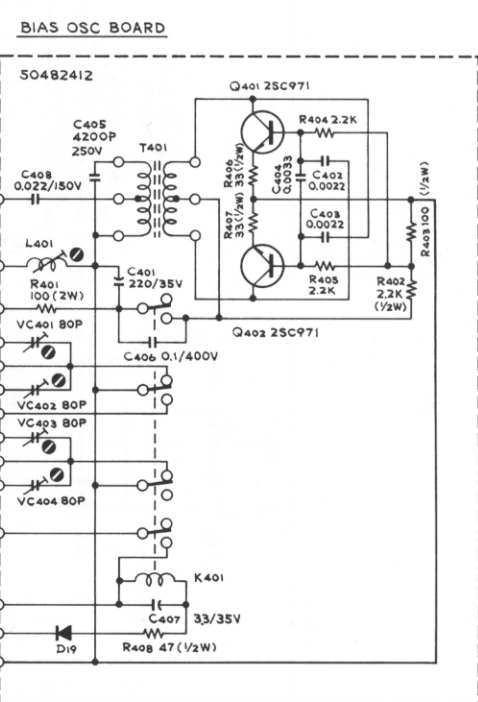
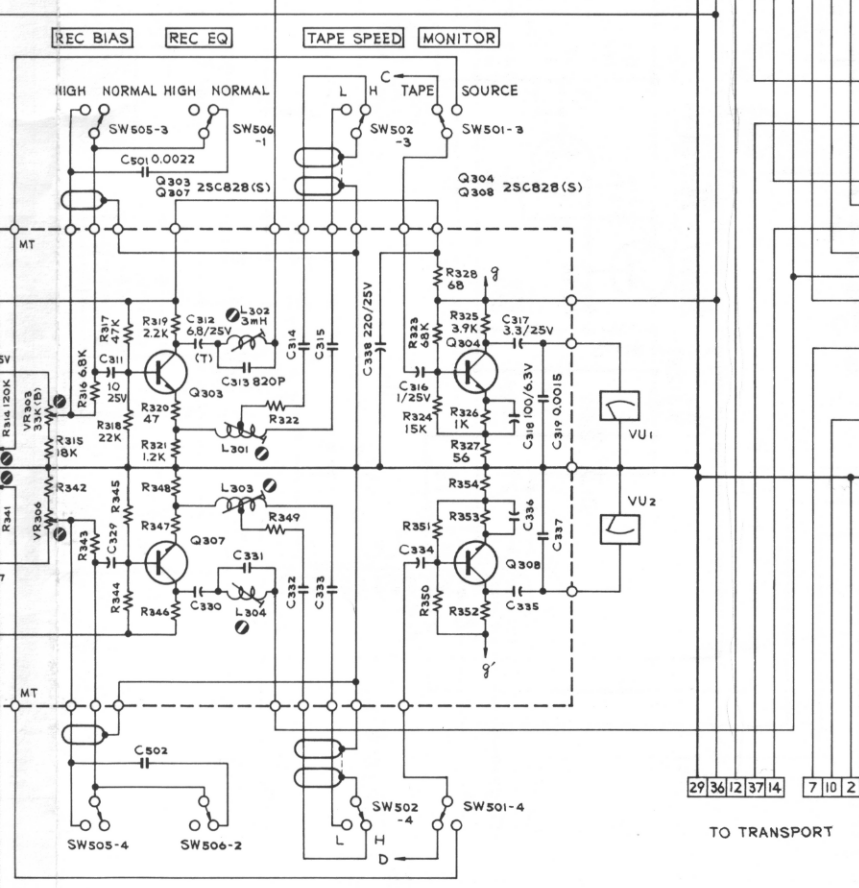
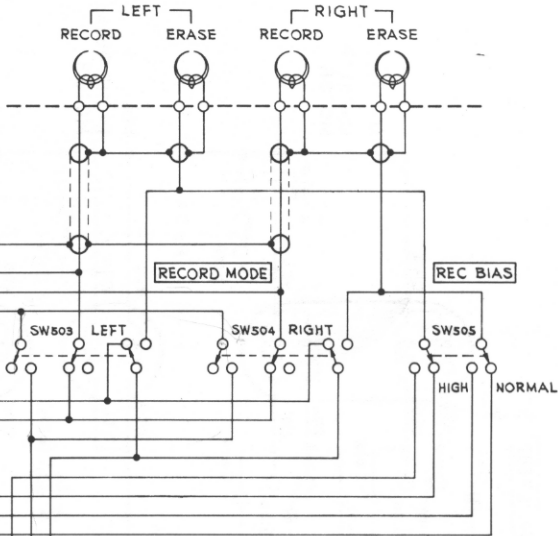
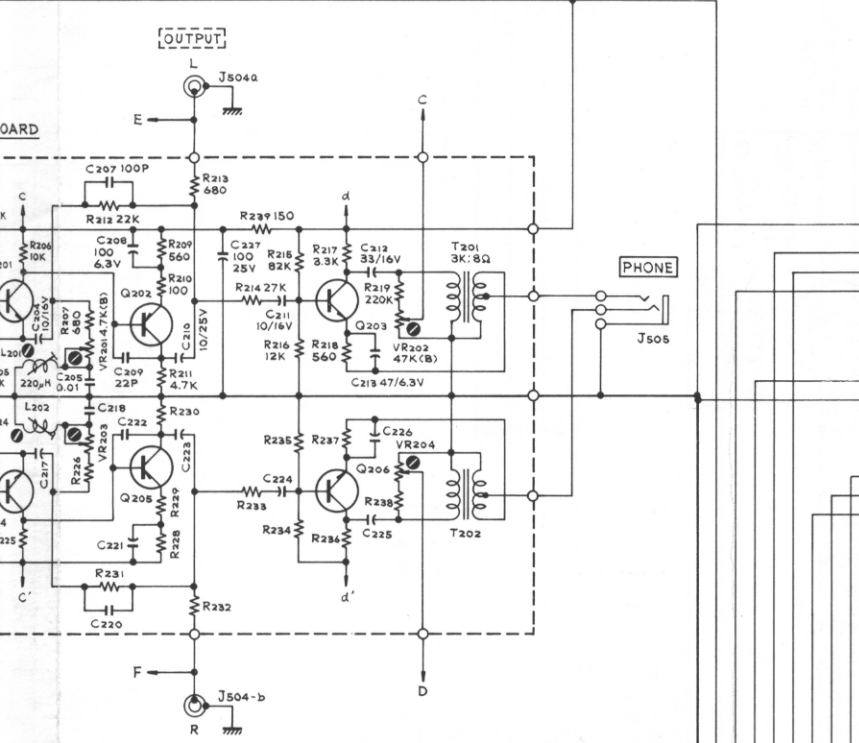
| CIRCUIT REF. No. | MODELS     |             | CIRCUIT REF. No. | MODELS     |             | CIRCUIT REF. No. | MODELS     |                           | CIRCUIT REF. No. | MODELS     |                           |
|------------------|------------|-------------|------------------|------------|-------------|------------------|------------|---------------------------|------------------|------------|---------------------------|
|                  | SERIAL No. | A-2300S(2T) |                  | SERIAL No. | A-3300S(2T) |                  | SERIAL No. | A-2300S(4T) / A-3300S(4T) |                  | SERIAL No. | A-3300S(4T) / A-3300S(4T) |
| R108/127         | # 2301     | A-2300S(2T) | 560Ω             | # 15881    | A-3300S(2T) | 560Ω             | # 12381    | A-2300S(4T) / A-3300S(4T) | 560Ω             | # 10481    | A-2300S(4T) / A-3300S(4T) |
| R116/135         |            |             | 680KΩ            |            |             | 680KΩ            |            |                           | 680KΩ            |            |                           |
| R117/136         |            |             | 120KΩ            |            |             | 120KΩ            |            |                           | 120KΩ            |            |                           |
| R118/137         |            |             | 120KΩ            |            |             | 120KΩ            |            |                           | 120KΩ            |            |                           |
| R111/124         |            |             | 0.22μF           |            |             | 0.22μF           |            |                           | 0.22μF           |            |                           |
| C112/125         |            |             | 0.22μF           |            |             | 0.22μF           |            |                           | 0.22μF           |            |                           |
| V101/103         |            |             | 6.8K (B)         |            |             | 6.8K (B)         |            |                           | 6.8K (B)         |            |                           |
| V102/104         |            |             | 6.8K (B)         |            |             | 6.8K (B)         |            |                           | 6.8K (B)         |            |                           |
| R315/342         |            |             | 18KΩ             |            |             | 18KΩ             |            |                           | 18KΩ             |            |                           |
| R322/349         |            |             | Jumper           |            |             | Jumper           |            |                           | Jumper           |            |                           |
| C306/324         |            |             | 0.082μF          |            |             | 0.082μF          |            |                           | 0.082μF          |            |                           |
| C310/328         |            |             | 0.039μF          |            |             | 0.039μF          |            |                           | 0.039μF          |            |                           |
| C314/332         |            |             | 0.022μF          |            |             | 0.022μF          |            |                           | 0.022μF          |            |                           |
| C315/333         |            |             | 0.056μF          |            |             | 0.056μF          |            |                           | 0.056μF          |            |                           |



| CIRCUIT REF. NO. | DESCRIPTION | CIRCUIT REF. NO. | DESCRIPTION |
|------------------|-------------|------------------|-------------|
| Q101/104         | 2SC1327(T)  | Q203/206         | 2SC828(S)   |
| Q102/105         | 2SA6661(S)  | Q301/305         | 2SC644(T)   |
| Q103/106         | 2SC828(S)   | Q302/306         | 2SA666(S)   |
| Q107/108         | 2SC1327(T)  | Q303/307         | 2SC828(S)   |
| Q201/204         | 2SC644(T)   | Q304/308         | 2SC828(S)   |
| Q202/205         | 2SA564(R)   | Q401/402         | 2SC971(Y)   |

NOTES  
# : A2300S only

Q101 25C644 (T)  
 Q202 25A564 (R)  
 Q203 25C828 (S)

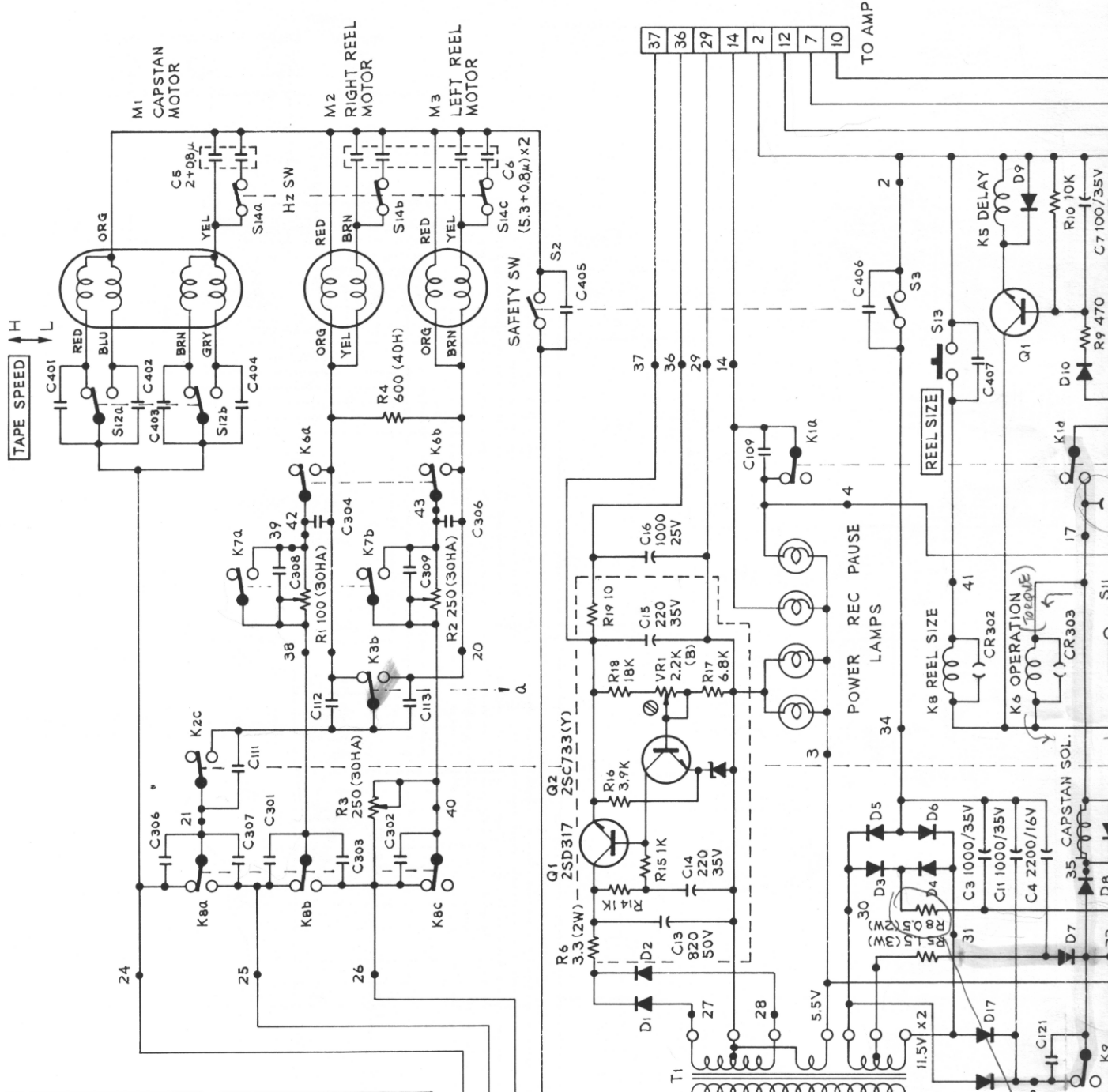
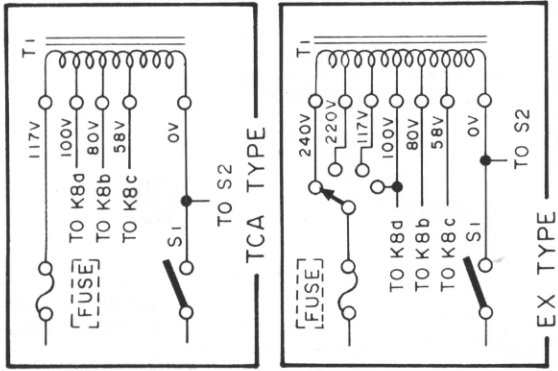


NOTES  
 Schematic diagram shown in the PLAYBACK mode  
 Unless otherwise specified  
 All resistors values in ohms, 1/4 watt, k=1,000 ohms  
 All capacitors values in microfarads  
 Ⓞ : Screwdriver adjustment  
 □ : On front panel, [ ] : on rear panel  
 REC BIAS and REC EQ switch shown in the NORMAL position  
 MONITOR switch shown in the TAPE position  
 TAPE SPEED switch shown in the HIGH position

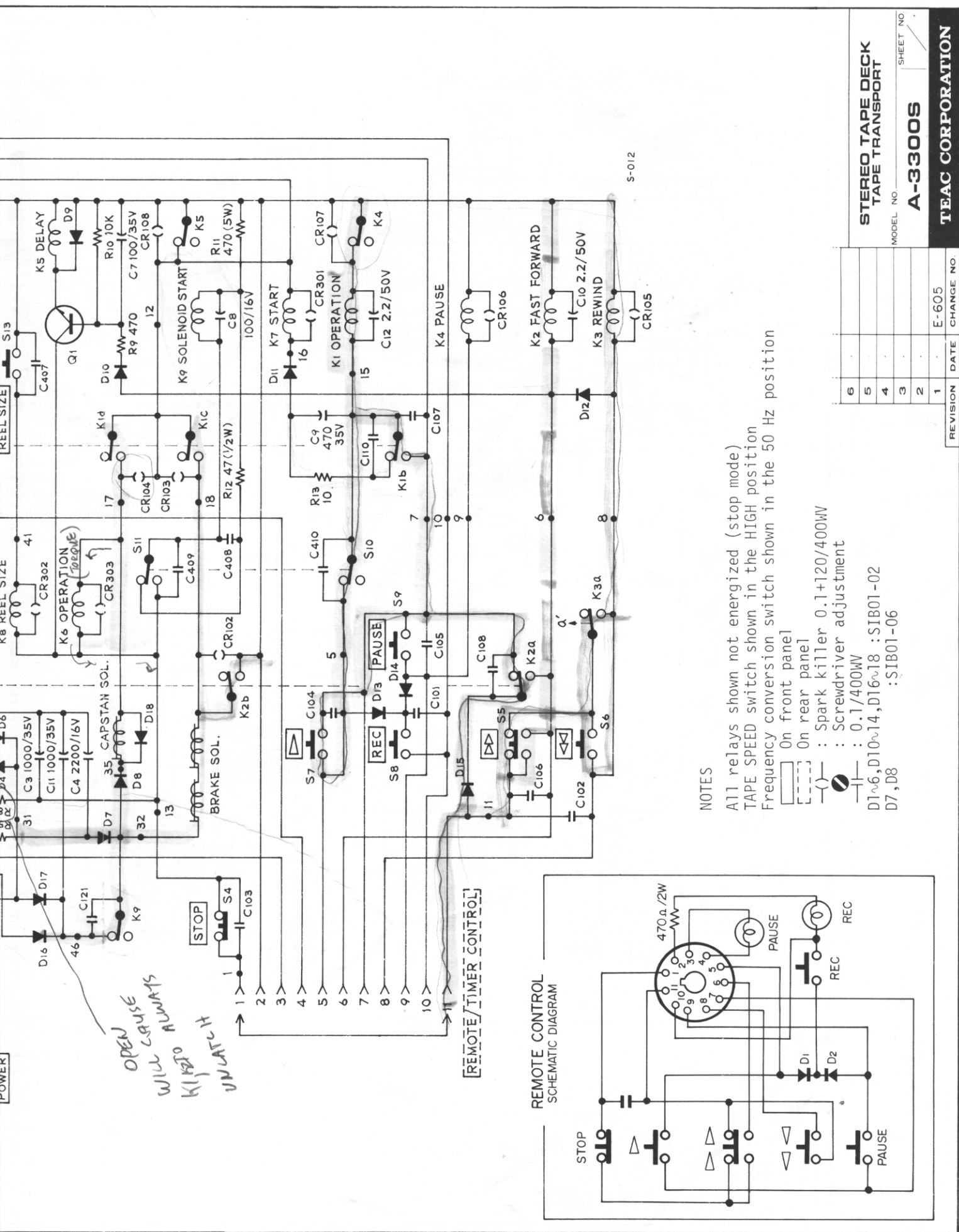
TO TRANSPORT

|          |      |            |  |
|----------|------|------------|--|
| 6        |      |            |  |
| 5        |      |            |  |
| 4        |      |            |  |
| 3        |      |            |  |
| 2        |      |            |  |
| 1        |      |            |  |
| REVISION | DATE | CHANGE NO. |  |

**STEREO TAPE DECK  
 PREAMPLIFIER**  
 MODEL NO. **A-2300S**  
**A-3300S**  
**TEAC CORPORATION**



OPEN FUSE

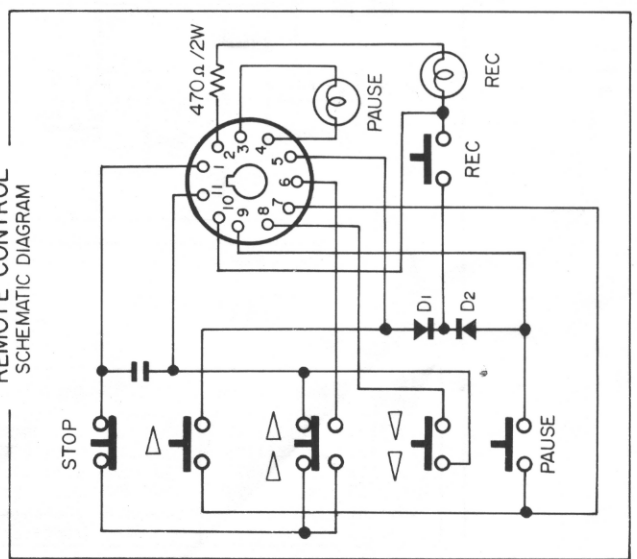


OPEN  
WILL ALWAYS  
K1 REWIND  
UNPLUG-2-H

**NOTES**

- All relays shown not energized (stop mode)
- TAPE SPEED switch shown in the HIGH position
- Frequency conversion switch shown in the 50 Hz position
- On front panel
- On rear panel
- : Spark killer 0.1+120/400W
- : Screwdriver adjustment
- : 0.1/400W
- D1<sup>6</sup>, D10<sup>14</sup>, D16<sup>18</sup> : SIB01-02
- D7, D8 : SIB01-06

**REMOTE CONTROL  
SCHEMATIC DIAGRAM**



| REVISION | DATE | CHANGE NO. |
|----------|------|------------|
| 6        |      |            |
| 5        |      |            |
| 4        |      |            |
| 3        |      |            |
| 2        |      |            |
| 1        |      | E-605      |

**STEREO TAPE DECK  
TAPE TRANSPORT**

MODEL NO. **A-3300S** SHEET NO. **S-012**

**TEAC CORPORATION**