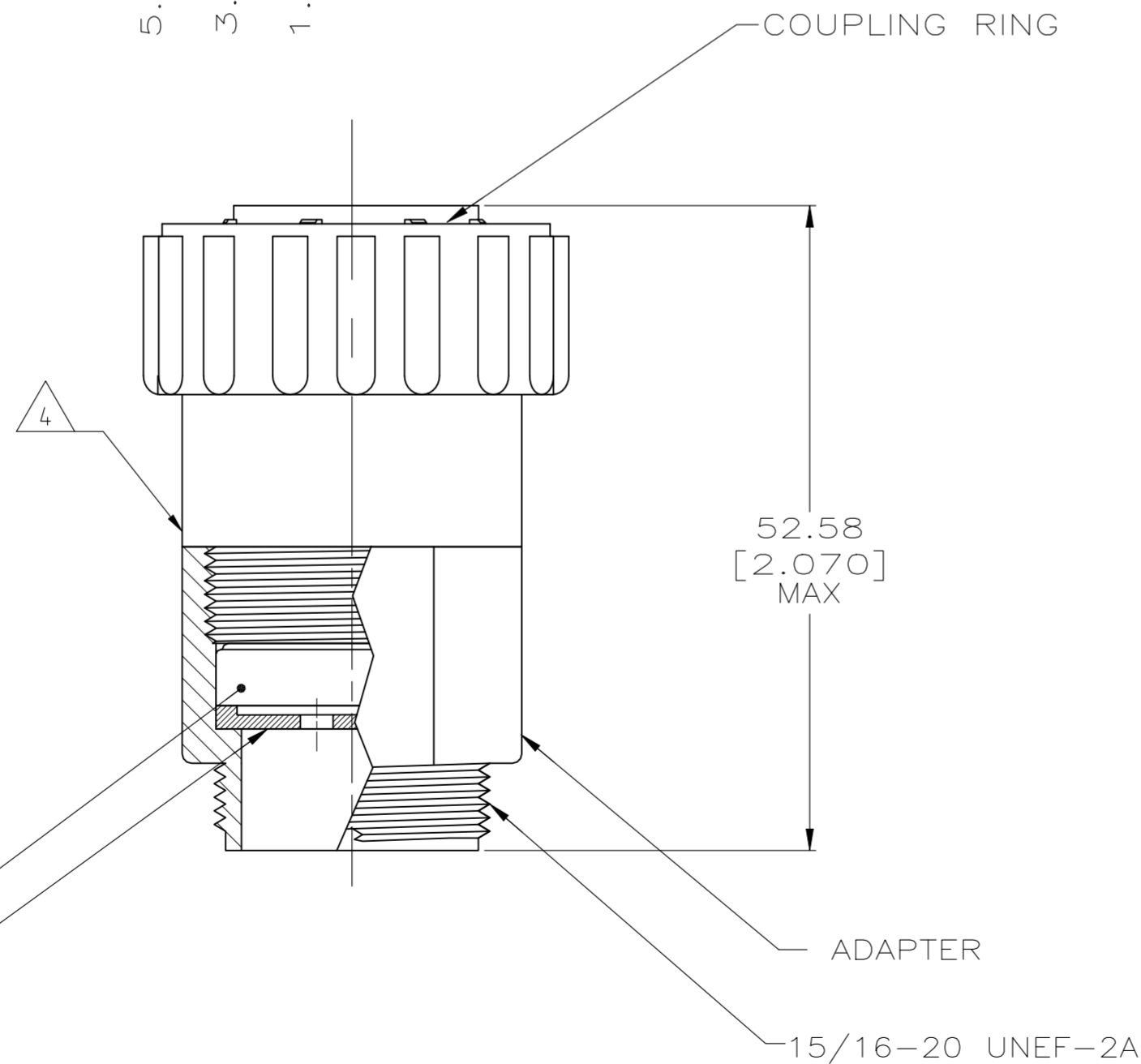
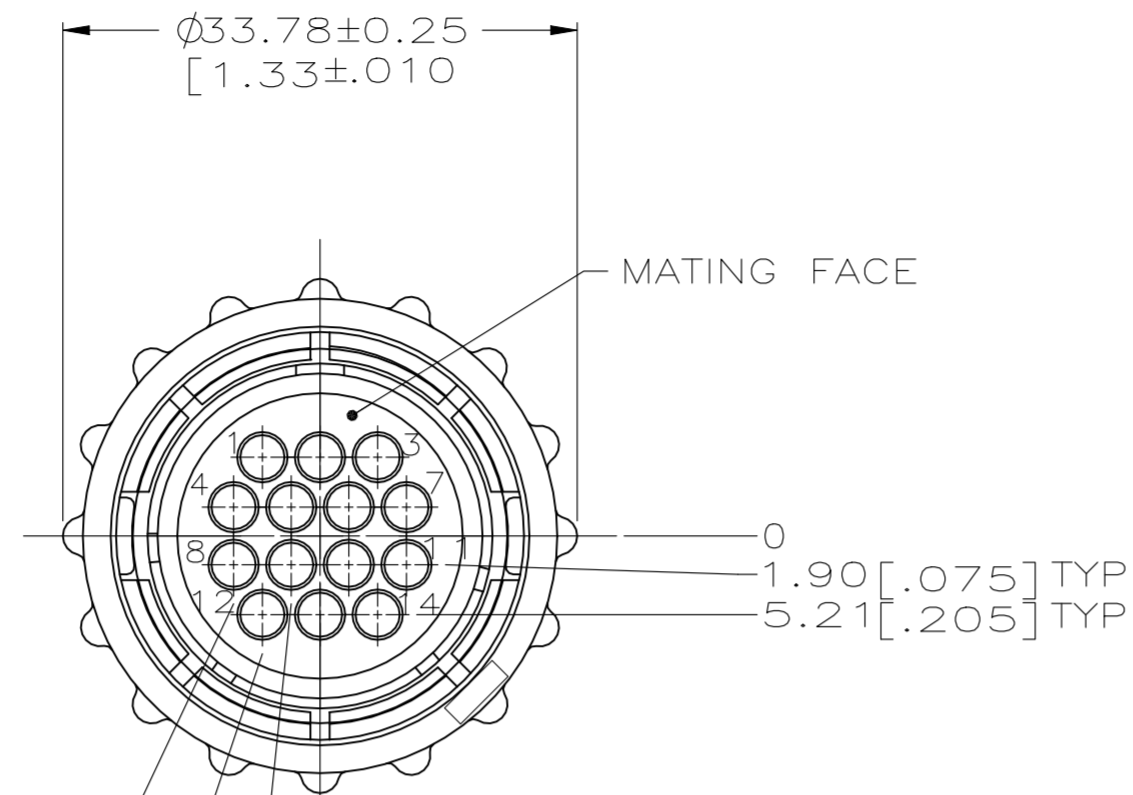


REVISIONS					
P	LTR	DESCRIPTION	DATE	DWN	APVD
E		REVISED PER ECO-21-006945	28OCT2021	RK	MZ

- 1 HOUSING, ADAPTER AND PRESSURE PLATE: NYLON, BLACK.
WIRE ENTRY SEAL: ELASTOMER, RED-IRON OXIDE.
PERIPHERAL SEAL: ELASTOMER, GREY.
COUPLING RING: POLYPHENYLENE, BLACK.
- 2 CONNECTOR WILL ACCEPT (14) MULTIMATE PIN CONTACTS.
- 3 METAL COUPLING RING.
- 4 TE LOGO AND 206044-1 LOCATED ANYWHERE ON THIS SURFACE



3 OBSOLETE	796271-2
	796271-1
	PART NUMBER

THIS DRAWING IS A CONTROLLED DOCUMENT.		DWN L. McEACHIN 27-JAN-2000	TE TE Connectivity	
DIMENSIONS: mm		CHK K. DOWHOWER 27-JAN-2000		
TOLERANCES UNLESS OTHERWISE SPECIFIED:		APVD K. DOWHOWER 27-JAN-2000	NAME ASSEMBLY, PLUG, REV SEX, 17-14, SEALED	
0 PLC ± -	1 PLC ± -	PRODUCT SPEC -	SIZE A2	CAGE CODE 00779
2 PLC ± -	3 PLC ± -	APPLICATION SPEC -	DRAWING NO C=796271	RESTRICTED TO -
4 PLC ± -	ANGLES ± -	WEIGHT -	SCALE 2:1	SHEET 1 of 1
MATERIAL	FINISH	CUSTOMER DRAWING	REV E	

Mouser Electronics

Authorized Distributor

Click to View Pricing, Inventory, Delivery & Lifecycle Information:

[TE Connectivity:](#)

[796271-1](#)