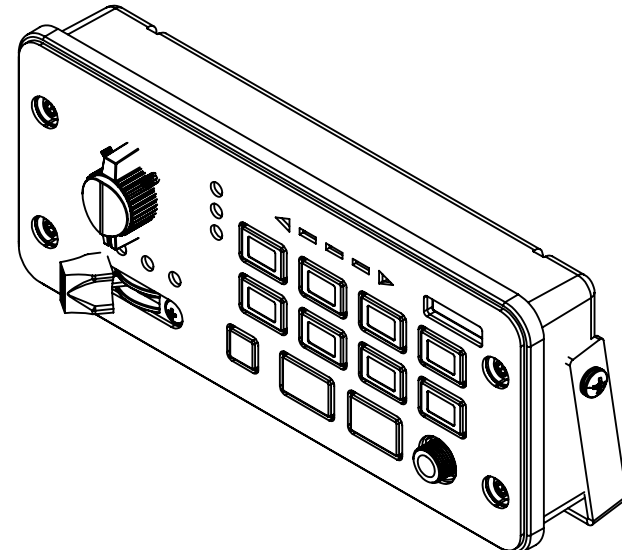
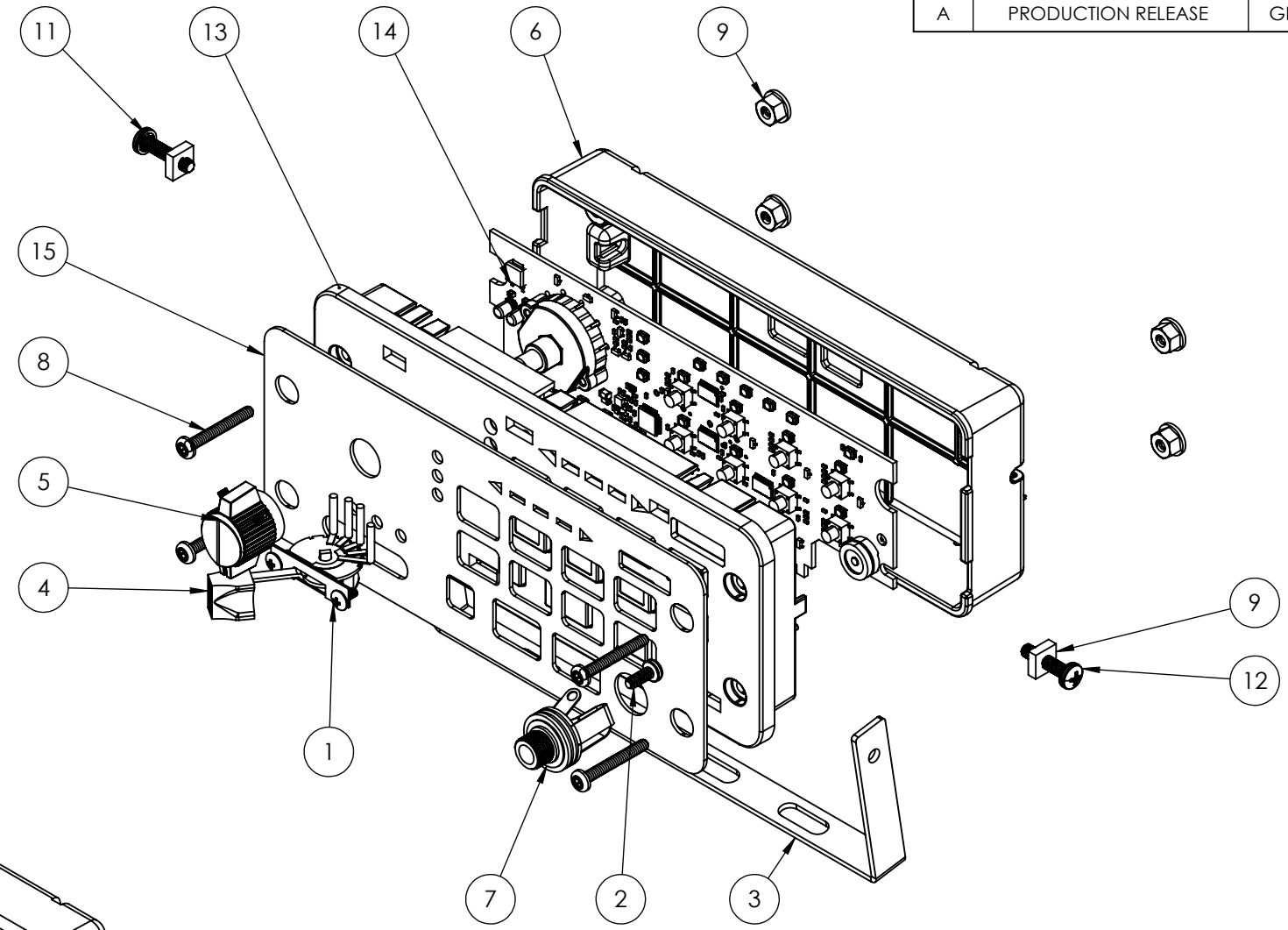


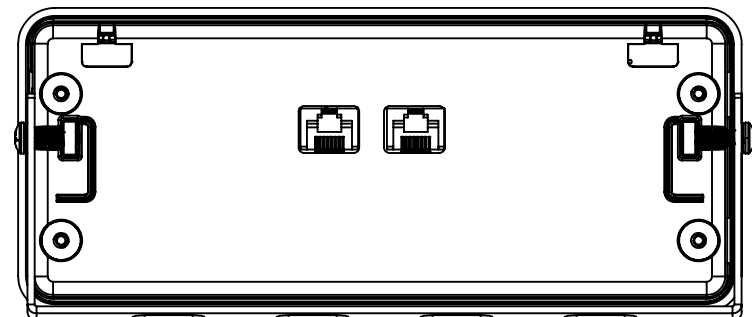
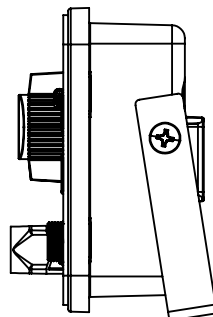
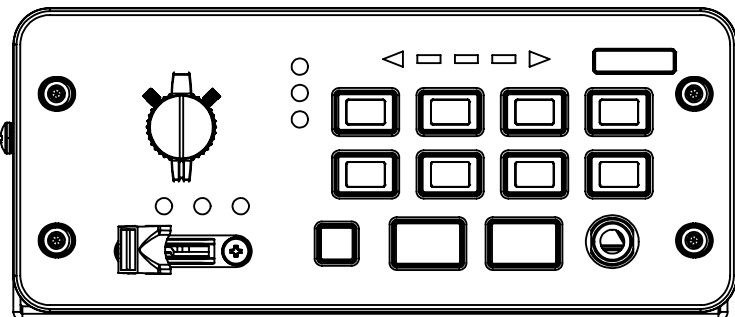
ITEM NO.	PART NUMBER	Description	QTY.
1	002HD276	BOLT - #4-40 X 1/4" TRUSS PHL SS	2
2	002SC033	#6 X .375" PLASTITE TORX PAN HD SS	1
3	002BR510	UNICOR R-SIREN BAIL BRACKET	2
4	002KN002	KNOB-LEVER SWTCH WITH SCREW CLEAR	1
5	002KN012	KNOB-ROUND SKIRTED 1/4" FLAT-SHAFT	1
6	002HG666	HOUSING - REMOTE PANEL	1
7	001HNS06	HARNESS ASSY, 1/4" MIC JACK	1
8	002SC185	SCREW - 6-32X1 1/16" PN HD TORX BLK	4
9	002NU024	FLANGE NUT 6-32 THREAD	4
9	002NU026	SQUARE NUT, #8-32, 1/8" X 11/32"	2
11	002LW401	M4 INTERNAL STAR WASHER	2
12	002SC186	#8-32, 3/4" PAN HEAD PHILLIPS SCREW	2
13	002SA017	BUTTON PANEL ASSY - SIREN - ROTARY	1
14	00400606	PCB ASSY - 400 SER RSR CTRL PANEL	1
15	002LA1067	LABEL - FACE, 500 SIREN W/ KNOB	1

REVISION LOG				
REV	DESCRIPTION	INITIALS	ECN	DATE
A	PRODUCTION RELEASE	GRP	5672	02/16/2021



PSRN5CTRL2

CHARACTERISTIC NUMBERS		
LAST USED	DELETED	KEY



SoundOff

PROPRIETARY AND CONFIDENTIAL
THE INFORMATION CONTAINED IN THIS DRAWING IS THE SOLE PROPERTY OF SOUNDOFF SIGNAL. ANY REPRODUCTION IN PART OR AS A WHOLE WITHOUT THE WRITTEN PERMISSION OF SOUNDOFF SIGNAL IS PROHIBITED.

TOLERANCES EXCEPT AS NOTED
 .X ± .020
 .XX ± .012
 .XXX ± .006
 ANGLES ± .5°

GD&T TO FOLLOW
 ASME Y14.5M-2009

THIRD ANGLE PROJECTION

DRAWING SIZE: **B**
 DO NOT SCALE

CAD DIMENSIONS ARE BASIC UNLESS OTHERWISE SPECIFIED

PRIMARY DIMS: **INCH**
 DUAL DIMS: [mm]

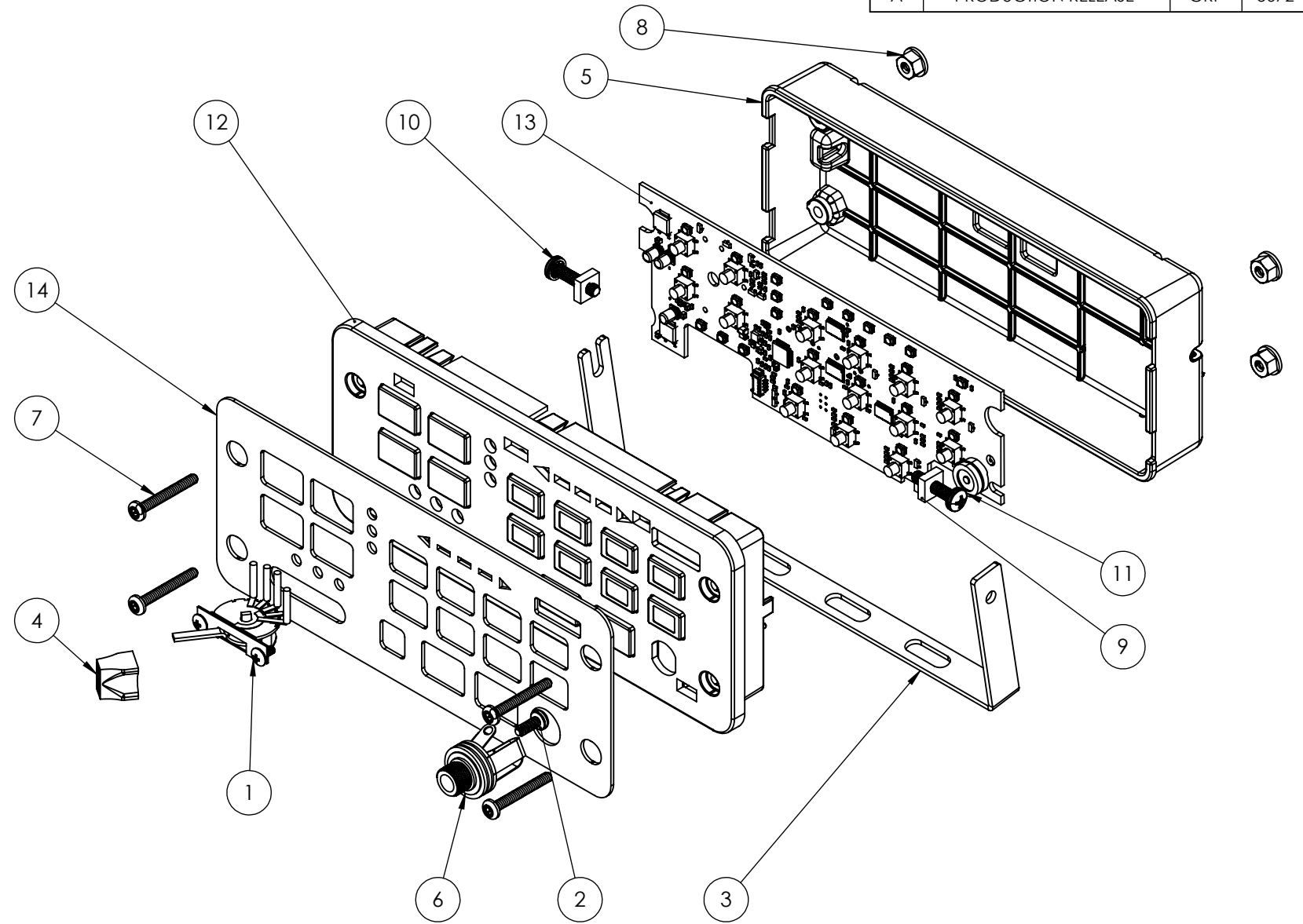
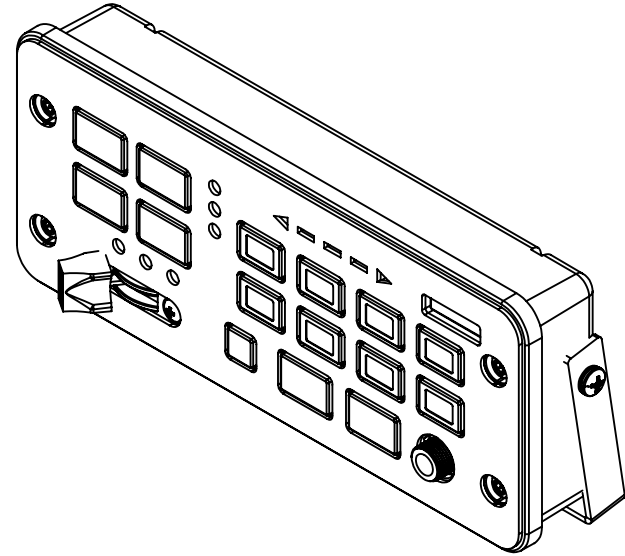
MATERIAL:
ASSEMBLY AS SHOWN

DESCRIPTION: 500 SERIES FACE PANEL CTRL ROTARY REPLACEMENT

DRAWING NO: **PSRN5CTRLX** REVISION:

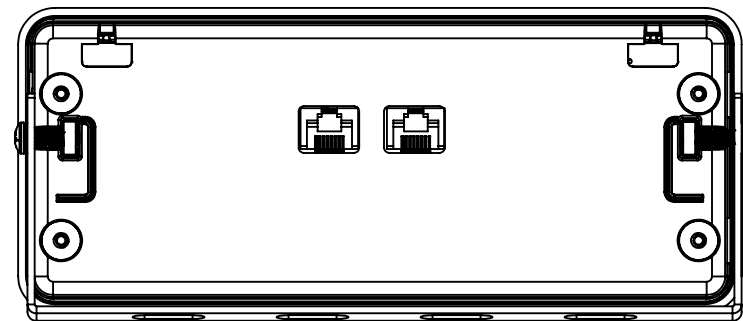
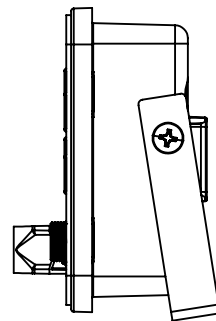
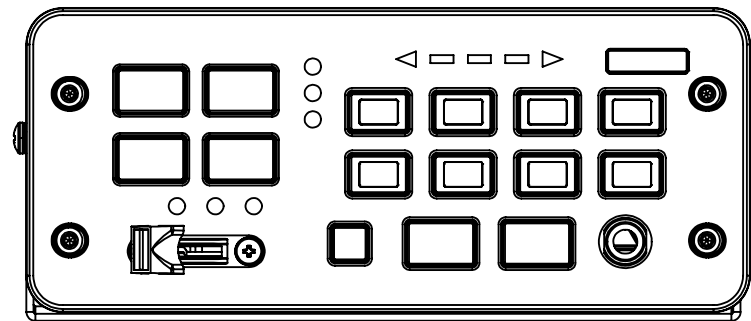
ITEM NO.	PART NUMBER	Description	QTY.
1	002HD276	BOLT - #4-40 X 1/4" TRUSS PHL SS	2
2	002SC033	#6 X .375" PLASTITE TORX PAN HD SS	1
3	002BR510	UNICOR R-SIREN BAIL BRACKET	2
4	002KN002	KNOB-LEVER SWTCH WITH SCREW CLEAR	1
5	002HG666	HOUSING - REMOTE PANEL	1
6	001HNS06	HARNESS ASSY, 1/4" MIC JACK	1
7	002SC185	SCREW - 6-32X1 1/16" PN HD TORX BLK	4
8	002NU024	FLANGE NUT 6-32 THREAD	4
9	002NU026	SQUARE NUT, #8-32, 1/8" X 11/32"	2
10	002LW401	M4 INTERNAL STAR WASHER	2
11	002SC186	#8-32, 3/4" PAN HEAD PHILLIPS SCREW	2
12	002SA002	BUTTON PANEL ASSY - SIREN - 4 BUT	1
13	00400666	PCB ASSY - 500 SER RSP CTRL PANEL	1
14	002LA1067	LABEL - FACE, 500 SIREN W/ BUTTON	1

REVISION LOG				
REV	DESCRIPTION	INITIALS	ECN	DATE
A	PRODUCTION RELEASE	GRP	5672	02/16/2021



PSRN5CTRL1

CHARACTERISTIC NUMBERS		
LAST USED	DELETED	KEY



SoundOff Signal

PROPRIETARY AND CONFIDENTIAL
THE INFORMATION CONTAINED IN THIS DRAWING IS THE SOLE PROPERTY OF SOUNDOFF SIGNAL. ANY REPRODUCTION IN PART OR AS A WHOLE WITHOUT THE WRITTEN PERMISSION OF SOUNDOFF SIGNAL IS PROHIBITED.

TOLERANCES EXCEPT AS NOTED
X ± .020
XX ± .012
XXX ± .006
ANGLES ± .5°

THIRD ANGLE PROJECTION

CAD DIMENSIONS ARE BASIC UNLESS OTHERWISE SPECIFIED

GD&T TO FOLLOW ASME Y14.5M-2009

DRAWING SIZE: B
DO NOT SCALE

PRIMARY DIMS: INCH
DUAL DIMS: [mm]

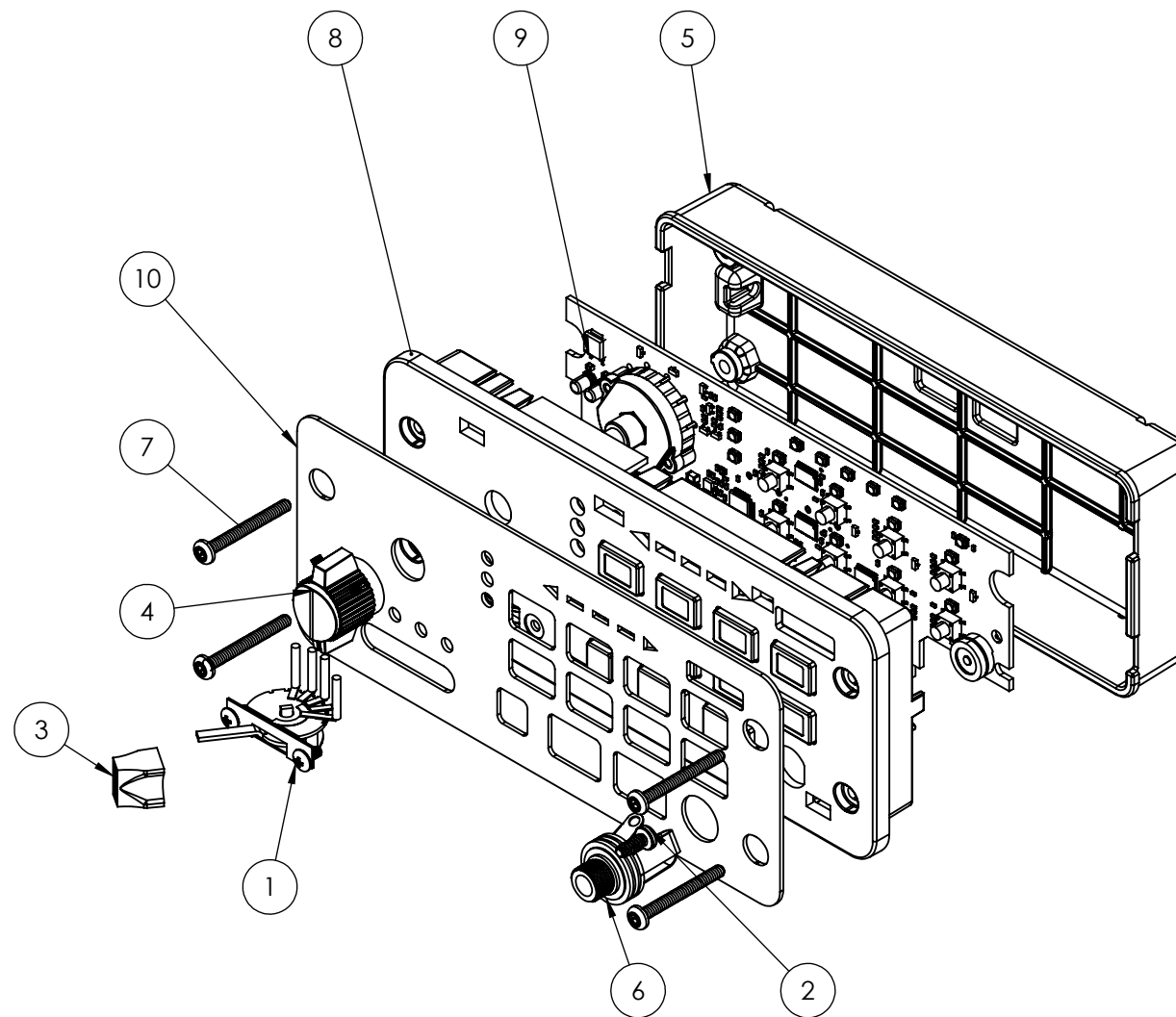
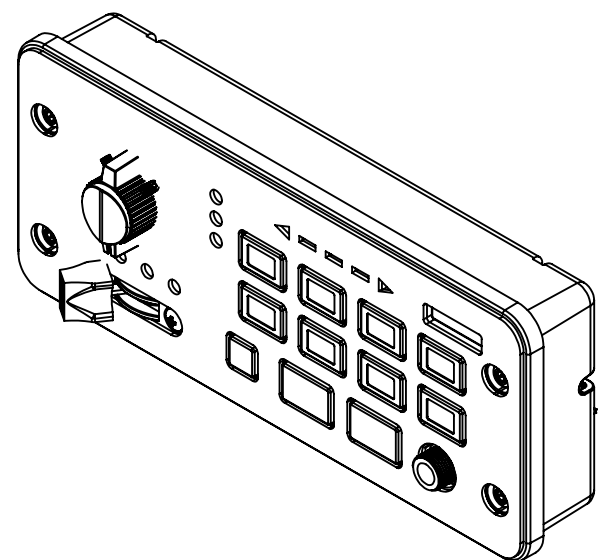
MATERIAL:
ASSEMBLY AS SHOWN

DESCRIPTION: 500 SERIES FACE PANEL CTRL PUSHBUTTON REPLACEMENT

DRAWING NO: **PSRN5CTRLX** REVISION:

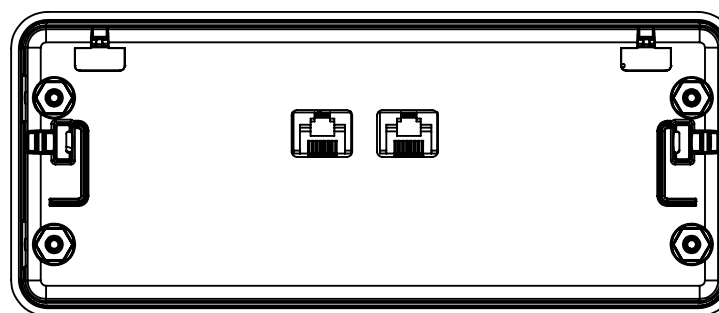
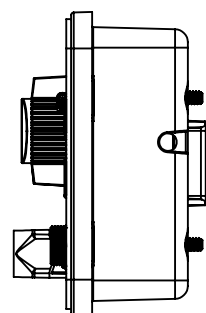
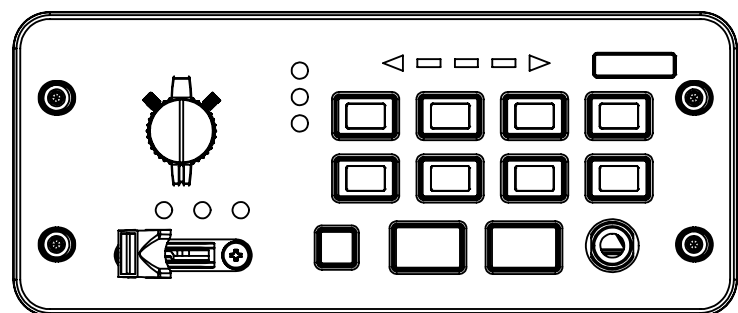
ITEM NO.	PART NUMBER	Description	QTY.
1	002HD276	BOLT - #4-40 X 1/4" TRUSS PHL SS	2
2	002SC033	#6 X .375" PLASTITE TORX PAN HD SS	1
3	002KN002	KNOB-LEVER SWITCH WITH SCREW CLEAR	1
4	002KN012	KNOB-ROUND SKIRTED 1/4" FLAT-SHAFT	1
5	002HG666	HOUSING - REMOTE PANEL	1
6	001HNS06	HARNESS ASSY, 1/4" MIC JACK	1
7	002SC179	#6 X 1.25" TAPTITE STEEL PN HD TORX	4
8	002SA017	BUTTON PANEL ASSY - SIREN - ROTARY	1
9	00400606	PCB ASSY - 400 SER RSR CTRL PANEL	1
10	002LA1067	LABEL - FACE, 500 SIREN W/ KNOB	1

REVISION LOG				
REV	DESCRIPTION	INITIALS	ECN	DATE
A	PRODUCTION RELEASE	GRP	5672	02/16/2021



PSRN5CTRL4

CHARACTERISTIC NUMBERS		
LAST USED	DELETED	KEY



SoundOff Signal

PROPRIETARY AND CONFIDENTIAL
THE INFORMATION CONTAINED IN THIS DRAWING IS THE SOLE PROPERTY OF SOUNDOFF SIGNAL. ANY REPRODUCTION IN PART OR AS A WHOLE WITHOUT THE WRITTEN PERMISSION OF SOUNDOFF SIGNAL IS PROHIBITED.

TOLERANCES EXCEPT AS NOTED
 .X ± .020
 .XX ± .012
 .XXX ± .006
 ANGLES ± .5°

THIRD ANGLE PROJECTION

CAD DIMENSIONS ARE BASIC UNLESS OTHERWISE SPECIFIED

GD&T TO FOLLOW ASME Y14.5M-2009

DRAWING SIZE: B
DO NOT SCALE

PRIMARY DIMS: INCH
DUAL DIMS: [mm]

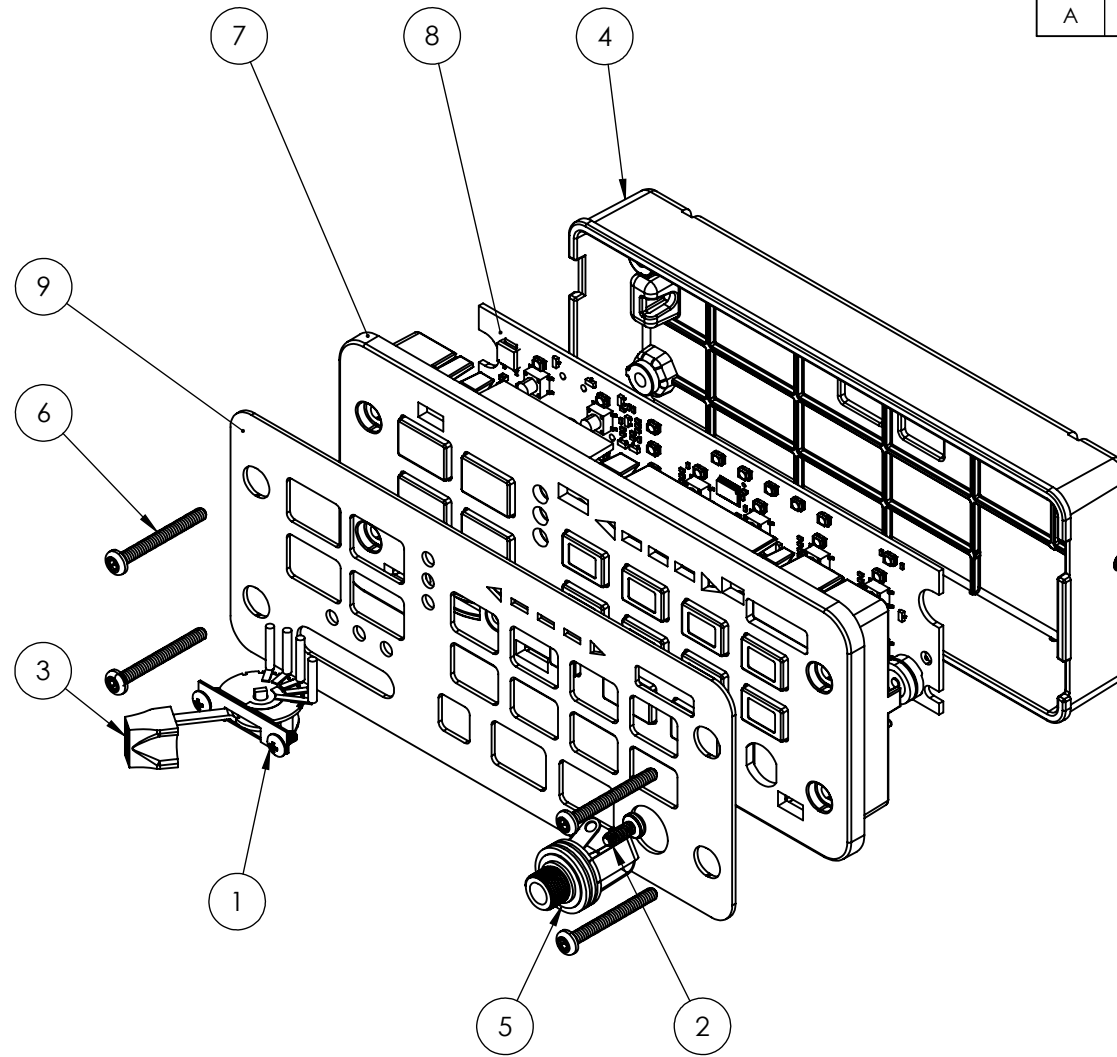
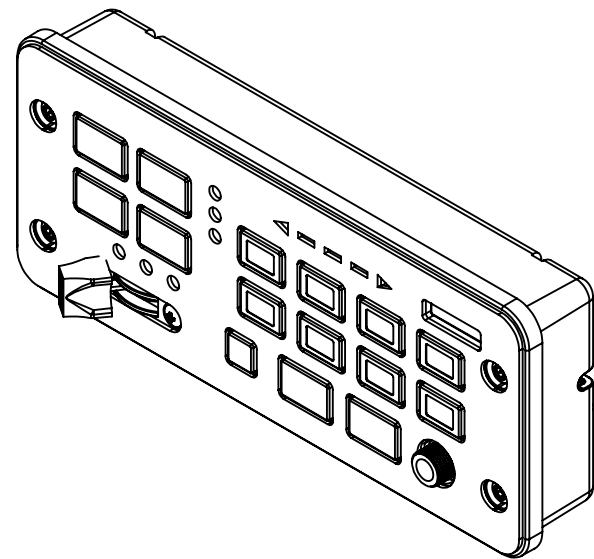
MATERIAL:
ASSEMBLY AS SHOWN

DESCRIPTION: 500 SERIES FACE PANEL
CONSOLE ROTARY REPLACEMENT

DRAWING NO: **PSRN5CTRLX** REVISION:

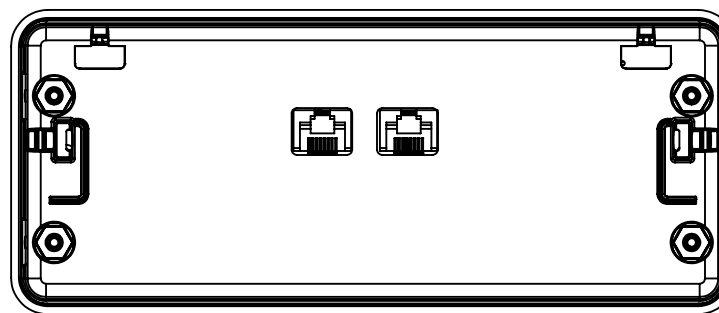
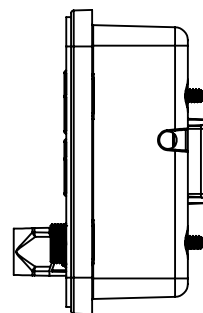
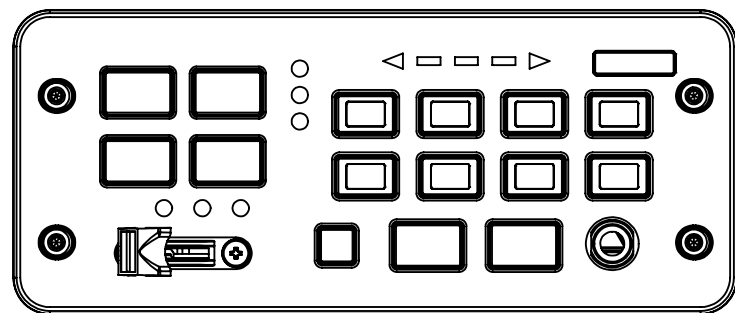
ITEM NO.	PART NUMBER	Description	QTY.
1	002HD276	BOLT - #4-40 X 1/4" TRUSS PHL SS	2
2	002SC033	#6 X .375" PLASTITE TORX PAN HD SS	1
3	002KN002	KNOB-LEVER SWITCH WITH SCREW CLEAR	1
4	002HG666	HOUSING - REMOTE PANEL	1
5	001HNS06	HARNESS ASSY, 1/4" MIC JACK	1
6	002SC179	#6 X 1.25" TAPTITE STEEL PN HD TORX	4
7	002SA002	BUTTON PANEL ASSY - SIREN - 4 BUT	1
8	00400666	PCB ASSY - 500 SER RSP CTRL PANEL	1
9	002LA1068	LABEL - FACE, 500 SIREN W/ BUTTON	1

REVISION LOG				
REV	DESCRIPTION	INITIALS	ECN	DATE
A	PRODUCTION RELEASE	GRP	5672	02/16/2021



PSRN5CTRL3

CHARACTERISTIC NUMBERS		
LAST USED	DELETED	KEY



SoundOff Signal

PROPRIETARY AND CONFIDENTIAL
THE INFORMATION CONTAINED IN THIS DRAWING IS THE SOLE PROPERTY OF SOUNDOFF SIGNAL. ANY REPRODUCTION IN PART OR AS A WHOLE WITHOUT THE WRITTEN PERMISSION OF SOUNDOFF SIGNAL IS PROHIBITED.

TOLERANCES EXCEPT AS NOTED .X ± .020 .XX ± .012 .XXX ± .006 ANGLES ± .5°	THIRD ANGLE PROJECTION	CAD DIMENSIONS ARE BASIC UNLESS OTHERWISE SPECIFIED
GD&T TO FOLLOW ASME Y14.5M-2009	DRAWING SIZE: B DO NOT SCALE	PRIMARY DIMS: INCH DUAL DIMS: [mm]

MATERIAL:
ASSEMBLY AS SHOWN

DESCRIPTION: 500 SERIES FACE PANEL CONSOLE PUSHBUTTON REPLACEMENT

DRAWING NO: **PSRN5CTRLX** REVISION: