



with Clear Duty® Technology

4x2 FASCIA LIGHTS - 4"

EMPSA0(XXX)-(X) - Quick Mount, Screw Mount, & Stud Mount

TECHNICAL SPECIFICATIONS				
Dimensions (From Mounting Surface)				
4" Screw Mount:		4.53"L x 1.50"H x 0.43"D		
4" Stud, Threaded Mount:		4.07"L x 1.50"H x 0.43"D		
4" Quick Mount:		4.07"L x 1.50"H x 0.47"D		
Input Voltage:		9-32Vdc		
4" CURRENT CONSUMPTION (Amps)				
12.8Vdc		25.6Vdc		
	Peak	Average	Peak	Average
Red	1.4	0.70	0.75	0.38
Amber, White	1.7	0.85	0.9	0.45
Blue, Green	1.9	0.95	0.95	0.48

Lights are chassis-grounded. If you need to ground-switch the light, you must isolate the lights metal backing, heatsink, studs and/or screws from the body of the vehicle or use a relay.

⚠ WARNING

- HIGH CURRENT interconnects must be properly terminated. Poor crimp quality can cause heat build-up and fire. Follow crimp connector manufacturer instructions.
- DO NOT install this product or route any wires in the Air Bag Deployment Zone. Refer to vehicle Owner's Manual for deployment zones.
- Unit may become hot to touch during normal operation.
- Failure to properly install connectors, fuses or wiring may cause vehicle failure or fire.
- Installation must only be performed by trained technician. Installer must determine vehicle wiring configuration and proper integration of system.
- Use proper wire gauge. All power wires connecting to positive (+) or negative (-) battery terminal or local chassis ground (-) must be sized to supply at least 125% of max. current and properly fused at power source.
- Install protective grommets when routing wire through firewall or metal.

⚠ WARNING

This product contains high intensity LED devices.
To prevent eye damage, DO NOT stare into the light beam at close range.

NOTICE:

Installers and users must comply with all applicable federal, state and local laws regarding use and installation of warning devices.

Improper use or installation may void warranty coverage.

To review our Limited Warranty Statement & Return Policy for this or any SoundOff Signal product, visit our website at www.soundoffsignal.com/tech-services/returns/.

If you have questions regarding this product, contact **Technical Services**, Monday - Friday, 8 a.m. to 5 p.m. ET at 1.800.338.7337 (press #4).

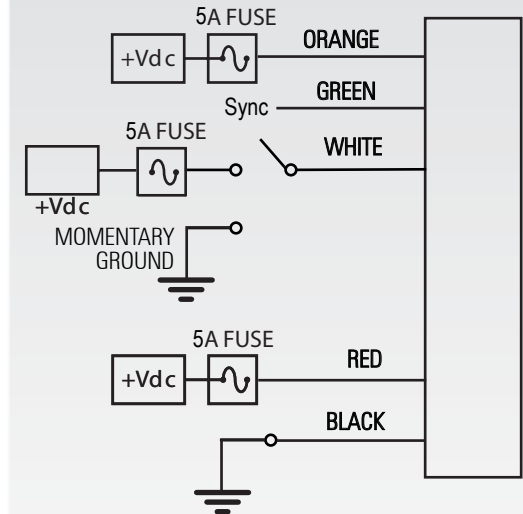
Questions or comments that do not require immediate attention may be emailed to techservices@soundoffsignal.com.

ENHANCING SAFETY THROUGH INNOVATION

WIRE HOOK-UP TABLE

WIRE COLOR:	FUNCTION:
RED	Power (Primary)
BLACK	Ground
GREEN**	Sync2
WHITE to GROUND	Setup Wire (See pg. 7*)
WHITE to POWER	Function Wire/Power (Secondary)
ORANGE	Power (Secondary)

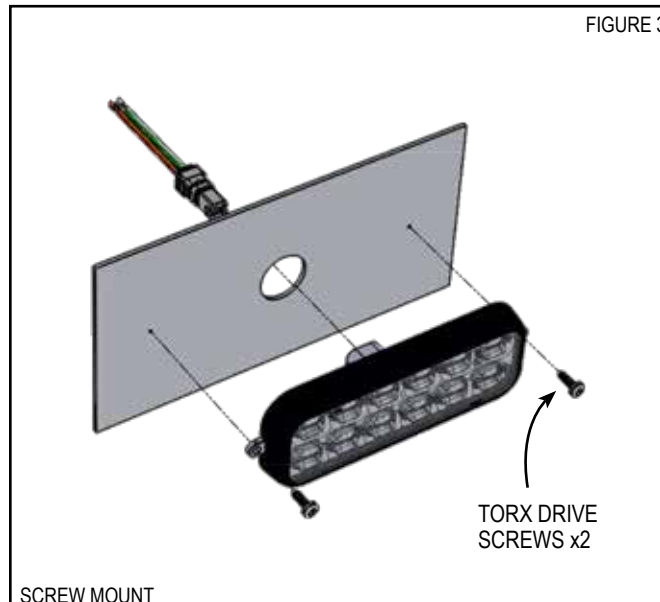
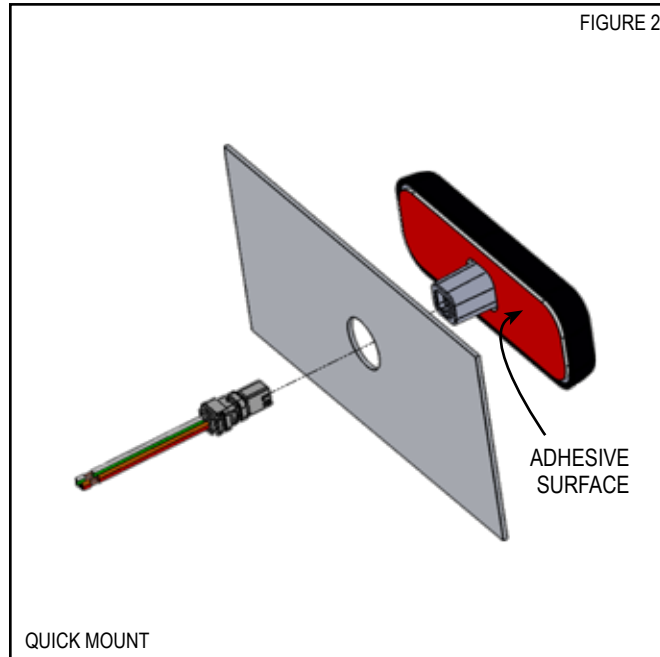
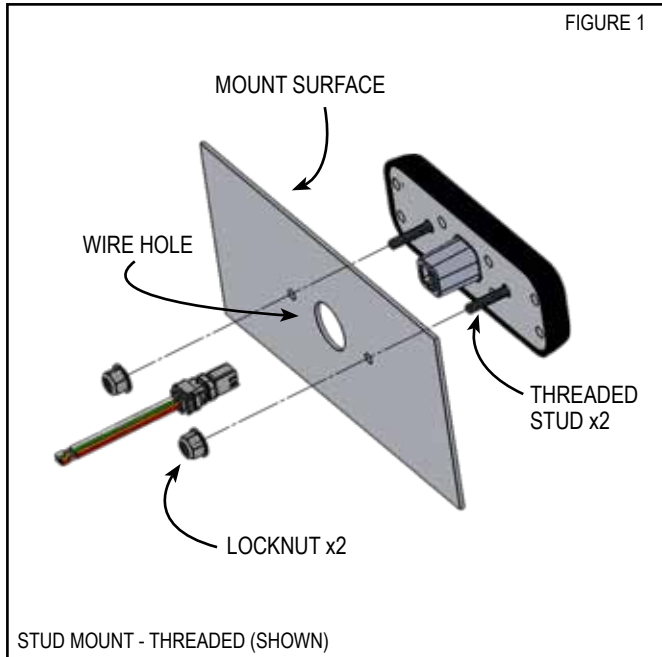
** To sync multiple mpower® lights, connect the Green wire from each light together.



Protected by U.S. Patent 10,703,260 and Patents Pending
<https://soundoffsignal.com/legal/patent-notification/>



1.800.338.7337 / www.soundoffsignal.com



NOTE: INSTALL LIGHT WITH GORE PATCH FACING DOWN.

INSTALLATION:

Stud Mount (Figure 1)

1. Pre-Drill per stud mount pattern indicated on page 8, or per the supplied mounting template.
2. Clean the surface, as required.
3. Deburr hole, as required.
4. Make wire connections and feed wire through the drilled wire hole.
5. Install light, inserting 2 studs into the 2 drilled holes.
6. Install 2 lock nuts onto studs behind mount surface. After the nut makes full contact with the mounting surface, hand tighten 1/8th turn (torque no more than 15 in-lbs.)



DO NOT USE POWER TOOLS TO TIGHTEN

Quick Mount (Figure 2)

1. Pre-Drill per quick mount pattern indicated on page 9 (Wire hole only.)
2. Deburr hole as required.
3. Clean surface with supplied alcohol wipe.
4. Make wire connection and feed wire through the drilled wire hole.
5. Remove adhesive backer and align light into desired position. Apply to surface and hold firmly for 30 seconds. **CAUTION! APPLY UNIFORM PRESSURE ACROSS FULL FACE OF LIGHT.**



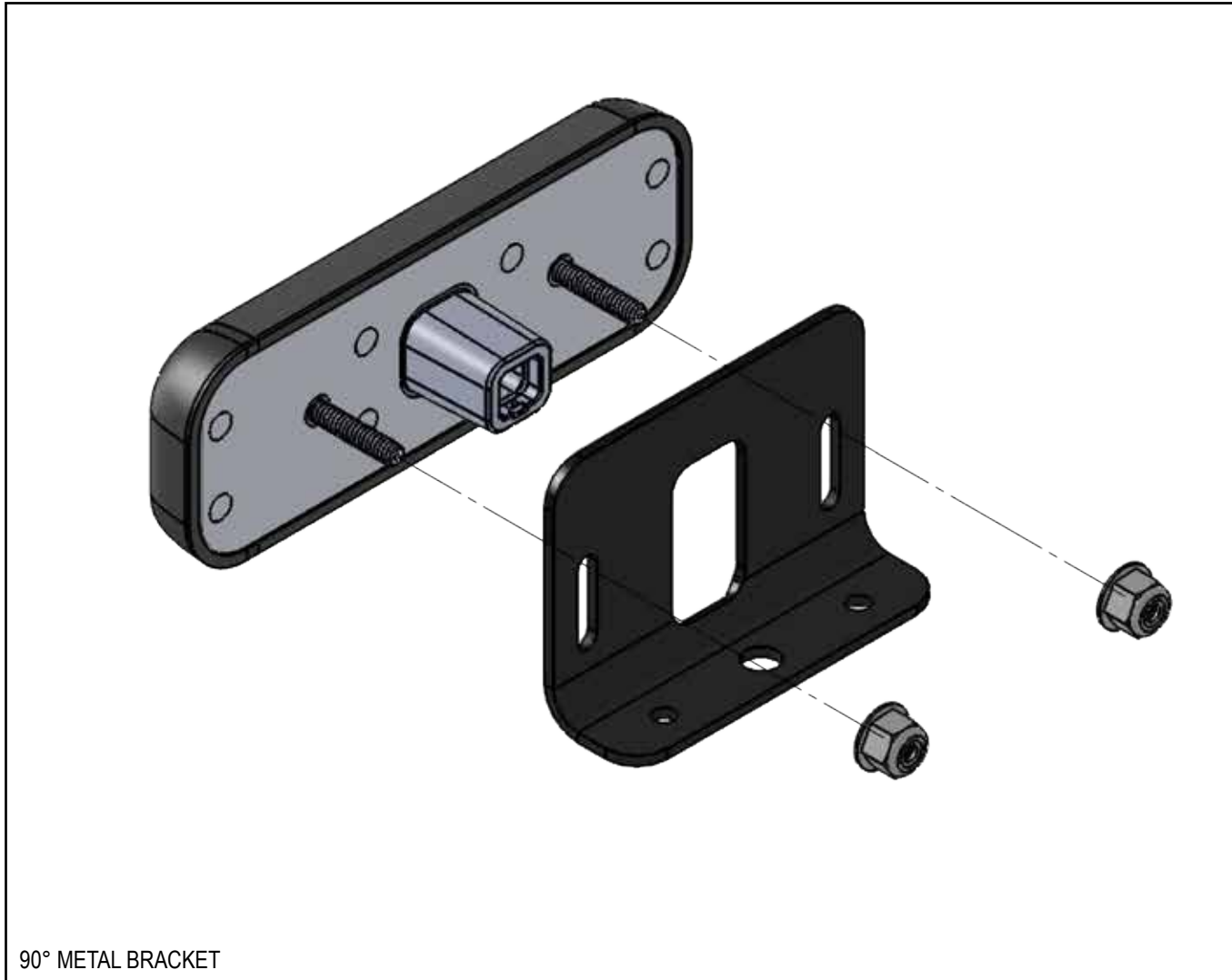
DO NOT USE POWER TOOLS TO TIGHTEN

Screw Mount (Figure 3)

1. Pre-Drill per screw mount pattern indicated on page 9.
2. Deburr and clean the surface, as required.
3. Make wire connections and feed the wire through the drilled wire hole.
4. Install light with 2x Torx drive screws and hand tighten only until mount surface and light are flush.



with Clear Duty® Technology



INSTALLATION:

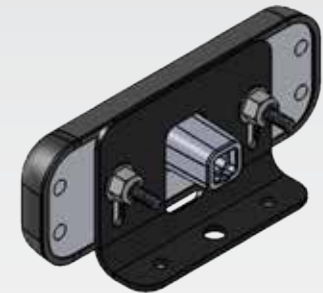
90° Metal Bracket

1. Pre-drill mount holes as required (bracket holes and spacing are indicated on page 8).
2. Place bracket onto desired vehicle's surface and secure with screws (not provided.)
3. Install bracket onto mpower® stud mount, threaded light, as indicated. Wire passes through center hole.
4. Install bracket onto mpower® stud mount, threaded light, as indicated. Wire passed through rear relief.
5. Install the 2 lock nuts onto mpower® stud mount, threaded light. Hand tighten until final adjustment.
6. Adjust angle of light to desired direction and tighten 2 lock nuts until secure.
7. After the lock nuts make full contact with the mounting surface, hand tighten 1/8th turn (torque no more than 15 in-lbs.)



DO NOT USE POWER TOOLS TO TIGHTEN

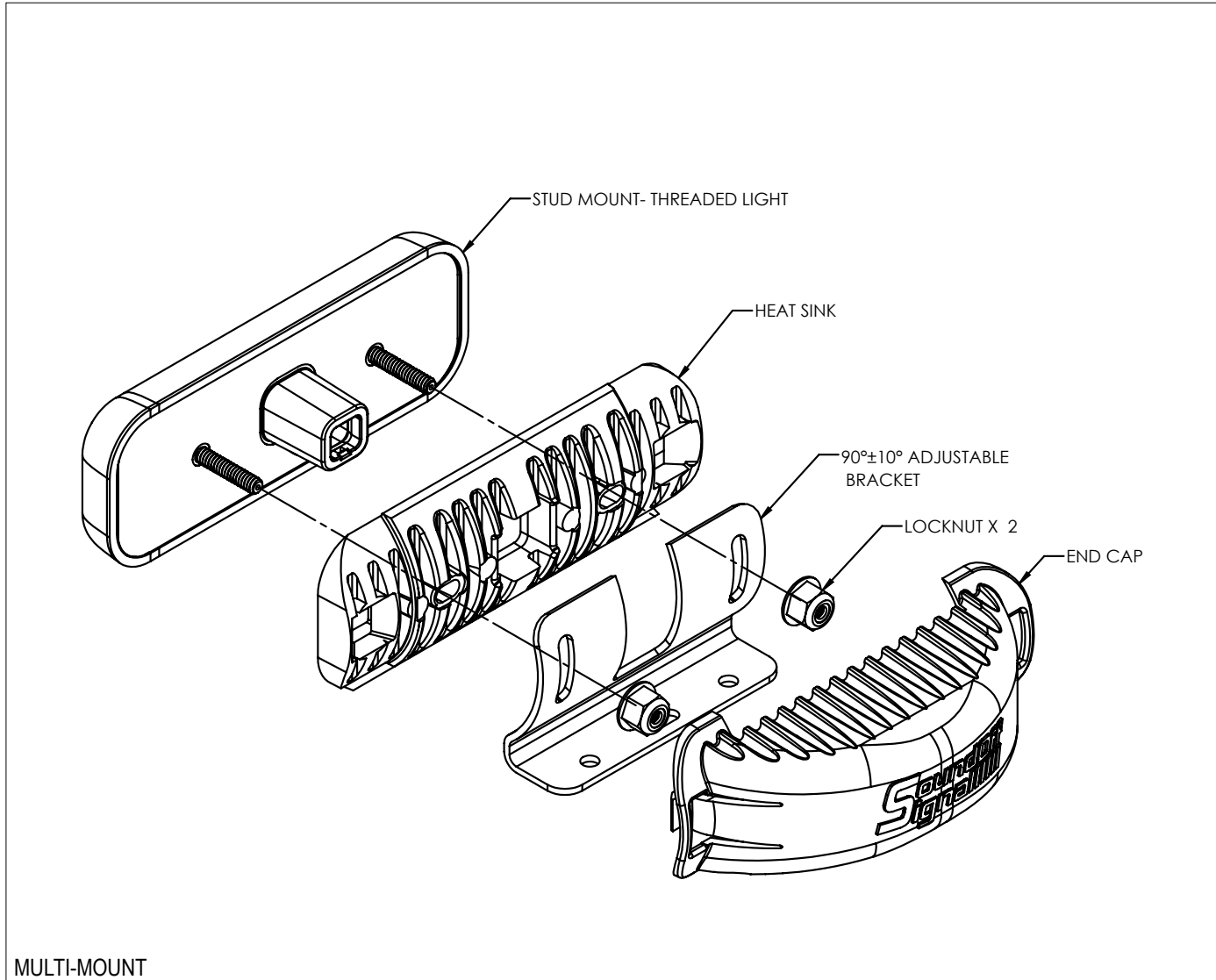
8. Make wire connections.



**SoundOff
Signal**

1.800.338.7337 / www.soundoffsignal.com

with Clear Duty® Technology



MULTI-MOUNT

SoundOff
Signal

1.800.338.7337 / www.soundoffsignal.com

INSTALLATION:

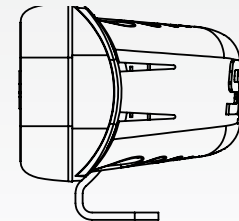
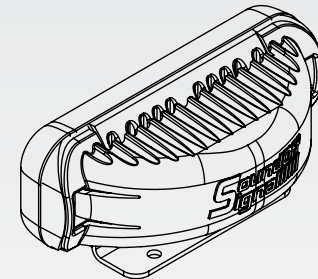
90° Adjustable Mount Bracket PMPSABKDGAJ

1. Pre-drill mount holes as required (bracket holes and spacing are indicated on page 9.
2. Place bracket onto desired vehicle's surface and secure with screws (not provided.)
3. Install bracket onto mpower® stud mount, threaded light, as indicated. Wire passes through center hole.
4. Install bracket onto mpower® stud mount, threaded light, as indicated. Wire passed through rear relief.
5. Install the 2 lock nuts onto mpower® stud mount, threaded light. Hand tighten until final adjustment.
6. Adjust angle of light to desired direction and tighten 2 lock nuts until secure.
7. After the lock nuts make full contact with the mounting surface, hand tighten 1/8th turn (torque no more than 15 in-lbs.)



**DO NOT USE POWER
TOOLS TO TIGHTEN**

8. Make wire connections.





with Clear Duty® Technology

OVER-VOLTAGE PROTECTION

When an over-voltage condition is detected, the module will flash an over-voltage warning pattern of 50mS ON/950mS OFF to alert of the over-voltage condition and protect the electronics from damage due to heat/voltage.

THERMAL COMPENSATION PROTECTION

The LED module is designed to provide maximum power output while providing protection to the electronic components by reducing the output power at extreme temperatures.

SYNC 2

Synchronizing the flashing of multiple light modules is accomplished by connecting the Green wires of different light modules together. Up to 24 light modules can be connected for synchronized flashing. All light module flash patterns must be set to the same flash pattern # to ensure proper operation. Refer to the Sequence Type section in Set-Up Table (page 7) to setup light modules to flash in alternate or simultaneous flash pattern. NOTE: Will NOT work with non-Sync 2 products such as Ghost, and LED3. WILL WORK with Sync 2 products nFORCE Secondary Lights, mpower® secondary, nFORCE FIT, and 5 wire Intersector Lights.

FLASH PATTERNS					
PATTERN #	SINGLE COLOR	DUAL COLOR	TRI-COLOR	SAE COMPLIANT	CALIFORNIA TITLE 13 COMPLIANT
1	QUINT			X	
2	WARP				
3	INTER-CYCLE				
4	DOUBLE			X	
5	QUAD			X	
6	POWER PULSE			X	
7	ROAD RUNNER			X	X
8	Q-SWITCH			X	
9	STEADY-BURN / ROADRUNNER (SEQUENCE TYPE 1: STEADY BURN, SE- QUENCE TYPE 2: ROADRUNNER)			X	X
10	STEADY-BURN DRIVER TITLE 13 QUAD (SEQUENCE TYPE 1: STEADY BURN, SE- QUENCE TYPE 2: TITLE 13 QUAD)			X	X
11	QUAD 2			X	
12	DOUBLE 2			X	X
13	RANDOM 1				
14	RANDOM 2				
15	QUAD PULSE-POP			X	X



1.800.338.7337 / www.soundoffsignal.com



with Clear Duty® Technology

FUNCTION TABLES

The functional operation of the LED module can be changed while applying the +V to the Red wire with the black wire connected to ground. When the light is flashing, momentarily connect the White wire to ground for >4S and <5S (light will go steady high, steady low, off, steady high, steady low) then release. The function table will now advance to the next enabled table (table 1 to table 2, table 2 to table 3, table 3 to table 4, or table 4 to table 1. In the case that the custom table is programmed, the order is 1 to 2, 2 to 3, 3 to 4, 4 to 7 (custom), and 7 to 1.) Repeat above process until required function table is active.

NOTE: Color swap feature works for split color lights

FUNCTION TABLE 1						
WIRE			LIGHT			
RED	ORANGE	WHITE	SINGLE	SPLIT	DUAL	TRI
X			FLASH	FLASH DUAL	FLASH DUAL	FLASH TRI
	X		CRUISE	STEADY COLOR 2	STEADY COLOR 2	STEADY COLOR 3
X	X		FLASH	STEADY COLOR 2	STEADY COLOR 2	STEADY COLOR 3
		X	NO OP	NO OP	NO OP	NO OP
X		X	LOW PWR FLASH	FLASH COLOR 1	FLASH COLOR 1	FLASH COLOR 1
	X	X	CRUISE	FLASH COLOR 2	FLASH COLOR 2	FLASH COLOR 2
X	X	X	LOW PWR FLASH	FLASH DUAL	FLASH DUAL	FLASH COLOR 3

FUNCTION TABLE 2						
WIRE			LIGHT			
RED	ORANGE	WHITE	SINGLE	SPLIT	DUAL	TRI
X			FLASH	FLASH COLOR 1	FLASH COLOR 1	FLASH DUAL
	X		STEADY COLOR 1	FLASH DUAL	STEADY COLOR 2	STEADY COLOR 3
X	X		STEADY COLOR 1	FLASH DUAL	STEADY COLOR 2	STEADY COLOR 3
		X	STEADY COLOR 1	STEADY COLOR 2	STEADY COLOR 2	STEADY COLOR 3
X		X	CRUISE	FLASH COLOR 1 / STEADY COLOR 2	FLASH DUAL	FLASH TRI
	X	X	STEADY COLOR 1	STEADY COLOR 2	STEADY COLOR 2	STEADY COLOR 3
X	X	X	STEADY COLOR 1	STEADY COLOR 2	STEADY COLOR 2	STEADY COLOR 3

FUNCTION TABLE 3						
WIRE			LIGHT			
RED	ORANGE	WHITE	SINGLE	SPLIT	DUAL	TRI
X			FLASH	FLASH DUAL	FLASH DUAL	FLASH TRI
	X		LOW PWR FLASH	FLASH DUAL LOW PWR	FLASH DUAL LOW PWR	FLASH TRI LOW PWR
X	X		LOW PWR FLASH	FLASH DUAL LOW PWR	FLASH DUAL LOW PWR	FLASH TRI LOW PWR
		X	NO OP	NO OP	NO OP	NO OP
X		X	LOW PWR FLASH	FLASH DUAL LOW PWR	FLASH DUAL LOW PWR	FLASH TRI LOW PWR
	X	X	LOW PWR FLASH	FLASH DUAL LOW PWR	FLASH DUAL LOW PWR	FLASH TRI LOW PWR
X	X	X	LOW PWR FLASH	FLASH DUAL LOW PWR	FLASH DUAL LOW PWR	FLASH TRI LOW PWR

FUNCTION TABLE 4						
WIRE			LIGHT			
RED	ORANGE	WHITE	SINGLE	SPLIT	DUAL	TRI
X				FLASH COLOR 1	FLASH COLOR 1	FLASH DUAL
	X			FLASH COLOR 2	FLASH DUAL	FLASH TRI
X	X			FLASH DUAL	FLASH DUAL	FLASH TRI
		X		NO OP	STEADY COLOR 2	STEADY COLOR 3
X		X		FLASH COLOR 1 LOW PWR	FLASH COLOR 1 / STEADY COLOR 2	FLASH DUAL / STEADY 3
	X	X		FLASH COLOR 2 LOW PWR	FLASH DUAL / STEADY COLOR 2	FLASH TRI / STEADY 3
X	X	X		FLASH DUAL LOW PWR	FLASH DUAL / STEADY COLOR 2	FLASH TRI / STEADY 3

AFTER SELECTION

The light will "wink" to indicate which of the new tables is selected. Custom table will "wink" 7 times.



1.800.338.7337 / www.soundoffsignal.com



with Clear Duty® Technology

COLOR SWAP

This function is only valid for dual and tri-color light modules and can only be changed when the light module is in a flashing mode (disabled for single color modules and when light module is operating in cruise or steady ON functions). When the light is flashing, momentarily connect the white wire to ground for >2S and <3S (light will go steady high, steady low, off) then release. The light module will switch between Color Swap OFF and Color Swap ON. When Color Swap is OFF, the 1st color will flash 1st on a dual/tri color pattern. When Color Swap is ON, the 2nd color will flash 1st on a dual/tri color pattern.

SIMULTANEOUS/ALTERNATE/BOTH/WIG-WAG

This function only has an effect when at least 2 LED modules have the green sync wire connected together. When the light is flashing, momentarily connect the white wire to ground for >3S and <4S (light will go steady high, steady low, off, steady high) then release. The light module will switch between the applicable phases each time this sequence is done. To have light modules flash simultaneously, both light modules need to be set to the same sequence type (Set-Up Table.) To have light modules flash alternately, the light modules need to be set to different sequence types (Set-Up Table.)

SETUP TABLE			
SECONDS		USER INTERFACE	
FROM	TO	VISUAL FEEDBACK	ACTION TAKEN
0	1	STEADY-HIGH (60%)	FORWARD ONE PATTERN
1	2	STEADY-LOW (30%)	BACKWARD ONE PATTERN
2	3	OFF	COLOR SWAP (OFF OR ON) (NOT APPLICABLE FOR SINGLE COLOR LIGHT)
3	4	STEADY - HIGH (60%)	SEQUENCE TYPE: SIMULTANEOUS OR ALTERNATE
4	5	STEADY - LOW (30%)	SEE FUNCTION TABLE
5	6	OFF	RESET TO PATTERN 1
6	7	STEADY-HIGH (60%)	FACTORY RESET (PATTERN 1, COLOR SWAP: OFF, SIMULTANEOUS) SEPARATE COLOR CONTROL: OFF
7	8	STEADY - LOW (30%)	LOCK OUT WHITE CONFIGURATION WIRE

If held longer than 8 seconds, the light will go back to flashing the current pattern and no action will be taken.

ADVANCE PATTERN

Flash pattern can only be changed when the LED module is in a flashing mode (disabled in cruise or steady ON functions). When the light is flashing, momentarily connect the white wire to ground for >250mS and <1S (light will go steady high) then release. The flash pattern will advance to the next pattern. If the light module was at the last pattern, the pattern will reset to the 1st pattern.

BACKUP PATTERN

When the light is flashing, momentarily connect the white wire to ground for >1S and < 2S (light will go steady high, steady low) then release. The flash pattern will backup to the previous pattern. If the light module was at the first pattern, the pattern will change to the last pattern on the list.

PATTERN RESET

When the light is flashing, momentarily connect the white wire to ground for >5S and <6S (light will go steady high, steady low, off, steady high, steady low, off) then release. The flash pattern will reset to the 1st pattern in the list.

FACTORY RESET

When the light is flashing, momentarily connect the white wire to ground for >6S and <7S (light will go steady high, steady low, off, steady high, steady low, off, steady high) then release. The LED module will reset to: pattern=1, Function Table=1, Color Swap=OFF, Simultaneous.

LOCKOUT CONFIGURATION WIRE

This function will disable the wire tap configuration mode that is activated by holding the white wire to ground. The lock out is activated by applying ground to the white wire for >8 seconds and < 9 seconds per the table below. The function can be disabled by tapping the wire to ground and releasing 8 times within 5 seconds. The light will flash 8 times when the feature is enabled or disabled to notify the user of a setting change.



1.800.338.7337 / www.soundoffsignal.com



with Clear Duty® Technology

REMOTE MODE: FOR USE WITH bluePRINT® SYSTEM ONLY

Connecting the Green wire to ground before applying power to the Red or Red/White wires will place the LED module into remote mode and the light output color will be directly controlled by the input wires as shown below.

For Cruise mode or Low Power control of the LED module, the signal to the control wires must be 100 +/- 2Hz using the duty cycle inputs listed below to produce the light output.

4x2 mpower® Secondary LED Light Remote Mode Functionality								
WIRE			LIGHT					
RED	ORANGE	WHITE	SINGLE	SPLIT	DUAL COLOR		TRI COLOR	
					COLOR SWAP = OFF	COLOR SWAP = ON	COLOR SWAP = OFF	COLOR SWAP = ON
CRUISE	OFF	OFF	CRUISE COLOR 1	CRUISE COLOR 1	CRUISE COLOR 1	CRUISE COLOR 2	CRUISE COLOR 1	CRUISE COLOR 2
OFF	CRUISE	OFF	NO OP	CRUISE COLOR 2	CRUISE COLOR 2	CRUISE COLOR 1	CRUISE COLOR 2	CRUISE COLOR 1
CRUISE	CRUISE	OFF	NO OP	CRUISE COLOR 1 & COLOR 2	CRUISE COLOR 2	CRUISE COLOR 1	CRUISE COLOR 3	CRUISE COLOR 3
*	*	STEADY	NO OP	STEADY COLOR 2 (OVERRIDE)	STEADY COLOR 2 BOTTOM BANK (OVERRIDE)	STEADY COLOR 1 BOTTOM BANK (OVERRIDE)	STEADY COLOR 3 BOTTOM BANK (OVERRIDE)	STEADY COLOR 3 BOTTOM BANK (OVERRIDE)
OFF	OFF	STEADY	NO OP	STEADY COLOR 2	STEADY COLOR 2	STEADY COLOR 1	STEADY COLOR 3	STEADY COLOR 3
FLASH	OFF	OFF	FLASH COLOR 1	FLASH COLOR 1	FLASH COLOR 1	FLASH COLOR 2	FLASH COLOR 1	FLASH COLOR 2
OFF	FLASH	OFF	NO OP	FLASH COLOR 2	FLASH COLOR 2	FLASH COLOR 1	FLASH COLOR 2	FLASH COLOR 1
FLASH	FLASH	OFF	NO OP	FLASH COLOR 1 & COLOR 2	FLASH COLOR 2	FLASH COLOR 1	FLASH COLOR 3	FLASH COLOR 3
*	*	FLASH	NO OP	FLASH COLOR 2 (OVERRIDE)	FLASH COLOR 2 BOTTOM BANK (OVERRIDE)	FLASH COLOR 1 BOTTOM BANK (OVERRIDE)	FLASH COLOR 3 BOTTOM BANK (OVERRIDE)	FLASH COLOR 3 BOTTOM BANK (OVERRIDE)
OFF	OFF	FLASH	NO OP	FLASH COLOR 2	FLASH COLOR 2	FLASH COLOR 1	FLASH COLOR 3	FLASH COLOR 3
STEADY	OFF	OFF	STEADY COLOR 1	STEADY COLOR 1	STEADY COLOR 1	STEADY COLOR 2	STEADY COLOR 1	STEADY COLOR 2
OFF	STEADY	OFF	NO OP	STEADY COLOR 2	STEADY COLOR 2	STEADY COLOR 1	STEADY COLOR 2	STEADY COLOR 1
STEADY	STEADY	OFF	NO OP	STEADY COLOR 1 & COLOR 2	STEADY COLOR 2	STEADY COLOR 1	STEADY COLOR 3	STEADY COLOR 3

Cruise Mode Duty Cycle (@ 100Hz)	
Input	Light Output
40%	OFF
50%	5%
60%	10%

Low Power Flash D.C. (@ 100Hz)	
Input	Light Output
70%	30%
80%	40%
90%	50%

*Any wire state is valid

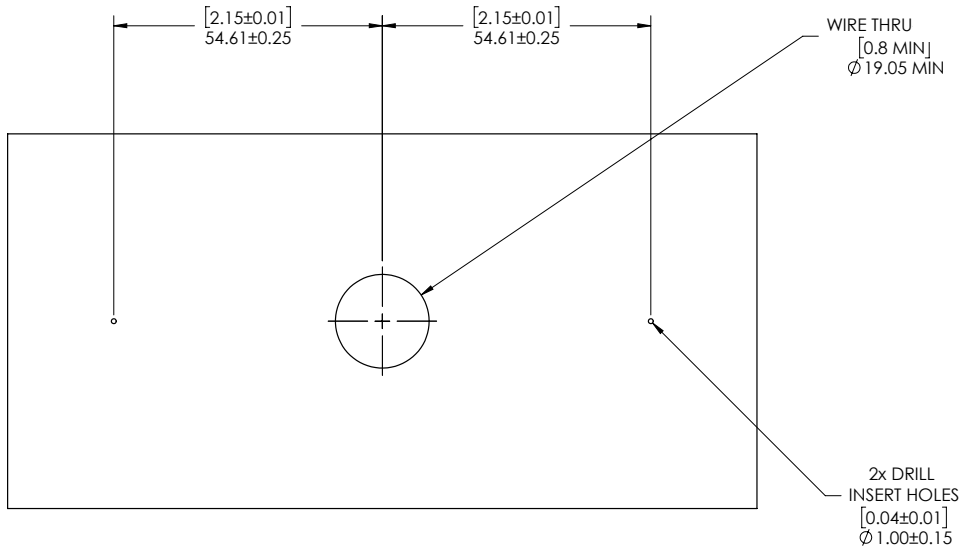


1.800.338.7337 / www.soundoffsignal.com

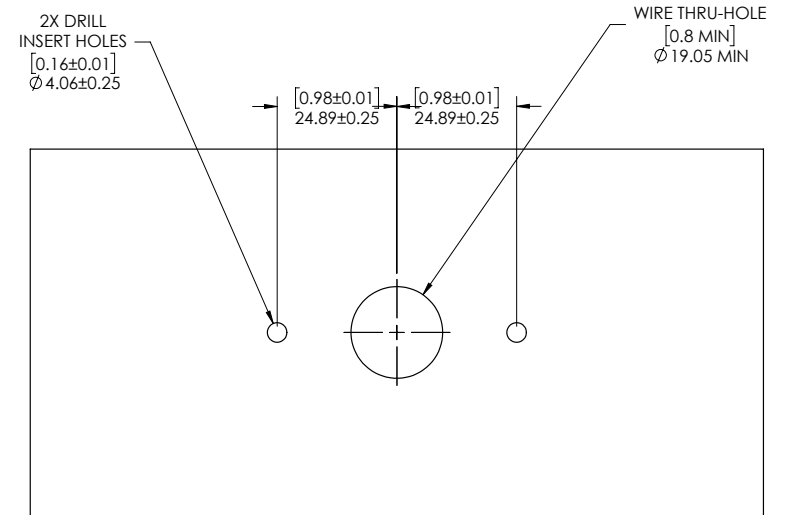
- NOTE 1: Orange and White wires are not used for single color lights
- NOTE 2: The White override wire will override the bottom bank with the highest available color, when active
- NOTE 3: White wire does not support PWM input (cruise or low-power)
- NOTE 4: Only the operation modes defined above are supported
- NOTE 5: Color swap setting is valid for split, individual, dual, and tri-color lights. If enabled, color 1 and color 2 functionality will be swapped

FASCIA LIGHTS - 4"

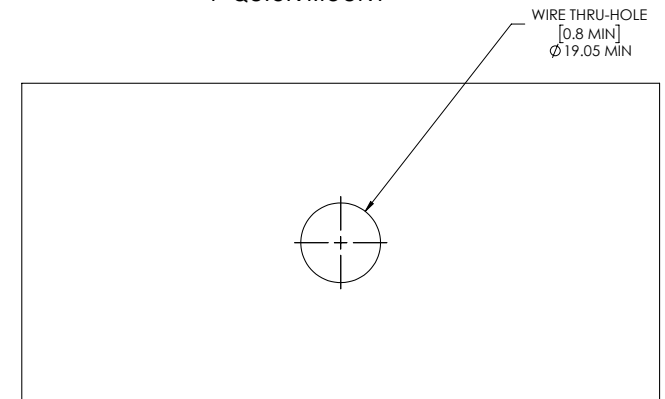
4" SCREW MOUNT



4" THREADED STUD MOUNT

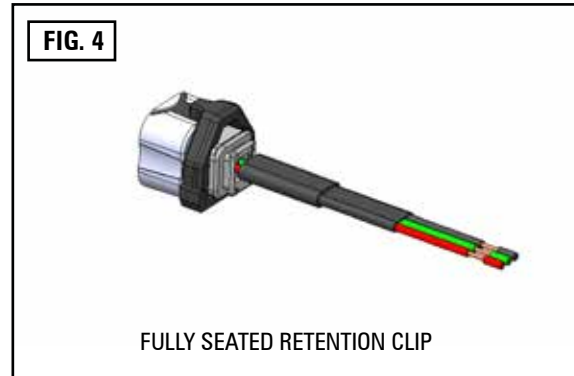
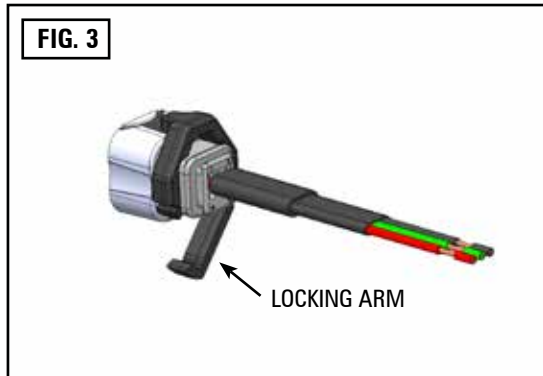
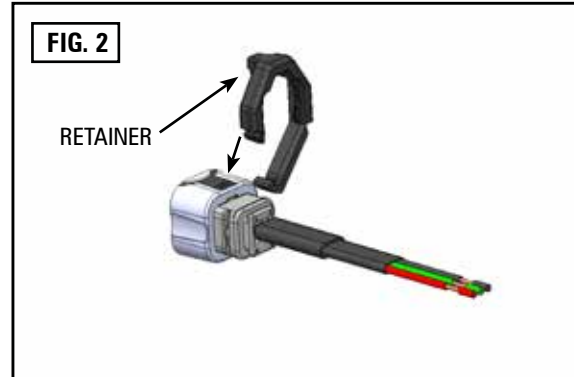
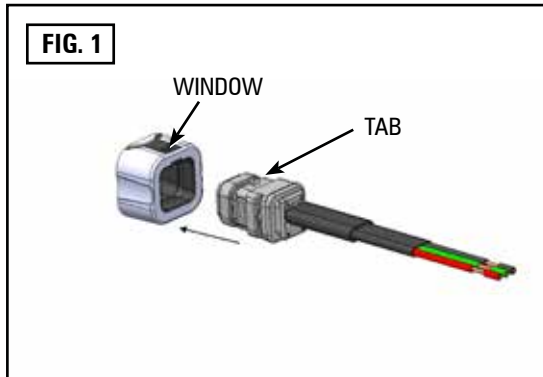


4" QUICK MOUNT



IMPORTANT NOTE:

Due to variations in the printing process and environmental factors, the sizes shown may not be accurate. If this document is used as a cutting template, it is the installers responsibility to confirm the accuracy of the dimensions shown and adjust accordingly.



RETENTION CLIP INSTRUCTIONS*

1. Plug harness into light housing, aligning tab to window, as shown in Fig 1.
2. Install the retainer clip over harness/light interface, inserting retainer into window, as shown in Fig. 2.
3. Press retainer clip's locking arm to snap closed.

*In the event the harness needs to be disengaged from the light, these instructions can be used to reattach and apply the retention clip.



with Clear Duty® Technology

4x2 LUCES SUPERFICIALES- 10,16 CM (4")

EMPSA05(xx)-(x) - MONTAJE RÁPIDO, MONTAJE CON TORNILLOS, MONTAJE CON PASADORES ROSCADOS

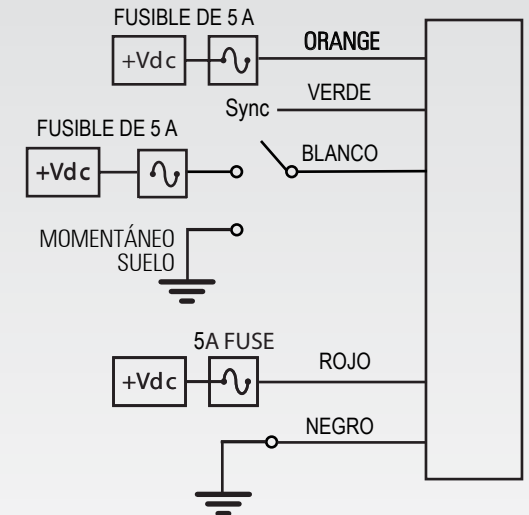
ESPECIFICACIONES TECNICAS

Dimensiones (desde la superficie de montaje)		11,51 cm x 3,8 cm x 1,09 cm	
10.16cm Montaje con tornillos:		10,35 cm x 3,8 cm x 1,09 cm	
10.16cm Montaje con pasadores roscados:		10,35 cm x 3,8 cm x 1,20 cm	
10.16cm Montaje adhesivo:		10,35 cm x 3,8 cm x 1,20 cm	
Voltaje de entrada:		9-32Vdc	
10.16cm CONSUMO DE CORRIENTE (Amps)			
12.8V CC		25.6V CC	
	Pico	Promedio	Pico
Rojo	1.4	0.70	0.75
Ambar, Blanco	1.7	0.85	0.9
Azul, Verde	1.9	0.95	0.95

TABLA DE CONEXIONES DE CABLES

COLOR DEL CABLE:	FUNCIÓN:
ROJO	Potencia (primaria)
NEGRO	Tierra
VERDE**	Sync2*
BLANCO a TIERRA	Función del cable (consulte la pág. 16)
BLANCO a POTENCIA	Cable de función/ Potencia (secundaria)
ROJO/BLANCO	Potencia (secundaria)

**Para sincronizar luces mPower múltiples, conectar el cable verde de cada luz juntos.



ADVERTENCIA
 Este producto contiene dispositivos LED de alta intensidad. Para prevenir el daño ocular. NO mirar directamente al rayo de luz a corta distancia.

Protegido por la patente de EE. UU. 10,703,260 y patentes pendientes
<https://soundoffsignal.com/legal/patent-notification/>

ADVERTENCIA

- ALTA CORRIENTE: las interconexiones deben estar debidamente terminadas. La calidad deficiente del engarzado puede causar la acumulación de calor e incendios. Siga las instrucciones del fabricante para el conector de engarzado.
- NO instale este producto ni trace ningún cableado en la zona de despliegue de la bolsa de aire. Consulte el manual del propietario del vehículo para obtener información de las zonas de despliegue.
- Durante el funcionamiento normal la unidad podría estar caliente al tacto.
- La instalación incorrecta de los conectores, fusibles o cableado podría causar la falla o el incendio del vehículo.
- La instalación debe ser realizada únicamente por un técnico capacitado. El instalador debe determinar la configuración del cableado del vehículo y la integración adecuada del sistema.
- Utilice un calibrador de cables adecuado. Todos los cables de alimentación conectados a un terminal de batería positivo (+) o negativo (-) o a la masa del chasis local (-) deben tener la dimensión adecuada para suministrar al menos 125 % de la corriente máxima y deben estar correctamente unidos con fusible a la fuente de energía.
- Instalar arandelas protectoras cuando se trace el cableado a través del cortafuego o metal.

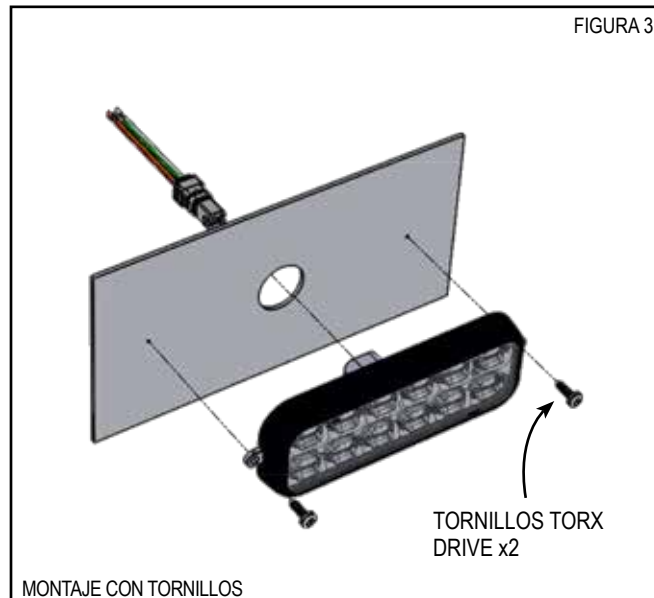
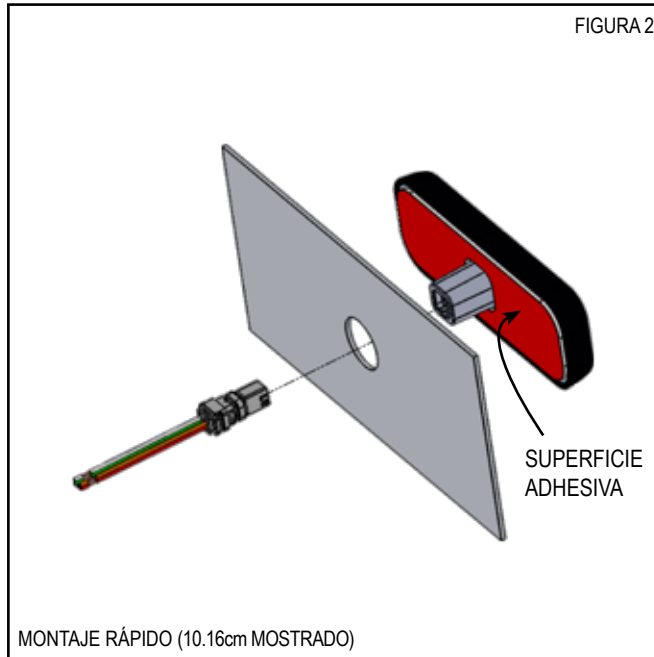
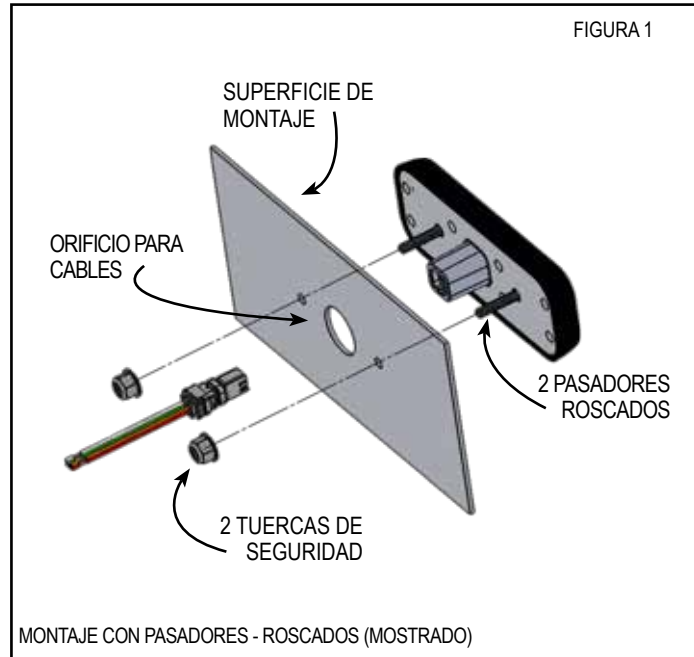
AVISO:

Los instaladores y usuarios deben cumplir todas las leyes federales, estatales y locales con respecto al uso y la instalación de dispositivos de advertencia. El uso o la instalación incorrecta podrían anular la cobertura de la garantía. Para revisar nuestra Declaración de garantía limitada y Política de devolución para este o cualquier producto de SoundOff Signal, visite nuestro sitio web www.soundoffsignal.com/sales-support. Si tiene alguna consulta con respecto a este producto, comuníquese con Servicios técnicos de lunes a viernes de 8 a. m. a 5 p. m. al 1.800.338.7337 (presione el n.º 4 para pasar el mensaje automático). Las preguntas o comentarios que no requieren una atención inmediata pueden enviarse por correo electrónico a techservices@soundoffsignal.com.



1.800.338.7337 / www.soundoffsignal.com

RELACIÓN SUPERIOR CON LOS CLIENTES. SOLUCIONES DE ILUMINACIÓN Y ELECTRÓNICA DISEÑADAS DE FORMA INTELIGENTE



INSTALACIÓN:

Montaje con pasadores roscados (Figura 1)

1. Perforar utilizando el patrón de los pasadores de montaje en pagina 18.
2. Elimine las rebabas del orificio según sea necesario.
3. Limpie la superficie según sea necesario.
4. Realice las conexiones de cables y pase el cable a través del orificio perforado para cables.
5. Instale la luz, inserte 2 pasadores en los 2 orificios perforados.
6. Instale 2 tuercas de seguridad en los pasadores por detrás de la superficie de montaje. Ajuste a mano solo hasta que la superficie de montaje y la luz estén alineados. Después de que la tuerca haga contacto total con la superficie de montaje, apriete 1/8 de vuelta (torque no más de 15 en libras.)



NO USE HERRAMIENTAS ELÉCTRICAS PARA APRETAR

Montaje rápido (Figura 2)

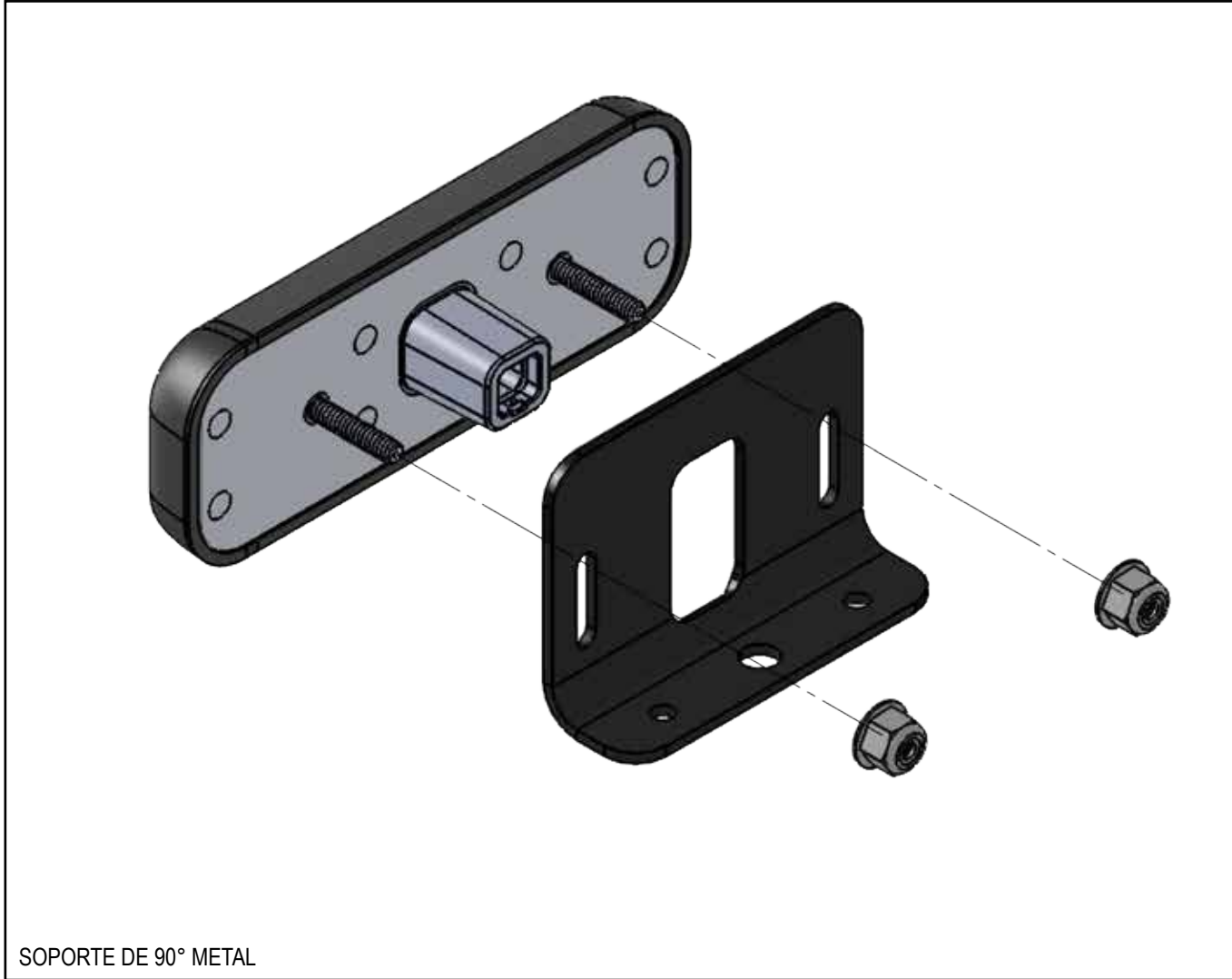
1. El patrón de preperforación por montaje rápido se indica en la página 18 (Orificio para el cable únicamente).
2. Elimine las rebabas del orificio según sea necesario.
3. Superficie limpia con toallita de alcohol suministrada.
4. Realice la conexión del cable y pase el cable a través del orificio para perforado para el cable.
5. Retire la tira adhesiva de respaldo y alinee con cuidado en la posición deseada. Aplique a la superficie y mantenga firmemente durante 30 segundos. **¡PRECAUCIÓN! APLIQUE PRESIÓN UNIFORME EN TODA LA EXTENSIÓN DE LA LUZ.**

Montaje con tornillos (Figura 3)

1. El patrón de preperforación por montaje con tornillos se indica en la página 16.
2. Elimine las rebabas y limpie la superficie según sea necesario.
3. Realice las conexiones de cables y pase el cable a través del orificio perforado para cables.
4. Instale la luz con 2 tornillos sin fin Torx y ajuste a mano solo hasta que la superficie de montaje y la luz estén alineados.

mpower®

with Clear Duty® Technology



SOPORTE DE 90° METAL

SoundOff Signal

1.800.338.7337 / www.soundoffsignal.com

13

INSTALACIÓN:

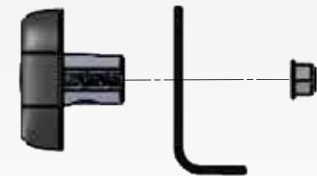
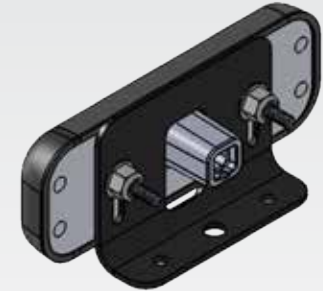
Soporte de montaje múltiple

1. Preperfore los orificios de montaje según sea necesario. Los orificios del soporte y el espaciado se indican en la página 16.
2. Coloque el soporte sobre la superficie deseada del vehículo y asegúrelo con tornillos (no provistos).
3. Instale el dissipador de calor en la luz mpower® montaje con pasador roscado según se indica. Pase el cable por el orificio central.
4. Instale la luz mpower® montaje con pasador roscado sobre el soporte según se indica. El cable pasa por la descarga trasera.
5. Instale 2 tuercas de seguridad en la luz mpower® montaje con pasador roscado según se indica. Ajuste a mano hasta el tope.
6. Ajuste el ángulo de la luz en la dirección deseada y ajuste 2 tuercas de seguridad hasta que queden fijas. Después de que la tuerca haga contacto total con la superficie de montaje, apriete 1/8 de vuelta (torque no más de 15 en libras.)

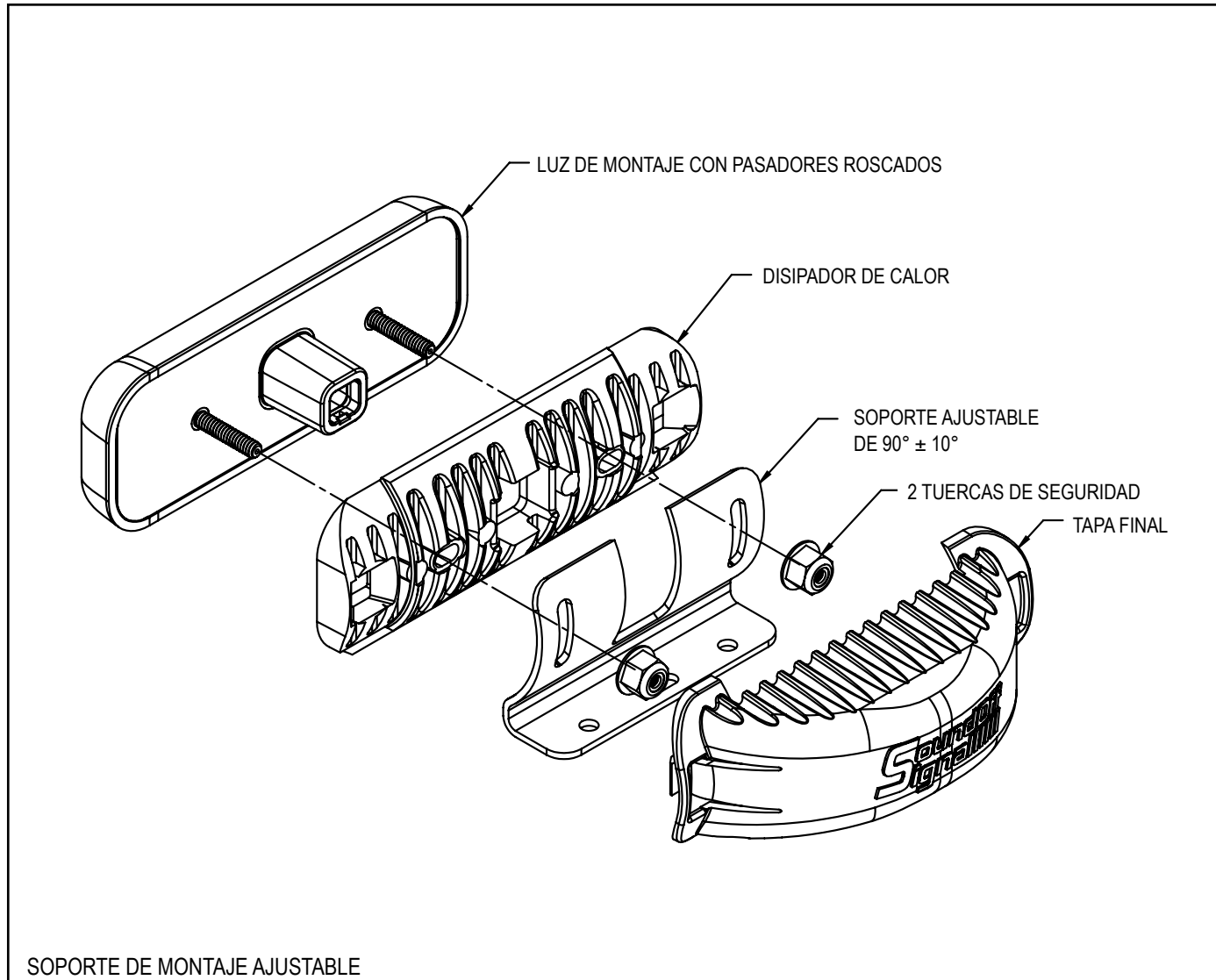


**NO USE HERRAMIENTAS
ELÉCTRICAS PARA
APRETAR**

7. Realice las conexiones de cables.



with Clear Duty® Technology



SoundOff Signal

1.800.338.7337 / www.soundoffsignal.com

INSTALACIÓN:

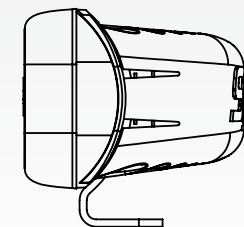
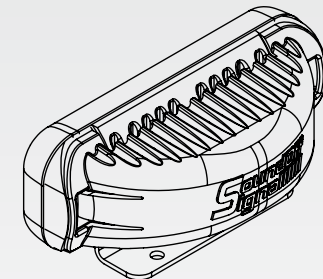
90° Soporte de montaje ajustable PMP5ABKDGAJ

1. Preperfore los orificios de montaje según sea necesario. Los orificios del soporte y el espaciado se indican en la página 18.
2. Coloque el soporte sobre la superficie deseada del vehículo y asegúrelo con tornillos (no provistos).
3. Instale el disipador de calor en la luz mpower® Montaje con pasador roscado según se indica. Pase el cable por el orificio central.
4. Instale la luz mpower® Montaje con pasador roscado sobre el soporte según se indica. El cable pasa por la descarga trasera.
5. Instale 2 tuercas de seguridad en la luz mpower® Montaje con pasador roscado según se indica. Ajuste a mano hasta el tope.
6. Ajuste el ángulo de la luz en la dirección deseada y ajuste 2 tuercas de seguridad hasta que queden fijas. Después de que la tuerca haga contacto total con la superficie de montaje, apriete 1/8 de vuelta (torque no más de 15 en libras.)



**NO USE HERRAMIENTAS
ELÉCTRICAS PARA
APRETAR**

7. Realice las conexiones de cables.





with Clear Duty® Technology

PROTECCIÓN CONTRA SOBRETENSIÓN

Cuando se detecte una condición de sobretensión, el módulo emitirá un patrón de advertencia de sobretensión de 50 mS ENCENDIDO/950 mS APAGADO para alertar acerca de la condición de sobretensión y proteger los componentes electrónicos del daño causado por el calor/la tensión.

PROTECCIÓN POR COMPENSACIÓN TÉRMICA

El módulo LED está diseñado para proveer una salida de potencia máxima a la vez que provee protección a los componentes electrónicos mediante la reducción de la salida de potencia a temperaturas extremas.

SYNC2

La sincronización del parpadeo de múltiples módulos de luces se logra a través de la conexión de los cables verdes de diferentes módulos de luces juntos. Se pueden conectar hasta 24 módulos de luces para un parpadeo sincronizado. Todos los patrones de parpadeo se deben ajustar al mismo n.º de patrón para asegurar un funcionamiento correcto. Consulte la sección Tipo de secuencia en la Tabla de configuraciones (pagina 8) para configurar los módulos de luces de manera que parpadeen en patrones alternativos o simultáneos. NOTA: NO funcionará con productos que no sean Sync2 como Ghost, LED3 e cableado. FUNCIONARÁ con los productos Sync2 nFORCE luces secundarias, nFORCE FIT y luces de cableado de 5 intersección de color doble.

PATRONES DE PARPADEO					
N.º DE PATRÓN	COLOR ÚNICO	COLOR DOBLE	COLOR TRIPLE	CUMPLE SAE	CUMPLE CALIFORNIA TITULO 13
1		QUINT		X	
2		WARP			
3		INTER-CYCLE			
4		DOUBLE		X	
5		QUAD		X	
6		POWER PULSE		X	
7		ROAD RUNNER		X	X
8		Q-SWITCH		X	
9		STEADY-BURN/ROADRUNNER (TIPO DE SECUENCIA 1: STEADY BURN, TIPO DE SECUENCIA 2: ROADRUNNER)		X	X
10		STEADY-BURN DRIVER TITLE 13 QUAD (TIPO DE SECUENCIA 1: STEADY BURN, TIPO DE SECUENCIA 2: TITLE 13 QUAD)		X	X
11		QUAD 2		X	
12		DOUBLE 2		X	X
13		RANDOM 1			
14		RANDOM 2			
15		POWER PULSE-POP		X	X



1.800.338.7337 / www.soundoffsignal.com



with Clear Duty® Technology

TABLAS DE FUNCIONES

La operación funcional del módulo LED se puede modificar si se aplica el +V al cable rojo con el cable negro conectado a tierra. Cuando la luz está parpadeando, conectar momentáneamente el cable blanco a tierra durante >4 S y <5 S (la luz variará de estable alta a estable baja, a apagada, a estable alta, a estable baja) y desconectar. La tabla de funciones avanzará a la siguiente tabla (tabla 1 a tabla 2, tabla 2 a tabla 3, tabla 3 a tabla 4, o tabla 4 a tabla 1). Repita el proceso arriba mencionado hasta que se active la tabla de funciones requerida.

TABLA DE FUNCIONALIDAD 1						
CABLE			LIGERO			
ROJO	NARANJA	BLANCO	SOLTERA	DIVISIÓN	DOBLE	TRIPLE
X			PARPADEO	PARPADEO DOBLE	PARPADEO DOBLE	PARPADEO TRIPLE
	X		CRUCERO	ESTABLE TRANSP. 2	ESTABLE TRANSP. 2	ESTABLE TRANSP. 3
X	X		PARPADEO	ESTABLE TRANSP. 2	ESTABLE TRANSP. 2	ESTABLE TRANSP. 3
		X	NO OP	NO OP	NO OP	NO OP
X		X	PARPADEO DE POTENCIA BAJA	PARPADEO TRANSP. 1	PARPADEO TRANSP. 1	PARPADEO TRANSP. 1
	X	X	CRUCERO	PARPADEO TRANSP. 2	PARPADEO TRANSP. 2	PARPADEO TRANSP. 2
X	X	X	PARPADEO DE POTENCIA BAJA	PARPADEO DOBLE	PARPADEO DOBLE	PARPADEO TRANSP. 3

TABLA DE FUNCIONALIDAD 2						
CABLE			LIGERO			
ROJO	NARANJA	BLANCO	SOLTERA	DIVISIÓN	DOBLE	TRIPLE
X			PARPADEO	PARPADEO TRANSP. 1	PARPADEO TRANSP. 1	PARPADEO DOBLE
	X		ESTABLE TRANSP. 1	PARPADEO DOBLE	ESTABLE TRANSP. 2	ESTABLE TRANSP. 3
X	X		ESTABLE TRANSP. 1	PARPADEO DOBLE	ESTABLE TRANSP. 2	ESTABLE TRANSP. 3
		X	ESTABLE TRANSP. 1	ESTABLE TRANSP. 2	ESTABLE TRANSP. 2	ESTABLE TRANSP. 3
X		X	CRUCERO	PARPADEO TRANSP. 1 / ESTABLE TRANSP. 2	PARPADEO DOBLE	PARPADEO TRIPLE
	X	X	ESTABLE TRANSP. 1	ESTABLE TRANSP. 2	ESTABLE TRANSP. 2	ESTABLE TRANSP. 3
X	X	X	ESTABLE TRANSP. 1	ESTABLE TRANSP. 2	ESTABLE TRANSP. 2	ESTABLE TRANSP. 3

TABLA DE FUNCIONALIDAD 3						
CABLE			LIGERO			
ROJO	NARANJA	BLANCO	SOLTERA	DIVISIÓN	DOBLE	TRIPLE
X			PARPADEO	PARPADEO DOBLE	PARPADEO DOBLE	PARPADEO TRIPLE
	X		PARPADEO DE POTENCIA BAJA	PARPADEO DOBLE, POTENCIA BAJA	PARPADEO DOBLE, POTENCIA BAJA	PARPADEO TRIPLE, POTENCIA BAJA
X	X		PARPADEO DE POTENCIA BAJA	PARPADEO DOBLE, POTENCIA BAJA	PARPADEO DOBLE, POTENCIA BAJA	PARPADEO TRIPLE, POTENCIA BAJA
		X	NO OP	NO OP	NO OP	NO OP
X		X	PARPADEO DE POTENCIA BAJA	PARPADEO DOBLE, POTENCIA BAJA	PARPADEO DOBLE, POTENCIA BAJA	PARPADEO TRIPLE, POTENCIA BAJA
	X	X	PARPADEO DE POTENCIA BAJA	PARPADEO DOBLE, POTENCIA BAJA	PARPADEO DOBLE, POTENCIA BAJA	PARPADEO TRIPLE, POTENCIA BAJA
X	X	X	LOW PWR FLASH	PARPADEO DOBLE, POTENCIA BAJA	PARPADEO DOBLE, POTENCIA BAJA	PARPADEO TRIPLE, POTENCIA BAJA

TABLA DE FUNCIONALIDAD 4						
CABLE			LIGERO			
ROJO	NARANJA	BLANCO	SOLTERA	DIVISIÓN	DOBLE	TRIPLE
X				PARPADEO TRANSP. 1	PARPADEO TRANSP. 1	PARPADEO DOBLE
	X			PARPADEO TRANSP. 2	PARPADEO DOBLE	PARPADEO TRIPLE
X	X			PARPADEO DOBLE	PARPADEO DOBLE	PARPADEO TRIPLE
		X		NO OP	ESTABLE TRANSP. 2	ESTABLE TRANSP. 3
X		X		PARPADEO TRANSP. 1 / POTENCIA BAJA	PARPADEO TRANSP. 1 / ESTABLE TRANSP. 2	PARPADEO DOBLE / ESTABLE TRANSP. 3
	X	X		FLASH COLOR 2 LOW PWR	PARPADEO DOBLE / ESTABLE TRANSP. 2	PARPADEO TRIPLE / ESTABLE TRANSP. 3
X	X	X		DOBLE FLASH BAJO PWR	PARPADEO DOBLE / ESTABLE TRANSP. 2	PARPADEO TRIPLE / ESTABLE TRANSP. 3

NOTA: La función de intercambio de color funciona para luces de colores divididos



1.800.338.7337 / www.soundoffsignal.com



with Clear Duty® Technology

CAMBIO DE COLORES

Esta función es válida únicamente para módulos de luces dobles y triples y Cuando la luz esté parpadeando, conectar momentáneamente el cable blanco a tierra durante >2 S y <3 S (la luz variará de estable alta a estable baja, a apagada) y desconectar. El módulo de luces cambiará entre Cambio de colores APAGADO y Cambio de colores ENCENDIDO. Cuando el Cambio de colores esté APAGADO, el 1° color parpadeará primero en un patrón de color doble/triple. Cuando el Cambio de colores esté ENCENDIDO, el 2° color parpadeará primero en un patrón de color doble/triple.

FUNCIÓN SIMULTÁNEA/ALTERNATIVA/AMBOS/WIG-WAG

Esta función solo tiene efecto cuando al menos 2 módulos LED tienen los cables de sincronización verde conectados juntos. Cuando la luz esté parpadeando, conectar momentáneamente el cable blanco a tierra durante >3 S y <4 S (la luz variará de estable alta a estable baja, a apagada, a estable alta) y desconectar. El módulo de luces variará entre Simultánea y Alternativa cada vez que se realice esta secuencia. Para que los módulos de luces parpadeen simultáneamente, ambos módulos de luces deben estar ajustados al mismo tipo de secuencia (Tabla de configuraciones). Para que los módulos de luces parpadeen de manera alternativa, los módulos de luces deben estar ajustados a diferentes tipos de secuencias (Tabla de configuraciones).

PATRÓN DE AVANCE

Cuando la luz esté parpadeando, conectar momentáneamente el cable blanco a tierra durante >250 mS y <1 mS (la luz será estable alta) y desconectar. El patrón de parpadeo avanzará al siguiente patrón. Si el módulo de luces se encontraba en el último patrón, el patrón se reiniciará al 1° patrón.

PATRÓN DE RESPALDO

Cuando la luz esté parpadeando, conectar momentáneamente el cable blanco a tierra durante >1 S y <2 S (la luz variará de estable alta a estable baja) y desconectar. El patrón de parpadeo regresará al patrón anterior. Si el módulo de luces se encontraba en el primer patrón, el patrón cambiará al último patrón en la lista.

RESTABLECIMIENTO DEL PATRÓN

Cuando la luz está parpadeando, conectar momentáneamente el cable blanco a tierra durante >5 S y <6 S (la luz variará de estable alta a estable baja, a apagada, a estable alta, a estable baja, a apagada) y desconectar. El patrón de parpadeo regresará al primer patrón en la lista.

RESTABLECIMIENTO DE FÁBRICA

Cuando la luz esté parpadeando, conectar momentáneamente el cable blanco a tierra durante >6 S y <7 S (la luz variará de estable alta a estable baja, a apagada, a estable alta, a estable baja, a apagada, a estable alta) y desconectar. El módulo LED se restablecerá a: Patrón=1, Tabla de funciones= 1, Cambio de colores= APAGADO, Simultánea.

CABLE DE CONFIGURACIÓN DE BLOQUEO

Esta función desactivará el modo de configuración de derivación de cables que se activa al mantener el cable blanco a tierra. El bloqueo se activa aplicando tierra al cable blanco durante > 8 segundos y <9 segundos según la tabla siguiente. La función se puede desactivar tocando el cable a tierra y soltándolo 8 veces en 5 segundos. La luz parpadeará 8 veces cuando la función esté habilitada o deshabilitada para notificar al usuario de un cambio de configuración.

TABLA DE CONFIGURACIONES			
SEGUNDOS		INTERFAZ DEL USUARIO	
DE	A	INDICACIÓN VISUAL	ACCIÓN REALIZADA
0	1	ESTABLE ALTA (60 %)	AVANZAR UN PATRÓN
1	2	ESTABLE BAJA (30 %)	RETROCEDER UN PATRÓN
2	3	APAGADO	CAMBIO DE COLORES (APAGADO O ENCENDIDO)
3	4	ESTABLE ALTA (60 %)	TIPO DE SECUENCIA: SIMULTÁNEA O ALTERNATIVA
4	5	ESTABLE BAJA (30 %)	VER TABLA DE FUNCIONES
5	6	APAGADO	RESTABLECER AL PATRÓN 1
6	7	ESTABLE ALTA (60 %)	RESTABLECIMIENTO DE FÁBRICA (PATRÓN 1, CAMBIO DE COLORES: APAGADO, SIMULTÁNEA) CONTROL DE COLOR SEPARADO: APAGADO
7	8	ESTABLE BAJA (30 %)	CABLE DE CONFIGURACIÓN DE BLOQUEO
Si se mantiene por más de 8 segundos, la luz volverá a parpadear en el patrón actual y no se realizará ninguna acción.			



1.800.338.7337 / www.soundoffsignal.com



with Clear Duty® Technology

MODO REMOTO: PARA UTILIZAR CON EL SISTEMA bluePRINT ÚNICAMENTE

La conexión del cable verde a tierra antes de aplicar potencia a los cables rojos o rojos/blancos colocará al módulo LED en modo remoto y el color de generación de luz será controlado directamente por los cables de entrada como se muestra a continuación.

Para el control en Modo crucero o Potencia baja del módulo LED, la señal a los cables de control debe ser de 100 +/- 2 Hz con el uso de las entradas del ciclo de funcionamiento enumeradas a continuación para producir la generación de luz.

4x2 Funcionalidad del Modo remoto de la luz LED secundaria mpower®								
CABLE			LIGERO					
ROJO	NARANJA	BLANCO	SOLTERO	DIVISIÓN	Color doble		COLOR TRIPLE	
					Cambio de colores= APAGADO	Cambio de colores= ENCENDIDO	Cambio de colores= APAGADO	Cambio de colores= ENCENDIDO
Modo crucero	OFF	OFF	Color Modo crucero 1	Color Modo crucero 1	Color Modo crucero 1	Color Modo crucero 2	Color Modo crucero 1	Color Modo crucero 2
OFF	Modo crucero	OFF	NO OP	Color Modo crucero 2	Color Modo crucero 2	Color Modo crucero 1	Color Modo crucero 2	Color Modo crucero 1
Modo crucero	Modo crucero	OFF	NO OP	Color Modo crucero 1 y 2	Color Modo crucero 2	Color Modo crucero 1	Color Modo crucero 3	Color Modo crucero 3
*	*	Estable ENCENDIDO	NO OP	Color de Estable ENCENDIDO 2 (Anular)	Color de Estable ENCENDIDO 2 Banco Inferior (Anular)	Color de Estable ENCENDIDO 1 Banco Inferior (Anular)	Color de Estable ENCENDIDO 3 Banco Inferior (Anular)	Color de Estable ENCENDIDO 3 Banco Inferior (Anular)
OFF	OFF	Estable ENCENDIDO	NO OP	Color de Estable ENCENDIDO 2	Color de Estable ENCENDIDO 2	Color de Estable ENCENDIDO 1	Color de Estable ENCENDIDO 3	Color de Estable ENCENDIDO 3
Parpadeo	OFF	OFF	Color de Parpadeo 1	Color de Parpadeo 1	Color de Parpadeo 1	Color de Parpadeo 2	Color de Parpadeo 1	Color de Parpadeo 2
OFF	Parpadeo	OFF	NO OP	Color de Parpadeo 2	Color de Parpadeo 2	Color de Parpadeo 1	Color de Parpadeo 2	Color de Parpadeo 1
Parpadeo	Parpadeo	OFF	NO OP	Color de Parpadeo 1 y 2	Color de Parpadeo 2	Color de Parpadeo 1	Color de Parpadeo 3	Color de Parpadeo 3
*	*	Parpadeo	NO OP	Color de Parpadeo 2 (Anular)	Color de Parpadeo Banco Inferior (Anular)	Color de Parpadeo Banco Inferior (Anular)	Color de Parpadeo Banco Inferior (Anular)	Color de Parpadeo 3 Banco Inferior (Anular)
OFF	OFF	Parpadeo	NO OP	Color de Parpadeo 2	Color de Parpadeo 2	Color de Parpadeo 1	Color de Parpadeo 3	Color de Parpadeo 3
Estable ENCENDIDO	OFF	OFF	Color de Estable ENCENDIDO 1	Color de Estable ENCENDIDO 1	Color de Estable ENCENDIDO 1	Color de Estable ENCENDIDO 2	Color de Estable ENCENDIDO 1	Color de Estable ENCENDIDO
OFF	Estable ENCENDIDO	OFF	NO OP	Color de Estable ENCENDIDO 2	Color de Estable ENCENDIDO 2	Color de Estable ENCENDIDO 1	Color de Estable ENCENDIDO 2	Color de Estable ENCENDIDO 1
Estable ENCENDIDO	Estable ENCENDIDO	OFF	NO OP	Color de Estable ENCENDIDO 1 y 2	Color de Estable ENCENDIDO 2	Color de Estable ENCENDIDO 1	Color de Estable ENCENDIDO 3	Color de Estable ENCENDIDO 3

Parpadeo de CC de potencia baja (a 100 Hz)	
Entrada	Potencia de luz
70 %	30 %
80 %	40 %
90 %	50 %

Ciclo de funcionamiento de Modo crucero (a 100 Hz)	
Entrada	Potencia de luz
40 %	APAGADO
50 %	5 %
60 %	10 %

NOTA 1: Los cables naranja y blanco no se utilizan para luces de un solo color

NOTA 2: El cable de anulación blanco anulará el banco inferior con el color más alto disponible, cuando esté activado

NOTA 3: El cable blanco no admite entrada PWM (cruce o de baja potencia)

NOTA 4: Solo los modos de funcionamiento definidos anteriormente son admitidos.

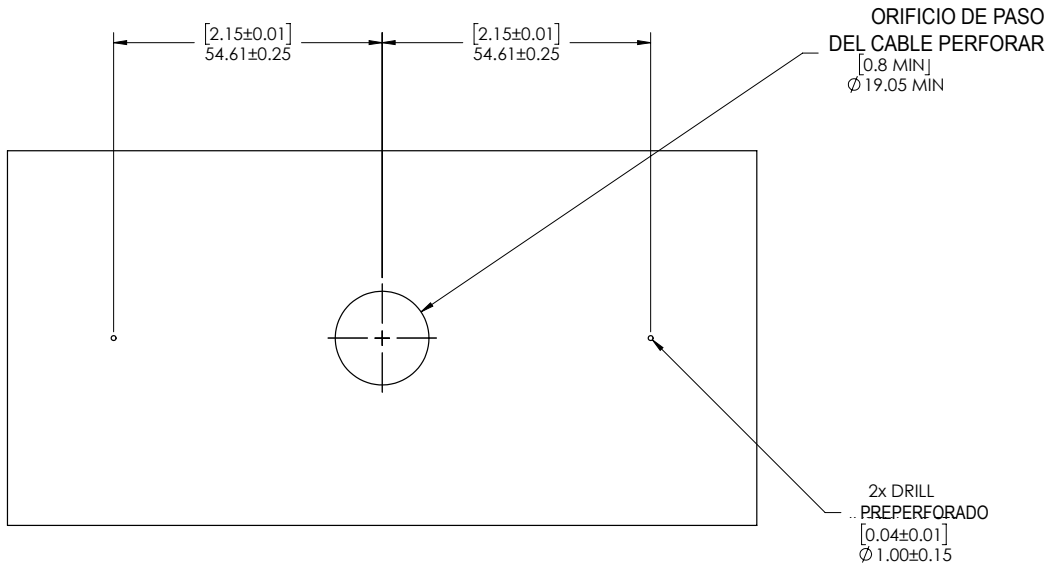
NOTA 5: La configuración de intercambio de color es válida para luces de dos colores split, individuales, duales y tricolores. Si está habilitado, se intercambiarán las funciones de color 1 y color 2



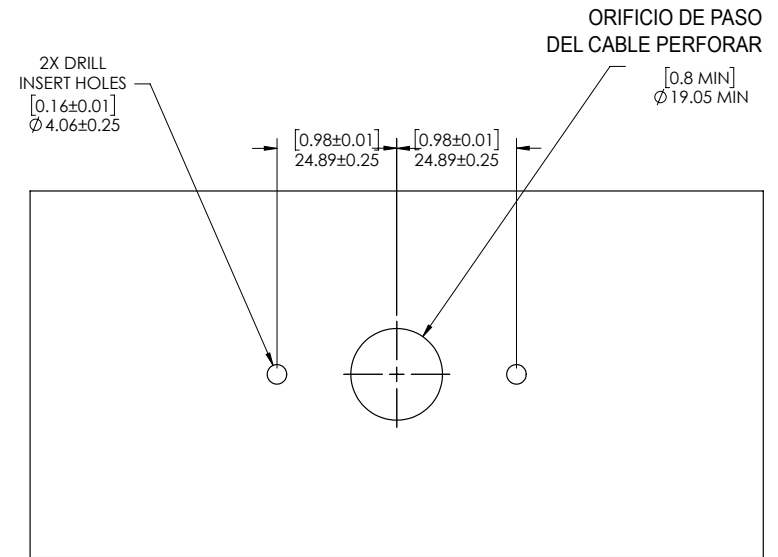
1.800.338.7337 / www.soundoffsignal.com

LUCES SUPERFICIALES - 10.16cm

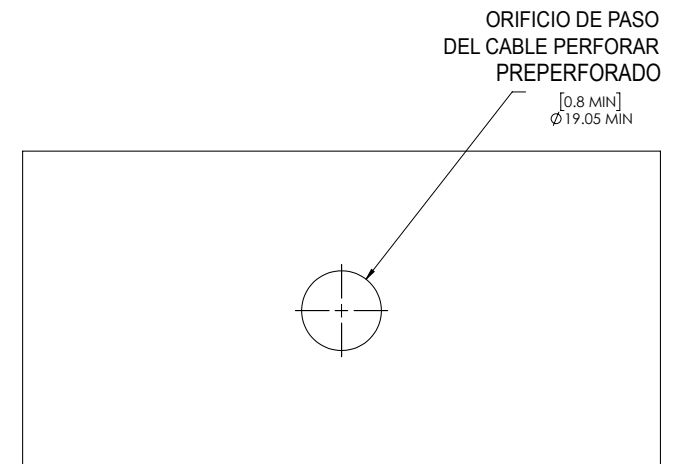
PATRÓN DE ORIFICIO DE MONTAJE CON TORNILLOS



PLANTILLA ROSCADA DE MONTAJE CON TORNILLOS

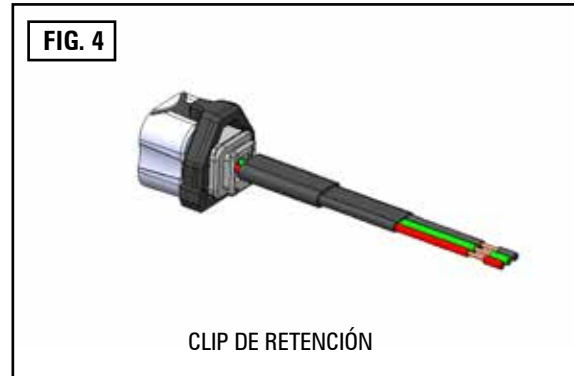
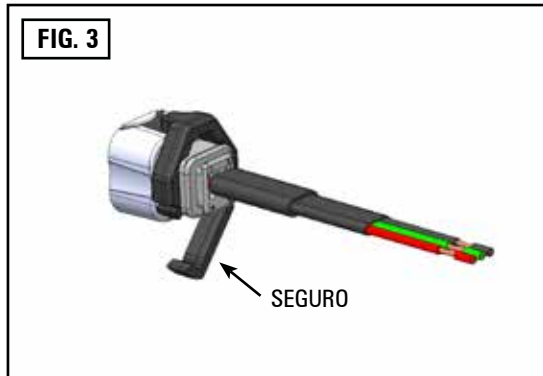
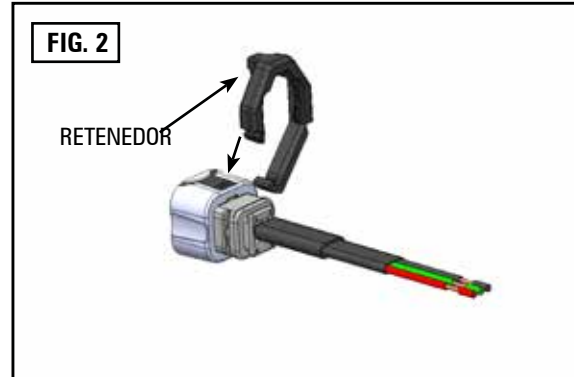
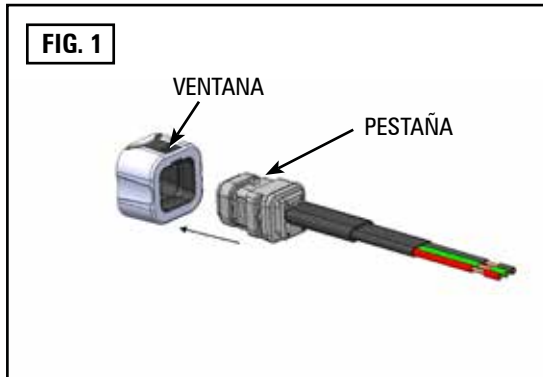


PATRÓN DE ORIFICIO DE MONTAJE RÁPIDO



NOTA IMPORTANTE:

Debido a las variaciones en el proceso de impresión y a factores ambientales, los tamaños mostrados podrían ser imprecisos. Si este documento se utiliza como patrón de corte, es responsabilidad de los instaladores confirmar la precisión de las dimensiones mostradas y ajustarlas de manera correspondiente.



INSTRUCCIONES DEL CLIP DE RETENCIÓN *

1. Conecte el arnés a la carcasa de la luz, alineando la pestaña con la ventana, como se muestra en la Fig 1.
2. Instale el clip de retención sobre la interfaz arnés/luz, insertando el retenedor en la ventana, como se muestra en la Fig. 2.
3. Presione el seguro del clip de retención para cerrarlo.

* En caso de que sea necesario desenganchar el arnés de la luz, estas instrucciones se pueden usar para volver a colocar y aplicar el clip de retención.