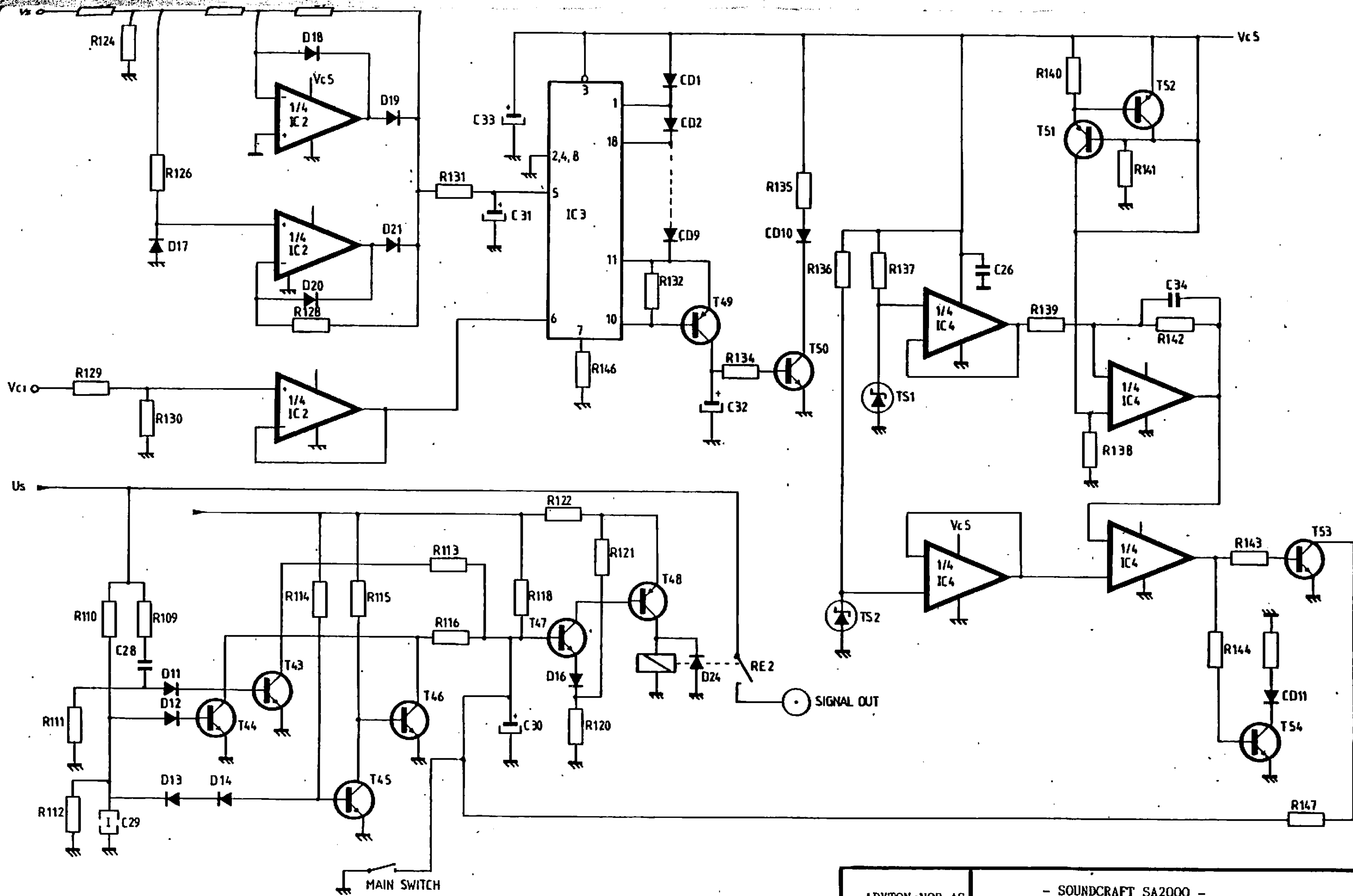
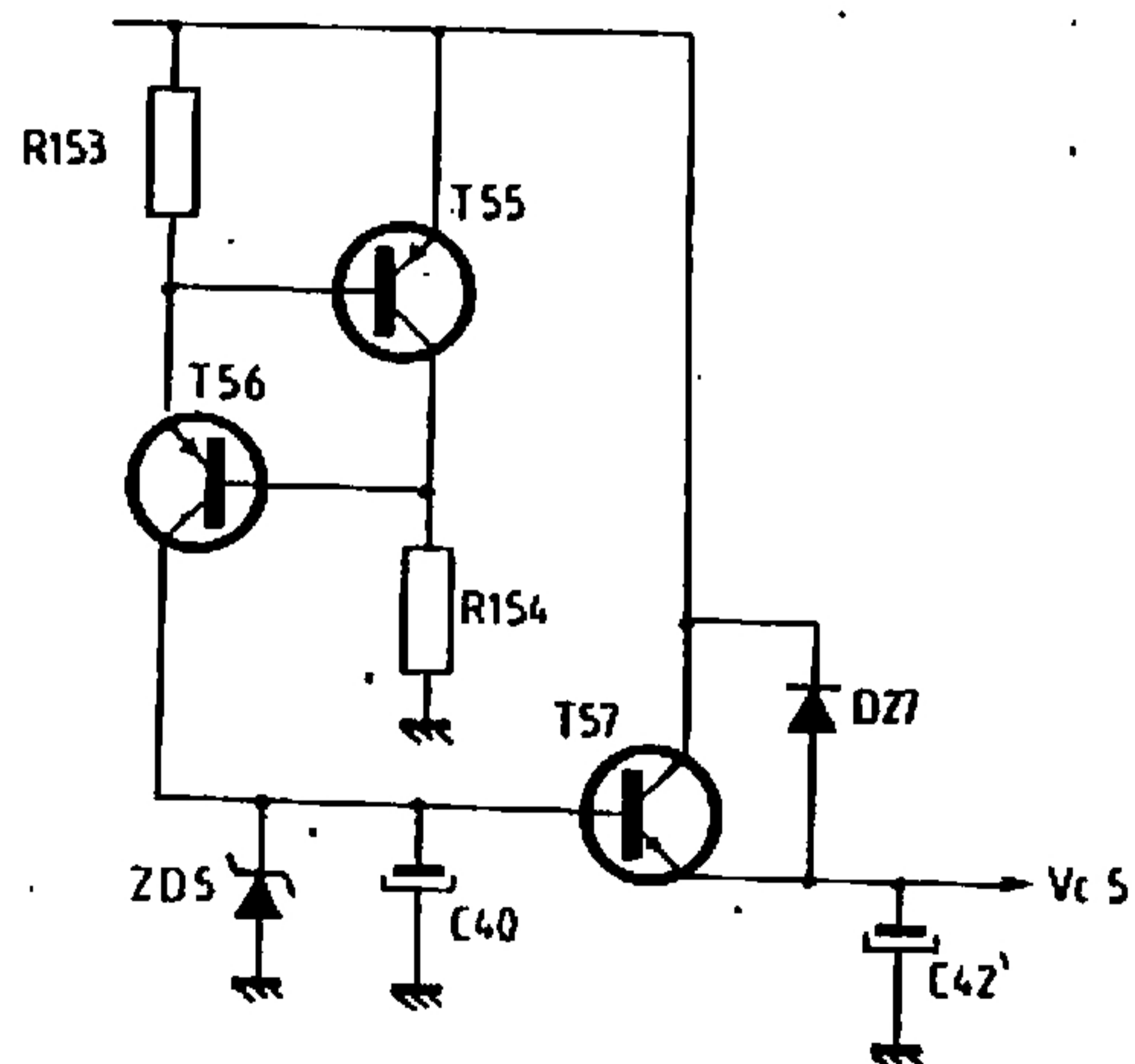
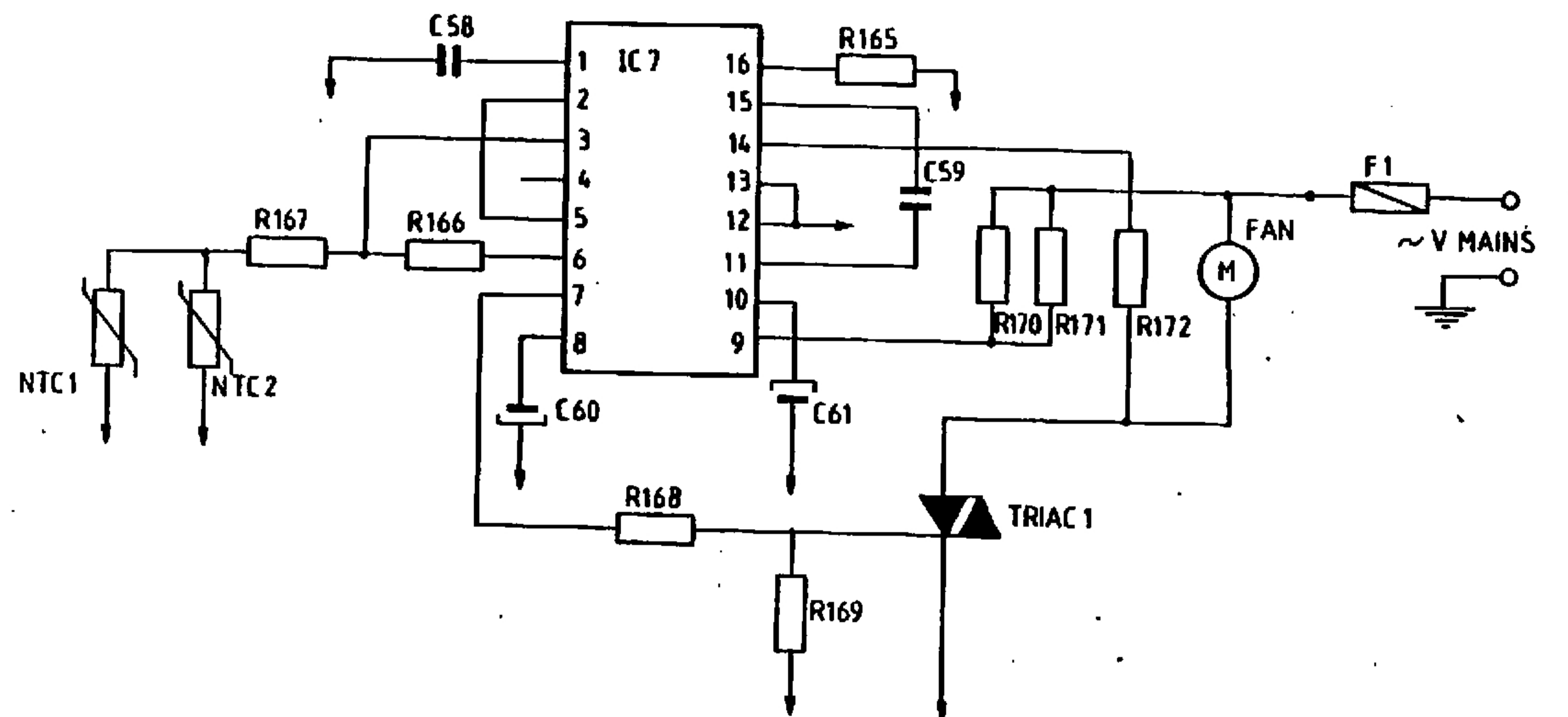
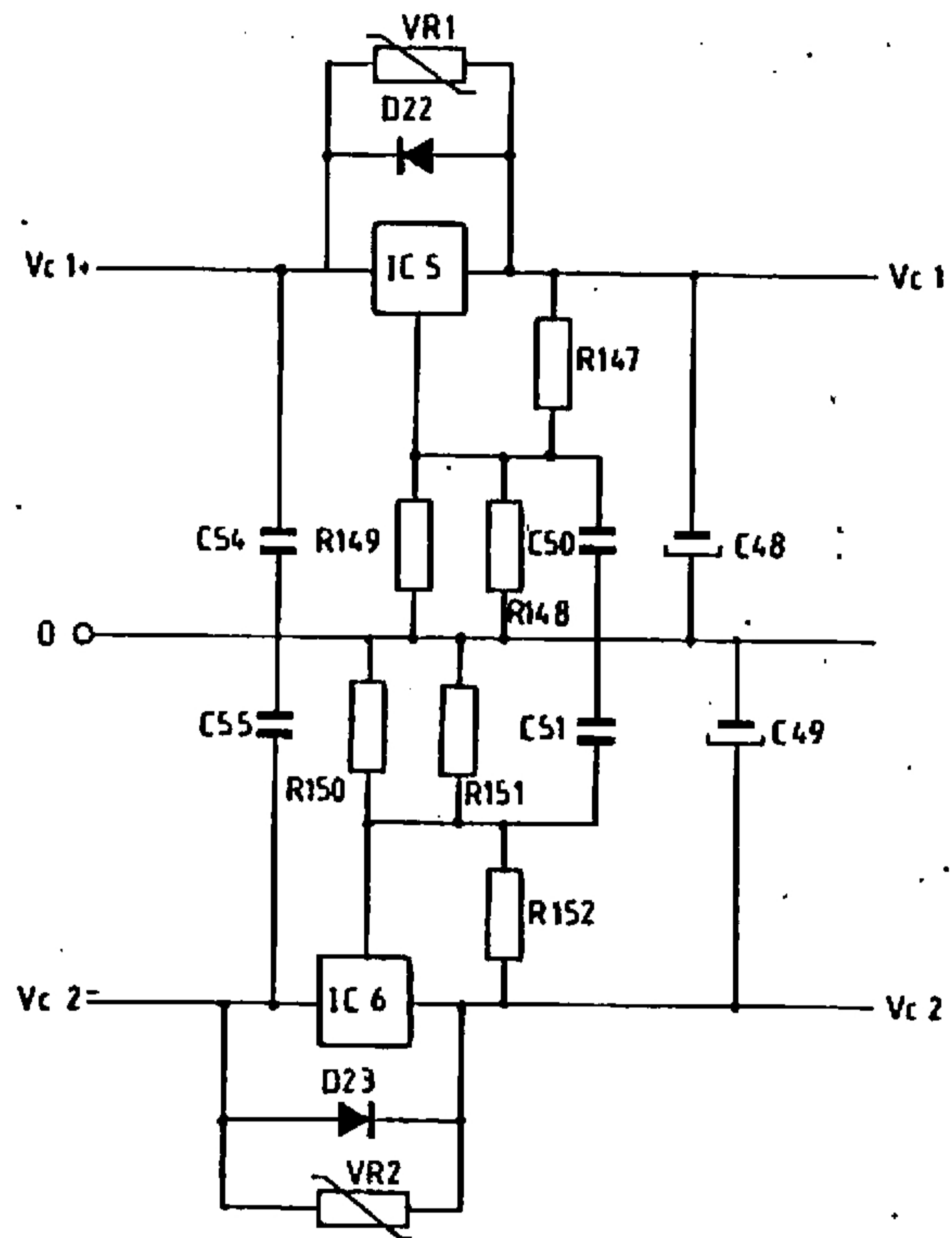


ADYTON NOR AS		-SOUNDCRAFT SA2000 -		
CH B AMPLIFIER CIRCUITRY, MONO COUPL. CIRCUITRY				
DRAWN	18.06.83 S.H.	SYST. Design:	DRAW No	PAGE
CHECKED	20.07.84		782001	5 (5)
APPROVED				FILE REF.



ADYTON · NOR AS		- SOUNDCRAFT SA2000 -		
DRAWN 18.06.83SH.		LED METER, PROTECTION CIRCUITRY		
CHECKED 20.07.84	SYST. Design:	DRAW No 782001	PAGE 4 (5)	FILE REF.
APPROVED				



ADYTON NOR AS		- SOUNDCRAFT SA2000 -			
DRAWN 18.06.83 S.H.		VOLTAGE REGULATORS, FAN CONTROLLER			
CHECKED 20.07.84	SYST. Design:	DRAW No 782001	PAGE 3 (5)	FILE REF.	
APPROVED					