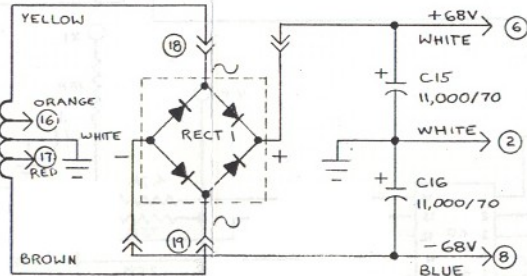
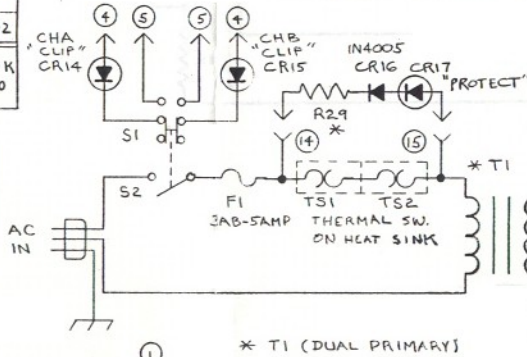


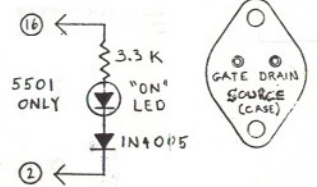
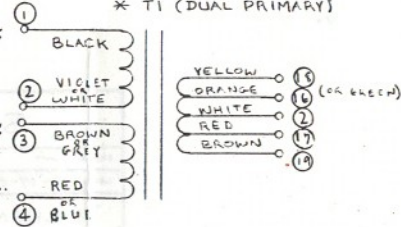
* PART NO.	MODEL 2502	5501	1801	5502
R2	470K	47K	47K	470K
R14	820	620	820	620

* PART NO.	120 VAC	240 VAC
R29	10K	43K
T1	24G4	250P



FOR 240VOLT OPERATION:
 ② AND ③ ARE TIED TOGETHER. INPUT ON ① AND ④ (SERIES)

FOR 120 VOLT OPERATION:
 ② AND ④ ARE TIED TOGETHER. ① AND ③ TIED TOGETHER. (PARALLEL)



Q10, Q11, Q13, Q14
 BOTTOM VIEW.

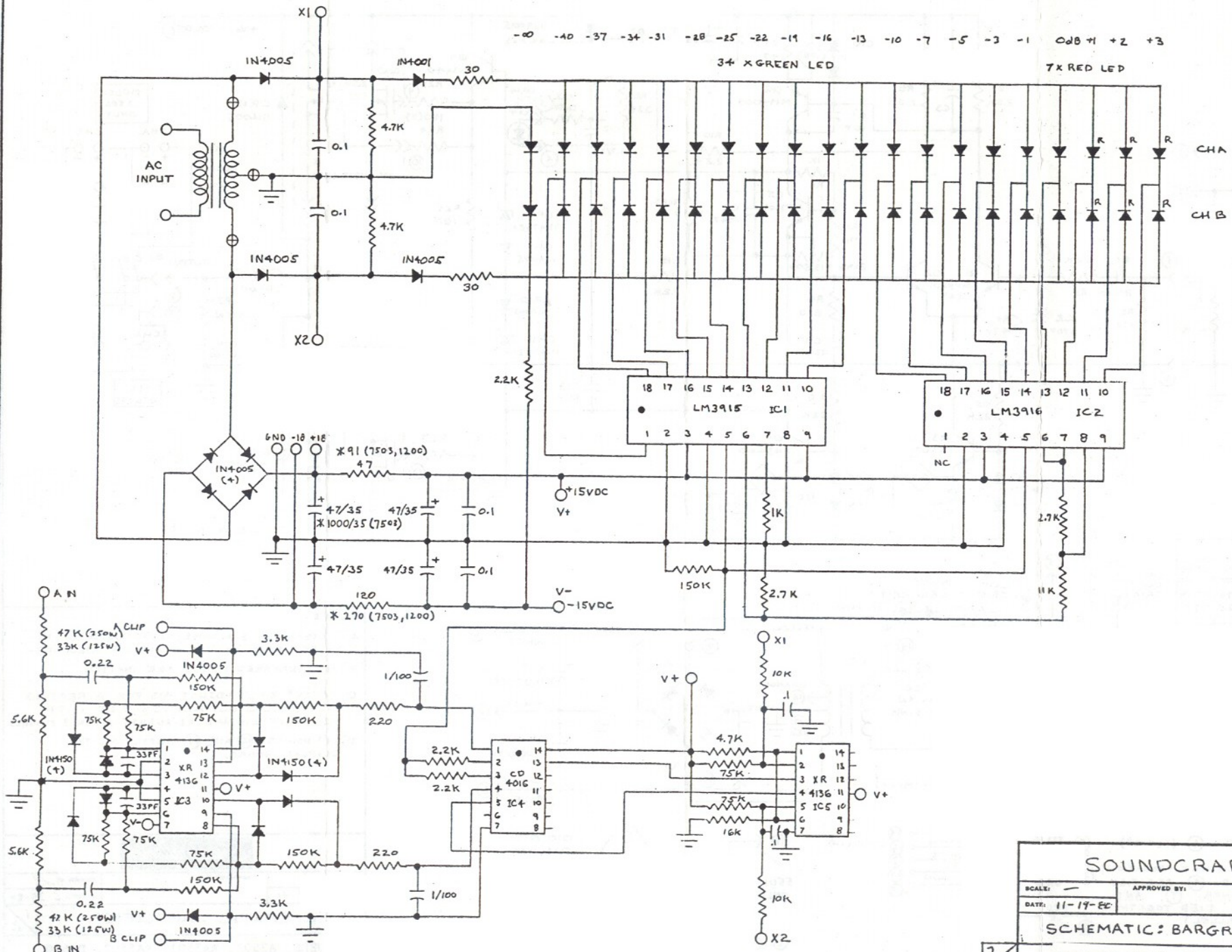
- NOTES:
- A) RESISTANCE IS IN OHMS, CAPACITANCE IS IN MICROFARADS UNLESS OTHERWISE SPECIFIED.
 - B) ALL UNMARKED DIODES ARE IN4150.
 - C) TO SET BIAS: ADJUST R13 FOR A READING OF 0.8 VOLTS DC. ACROSS R25 WITH NO INPUT SIGNAL. RE-ADJUST AFTER 3 MINUTES.
 - D) TIE POINTS ⑩ AND ⑪ SUPPLY AC TO DISPLAY BOARD.

Soundcraftsmen

SCALE: 1-1	APPROVED BY:	DRAWN BY: AH
DATE: 11-4-91		REVISED: 6-28-84

SCHEMATIC : AMPLIFIER

MODELS: A2502, RA5501, RA5502, DJ600, REFERENCE 2 & PA2X200.



-∞ -40 -37 -34 -31 -28 -25 -22 -19 -16 -13 -10 -7 -5 -3 -1 0dB +1 +2 +3

34 X GREEN LED 7 X RED LED

CHA
CHB

18 17 16 15 14 13 12 11 10
● LM3915 IC1
1 2 3 4 5 6 7 8 9

18 17 16 15 14 13 12 11 10
● LM3916 IC2
1 2 3 4 5 6 7 8 9
NC

SOUNDCRAFTSMEN

SCALE: —	APPROVED BY:	DRAWN BY: JH
DATE: 11-19-80		REVISED: 6-27-84
SCHEMATIC: BARGRAPH INDICATOR		
MODELS: A2502, REFERENCE 2 & RA5502		