



SIGMA
SWITCHES PLUS

1 & 1U SERIES

HEAVY DUTY ROCKER SWITCHES

FEATURES

- Self cleaning contacts
- Custom colors & printing available upon request
- Heavy-duty switching
- Light, yet positive detent action virtually tease-proof.
- Easy self-locking panel mount, no hardware required
- Optional clear boot fits all 1 Series switches
- Fully enclosed active switching elements
- Bright neon or LED clearly indicates ON position

SWITCH SELECTION CHART

Part No.	Circuit	Illuminated Voltage	Special Markings	BLK	WHT	RED	BLU	GRN	AMB	BRN	IVY
1A-10	Illum SPST on/off	14V LED	Transparent Rocker		○	○					
1A-19	Illum SPST on/off	14V LED	Soft Glow Rocker	○		○					
1A-21	Illum SPST on/off	125 VAC	Transparent Rocker	○		○					
1A-27	Illum SPST on/off	125 VAC	Transparent Rocker	○					○		
1A-28	Illum SPST on/off	125 VAC	Transparent Rocker	○				○			
1A-31	Illum SPST on/off	14V LED	Transparent Rocker	○		○					
1A-35	Illum SPST on/off	14V LED	Transparent Rocker	○	○						
1A-36	Illum SPST on/off	14V LED	Transparent Rocker	○			○				
1A-37	Illum SPST on/off	14V LED	Transparent Rocker	○					○		
1A-38	Illum SPST on/off	14V LED	Transparent Rocker	○				○			
1A-82	Illum SPST on/off	14V LED	Transparent Rocker			○					○
1A-83	Illum SPST on/off	14V LED	Transparent Rocker						○		○
1B-10-U	SPST on/off		"ON OFF" "I O" "- O"		○						
1B-18-U	SPST on/off		"ON OFF" "I O" "- O"	○							
1B-52-U	SPST on/off		"ON OFF" "I O" "- O"							○	
1B-80-U	SPST on/off		"ON OFF" "I O" "- O"								○
1C-26-U	SPDT on/on			○							
1C-41-U	SPDT on/on				○						
1D-27-U	SPDT on/off/on		"- O -" "I O II"	○							
1F-12	SPDT (on)off(on)			○							
1G-11-U	SPST (on)off			○							
1L-11-U	SPST on(off)			○							
1N-13	SPDT on/off(on)			○							
1Q-26-U	SPDT (on)on			○							
1U-01-U	Switch Blank/Filler				○						
1U-15-U	Switch Blank/Filler			○							
1Z-02-U	14V Indicator Light	14V LED		○			○				
1Z-03-U	14V Indicator Light	14V LED		○		○					
1Z-04-U	14V Indicator Light	14V LED		○					○		
1Z-05-U	14V Indicator Light	14V LED		○				○			
1Z-12-U	14V Indicator Light	14V LED			○	○					



SIGMA
SWITCHES PLUS

4703 Wyland Dr.
Elkhart, IN 46516

Ph: 574-294-5776

Fax: 574-294-8744

www.sigmaswitches.com

OUR COMMITMENT TO YOU

We are constantly adding-to and improving our selection of Rocker, Toggle, Push Button and other types of switches. If you do not find what you need here, or on other pages of our web site, please do not hesitate to contact us. If your need is custom, we would like to discuss your unique design requirements as well.

Thank you for giving us the opportunity to fulfill Your switching needs!



SIGMA
SWITCHES PLUS

1 & 1U SERIES HEAVY DUTY ROCKER SWITCHES

MOUNTING

No hardware or tools needed. Self locks into proper panel cutout .550" (13.97 mm) x 1.125" (28.58 mm).

Acceptable panel thickness range is from .025" (.64 mm) to .180" (4.57 mm).



CAUTION! Burr direction must be away from the direction of insertion

TERMINATION

Standard is solderless .250" (6.35 mm) wide x .032" (.81 mm) thick.

ELECTRICAL RATING

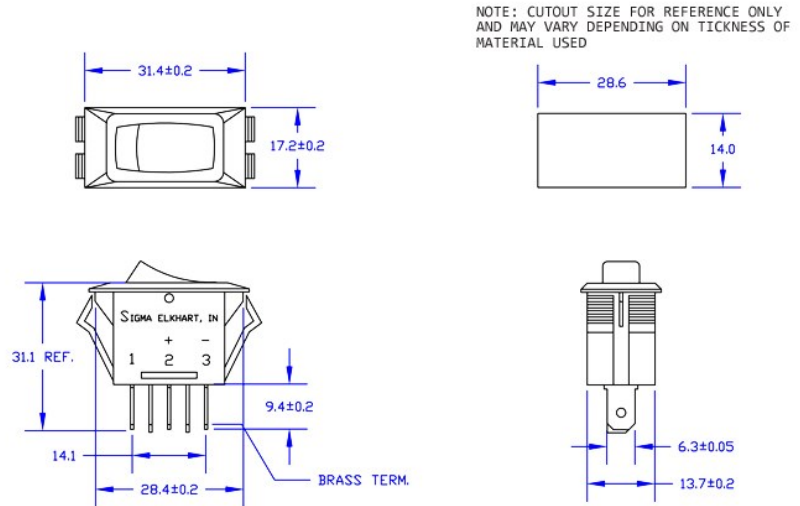
SEE INDIVIDUAL DATA SHEETS FOR EXACT RATINGS

AMPS	VOLTAGE
16 A	125 VAC
12 A	250 VAC
3/4 HP	125-250 VAC
9.5 A	14V (T)
15 A	14V Tung.
20 A	14VDC

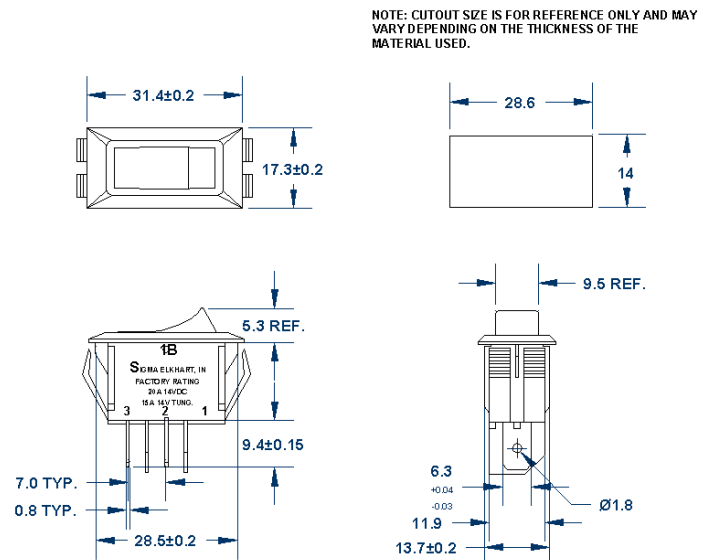
APPROVALS

UL, CUL, RoHS compliant

1 SERIES DRAWING (1A-3 1 SHOWN FOR REFERENCE PURPOSE ONLY)



1 U SERIES DRAWING (1B-18-U SHOWN FOR REFERENCE PURPOSE ONLY)



SIGMA
SWITCHES PLUS

4703 Wyland Dr.
Elkhart, IN 46516

Ph: 574-294-5776

Fax: 574-294-8744

www.sigmaswitches.com

OUR COMMITMENT TO YOU

We are constantly adding-to and improving our selection of Rocker, Toggle, Push Button and other types of switches. If you do not find what you need here, or on other pages of our web site, please do not hesitate to contact us. If your need is custom, we would like to discuss your unique design requirements as well.

Thank you for giving us the opportunity to fulfill Your switching needs!