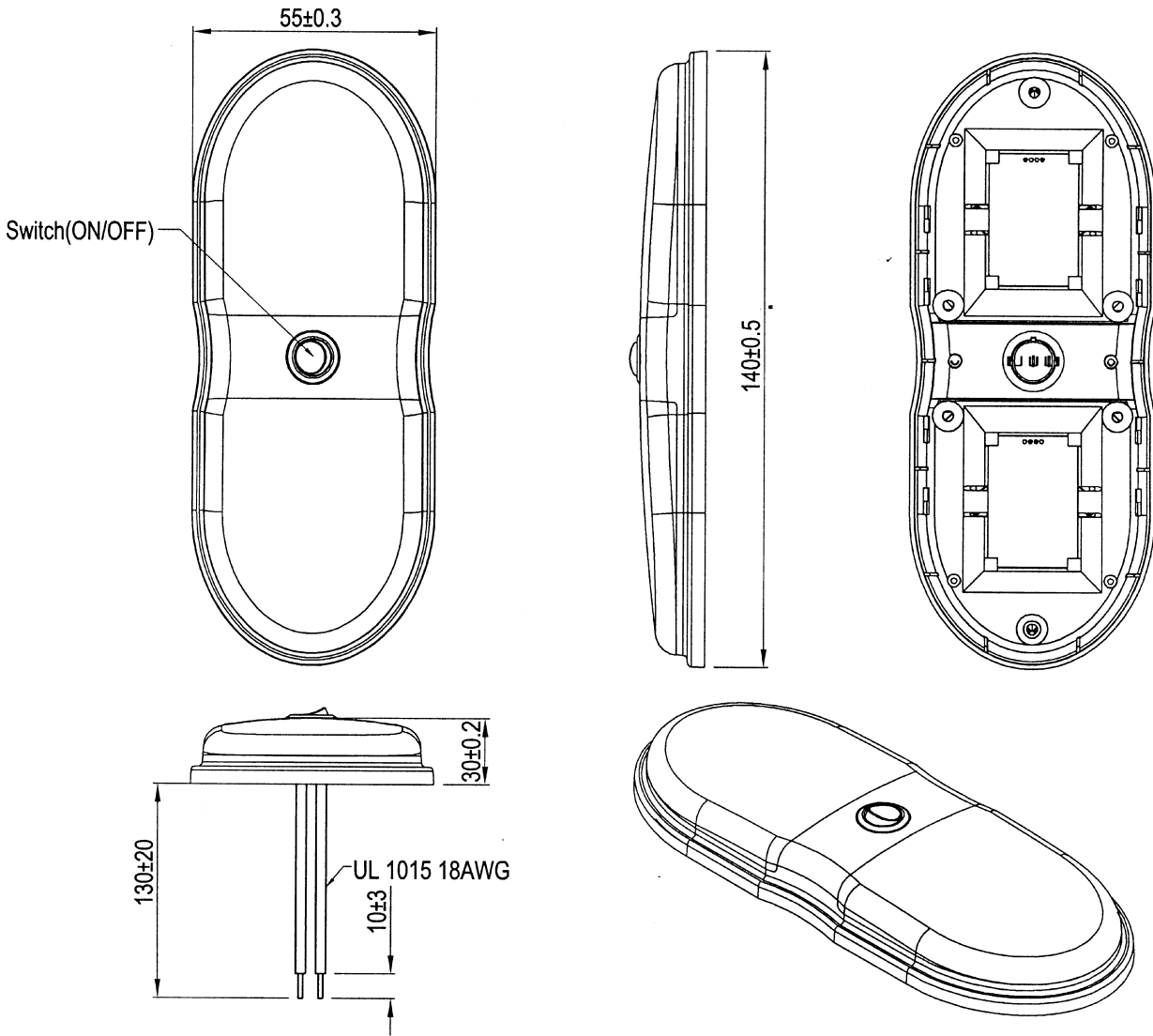
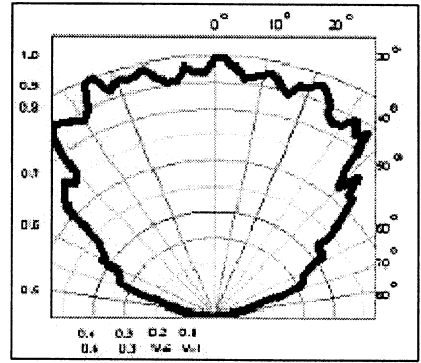


Rating	13.6V DC
Insulation Resistance	DC 500V 100MΩ Min.
Voltage Breakdown	AC 500V 1 minute
Operation Temperature	-0°C ~ -45°C
Lamp Life Cycle	6000 hrs
LED Type	SMD 0.5W LED WHITE
CCT	3000K±20%
Luminous Flux	430 lm±20%

光形輻射圖



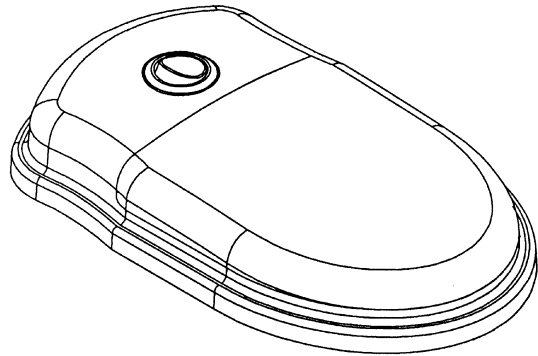
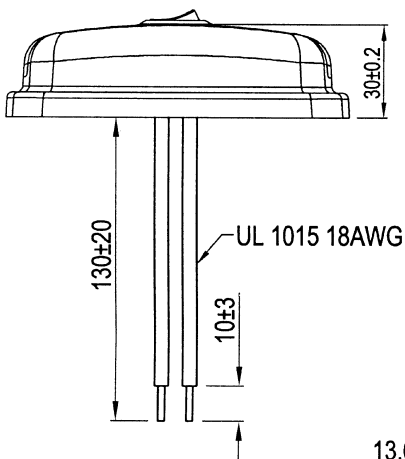
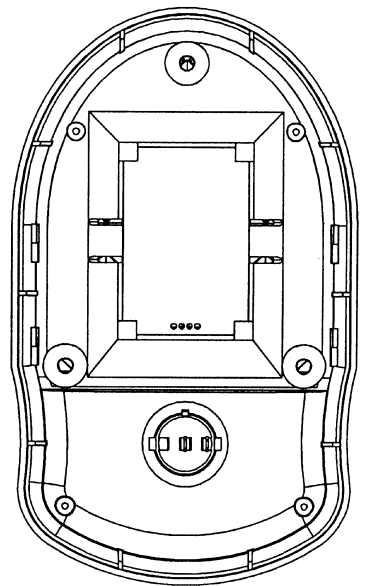
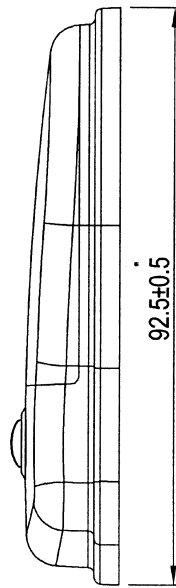
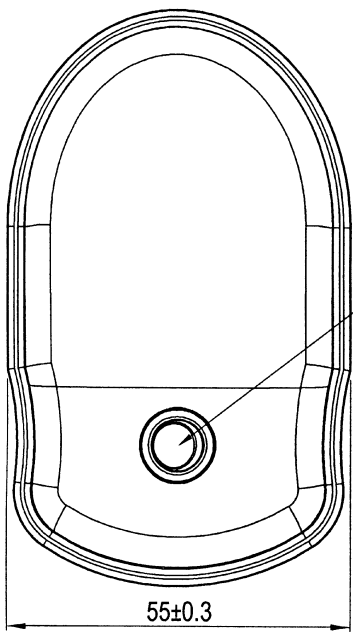
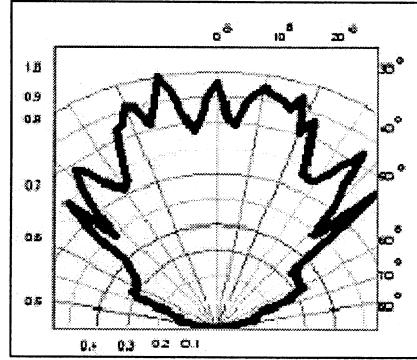
13.6V DC Twin lamp  
 2835 0.5W LED\*18PCS WW CCT  
 White body Clear shade

1 - Tolerances ±0.3 Unless Otherwise Specified

Date		Name		Description			△ No.
Drawn	Checked	Approved	SCI BOM No.	Model Name	LED Car Interior Light		
葉志偉		<i>Simon</i>	Customer No.	Model No.	C2-0205F1CLWW-WN-8W	Rev.	
09/10/14		9/10/14	Unit	mm	Shin Chin Industrial Co., Ltd.		0

Rating	13.6V DC
Insulation Resistance	DC 500V 100MΩ Min.
Voltage Breakdown	AC 500V 1 minute
Operation Temperature	-0°C~-45°C
Lamp Life Cycle	6000 hrs
LED Type	SMD 0.5W LED WHITE
CCT	3000K±20%
Luminous Flux	240 lm±20%

光形輻射圖



13.6V DC Single-lamp  
2835 0.5W LED\*9PCS WW CCT  
White body Clear shade

1 - Tolerances ±0.3 Unless Otherwise Specified

Date	Name	Description				No.
Drawn	Checked	Approved	SCI BOM No.	Model Name	LED Car Interior Light	
葉志偉		<i>Simon</i>	Customer No.	Model No.	C2-0205E1CLWW-WN-8W	Rev.
09/10/14		9/10-14	Unit	mm	Shin Chin Industrial Co., Ltd.	
						0