

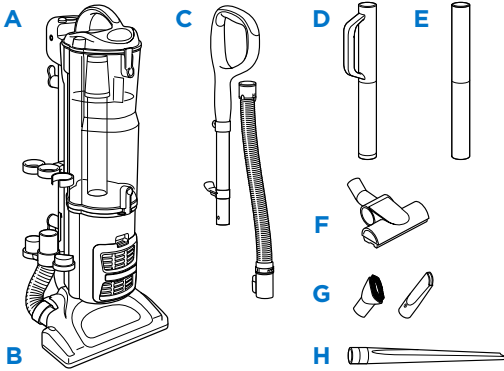
Please be sure to read the enclosed Shark® Owner's Guide prior to using your unit.

Shark® ROTATOR®

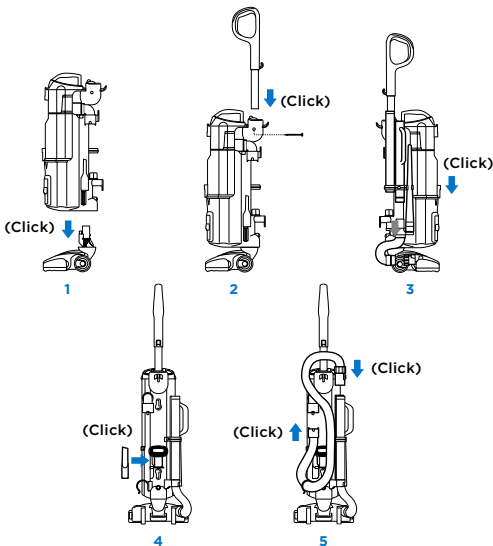
QUICK START GUIDE

WHAT'S INSIDE

- A Vacuum Pod
- B Motorized Floor Nozzle
- C Handle & Hose
- D Wand with Handle
- E Wand
- F Pet Hair Power Brush
- G Cleaning Attachments
- H 16" Crevice Tool

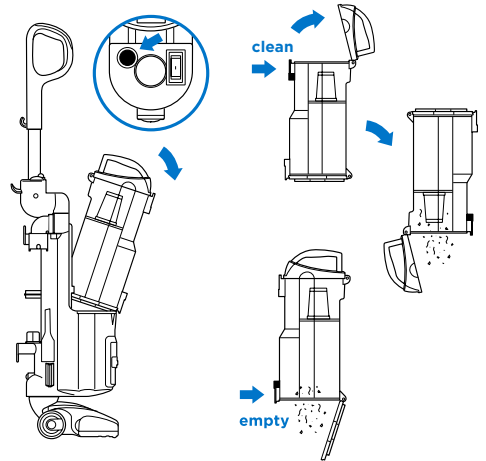


ASSEMBLY



EMPTYING THE DUST CUP

Empty the dust cup after each use.



MAINTENANCE

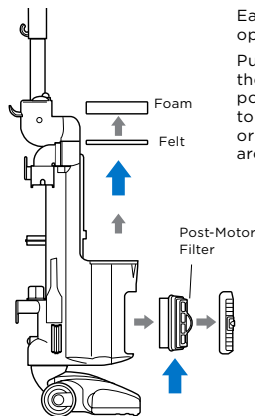
Rinse pre-motor filters every 3 months, and HEPA filter once a year. Rinse with water only, and allow to air-dry completely before reinstalling.

See enclosed Owner's Guide for more information on how to clean and replace the filters.

CHECKING FOR BLOCKAGES

Easy brushroll access: just pop open the garage

Push the release buttons and the brushroll garage door will pop open. Lift out the brushroll to easily remove any string, hair, or debris that may be wrapped around it.



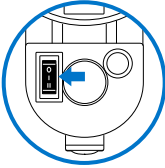
TIP:

Wash filters every 3 months to keep the suction strong.

Rinse filters and allow to air-dry completely. Tap loose dirt from foam filters as needed between washes.

2 WAYS TO CLEAN

FLOOR CLEANING

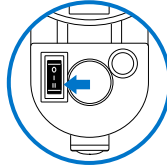


1

POWER

Bare floor or wand cleaning

OR

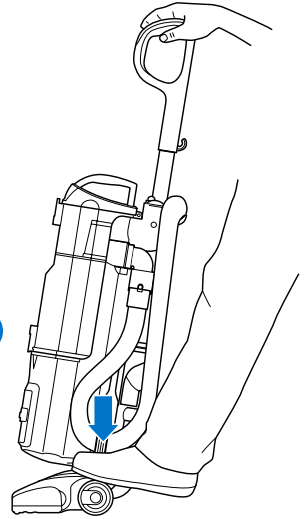


2

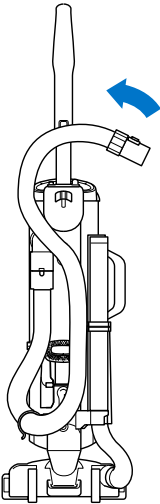
POWER + BRUSHROLL

Carpet cleaning

3



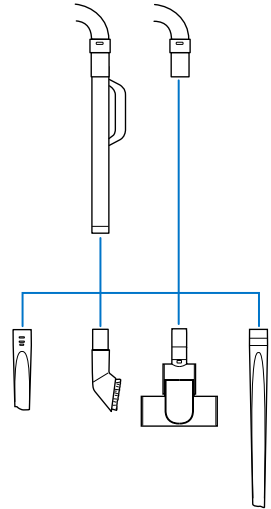
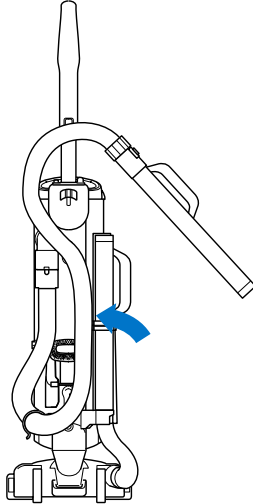
ABOVE-FLOOR CLEANING



1

Remove either the end of the hose or hose with extension wand depending on the amount of reach required.

OR



2

Attach desired cleaning accessory.

For questions or to register your product, contact us at 1-800-798-7398 or visit us online at sharkclean.com



@sharkcleaning