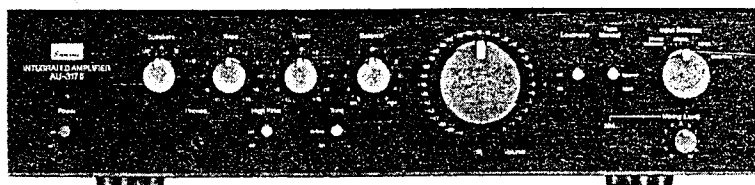




# SERVICE MANUAL

INTEGRATED STEREO AMPLIFIER

## SANSUI AU-117II AU-217II AU-317II



SANSUI ELECTRIC CO., LTD.

1323

### SPECIFICATIONS

#### ● AU-117II

- Power output**  
Min. RMS, both channels driven, from 20 to 20,000 Hz, with no more than 0.17 % harmonic distortion.  
25 watts per channel into 8 ohms
- Load impedance** . . . . . 8 ohms
- Total harmonic distortion**  
..... less than 0.17 % at or below rated min. RMS power output
- Intermodulation distortion (70 Hz : 7 kHz = 4:1 SMPTE method)** . . . . . less than 0.17 % at or below rated min. RMS power output
- Frequency response (at 1 watt)**  
..... 10 to 40,000 Hz +0.5 dB -2 dB
- Damping factor** . . . . . approximately 50 at 8 ohms load
- RIAA curve deviation (PHONO)**  
..... +0.5 dB -0.5 dB  
(30 to 15,000 Hz)
- Input sensitivity and impedance (1 kHz, for rated power output)**  
**PHONO** . . . . . 2.5 mV/47 kilohms  
(Max. input capability; 160 mV at 1 kHz, less than 0.2 % total harmonic distortion)  
**AUX, TAPE** . . . . . 150 mV/47 kilohms
- Output level (1,000 Hz)**  
**TAPE REC (pin jack)**  
..... 150 mV/47 kilohms
- Channel separation (1 kHz, at rated power output)**  
**PHONO** . . . . . better than 65 dB  
**AUX** . . . . . better than 68 dB
- Hum and noise (short-circuit, A-network)**  
**PHONO** . . . . . 76 dB  
**AUX** . . . . . 95 dB
- Controls**  
**BASS** . . . . . ±12 dB (50 Hz)  
**TREBLE** . . . . . ±11 dB (15 kHz)  
**HIGH FILTER** . . . . . -3 dB (7 kHz), 6 dB/oct  
**LOUDNESS (-30 dB)**  
..... 8 dB at 50 Hz  
..... 6 dB at 10 kHz
- Power requirements**  
**Power voltage** . . . . . 100, 120, 220, 240 V  
(50/60 Hz)  
For U.S.A. and Canada  
..... 120 V (60 Hz)
- Power consumption** . . . . . 80 watts
- Dimensions** . . . . . 430 mm (16-15/16") W  
110 mm (4-3/8") H  
340 mm (13-7/16") D
- Weight** . . . . . 6.7 kg (14.8 lbs) net  
8.2 kg (18.1 lbs) packed

#### ● AU-217II

- Power output**  
Min. RMS, both channels driven, from 20 to 20,000 Hz, with no more than 0.06 % harmonic distortion.  
40 watts per channel into 8 ohms
- Load impedance** . . . . . 8 ohms
- Total harmonic distortion**  
..... less than 0.06 % at or below rated min. RMS power output
- Intermodulation distortion (70 Hz : 7 kHz = 4:1 SMPTE method)** . . . . . less than 0.06 % at or below rated min. RMS power output
- Frequency response (at 1 watt)**  
..... 10 to 50,000 Hz +0.5 dB -1.5 dB
- Damping factor** . . . . . approximately 80 at 8 ohms load
- RIAA curve deviation (PHONO)**  
..... +0.5 dB -0.5 dB  
(30 to 15,000 Hz)

to be continued ▶

<AU-217II>

Input sensitivity and impedance (1 kHz, for rated power output)

PHONO . . . . . 2.5 mV/47 kilohms  
(Max. input capability; 200 mV at 1 kHz, less than 0.05 % total harmonic distortion)

AUX, TAPE . . . . . 150 mV/47 kilohms

Output level (1,000 Hz)

TAPE REC (pin jack)  
. . . . . 150 mV/47 kilohms

Channel separation (1 kHz, at rated power output)

PHONO . . . . . better than 65 dB

AUX . . . . . better than 68 dB

Hum and noise (short-circuit, A-network)

PHONO . . . . . 76 dB

AUX . . . . . 95 dB

Controls

BASS . . . . . ±12 dB (50 Hz)

TREBLE . . . . . ±11 dB (15 kHz)

PHONO SUBSONIC

. . . . . -3 dB (13 Hz), 6 dB/oct

HIGH FILTER . . . . . -3 dB (7 kHz), 6 dB/oct

LOUDNESS (-30 dB)

. . . . . 8 dB at 50 Hz

. . . . . 6 dB at 10 kHz

Power requirements

Power voltage . . . . . 100, 120, 220, 240 V  
(50/60 Hz)

For U.S.A. and Canada

. . . . . 120 V (60 Hz)

Power consumption 120 watts

Dimensions . . . . . 430 mm (16-15/16") W

. . . . . 110 mm (4-3/8") H

. . . . . 340 mm (13-7/16") D

Weight . . . . . 8.3 kg (18.3 lbs) net

. . . . . 9.8 kg (21.6 lbs) packed

● AU-317II

Power output

Min. RMS, both channels driven, from 20 to 20,000 Hz,  
with no more than 0.03 % harmonic distortion.

60 watts per channel into 8 ohms

Load impedance . . . . . 8 ohms

Total harmonic distortion

. . . . . less than 0.03 % at or below rated  
min. RMS power output

Intermodulation distortion (70 Hz : 7 kHz = 4:1 SMPTE  
method) . . . . . less than 0.03 % at or below rated  
min. RMS power output

Frequency response (at 1 watt)

. . . . . 5 to 70,000 Hz +0 dB -1.8 dB

Damping factor (1 kHz, both channels driven)

. . . . . 70 into 8 ohms

RIAA curve deviation (PHONO, 20 Hz to 20 kHz)

. . . . . +0.2 dB, -0.2 dB

Input sensitivity and impedance (1 kHz)

PHONO . . . . . 2.5 mV/47 kilohms

(Max. input capability; 220 mV at 1 kHz, less than 0.08 % total harmonic distortion)

AUX, TAPE . . . . . 150 mV/47 kilohms

MIC . . . . . 8 mV/10 kilohms

Output level and impedance (1,000 Hz)

TAPE REC . . . . . 150 mV/47 kilohms

Channel separation (1 kHz, at rated power output)

PHONO . . . . . better than 65 dB

AUX . . . . . better than 75 dB

Hum and noise (short-circuit, A-network)

PHONO . . . . . 77 dB

TAPE/AUX . . . . . 100 dB

Controls

BASS . . . . . ±11 dB (50 Hz)

TREBLE . . . . . ±10 dB (15 kHz)

PHONO SUBSONIC

. . . . . -3 dB (13 Hz), 6 dB/oct

HIGH FILTER . . . . . -3 dB (7 kHz), 6 dB/oct

LOUDNESS (VOLUME control: -30 dB)

. . . . . 9 dB at 50 Hz

. . . . . 7 dB at 10 kHz

Power requirements

Power voltage . . . . . 100, 120, 220, 240 V  
(50/60 Hz)

For U.S.A. and Canada

. . . . . 120 V (60 Hz)

Power consumption

Maximum consumption

. . . . . 180 watts

Rated consumption

. . . . . 180 watts 220 VA

Dimensions . . . . . 430 mm (16-15/16") W

. . . . . 110 mm (4-3/8") H

. . . . . 340 mm (13-7/16") D

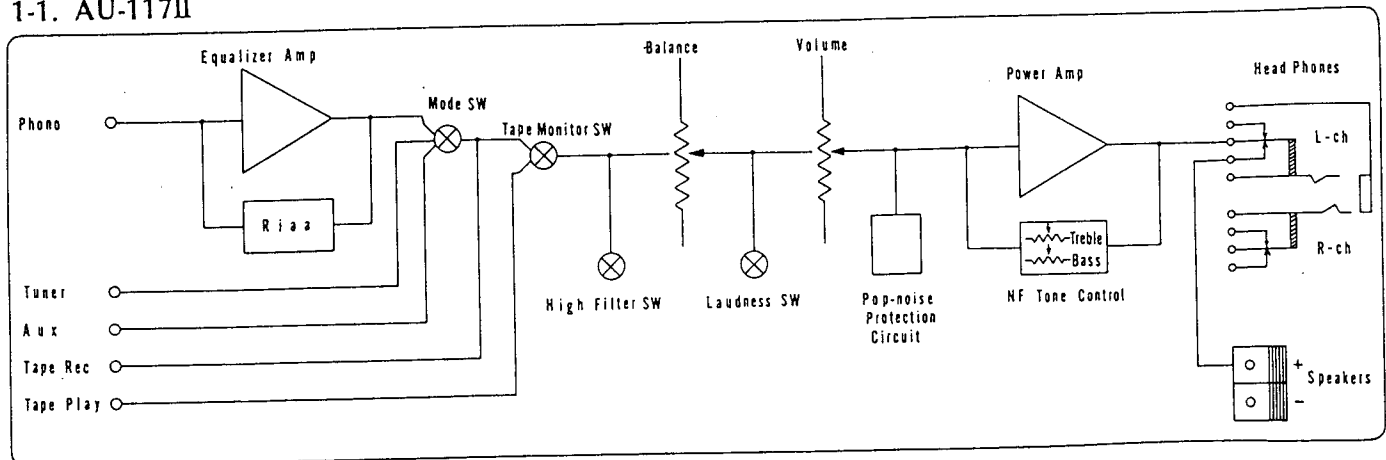
Weight . . . . . 9.8 kg (21.6 lbs) net

. . . . . 11.3 kg (24.9 lbs) packed

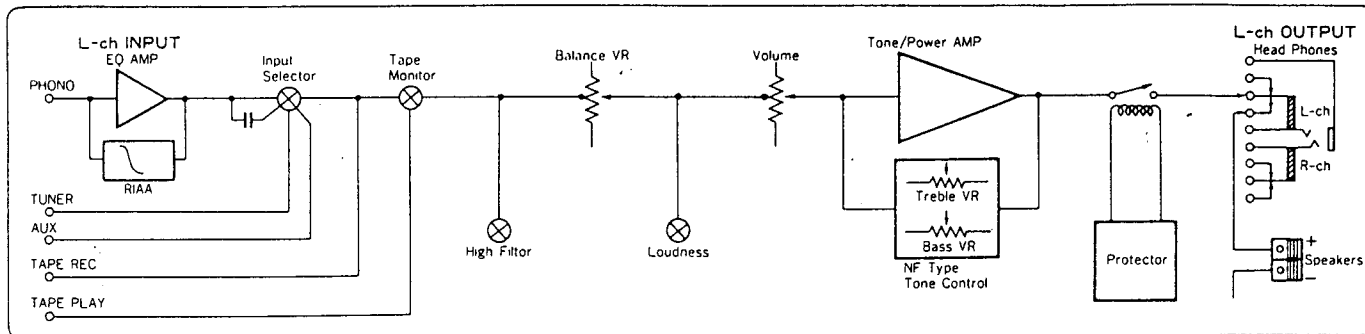
\* Design and specifications subject to change without notice for improvements.

# 1. BLOCK DIAGRAM

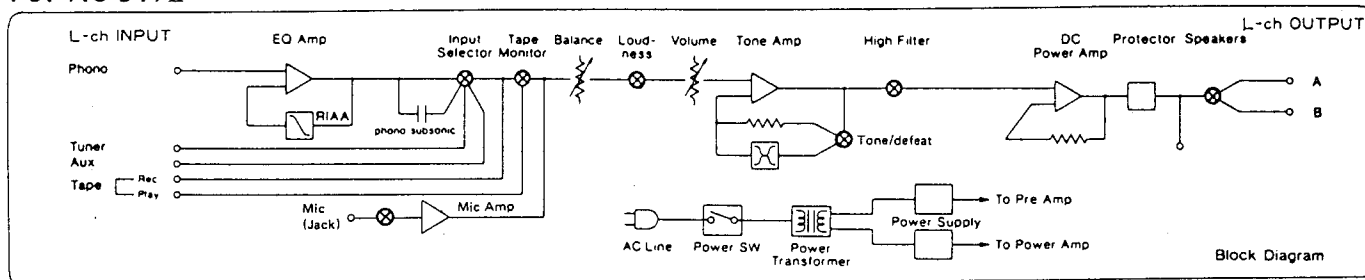
## 1-1. AU-117II



1-2. AU-217II



1-3. AU-317II



2. ADJUSTMENTS

- Note: 1. Master Volume . . . . . Minimum  
2. Room Temperature . . . . . 18°C ~ 28°C  
(65°F ~ 83°F)

3. For adjustment, run the unit for more than 3 minutes after the power is switched on.

2-1. AU-117II

A) Bias Current adjustment (see the picture of Bottom View on page 7)

Note: 1. By turning adjustment volumes, VR05 and VR06 counterclockwise, the bias current is decreased.

	EQUIPMENT	MEASURE OUTPUT	ADJUST	ADJUST FOR
L-ch	DC Volt Meter	Between TP01 (+) and TP03 (-) F-2728	VR05 F-2728	13 mV
R-ch	DC Volt Meter	Between TP02 (+) and TP04 (-) F-2728	VR06 F-2728	13 mV

2-3. AU-317II

A) DC 0V adjustment (see the picture of Top View on page 8)

Note: At first, set VR01, VR03 for L-CH and VR02, VR04 for R-CH to center position, then make the rough adjustment by VR03, VR04 and fine adjust by VR01, VR02.

	EQUIPMENT	MEASURE OUTPUT	ADJUST	ADJUST FOR
L-ch	DC Volt Meter	Speaker Terminal between (+) and (-)	F-2754 VR03, VR01	DC 0V
R-ch	DC Volt Meter	Speaker Terminal between (+) and (-)	F-2754 VR04, VR02	DC 0V

2-2. AU-217II

A) Bias Current adjustment (see the picture of Top View on page 8)

Note: 1. By turning adjustment volumes, VR01 and VR02 counterclockwise, the bias current is decreased.

	EQUIPMENT	MEASURE OUTPUT	ADJUST	ADJUST FOR
L-ch	DC Volt Meter	TP Terminal (+) (-) of F-2760	F-2760 VR01	7 mV
R-ch	DC Volt Meter	TP Terminal (+) (-) of F-2760	F-2760 VR02	7 mV

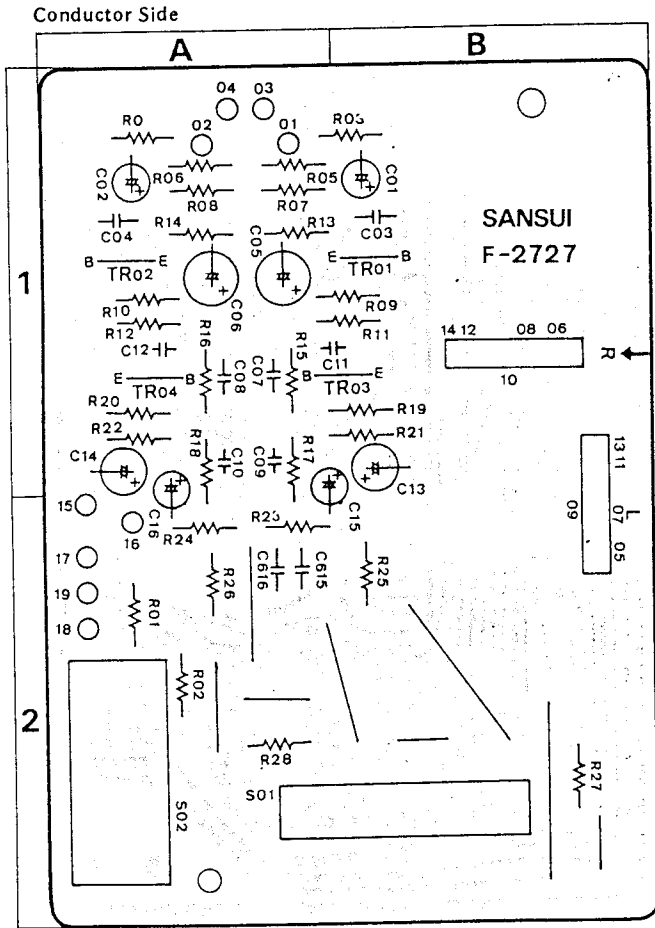
B) Bias Current adjustment (see the picture of Top View on page 8)

Note: 1. By turning adjustment volumes, VR05 and VR06 counterclockwise, the bias current is decreased.

	EQUIPMENT	MEASURE OUTPUT	ADJUST	ADJUST FOR
L-ch	DC Volt Meter	Between TP01 (+) and TP03 (-) F-2754	F-2754 VR05	13 mV
R-ch	DC Volt Meter	Between TP02 (+) and TP04 (-) F-2754	F-2754 VR06	13 mV



B) F-2727 Equalizer Circuit Board (Stock No. 7551491)(AU-117II Only)



Parts List

Parts No.	Stock No.	Description	Position
•Transistor			
TR01,02	0301090,1	2SA992 F	1B,1A
TR03,04	0306740,1	2SC1845 F	1B,1A
S 01	1101800	Rotary Switch, input selector	2B
S 02	1171050	Lever Switch, tape monitor	2A

Note:

The circuit boards, F-2726, F-2729 & F-2731 are not supplied as the assembled, the individual parts on the circuit boards, however are provided for orders.

C) F-2726 Input Terminal Circuit Board (AU-117II Only)

Parts List

Stock No.	Description
2200580	4P Input Terminal, tuner, aux, tape
2200600	2P Input Terminal, phone

D) F-2729 Filter Circuit Board (AU-117II Only)

Parts List

Parts No.	Stock No.	Description
S 01	1171020	Lever Switch, high filter

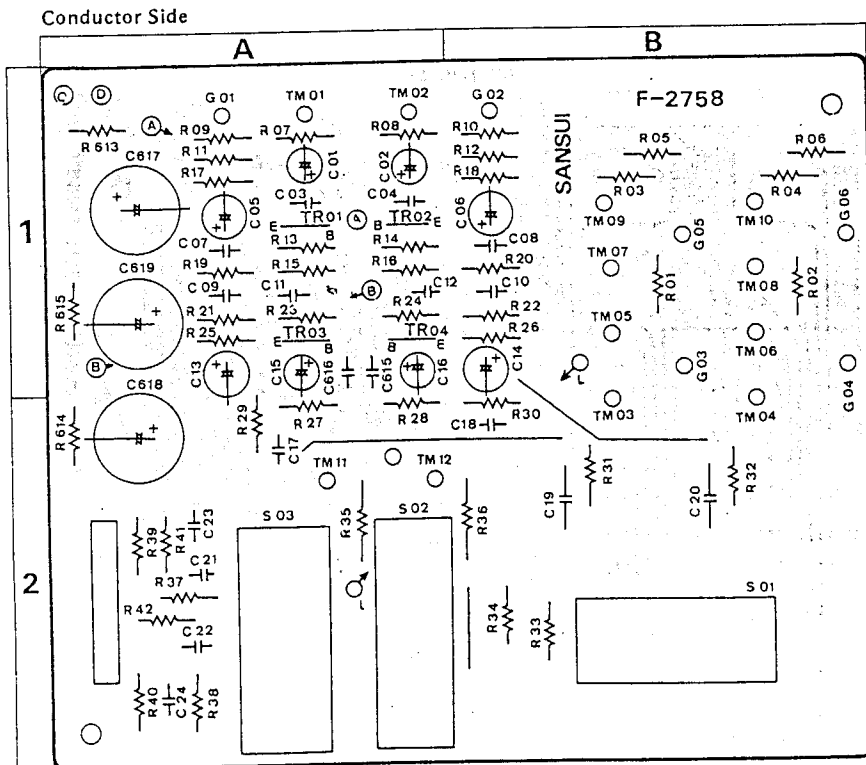
E) F-2731 Voltage Selector Circuit Board (AU-117II Only)

Parts List

Parts No.	Stock No.	Description
F 01	0432220	1A 250V AC Fuse
	0432240	2A 250V AC Fuse
	2310220	Fuse Holder (Large)

3-2. AU-217II

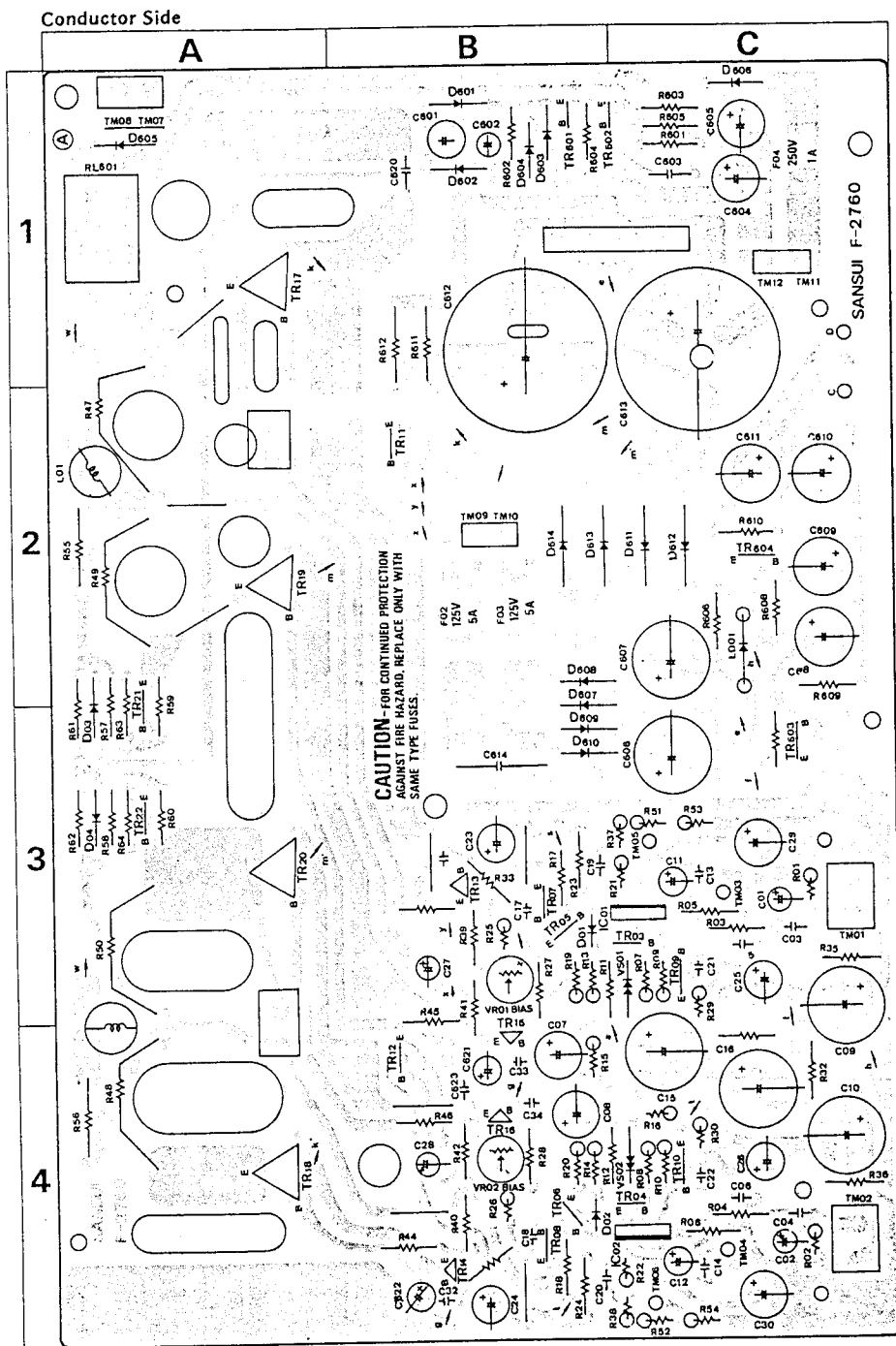
A) F-2758 Equalizer Circuit Board (Stock No. 7551481)(AU-217II Only)



Parts List

Parts No.	Stock No.	Description	Position
•Transistor			
TR01,02	0301090,1	2SA992 F	1A
TR03,04	0306740,1	2SC1845 F	1A
C 17, 18	0620621	620pF 50V P.C.	2A,2B
C 21, 22	0620391	390pF 50V P.C.	2A
S 01	1102740	Rotary Switch, input selector	2B
S 02	1171030	Lever Switch, tape monitor	2A
S 04	1171020	Lever Switch, loudness	

B) F-2760 Power Amplifier Circuit Board (Stock No. 7572211) (AU-217II Only)



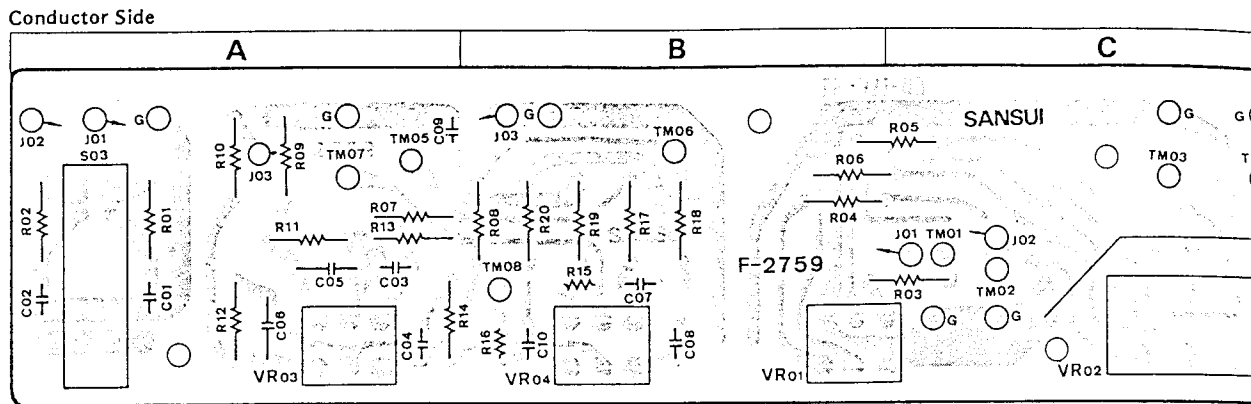
Parts List

Parts No.	Stock No.	Description	Position
<b>*Transistor</b>			
TR03, 04	0300470, 1	2SA726 F, G	3C, 4C
TR05, 06	0306740, 1	2SC1845 F, E	3B, 4B
TR07, 08	0301090, 1	2SA992 F, E	3B, 4B
TR09, 10	0306740, 1	2SC1845 F, E	3C, 4C
TR11, 12	0306070, 1	2SC1313 F, G	2B, 4B
TR13, 14	0308520, 1	2SD438 D, E	3B, 4B
TR15, 16	0303360, 1	2SB560MP D, E	4B
TR17, 18	0308541, 2	2SD188A R, Q	1A, 4A
TR19, 20	0303381, 2	2SB545A R, Q	2A, 3A
TR21, 22	0305951, 2	2SC945 Q, P	2, 3A, 3A
TR601	0305951, 2	2SC945 Q, P	1B
TR602	0305951, 2	2SC945 Q, P	1B, C
TR603	0308520, 1	2SD438 D, E	3C
TR604	0303360, 1	2SB560MP D, E	2C
<b>*IC</b>			
IC 01, 02	0360290, 1	2SA798 F, G	3C, 4C
<b>*Diode</b>			
D 01, 02	0311160	1S24730	3B, 4B
D 03, 04	0311160	1S24730	3A
D 601	0310400	1N34A	1B
D 602	0310400	1N34A	1B
D 603	0310400	1N34A	1B
D 604	0310400	1N34A	1B
D 605	0310340	10D1	1A
D 606	0310340	10D1	1C
D 607	0301340	10D1	3B
D 608	0310340	10D1	2B
D 609	0310340	10D1	3B
D 610	0310340	10D1	3B
D 611	0311530	30D2	2C
D 612	0311530	30D2	2C
D 613	0311530	30D2	2B
D 614	0311530	30D2	2B
<b>*Varistor</b>			
VS01, 02	0340150	MV12	3C, 4C
C 05, 06	0620101	100pF 50V P.C.	3C, 4C
C 612	0549111	6800µF 50V E.C.	1B
C 613	0549111	6800µF 50V E.C.	1C
C 614	0603227	0.022µF 125V M.C.	3B
R 23, 24	0191820	82Ω 1/4W F.R.	3B, 4B
R 29, 30	0193820	82Ω 1/4W F.R.	3C, 4C
R 39, 40	0191221	220Ω 1/4W F.R.	3B, 4B
R 41, 42	0191221	220Ω 1/4W F.R.	3B, 4B
R 43, 44	0191689	6.8Ω 1/4W F.R.	4B
R 45, 46	0191689	6.8Ω 1/4W F.R.	4B
R 47, 48	0132338	0.33Ω 2W Ce.R.	2A, 4A
R 49, 50	0132338	0.33Ω 2W Ce.R.	2A, 3A
R 51, 52	0231302	3.0kΩ 1/2W M.R.	3C, 4C
R 53, 54	0231241	240Ω 1/2W M.R.	3C, 4C
R 606	0211222	2.2kΩ 1W N.I.R.	2C
R 611	0103682	6.8kΩ 1/2W C.R.	1B
R 612	0103682	6.8kΩ 1/2W C.R.	1B
L 01, 02	4210290	RF Coil 1.5µH	2A
RL601	1150400	Relay	1A
	1150480	Relay	
	1150490	Relay	
VR01, 02	1035050	470Ω B Volume, bias current	3B, 4B
F 02, 03	0432290	5A 150V AC Fuse	2B
F 04	0432220	1A 250V AC Fuse	1C
	2030050	Power Transistor Socket	

Abbreviations

C.R.	: Carbon Resistor	E.C.	: Electrolytic Capacitor
S.R.	: Solid Resistor	BP.E.C.	: Bi-Polar Electrolytic Capacitor
Ce.R.	: Cement Resistor	C.C.	: Ceramic Capacitor
M.R.	: Metal Film Resistor	Mi.C.	: Mica Capacitor
F.R.	: Fusing Resistor	O.C.	: Oil Capacitor
N.I.R.	: Non-Inflammable Resistor	P.C.	: Polystyrene Capacitor
M.C.	: Mylar Capacitor	T.C.	: Tantalum Capacitor

C) F-2759 Tone Control Circuit Board (Stock No. 7562791) (AU-217II Only)



Parts List

Parts No.	Stock No.	Description	Position	Parts No.	Stock No.	Description	Position
VR01	1015270.1	250kΩ MN x 2 Volume, balance	B	VR04	1015260.1	100kΩ C x 2 Volume, treble	B
VR02	1011120.1	250kΩ A x 2 Volume, master	C	S 04	1171020	Lever Switch, hi filter	
VR03	1015260.1	100kΩ C x 2 Volume, bass	A				

Note: The circuit boards, F-2757, F-2755 & F-2731 are not supplied as the assembled, the individual parts on the circuit boards, however are provided for orders.

D) F-2757 Input Terminal  
Circuit Board (AU-217II Only)

Parts List

Stock No.	Description
2200580	Input Terminal, tuner, aux, tape
2200600	Input Terminal, phone

E) F-2755 Output Connection  
Circuit Board (AU-217II Only)

Parts List

Parts No.	Stock No.	Description
R 01, 02	0211100	10Ω 1W N.I.R.
R 03, 04	0211221	220Ω 1W N.I.R.
J 01	2430350	Jack, headphone

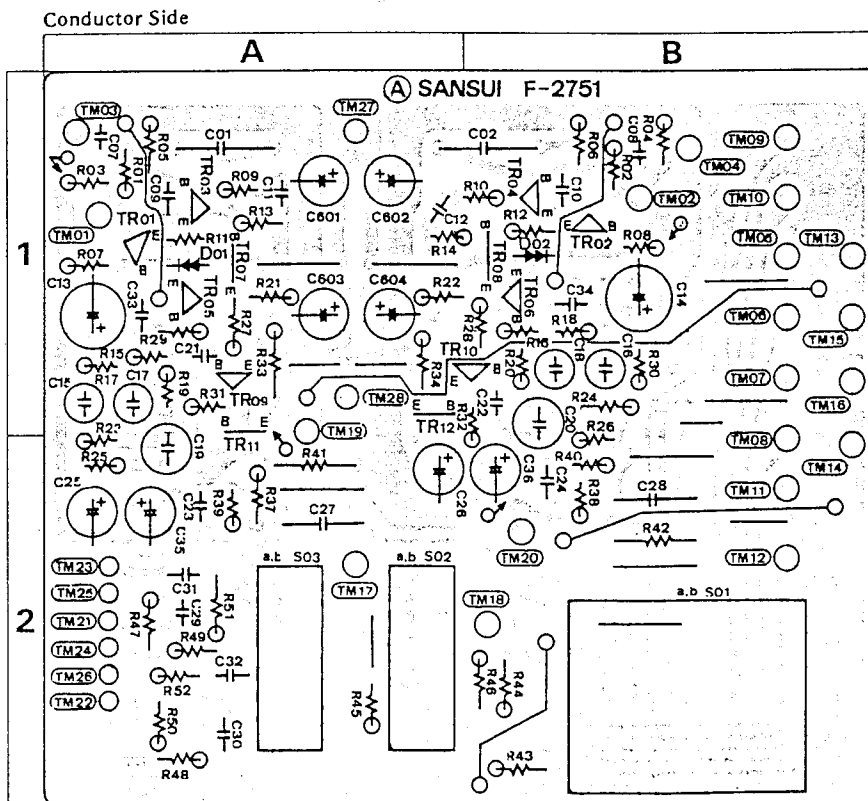
F) F-2731 Voltage Selecto  
Circuit Board (AU-217II Only)

Parts List

Parts No.	Stock No.	Description
F 01	0432240	2A 250V AC Fuse
	0432260	3A 250V AC Fuse
	2310220	Fuse Holder (Large)

3-3. AU-317II

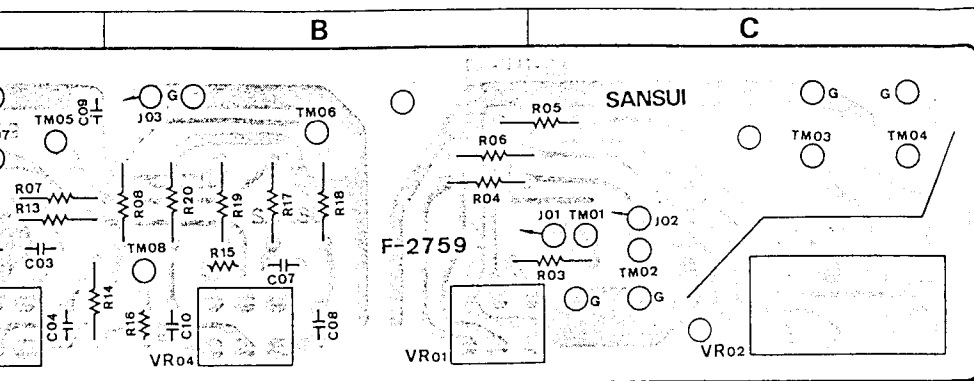
A) F-2751 Equalizer Circuit Board (Stock No. 7551501) (AU-317II Only)



Parts List

Parts No.	Stock No.	Description
• Transistor		
TR01, 02	0301090.1	2SA992 F, E
TR03, 04	0301170.1	2SA991 F, E
TR05, 06	0301170.1	2SA991 F, E
TR07, 08	0306740.1	2SC1845 F, E
TR09, 10	0306740.1	2SC1845 F, E
TR11, 12	0303360.1	2S8560MP D, E
• Varistor		
D 01, 02	0340150	MV12
C 01, 02	0602109	1.0μF 100WV M.C.
C 07, 08	0620101	100pF 50V P.C.
C 11, 12	0620101	100pF 50V P.C.
C 15, 16	0620151	150pF 50V P.C.
C 17, 18	0625272	2700pF 50WV P.C.
C 19, 20	0625103	10000pF 50WV P.C.
C 31, 32	0620391	390pF 50V P.C.
R 15, 16	0231561	560Ω 1/2W M.R.
R 17, 18	0231220	22Ω 1/2W M.R.
R 19, 20	0231273	27kΩ 1/2W M.R.
R 23, 24	0231304	300kΩ 1/2W M.R.
R 25, 26	0231153	15kΩ 1/2W M.R.
R 33, 34	0103392	3.9kΩ 1/2W C.R.
S 01	1102740	Rotary Switch, input sel
S 02	1171030	Lever Switch, tape moni
S 03	1171020	Lever Switch, loudness

Circuit Board (Stock No. 7562791) (AU-217II Only)



No.	Description	Position	Parts No.	Stock No.	Description	Position
1	250kΩ MN x 2 Volume, balance	B	VR04	1015260, 1	100kΩ C x 2 Volume, treble	B
1	250kΩ A x 2 Volume, master	C	S 04	1171020	Lever Switch, hi filter	
1	100kΩ C x 2 Volume, bass	A				

boards, F-2757, F-2755 & F-2731 are not supplied as the assembled, the individual circuit boards, however are provided for orders.

E) F-2755 Output Connection  
Circuit Board (AU-217II Only)

Parts List

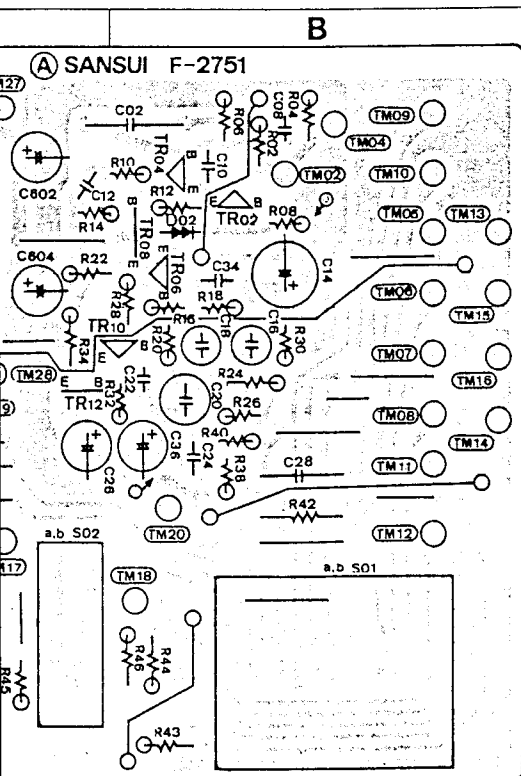
Parts No.	Stock No.	Description
R 01, 02	0211100	10Ω 1W N.I.R.
R 03, 04	0211221	220Ω 1W N.I.R.
J 01	2430350	Jack, headphone

F) F-2731 Voltage Selector  
Circuit Board (AU-217II Only)

Parts List

Parts No.	Stock No.	Description
F 01	0432240	2A 250V AC Fuse
	0432260	3A 250V AC Fuse
	2310220	Fuse Holder (Large)

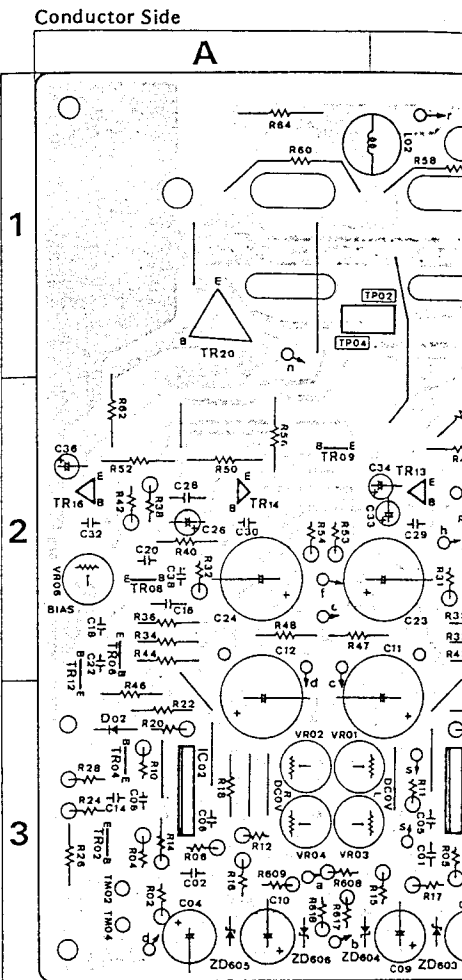
Board (Stock No. 7551501) (AU-317II Only)



Parts List

Parts No.	Stock No.	Description	Position
*Transistor			
TR01, 02	0301090, 1	2SA992 F, E	1A, 1B
TR03, 04	0301170, 1	2SA991 F, E	1A, 1B
TR05, 06	0301170, 1	2SA991 F, E	1A, 1B
TR07, 08	0306740, 1	2SC1845 F, E	1A, 1B
TR09, 10	0306740, 1	2SC1845 F, E	1A, 1B
TR11, 12	0303360, 1	2SB560MP D, E	1A
*Varistor			
D 01, 02	0340150	MV12	1A, 1B
C 01, 02	0602109	1.0μF 100V M.C.	1A, 1B
C 07, 08	0620101	100pF 50V P.C.	1A, 1B
C 11, 12	0620101	100pF 50V P.C.	1A
C 15, 16	0620151	150pF 50V P.C.	1A, 1B
C 17, 18	0625272	2700pF 50V P.C.	1A, 1B
C 19, 20	0625103	10000pF 50V P.C.	2A, 1B
C 31, 32	0620391	390pF 50V P.C.	2A
R 15, 16	0231561	560Ω 1/2W M.R.	1A, 1B
R 17, 18	0231220	22Ω 1/2W M.R.	1A, 1B
R 19, 20	0231273	27kΩ 1/2W M.R.	1A, 1B
R 23, 24	0231304	300kΩ 1/2W M.R.	2A, 1B
R 25, 26	0231153	15kΩ 1/2W M.R.	2A, 2B
R 33, 34	0103392	3.9kΩ 1/2W C.R.	1A
S 01	1102740	Rotary Switch, input selector	1B
S 02	1171030	Lever Switch, tape monitor	2A
S 03	1171020	Lever Switch, loudness	2A

B) F-2754 Power Amplifier Circuit

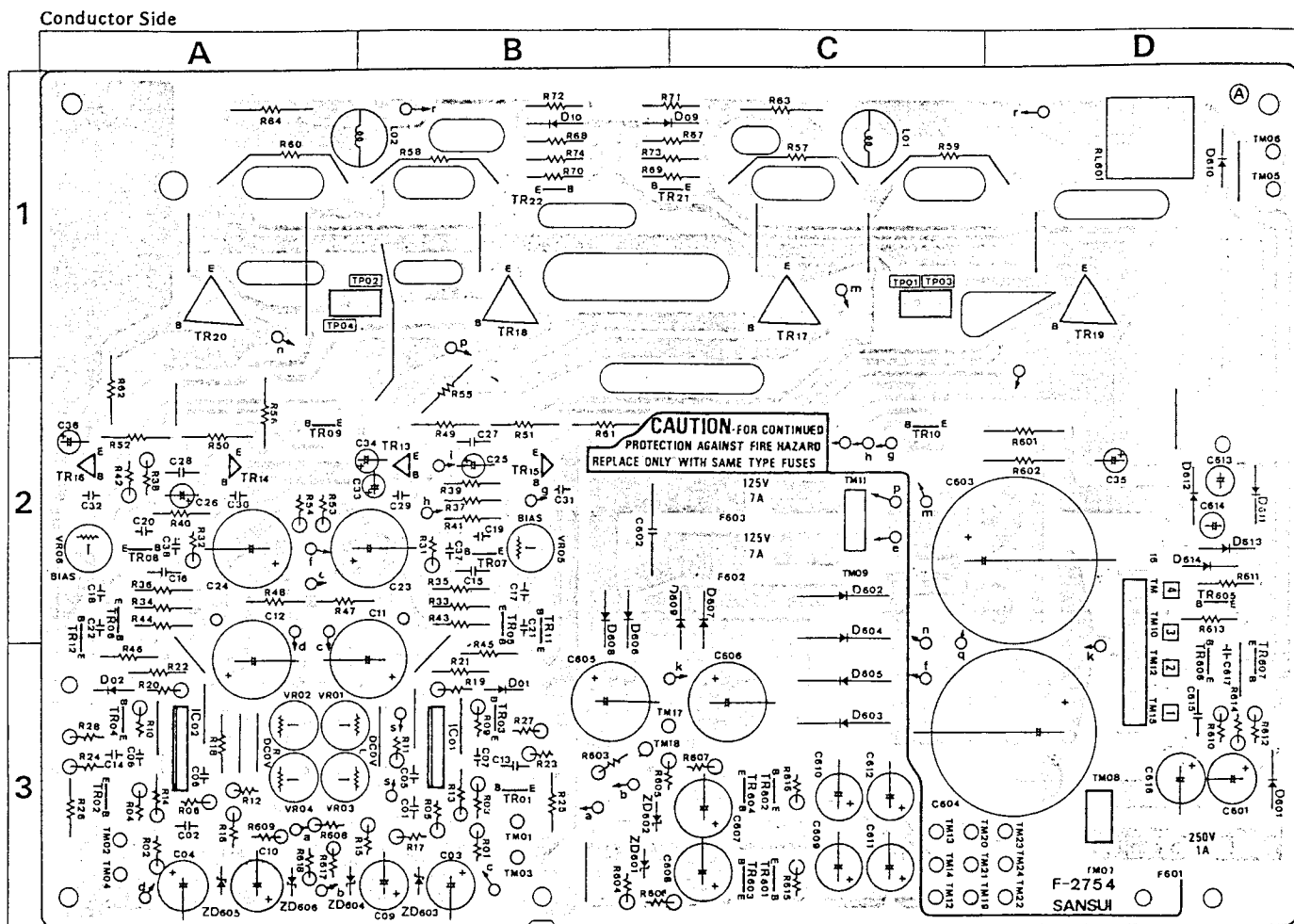


Parts List

Parts No.	Stock No.	Description	Position
*Transistor			
TR01, 02	0306740, 1	2SC1845 F, E	3B, 3A
TR03, 04	0306740, 1	2SC1845 F, E	3B, 3A
TR05, 06	0301090, 1	2SA992 F, E	2B, 2A
TR07, 08	0300760, 1	2SA917 1, 2	2B, 2A
TR09, 10	0306070, 1	2SC1313 F, G	2A, 2C
TR11, 12	0306360, 1	2SC1951 1, 2	2B, 2A
TR13, 14	0308611, 2	2SD357 D, E	2B, 2A
TR15, 16	0303441, 2	2SB527 D, E	2B, 2A
TR17, 18	0306571, 2	2SC2261 O, Y	1C, 1B
TR19, 20	0300951, 2	2SA981 O, Y	1D, 1A
TR21, 22	0305951, 2	2SC945 Q, P	1C, 1B
TR601	0308611, 2	2SD357 D, E	3C
TR602	0303441, 2	2SB527 D, E	3C
TR603	0306740, 1	2SC1845 F, E	3C
TR604	0301090, 1	2SA992 F, E	3C
TR605	0305951, 2	2SC945 Q, P	2D
TR606	0305951, 2	2SC945 Q, P	3D
TR607	0305951, 2	2SC945 Q, P	3D
*IC			
IC 01, 02	0370281, 2	2SK109 D, E	3B, 3A
*Diodes			
D 01, 02	0311160	1S2473D	3B, 3A



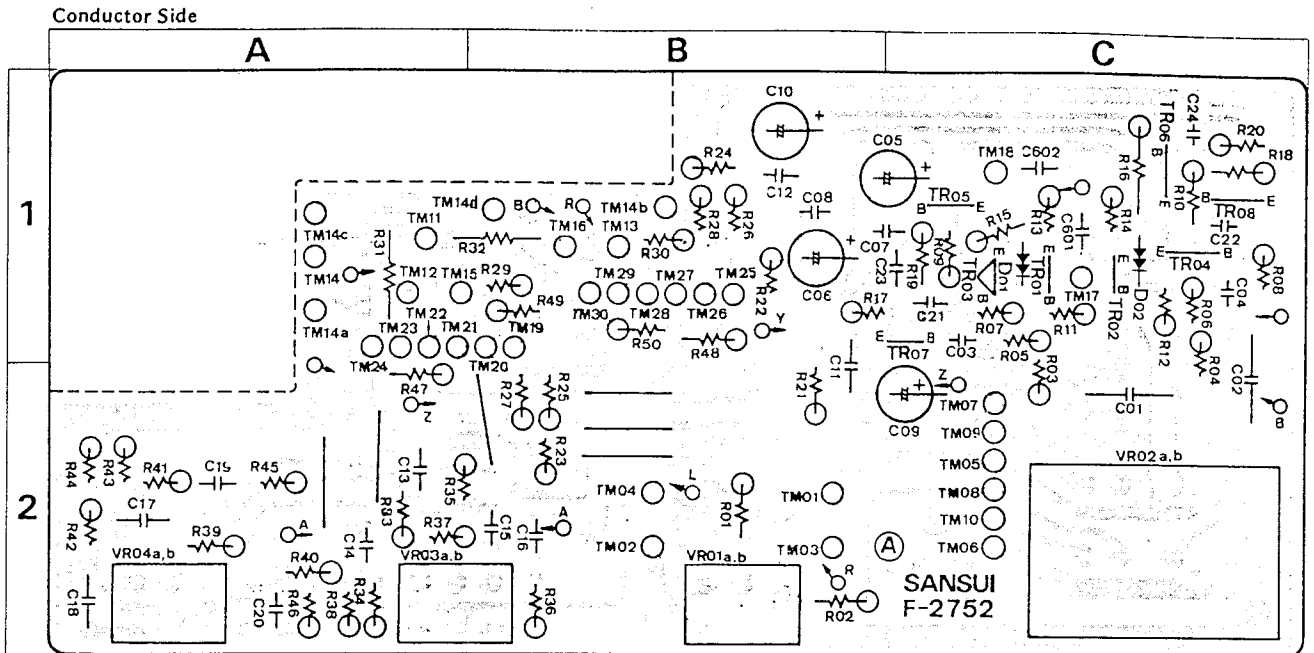
B) F-2754 Power Amplifier Circuit Board (Stock No. 7572231)(AU-317II Only)



Parts List

Parts No.	Stock No.	Description	Position	Parts No.	Stock No.	Description	Position	Parts No.	Stock No.	Description	Position
*Transistor											
TR01, 02	0306740, 1	2SC1845 F, E	3B, 3A	D 09, 10	0311160	1S2473D	1B	R 35, 36	0191820	82Ω 1/4W F.R.	2B, 2A
TR03, 04	0306740, 1	2SC1845 F, E	3B, 3A	D 601	0310340	10D1	3D	R 45, 46	0191820	82Ω 1/4W F.R.	3B, 3A
TR05, 06	0301090, 1	2SA992 F, E	2B, 2A	D 602	0311570	ERD03-02H	2C	R 57, 58	0135338	0.33Ω 5W Ce.R.	1C, 1B
TR07, 08	0300760, 1	2SA917 1, 2	2B, 2A	D 604	0311570	ERD03-02H	2C	R 59, 60	0135338	0.33Ω 5W Ce.R.	1C, 1A
TR09, 10	0306070, 1	2SC1313 F, G	2A, 2C	D 605	0311570	ERD03-02H	3C	R 63, 64	0212229	2.2Ω 2W N.I.R.	1C, 1A
TR11, 12	0306360, 1	2SC1951 1, 2	2B, 2A	D 606	0310340	10D1	2B	R 601	0103822	8.2kΩ 1/2W C.R.	2D
TR13, 14	0308611, 2	2SD357 D, E	2B, 2A	D 607	0310340	10D1	2C	R 602	0103822	8.2kΩ 1/2W C.R.	2D
TR15, 16	0303441, 2	2SB527 D, E	2B, 2A	D 608	0310340	10D1	2B	R 603	0202272	2.7kΩ 2W N.I.R.	3B
TR17, 18	0306571, 2	2SC2261 O, Y	1C, 1B	D 609	0310340	10D1	2C	L 01, 02	4210290	RF Coil 1.5μH	1C, 1B
TR19, 20	0300951, 2	2SA981 O, Y	1D, 1A	D 610	0310340	10D1	1D				
TR21, 22	0305951, 2	2SC945 Q, P	1C, 1B	D 611 ~ 14	0310400	1N34A	2D				
TR601	0308611, 2	2SD357 D, E	3C	*Zener Diode							
TR602	0303441, 2	2SB527 D, E	3C	ZD601	0316110	EQA01-30R	3B	RL01	1150400	Relay	
TR603	0306740, 1	2SC1845 F, E	3C	ZD602	0316110	EQA01-30R	3B		1150480	Relay	
TR604	0301090, 1	2SA992 F, E	3C	ZD603, 04	0316020	EQA01-18R	3B, 3A		1150490	Relay	
TR605	0305951, 2	2SC945 Q, P	3D	ZD605, 06	0316020	EQA01-18R	3A, 3A	VR01, 02	1034230	2.2kΩ B Volume, DC 0V	3A
TR606	0305951, 2	2SC945 Q, P	3D					VR03, 04	1034150	100Ω B Volume, DC 0V	3A
TR607	0305951, 2	2SC945 Q, P	3D	C 01, 02	0620101	100pF 50V P.C.	3B, 3A	VR05, 06	1035070	1kΩ B Volume, bias current	2B
*Ic											
IC 01, 02	0370281, 2	2SK109 D, E	3B, 3A	C 07, 08	0620271	270pF 50V P.C.	1B, 3A	F 601	0432220	1A 250V AC Fuse	3D
*Diodes											
D 01, 02	0311160	1S2473D	3B, 3A	C 602	0605477	0.047μF 250V M.C.	2B	F 602, 03	0432500	7A 125V AC Fuse	2C
				C 603	0549905	10000μF 56V E.C.	2D		2030050	Power Transistor Socket	
				C 604	0549905	10000μF 56V E.C.	3D				
				C 901, 02	0620109	1.0μF 100WV M.C.					

C) F-2752 Tone Control Circuit Board (Stock No. 7562801)(AU-317II Only)

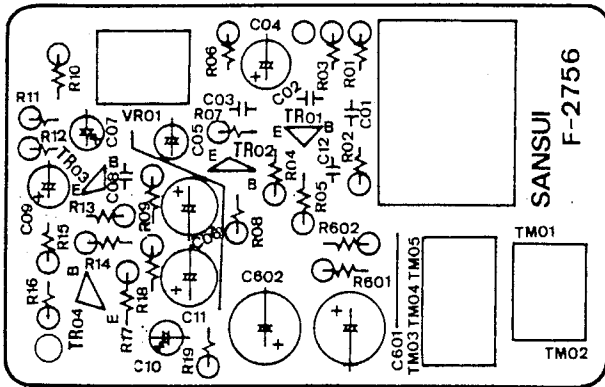


Parts List

Parts No.	Stock No.	Description	Position	Parts No.	Stock No.	Description	Position	Parts No.	Stock No.	Description	Position
●Transistor				●Varistor				VR02			
TR01, 02	0301090, 1	2SA992 F, E	1C	D 01, 02	0340150	MV12	1C	1090290		150kΩ B x 2	2C
TR03, 04	0301170, 1	2SA991 F, E	1C	R 17, 18	0193680	68Ω 1/4W F.R.	1B, 1C	1015310, 1		100kΩ C x 2	2A
TR05, 06	0301170, 1	2SA991 F, E	1C	VR01	1015320, 1	250kΩ MN x 2	2B	1015310, 1		100kΩ C x 2	2A
TR07, 08	0306740, 1	2SC1845 F, E	1C			Volume, balance				100kΩ C x 2	2A
										Volume, bass	

D) F-2756 Mic Amp Circuit Board (Stock No. 7610431)(AU-317II Only)

Conductor Side



Parts List

Parts No.	Stock No.	Description
●Transistor		
TR01	0301090, 1	2SA992 F, E
TR02	0306740, 1	2SC1845 F, E
TR03	0301090, 1	2SA992 F, E
TR04	0306740, 1	2SC1845 F, E
R 601, 602	0193121	120Ω 1/4W F.R.
VR01	1090270	20kΩ (A) Volume, mixing level
J 01	2430330	Jack Mic

Note: The circuit boards, F-2750, F-2768, F-2753 & F-2731 are not supplied as the assembled, the individual parts on the circuit boards, however are provided for orders.

E) F-2750 Input Terminal Circuit Board (AU-317II Only)

Parts List

Parts No.	Stock No.	Description
2200580		Input Terminal, tuner, aux, tape
2200600		Input Terminal, phono

F) F-2768 Output Connection Circuit Board (AU-317II Only)

Parts List

Parts No.	Stock No.	Description
R 01, 02	0212221	220Ω 2W N.I.R.
R 03, 04	0202100	10Ω 2W N.I.R.
J 01	2430350	Jack, headphone

G) F-2753 Filter Circuit Board(AU-317II Only)

Parts List

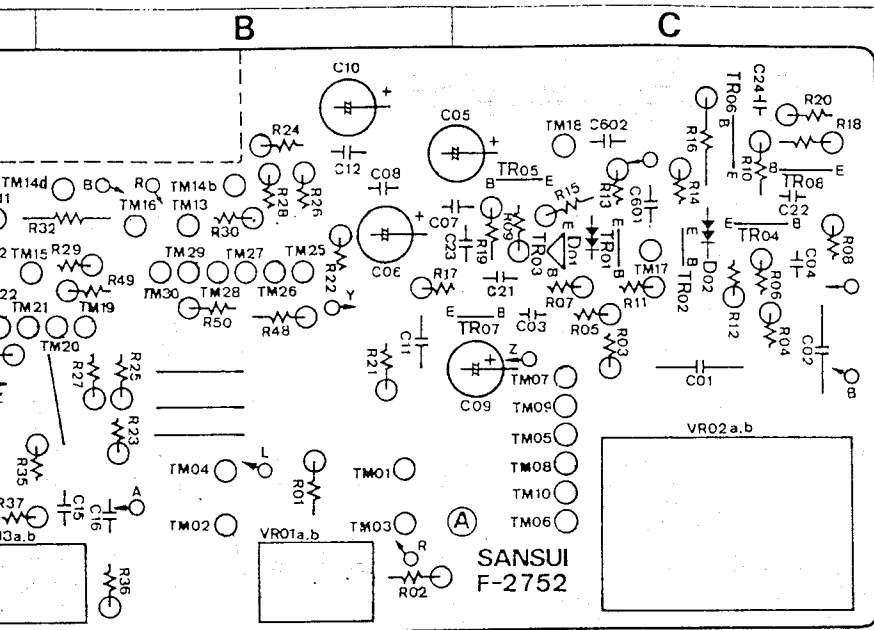
Parts No.	Stock No.	Description
S 01	1171040	Lever Switch, tone defeat
S 02	1171020	Lever Switch, high filter

H) F-2731 Voltage Selector Circuit Board (AU-317II Only)

Parts List

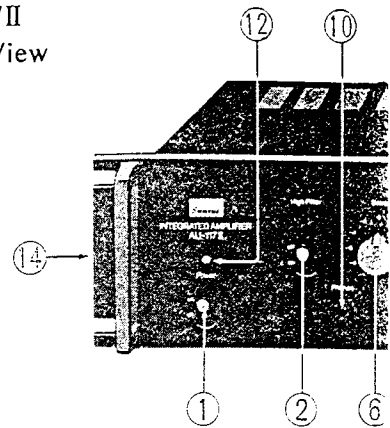
Parts No.	Stock No.	Description
F 01	0432260	3A 250V AC Fuse
	0432290	5A 125V AC Fuse
	2310220	Fuse Holder (Large)

board (Stock No. 7562801)(AU-317II Only)

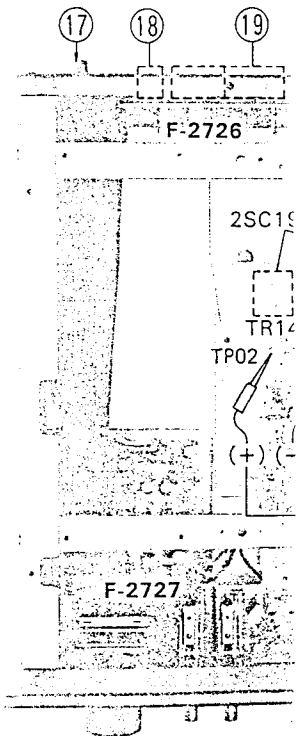


## 4. OTHER PARTS

### 4-1. AU-117II Front View



### Bottom View



Parts No.	Stock No.	Description	Position
*Varistor D 01, 02	0340150	MV12	1C
R 17, 18	0193680	68Ω 1/4W F.R.	1B, 1C
VR01	1015320, 1	250kΩ MN x 2 Volume, balance	2B

Parts No.	Stock No.	Description	Position
VR02	1090290	150kΩ B x 2 Volume, master	2C
VR03	1015310, 1	100kΩ C x 2 Volume, treble	2A
VR04	1015310, 1	100kΩ C x 2 Volume, bass	2A

(Stock No. 7610431)(AU-317II Only)

Note: The circuit boards, F-2750, F-2768, F-2753 & F-2731 are not supplied as the assembled, the individual parts on the circuit boards, however are provided for orders.

### E) F-2750 Input Terminal Circuit Board (AU-317II Only)

#### Parts List

Parts No.	Stock No.	Description
	2200580	Input Terminal, tuner, aux, tape
	2200600	Input Terminal, phono

### F) F-2768 Output Connection Circuit Board (AU-317II Only)

#### Parts List

Parts No.	Stock No.	Description
R 01, 02	0212221	220Ω 2W N.I.R.
R 03, 04	0202100	10Ω 2W N.I.R.
J 01	2430350	Jack, headphone

### G) F-2753 Filter Circuit Board(AU-317II Only)

#### Parts List

Parts No.	Stock No.	Description
S 01	1171040	Lever Switch, tone defeat
S 02	1171020	Lever Switch, high filter

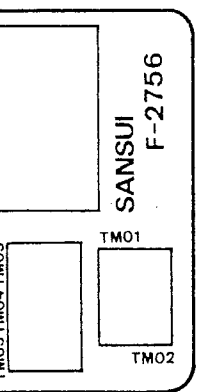
### H) F-2731 Voltage Selector Circuit Board (AU-317II Only)

#### Parts List

Parts No.	Stock No.	Description
F 01	0432260	3A 250V AC Fuse
	0432290	5A 125V AC Fuse
	2310220	Fuse Holder (Large)

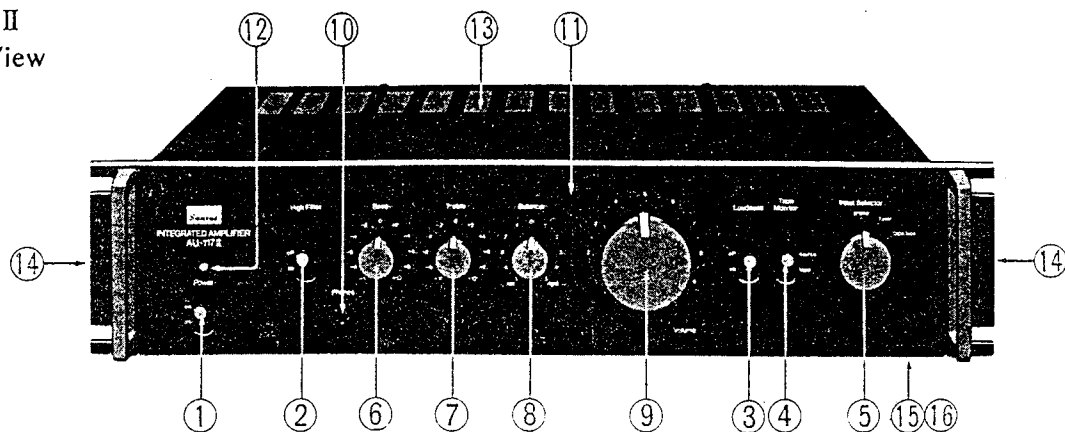
### Parts List <Front & Bottom View>

Parts No.	Stock No.	Description	Parts No.
1	5326612	Lever Switch Knob	9
	1172000	Lever Switch, power	
	5326612	Lever Switch Knob	
2	1171020	Lever Switch, high filter	10
	5326612	Lever Switch Knob	
3	1171020	Lever Switch, loudness	11
	5326612	Lever Switch Knob	
4	1171050	Lever Switch, tape monitor	12
	5318929	M-10 TY Knob	
5	1101800	Rotary Switch, input selector	14
	5048040	Masking Sheet (B)	
	5318930	S-14 TY Knob	
6	1015260, 1	100kΩ (C) x 2 Bass Volume	16
	5048020	Masking Sheet (D)	
	5318930	S-14 TY Knob	
7	1015260, 1	100kΩ (C) x 2 Treble Volume	17
	5048020	Masking Sheet (D)	
	5318930	S-14 TY Knob	
8	1015270, 1	250kΩ (MN) x 2 Balance Volume	21
	5318930	S-14 TY Knob	
	5048020	Masking Sheet (D)	

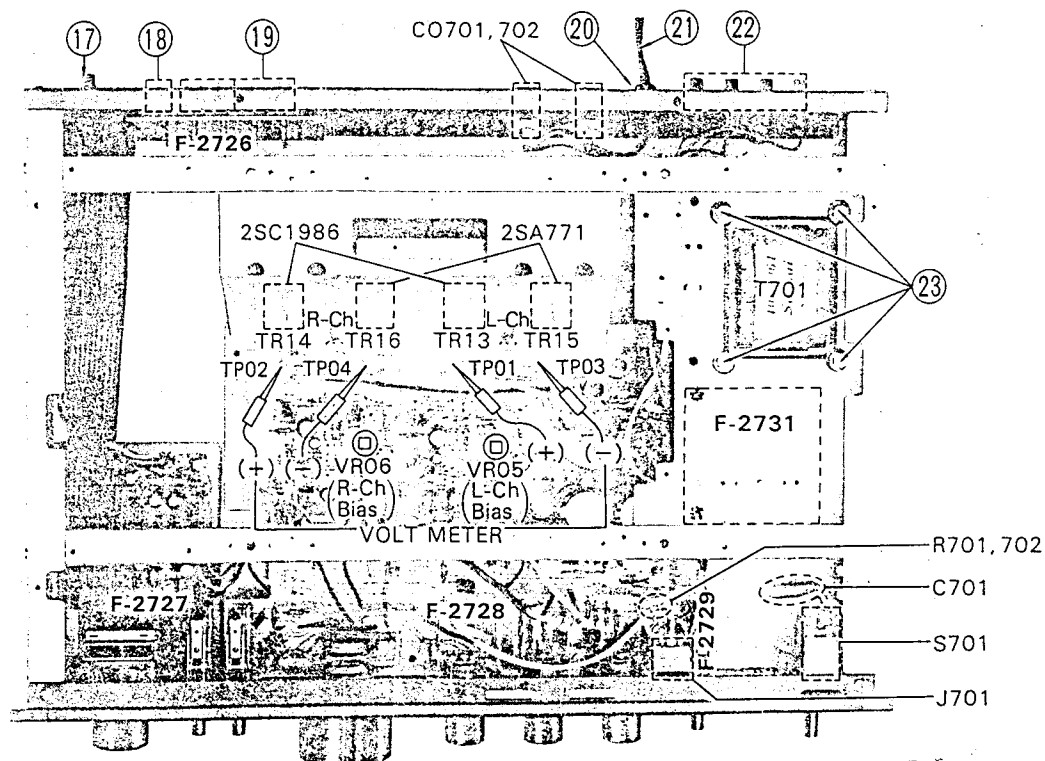


# 4. OTHER PARTS

## 4-1. AU-117II Front View



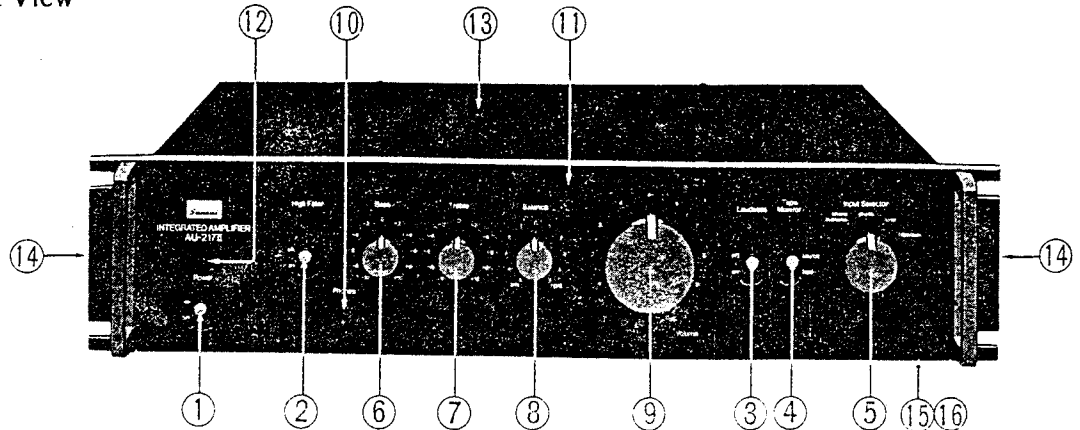
## Bottom View



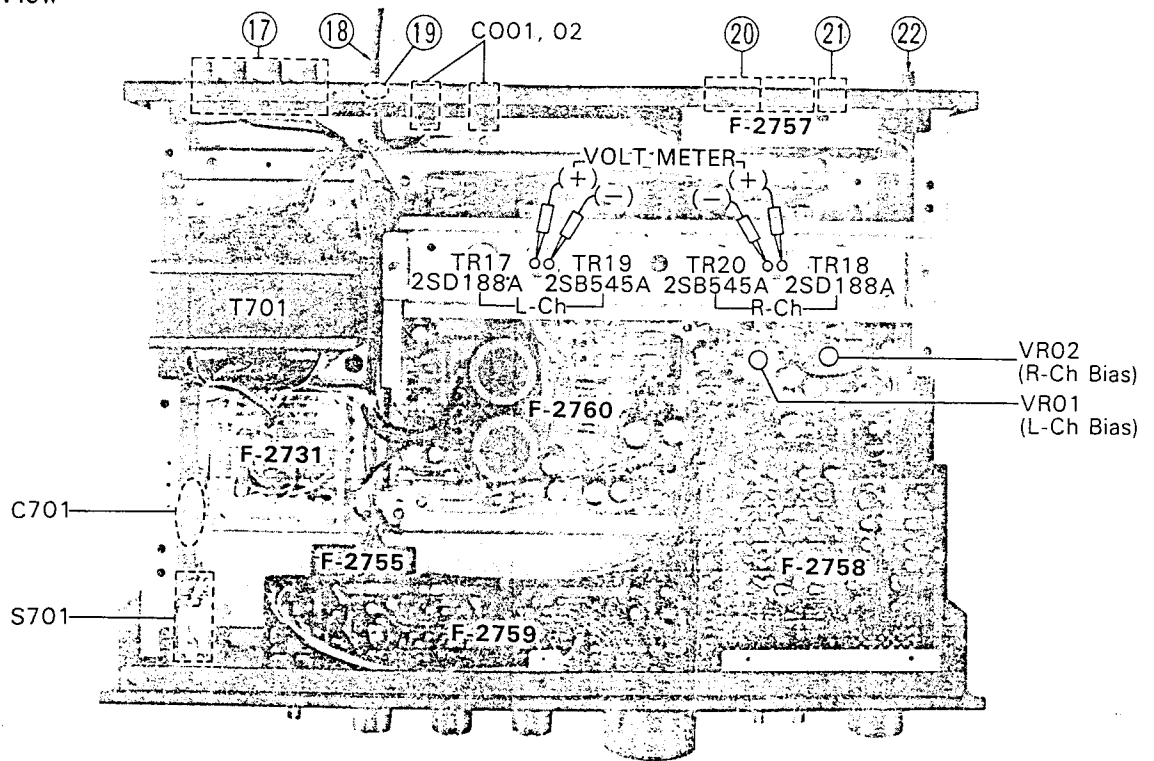
### Parts List <Front & Bottom View>

Parts No.	Stock No.	Description	Parts No.	Stock No.	Description	Parts No.	Stock No.	Description
1	5326612	Lever Switch Knob	9	5318910	Volume Knob	•Transistor		
	1172000	Lever Switch, power		1011120, 1	250k $\Omega$ x 2 Volume	TR 13, 14	0306541, 2	2SC1986 O, Y
2	5326612	Lever Switch Knob		5048050	Masking Sheet (A)	TR 15, 16	0300911, 2	2SA771 O, Y
	1171020	Lever Switch, high filter		5288962	Plate For VR (M8)			
3	5326612	Lever Switch Knob	10	2430300	Head Phone Jack	C 701	0659811	0.01 $\mu$ F 125V C.C.
	1171020	Lever Switch, loudness	11	7008250	Front Panel Ass'y	R 701, 702	0201221	220 $\Omega$ 1W N.I.R.
4	5326612	Lever Switch Knob		0319120	LED	CO701, 702	2450070	AC Outlet
	1171050	Lever Switch, tape monitor	12	0319120	LED	T 701	4003060	Power Transformer
	5318920	M-10 TY Knob	13	5006920	Bonnet	J 701	2430300	Head Phone Jack
5	1101800	Rotary Switch, input selector	14	5396700	Rack-mounting Adaptor (each)	S 701	1172000	Power Switch
	5048040	Masking Sheet (B)	15	5058773	Bottom Plate			
	5318930	S-14 TY Knob	16	5507350	Leg			
6	1015260, 1	100k $\Omega$ (C) x 2 Bass Volume	17	2230150	Ground Terminal			
	5048020	Masking Sheet (D)	18	2200580	Input Terminal, tuner, aux, tape			
	5318930	S-14 TY Knob	19	2200600	Input Terminal, phono			
7	1015260, 1	100k $\Omega$ (C) x 2 Treble Volume	20	3910600	Strain Relief			
	5048020	Masking Sheet (D)	21	3800470	Power Cord			
	5318930	S-14 TY Knob	22	2210410	Speaker Terminal			
8	1015270, 1	250k $\Omega$ (MN) x 2 Balance Volume	23	5110903	Flange Nut			
	5048020	Masking Sheet (D)						

4-2. AU-217II  
Front View



Top View

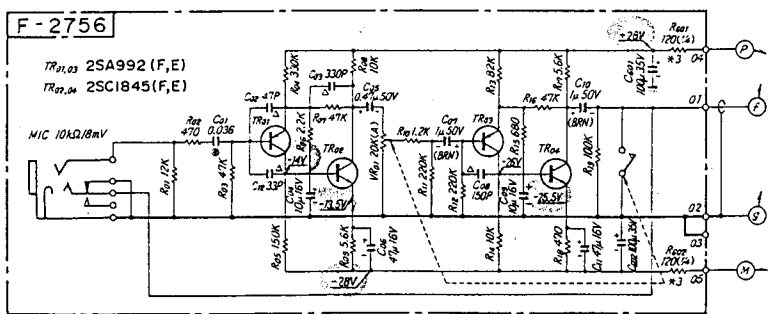
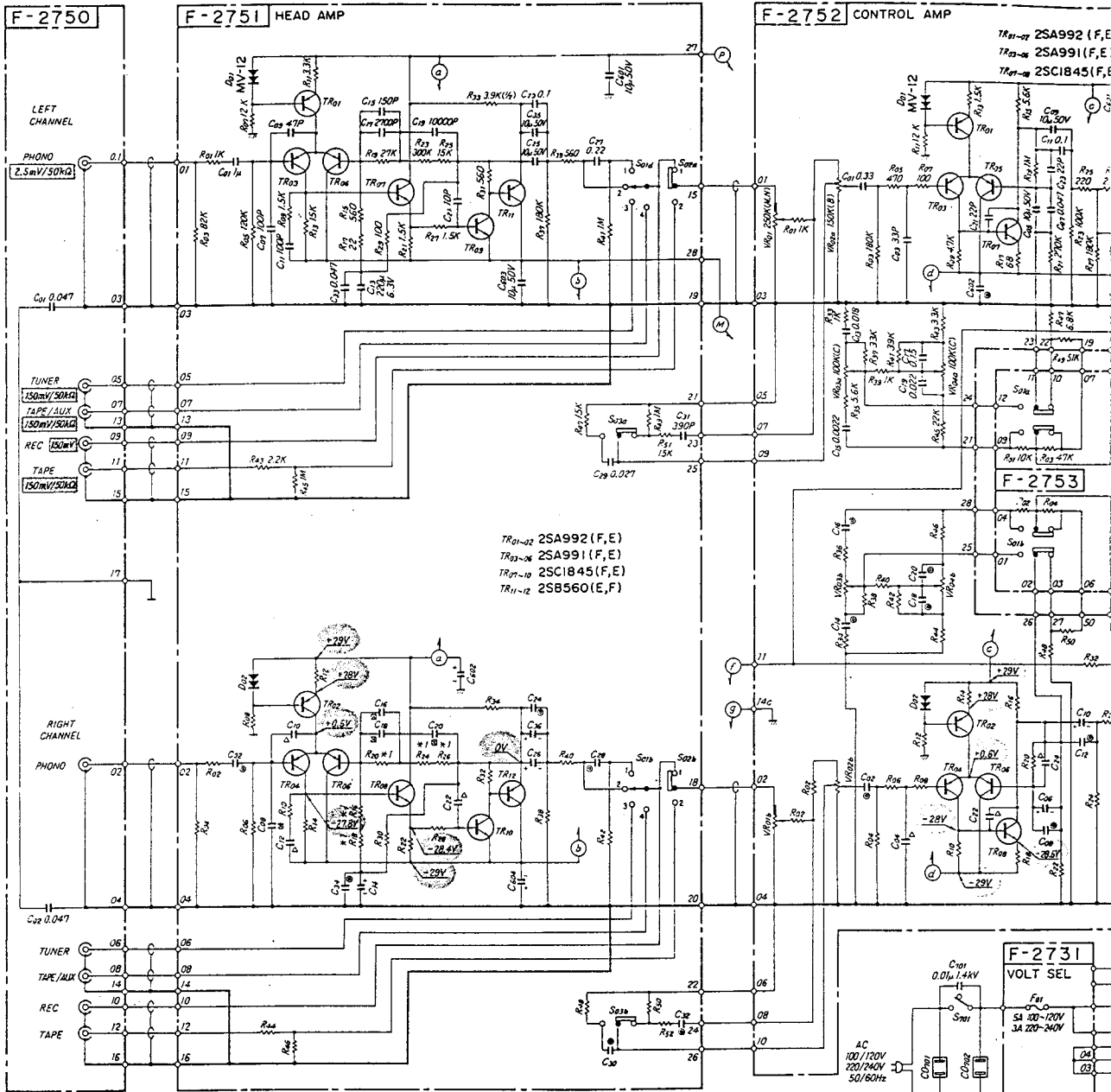


Parts List <Front & Top View>

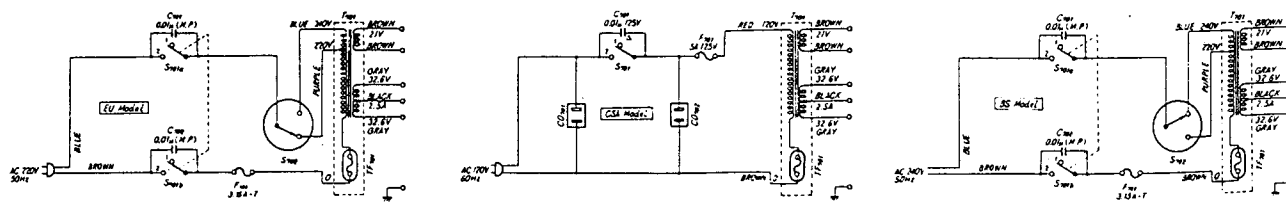
Parts No.	Stock No.	Description	Parts No.	Stock No.	Description	Parts No.	Stock No.	Description
1	5326612	Lever Switch Knob, power	8	5318930	S-14 TY Knob, balance volume	19	3910600	Strain Relief
	1172000	Lever Switch, power		1015270, 1	250kΩ (MNI) x 2 Balance Volume	20	2200580	Input Terminal, tuner, aux, tap
2	5326612	Lever Switch Knob, high filter		5048020	Masking Sheet (D)	21	2200600	Input Terminal, phono
	1171020	Lever Switch, high filter		5318910	Volume Knob	22	2230150	Ground Terminal
3	5326612	Lever Switch Knob, loudness	9	1011120, 1	250kΩ x 2 Volume		5288721	Plate D03, D04 on F-2760
	1171020	Lever Switch, loudness		5048050	Masking Sheet (A)	•Transistor		
4	5326612	Lever Switch Knob, tape monitor		5289952	Plate (MB), volume	TR 17, 18	0308541, 2	2SD188A R, Q
	1171030	Lever Switch, tape monitor	10	2430350	Head Phone Jack	TR 19, 20	0303381, 2	2SB545A R, Q
5	5318920	M-10 TY Knob, input selector	11	7008210	Front Panel Ass'y			
	1102740	Rotary Switch, input selector		0319120	LED	C 701	0659811	0.01μF 125V C.C.
	5048040	Masking Sheet (B)	12	0319120	LED	T 701	4003050	Power Transformer
	5318930	S-14 TY Knob, bass volume	13	5006930	Bonnet	S 701	1172000	Power Switch
6	1015260, 1	100kΩ (C) x 2 Bass Volume	14	5396700	Rack-mounting Adaptor (each)			
	5048020	Masking Sheet (D)	15	5058762	Bottom Plate			
7	5318930	S-14 TY Knob, treble volume	16	5507350	Leg			
	1015260, 1	100kΩ (C) x 2 Treble Volume	17	2210410	Speaker Terminal			
	5048020	Masking Sheet (D)	18	3800470, 1	Power Cord			
						CO701, 702	2450070	AC Outlet



5. SCHEMATIC DIAGRAM 5-1. AU-317II

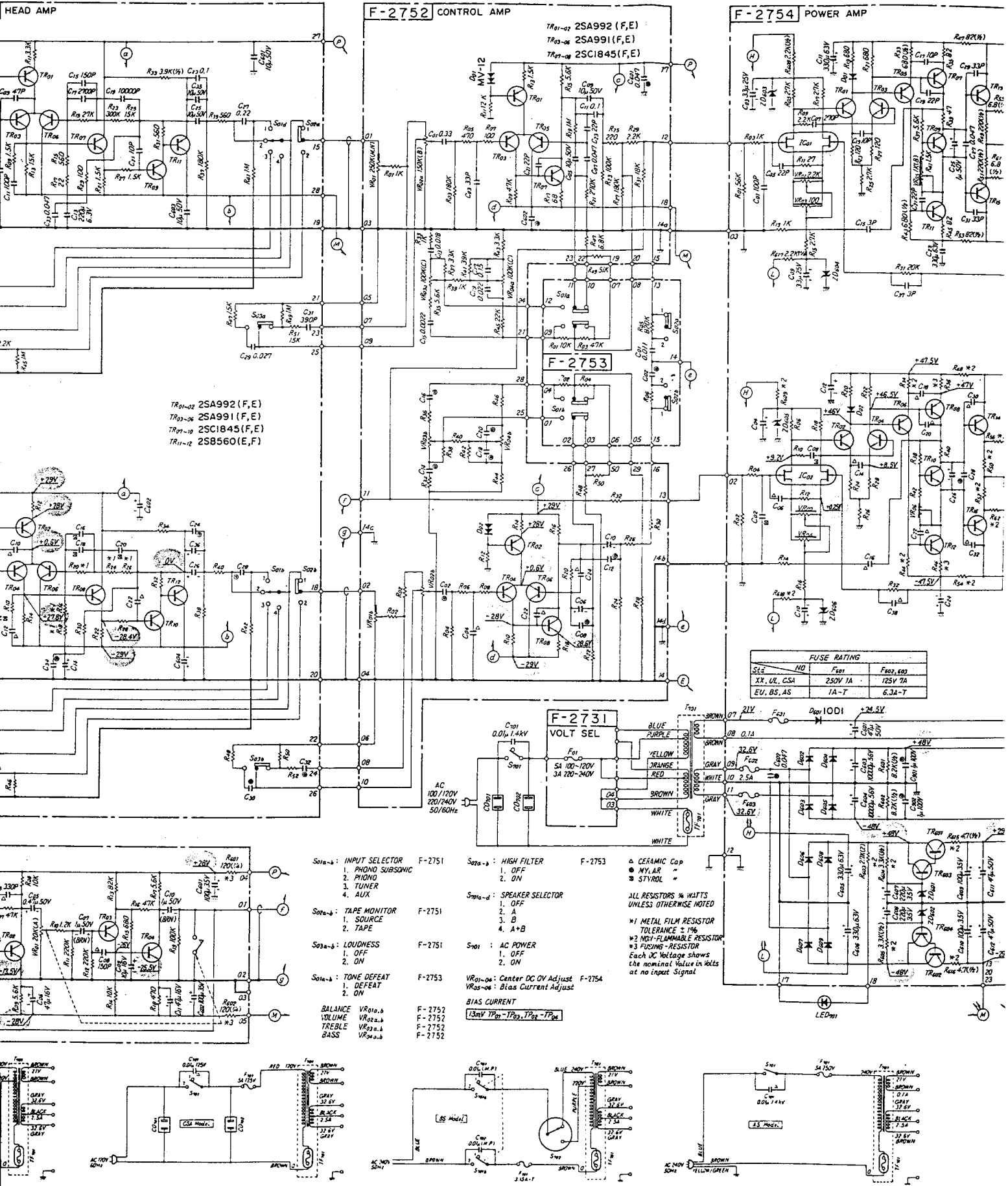


- S01a-b: INPUT SELECTOR F-2751
    1. PHONO SUBSONIC
    2. PHONO
    3. TUNER
    4. AUX
  - S02a-b: TAPE MONITOR F-2751
    1. SOURCE
    2. TAPE
  - S03a-b: LOUDNESS F-2751
    1. OFF
    2. ON
  - S04a-b: TONE DEFEAT F-2753
    1. DEFEAT
    2. ON
  - S05a-b: HIGH FILTER F-2753
    1. OFF
    2. ON
  - S06a-d: SPEAKER SELECTOR F-2751
    1. OFF
    2. A
    3. B
    4. A+B
  - S07: AC POWER F-2751
    1. OFF
    2. ON
  - VR01-a-e: Center DC 0V Adjust F-2754
  - VR02-a-e: Bias Current Adjust F-2754
- BIAS CURRENT**  
1.3mV TP01-TP02, TP03-TP04



B C D E F

# AGRAM 5-1. AU-317II





• Design and specifications subject to change without notice for improvement.  
• La présentation et les spécifications sont susceptibles d'être modifiées sans préavis par suites d'améliorations éventuelles.  
• Änderungen, die dem technischen Fortschritt dienen, bleiben vorbehalten.

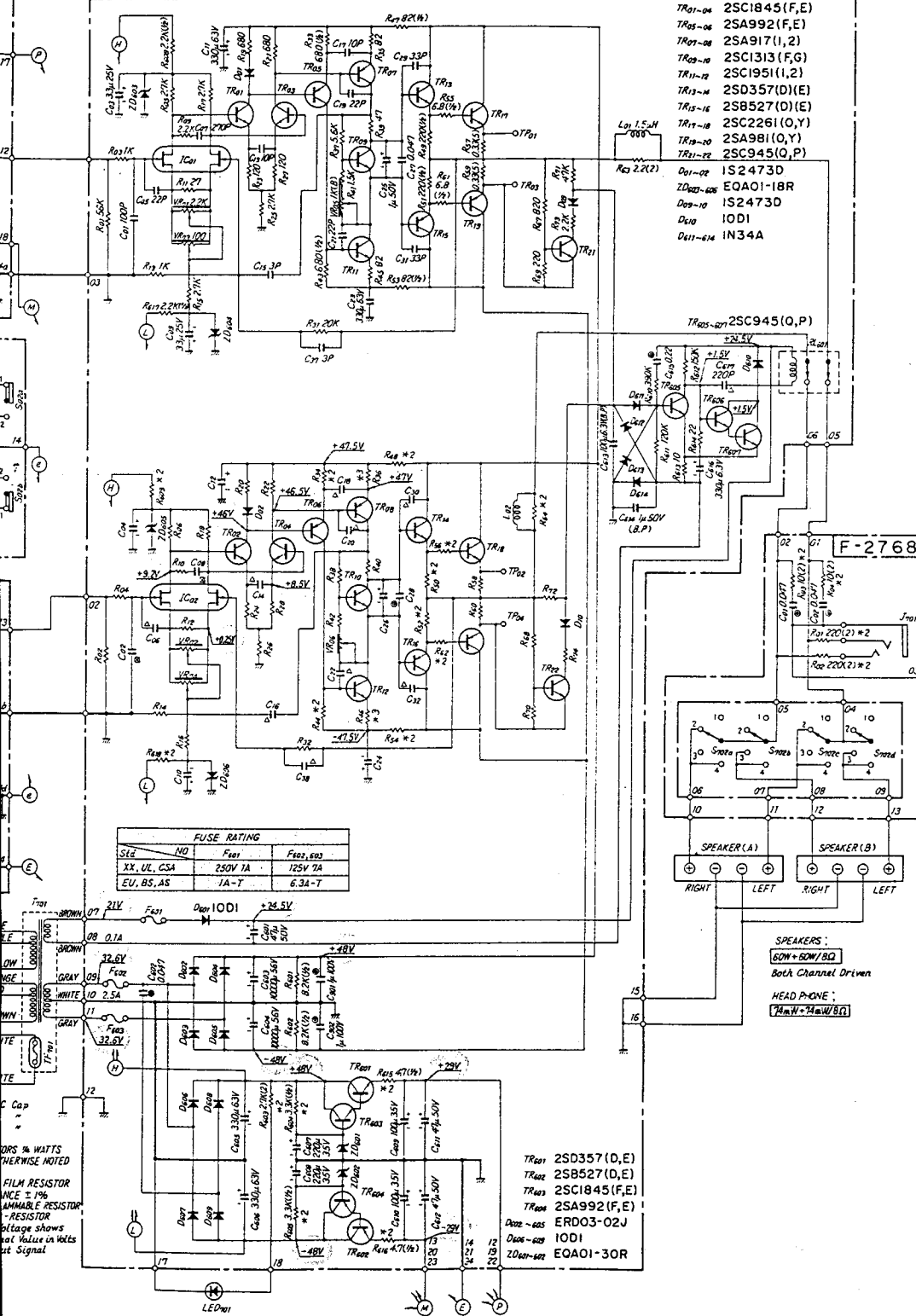
E

F

G

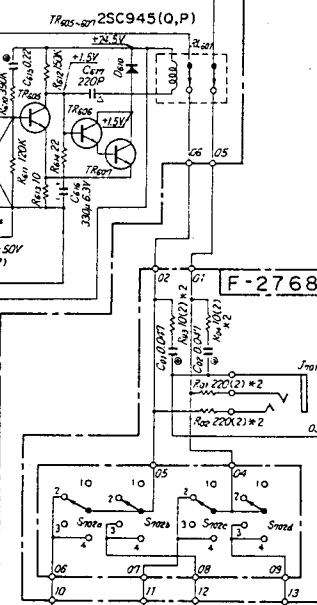
H

F-2754 POWER AMP

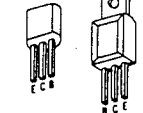


FUSE RATING			
Std	10	F01	F02, 603
XX, UL, CSA	250V 1A	125V 1A	
EU, BS, AS	1A-T	6.3A-T	

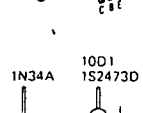
- IC01-02 2SK109(D)(E)
- TR01-04 2SC1845(F,E)
- TR05-06 2SA992(F,E)
- TR07-08 2SA917(I,2)
- TR09-10 2SC1313(F,G)
- TR11-12 2SC1951(I,2)
- TR13-M 2SD357(D)(E)
- TR15-16 2SB527(D)(E)
- TR17-18 2SC2261(O,Y)
- TR19-20 2SA981(O,Y)
- TR21-22 2SC945(O,P)
- D01-02 IS2473D
- ZD003-005 EOA01-18R
- D09-10 IS2473D
- D10 IOD1
- D11-14 IN34A



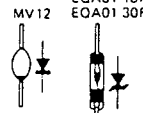
- 2SA917
- 2SA991
- 2SA992
- 2SB560
- 2SC945
- 2SC1845
- 2SC1951
- 2SB527
- 2SD357



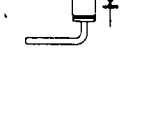
- 2SA981
- 2SC2261
- 2SK109



- IN34A
- 10D1
- 1S2473D



- MV12
- EOA01 18P
- EOA01 30F



- ERD03 02J

RESISTORS IN WATTS  
OTHERWISE NOTED  
FILM RESISTOR  
PRECISION ± 1%  
RESISTOR  
Voltage shows  
not Value in Volts  
at Signal

1

2

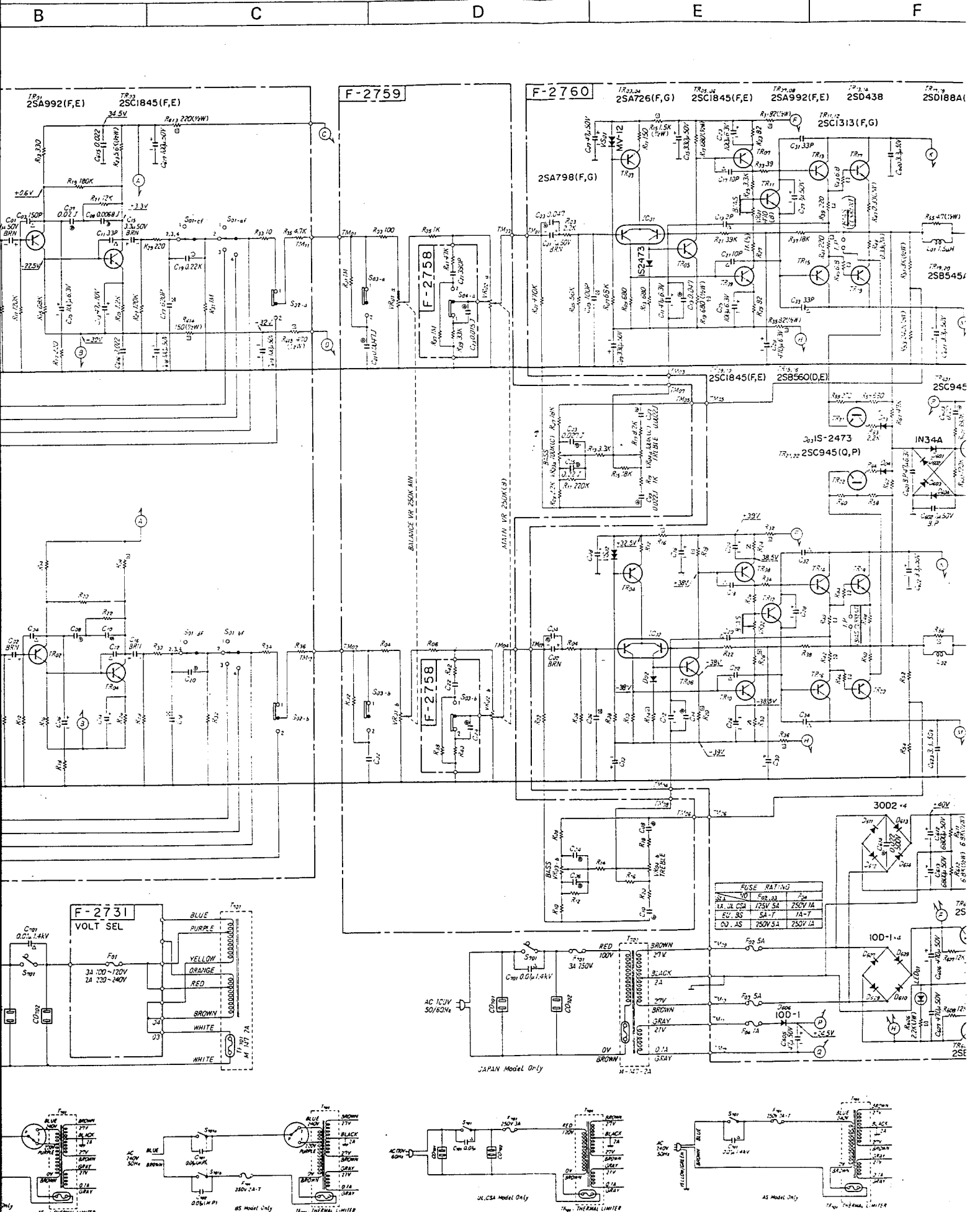
3

4

5



- Design and specifications subject to change without notice.
- La présentation et les spécifications sont susceptibles de varier.
- Änderungen, die dem technischen Fortschritt dienen, vorbehalten.



• Design and specifications subject to change without notice for improvement.  
• La présentation et les spécifications sont susceptibles d'être modifiées sans préavis par suites d'améliorations éventuelles.  
• Änderungen, die dem technischen Fortschritt dienen, bleiben vorbehalten.

E

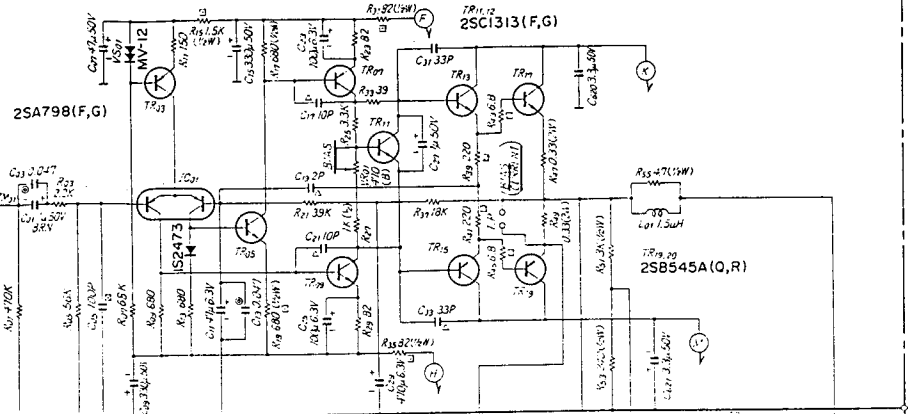
F

G

H

F-2760

TR33.24 2SA726(F,G) TR33.26 2SC1845(F,E) TR33.28 2SA992(F,E) TR33.30 2SD438 TR33.32 2SD188A(Q,R)

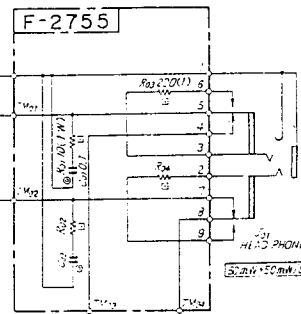
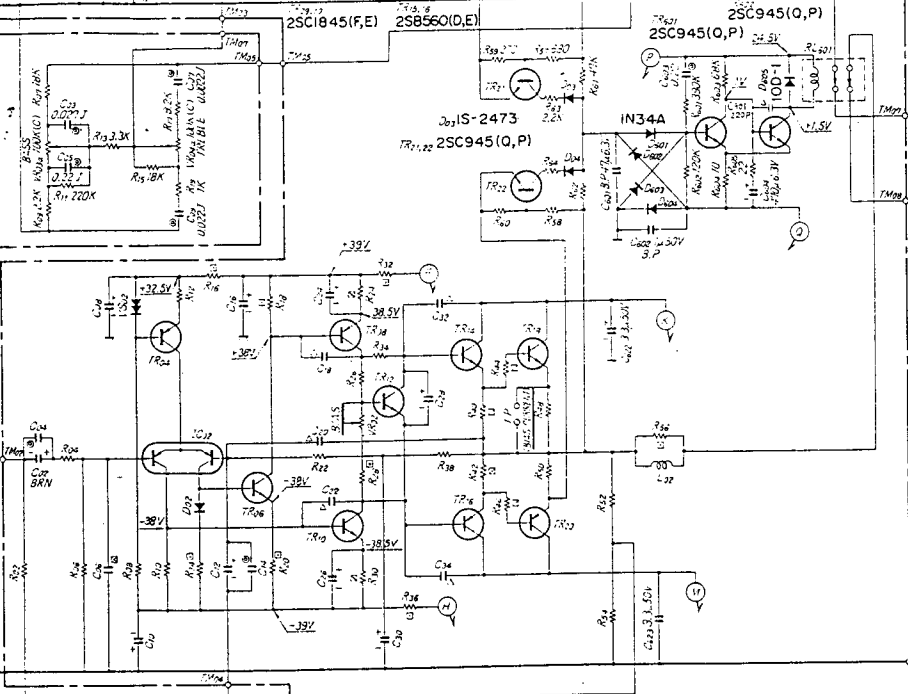


- SWITCHES**
- |                   |           |
|-------------------|-----------|
| SELECTOR          | Source-af |
| 1. PHONO Subsonic | Source-af |
| 2. PHONO          | Source-af |
| 3. TUNER          | Source-af |
| 4. AUX            | Source-af |
| TAPE MONITOR      | Sp-a,b    |
| 1. SOURCE         | Sp-a,b    |
| 2. PLAY BACK      | Sp-a,b    |
| HIGH FILTER       | Sp-a,b    |
| 1. OFF            | Sp-a,b    |
| 2. ON             | Sp-a,b    |
| LOUDNESS          | Sp-a,b    |
| 1. OFF            | Sp-a,b    |
| 2. ON             | Sp-a,b    |

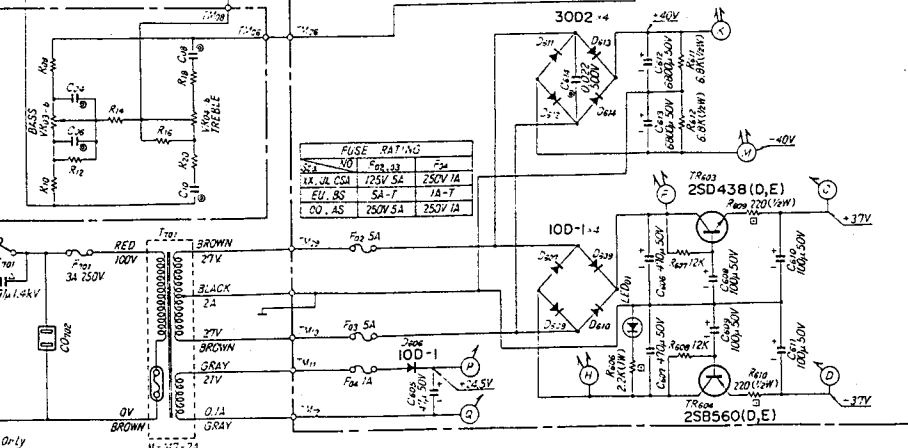
- NOTICE**
- CAPACITOR**
- |                              |                           |
|------------------------------|---------------------------|
| 1. Ceramic                   | 2. Fusing Resistor        |
| 3. Styral                    | 4. Non-Flammable Resistor |
| 5. Mylar                     |                           |
| 6. Polar Electrolytic        |                           |
| 7. Capacitance Tolerance ±5% |                           |

**RESISTOR**  
All Resistors 1/4 Watts  
Unless Otherwise Noted

Each D.C. Voltage shows the nominal value in volts as no input signal

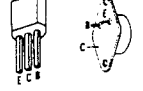


LEFT RIGHT  
SPEAKER  
40W x 40W/8Ω  
BOTH CHANNEL DRIVEN  
AT 1000Hz  
20 ~ 20000 Hz  
3 AS CURRENT  
20mA (1mA of Bias current point)

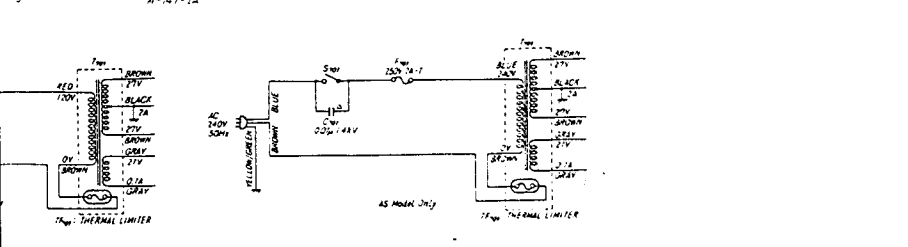
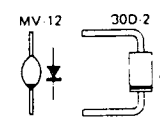
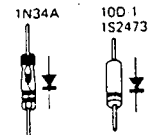


FUSE RATING		
10	1A	250V 1A
15	1.5A	250V 1A
20	2A	250V 1A
25	2.5A	250V 1A
30	3A	250V 1A

2SA992  
2SB560  
2SC945  
2SC1845  
2SD438



2SA726  
2SC1313



1

2

3

4

5

- Design and specifications subject to change without notice for improvement.
- La présentation et les spécifications sont susceptibles d'être modifiées sans préavis par suites d'améliorations éventuelles.
- Änderungen, die dem technischen Fortschritt dienen, bleiben vorbehalten.

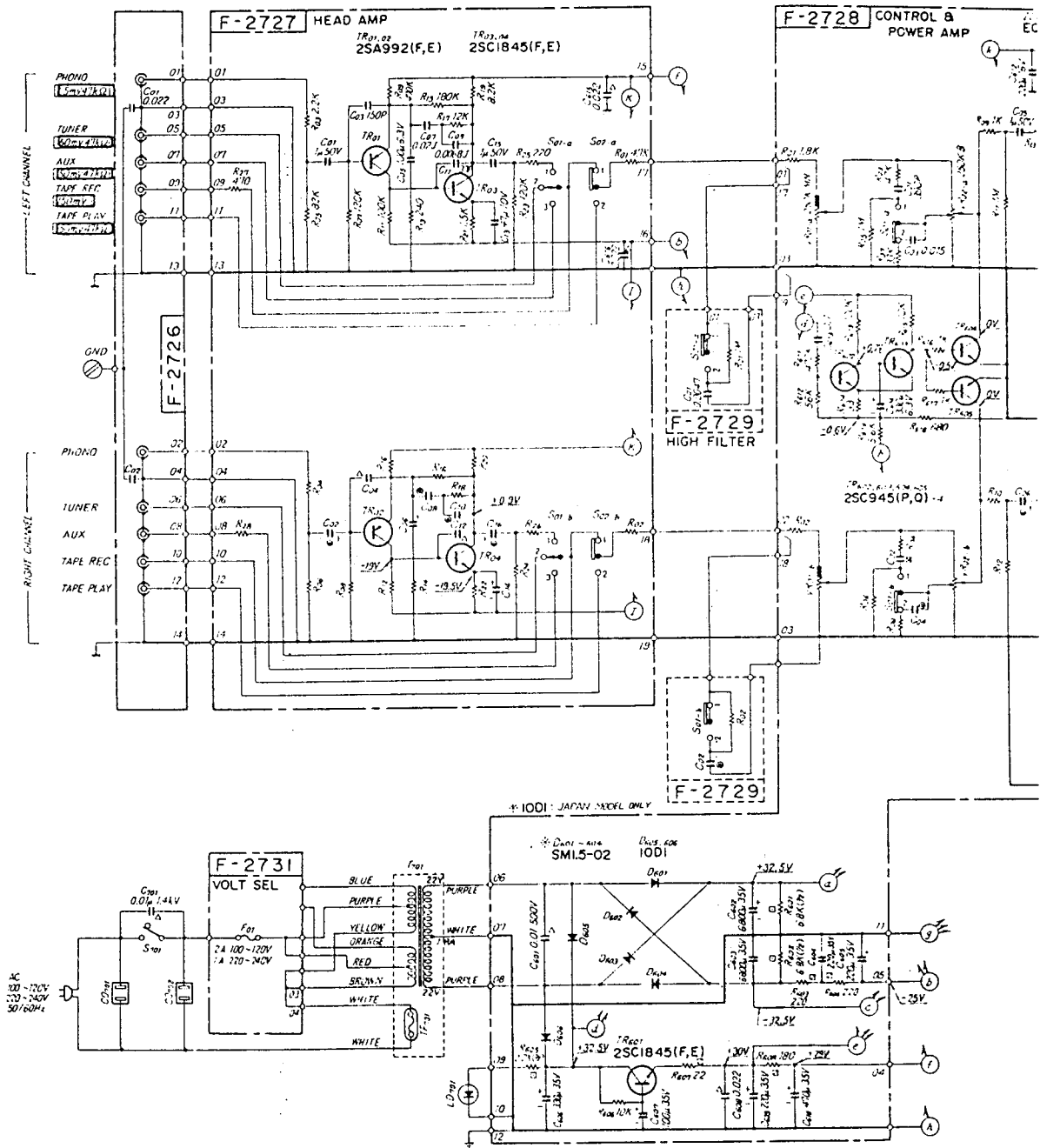
D

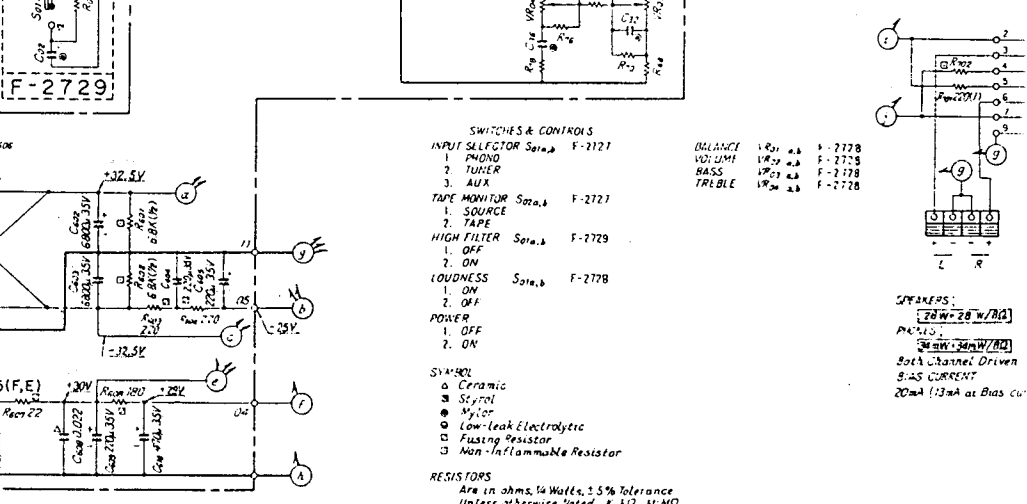
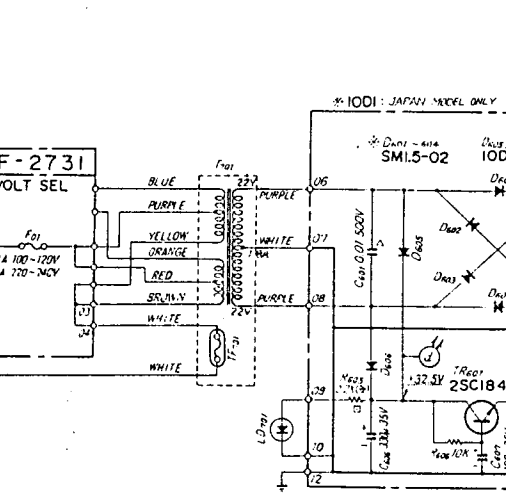
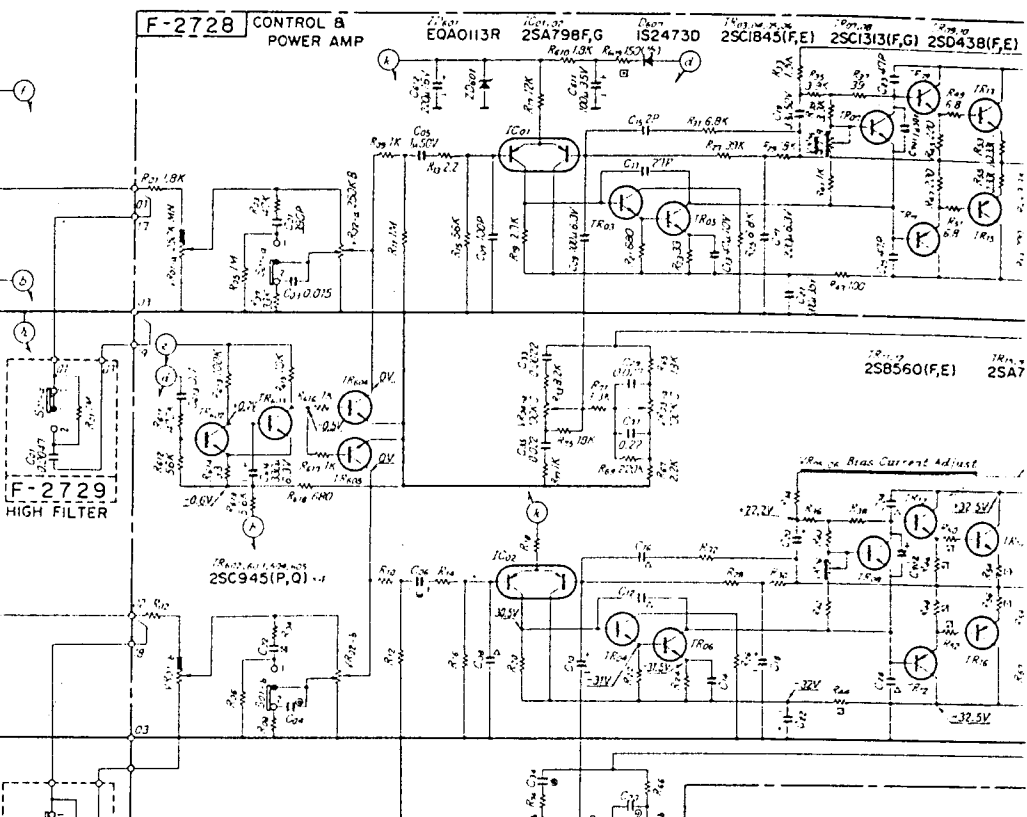
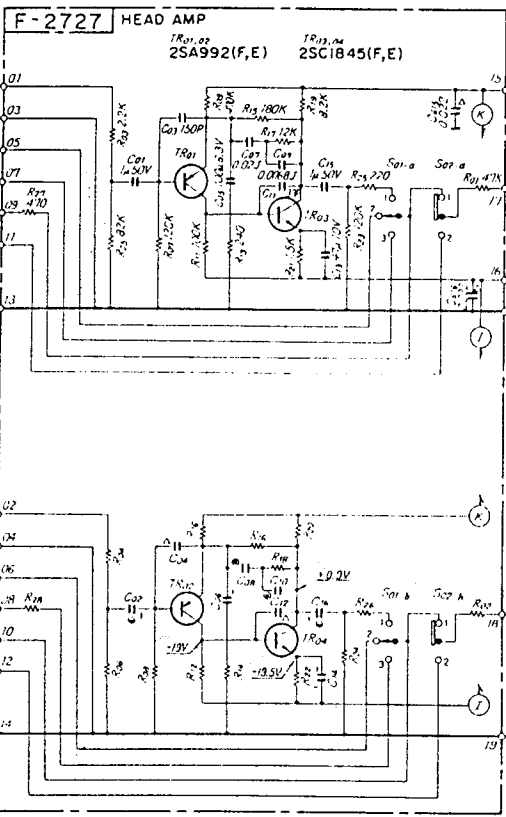
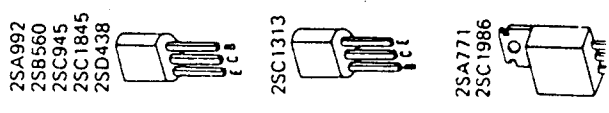
C

B

A

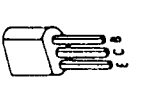
5-3. AU-117II



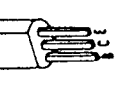


- SWITCHES & CONTROLS**
- INPUT SELECTOR Seta,b F-2727
    - PHONO
    - TUNER
    - AUX
  - TAPE MONITOR Seta,b F-2727
    - SOURCE
    - TAPE
  - HIGH FILTER Seta,b F-2729
    - OFF
    - ON
  - LOUDNESS Seta,b F-2728
    - ON
    - OFF
  - POWER Seta,b F-2728
    - OFF
    - ON
- SYMBOLS**
- Ceramic
  - Crystal
  - 5% T
  - Low-leak Electrolytic
  - Fusing Resistor
  - Non-Inflammable Resistor
- RESISTORS**  
Are in ohms, 1/4 Watts, ±5% Tolerance Unless otherwise noted. K, M, Ω, MΩ
- CAPACITORS**  
Are in μF, Unless otherwise noted. P, P-F
- TOLERANCES**  
J: ±5%, G: ±2%, F: ±1%
- BALANCE** VR1 a,b F-2728  
**VOLUME** VR2 a,b F-2728  
**BASS** VR3 a,b F-2728  
**TREBLE** VR4 a,b F-2728
- SPEAKERS**  
20Wx20W/R/R  
R41,R10  
20Wx30W/R/R  
Both Channels Driven  
8-ΩS CURRENT  
20mA (13mA at Bias Cu)

2SC945  
2SC1845  
2SD438



2SC1313



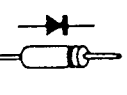
2SA771  
2SC1986



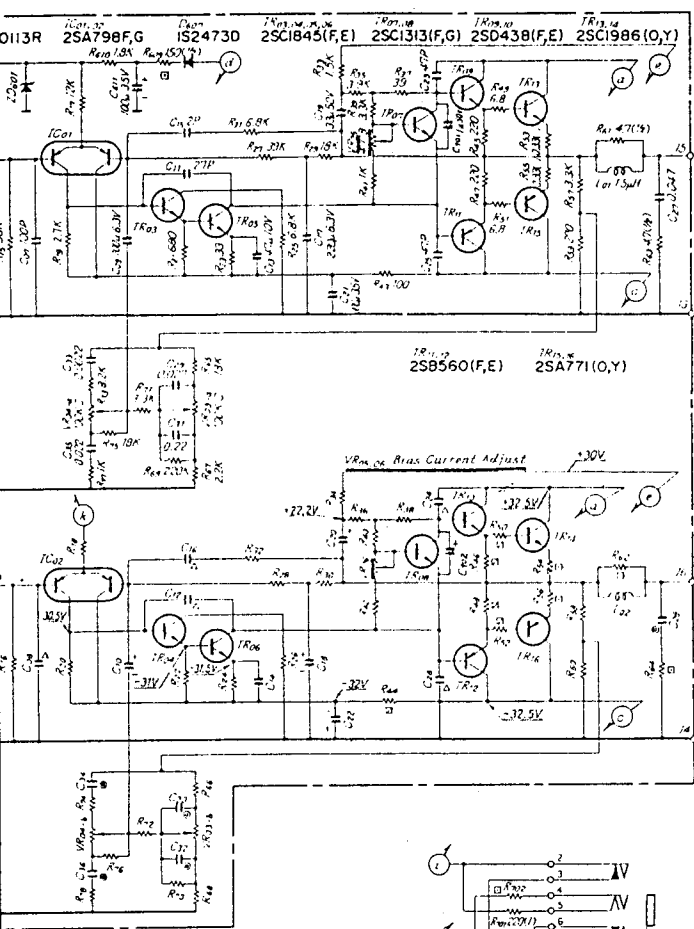
2SA798



1001  
IS2473D



EOA0113R



**SWITCHES & CONTROLS**

UI SELECTOR S1a,b F-2177  
PHONO S1c F-2178  
TUNER S1d F-2179  
AUX S1e F-2180  
MONITOR S2a,b F-2177  
SOURCE S2c F-2178  
TAPE S2d F-2179  
MUTE FILTER S3a,b F-2179  
OFF S3c F-2180  
VOLUME S3d F-2178  
ON S3e F-2179  
OFF S3f F-2180  
REVERSE S3g F-2179  
OFF S3h F-2180  
ON S3i F-2179

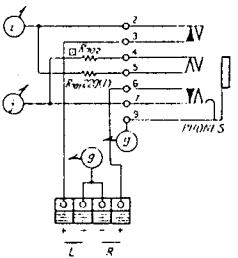
**BOL**  
Ceramic  
Styrol  
Mylar  
Low-Leak Electrolytic  
Fusing Resistor  
Non-Inflammable Resistor

**RESISTORS**  
Are in ohms, 1/4 Watts, ± 5% Tolerance  
Unless otherwise noted. K, 1K, 10K, 100K, 1M, 10M, 100M, 1G

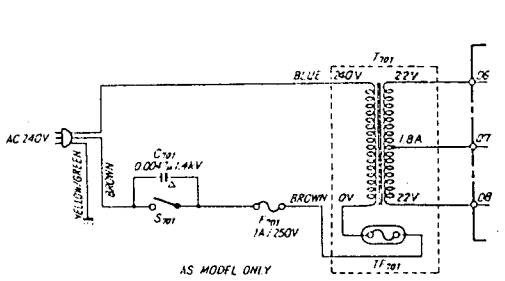
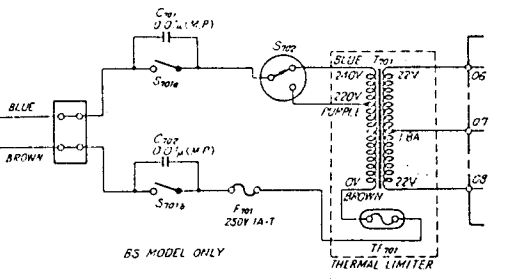
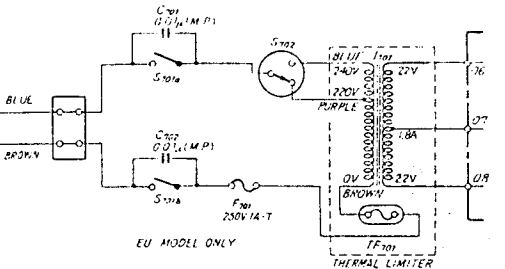
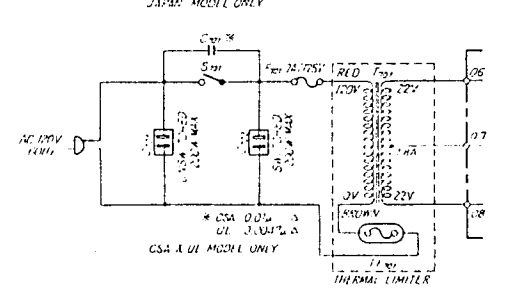
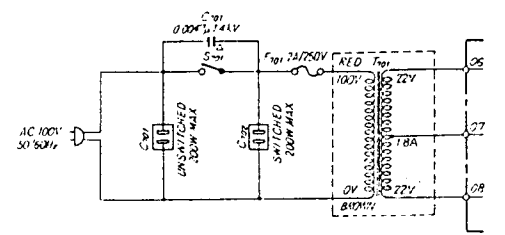
**CAPACITORS**  
Are in μF, Unless otherwise noted. P: pF

**BALANCE**  
F: ± 5%, G: ± 2%, H: ± 1%

BALANCE VR1 a,b F-2178  
VOLUME VR2 a,b F-2178  
BASS VR3 a,b F-2178  
TREBLE VR4 a,b F-2178



**SPEAKERS:**  
20W x 20W (R/L)  
PARALLEL:  
30W x 30W (R/L)  
Both Channel Driven  
BIAS CURRENT  
20mA (13mA at Bias current point)



## 6. PACKING LIST

### 6-1. AU-117II

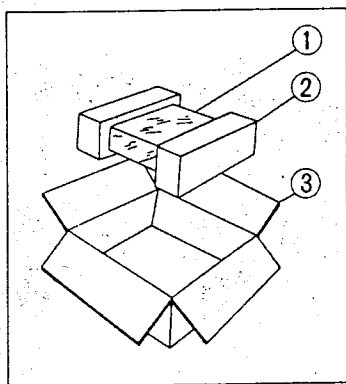
Parts No.	Stock No.	Description
1	9116760	Vinyl Cover
2	9028081	Styrofoam Packing
3	9001720	Carton Case

### 6-2. AU-217II

Parts No.	Stock No.	Description
1	9116760	Vinyl Cover
2	9028081	Styrofoam Packing
3	9001740	Carton Case

### 6-3. AU-317II

Parts No.	Stock No.	Description
1	9116760	Vinyl Cover
2	9028081	Styrofoam Packing
3	9001760	Carton Case



## 7. ACCESSORY PARTS LIST

### 7-1. AU-117II

Stock No.	Description
9204520	Operating Instructions
5396700	Rack-mounting Adaptor (each)
9116830	Vinyl Bag For Rack-mounting Adaptor
9238120	Schematic Diagram

### 7-2. AU-217II

Stock No.	Description
9204530	Operating Instructions
5396700	Rack-mounting Adaptor (each)
9116830	Vinyl Bag For Rack-mounting Adaptor
9238130	Schematic Diagram

### 7-3. AU-317II

Stock No.	Description
9204540	Operating Instructions
5396700	Rack-mounting Adaptor (each)
9116830	Vinyl Bag For Rack-mounting Adaptor
9238140	Schematic Diagram

SANSUI ELECTRONICS CORPORATION: 1250 Valley Brook Ave. Lyndhurst, N.J. 07071 U.S.A.

333 West Alondra Blvd. Gardena, California 90247 U.S.A.

3036 Koapaka St. Honolulu, Hawaii 96819 U.S.A.

North Trade Bldg (9th floor) Noorderlaan 133-Bus 1, 2030 Antwerp, Belgium

Arabella center, 6 Frankfurt AM Main, Lyoner Strasse 44-48, West Germany

SANSUI AUDIO EUROPE N.V.:

SANSUI AUDIO EUROPE S.A.:

SANSUI ELECTRIC COMPANY LTD.: 14-1, Izumi 2-chome, Suginamiku, Tokyo 168 Japan PHONE: (03) 323-1111/TELEX: 232-2076

