

**SELECTOR S<sub>i</sub> (a-j)**

- PHONO
- FM AUTO
- AM
- AUX

**S<sub>2a</sub>-S<sub>2b</sub> SPEAKER LOFF 2.A 3.B 4.A+B**

**S<sub>3a</sub>-S<sub>3b</sub> TAPE MONITOR (1) LOFF 2.ON**

**S<sub>3c</sub>-S<sub>3d</sub> TAPE MONITOR (2) LOFF 2.ON**

**S<sub>4</sub>-S<sub>4c</sub> MODE 1.STEREO 2.MONO**

**S<sub>5a</sub>-S<sub>5b</sub> LOUDNESS 1.ON 2.OFF**

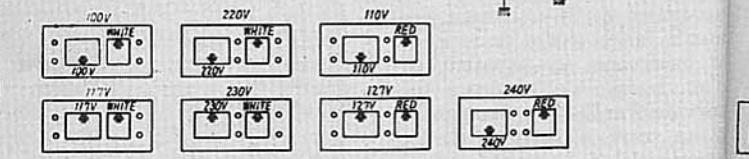
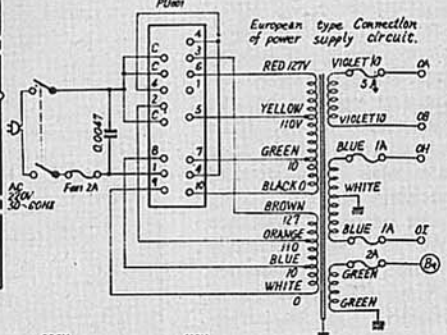
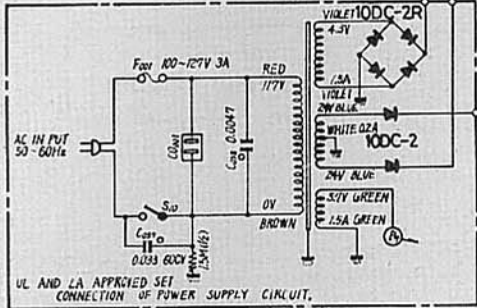
**S<sub>7</sub> HIGH FILTER LOFF 2.ON**

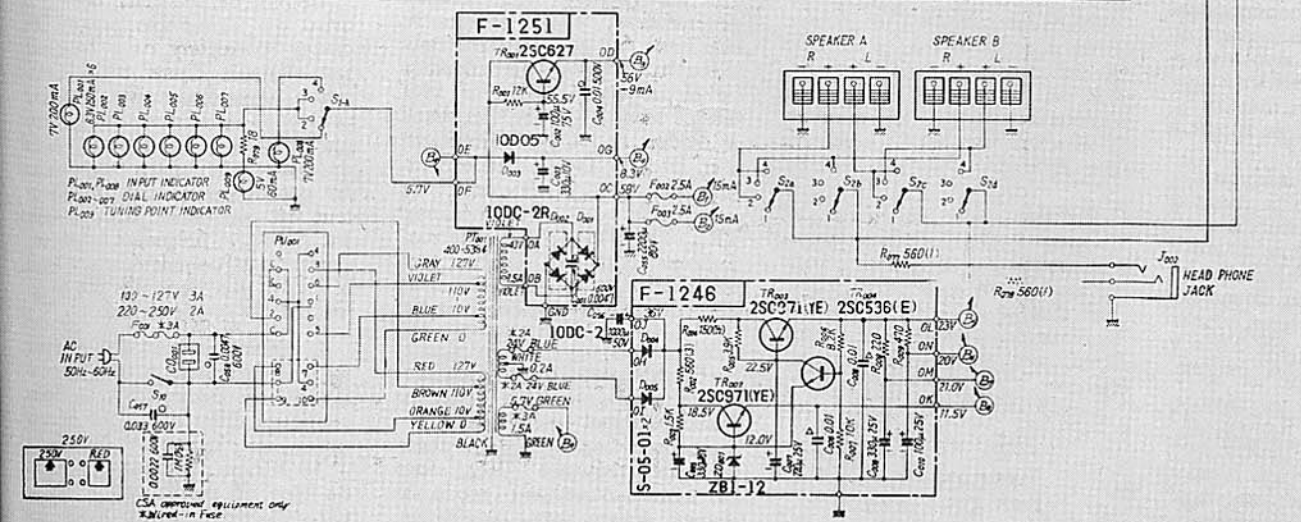
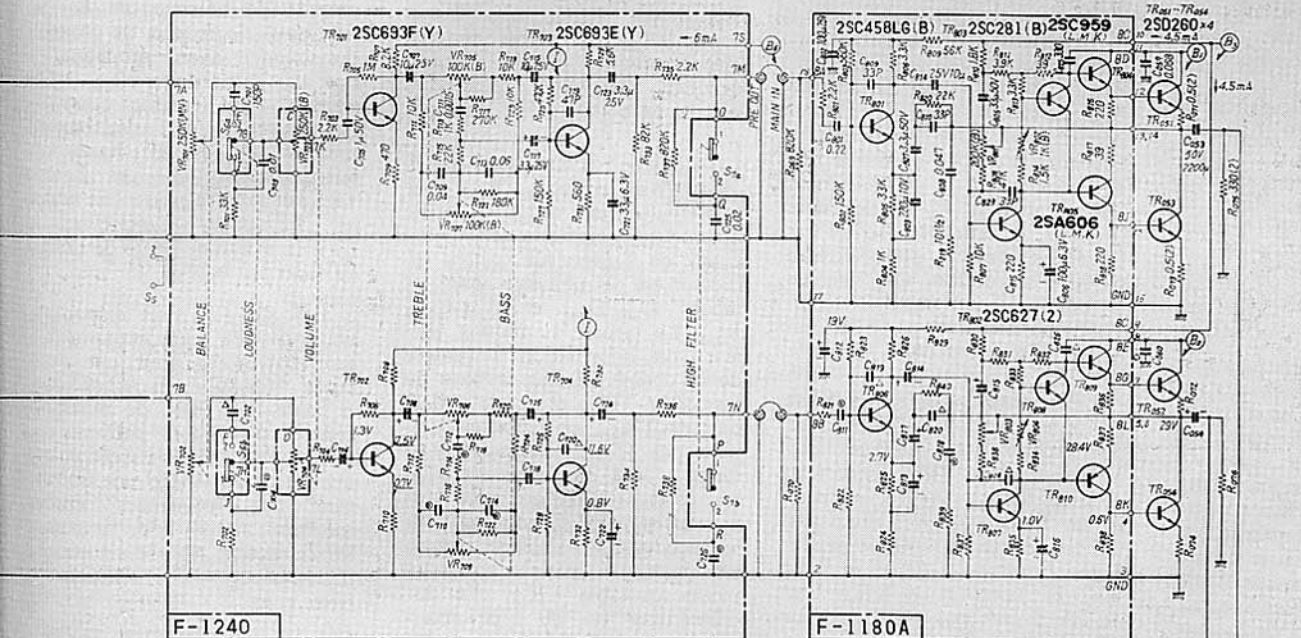
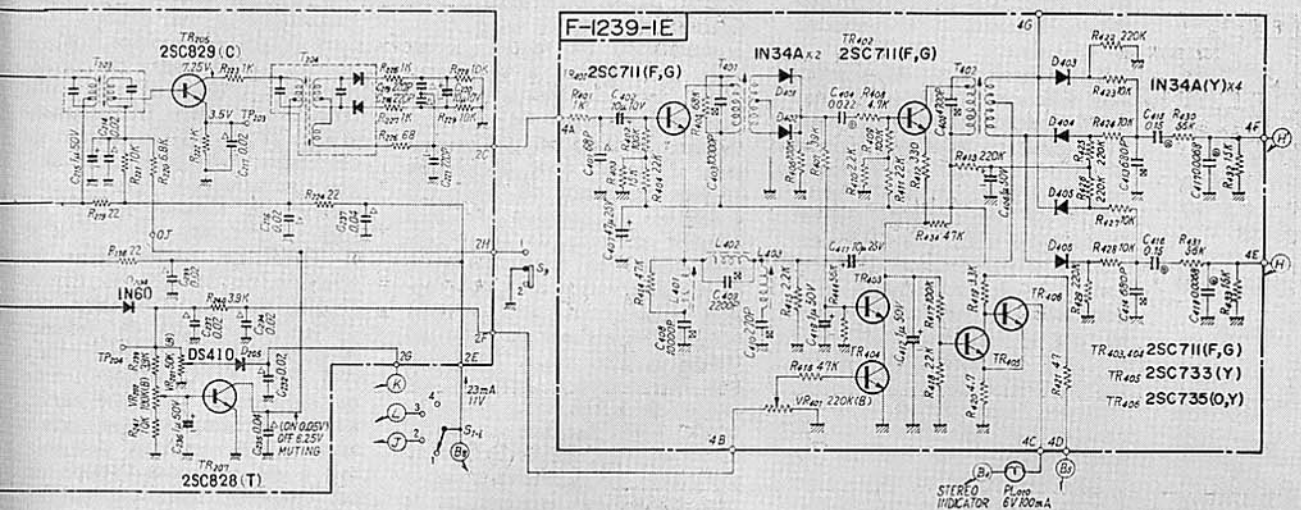
**S<sub>8</sub> ANTENNA 1.DISTANCE 2.LOCAL**

**S<sub>9</sub> MUTING 1.OFF 2.ON**

**CAPACITOR**

- OIL UNLESS OTHERWISE NOTED
- NYLAR UNLESS OTHERWISE NOTED
- TANTALUM AT CIRCUIT METER 1V/20K
- △ STYROL ( ) INDICATE ONLY THE STEREO TUNING
- CERAMIC
- MICA





CSA approved equipment only  
 \*Insert in Face