

PHONO EQUALIZER

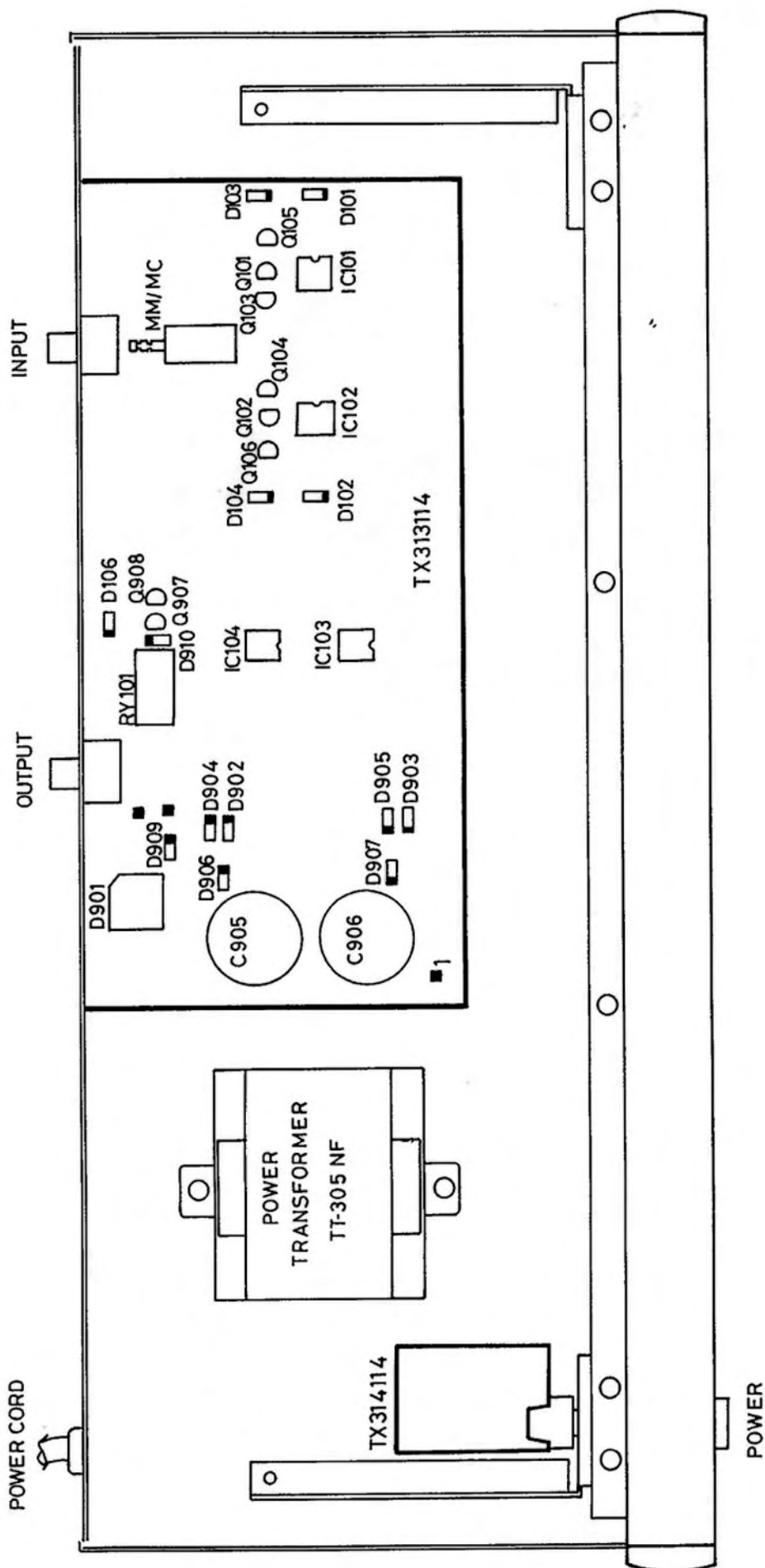
RQ-970BX

TECHNICAL MANUAL

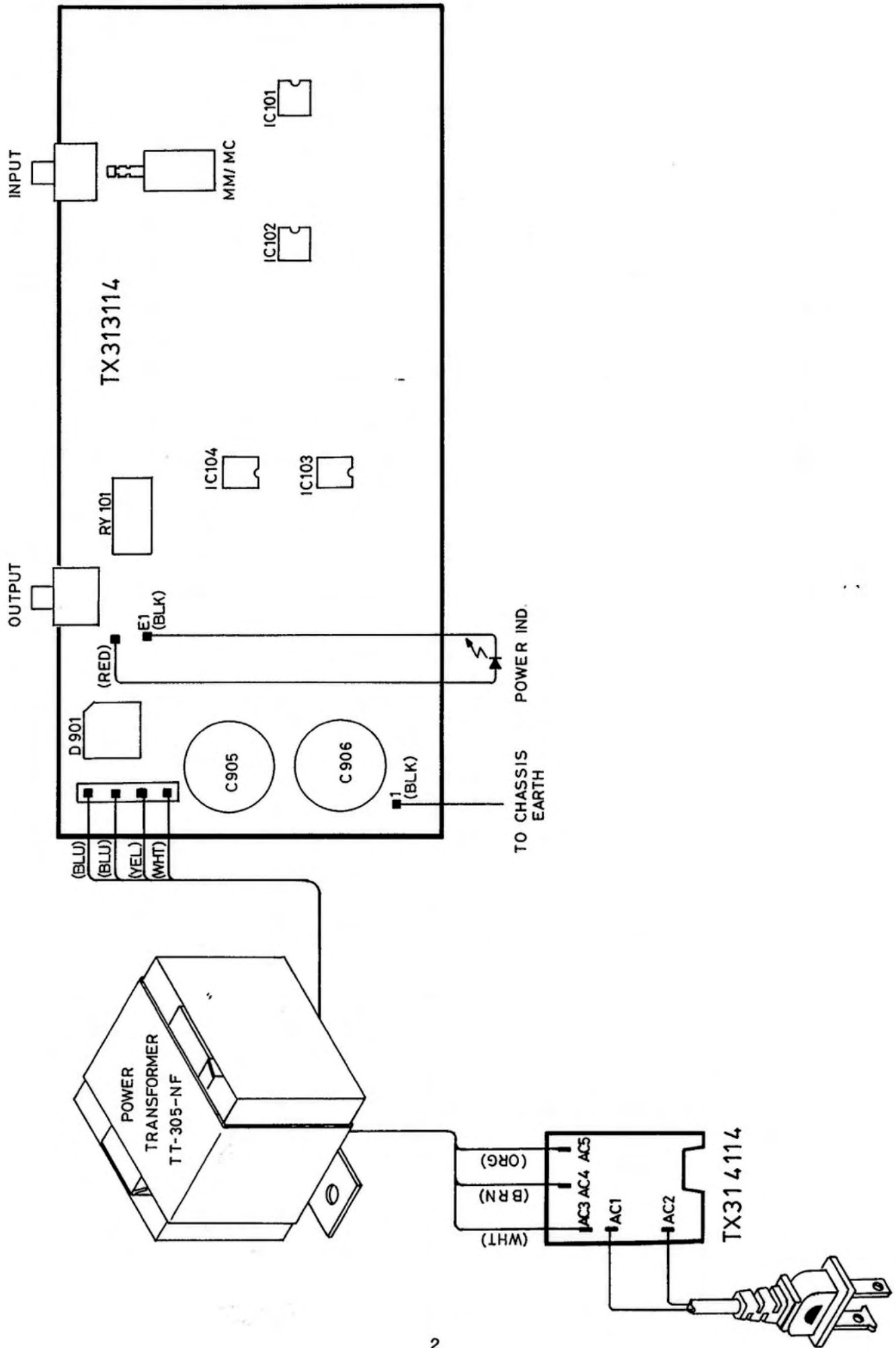
TABLE OF CONTENTS

Chassis Layout.....	1
Wiring Diagram.....	2
Schematic Diagram.....	3
Printed Circuit Board.....	4
PC Board Ass'y Parts List.....	5

Chassis Layout

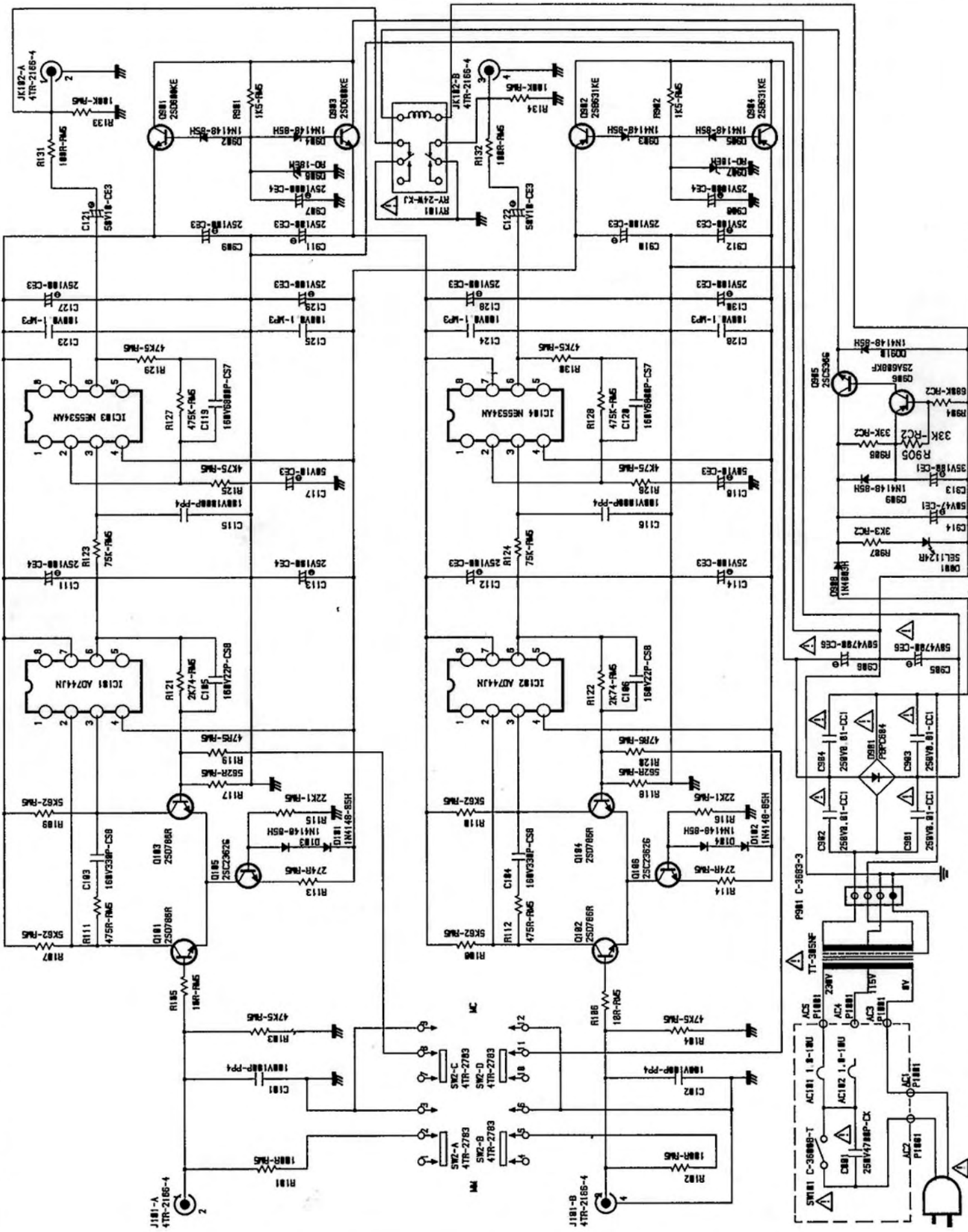


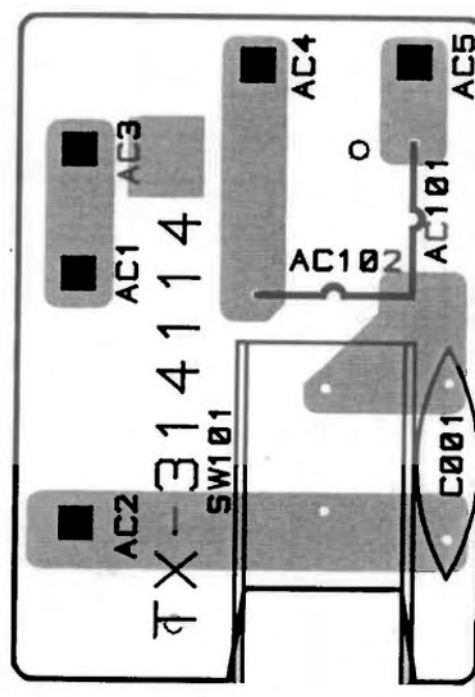
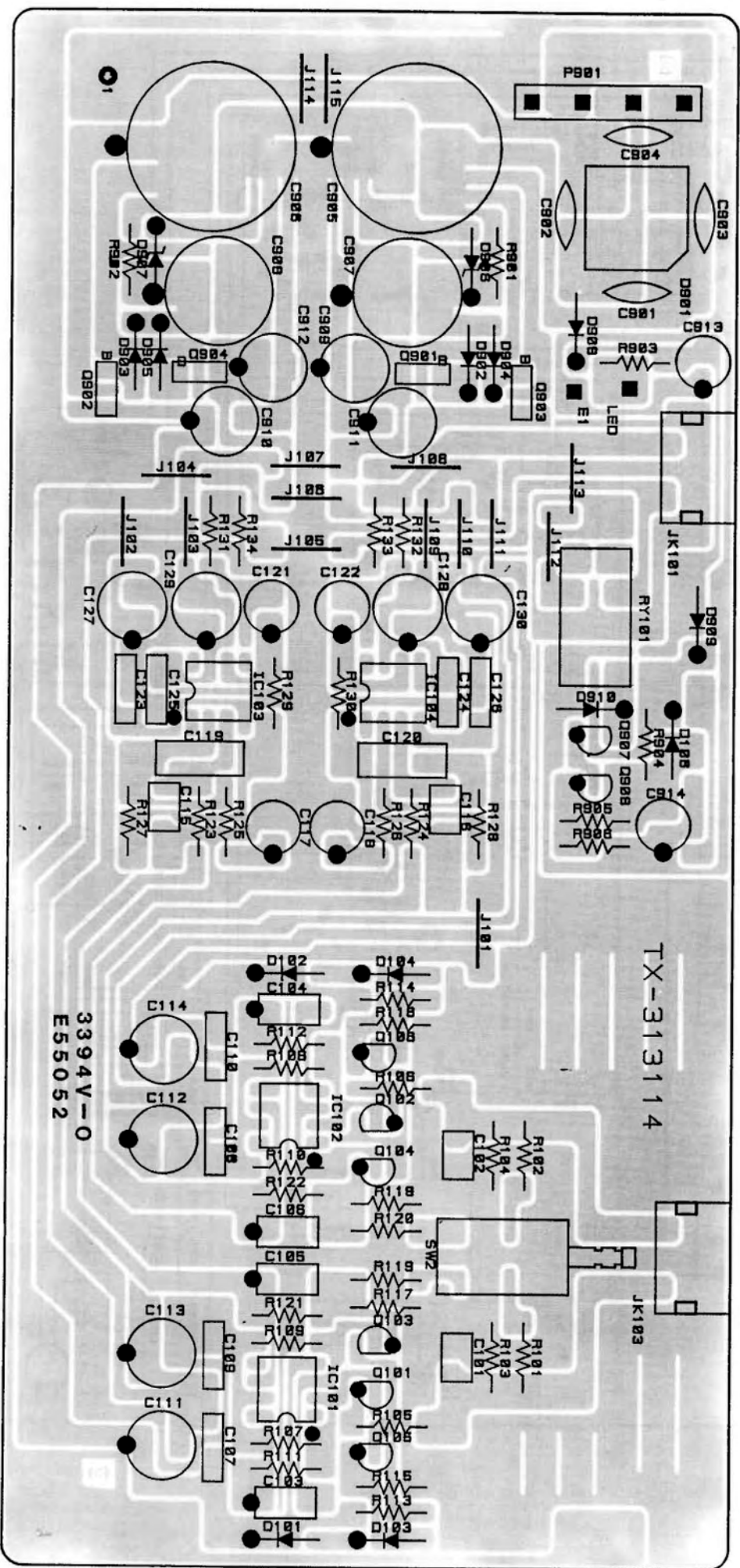
Wiring Diagram



Schematic Diagram

SCHEMATIC DIAGRAM MODEL NO. AQ 3700A





Parts List

NOTE: THE COMPONENTS IDENTIFIED BY Δ MARK ARE FOR SAFETY. REPLACE ONLY WITH ORIGINAL PARTS. DO NOT SUBSTITUTE.

SYMBOL	PARTS NO.	DESCRIPTION
TX313114 PCB ASSEMBLY		
R101, 102	RM81000619	R, METAL MK2100RFECZ.
R103, 104	RM84752616	R, METAL MK247K5FECZ.
R105, 106	RM81009611	R, METAL MK2010RFECZ.
R107-110	RM85621610	R, METAL MK25K62FECZ.
R111, 112	RM84750619	R, METAL MK2475RFECZ.
R113, 114	RM82740611	R, METAL MK2274RFECZ.
R115, 116	RM82212618	R, METAL MK222K1FECZ.
R117, 118	RM85620616	R, METAL MK2562RFECZ.
R119, 120	RM84759611	R, METAL MK247R5FECZ.
R121, 122	RM82741615	R, METAL MK22K74FECZ.
R123, 124	RM87502611	R, METAL MK2075KFECZ.
R125, 126	RM84751612	R, METAL MK24K75FECZ.
R127, 128	RM84753610	R, METAL MK2475KFECZ.
R129, 130	RM84752616	R, METAL MK247K5FECZ.
R131, 132	RM81000619	R, METAL MK2100RFECZ.
R133, 134	RM81003610	R, METAL MK2100KFECZ.
C101, 102	CP71011353	CAP, P.P 100V 100P
C103, 104	CS33311310	CAP, POLYSTYRENE 160V 330P
C105, 106	CS32212300	CAP, POLYSTYRENE 160V 22P
C111-114	CE51005679	CAP, ELEC. 25BGF100M
C115, 116	CP71010300	CAP, P.P 100V 1000P
C117, 118	CE51006477	CAP, ELEC. 50BGF10M
C119, 120	CS36810300	CAP, POLYSTYRENE 160V 6800P
C121, 122	CE51006477	CAP, ELEC. 50BGF10M
C123-126	CP61008321	CAP, M.P. 100V 0.1uF
C127-130	CE51005679	CAP, ELEC. 25BGF100M
D101-106	DD10000100	DIODE IN4148-85
Q101-104	TR40000100	TRANSISTOR 2SD786R/S
Q105, 106	TR30000212	TRANSISTOR 2SD2362F
IC101, 102	IC00003525	IC AD744JN
IC103, 104	IC00001735	IC NE5534AN
RY101	LY00000277	RELAY RSB-24-S
R901, 902	RM81501610	R, METAL MK201K5FECZ.
R903	RD23301820	R, CARBON 3.3K 1/4W J
R904, 905	RD23902827	R, CARBON 39K 1/4W J
R906	RD26803824	R, CARBON 680K 1/4W J
C901-904	CC01009256	CAP, CERAMIC 250V 0.01uF Δ
C905, 906	CE64704449	CAP, ELEC. LGS1H472MHS
C907, 908	CE71004255	CAP, ELEC. 25V 1000uF
C909-912	CE51005679	CAP, ELEC. 25BGF100M
C913	CE04706508	CAP, ELEC. 50V 47uF
C914	CE01005350	CAP, ELEC. 35V 100uF
D901	DD10000380	DIODE BRIDGE PBPC604 Δ
D902-905	DD10000100	DIODE IN4148-85
D906, 907	DD20000041	DIODE RD-18E
D910	DD10000100	IN4148-85
Q901	TR40000069	TRANSISTOR 2SD600KE/KF
Q902, 904	TR10000047	TRANSISTOR 2SB631KE/KF
Q903	TR40000069	TRANSISTOR 2SD600KE/KF
Q907	TR30000327	TRANSISTOR 2SC536G-NP
Q908	TR10000126	TRANSISTOR 2SA608KF/KG
SW2	SH11000367	1 KEY PUSH SW 4TR-2783 4U
JK101, 103	JPO2000211	2P PIN JACK 4TR-2166-4
TX314114 PCB ASSEMBLY		
C001	CK00000035	SPARK KILLER DE7150F472M Δ
SW101	SH40000120	POWER SW C-3600B-T Δ
OTHERS		
AM00002165		PRINTED CHASS. BODY 2TPD-2B
KB20002747		PUSH BUTTON PR4-07A00T 5F
PT30510108		POWER TRANSFORMER TT-305-NF. !
FT00000230		FOOT (PU) 4TR-2823#1 24Fx14H
SP10006818		PANEL SUPPORT (L) QN4-04A00T
SP10006820		PANEL SUPPORT (R) QN4-05A00T

SYMBOL	PARTS NO.	DESCRIPTION
SC00000027		AC CORD STOPPER SR-4N-4 Δ
CD00000218		AC CORD SPT-2 AWG#18 4TR-670#4 (U,C,A,J) Δ
CD00000322		AC POWER CORD 4TR-2757(D) Δ
CD00000048		AC POWER CORD 4TR-1037 (H,E,Y,S1) Δ
CD00000085		AC POWER CORD C-2504A(K1) Δ
CD00000115		AC POWER CORD C-3763-T (G1) Δ
NP00001949		NAME STICKER ROTEL-120V TNP-382
NP00001962		NAME STICKER ROTEL-240V TNP-384
NP00001998		NAME STICKER ROTEL-230V TNP-389
NP00002012		NAME STICKER ROTEL-100V TNP-391
NP00001950		NAME STICKER ROTEL-220V TNP-383
AA70000113		FRONT PANEL 2TPD-1 TFP-713
BU00001145		POWER RING W/LED 4TQF-13 14x14
KB20002681		POWER BUTTON 4TQF-15 14x14
OM10001260		ORNAMENTAL SIDE BOARD 4TR-2797#1
DD40000095		L.E.D SEL1124R
OM70000065		PUSH BUTTON CONNECTOR 4TTL-15
SN00000179		BUTTON SPRING 4TR-1988A#2 10F
AU00001389		TOP COVER QN3-03A02T
SR00000882		UPPER COVER SPACER 4TR-2418
FL00001270		STYROL SIDE MOULDING 3TR-3034 TZ-192
TN10004542		INSIDE CARTON 4TR-3035#6