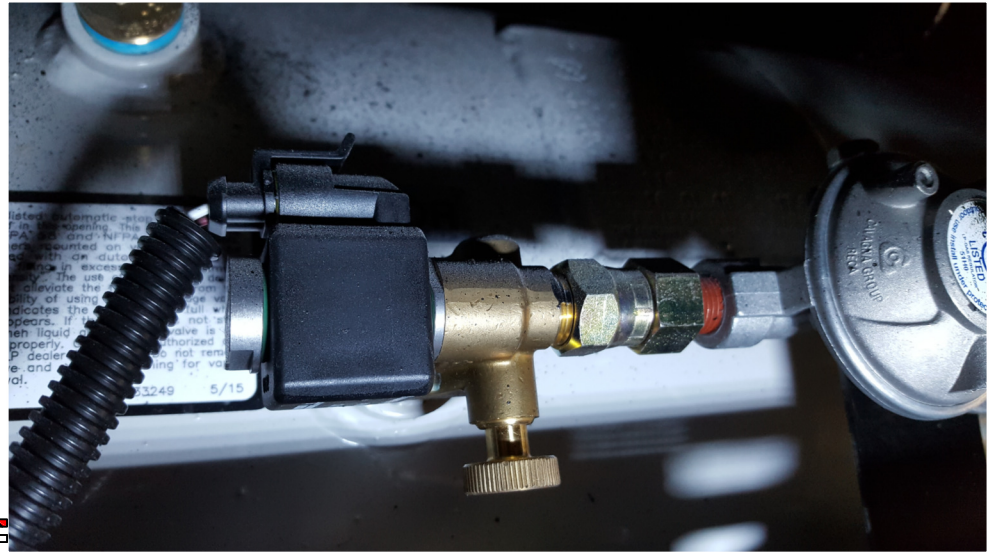
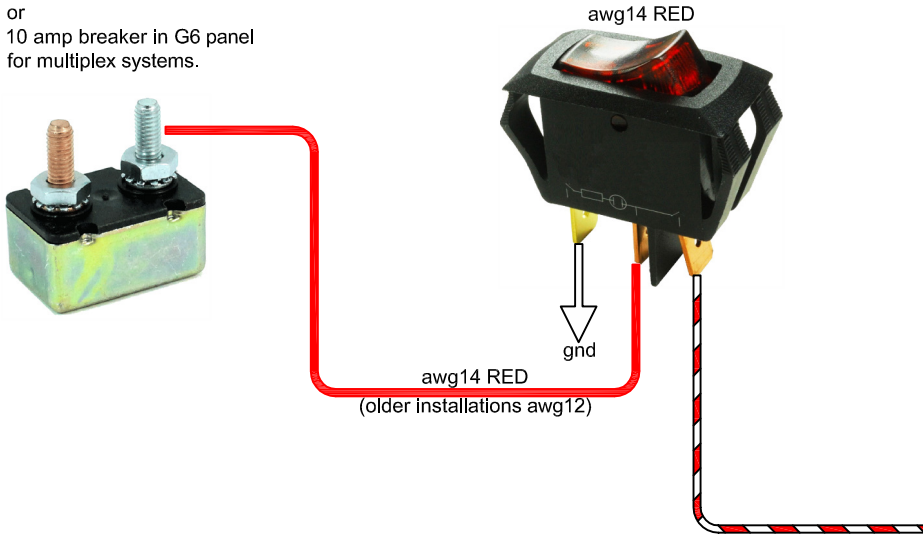
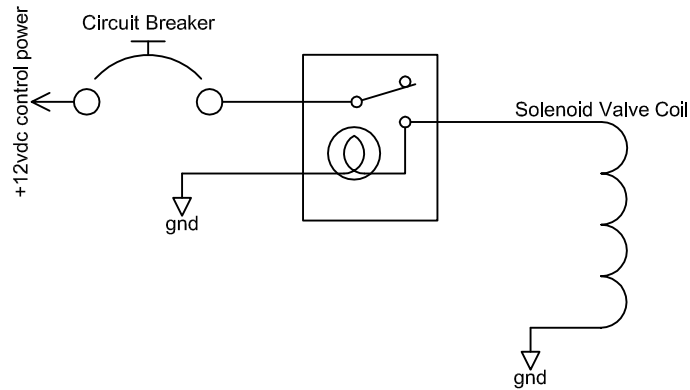


LP Tank Solenoid Valve

10 amp Mini Breaker in Inverter Compartment or 10 amp breaker in G6 panel for multiplex systems.



Solenoid Valve On LP Tank



Drawn By:
mike
Date:
8/16/17

Units:
n/a
Scale:
n/a

Description:
LP Tank Solenoid Valve
Drawing: