

**COMMERCIAL and POOL
MODELS: 302B THROUGH 902B**

CATALOG NO. 9300.752
Effective: 11-01-18
Replaces: 08-01-17

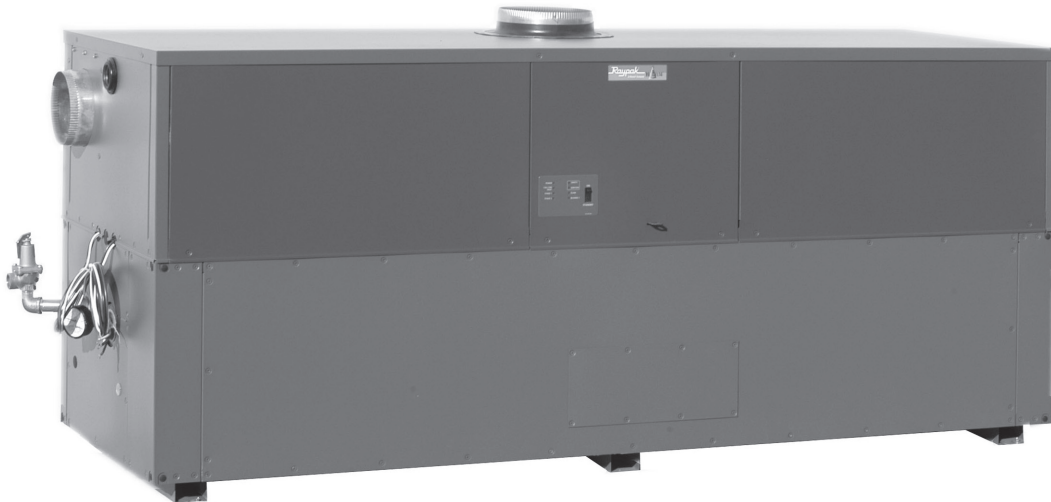
RAYPAK REPLACEMENT PARTS

MODEL SIZES: 302B, 402B, 502B, 652B, 752B & 902B

MODEL TYPES: HI DELTA H, W, WH & P

DATES OF MANUFACTURE: 01-01-07 THROUGH 02-01-17

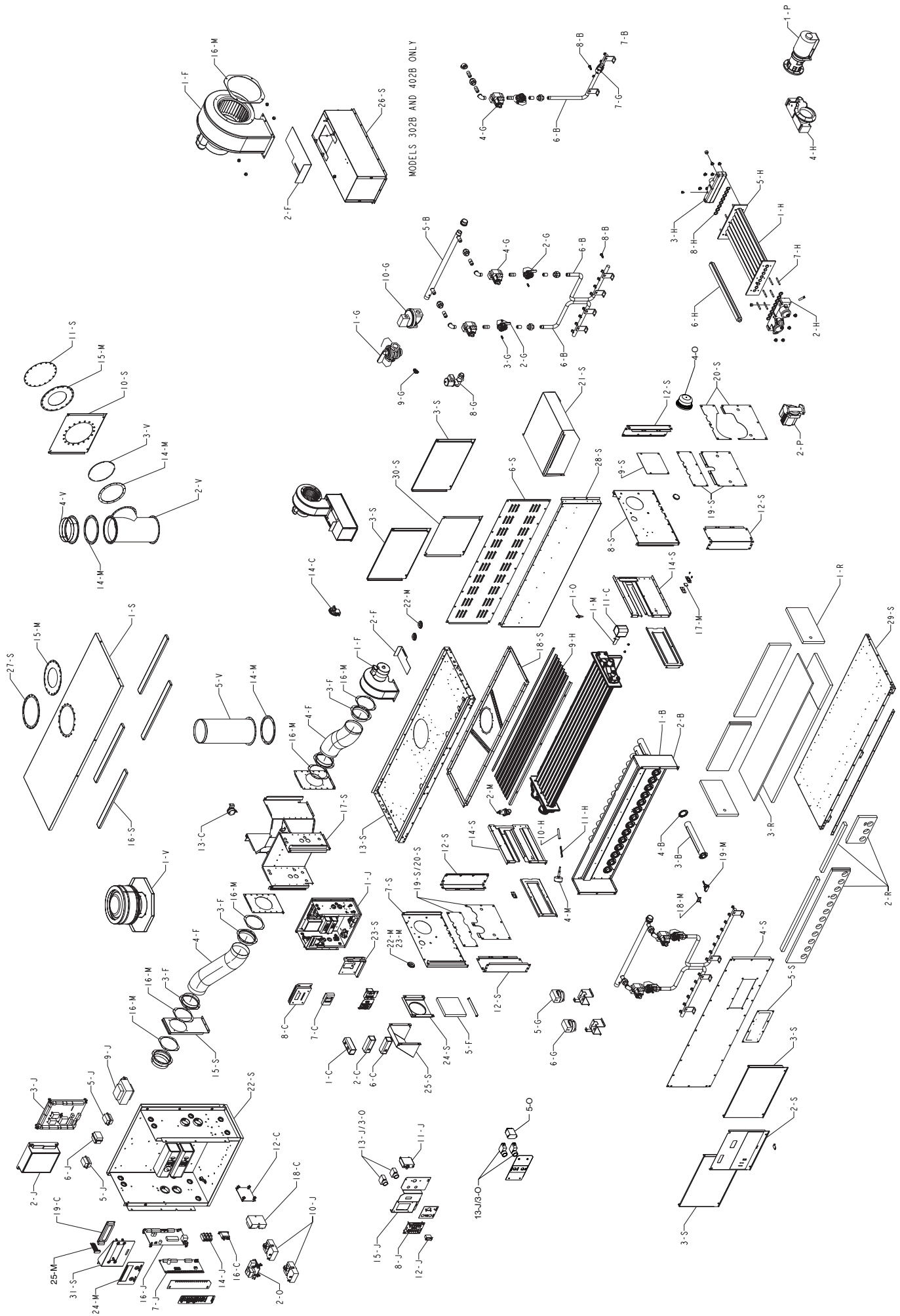
THE PARTS LISTED ARE FOR STANDARD EQUIPMENT FOR THIS MODEL TYPE. RAYPAK RESERVES THE RIGHT TO SUBSTITUTE, DELETE OR CHANGE ANY PART WITHOUT NOTIFICATION. THE ADDITION OF OPTIONS MAY ALSO CHANGE SOME OF THE PARTS. ORDER REPLACEMENT PARTS FROM ACTUAL HEATER COMPONENTS.



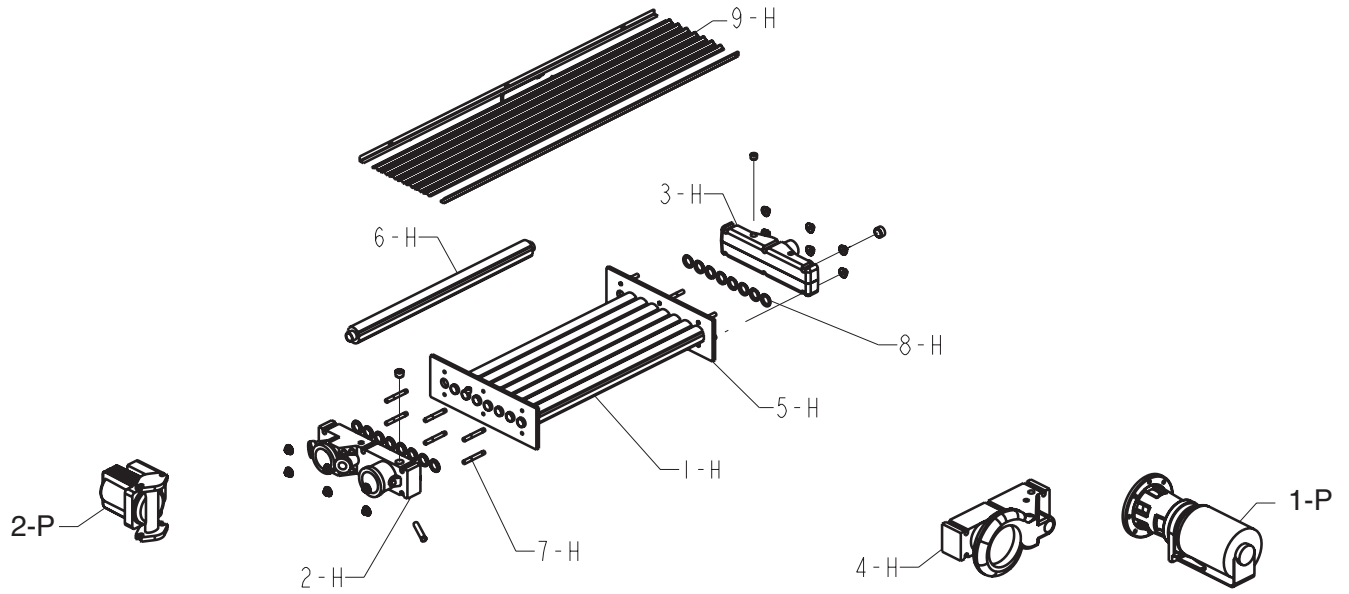
FOR DETAILED INSTRUCTIONS, SEE "HOW TO USE YOUR RAYPAK ILLUSTRATED PARTS LIST",
CATALOG NO. 9001.10



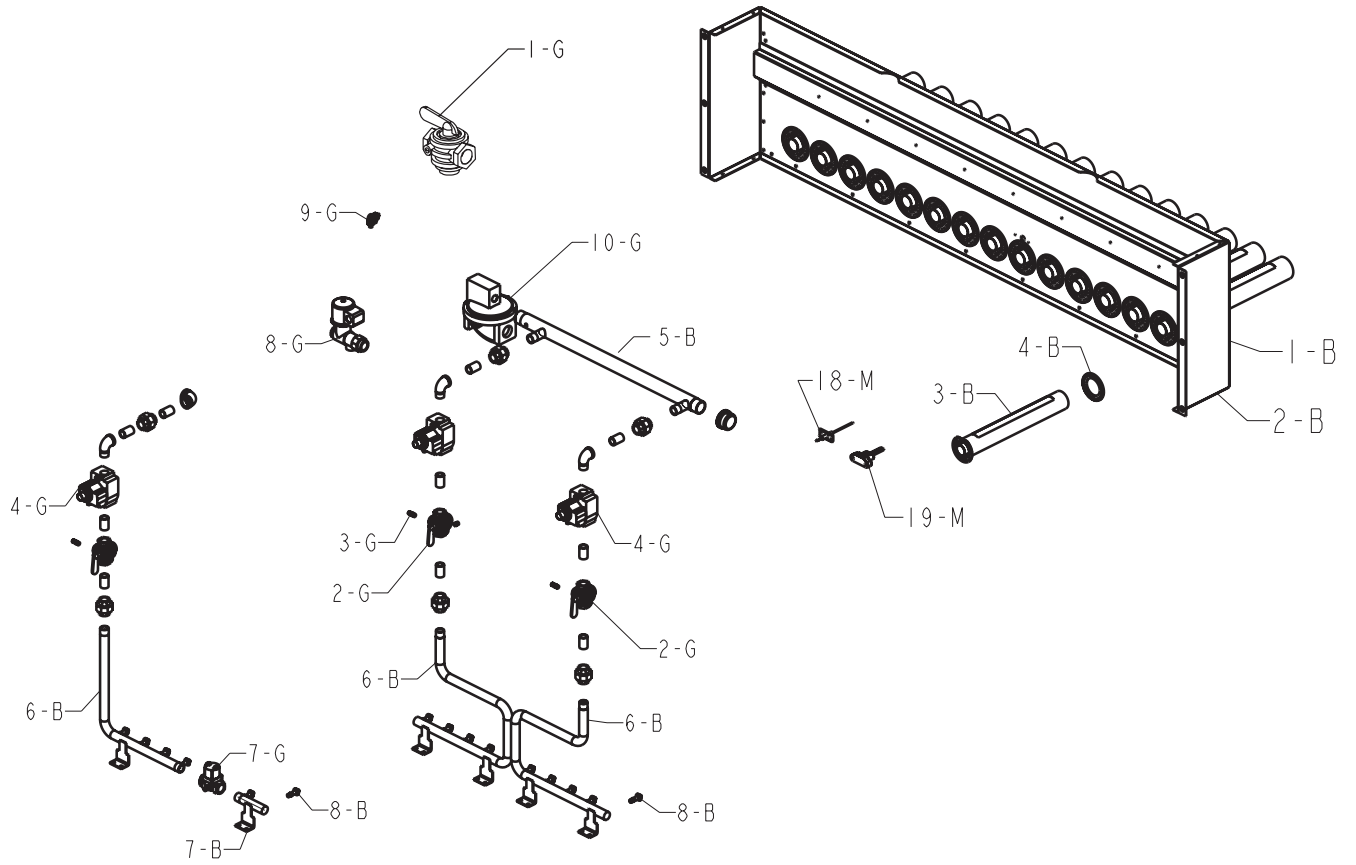
Raypak, Inc., 2151 Eastman Avenue, Oxnard, CA 93030
(805) 278-5300 Fax (800) 872-9725
Litho In U.S.A.



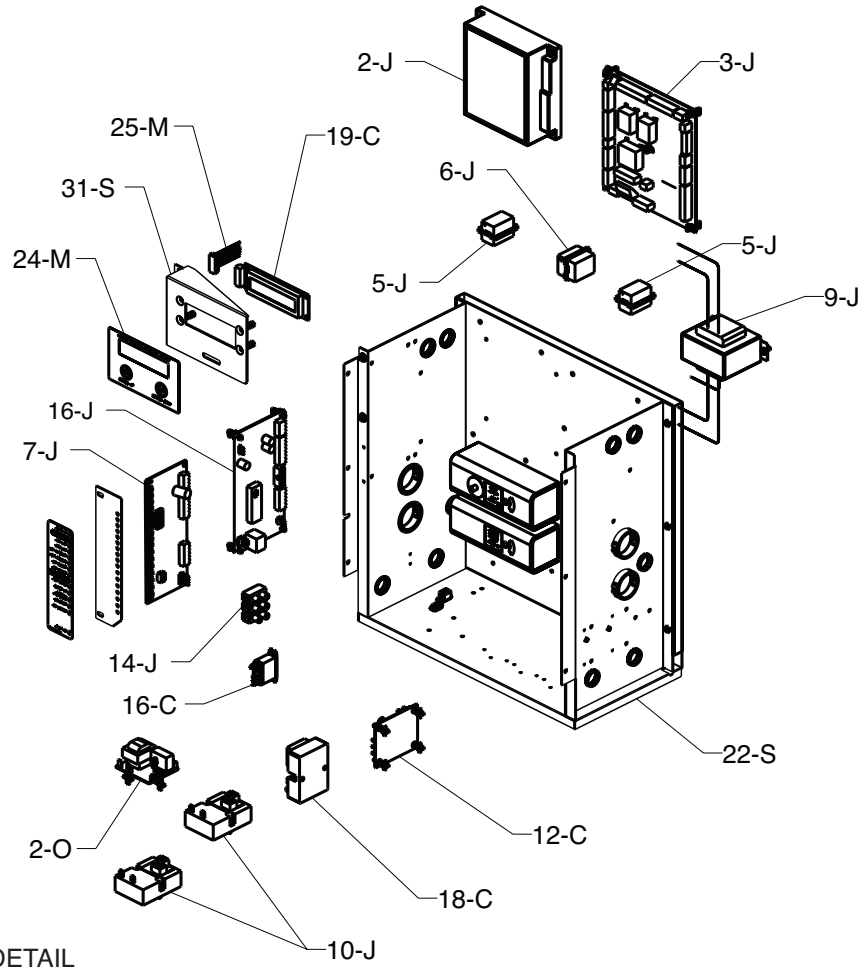
MODELS 302B AND 402B ONLY



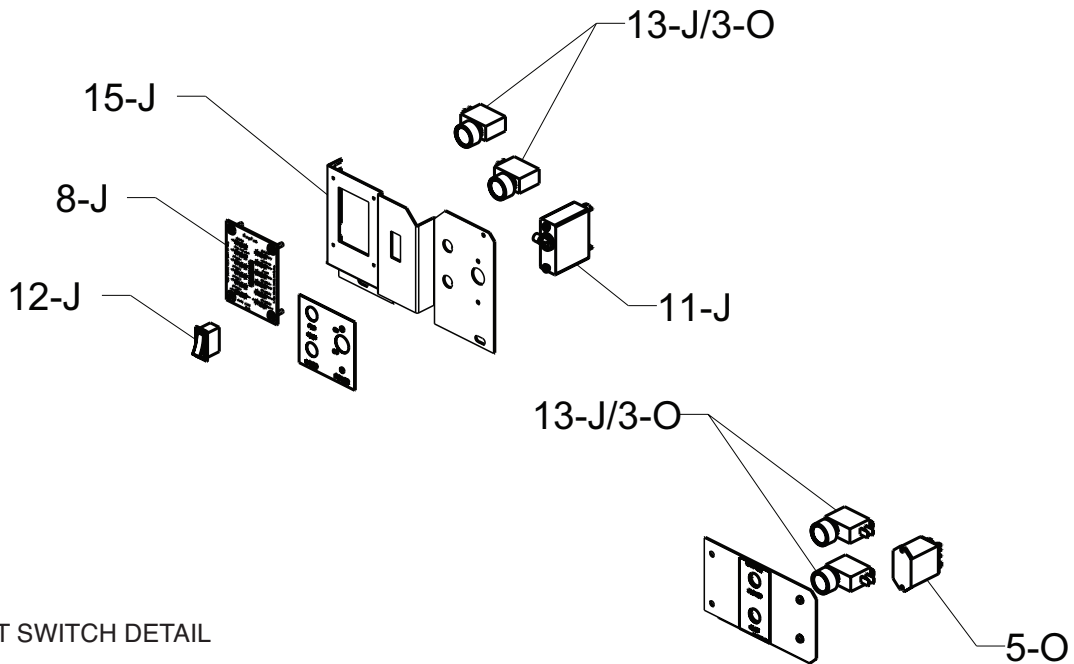
HEAT EXCHANGER DETAIL



BURNER ASSEMBLY DETAIL



CONTROL BOX DETAIL



FRONT SWITCH DETAIL

CALL OUT	DESCRIPTION	302B	402B	502B	652B	752B	902B
B	BURNER ASSEMBLY						
1-B	Burner Assy w/Burners	009717F	009718F	009719F	009720F	009721F	009722F
2-B	Burner Mounting Assy	009723F	009724F	009725F	009726F	009727F	009728F
3-B	Burner	007442F	007442F	007442F	007442F	007442F	007442F
4-B	Seal Gasket	007443F	007443F	007443F	007443F	007443F	007443F
5-B	Manifold Upper	N/A	N/A	007444F	007444F	007444F	007445F
6-B	Manifold Lower	007446F	007447F	007448F	007449F	007450F	007451F
7-B	Manifold Lower Split	008920F	008917F	N/A	N/A	N/A	N/A
8-B	Burner Orifice * (All Elevations)						
	Natural Gas 1.9 mm	351414 / 6	351414 / 8	351414 / 10	351414 / 13	351414 / 15	351414 / 18
	Natural Gas #44 (Low Gas Press.)	351640 / 6	351640 / 8	351640 / 10	351640 / 13	351640 / 15	351640 / 18
	Propane Gas #57	351442 / 6	351442 / 8	351442 / 10	351442 / 13	351442 / 15	351442 / 18
C	CONTROLS						
1-C	Manual Reset Adjustable High Limit 240°F Max	007144F	007144F	007144F	007144F	007144F	007144F
	Manual Reset Adjustable High Limit 200°F Max	008081F	008081F	008081F	008081F	008081F	008081F
	Manual Reset Adjustable High Limit 180°F Max	009554F	009554F	009554F	009554F	009554F	009554F
2-C	Auto Reset Adjustable High Limit 240°F Max	007141F	007141F	007141F	007141F	007141F	007141F
	Auto Reset Adjustable High Limit 180°F Max	006445F	006445F	006445F	006445F	006445F	006445F
	Auto Reset Adjustable High Limit 200°F Max	012546F	012546F	012546F	012546F	012546F	012546F
5-C	Remote Aquastat (Tankstat) (B-2)	007148F	007148F	007148F	007148F	007148F	007148F
	Remote Aquastat (Tankstat) 2-Stage (B-3)	007392F	007392F	007392F	007392F	007392F	007392F
	Remote Aquastat (Tankstat) 2-Stage (B-9)	007392F	007392F	007392F	007392F	007392F	007392F
6-C	Controller 2-Stage (B-4) Outdoor Reset	007393F	007393F	007393F	007393F	007393F	007393F
	Controller 2-Stage (B-6)	007392F	007392F	007392F	007392F	007392F	007392F
	Controller On/Off (B-20)	006445F	006445F	006445F	006445F	006445F	006445F
7-C	Controller On/Off (B-28) Digital Tekmar	009729F	009729F	009729F	009729F	009729F	009729F
	Controller 2-Stage (B-26 / 27) Digital Raypak	009861F	009861F	009861F	009861F	009861F	009861F
	Controller 4-Stage (B-21 / 23) Digital Raypak	009862F	009862F	009862F	009862F	009862F	009862F
15-C	Sensor Outdoor Air	010786F	010786F	010786F	010786F	010786F	010786F
22-C	Sensor Water (Not Shown)	010787F	010787F	010787F	010787F	010787F	010787F
8-C	Controller RayTemp/4-Stage (B-25)	010252F	010252F	010252F	010252F	010252F	010252F
	Controller RayTemp/2-Stage (B-24)	012368F	012368F	012368F	012368F	012368F	012368F
9-C	Sensor Recovery RayTemp	009506F	009506F	009506F	009506F	009506F	009506F
17-C	Sensor Tank RayTemp	010788F	010788F	010788F	010788F	010788F	010788F
10-C	Temp Controller Pool (not shown)	003346F	003346F	003346F	003346F	003346F	003346F
11-C	Flow Switch	007142F	007142F	007142F	007142F	007142F	007142F
12-C	Economaster P. C. Board ADJ 3 to 10 MIN	004675F	004675F	004675F	004675F	004675F	004675F
18-C	Pump Delay 5 or 10 MIN	012551F	012551F	012551F	012551F	012551F	012551F
13-C	Switch Air Pressure (Vent)	007158F	007158F	007158F	007158F	007158F	007158F
14-C	Switch Air Pressure Differential (Blower)	008171F	008171F	008171F	008171F	008171F	008171F
16-C	Relay 24 VAC (Auto Reset Hi Limit 100-240F)	009039F	009039F	009039F	009039F	009039F	009039F
19-C	Diagnostic Display	012662F	012662F	012662F	012662F	012662F	012662F
F	FAN						
1-F	Blower Combustion Air	007413F	007413F	007414F	007414F	007414F	007414F
2-F	Air Shutter	009618F	009618F	009618F	009618F	009618F	009618F
3-F	Intake Flange (TruSeal)	009697F	009697F	011746F	009697F	009697F	009697F
4-F	Hose Duct 4"	N/A	N/A	007417F	N/A	N/A	N/A
	Hose Duct 6"	007420F	007420F	007420F	007420F	007420F	007420F
5-F	Filter Media 8 x 8	009730F	009730F	009730F	009730F	009730F	009730F
G	GAS VALVES						
1-G	Main Valve Gas Manual A 1-1/4" (IRI)	N/A	N/A	007190F	007190F	007190F	007190F
2-G	Valve Gas Manual A 3/4"	007421F	007421F	007421F	007421F	007421F	007421F
3-G	Bleedle Valve 1/4"	007422F	007422F	007422F	007422F	007422F	007422F
	Bleedle Valve 1/8"	007423F	007423F	007423F	007423F	007423F	007423F
4-G	Combination Gas Valve On/Off Nat 3/4"	007424F	007424F	007424F	007424F	007424F	007424F
	Combination Gas Valve On/Off Pro 3/4"	007425F	007425F	007425F	007425F	007425F	007425F
	Combination Gas Valve On/Off Nat 3/4" (Low Gas Press)	N/A	007666F	N/A	007666F	007666F	N/A
5-G	Switch Low Gas Pressure w/o Bracket (optional)	007187F	007187F	007187F	007187F	007187F	007187F
6-G	Switch High Gas Pressure w/o Bracket (optional)	007188F	007188F	007188F	007188F	007188F	007188F
7-G	Solenoid Gas Valve	008407F	008407F	N/A	N/A	N/A	N/A
8-G	Vent Valve (IRI)	N/A	N/A	011913F	011913F	011913F	011913F
9-G	Valve Gas Manual B (IRI)	N/A	N/A	007195F	007195F	007195F	007195F
10-G	Valve On/Off (IRI)	N/A	N/A	004094F	004094F	004094F	004094F

* DO NOT re-orifice for elevations above 4500ft. Consult the factory for changes required for proper combustion at elevations above 4500ft.

CALL OUT	DESCRIPTION	302B	402B	502B	652B	752B	902B
O	OPTIONS						
1-O	Remote Sensor for Low Water Cut-Off	007228F	007228F	007228F	007228F	007228F	007228F
2-O	Low Water Cut Off PC Board	007157F	007157F	007157F	007157F	007157F	007157F
3-O	Momentary Switch	005641F	005641F	005641F	005641F	005641F	005641F
4-O	Alarm Bell 3"	005642F	005642F	005642F	005642F	005642F	005642F
	Alarm Bell 4"	005643F	005643F	005643F	005643F	005643F	005643F
5-O	Relay DPDT 24V	011720F	011720F	011720F	011720F	011720F	011720F
P	PUMPS *						
1-P	Inline Pumps (H & WH)						
	Bronze (Soft Water)	016477F	016477F	016477F	016477F	016477F	007226F
	Bronze (Medium Water)	007226F	007226F	007226F	007226F	007347F	007347F
	Bronze (Hard Water)	007347F	007347F	007347F	007347F	007349F	007349F
	Cl (Soft Water)	016478F	016478F	016478F	016478F	016478F	007232F
	Cl (Medium Water)	007232F	007232F	007232F	007232F	007353F	007353F
	Cl (Hard Water)	007353F	007353F	007353F	007353F	007355F	007355F
	Integral Return Header Mounted Pump (H & WH)						
	4.0 Impeller	N/A	N/A	009296F	009296F	N/A	009296F
	4.25 Impeller	N/A	N/A	N/A	N/A	004844F	N/A
	4.7 Impeller	004845F	004845F	004845F	004845F	N/A	004845F
	Pumps for (P) Pool Heaters	016479F	016479F	004845F	004845F	004845F	004845F
2-P	Pump Cartridge Taco 0012	016480F	016480F	016480F	016480F	016480F	N/A
3-P	Pump Gasket Taco 0012	008749F	008749F	008749F	008749F	008749F	N/A
4-P	Pump Flange Gasket Taco 1600 Series (Not Shown)	008749F	008749F	008749F	008749F	013423F	013423F
R	REFRACTORY						
1-R	Refractory Kit (All Panels)	007401F	007402F	007403F	007404F	007405F	007406F
2-R	Refractory Front Panels	007407F	007408F	007409F	007410F	007411F	007412F
3-R	Refractory Blanket	009863F	009864F	009865F	009866F	009867F	009868F
S	SHEETMETAL						
1-S	Jacket Top	009740F	009741F	009742F	009743F	009744F	009745F
2-S	Upfront Control Panel	009746F	009746F	009746F	009746F	009746F	009746F
	Upfront Control Panel w/ Window	009747F	009747F	009747F	009747F	009747F	009747F
	Upfront Control Panel w/LCD	012758F	012758F	012758F	012758F	012758F	012758F
	Upfront Control Panel w/LCD & Window	012759F	012759F	012759F	012759F	012759F	012759F
3-S	Upper Control Access Jacket Panel	009748F	009749F	009750F	009751F	009752F	009753F
4-S	Lower Front Jacket Panel	009754F	009755F	009756F	009757F	009758F	009759F
5-S	Access Panel Igniter/Sensor	N/A	N/A	N/A	N/A	N/A	N/A
6-S	Lower Rear Jacket Panel	009760F	009761F	009762F	009763F	009764F	009765F
7-S	Upper Left Side Jacket Panel	009816F	009816F	009766F	009766F	009766F	009766F
8-S	Upper Right Side Jacket Panel	009817F	009817F	009767F	009767F	009767F	009767F
9-S	Air Intake Cover Panel	009768F	009768F	009768F	009768F	009768F	009768F
10-S	Rear Flue Exhaust Cover Panel	009769F	009770F	009770F	009771F	009771F	009771F
11-S	Flue Exhaust Cover Panel	009772F	009773F	009773F	009774F	009774F	009774F
12-S	Lower Corner Supports Front and Rear	009775F	009775F	009775F	009775F	009775F	009775F
13-S	Center Support Panel	010245F	010246F	010247F	010248F	010249F	010250F
14-S	Left & Right Heat Exchanger Support	010251F	010251F	010251F	010251F	010251F	010251F
15-S	Air Intake Adapter Panel TruSeal	009776F	009776F	009776F	009776F	009776F	009776F
16-S	Support Horizontal	009777F	009778F	009779F	009780F	009781F	009782F
17-S	Support Assy Controls and Flue Exhaust	009886F	009886F	009783F	009783F	009783F	009783F
18-S	Flue Collector Top	009784F	009785F	009786F	009787F	009788F	009789F
19-S	Access Panel	009790F	009790F	009790F	009790F	009790F	009790F
20-S	Access Panel w/Pump	009791F	009791F	009791F	009791F	009791F	009791F
21-S	Cover for Return Header Mounted Pump	002671F	002671F	002671F	002671F	002671F	002671F
22-S	Control Box Sheetmetal	009792F	009792F	009792F	009792F	009792F	009792F
23-S	Controller Mounting Panel	009698F	009698F	009698F	009698F	009698F	009698F
24-S	Filter Mounting Panel	009793F	009793F	009793F	009793F	009793F	009793F
25-S	Intake Air Vent Hood	010746F	010746F	010746F	010746F	010746F	010746F
26-S	Blower Plenum	009887F	009887F	N/A	N/A	N/A	N/A
27-S	Flue Exhaust Gasket Retainer	010029F	010030F	010030F	010031F	010031F	010031F
28-S	Combustion Chamber Rear Panel	010766F	010767F	010768F	010769F	010770F	010771F
29-S	Base Assy	010754F	010755F	010756F	010757F	010758F	010759F
30-S	Rear Center Cover Panel	011858F	011858F	011858F	011858F	011858F	011858F
31-S	LCD/Keypad Panel	012757F	012757F	012757F	012757F	012757F	012757F
V	VENTING						
1-V	Outdoor Stack	015446F	014622F	014622F	014623F	014623F	014623F
2-V	Flue Exhaust Tee	009795F	009796F	009796F	009797F	009797F	009797F
3-V	Flue Exhaust Tee Cap	009798F	009799F	009799F	009800F	009800F	009800F
4-V	Flue Exhaust Adapter	009801F	009802F	009802F	009803F	009803F	009803F
5-V	Flue Exhaust Straight Pipe	011851F	011852F	011852F	011853F	011853F	011853F

* For individual pump parts see separate pump parts IPL 9300.100



Registered Quality Management System

www.raypak.com