

# Randall RG80-112SC

By: Harold Iwen



# Front Panel

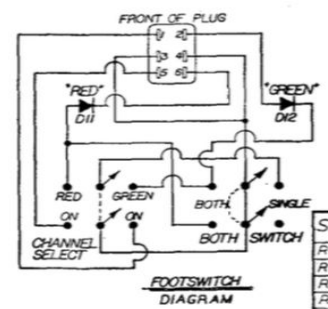
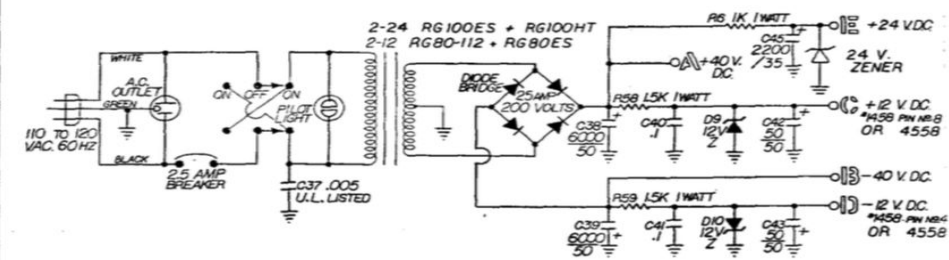
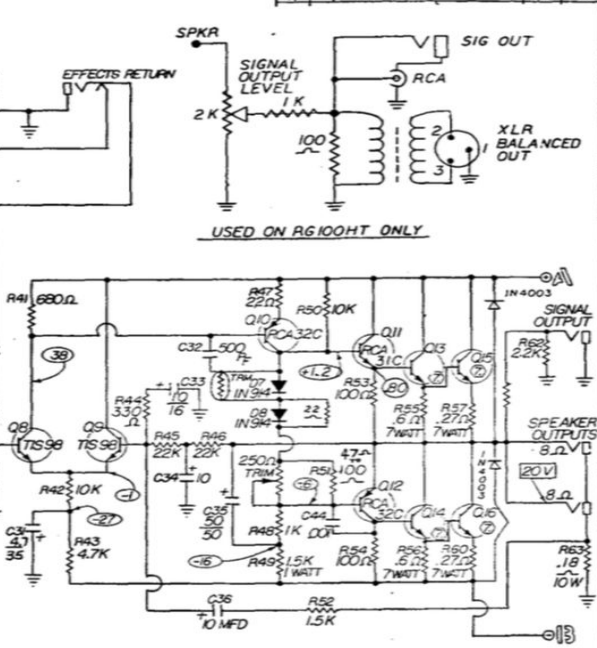
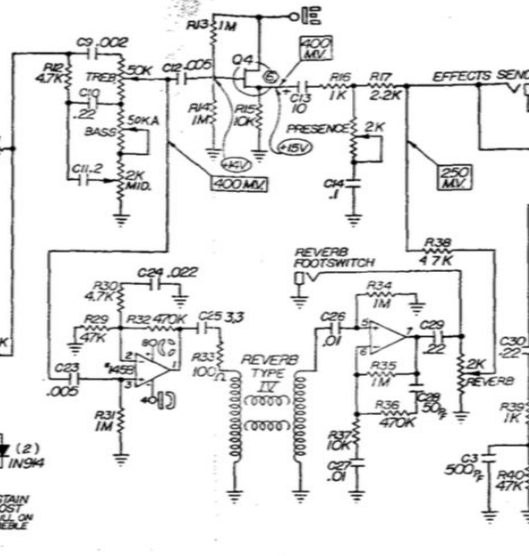
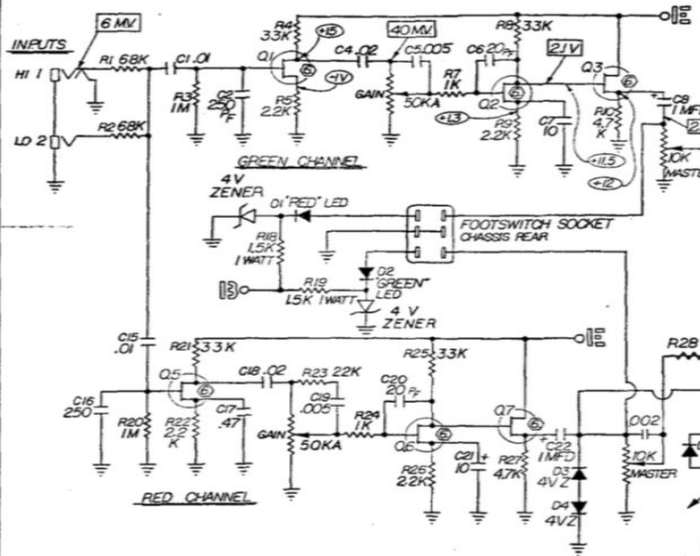


# Back Panel





BYR.	REVISIONS	AUTH.	DATE
A	UP DATE	SD	9-85



- NOTES - UNLESS OTHERWISE SPECIFIED:
1. ALL CAPACITORS ARE RATED IN MFD AT 100 VOLTS.
  2. ALL RESISTORS ARE 1/2 WATT UNLESS NOTED.
  3. IC 4558
  4. (V) THIS SYMBOL INDICATES A D.C. VOLTAGE FROM THAT POINT TO CHASSIS GROUND. ALL VOLTAGES ± 10%.
  5. (S) THIS SYMBOL INDICATES SIGNAL AT 1 KC.
  6. TRANSISTORS Q1 THRU Q7 : 2N5818 FET OR 2N5484
  7. TRANSISTORS Q13 THRU Q15 : 2N6254
  8. (TIP 32C + TIP 31C)
 

TOP	0	BOTTOM	6
2	1	5	4
3	4	2	3

SCHEMATIC	
FRANCHISE #	RG 80-112 SC
MODEL #	RG 80PH
DECK #	RG 80ES
BOX #	RG 100ES
BOX #	RG 100HT

TOLERANCES:		SCALE OF DRAWING:		TITLE:	
RESISTORS	± 5%	NONE		SCHEMATIC DRAWING	
CAPACITORS	± 5%	NONE		PART NO.	
				PCB 21 46B	
				ASBY NO.	
				MODEL # LEFT	

1430 DUNBAR  
BIRMINGHAM, CALIFORNIA  
90714