

Randall RG80-112SC

By: Harold Iwen



Front Panel



Back Panel





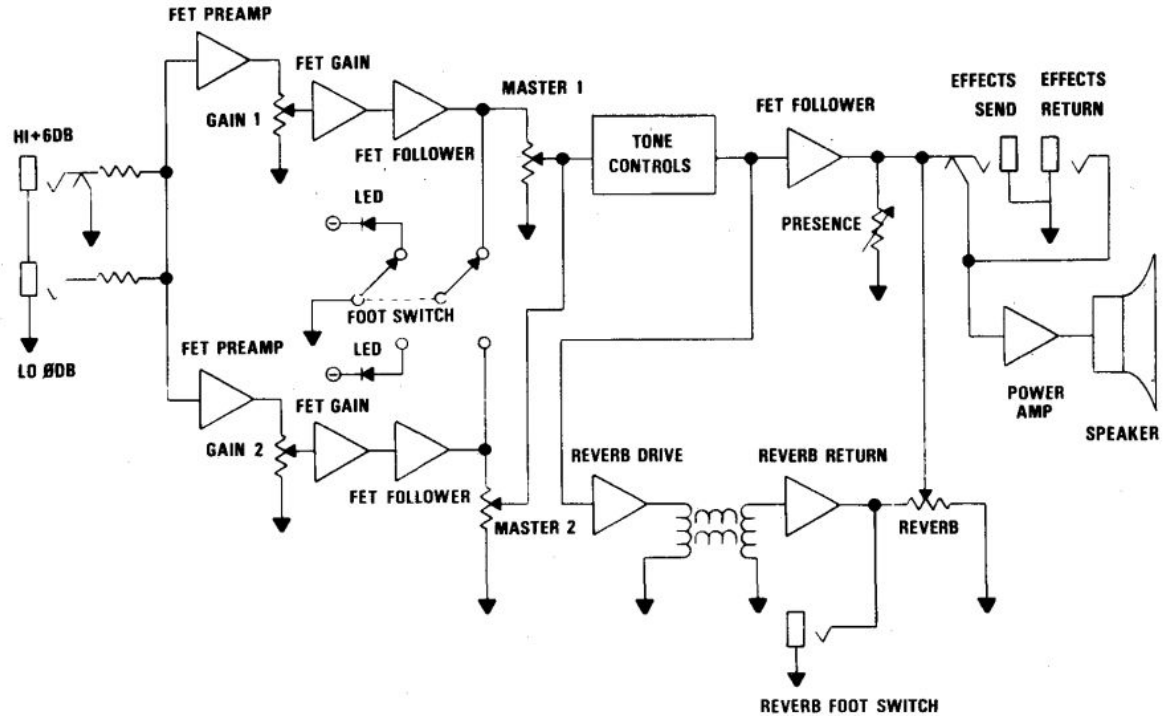
Specs

RG 100 ES, RG 80 ES BLOCK DIAGRAM

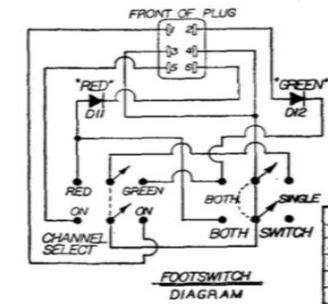
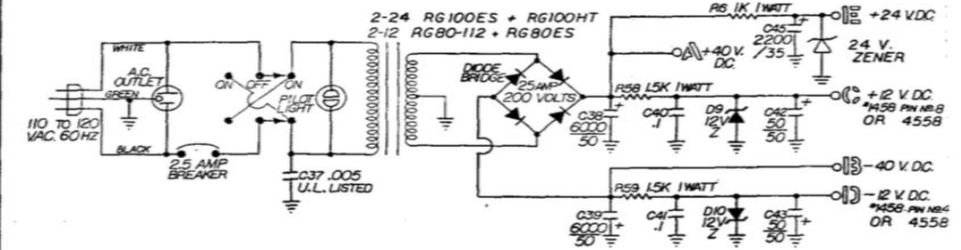
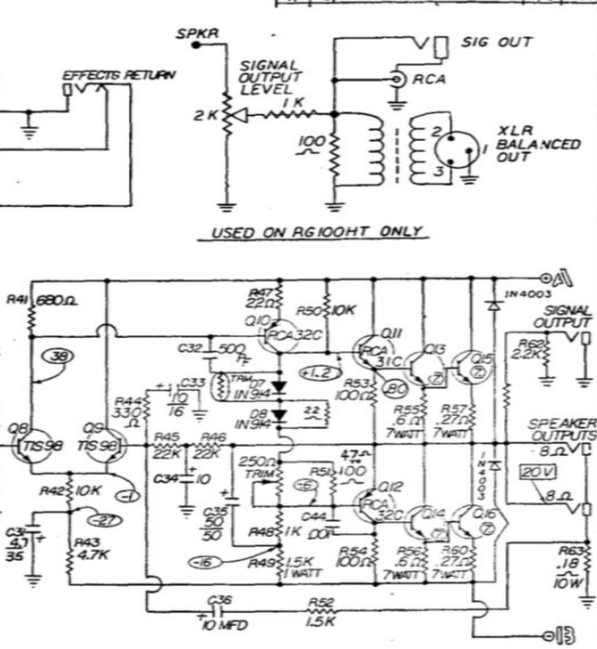
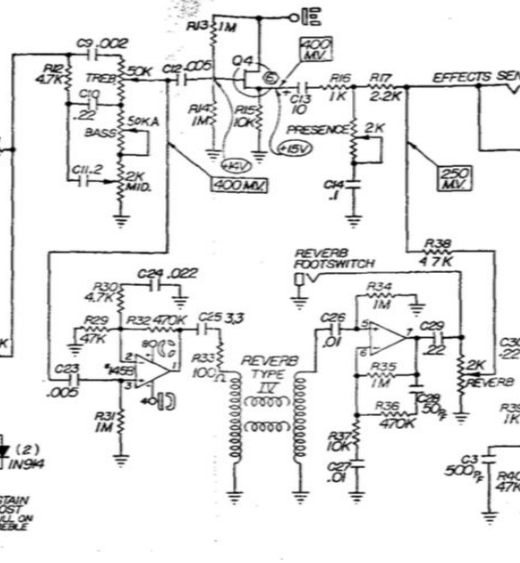
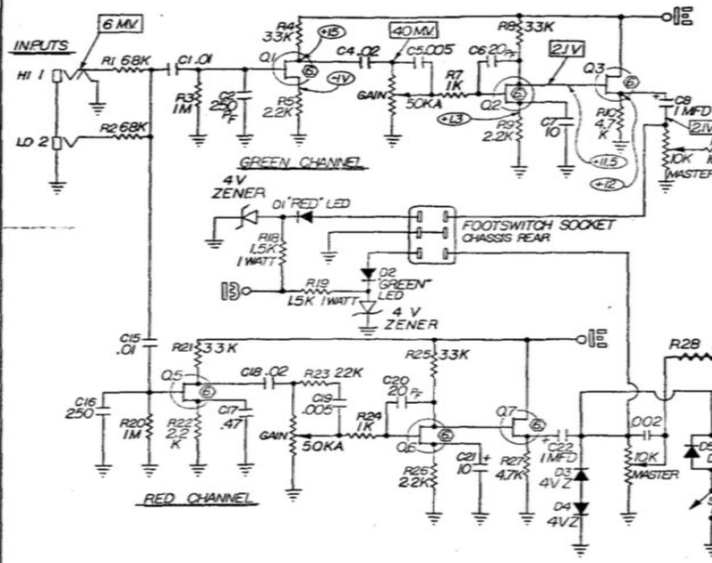
SPECIFICATIONS

POWER OUTPUT RG 100 ES	120 watts RMS @ 4 ohms @ 2% THD 80 watts RMS @ 8 ohms @ 2% THD
POWER OUTPUT RG 80 ES	100 watts RMS @ 4 ohms @ 2% THD 80 watts RMS @ 8 ohms @ 2% THD
NUMBER OF CHANNELS	Two, each channel is driven from common input jacks.
MINIMUM INPUT SIGNAL FOR RATED OUTPUT	.5 mV @ 3K Hz #2 channel 6.5 mV @ 3K Hz #1 channel
TONE CONTROLS	All tone controls set at 5 Bass Swing @ 50 Hz, 15 dB Mid Swing @ 600 Hz, 10 dB Treb Swing @ K Hz, 16 dB Presence Swing @ 10K Hz 15 dB Presence Swing @ 15K Hz 18 dB
NOISE	All tone controls @ 10 Volume @ 0 Master @ 10, -75 dB
EFFECTS LOOP	Send 200 mV max. return 50K ohms
SIGNAL OUTPUT	0 dB @ 600 ohms
INPUT IMPEDENCE	1 MEG, Hi + 6 dB. 130K ohm Lo 0 dB.
AC OUTLET	200 watts unswitched.
POWER AMPLIFIER DAMPING FACTOR	2-4 @ 8 ohms
AC LINE VOLTAGE FOR RATED OUTPUT	120 VAC
WEIGHT	51 Lb.
SIZE RG 100 ES	11" H, 29¼ W, 9¾ D
SIZE RG 80 ES	9" H, 24 W, 9¾ D

Simplified Schematic



BYR.	REVISIONS	AUTH.	DATE
A	UP DATE	SP	9-85



- NOTES - UNLESS OTHERWISE SPECIFIED:
1. ALL CAPACITORS ARE RATED IN MFD AT 100 VOLTS.
 2. ALL RESISTORS ARE 1/2 WATT UNLESS NOTED.
 3. 1G, 4558
 4. \ominus THIS SYMBOL INDICATES A D.C. VOLTAGE FROM THAT POINT TO CHASSIS GROUND. ALL VOLTAGES $\pm 10\%$.
 5. ∇ THIS SYMBOL INDICATES SIGNAL AT 1 KC.
 6. TRANSISTORS Q1 THRU Q7: T1S-58 FET OR 2N5484
 7. TRANSISTORS Q13 THRU Q15: 2N6254
 8. (TIP 32C + TIP 31C)

TOP	0	BOTTOM	6
2	1	5	4
3	4	2	3

SCHEMATIC

RG80-112 SC
RG80PH
RG80ES
RG100ES
RG100HT

Randall INSTRUMENTS INC.

TOLERANCES:	SCALE OF DRAWING:	TITLE:
FRACTIONS: \pm	NONE	SCHEMATIC DRAWING
ANGLES: \pm	INCHES: $\frac{1}{16}$ INCHES	PART NO.
DECIMALS: \pm	MILLIMETERS: ± 0.1	PCB 21 468
XXX \pm	XXX \pm	ARRY NO.
		MODEL # LEFT

