



A Safe Fleet Brand

R·O·M LIGHTING
DUROSTRIP LED LIGHTBAR
& DUROLUMEN LED LIGHT

PARTS
MANUAL

FM-8.5-365
Rev B
04-15-2024

Safe Fleet

6800 East 163rd Street
Belton, Missouri 64012

www.romcorp.com
rom.orders@safefleet.net

Toll: 800-827-3692

Phone: 816-318-8000
Fax: 816-318-8100

CONTENTS

DUROSTRIP V5 LED LIGHTBAR (New)

WHITE LED LIGHTBAR - R04786	1
-----------------------------------	---

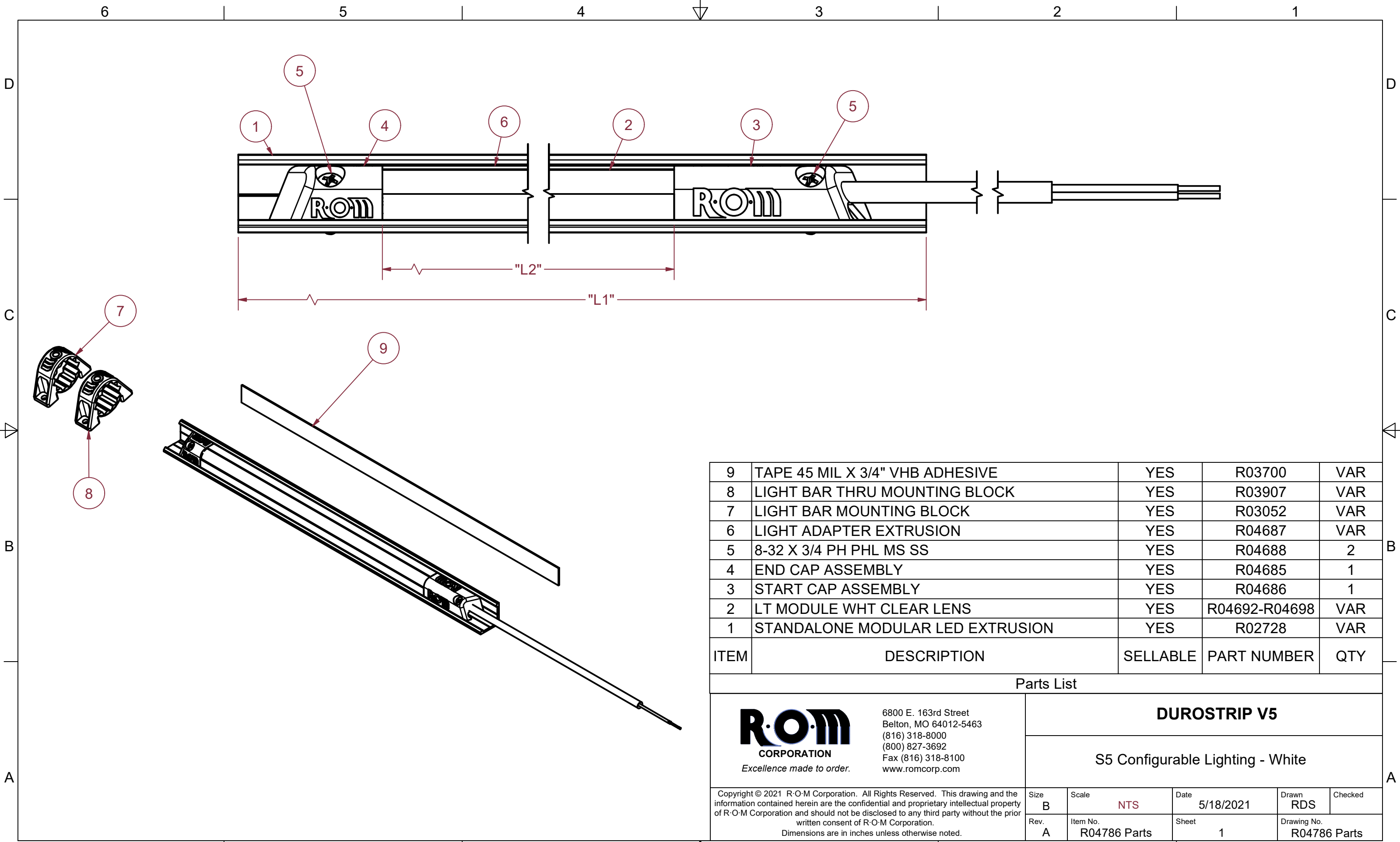
DUROSTRIP V4 LED LIGHTBAR

WHITE LED LIGHTBAR - R03000	2
RED-WHITE LED LIGHTBAR - R03915	3
BLUE-WHITE LED LIGHTBAR - R03916	4

DUROLUMEN LED LIGHT


DUROLUMEN V4 - LED - SURFACE MOUNT	5
DUROLUMEN V4 - LED - RECESSED MOUNT - EMERGENCY (hole mount)	6
DUROLUMEN V4 - LED - RECESSED MOUNT - UNIVERSAL (slotted mount)	7
DUROLUMEN V4 - LED - WHITE RECESSED MOUNT w/LENS COVER – EMERGENCY (hole mount)	8
DUROLUMEN V4 - LED - RED / WHITE	9

DUROSTRIP V5 - WHITE LED LIGHTBAR



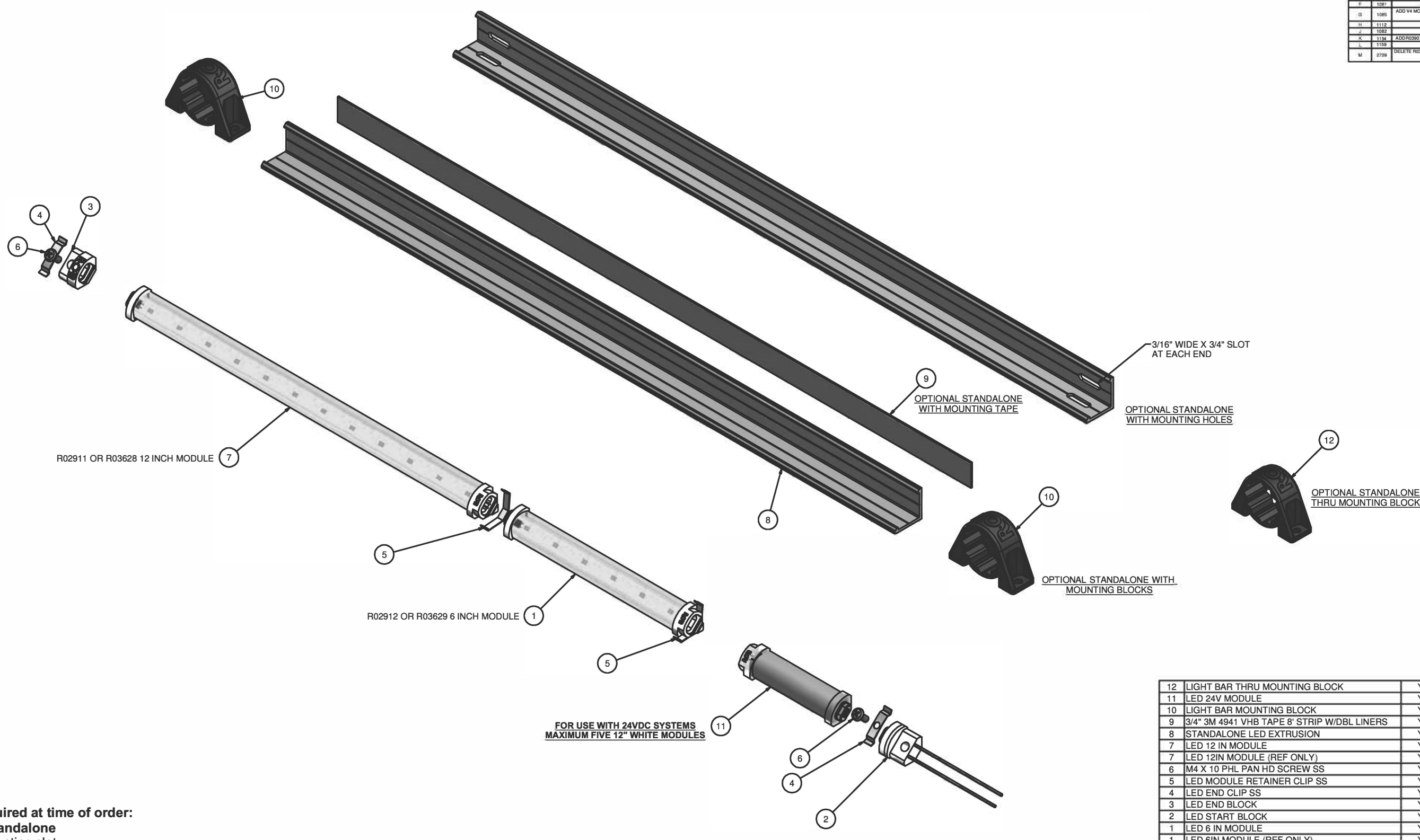
9	TAPE 45 MIL X 3/4" VHB ADHESIVE	YES	R03700	VAR
8	LIGHT BAR THRU MOUNTING BLOCK	YES	R03907	VAR
7	LIGHT BAR MOUNTING BLOCK	YES	R03052	VAR
6	LIGHT ADAPTER EXTRUSION	YES	R04687	VAR
5	8-32 X 3/4 PH PHL MS SS	YES	R04688	2
4	END CAP ASSEMBLY	YES	R04685	1
3	START CAP ASSEMBLY	YES	R04686	1
2	LT MODULE WHT CLEAR LENS	YES	R04692-R04698	VAR
1	STANDALONE MODULAR LED EXTRUSION	YES	R02728	VAR
ITEM	DESCRIPTION	SELLABLE	PART NUMBER	QTY

Parts List

 R·O·M CORPORATION <i>Excellence made to order.</i>	6800 E. 163rd Street Belton, MO 64012-5463 (816) 318-8000 (800) 827-3692 Fax (816) 318-8100 www.romcorp.com		DUROSTRIP V5			
	S5 Configurable Lighting - White					
Copyright © 2021 R·O·M Corporation. All Rights Reserved. This drawing and the information contained herein are the confidential and proprietary intellectual property of R·O·M Corporation and should not be disclosed to any third party without the prior written consent of R·O·M Corporation. Dimensions are in inches unless otherwise noted.		Size B	Scale NTS	Date 5/18/2021	Drawn RDS	Checked
		Rev. A	Item No. R04786 Parts	Sheet 1	Drawing No. R04786 Parts	

DUROSTRIP V4 - WHITE LED LIGHTBAR

LT#	ECN NO.	REVISION HISTORY DESCRIPTION	DATE	BY
A	981	RELEASE	2/10/18	RDS
B	987	ADD R03052	3/21/15	RDS
C	917	ADDED MOUNTING OPTIONS	5/12/15	RDS
D	988	R03255 WAS R02915, R03254 WAS R02917	3/25/15	RDS
E	1066	REPLACED TAPE WITH R03700, UPDATED MOUNTING HOLES, REMOVED STANDALONE MOUNTING LOCATION INFO REQUIREMENT	7/16/2012	PERI
F	1081	ADD MOUNTING TAPES CONVERSION	11/8/12	RDS
G	1085	ADD V4 MODULES (R03629 & R03629, R02911 & R02912 REF ONLY)	11/16/12	RDS
H	1112	UPDATED TRACK OPTIONS	03/28/13	BAM
J	1152	ADD RED/WHITE V4 (PAGE 2)	5/23/13	RDS
K	1154	ADD R03907, SHEET 2 NO WR02915, DELETE "V3" & "V4"	11/21/13	RDS
L	1159	ADD BLUE/WHITE (PAGE 3)	8/9/14	RDS
M	2729	DELETE R03629 R03629 & R03667, ADD R02913 & WIRING DIAGRAM PAGES (2 & 3)	2/10/18	RDS



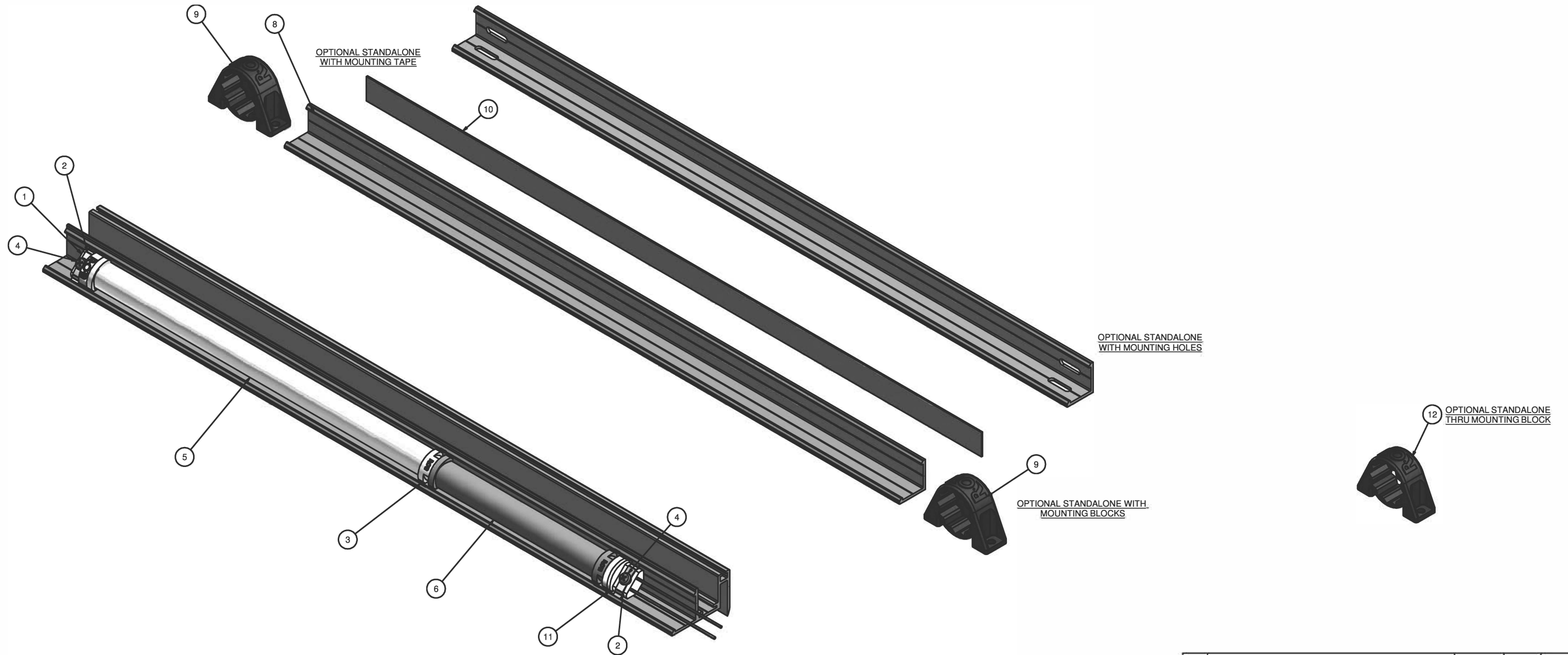
Information required at time of order:
Track profile: standalone
 -Prepunched mounting slot
 -Mounting tape
 -Mounting blocks
 -Finish: satin or painted with paint information
 -Wire lead: top or bottom
 -12VDC or 24VDC operation

**FOR USE WITH 24VDC SYSTEMS
 MAXIMUM FIVE 12" WHITE MODULES**

ITEM	DESCRIPTION	SELLABLE	PART NUMBE	QTY
12	LIGHT BAR THRU MOUNTING BLOCK	YES	R03907	VAR.
11	LED 24V MODULE	YES	R03698	VAR.
10	LIGHT BAR MOUNTING BLOCK	YES	R03052	VAR.
9	3/4" 3M 4941 VHB TAPE 8' STRIP W/DBL LINERS	YES	R03700	VAR.
8	STANDALONE LED EXTRUSION	YES	R02728	VAR.
7	LED 12 IN MODULE	YES	R03628	VAR.
7	LED 12IN MODULE (REF ONLY)	YES	R02911	VAR.
6	M4 X 10 PHL PAN HD SCREW SS	YES	R02916	VAR.
5	LED MODULE RETAINER CLIP SS	YES	R03256	VAR.
4	LED END CLIP SS	YES	R03255	VAR.
3	LED END BLOCK	YES	R02914	VAR.
2	LED START BLOCK	YES	R02913	VAR.
1	LED 6 IN MODULE	YES	R03629	VAR.
1	LED 6IN MODULE (REF ONLY)	YES	R02912	VAR.

<p>ROM CORPORATION Excellence made to order.</p>	6800 E. 163rd Street Belton, MO 64012-5463 (816) 318-8000 (800) 827-3652 Fax (816) 318-8100 www.romcorp.com	SHUTTER			
		V4 LED WHITE LIGHTBAR			
Copyright © 2012 R O M Corporation. All Rights Reserved. This drawing and the information contained herein are the confidential and proprietary intellectual property of R O M Corporation and should not be disclosed to any third party without the prior written consent of R O M Corporation. Dimensions are in inches unless otherwise noted.	Size D Scale NTS Date 3/25/2011 Drawn RDS Checked	Item No R03000 Sheet 1 OF 3 Drawing No R03000			

DUROSTRIP V4 - RED / WHITE LED LIGHTBAR



Information required at time of order:

Track profile: standalone

- Prepunched mounting slot
- Mounting tape
- Mounting blocks
- Finish: satin or painted with paint information
- Wire lead: top or bottom

NOTE:
RED/WHITE COMPARTMENT LIGHTING
IS AVAILABLE ONLY FOR 12 VDC NOMINAL (9-16 VDC)

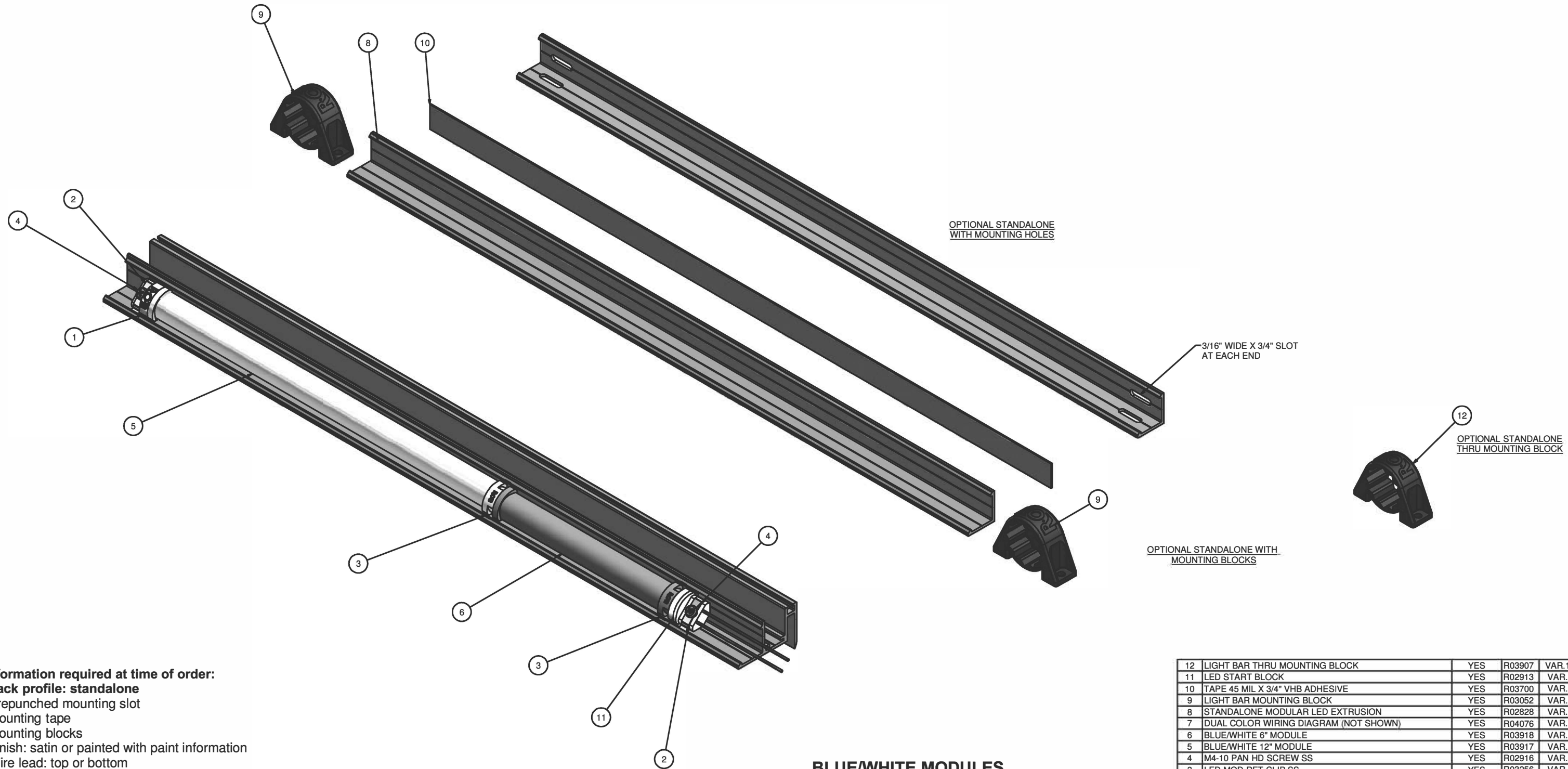
**RED/WHITE MODULES
ARE 12 VOLT DC OPERATION ONLY**

ITEM	DESCRIPTION	SELLABLE	PART	QTY
12	LIGHT BAR THRU MOUNTING BLOCK	YES	R03907	VAR.
11	LED START BLOCK	YES	R02913	VAR.
10	TAPE 45 MIL X 3/4" VHB ADHESIVE	YES	R03700	VAR.
9	LIGHT BAR MOUNTING BLOCK	YES	R03052	VAR.
8	STANDALONE MODULAR LED EXTRUSION	YES	R02828	VAR.
7	DUAL COLOR WIRING DIAGRAM (NOT SHOWN)	YES	R04076	VAR.
6	RED/WHITE 6" MODULE	YES	R03831	VAR.
5	RED/WHITE 12" MODULE	YES	R03830	VAR.
4	M4-10 PAN HEAD SCREW SS	YES	R02916	VAR.
3	LED MOD RET CLIP SS	YES	R03256	VAR.
2	LED END CLIP SS	YES	R03255	VAR.
1	LED END BLOCK	YES	R02914	VAR.

Parts List		Size	Scale	Date	Drawn	Checked
SHUTTER						
V4 LED RED/WHITE LIGHTBAR						
Rev	Item No.	Sheet	Item No.	Sheet	Item No.	Sheet
M	R03915	2 OF 3	R03915	2 OF 3	R03915	2 OF 3

Copyright © 2013 R.O.M. Corporation. All Rights Reserved. This drawing and the information contained herein are the confidential and proprietary intellectual property of R.O.M. Corporation and should not be disclosed to any third party without the prior written consent of R.O.M. Corporation. Dimensions are in inches unless otherwise noted.

DUROSTRIP V4 - BLUE / WHITE LED LIGHTBAR



Information required at time of order:
Track profile: standalone
 -Prepunched mounting slot
 -Mounting tape
 -Mounting blocks
 -Finish: satin or painted with paint information
 -Wire lead: top or bottom

**BLUE/WHITE MODULES
 ARE 12 VOLT DC OPERATION ONLY**

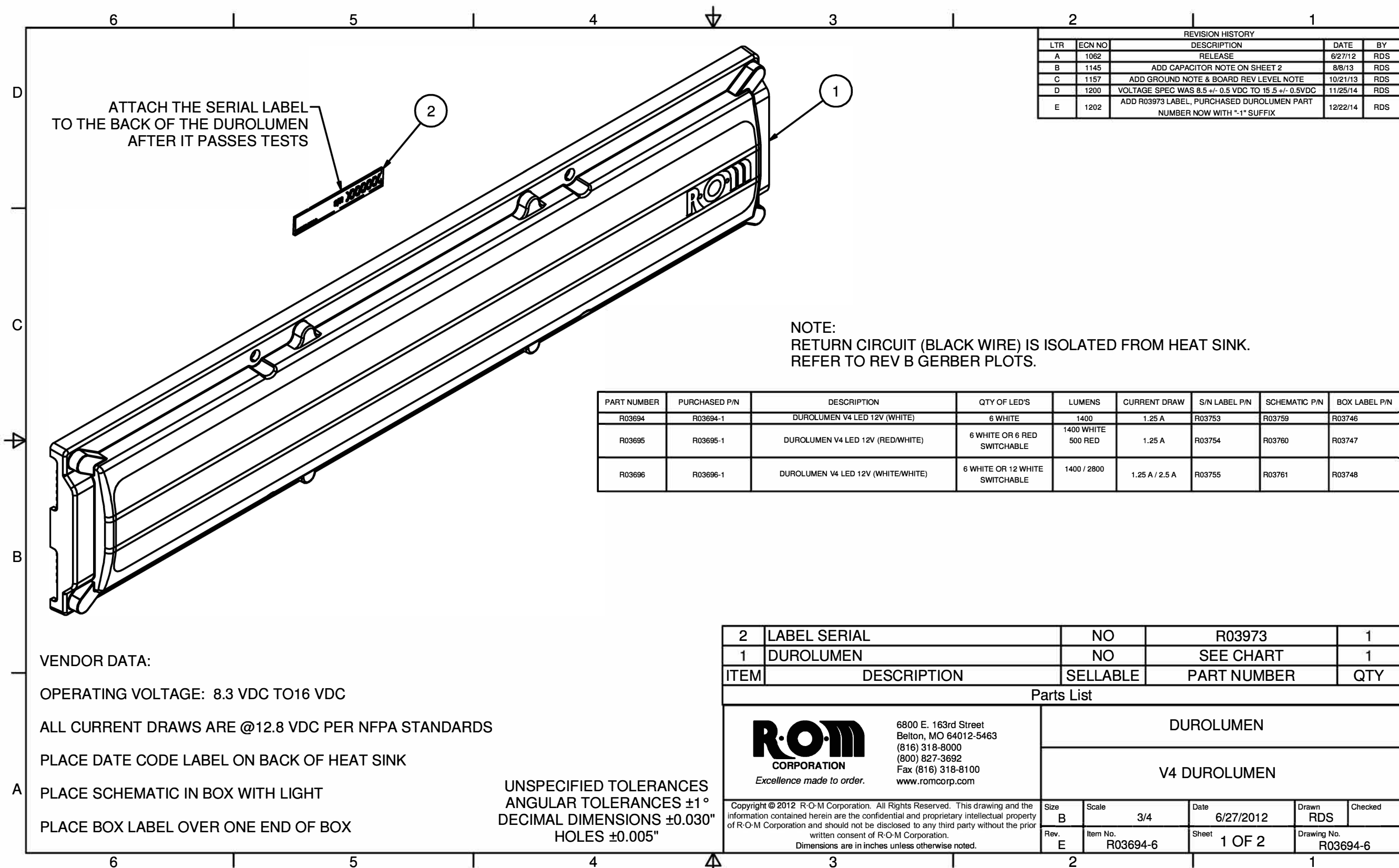
NOTE:
 BLUE/WHITE COMPARTMENT LIGHTING
 IS AVAILABLE ONLY FOR 12 VDC NOMINAL (9-16 VDC)

ITEM	DESCRIPTION	SELLABLE	PART	QTY
12	LIGHT BAR THRU MOUNTING BLOCK	YES	R03907	VAR.1
11	LED START BLOCK	YES	R02913	VAR.
10	TAPE 45 MIL X 3/4" VHB ADHESIVE	YES	R03700	VAR.
9	LIGHT BAR MOUNTING BLOCK	YES	R03052	VAR.
8	STANDALONE MODULAR LED EXTRUSION	YES	R02828	VAR.
7	DUAL COLOR WIRING DIAGRAM (NOT SHOWN)	YES	R04076	VAR.
6	BLUE/WHITE 6" MODULE	YES	R03918	VAR.
5	BLUE/WHITE 12" MODULE	YES	R03917	VAR.
4	M4-10 PAN HD SCREW SS	YES	R02916	VAR.
3	LED MOD RET CLIP SS	YES	R03256	VAR.
2	LED END CLIP SS	YES	R03255	VAR.
1	LED END BLOCK	YES	R02914	VAR.

Parts List		Size	Scale	Date	Drawn	Checked
SHUTTER		D	NTS	3/25/2011	RDS	
V4 LED BLUE/WHITE LIGHTBAR		M				
Rev	Item No	Sheet	Drawing No			
	R03916	3 OF 3	R03916			

Copyright © 2014 R.O.M. Corporation. All Rights Reserved. This drawing and the information contained herein are the confidential and proprietary intellectual property of R.O.M. Corporation and should not be disclosed to any third party without the prior written consent of R.O.M. Corporation. Dimensions are in inches unless otherwise noted.

DUROLUMEN V4 - LED INTERIOR LIGHTING - SURFACE MOUNT



REVISION HISTORY				
LTR	ECN NO	DESCRIPTION	DATE	BY
A	1062	RELEASE	6/27/12	RDS
B	1145	ADD CAPACITOR NOTE ON SHEET 2	8/8/13	RDS
C	1157	ADD GROUND NOTE & BOARD REV LEVEL NOTE	10/21/13	RDS
D	1200	VOLTAGE SPEC WAS 8.5 +/- 0.5 VDC TO 15.5 +/- 0.5VDC	11/25/14	RDS
E	1202	ADD R03973 LABEL, PURCHASED DUROLUMEN PART NUMBER NOW WITH "-1" SUFFIX	12/22/14	RDS


NOTE:
RETURN CIRCUIT (BLACK WIRE) IS ISOLATED FROM HEAT SINK.
REFER TO REV B GERBER PLOTS.

PART NUMBER	PURCHASED P/N	DESCRIPTION	QTY OF LED'S	LUMENS	CURRENT DRAW	S/N LABEL P/N	SCHEMATIC P/N	BOX LABEL P/N
R03694	R03694-1	DUROLUMEN V4 LED 12V (WHITE)	6 WHITE	1400	1.25 A	R03753	R03759	R03746
R03695	R03695-1	DUROLUMEN V4 LED 12V (RED/WHITE)	6 WHITE OR 6 RED SWITCHABLE	1400 WHITE 500 RED	1.25 A	R03754	R03760	R03747
R03696	R03696-1	DUROLUMEN V4 LED 12V (WHITE/WHITE)	6 WHITE OR 12 WHITE SWITCHABLE	1400 / 2800	1.25 A / 2.5 A	R03755	R03761	R03748

VENDOR DATA:

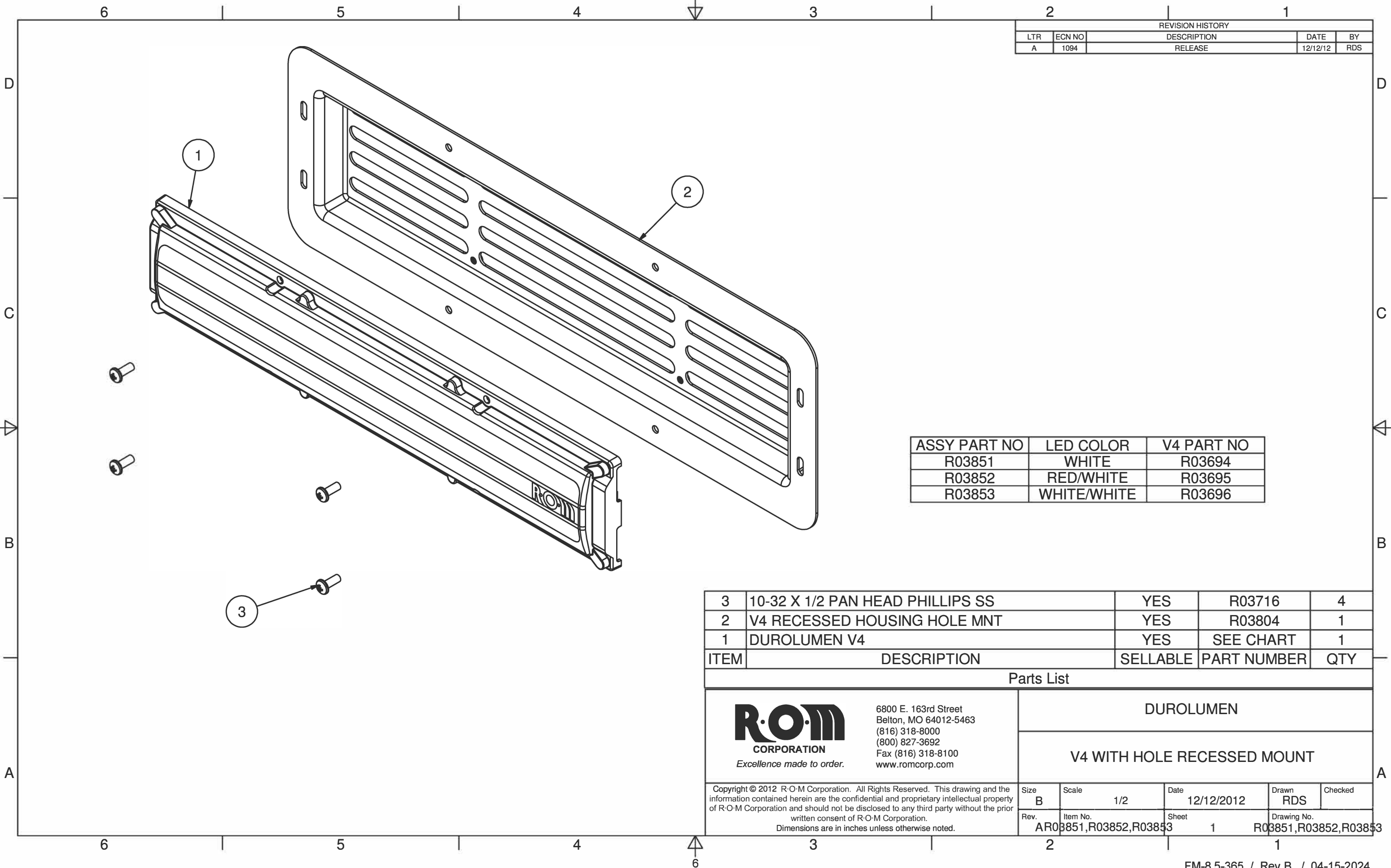
OPERATING VOLTAGE: 8.3 VDC TO 16 VDC
 ALL CURRENT DRAWS ARE @12.8 VDC PER NFPA STANDARDS
 PLACE DATE CODE LABEL ON BACK OF HEAT SINK
 PLACE SCHEMATIC IN BOX WITH LIGHT
 PLACE BOX LABEL OVER ONE END OF BOX

UNSPECIFIED TOLERANCES
 ANGULAR TOLERANCES $\pm 1^\circ$
 DECIMAL DIMENSIONS ± 0.030 "
 HOLES ± 0.005 "

2	LABEL SERIAL	NO	R03973	1
1	DUROLUMEN	NO	SEE CHART	1
ITEM	DESCRIPTION	SELLABLE	PART NUMBER	QTY
Parts List				
 6800 E. 163rd Street Belton, MO 64012-5463 (816) 318-8000 (800) 827-3692 Fax (816) 318-8100 www.romcorp.com Excellence made to order.		DUROLUMEN		
		V4 DUROLUMEN		
Size	B	Scale	3/4	Date
Rev.	E	Item No.	R03694-6	Sheet
		Date		6/27/2012
		Drawn		RDS
		Checked		
		Drawing No.		R03694-6
		Sheet		1 OF 2

DUROLUMEN V4 - LED INTERIOR LIGHTING - RECESSED MOUNT - EMERGENCY (Hole Mount)


REVISION HISTORY				
LTR	ECN NO	DESCRIPTION	DATE	BY
A	1094	RELEASE	12/12/12	RDS



ASSY PART NO	LED COLOR	V4 PART NO
R03851	WHITE	R03694
R03852	RED/WHITE	R03695
R03853	WHITE/WHITE	R03696

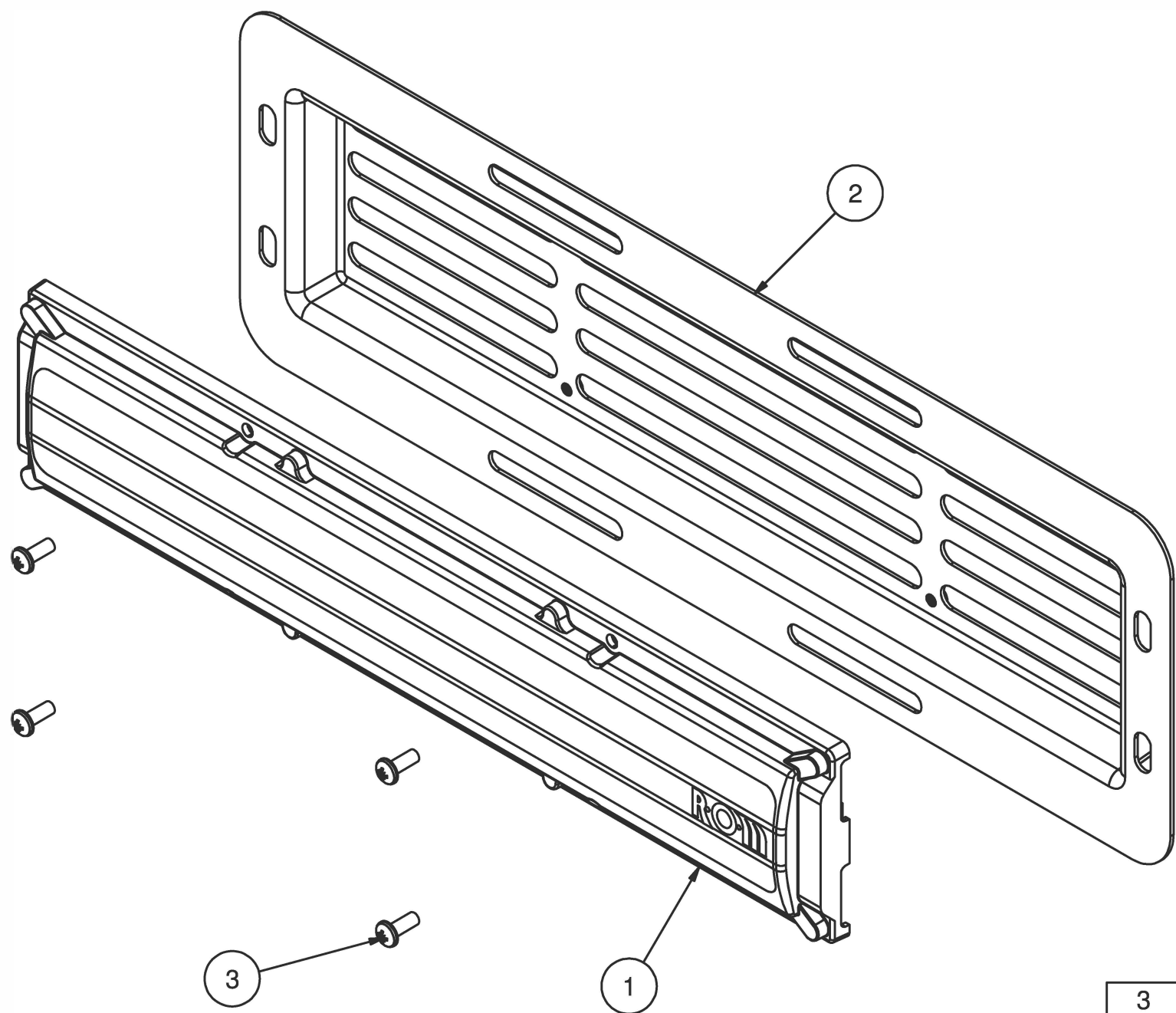
3	10-32 X 1/2 PAN HEAD PHILLIPS SS	YES	R03716	4
2	V4 RECESSED HOUSING HOLE MNT	YES	R03804	1
1	DUROLUMEN V4	YES	SEE CHART	1
ITEM	DESCRIPTION	SELLABLE	PART NUMBER	QTY

Parts List

 Excellence made to order.	6800 E. 163rd Street Belton, MO 64012-5463 (816) 318-8000 (800) 827-3692 Fax (816) 318-8100 www.romcorp.com			
	DUROLUMEN V4 WITH HOLE RECESSED MOUNT			
Copyright © 2012 R-O-M Corporation. All Rights Reserved. This drawing and the information contained herein are the confidential and proprietary intellectual property of R-O-M Corporation and should not be disclosed to any third party without the prior written consent of R-O-M Corporation. Dimensions are in inches unless otherwise noted.	Size B	Scale 1/2	Date 12/12/2012	Drawn RDS
Rev. AR03851,R03852,R03853	Item No.	Sheet 1	Drawing No. R03851,R03852,R03853	

DUROLUMEN V4 - LED INTERIOR LIGHTING - RECESSED MOUNT - UNIVERSAL (slotted mount)


REVISION HISTORY				
LTR	ECN NO	DESCRIPTION	DATE	BY
A	1094	RELEASE	12/12/12	RDS



ASSY PART NO	LED COLOR	V4 PART NO
R03848	WHITE	R03694
R03849	RED/WHITE	R03695
R03850	WHITE/WHITE	R03696

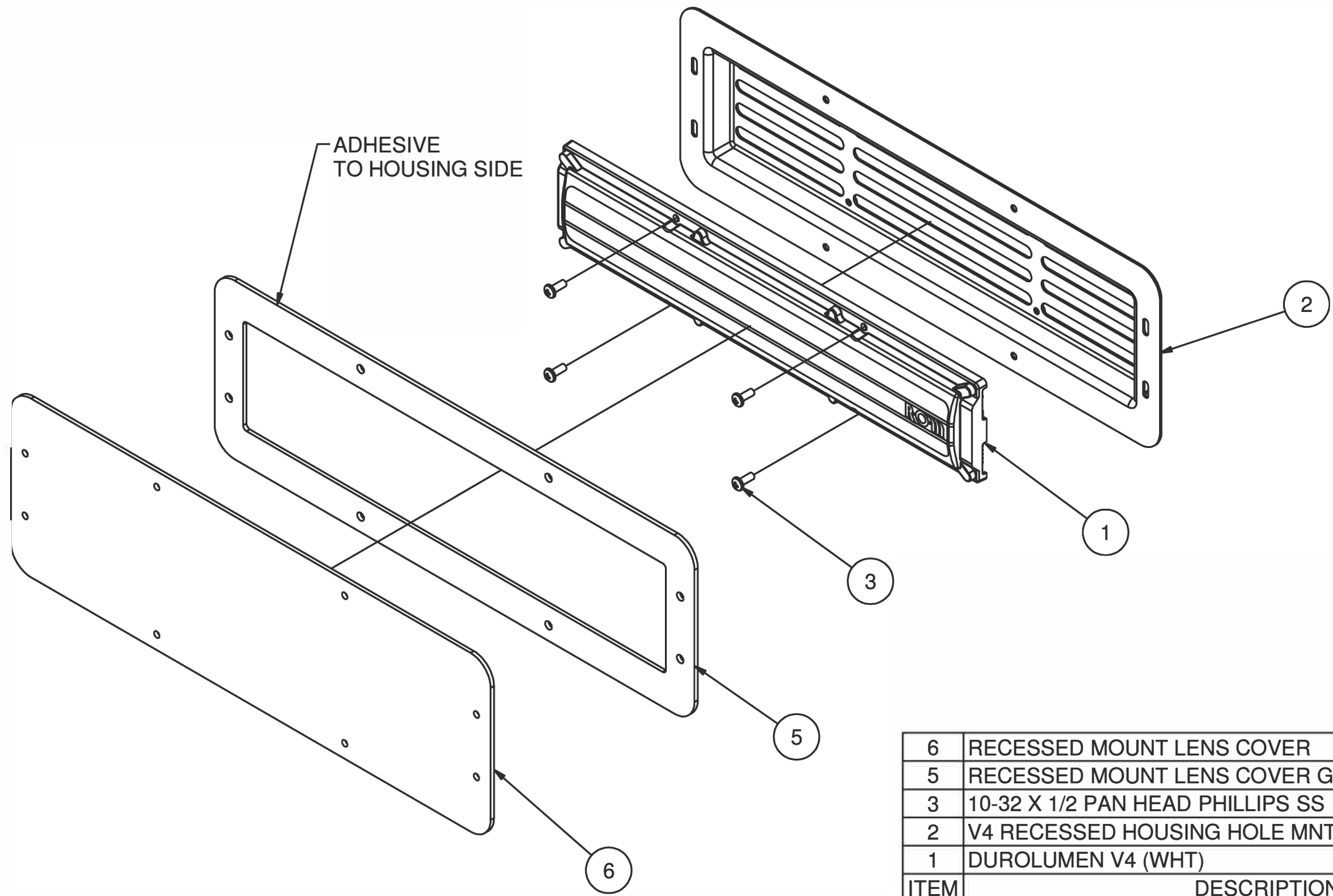
ITEM	DESCRIPTION	SELLABLE	PART NUMBER	QTY
3	10-32 X 1/2 PAN HEAD PHILLIPS SS	YES	R03716	4
2	V4 RECESSED HOUSING SLOT MNT	YES	R03697	1
1	DUROLUMEN V4	YES	SEE CHART	1

Parts List

 <p>R·O·M CORPORATION <i>Excellence made to order.</i></p>	6800 E. 163rd Street Belton, MO 64012-5463 (816) 318-8000 (800) 827-3692 Fax (816) 318-8100 www.romcorp.com		DUROLUMEN			
			V4 WITH SLOTTED RECESSED MOUNT			
Copyright © 2012 R-O-M Corporation. All Rights Reserved. This drawing and the information contained herein are the confidential and proprietary intellectual property of R-O-M Corporation and should not be disclosed to any third party without the prior written consent of R-O-M Corporation. Dimensions are in inches unless otherwise noted.		Size B	Scale 1/2	Date 12/12/2012	Drawn RDS	Checked
		Rev. AR03848,R03849,R03850	Item No. 	Sheet 1	Drawing No. R03848,R03849,R03850	

DUROLUMEN WHITE - RECESSED MOUNT w/LENS COVER - EMERGENCY (Hole Mount)

REVISION HISTORY				
LTR	ECN NO	DESCRIPTION	DATE	BY
A	1186	RELEASE	9/3/14	RDS



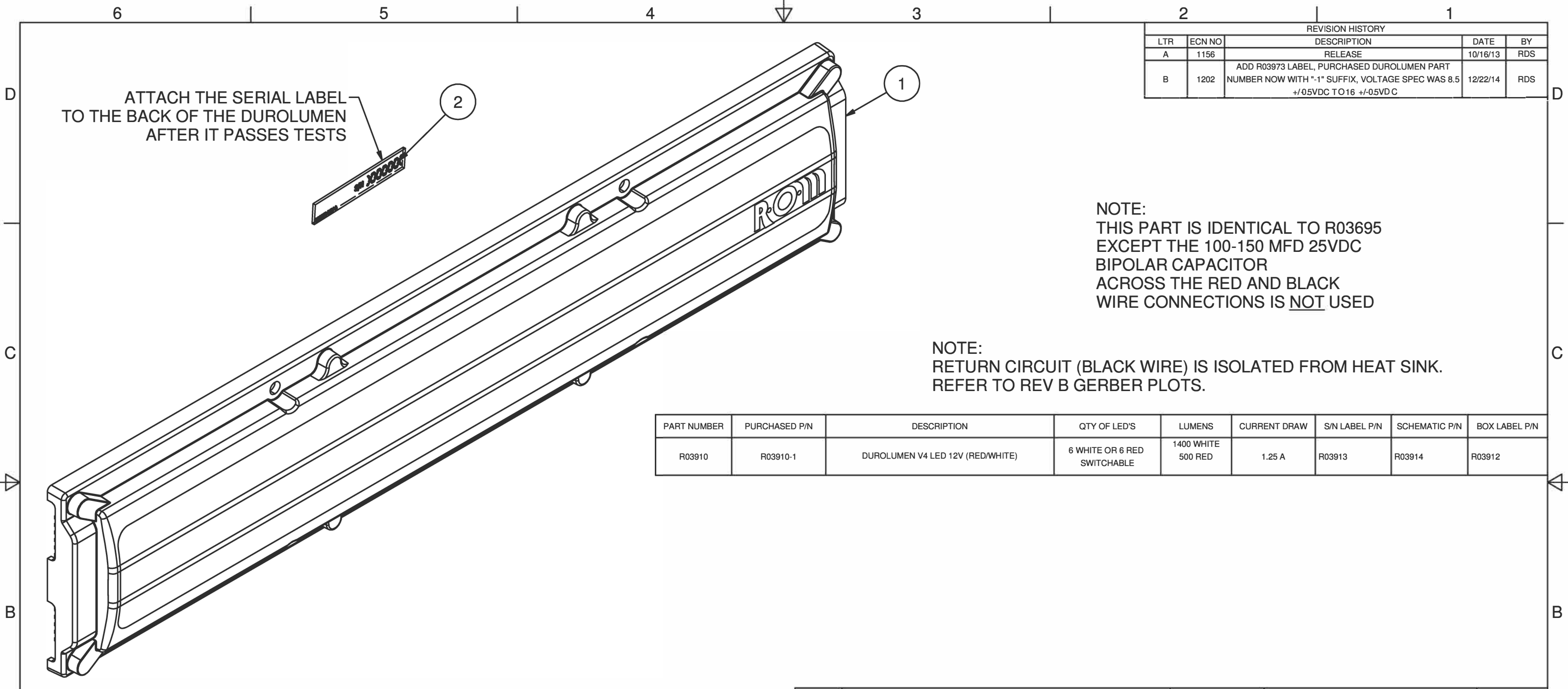
6	RECESSED MOUNT LENS COVER	YES	R03959	1
5	RECESSED MOUNT LENS COVER GASKET	YES	R03960	1
3	10-32 X 1/2 PAN HEAD PHILLIPS SS	YES	R03716	4
2	V4 RECESSED HOUSING HOLE MNT	YES	R03804	1
1	DUROLUMEN V4 (WHT)	YES	R03694	1
ITEM	DESCRIPTION	SELLABLE	PART	QTY

Parts List

<p style="font-size: small; margin-top: 5px;">6800 E. 163rd Street Belton, MO 64012-5463 (816) 318-8000 (800) 827-3692 Fax (816) 318-8100 www.romcorp.com</p> <p style="font-size: x-small; margin-top: 5px;"><i>Excellence made to order.</i></p>	V4 DUROLUMEN			
	WHT W/ RECESSED HOLE MNT & LENS COVER			
Copyright © 2014 R-O-M Corporation. All Rights Reserved. This drawing and the information contained herein are the confidential and proprietary intellectual property of R-O-M Corporation and should not be disclosed to any third party without the prior written consent of R-O-M Corporation. Dimensions are in inches unless otherwise noted.	Size B	Scale NTS	Date 9/3/2014	Drawn RDS
	Rev. A	Item No. R03958	Sheet 1	Drawing No. R03958

DUROLUMEN V4 - LED - RED / WHITE

REVISION HISTORY				
LTR	ECN NO	DESCRIPTION	DATE	BY
A	1156	RELEASE	10/16/13	RDS
B	1202	ADD R03973 LABEL, PURCHASED DUROLUMEN PART NUMBER NOW WITH "-1" SUFFIX, VOLTAGE SPEC WAS 8.5 +/-0.5VDC TO 16 +/-0.5VDC	12/22/14	RDS



ATTACH THE SERIAL LABEL TO THE BACK OF THE DUROLUMEN AFTER IT PASSES TESTS

NOTE:
THIS PART IS IDENTICAL TO R03695 EXCEPT THE 100-150 MFD 25VDC BIPOLAR CAPACITOR ACROSS THE RED AND BLACK WIRE CONNECTIONS IS NOT USED

NOTE:
RETURN CIRCUIT (BLACK WIRE) IS ISOLATED FROM HEAT SINK. REFER TO REV B GERBER PLOTS.

PART NUMBER	PURCHASED P/N	DESCRIPTION	QTY OF LED'S	LUMENS	CURRENT DRAW	S/N LABEL P/N	SCHEMATIC P/N	BOX LABEL P/N
R03910	R03910-1	DUROLUMEN V4 LED 12V (RED/WHITE)	6 WHITE OR 6 RED SWITCHABLE	1400 WHITE 500 RED	1.25 A	R03913	R03914	R03912


VENDOR DATA:

- OPERATING VOLTAGE: 8.3 VDC TO 16 VDC
- ALL CURRENT DRAWS ARE @12.8 VDC PER NFPA STANDARDS
- PLACE DATE CODE ON BACK OF HEAT SINK
- PLACE SCHEMATIC IN BOX WITH LIGHT
- PLACE BOX LABEL OVER ONE END OF BOX

UNSPECIFIED TOLERANCES
ANGULAR TOLERANCES $\pm 1^\circ$
DECIMAL DIMENSIONS ± 0.030 "
HOLES ± 0.005 "

2	LABEL SERIAL	NO	R03973	1
1	DUROLUMEN RED/WHITE (NO CAP)	NO	R03910-1	1
ITEM	DESCRIPTION	SELLABLE	PART NUMBER	QTY

Parts List

 <p>6800 E. 163rd Street Belton, MO 64012-5463 (816) 318-8000 (800) 827-3692 Fax (816) 318-8100 www.romcorp.com</p>	DUROLUMEN V4			
	DUROLUMEN RED/WHITE (NO CAP)			
Copyright © 2013 R-O-M Corporation. All Rights Reserved. This drawing and the information contained herein are the confidential and proprietary intellectual property of R-O-M Corporation and should not be disclosed to any third party without the prior written consent of R-O-M Corporation. Dimensions are in inches unless otherwise noted.	Size B	Scale 3/4	Date 10/16/2013	Drawn RDS
	Rev. B	Item No. R03910	Sheet 1 OF 2	Checked RDS
			Drawing No. R03910	