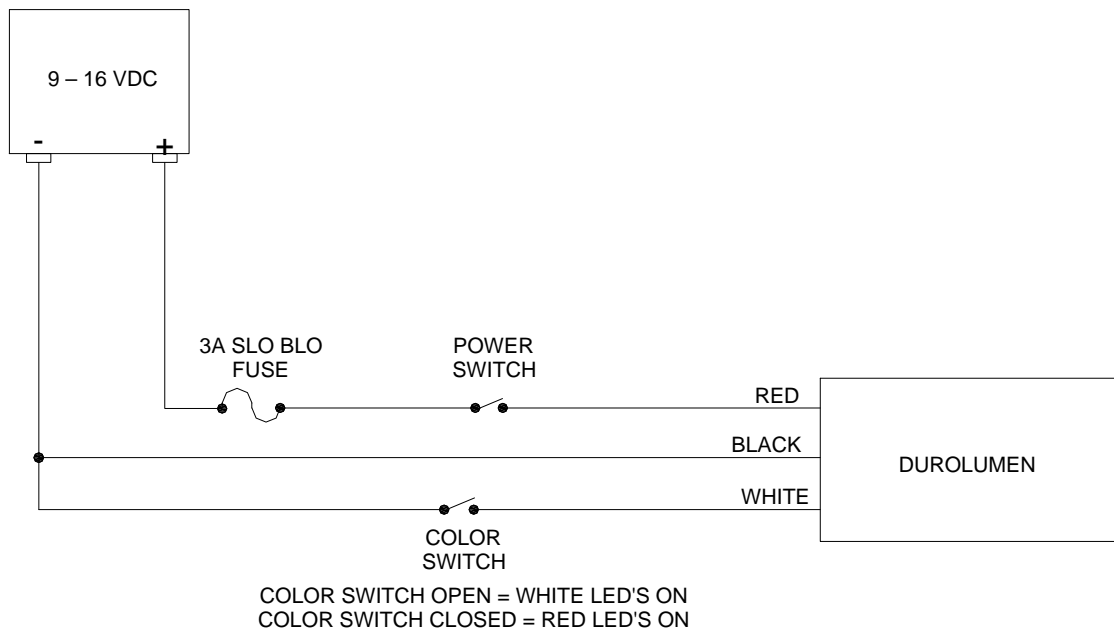


DUROLUMEN WITH RED AND WHITE LIGHTS

FM-7.5-06
Rev D
07-25-14

Congratulations on your purchase of the DuroLumen with Red and White Lights:

Wire Diagram:



Current Draw: White: 1.25 Amps @ 12.6 VDC

Red: 1.25 Amps @ 12.6 VDC

Operating Voltage: 9 - 16 VDC

Operating Temperature: -25° F to 150° F

Cut size required: 3 ½" wide x 16" Long

If you have any questions contact your R•O•M representative at 1-800-827-3692.