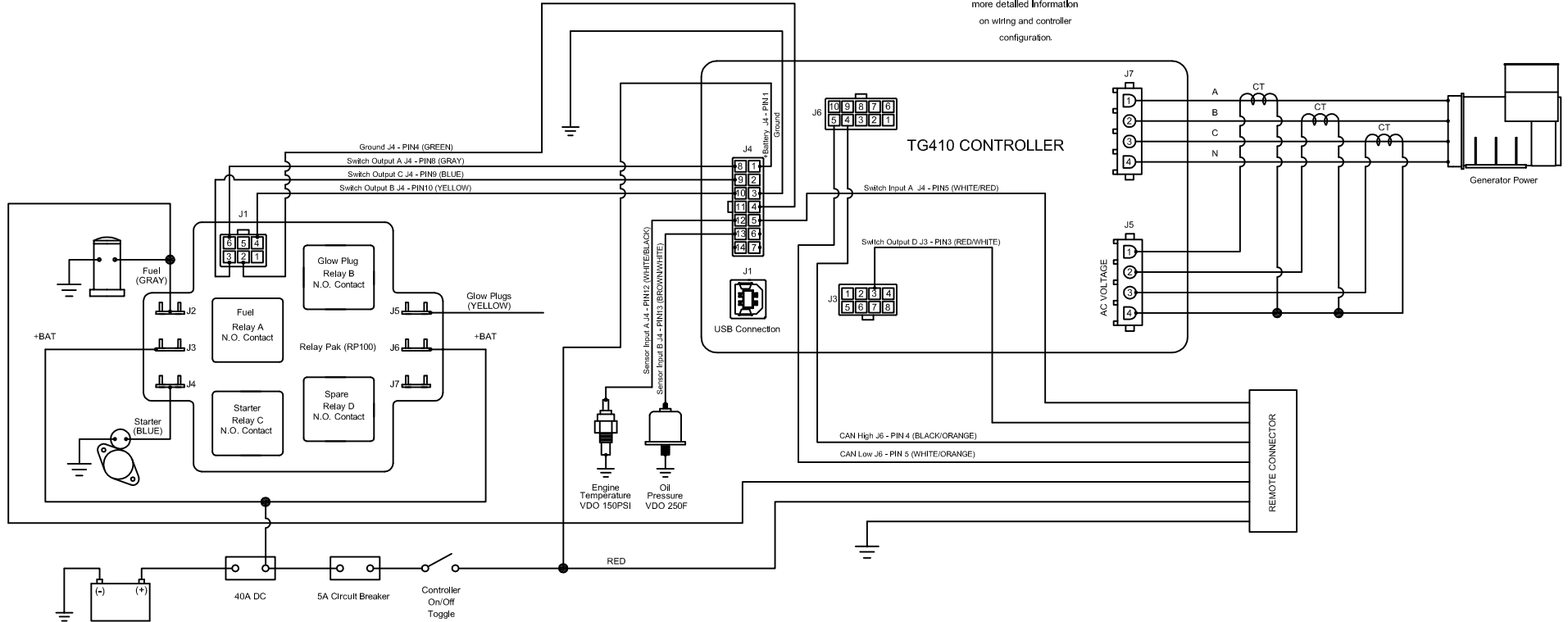


Review user manual for more detailed information on wiring and controller configuration.



Relay Pak Connector	
J1-1	Relay D Coil
J1-2	-Battery
J1-3	Relay C Coil
J1-4	Relay B Coil
J1-5	Relay A Coil
J1-6	Relay A Contact
J2	Relay A Contact
J3	A and C Common
J4	Relay C Contact
J5	Relay B Contact
J6	B and D Common
J7	Relay D Contact

Main Connector	
J4-1	+Battery
J4-2	+Battery
J4-3	Ground
J4-4	Ground
J4-5	Switch Input A
J4-6	Switch Input B
J4-7	Switch Input C
J4-8	Switch Output A
J4-9	Switch Output C
J4-10	Switch Output B
J4-11	Sensor Ground
J4-12	Sensor Input A
J4-13	Sensor Input B
J4-14	Sensor Input C

Expansion Connector	
J3-1	Switch Input D
J3-2	Switch Input E
J3-3	Switch Output D
J3-4	Switch Output E
J3-5	Switch Output F
J3-6	Sensor Power (5V)
J3-7	Sensor Ground
J3-8	Sensor Input D

Communication Connector	
J6-1	RS485-A
J6-2	RS485-B
J6-3	CAN High
J6-4	CAN Low
J6-5	CAN Ground
J6-6	Speed Input
J6-7	Speed Reference
J6-8	Speed Reference
J6-9	Speed Reference
J6-10	RS485 Ground

Generator Connector (A)	
J5-1	Gen. Current (A)
J5-2	Gen. Current (B)
J5-3	Gen. Current (C)
J5-4	Neutral

Generator Connector (V)	
J7-1	Gen. Phase A
J7-2	Gen. Phase B
J7-3	Gen. Phase C
J7-4	Neutral

PROPRIETARY AND CONFIDENTIAL THE INFORMATION CONTAINED IN THIS DRAWING IS THE SOLE PROPERTY OF POWER TECHNOLOGY. ANY REPRODUCTION IN PART OR AS A WHOLE WITHOUT THE WRITTEN PERMISSION OF POWER TECHNOLOGY IS PROHIBITED.



POWER TECHNOLOGY SOUTHEAST  
634 STATE ROAD 44  
LEESBURG, FLORIDA 34748-8102  
(352) 365-2777 FAX (352) 787-5545

PROJECT:				MODEL:					
FINISH:				PT PART #					
MATERIAL:				DESCRIPTION: DIAGRAM, WIRING, TG410, MECHANICAL ENGINE					
THICKNESS:				SIZE A		DWG. NO.		REV	
DIMENSIONS ARE IN INCHES UNLESS OTHERWISE SPECIFIED				NAME		DATE		NOT TO SCALE	
DO NOT SCALE DRAWING				DRAWN		NDM		05/21/2016	
				WEIGHT:		SHEET 1 OF 1			