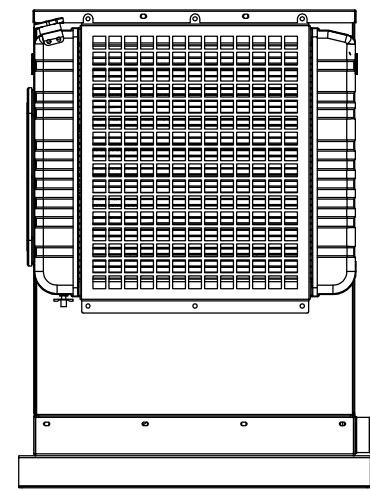
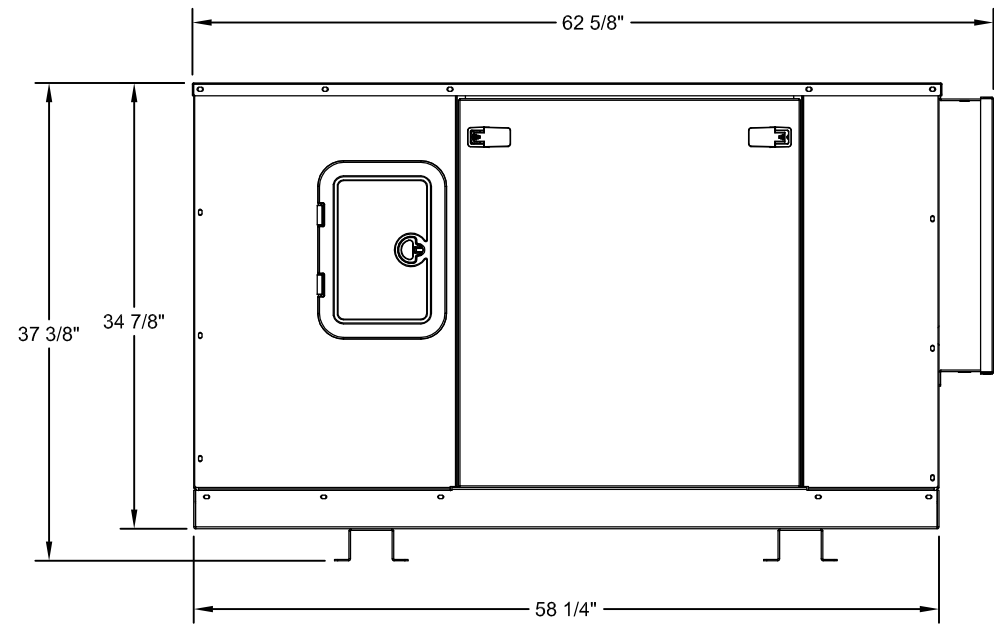
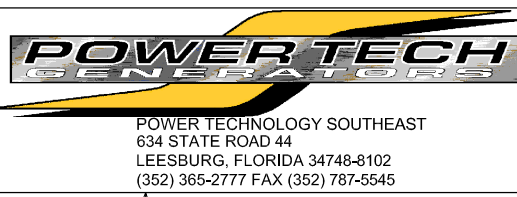


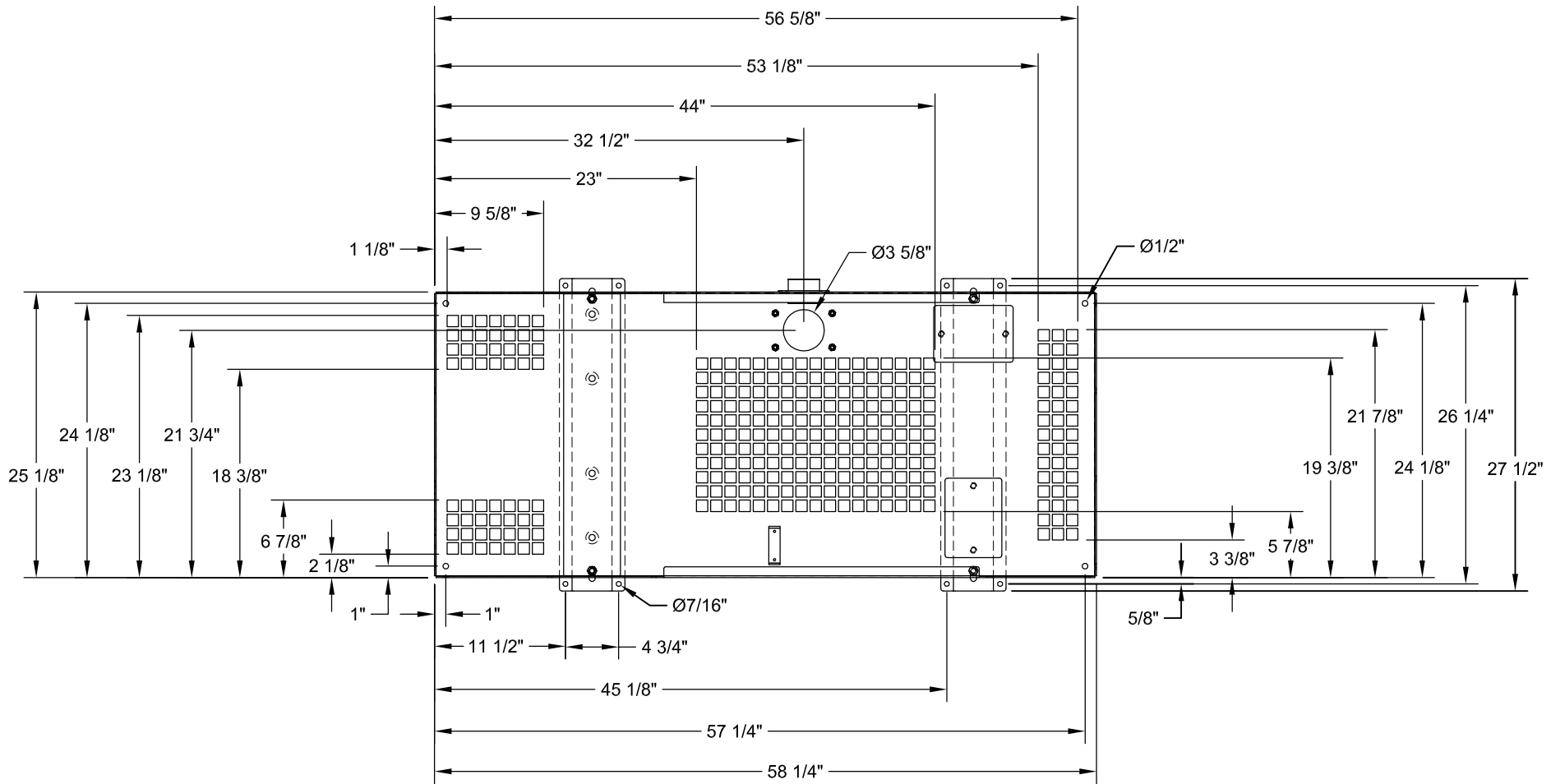
**SPECIFICATIONS SUBJECT TO CHANGE WITHOUT NOTICE**  
 This drawing was current at the time of printing. Production changes and options may result in changes that are not reflected in this drawing.



PROPRIETARY AND CONFIDENTIAL  
 THE INFORMATION CONTAINED IN THIS DRAWING IS THE SOLE PROPERTY OF POWER TECHNOLOGY. ANY REPRODUCTION IN PART OR AS A WHOLE WITHOUT THE WRITTEN PERMISSION OF POWER TECHNOLOGY IS PROHIBITED.



PROJECT: SALES DRAWING				MODEL:			
FINISH:				PT PART #			
MATERIAL:				DESCRIPTION: 30KW W/ SOUND INSULATED ENCLOSURE			
THICKNESS:				SIZE A	DWG. NO. PTK-30Si	REV	
DIMENSIONS ARE IN INCHES UNLESS OTHERWISE SPECIFIED						NAME	DATE
DO NOT SCALE DRAWING	DRAWN	NDM	08/20/2015	NOT TO SCALE	WEIGHT: 1300 LBS	SHEET 1 OF 2	



**SPECIFICATIONS SUBJECT TO  
CHANGE WITHOUT NOTICE**

This drawing was current at the time of printing. Production changes and options may result in changes that are not reflected in this drawing.

PROPRIETARY AND CONFIDENTIAL  
THE INFORMATION CONTAINED IN THIS DRAWING IS THE SOLE PROPERTY OF POWER TECHNOLOGY. ANY REPRODUCTION IN PART OR AS A WHOLE WITHOUT THE WRITTEN PERMISSION OF POWER TECHNOLOGY IS PROHIBITED.



POWER TECHNOLOGY SOUTHEAST  
634 STATE ROAD 44  
LEESBURG, FLORIDA 34748-8102  
(352) 365-2777 FAX (352) 787-5545

PROJECT: SALES DRAWING				MODEL:			
FINISH:				PT PART #			
MATERIAL:				DESCRIPTION: 30KW W/ SOUND INSULATED ENCLOSURE			
THICKNESS:				SIZE A	DWG. NO. PTK-30Si	REV	
DIMENSIONS ARE IN INCHES UNLESS OTHERWISE SPECIFIED						NAME	DATE
DO NOT SCALE DRAWING		DRAWN	NDM	08/20/2015	NOT TO SCALE	WEIGHT: 1300 LBS	SHEET 2 OF 2