

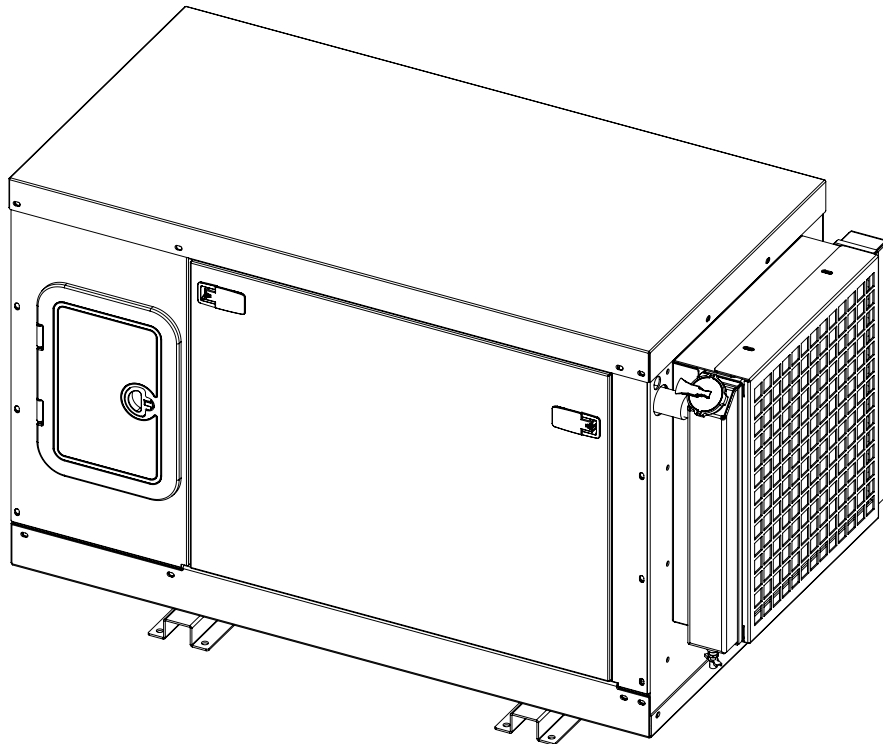


**POWERTECH**  
**GENERATORS**  
SOLUTIONS FOR MOBILE APPLICATIONS

## Parts List

### **PTK-25Si**

(for Generators with Serial Numbers Beginning with "K")



634 State Road 44 | Leesburg, FL 34748

Phone: 800-760-0027 | Fax: 352-787-5545

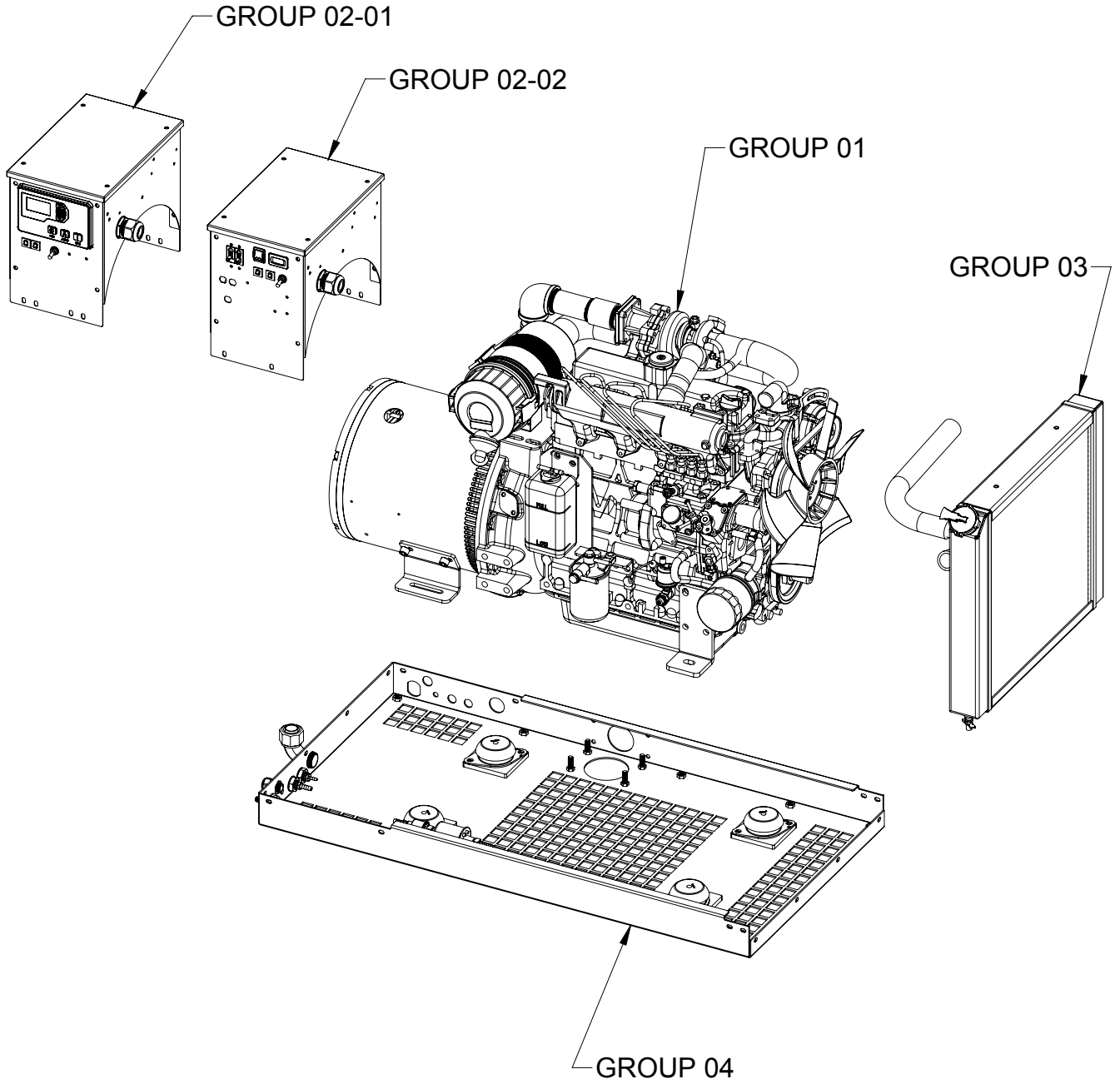
[www.powertechparts.com](http://www.powertechparts.com)

We recommend that you contact an authorized Power Tech Generator dealer for all maintenance and repairs of your generator. If you perform any maintenance or repairs, first disconnect the battery to prevent unintentional start-up. Unintentional start-up can result in serious injury or death.

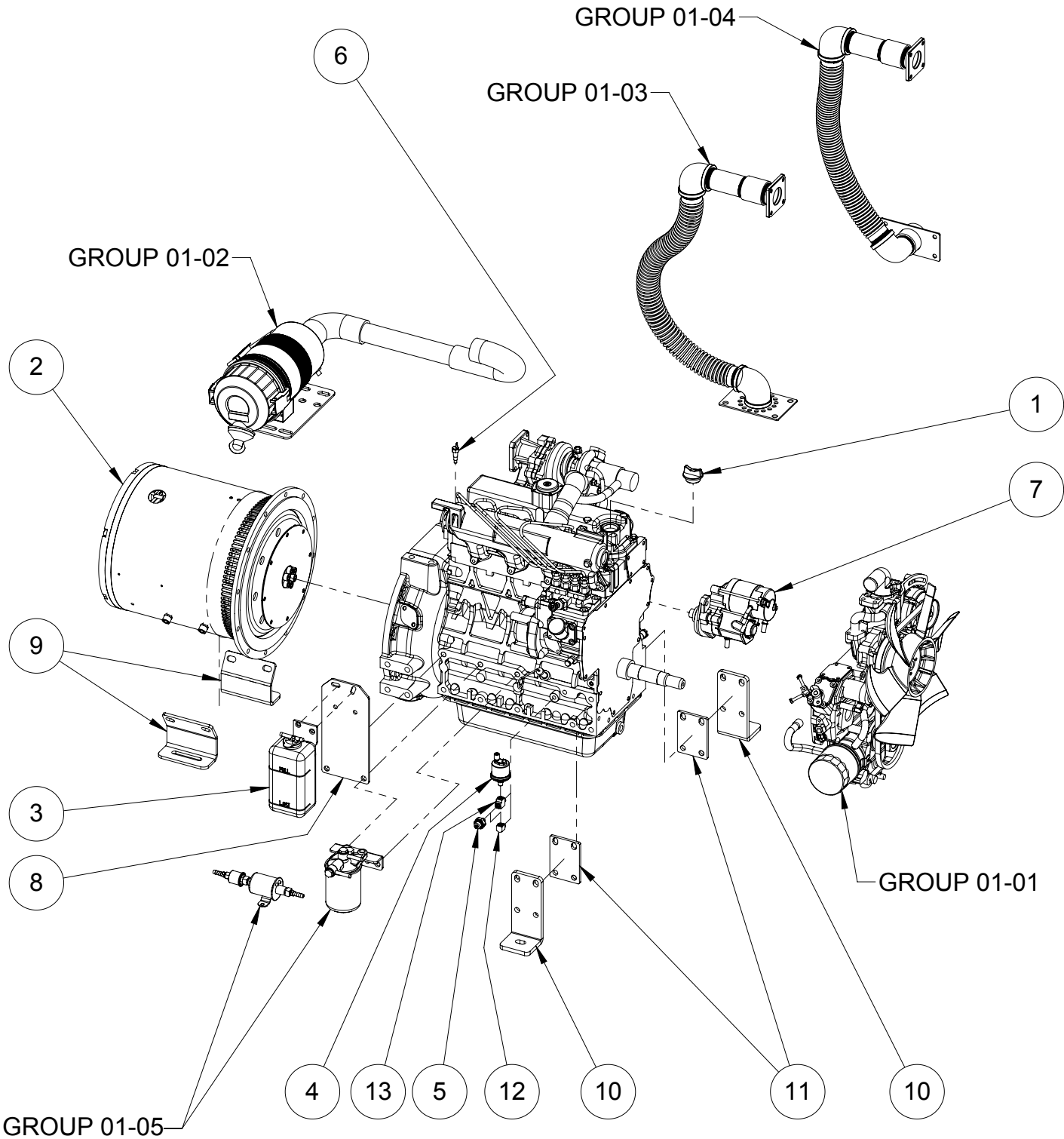
Use only Power Tech Generator parts. Other parts may not perform as well, may damage the generator set, and may result in property damage or injury. In addition, use of other parts may void your warranty.

This parts list was current at the time of printing. Production changes and installed options may result in changes that are not covered in this parts list. Production units and associated parts are subject to change without notice. For the most up to date parts information, please contact the factory with your Power Tech Generator model number and serial number.

# Group 00 (Complete Generator)



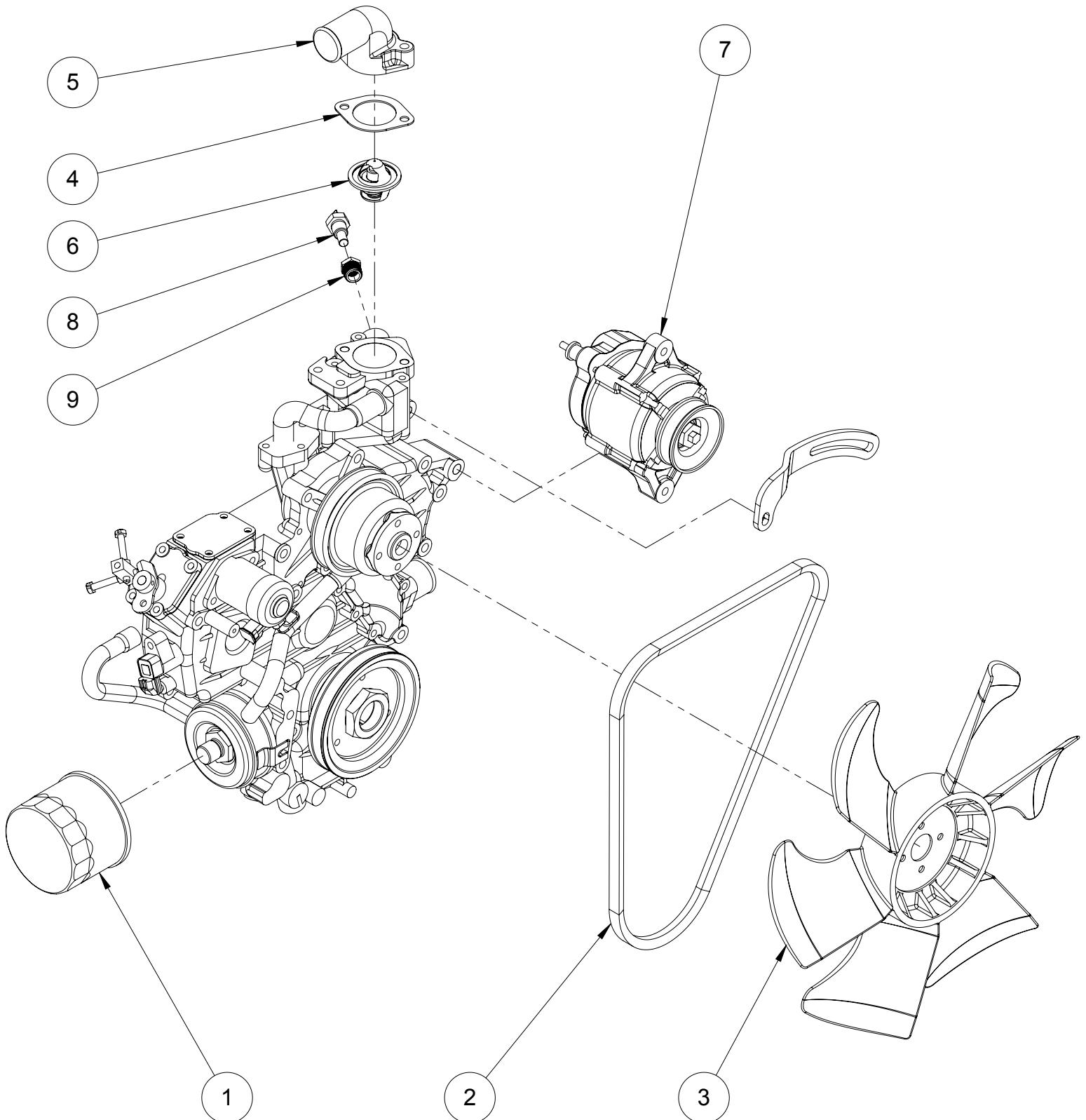
# Group 01 (Engine & Gen)



## Group 01 BOM (Engine & Gen)

ITEM	PART NUMBER	DESCRIPTION	QTY.
1	01FILLCAP	CAP,OIL FILL,KUBOTA,0203	1
2	02GEN1CB25	GENERATOR, C-TYPE, 25KW, 1 PHASE, SAE4/7.5, 4WIRE	1
3	03WBKIT	KIT, BOTTLE, WATER RECOVERY, KUBOTA	1
4	05SNDO105	SENDER,PRESSURE,OIL,VDO	1
5	05SOKUB1P	SWITCH,PRESSURE,OIL,1 POLE,KUBOTA	1
6	05STKUB03	SWITCH,TEMPERATURE SHUTDOWN	1
7	05STR0203NS	STARTER,11 TOOTH,KUBOTA,0203	1
8	09BRK03WBB	BRACKET,BOTTLE,WATER,BLOCK MOUNTED	1
9	09FTC2025	FOOT, MOUNTING, GENERATOR	2
10	09FTMS4LP	FOOT,LOWPRO,03,6 3/4"	2
11	09FTSP203	SPACER,FOOT,03	2
12	BR3400x2	ELBOW, 90°, STREET, BRASS, 1/8"	1
13	BR3750X2	TEE,RUN,BRASS,1/8	1
-	04BLK30002	BLANKET, MAINFOLD, V2003-T	1
-	04BLK30012	BLANKET, TURBO, V2003-T, 36-3800 T	1

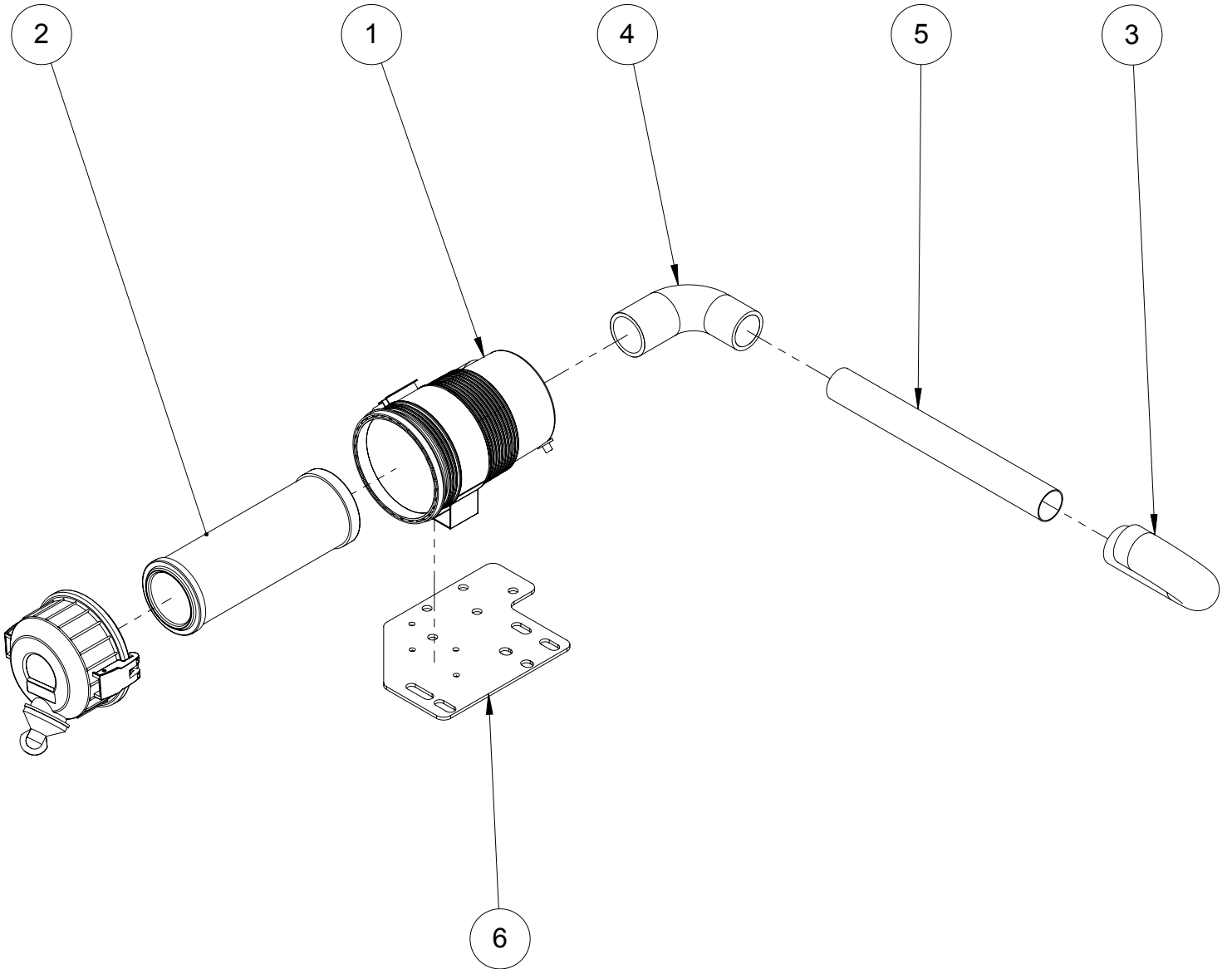
## Group 01-01 (Engine Front)



## Group 01-01 BOM (Engine Front)

ITEM	PART NUMBER	DESCRIPTION	QTY.
1	01FO091	FILTER,OIL,02/03,KUBOTA	1
2	03BF0203	BELT, FAN, 02/03, ALTERNATOR	1
3	03FANPH0203S	FAN, PUSHER, KUBOTA, 03, 380MM/15"	1
4	03GKT0203THM	GASKET,THERMOSTAT,KUBOTA,0203	1
5	03H0203THM	HOUSING,THERMOSTAT,KUBOTA,0203	1
6	03THM0305NEW	THERMOSTAT,KUBOTA,0305	1
7	05ALT03S	ALTERNATOR, 45A, KUBOTA	1
8	05SNDT118	SENDER,TEMPERATURE,VDO	1
9	BR3220X6X4	BUSHING, 3/8" X 1/4", BRASS	1

# Group 01-02 (Intake)

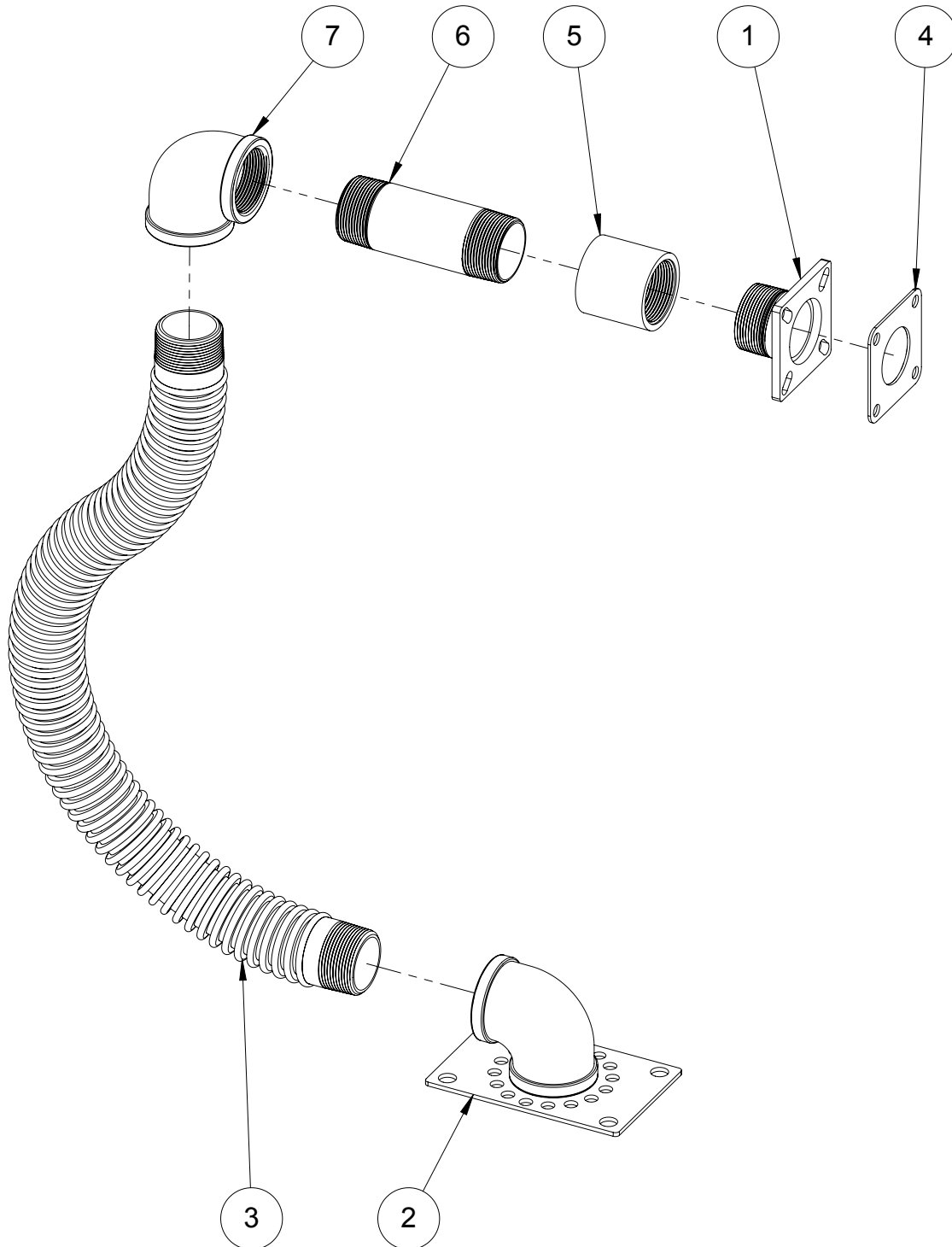




## **Group 01-02 BOM (Intake)**

<b>ITEM</b>	<b>PART NUMBER</b>	<b>DESCRIPTION</b>	<b>QTY.</b>
1	04AC2FW	HSG,CLEANER,AIR,W/ FILTER	1
2	04FA2E1	FILTER, AIR, ELEMENT FOR 04AC2FW	1
3	04HSA0923	HOSE, INTAKE, AIR, 180°, 1-3/4, (TURBO)	1
4	04HSA0924	HOSE, INTAKE, AIR, 90°, 1-3/4 X 2, (TURBO)	1
5	04IP175X15	PIPE, INTAKE, 1-3/4" X 15"	1
6	S-3132	BRACKET, FILTER, AIR, UNIVERSAL	1

# **Group 01-03 (Exhaust)** (with Bottom Out Exhaust)

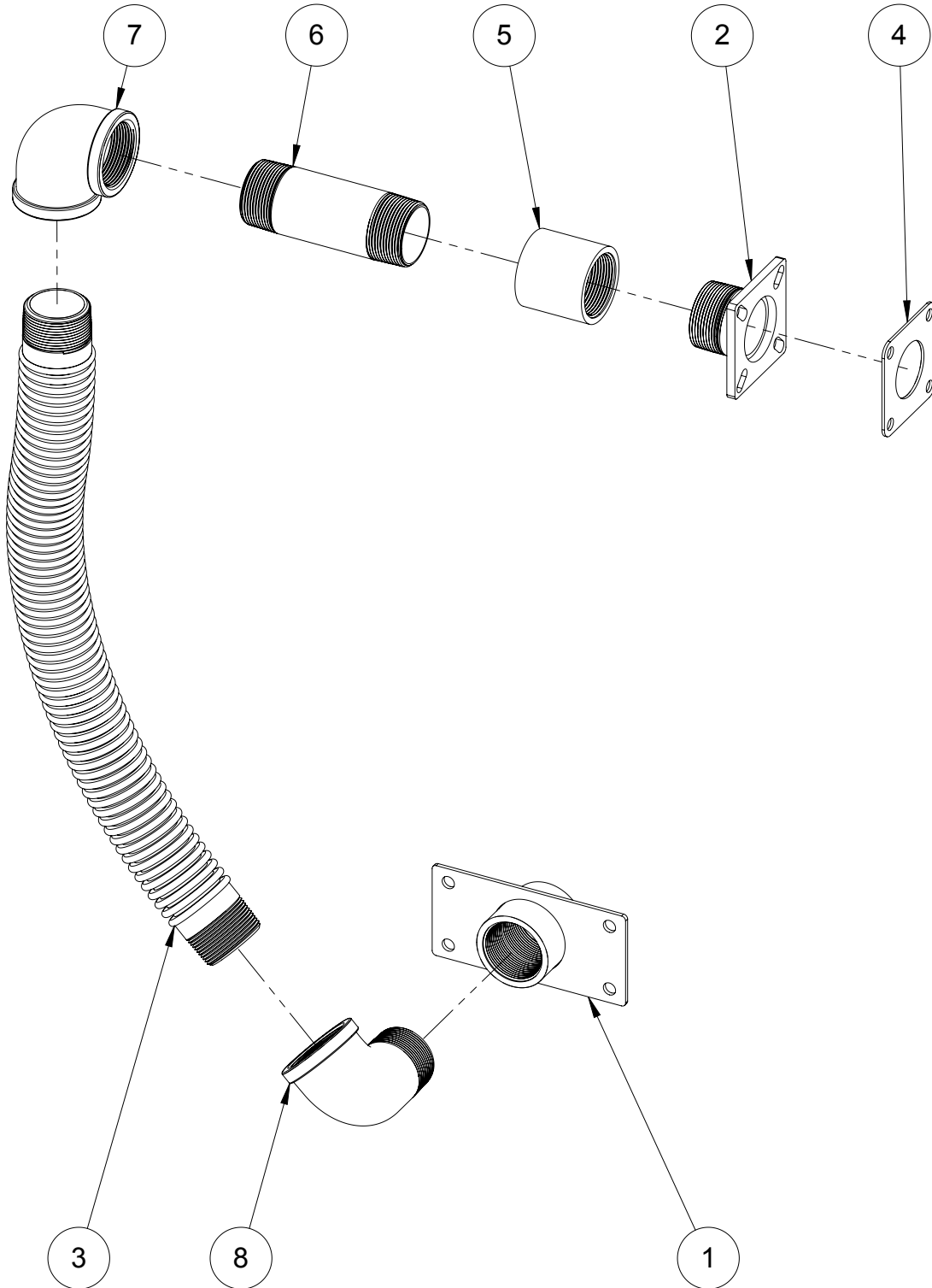


## Group 01-03 BOM (Exhaust)

ITEM	PART NUMBER	DESCRIPTION	QTY.
1	04EX112WSLT	FLANGE,EXHAUST,4 BOLT.SLOT,1 1/2"	1
2	04EXF15VENT90	FLANGE,FLOOR,VENTED, 1-1/2", 90°	1
3	04FLXP112X25	FLEXPipe,1 1/2" X 25"	1
4	04GKT0203EX	GASKET,FLANGE,EXHAUST,4 BOLT	1
5	BP112COUP	COUPLING,MERCHANT,1 1/2"	1
6	BP112X5N	NIPPLE, 1-1/2" X 5"	1
7	BP112X90L	ELBOW, 90°, 1-1/2",FXF	1
-	04BLKF42	BLANKET, PIPE, FLEX, 42" X 2.5" ID	1

# **Group 01-04 (Exhaust)**

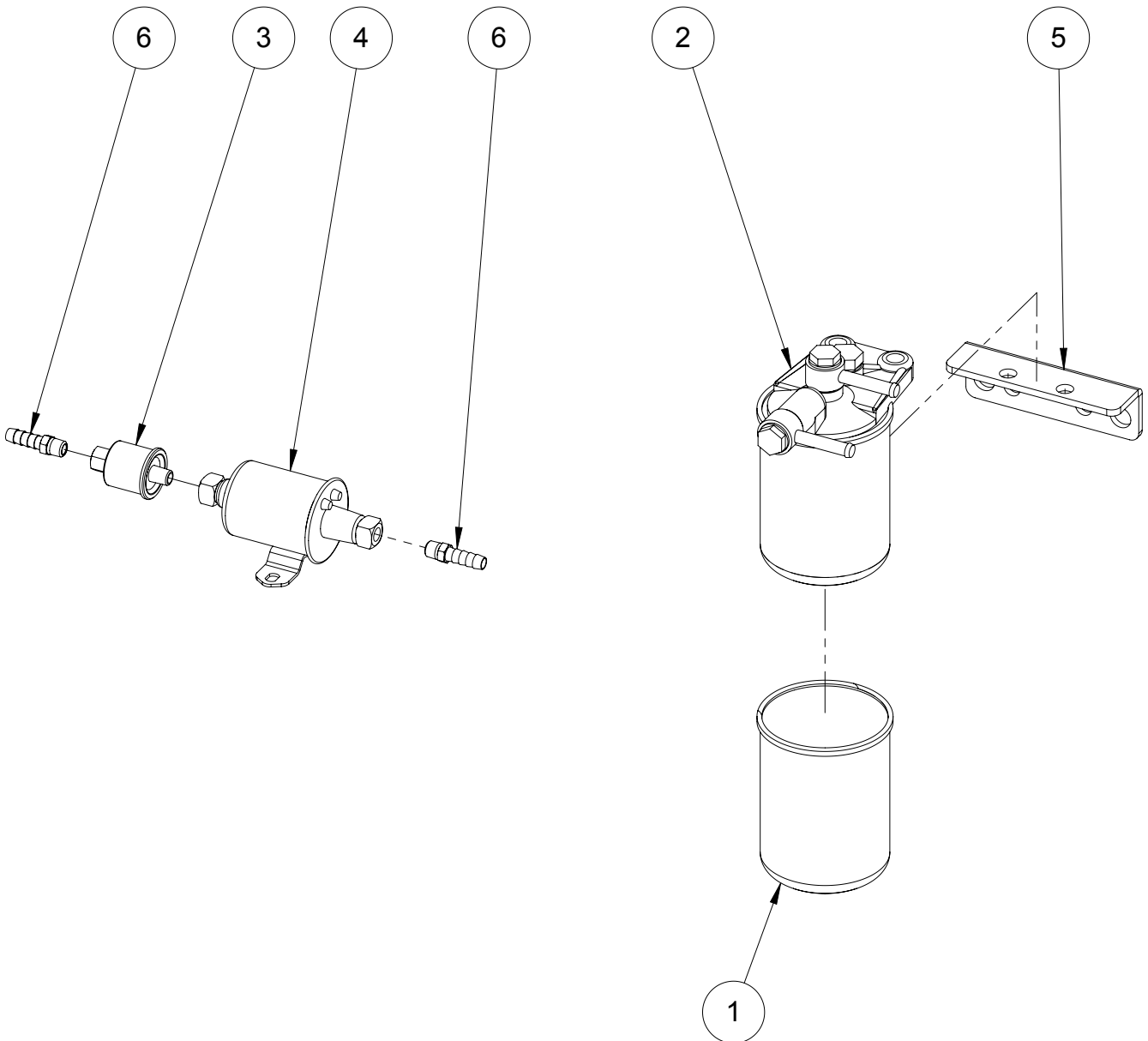
(with Side Out Exhaust)



## Group 01-04 BOM (Exhaust)

ITEM	PART NUMBER	DESCRIPTION	QTY.
1	04EX112SO	EXHAUST FLANGE	1
2	04EX112WSLT	FLANGE,EXHAUST,4 BOLT.SLOT,1 1/2"	1
3	04FLXP112X25	FLEXPipe,1 1/2" X 25"	1
4	04GKT0203EX	GASKET,FLANGE,EXHAUST,4 BOLT	1
5	BP112COUP	COUPLING,MERCHANT,1 1/2"	1
6	BP112X5N	NIPPLE, 1-1/2" X 5"	1
7	BP112X90L	ELBOW, 90°, 1-1/2",FXF	1
8	BP112X90SL	ELBOW, STREET, 90°, 1-1/2"	1
-	04BLKF42	BLANKET, PIPE, FLEX, 42" X 2.5" ID	1

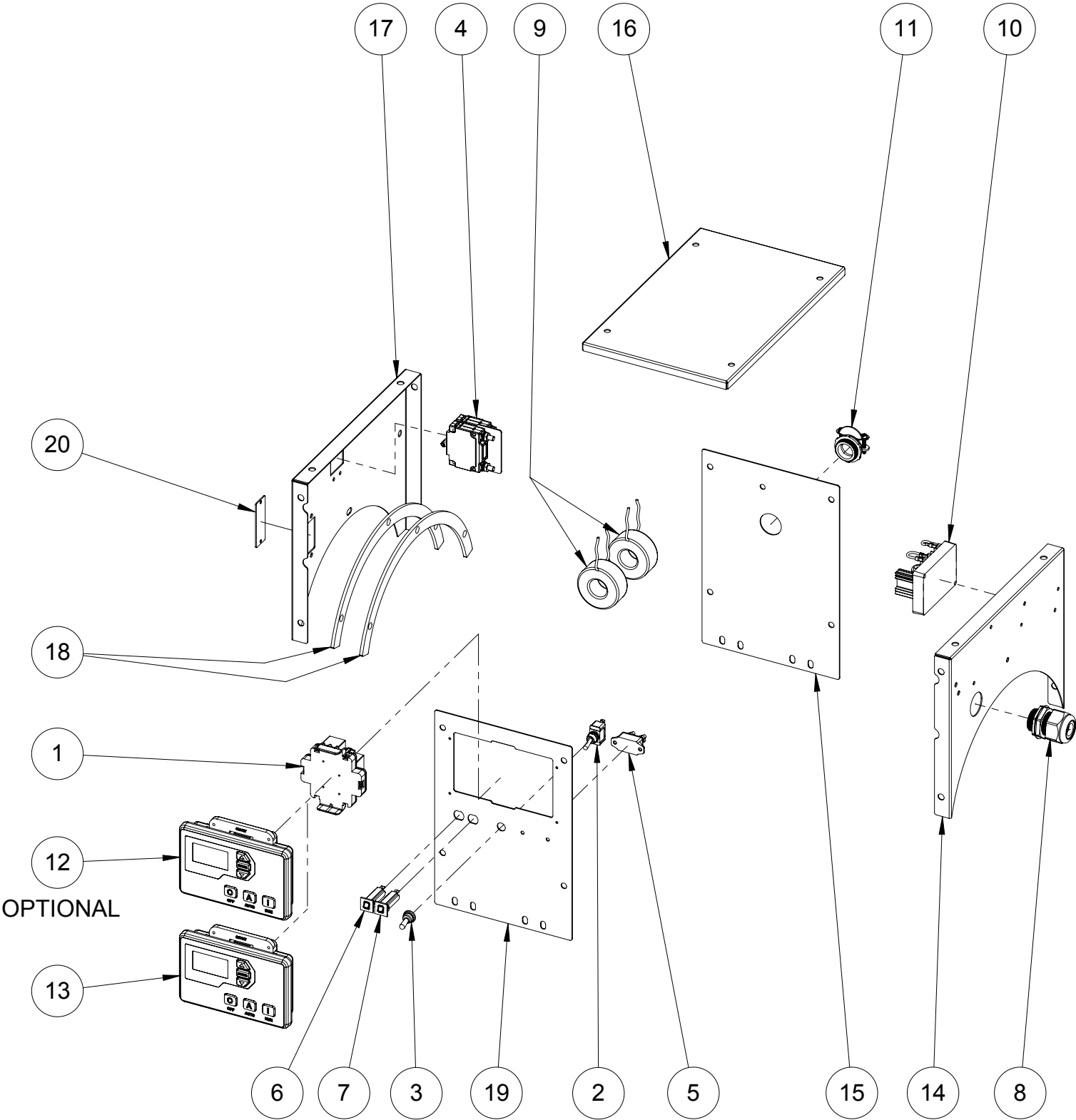
# Group 01-05 (Fuel)



## Group 01-05 BOM (Fuel)

ITEM	PART NUMBER	DESCRIPTION	QTY.
1	08FF17	FILTER, FUEL, 02-03-05-V33 (D06)	1
2	08FFD06	FILTER,FUEL,KUB KIT,BASE & FILTER	1
3	08FFG17B	FILTER, FUEL, INLINE, G17B	1
4	08PE7061	PUMP, FUEL, ELEC, 12V	1
5	09BRKFFD06	BRACKET,FILTER,FUEL,D06-05 & 03	1
6	BR516HX18MP	BARB,HOSE,5/16H X 1/8NPT,BRASS	2

# Group 02-01 (Controls)

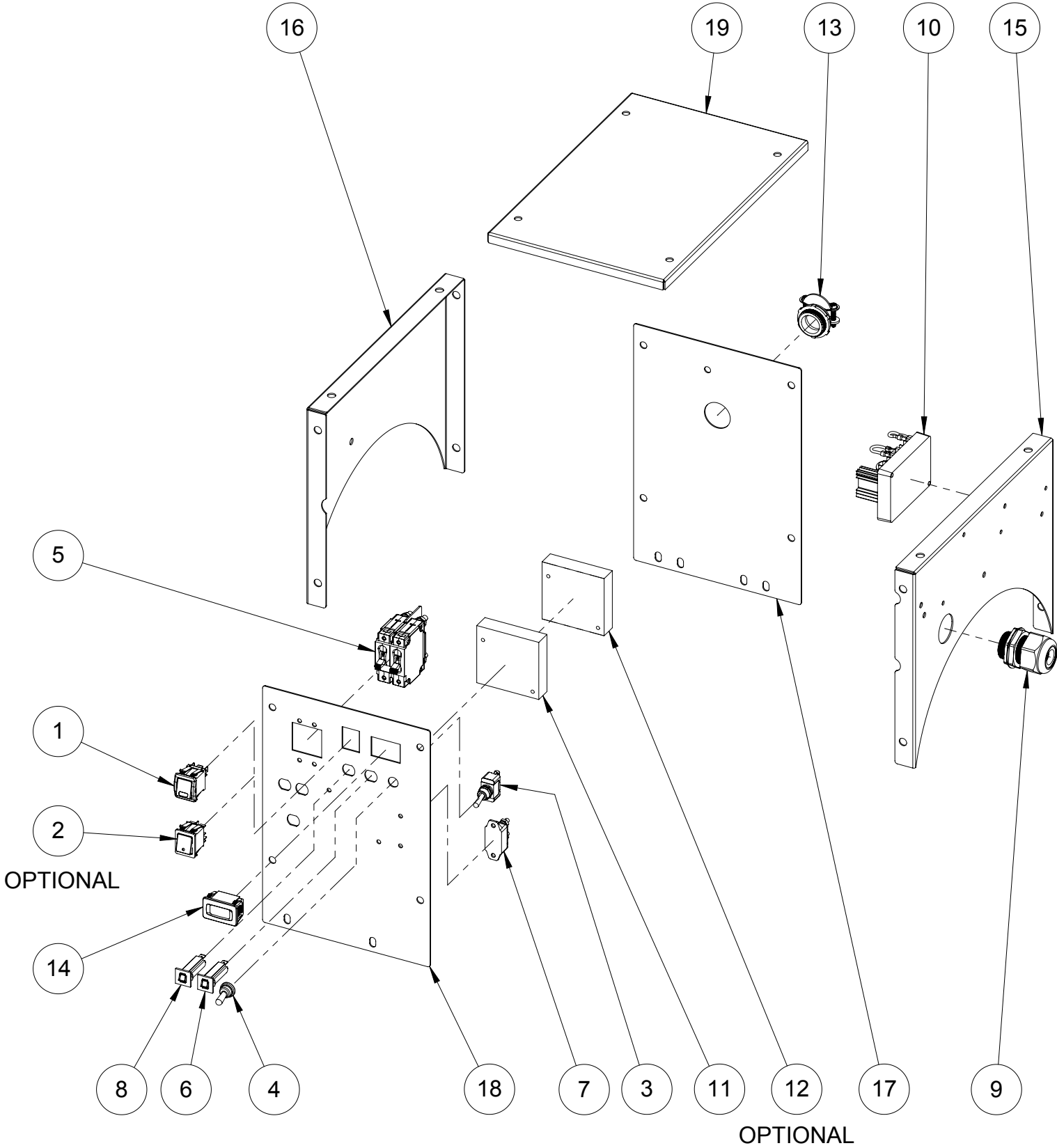




## Group 02-01 BOM (Controls)

ITEM	PART NUMBER	DESCRIPTION	QTY.
1	05RLY100	RELAY, PACK, DYNAGEN, RP100-VM	1
2	05STOGONOFF	SWITCH, TOGGLE, ON/OFF, 2 POLE	1
3	05TOGBOOT	BOOT, SWITCH, TOGGLE	1
4	06BR100A2PCA	BREAKER, 100AMP, 2P, CA	1
5	06BR401P12V	BREAKER, 40A, 12VDC	1
6	06BR4A-RESEW28	BREAKER,4A,RESET,ROCKER	1
7	06BR5A-RESEW28	BREAKER, 5A, RESET, ROCKER	1
8	06CG1	GRIP, CORD 1"	1
9	06CT1005	TRANSFORMER, CURRENT, 100:5	2
10	06REG634AVC	REGULATOR, BASLER, 63-4 AVC	1
11	07CR1	CONNECTOR, ROMEX, 1"	1
12	07TG350	CONTROLLER, ELECTRONIC, PTG350	1
13	07TG410	CONTROLLER, ELECTRONIC, PTG410	1
14	S-1825	CONTROL BOX FRONT	1
15	S-1827	CONTROL BOX LEFT	1
16	S-1829	CONTROL BOX TOP	1
17	S-2054	PANEL,CONTROL BOX,BACK	1
18	S-2055	SPACER,CONTROL BOX	2
19	S-2609	PANEL, SIDE, SERVICE, BOX, CONTROL	1
20	S-2880	PLATE, COVER, BREAKER, BLANK	1
-	07HRN5003K48-TG	HARNESS, ENGINE, TG , 48 INCH PIGTAIL	1
-	07HRNCON03M	HARNESS, GOVERNOR, KUBOTA, 03M, 60 Hz	1
-	07LACTG	PIGTAIL, SENSING, AC, TG SERIES	1

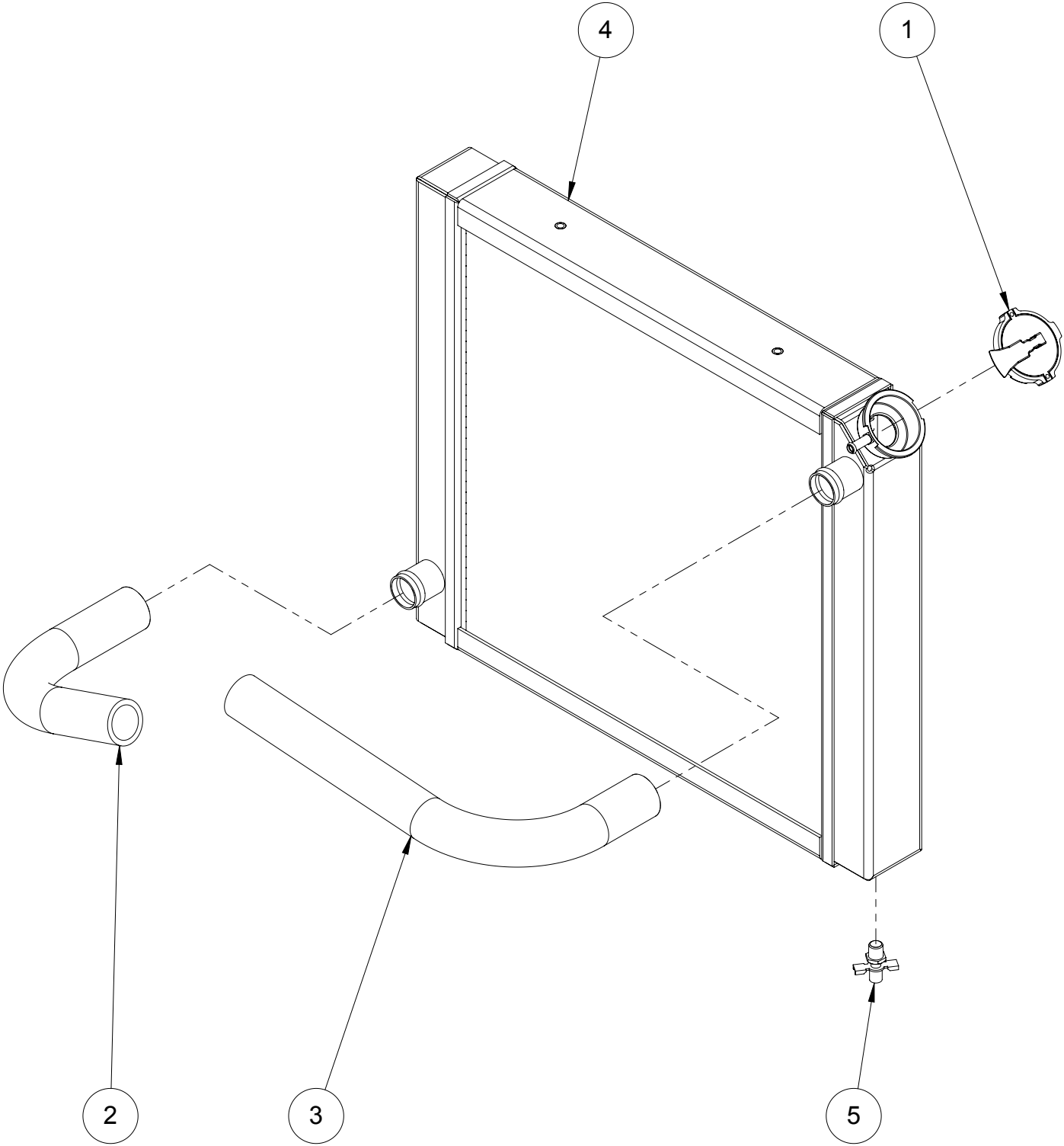
# Group 02-02 (Controls)



## Group 02-02 BOM (Controls)

ITEM	PART NUMBER	DESCRIPTION	QTY.
1	05SR	SWITCH, ROCKER, MOM, LIGHT, START/STOP	1
2	05SRMT	SWITCH,ROCKER,MAINTAIN,LIGHT	1
3	05STOGONOFF	SWITCH, TOGGLE, ON/OFF, 2 POLE	1
4	05TOGBOOT	BOOT, SWITCH, TOGGLE	1
5	06BR100A2PCA	BREAKER, 100AMP, 2P, CA	1
6	06BR1A-RESEW28	BREAKER, 1A, RESET, ROCKER	1
7	06BR401P12V	BREAKER, 40A, 12VDC	1
8	06BR4A-RESEW28	BREAKER,4A,RESET,ROCKER	1
9	06CG1	GRIP, CORD 1"	1
10	06REG634AVC	REGULATOR, BASLER, 63-4 AVC	1
11	07CONECU63	CONTROLLER, ENGINE, ECU 63, MOMENTARY	1
12	07CONECU64	CONTROLLER, ENGINE, ECU 64F, MAINTAIN	1
13	07CR1	CONNECTOR, ROMEX, 1"	1
14	07MHR-DIGITAL	METER, HOUR, DIGITAL, RECTANGLE	1
15	S-1825	CONTROL BOX FRONT	1
16	S-1826	CONTROL BOX BACK	1
17	S-1827	CONTROL BOX LEFT	1
18	S-1828	CONTROL BOX RIGHT	1
19	S-1829	CONTROL BOX TOP	1
-	07HRN5003K48	HARNESS, ENGINE, 03, ECU, 48" REMOTE CONNECTOR	1
-	07HRNCON03M	HARNESS, GOVERNOR, KUBOTA, 03M, 60 Hz	1

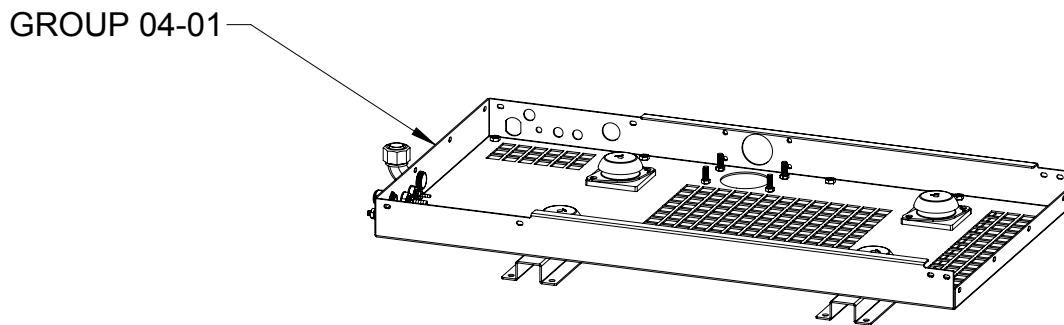
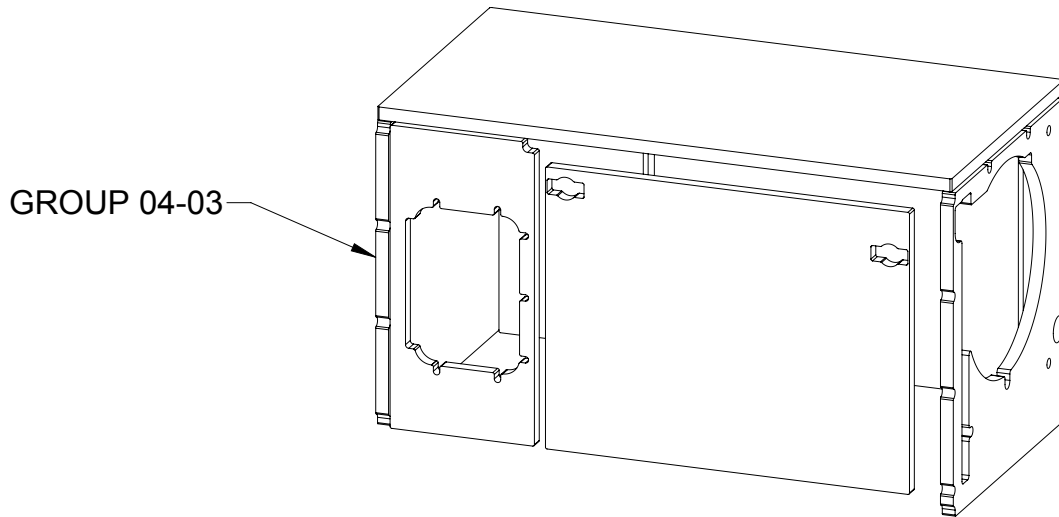
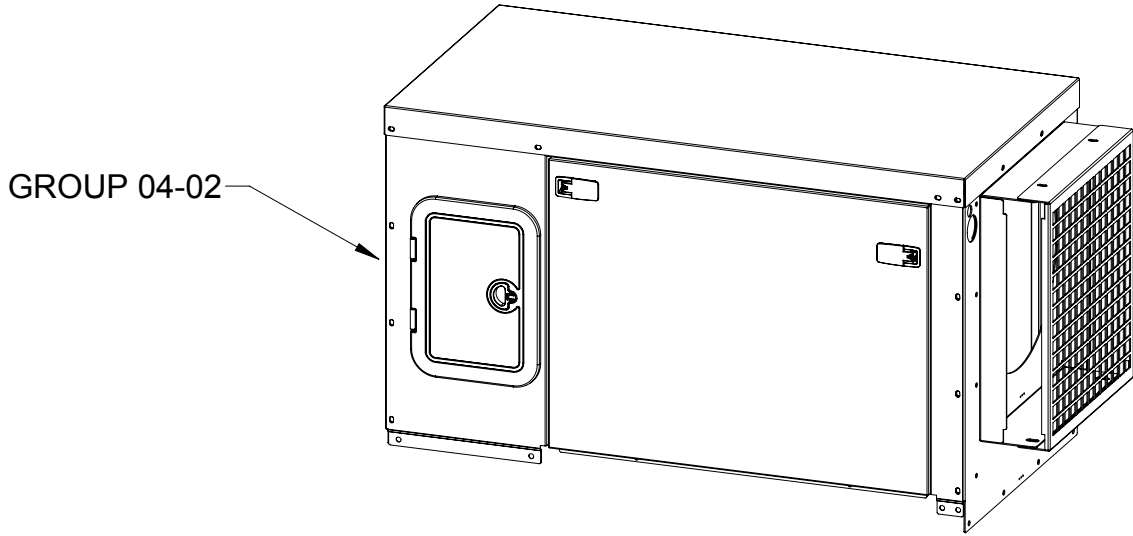
# Group 03 (Radiator)



## Group 03 BOM (Radiator)

ITEM	PART NUMBER	DESCRIPTION	QTY.
1	03CSP13	CAP, RADIATOR, 13#, RELEASE	1
2	03HS0203L	HOSE,RADIATOR,LOWER,520,03	1
3	03HS0203U	HOSE,RADIATOR,UPPER,520,03	1
4	03RAD520-ALUM	RADIATOR, ALUMINUM, 520, 03	1
5	BR6788	DRAIN COCK, 1/4", STRAIGHT, LONG, BRASS	1

# Group 04 (Enclosure)

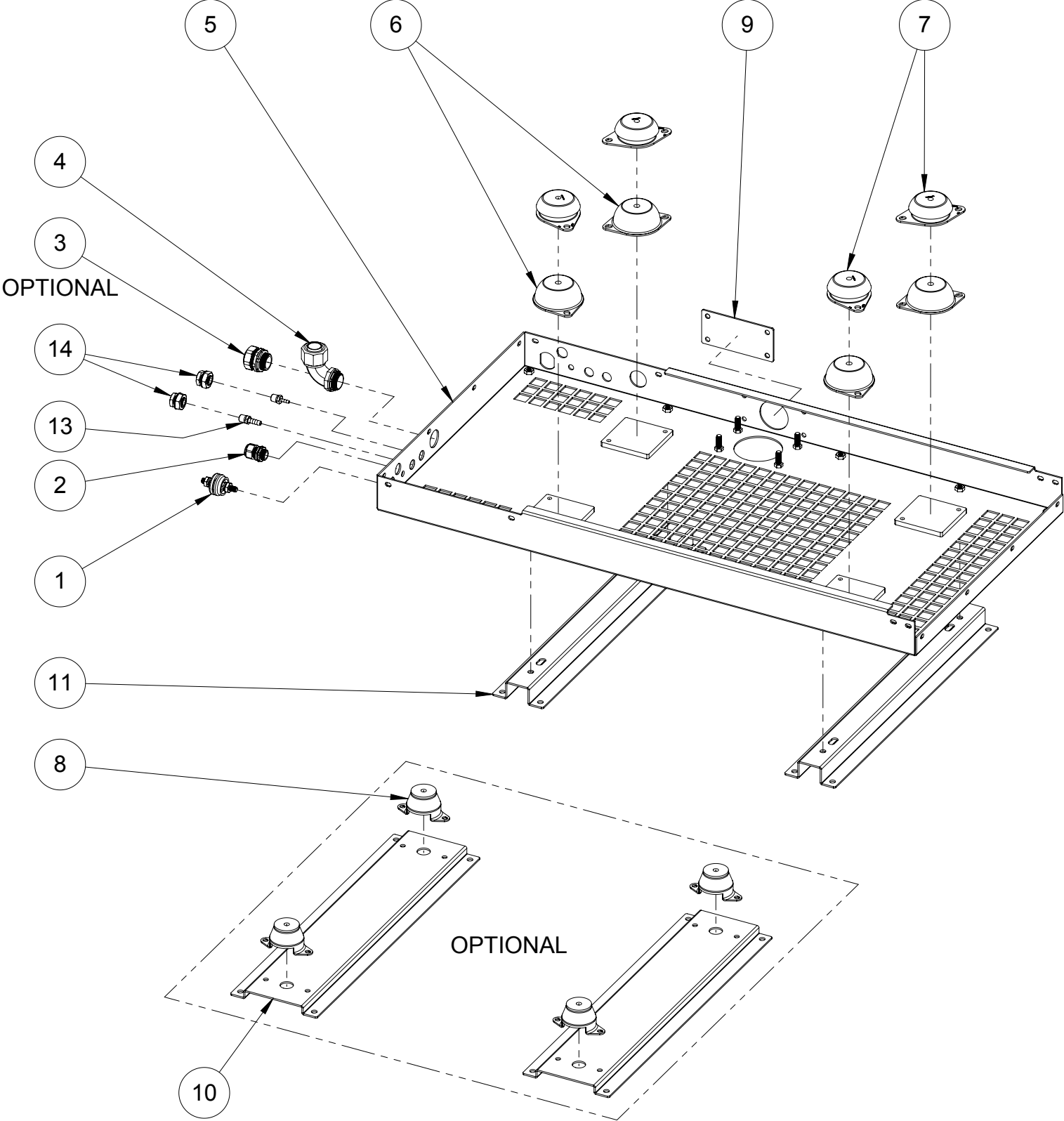


This page intentionally left blank

# Group 04-01 (Base Pan)

Rubber Mount  
(Pre 04/2017)

Shielded Mount

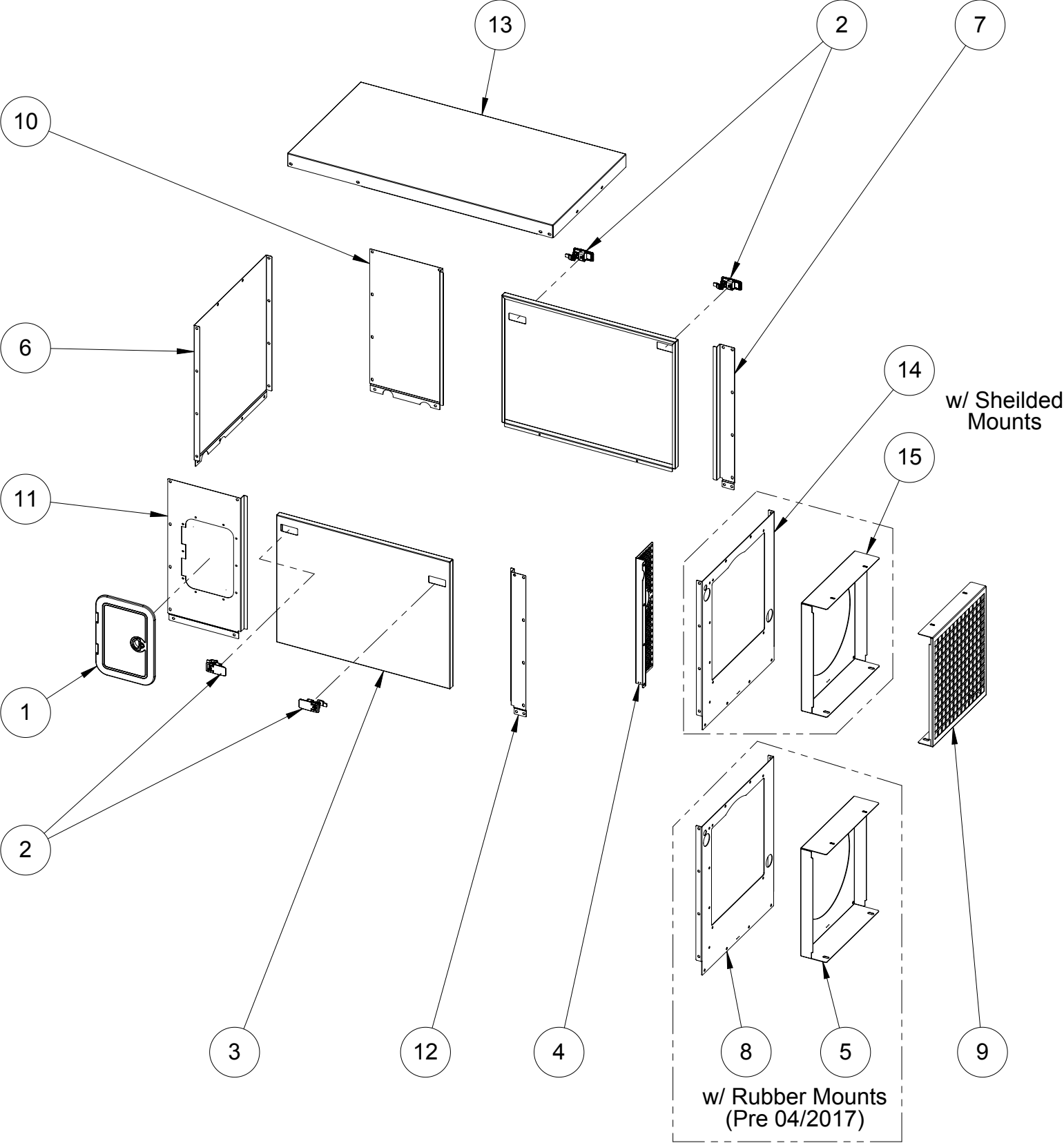




## Group 04-01 BOM (Base Pan)

ITEM	PART NUMBER	DESCRIPTION	QTY.
1	05BATISOL	ISOLATOR, BATTERY, POSITIVE	1
2	06CG12	GRIP, CORD, 1/2"	1
3	07CF1S	CONNECTOR, CONDUIT, LIQUID TIGHT, 1", STRAIGHT	1
4	07CF1X90	CONNECTOR, CONDUIT, LIQUID TIGHT, 1" X 90°	1
5	09BP20-2A	BASE ASSEMBLY, PAN	1
6	09MNT100B	MOUNT, ENGINE, ROUND	4
7	09MNT50	MOUNT, ENGINE, 50	4
8	09MNTRED	MOUNT, LORD, DOT, RED	4
9	09PB20	PLATE,BLOCK OFF,SIDEOUT/FLOOR FLANGE	1
10	09SM2-2SR	SECONDARY BASEPAN RISERS	2
11	09SM20-2R	RISER, BASE, PAN	2
12	BR316HX14MP	BARB, HOSE, 3/16H X 1/4NPT, BRASS	1
13	BR516HX14MP	BARB, HOSE, 5/16H X 1/4NPT, BRASS	1
14	BRW21204	BULKHEAD,BRASS,SHORT	2

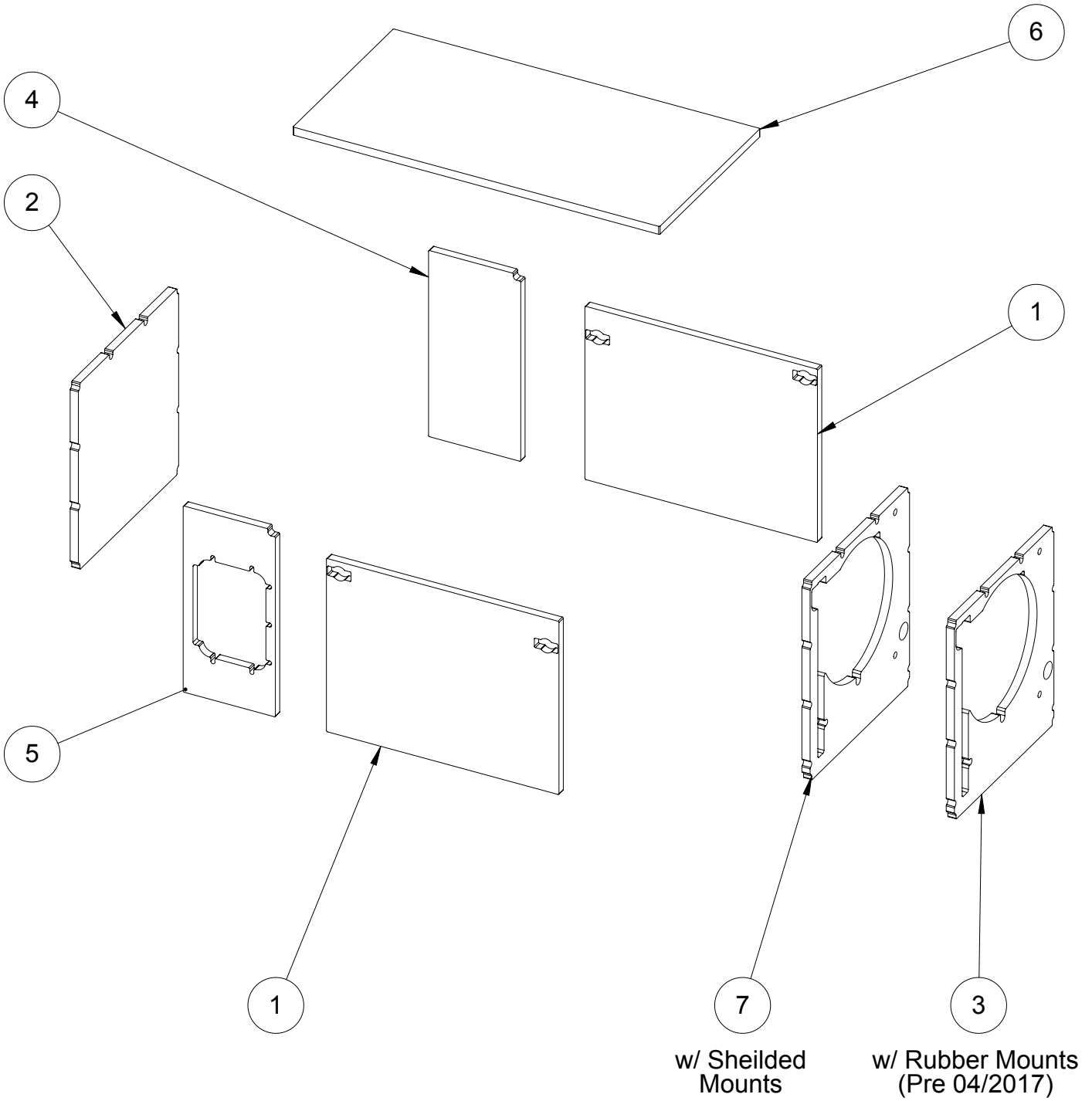
# Group 04-02 (Sheetmetal)



## Group 04-02 BOM (Sheetmetal)

ITEM	PART NUMBER	DESCRIPTION	QTY.
1	09ADAPU	DOOR,ACCESS,APU	1
2	09LTC10	LATCH, FLUSH MOUNT	4
3	09SM20-2D	DOOR, DROP-IN	2
4	09SM20-2FG-520A	GUARD, FAN	1
5	09SM20-2FS-520A	SHTMTL,SHROUD,FAN	1
6	09SM20-2GE	PANEL, END, GENERATOR	1
7	09SM20-2NSS	PANEL, SIDE, NON-SERVICE, FRONT	1
8	09SM20-2RE-520A	PANEL, END, RADIATOR, 520A	1
9	09SM20-2RG-520A	GUARD, RADIATOR, 520A	1
10	09SM20-2RNSSA	SHTMTL,SIDE,SERVICE,REAR	1
11	09SM20-2RSSA	SHTMTL,SIDE,NON SERVICE,REAR	1
12	09SM20-2SS	PANEL, SIDE, SERVICE, FRONT	1
13	09SM20-2TAT	TOP PANEL	1
14	S-3109	PANEL, END, RADIATOR, 520A	1
15	S-3110	SHROUD, FAN	1

# Group 04-03 (Sound Foam)



## **Group 04-03 BOM (Sound Foam)**

<b>ITEM</b>	<b>PART NUMBER</b>	<b>DESCRIPTION</b>	<b>QTY.</b>
1	09SM20-2D-SF	FOAM, SOUND, DOOR, DROP-IN	2
2	09SM20-2GE-SF	FOAM, SOUND, END, GENERATOR	1
3	09SM20-2RE-520A-SF	FOAM, SOUND, END, RADIATOR	1
4	09SM20-2RNSSA-SF	INSULATION,SIDE,SERVICE,REAR	1
5	09SM20-2RSSA-SF	INSULATION,SIDE,REAR,SERVICE	1
6	09SM20-2TAT-SF	INSULATION, TOP	1
7	S-3109-SF	FOAM, SOUND, END, RADIATOR	1