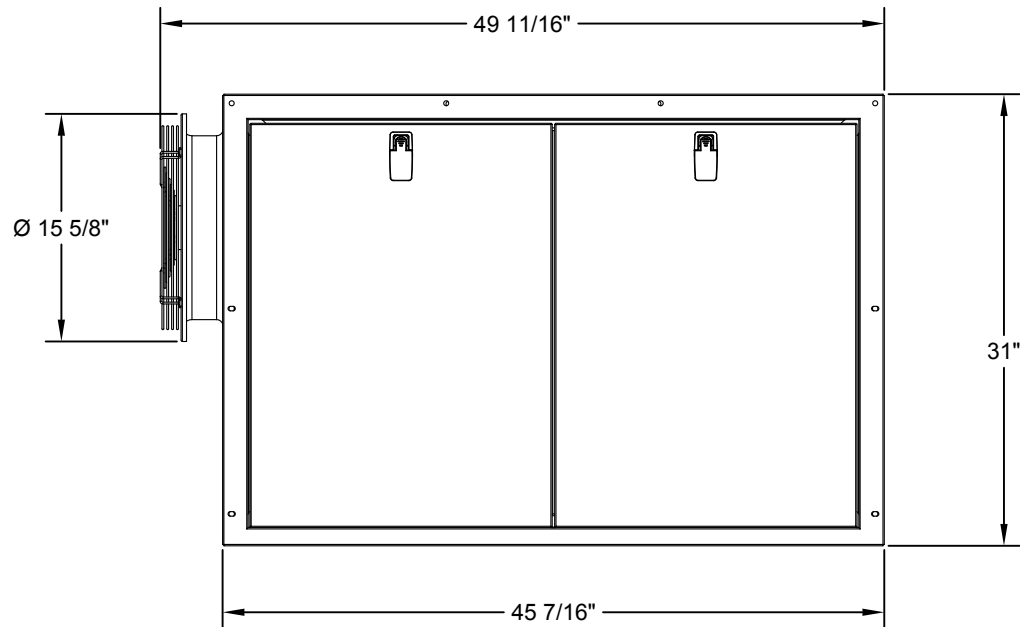
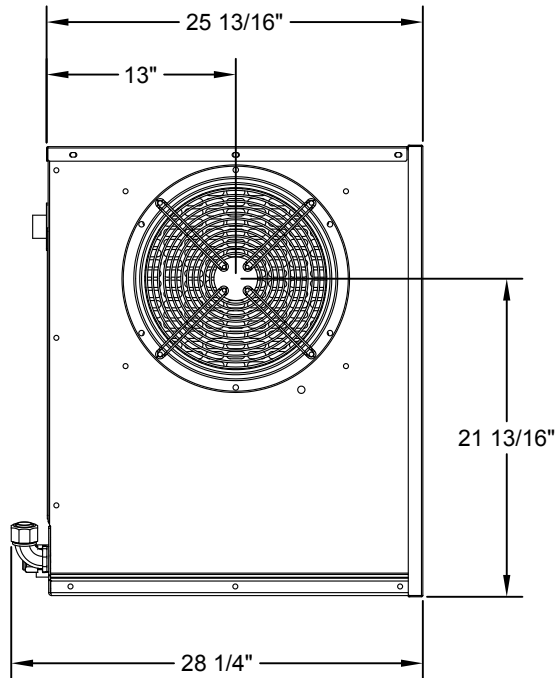
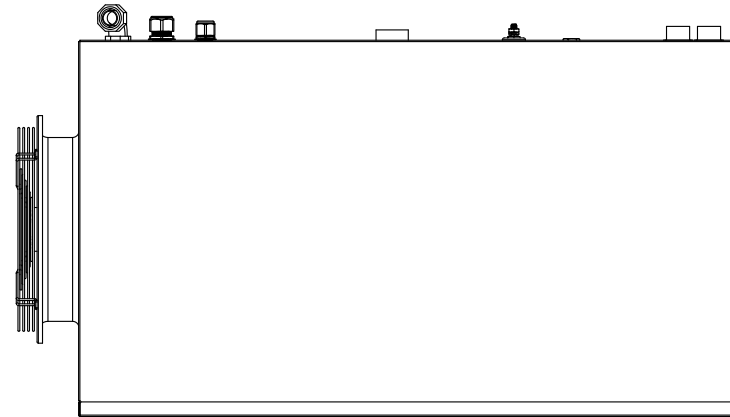


SPECIFICATIONS SUBJECT TO CHANGE WITHOUT NOTICE

This drawing was current at the time of printing. Production changes and options may result in changes that are not reflected in this drawing.

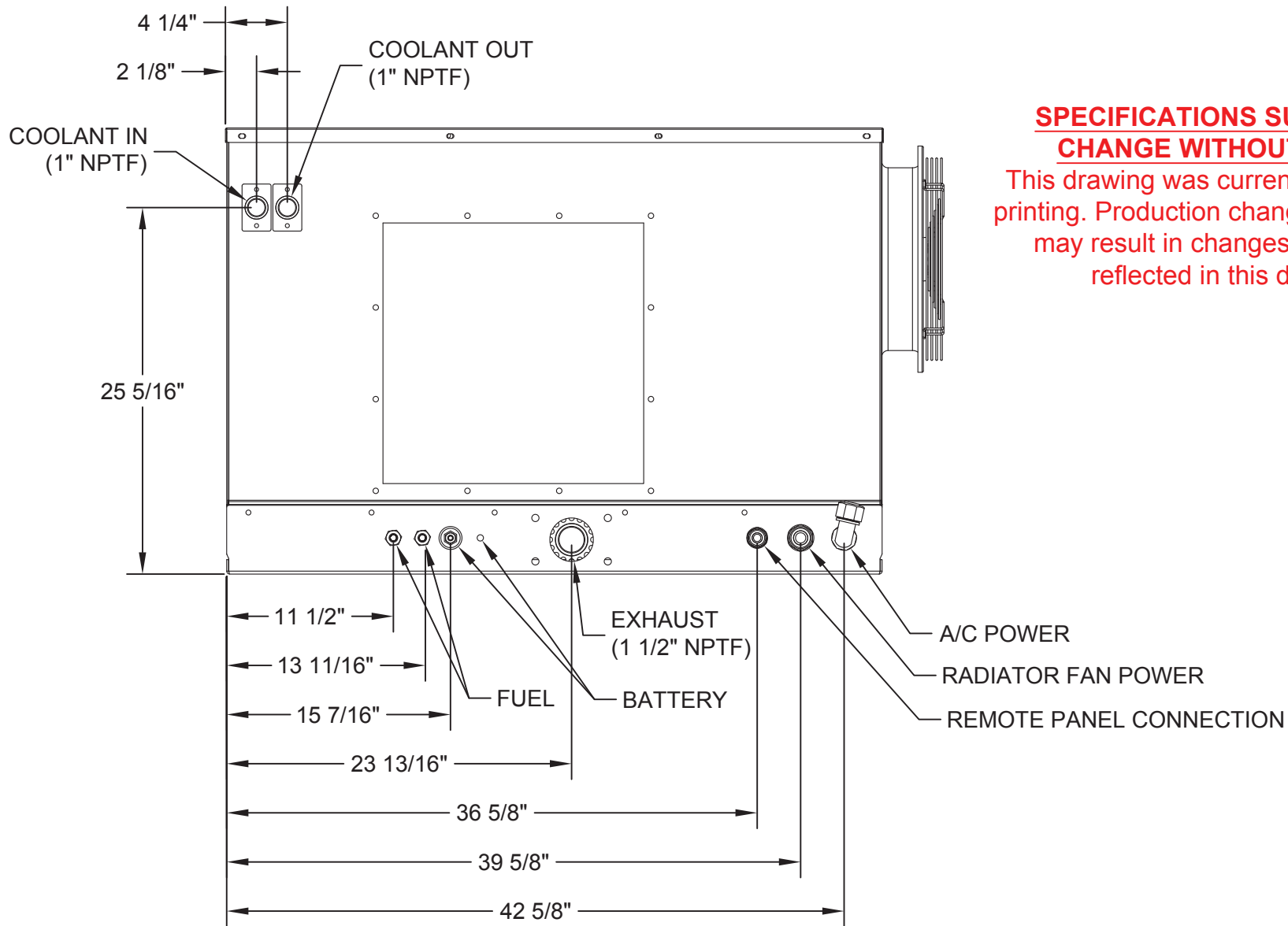


PROPRIETARY AND CONFIDENTIAL
 THE INFORMATION CONTAINED IN THIS DRAWING IS THE SOLE PROPERTY OF POWER TECHNOLOGY. ANY REPRODUCTION IN PART OR AS A WHOLE WITHOUT THE WRITTEN PERMISSION OF POWER TECHNOLOGY IS PROHIBITED.



POWER TECHNOLOGY SOUTHEAST
 634 STATE ROAD 44
 LEESBURG, FLORIDA 34748-8102
 (352) 365-2777 FAX (352) 787-5545

PROJECT: SALES DRAWING				MODEL: OPT. NARROW ENCLOSURE W/ REMOTE RADIATOR			
FINISH:				PT PART #			
MATERIAL:				DESCRIPTION: 20/25KW W/ SOUND INSULATED ENCLOSURE			
THICKNESS:				SIZE A	DWG. NO. PTK-20/25SS	REV	
DIMENSIONS ARE IN INCHES UNLESS OTHERWISE SPECIFIED						NAME	DATE
DO NOT SCALE DRAWING	DRAWN	NDM	06/15/2016	NOT TO SCALE	WEIGHT: ---	SHEET 1 OF 5	



SPECIFICATIONS SUBJECT TO CHANGE WITHOUT NOTICE
 This drawing was current at the time of printing. Production changes and options may result in changes that are not reflected in this drawing.

PROPRIETARY AND CONFIDENTIAL
 THE INFORMATION CONTAINED IN THIS DRAWING IS THE SOLE PROPERTY OF POWER TECHNOLOGY. ANY REPRODUCTION IN PART OR AS A WHOLE WITHOUT THE WRITTEN PERMISSION OF POWER TECHNOLOGY IS PROHIBITED.

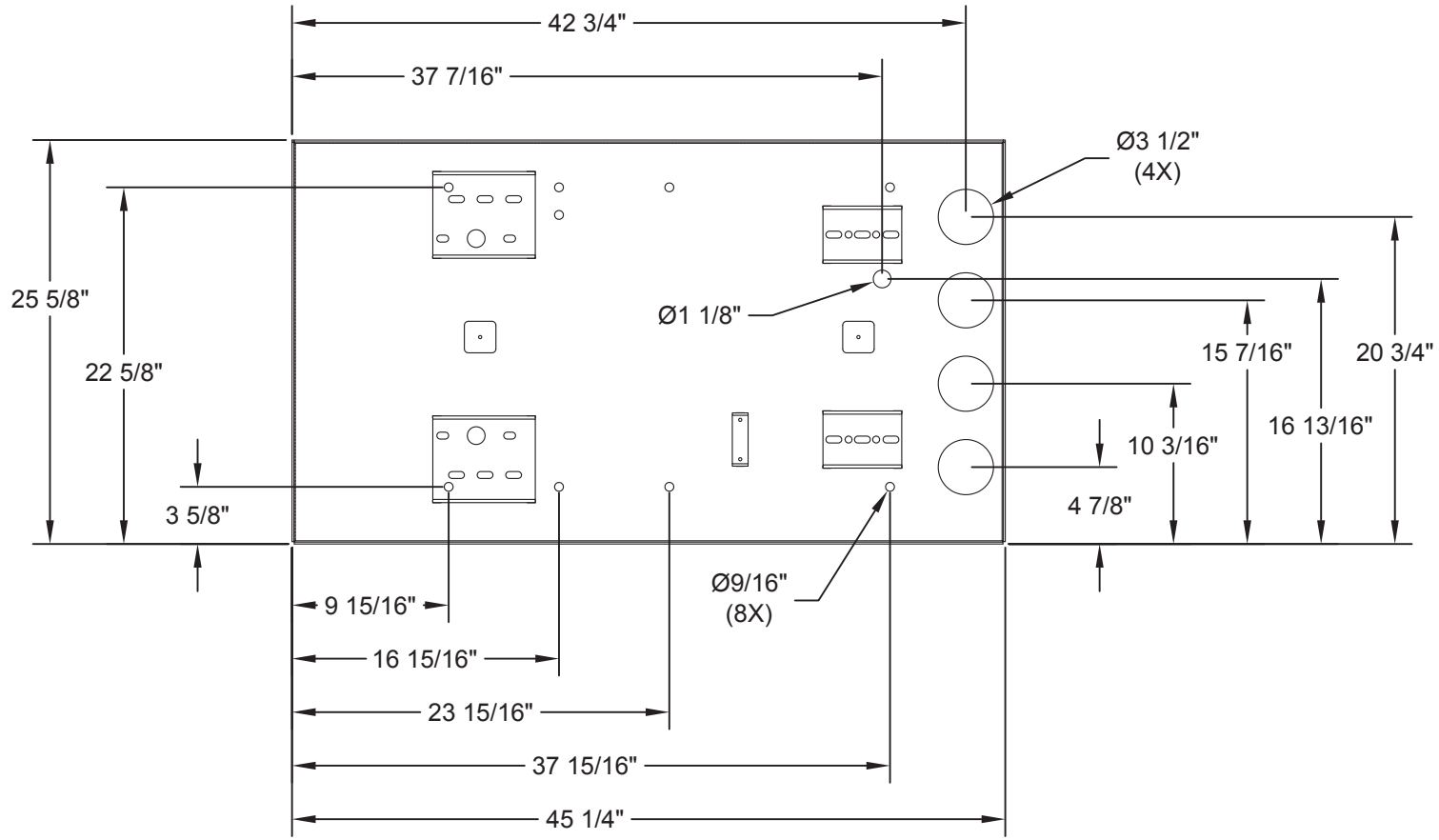


POWER TECHNOLOGY SOUTHEAST
 634 STATE ROAD 44
 LEESBURG, FLORIDA 34748-8102
 (352) 365-2777 FAX (352) 787-5545

PROJECT: SALES DRAWING				MODEL: OPT. NARROW ENCLOSURE W/ REMOTE RADIATOR			
FINISH:				PT PART #			
MATERIAL:				DESCRIPTION: 20/25KW W/ SOUND INSULATED ENCLOSURE			
THICKNESS:				SIZE A	DWG. NO. PTK-20/25SS	REV	
DIMENSIONS ARE IN INCHES UNLESS OTHERWISE SPECIFIED						NAME	DATE
DO NOT SCALE DRAWING	DRAWN	NDM	06/15/2016	NOT TO SCALE	WEIGHT: ----	SHEET 2 OF 5	

**SPECIFICATIONS SUBJECT TO
CHANGE WITHOUT NOTICE**

This drawing was current at the time of printing. Production changes and options may result in changes that are not reflected in this drawing.



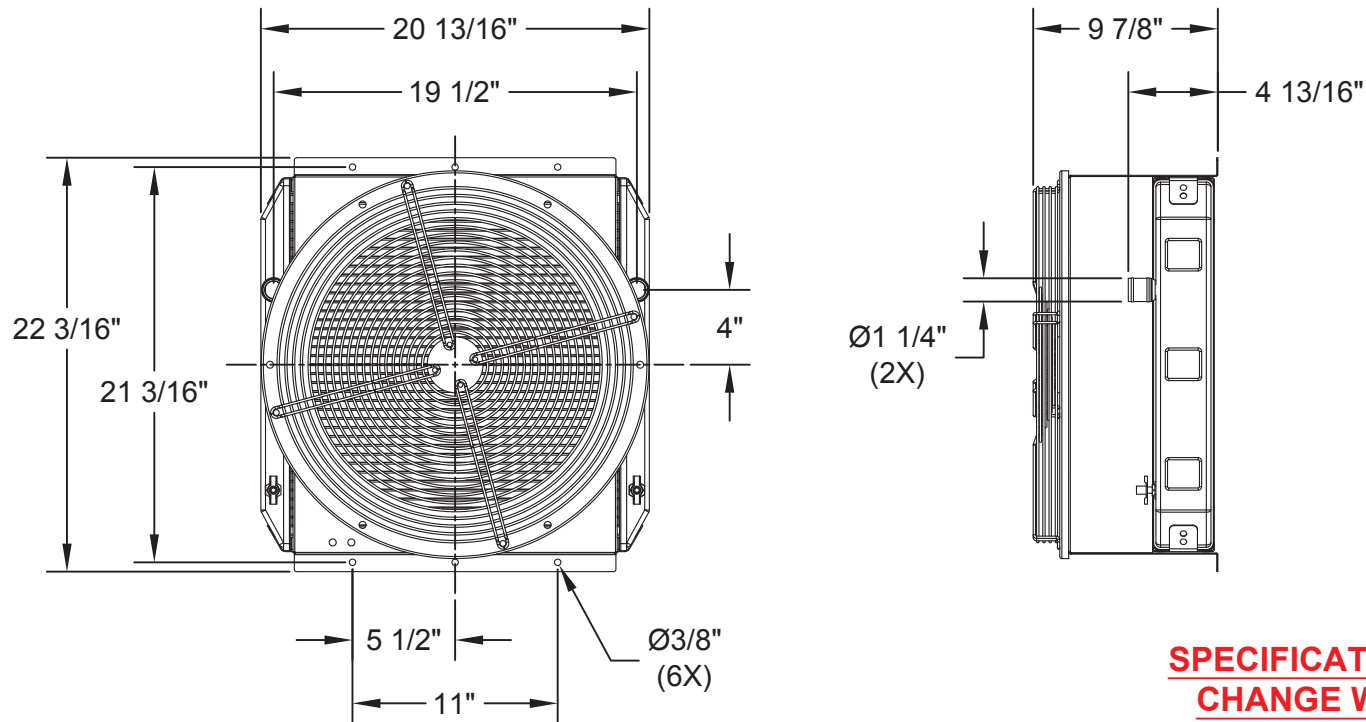
PROPRIETARY AND CONFIDENTIAL
THE INFORMATION CONTAINED IN THIS DRAWING IS THE SOLE PROPERTY OF POWER TECHNOLOGY. ANY REPRODUCTION IN PART OR AS A WHOLE WITHOUT THE WRITTEN PERMISSION OF POWER TECHNOLOGY IS PROHIBITED.



POWER TECHNOLOGY SOUTHEAST
634 STATE ROAD 44
LEESBURG, FLORIDA 34748-8102
(352) 365-2777 FAX (352) 787-5545

PROJECT: SALES DRAWING				MODEL: OPT. NARROW ENCLOSURE W/ REMOTE RADIATOR			
FINISH:				PT PART #			
MATERIAL:				DESCRIPTION: 20/25KW W/ SOUND INSULATED ENCLOSURE			
THICKNESS:				SIZE A	DWG. NO. PTK-20/25SS	REV	
DIMENSIONS ARE IN INCHES UNLESS OTHERWISE SPECIFIED						NAME	DATE
DO NOT SCALE DRAWING	DRAWN	NDM	06/15/2016	NOT TO SCALE	WEIGHT: ----	SHEET 3 OF 5	

HORIZONTALLY MOUNTED REMOTE RADIATOR ASSEMBLY



**SPECIFICATIONS SUBJECT TO
CHANGE WITHOUT NOTICE**

This drawing was current at the time of printing. Production changes and options may result in changes that are not reflected in this drawing.

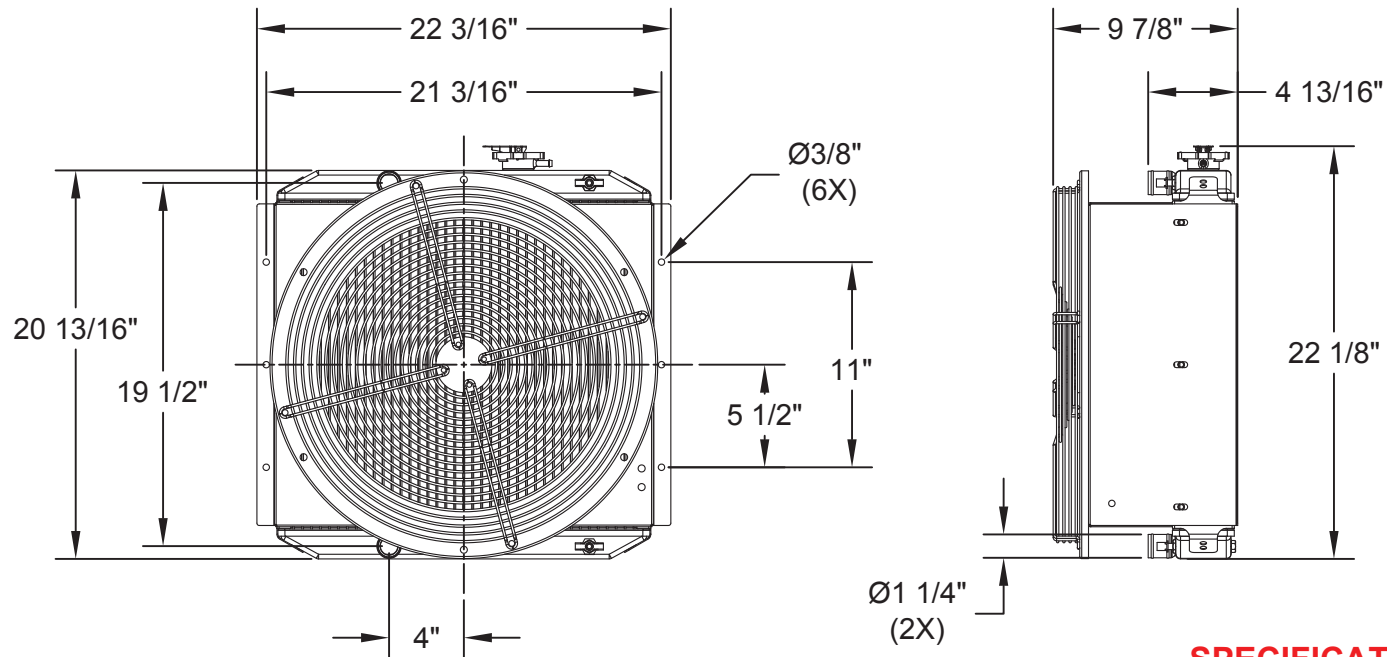
PROPRIETARY AND CONFIDENTIAL
THE INFORMATION CONTAINED IN THIS DRAWING IS THE SOLE PROPERTY OF POWER TECHNOLOGY. ANY REPRODUCTION IN PART OR AS A WHOLE WITHOUT THE WRITTEN PERMISSION OF POWER TECHNOLOGY IS PROHIBITED.



POWER TECHNOLOGY SOUTHEAST
634 STATE ROAD 44
LEESBURG, FLORIDA 34748-8102
(352) 365-2777 FAX (352) 787-5545

PROJECT: SALES DRAWING				MODEL: OPT. NARROW ENCLOSURE W/ REMOTE RADIATOR					
FINISH:				PT PART #					
MATERIAL:				DESCRIPTION: 20/25KW W/ SOUND INSULATED ENCLOSURE					
THICKNESS:				SIZE A		DWG. NO. PTK-20/25SS		REV	
DIMENSIONS ARE IN INCHES UNLESS OTHERWISE SPECIFIED				NAME		DATE			
DO NOT SCALE DRAWING				DRAWN		NDM		06/15/2016	
				NOT TO SCALE		WEIGHT: ----		SHEET 4 OF 5	

VERTICALLY MOUNTED REMOTE RADIATOR ASSEMBLY



**SPECIFICATIONS SUBJECT TO
CHANGE WITHOUT NOTICE**

This drawing was current at the time of printing. Production changes and options may result in changes that are not reflected in this drawing.

PROPRIETARY AND CONFIDENTIAL
THE INFORMATION CONTAINED IN THIS DRAWING IS THE SOLE PROPERTY OF POWER TECHNOLOGY. ANY REPRODUCTION IN PART OR AS A WHOLE WITHOUT THE WRITTEN PERMISSION OF POWER TECHNOLOGY IS PROHIBITED.



POWER TECHNOLOGY SOUTHEAST
634 STATE ROAD 44
LEESBURG, FLORIDA 34748-8102
(352) 365-2777 FAX (352) 787-5545

PROJECT: SALES DRAWING				MODEL: OPT. NARROW ENCLOSURE W/ REMOTE RADIATOR			
FINISH:				PT PART #			
MATERIAL:				DESCRIPTION: 20/25KW W/ SOUND INSULATED ENCLOSURE			
THICKNESS:				SIZE A	DWG. NO. PTK-20/25SS		REV
DIMENSIONS ARE IN INCHES UNLESS OTHERWISE SPECIFIED					NAME	DATE	
DO NOT SCALE DRAWING		DRAWN	NDM	06/15/2016	NOT TO SCALE WEIGHT: ----		SHEET 5 OF 5