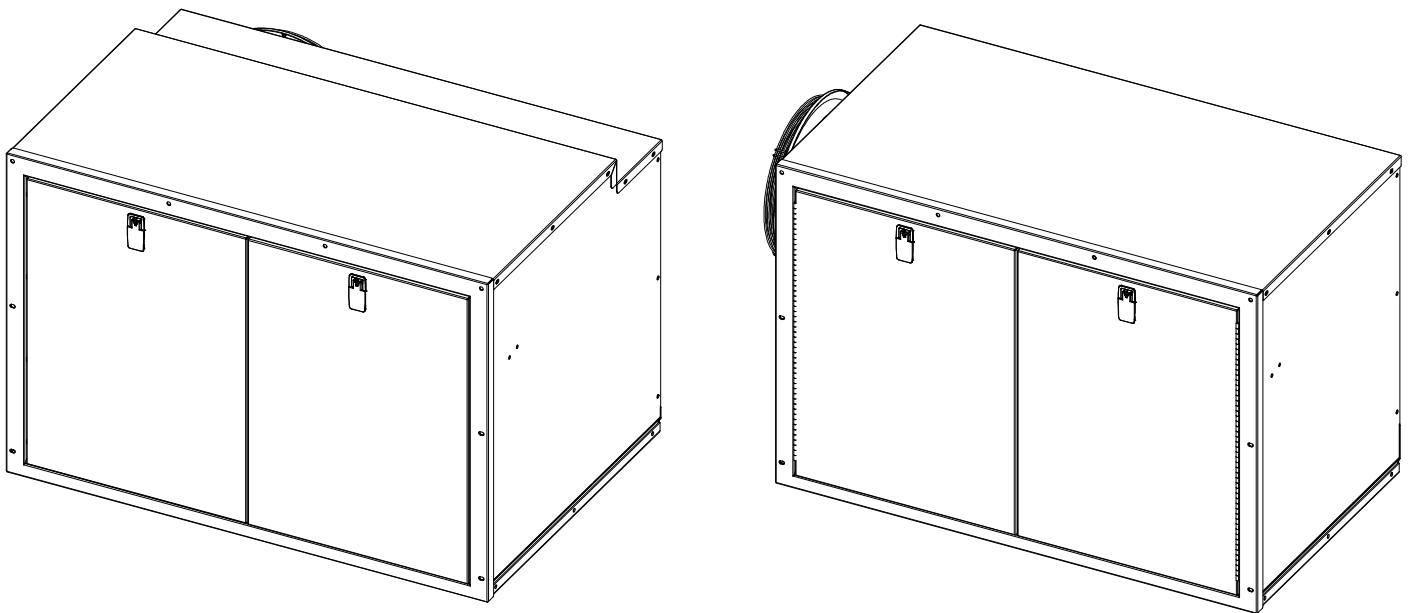




Parts List

PTK-25SS

(for Generators with Serial Numbers Beginning with "K")



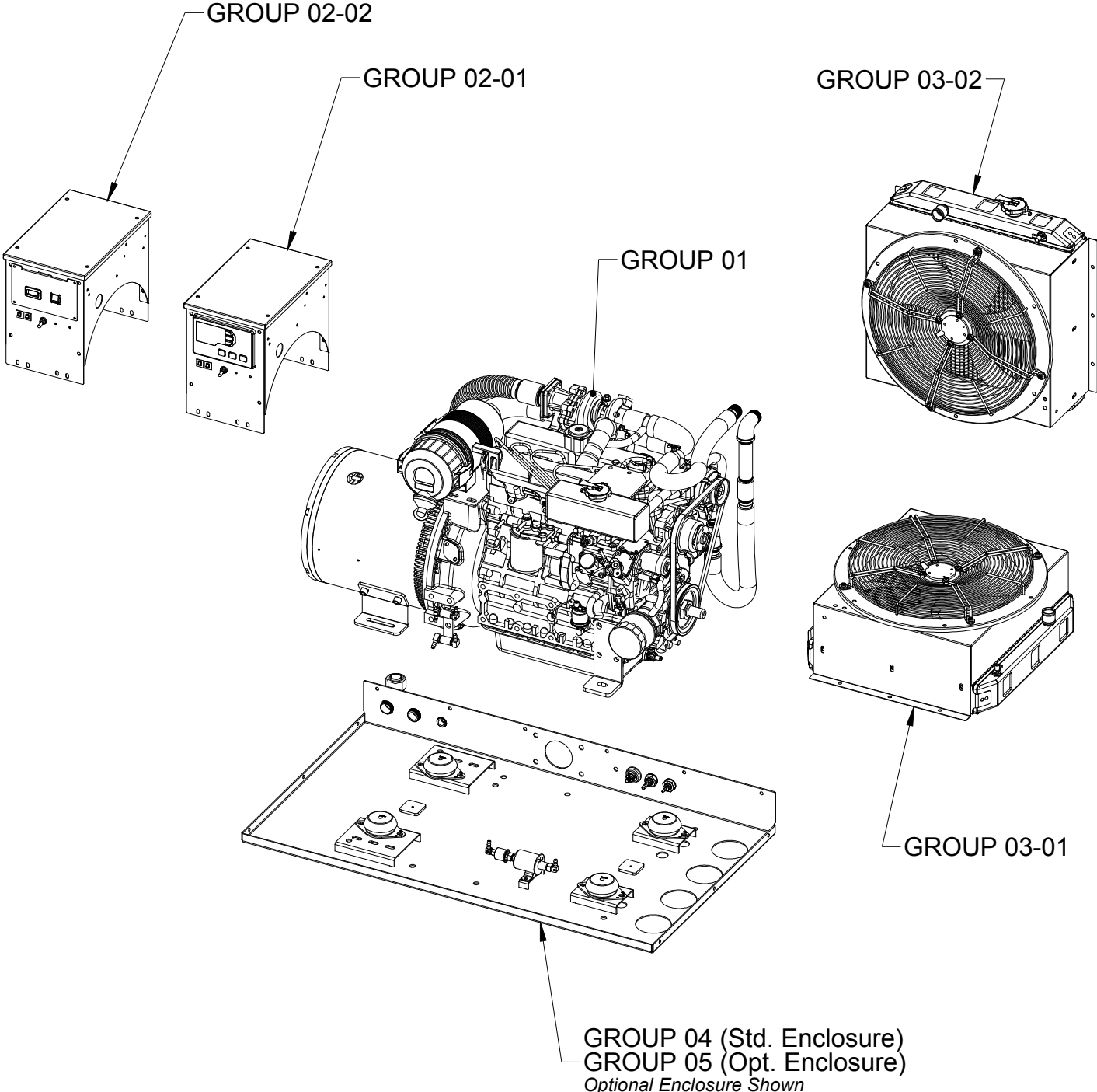
Power Technology Southeast
634 SR 44 W
Leesburg, FL 34748
Phone: 800-760-0027
Fax: 352-787-5545
www.powertechparts.com

We recommend that you contact an authorized Power Technology S.E. dealer for all maintenance and repairs of the generator. If you perform any maintenance or repairs, first disconnect the battery and/or lock out the ignition to prevent unintentional start-up. Unintentional start-up can result in serious injury and/or death.

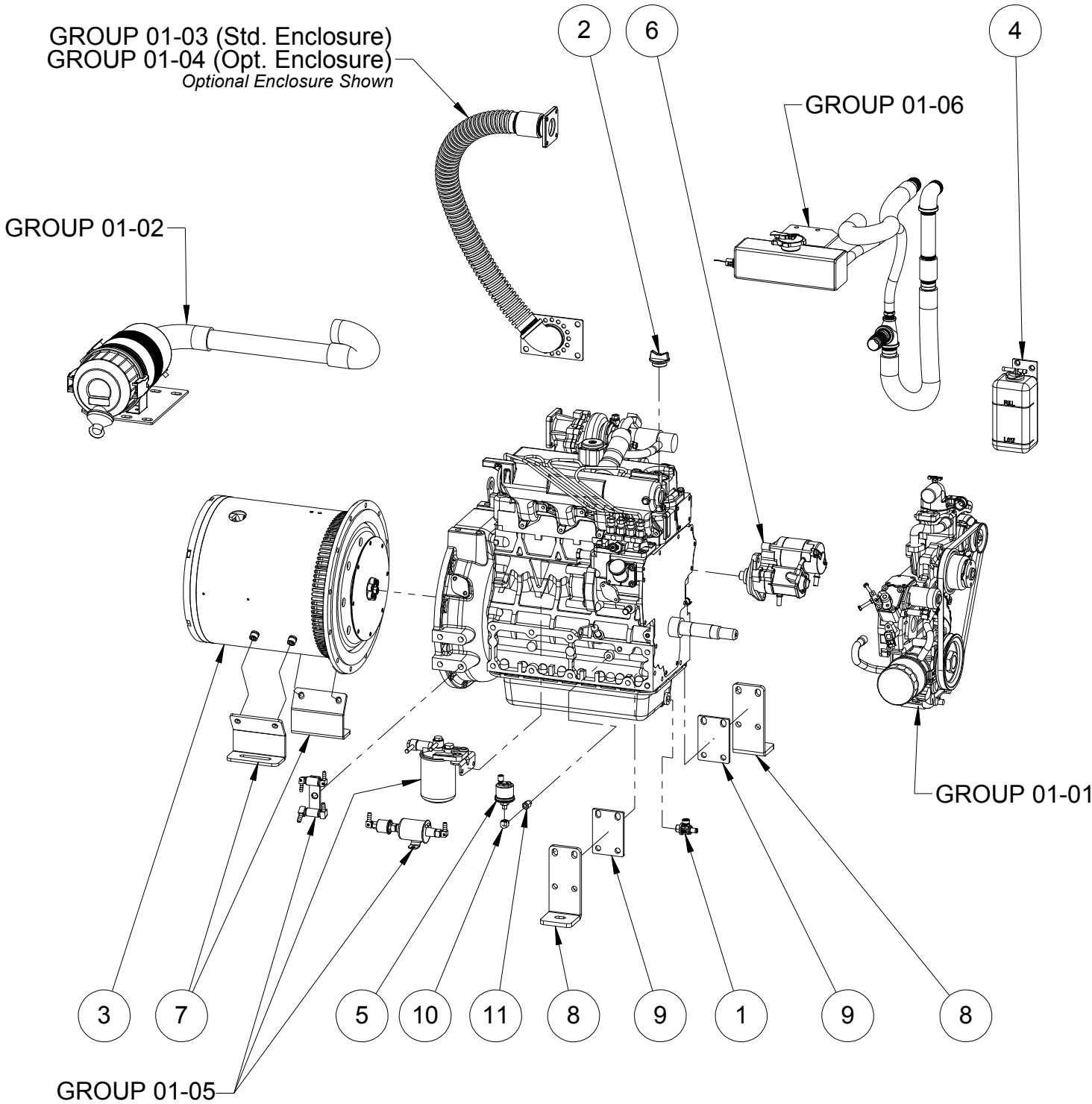
Use only Power Technology parts. Other parts may not perform as well, may damage the generator set, and may result in injury. In addition, use of other parts may void your warranty.

This parts list was current at the time of printing. Production changes and installed options may result in changes that are not covered in this parts list. Production units and associated parts are subject to change without notice. For the most up to date parts information, please contact the factory with the Power Tech model number and serial number.

Group 00 (Complete Generator)



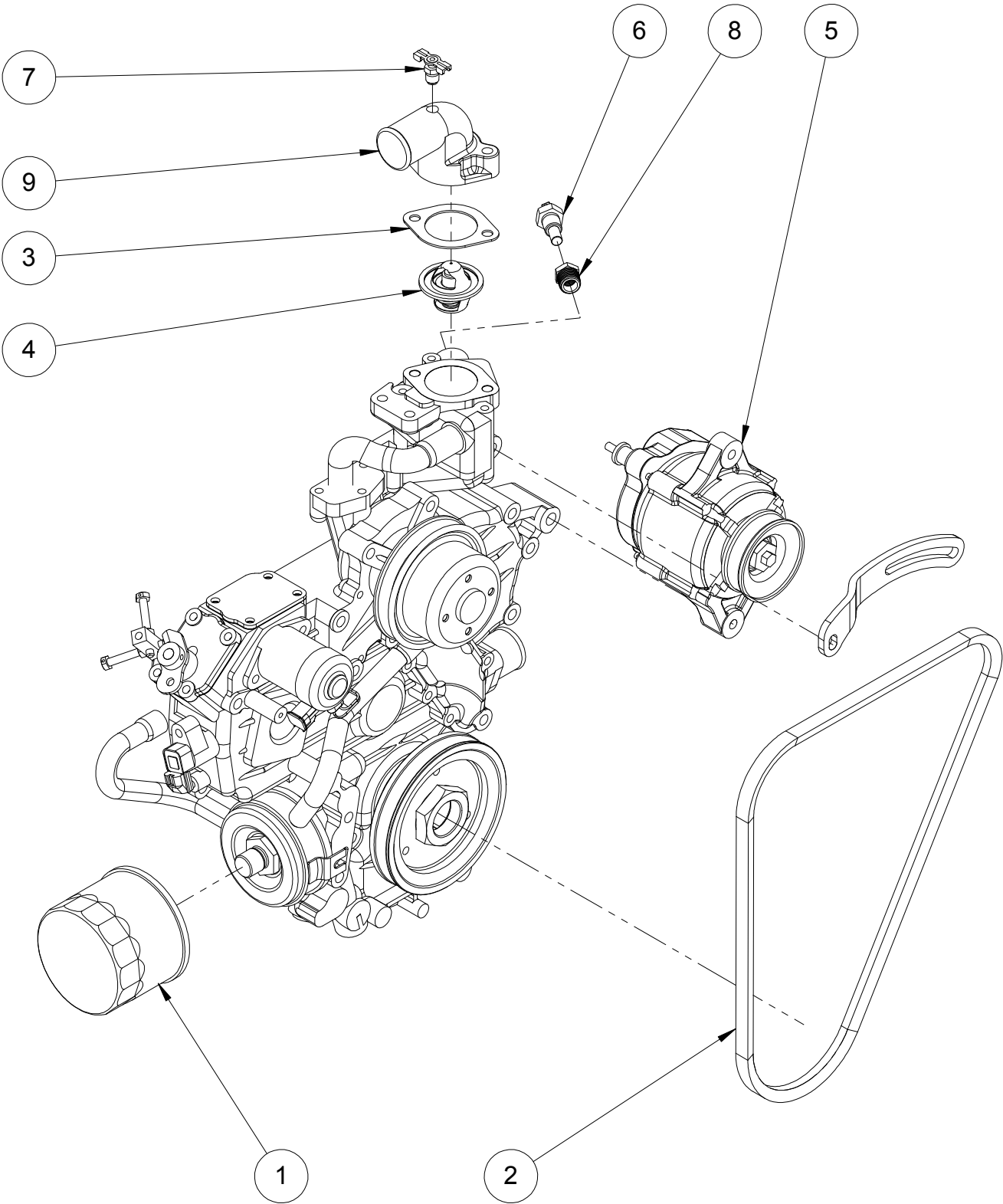
Group 01 (Engine)



Group 01 BOM (Engine)

ITEM	PART NUMBER	DESCRIPTION	QTY.
1	01F108N	VALVE, DRAIN, OIL, 16MMX1.5	1
2	01FILLCAP	CAP,OIL FILL,KUBOTA,0203	1
3	02GEN1CB25	GENERATOR, C-TYP,E 25KW, 1 PHASE, SAE4/7.5, 4WIRE	1
4	03WBKIT	KIT,BOTTLE,WATER RECOVERY,KUBOTA	1
5	05SNDO105	SENDER,PRESSURE,OIL,VDO	1
6	05STR0203NS	STARTER,11 TOOTH,KUBOTA,0203	1
7	09FTC2025	FOOT, MOUNTING, GENERATOR	2
8	09FTMS4LP	FOOT,LOWPRO,03,6 3/4"	2
9	09FTSP203	SPACER,FOOT,03	2
10	BR3400x2	ELBOW, 90°, STREET, BRASS, 1/8"	1
11	CC18J	ADAPTER, OIL, 1/8" JPT X 1/8" NPT	1

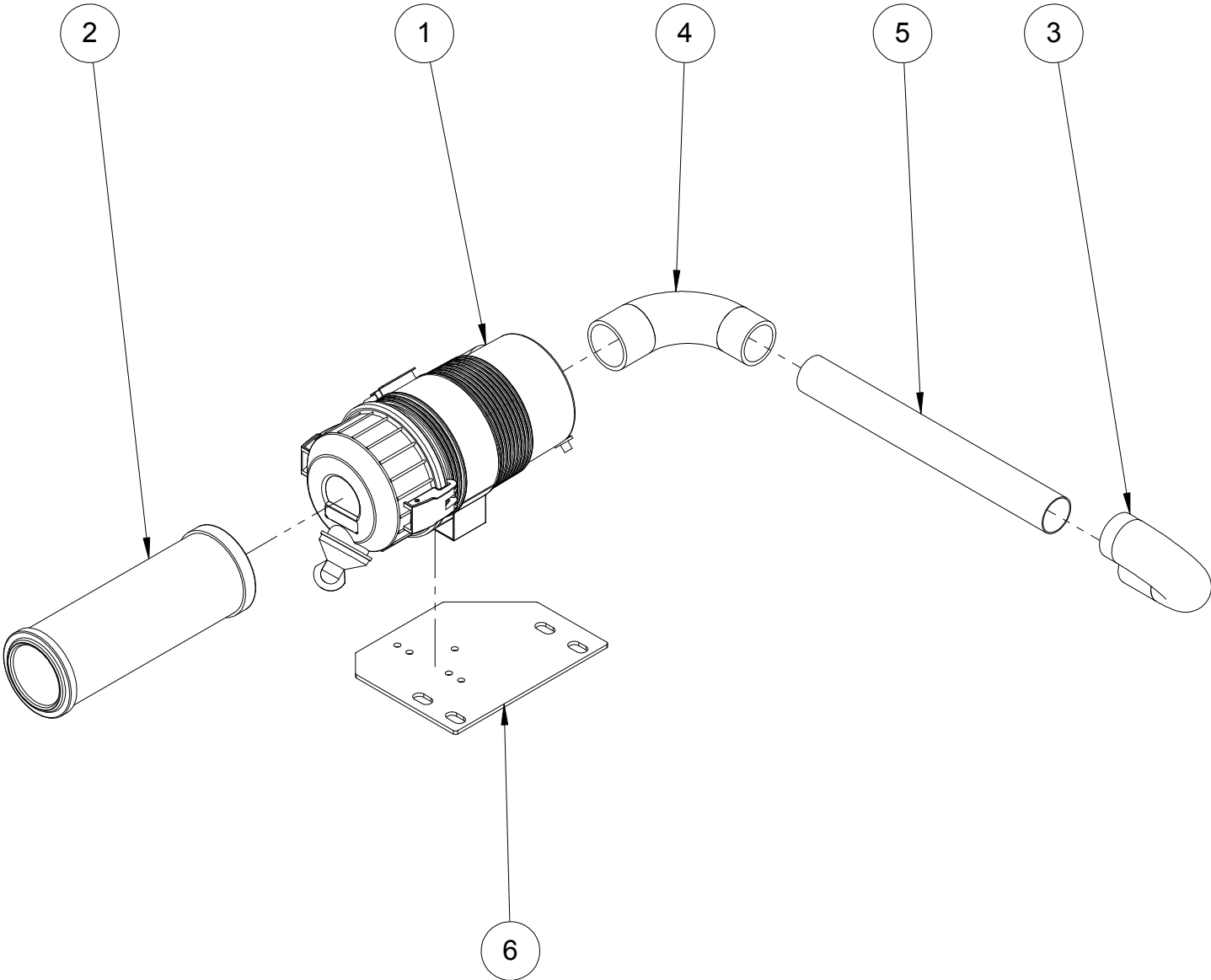
Group 01-01 (Engine Front)



Group 01-01 BOM (Engine Front)

ITEM	PART NUMBER	DESCRIPTION	QTY.
1	01FO091	FILTER,OIL,02/03,KUBOTA	1
2	03BF0203	BELT, FAN, 02/03, ALTERNATOR	1
3	03GKT0203THM	GASKET,THERMOSTAT,KUBOTA,0203	1
4	03THM0305NEW	THERMOSTAT,KUBOTA,0305	1
5	05ALT03S	ALTERNATOR, 45A, KUBOTA	1
6	05SNDT118	SENDER,TEMPERATURE,VDO	1
7	BR135	DRAIN COCK, BRASS, 1/8", STRAIGHT	1
8	BR3220X6X4	BUSHING, 3/8" X 1/4", BRASS	1
9	S-2538	HOUSING, THERMOSTAT, 02/03, WITH 1/8" TAPPING	1

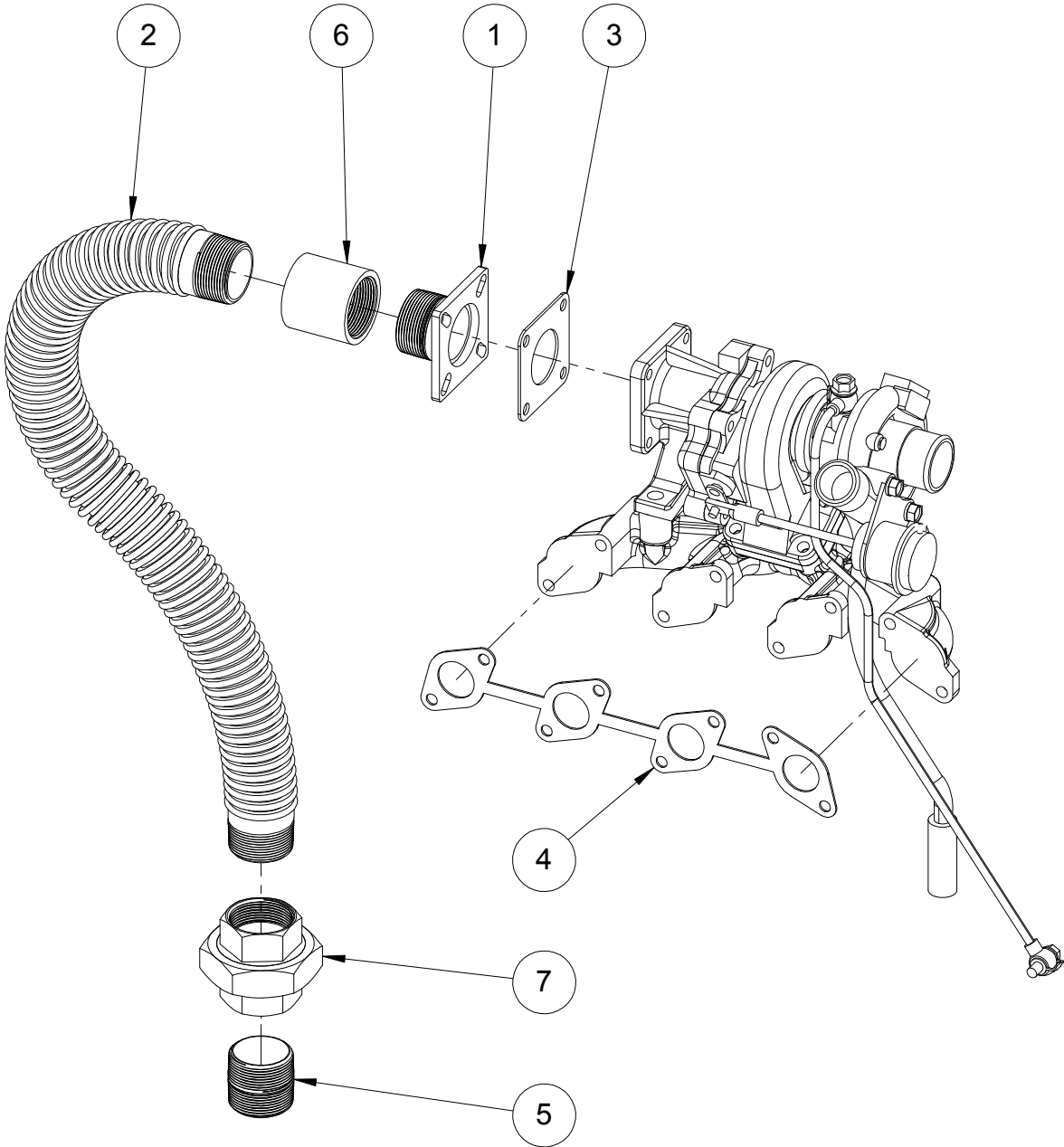
Group 01-02 (Intake)



Group 01-02 BOM (Intake)

ITEM	PART NUMBER	DESCRIPTION	QTY.
1	04AC2FW	HSG,CLEANER,AIR,W/ FILTER	1
2	04FA2E1	ELEMENT, FILTER, AIR, 15-25 KW	1
3	04HSA0923	HOSE, INTAKE, AIR, 180°, 1-3/4, (TURBO)	1
4	04HSA0924	HOSE, INTAKE, AIR, 90°, 1-3/4 X 2, (TURBO)	1
5	04IP175X15	PIPE, INTAKE, 1-3/4" X 15"	1
6	09BRKACVAN	BRACKET, FILTER, AIR, 2003T	1

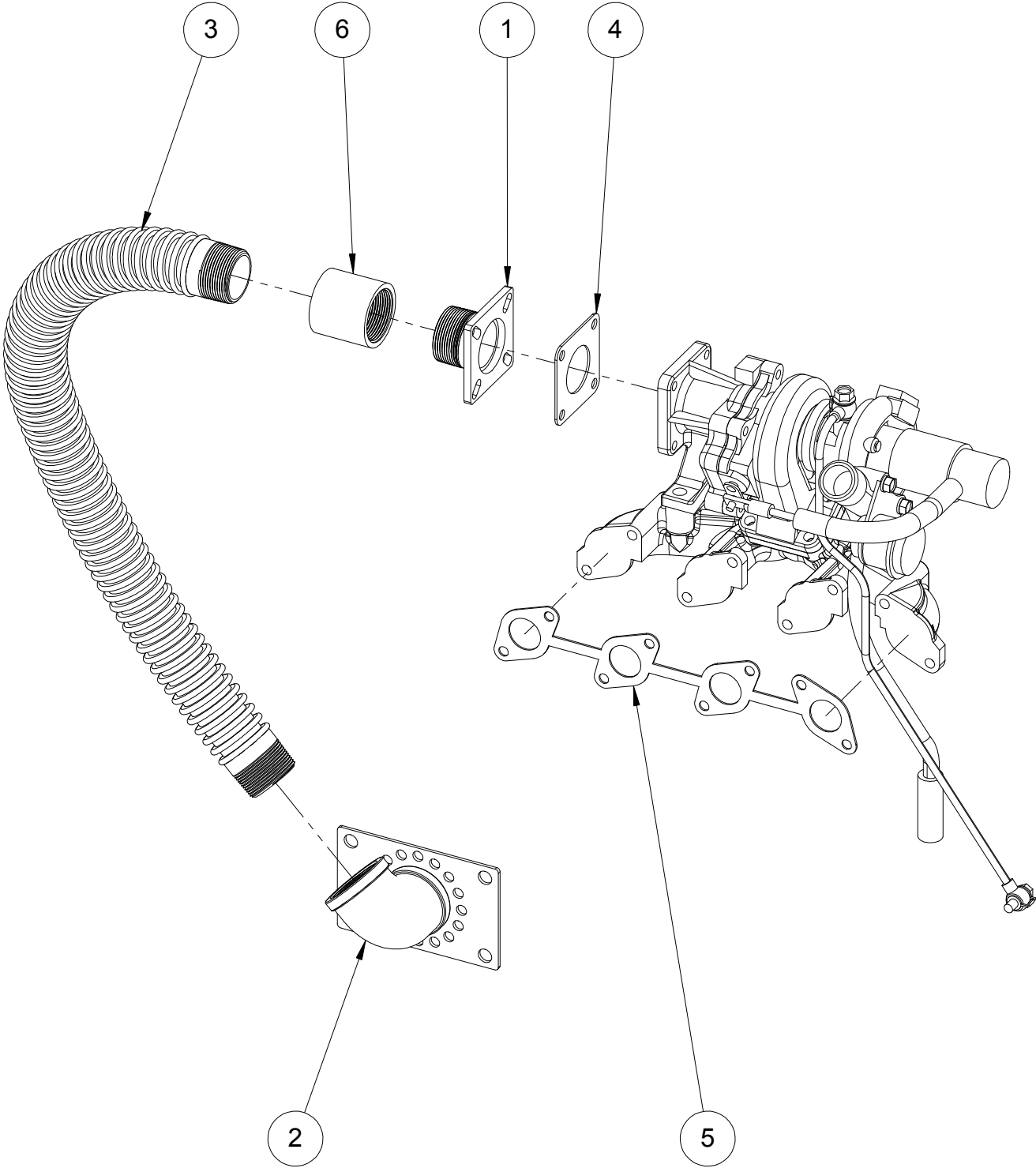
Group 01-03 (Exhaust)



Group 01-03 BOM (Exhaust)

ITEM	PART NUMBER	DESCRIPTION	QTY.
1	04EX112WSLT	FLANGE,EXHAUST,4 BOLT.SLOT,1 1/2"	1
2	04FLXP112X40	FLEXPIPE ASSY, 1-1/2" X 40"	1
3	04GKT0203EX	GASKET,FLANGE,EXHAUST,4 BOLT	1
4	04GKT265EX	GASKET,MANIFOLD,EXHAUST,KUBOTA,03	1
5	BP112CN	NIPPLE, 1-1/2", CLOSE	1
6	BP112COUP	COUPLING,MERCHANT,1 1/2"	1
7	BP112UNION	UNION, 1-1/2"	1
-	04BLK30002	BLANKET, MAINFOLD, V2003-T	1
-	04BLK30012	BLANKET, TURBO, V2003-T, 36-3800 T	1
-	04BLKF42	BLANKET, PIPE, FLEX, 42" X 2.5" ID	1

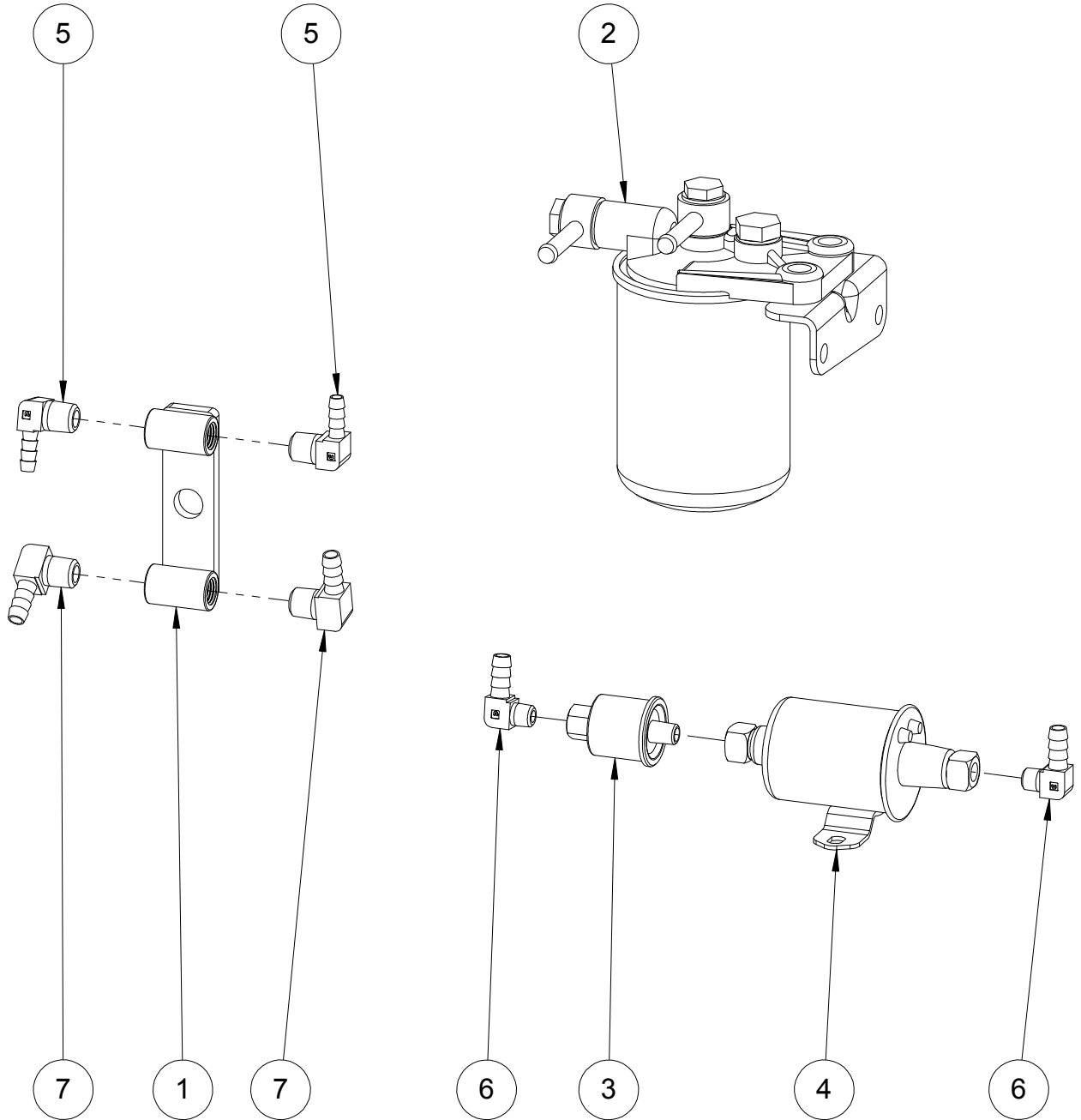
Group 01-04 (Exhaust)



Group 01-04 BOM (Exhaust)

ITEM	PART NUMBER	DESCRIPTION	QTY
1	04EX112WSLT	FLANGE,EXHAUST,4 BOLT.SLOT,1 1/2"	1
2	04EX112X90-45	FLANGE ASSY, EXH, FLOOR, VENTED, 1-1/2" X 90°, ROTATED 45°	1
3	04FLXP112X36	FLEXPIPE ASSY, 1-1/2" X 36"	1
4	04GKT0203EX	GASKET,FLANGE,EXHAUST,4 BOLT	1
5	04GKT265EX	GASKET,MANIFOLD,EXHAUST,KUBOTA,03	1
6	BP112COUP	COUPLING,MERCHANT,1 1/2"	1
-	04BLK30002	BLANKET, MAINFOLD, V2003-T	1
-	04BLK30012	BLANKET, TURBO, V2003-T, 36-3800 T	1
-	04BLKF42	BLANKET, PIPE, FLEX, 42" X 2.5" ID	1

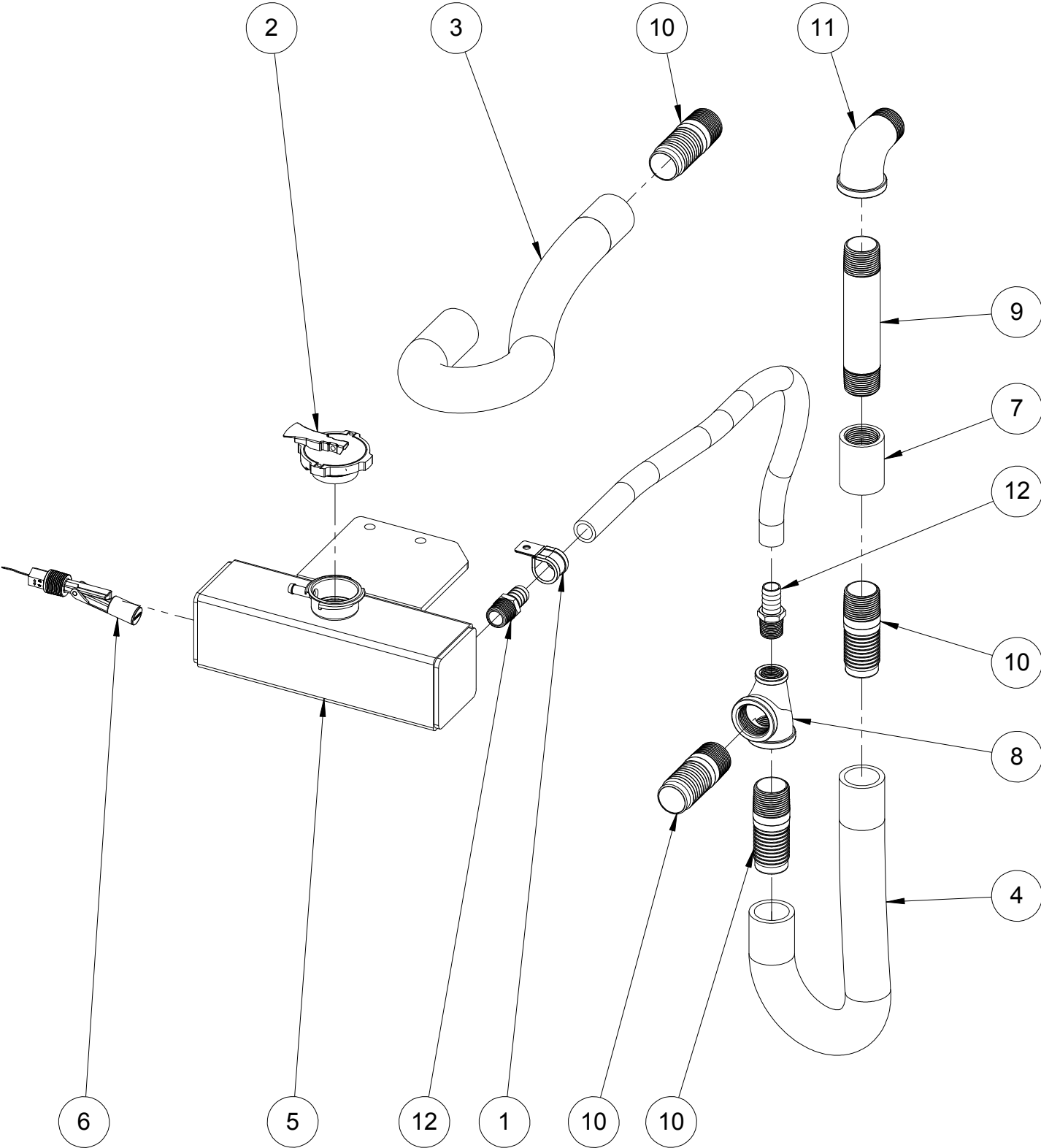
Group 01-05 (Fuel)



Group 01-05 BOM (Fuel)

ITEM	PART NUMBER	DESCRIPTION	QTY.
1	08BLKF01	BLOCK, FUEL, DOUBLE	1
2	08FFD06	KIT, FILTER, FUEL, KIT, D06	1
3	08FFG17B	FILTER, FUEL, INLINE, G17B	1
4	08PE7061	PUMP, FUEL, ELEC, 12V	1
5	BR129X4X4	BARB, HOSE, 90°, 1/4H X 1/4NPT, BRASS	2
6	BR1556	BARB, HOSE, 90°, 5/16H X 1/8NPT, BRASS	2
7	BR1557	BARB, HOSE, 90°, 5/16H X 1/4NPT, BRASS	2

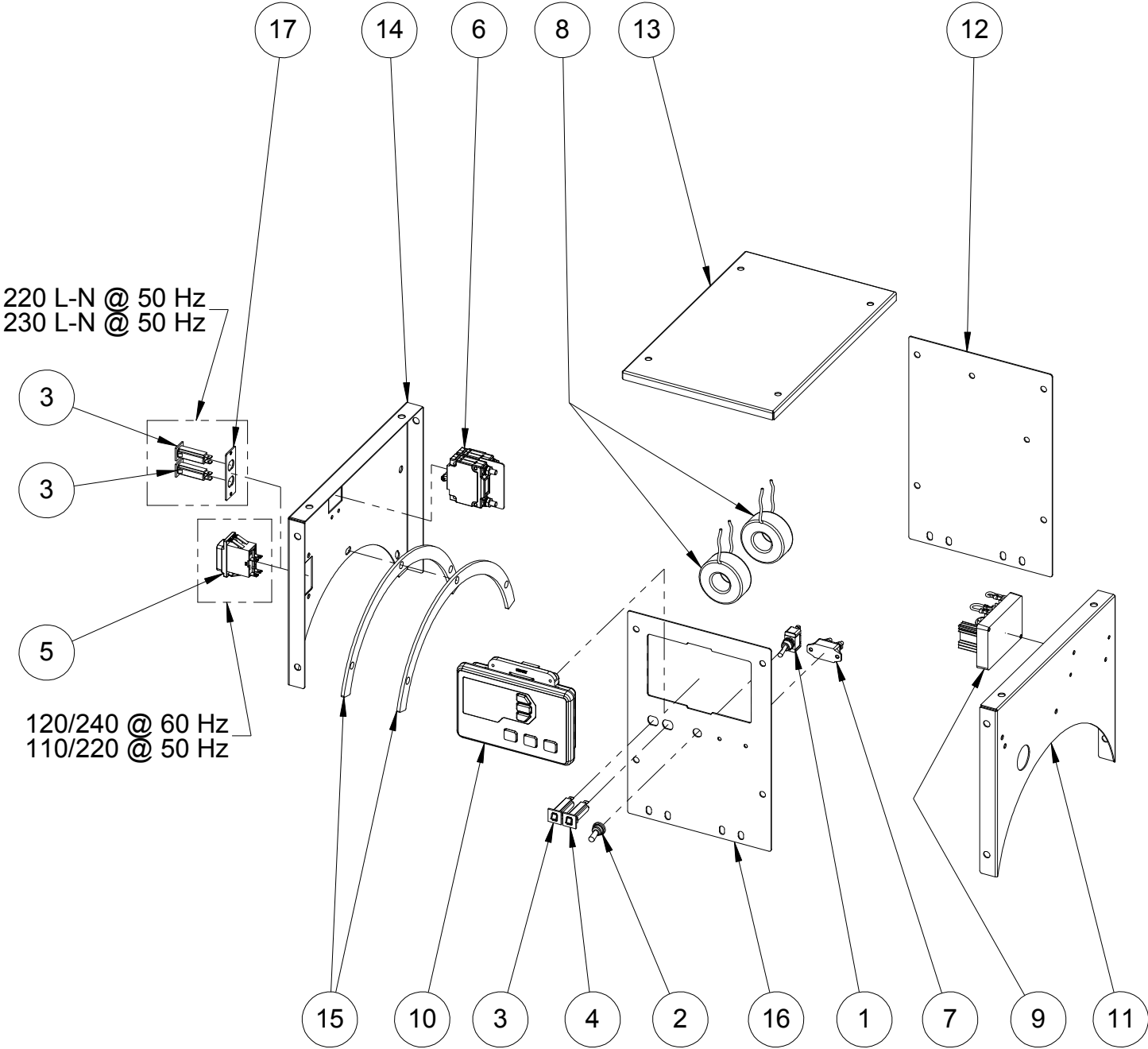
Group 01-06 (Coolant)



Group 01-06 BOM (Coolant)

ITEM	PART NUMBER	DESCRIPTION	QTY.
1	01CPG14	CLAMP, LOOP, CUSHIONED, 7/8"	1
2	03CSP13	CAP, RADIATOR, 13#, RELEASE	1
3	03HS25257	HOSE, RADIATOR, FLEX FORM, 1-1/4 X 23"	1
4	03HSFF251	HOSE, RADIATOR, FLEX FORM, 1-1/4" X 20"	1
5	03SURTNK0203	SURGE TANK	1
6	05SLW	SWITCH, LEVEL, WATER, SHUT DOWN, FLOAT	1
7	BP1COUP	COUPLING, FULL, 1"	1
8	BP1X1X12T	TEE, 1" x 1/2" x 1"	1
9	BP1X6N	NIPPLE, 1" X 6"	1
10	BP114X1KN	NIPPLE, KING, 1" NPTM X 1-1/4" H	4
11	BPG1X90SL	ELBOW, STREET, 90°, 1", GALV	1
12	BR58HX12MP	BARB, HOSE, 5/8" H X 1/2" NPTM, BRASS	2

Group 02-01 (Controls)

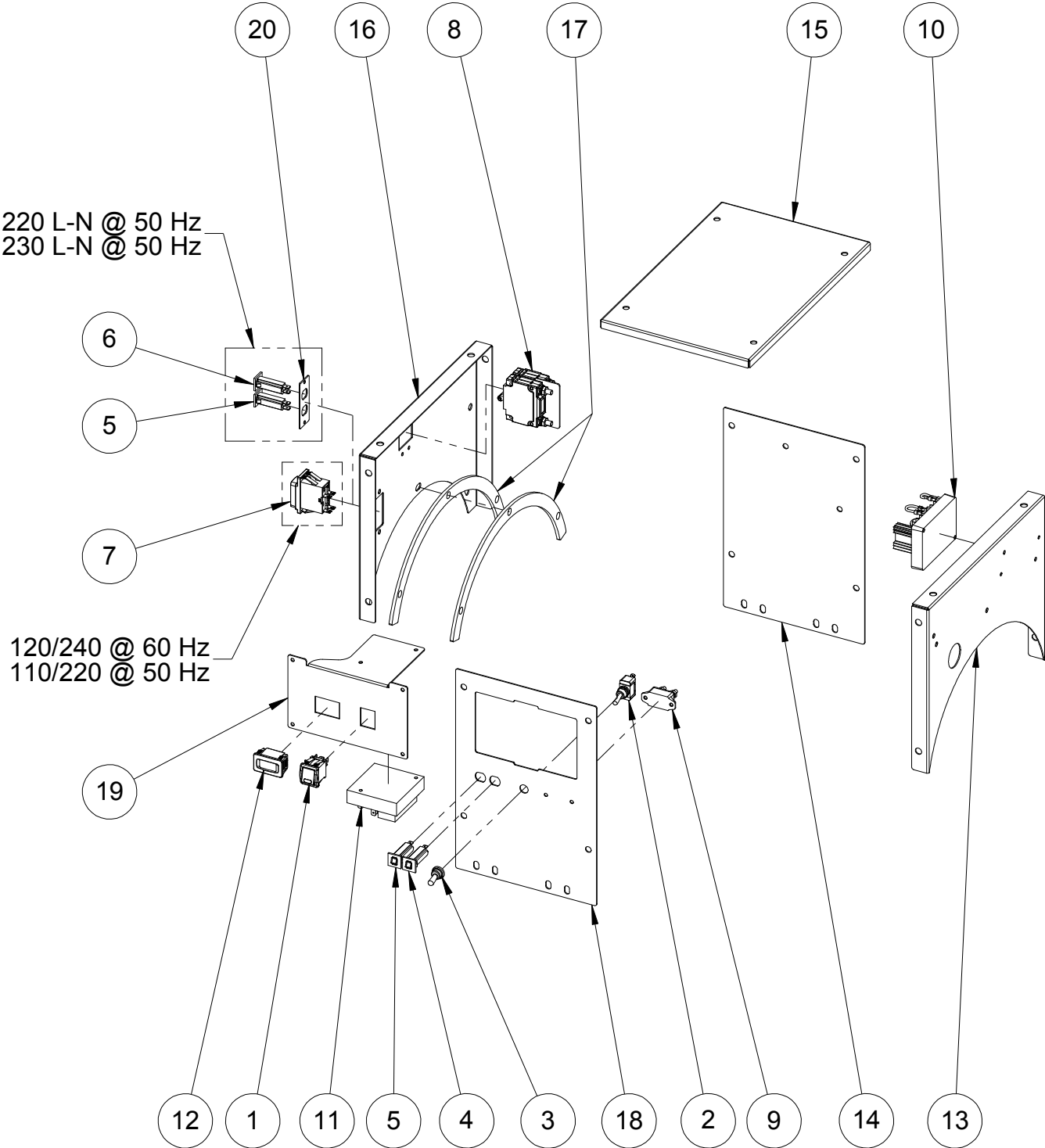


Group 02-01 BOM (Controls)

ITEM	PART NUMBER	DESCRIPTION	QTY.
1	05STOGONOFF	SWITCH, TOGGLE, ON/OFF, 2 POLE	1
2	05TOGBOOT	BOOT, SWITCH, TOGGLE	1
3	06BR4A-RESEW28	BREAKER,4A,RESET,ROCKER	3
4	06BR5A-RESEW28	BREAKER, 5A, RESET, ROCKER	1
5	06BR10R	BREAKER, 10A, ROCKER	1
6	06BR100A2PCA	BREAKER, 100AMP, 2P, CA	1
7	06BR401P12V	BREAKER, 40A, 12VDC	1
8	06CT1005	TRANSFORMER, CURRENT, 100:5	2
9	06REG634AVC	REGULATOR, BASLER, 63-4 AVC	1
10	07TG410	CONTROLLER, ELECTRONIC, PTG410	1
	07TG350*	CONTROLLER, ELECTRONIC, PTG350	
11	S-1825	CONTROL BOX FRONT	1
12	S-1827	CONTROL BOX LEFT	1
13	S-1829	CONTROL BOX TOP	1
14	S-2054	PANEL,CONTROL BOX,BACK	1
15	S-2055	SPACER,CONTROL BOX	2
16	S-2609	PANEL, SIDE, SERVICE, BOX, CONTROL	1
17	S-2879	PLATE, COVER, BREAKER, 2 POSITION	1
-	07HRN5003K48-TG	HARNESS, ENGINE, TG , 48 INCH PIGTAIL	1
-	07HRNCON03M	HARNESS, GOVERNOR, KUBOTA, 03M, 60 Hz	1
-	07LACTG	PPIGTAIL, SENSING, AC, TG SERIES	1

* = OPTIONAL

Group 02-02 (Controls)

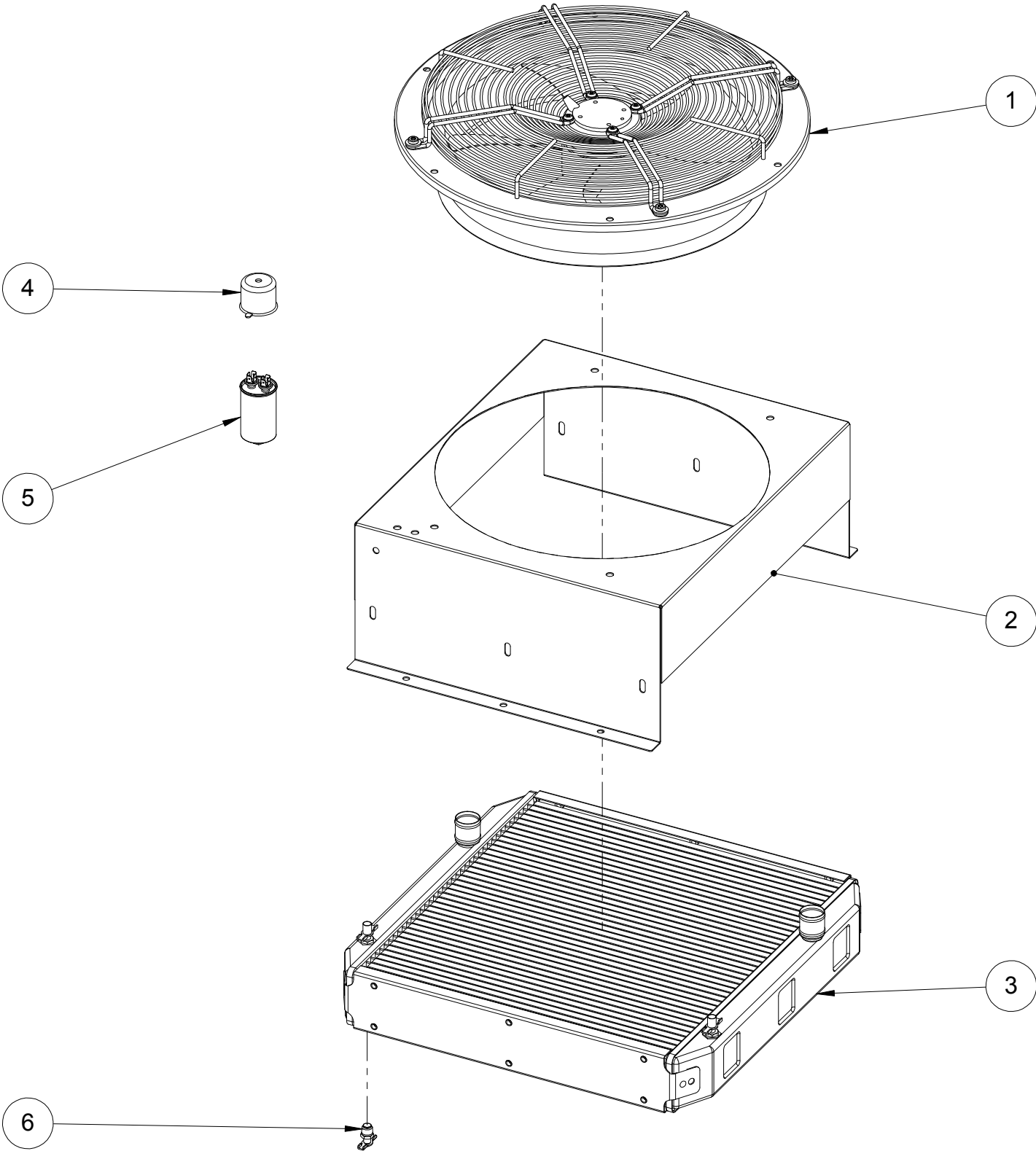


Group 02-02 BOM (Controls)

ITEM	PART NUMBER	DESCRIPTION	QTY.
1	05SR	SWITCH, ROCKER, MOM, LIGHT, START/STOP	1
	05SRMT*	SWITCH, ROCKER, MAINTAINED, W/ ROUND LED	
2	05STOGONOFF	SWITCH, TOGGLE, ON/OFF, 2 POLE	1
3	05TOGBOOT	BOOT, SWITCH, TOGGLE	1
4	06BR1A-RESEW28	BREAKER, 1A, RESET, ROCKER	1
5	06BR4A-RESEW28	BREAKER,4A,RESET,ROCKER	2
6	06BR5A-RESEW28	BREAKER, 5A, RESET, ROCKER	1
7	06BR10R	BREAKER, 10A, ROCKER	1
8	06BR100A2PCA	BREAKER, 100AMP, 2P, CA	1
9	06BR401P12V	BREAKER, 40A, 12VDC	1
10	06REG634AVC	REGULATOR, BASLER, 63-4 AVC	1
11	07CONECU63	CONTROLLER, ENGINE, ECU 63, MOMENTARY	1
	07CONECU64*	CONTROLLER, ECU-64F, MAINTAIN	
12	07MHR-DIGITAL	METER, HOUR, DIGITAL, RECTANGLE	1
13	S-1825	CONTROL BOX FRONT	1
14	S-1827	CONTROL BOX LEFT	1
15	S-1829	CONTROL BOX TOP	1
16	S-2054	PANEL,CONTROL BOX,BACK	1
17	S-2055	SPACER,CONTROL BOX	2
18	S-2609	PANEL, SIDE, SERVICE, BOX, CONTROL	1
19	S-2862	BRACKET, CONVERSION, TG TO ECU, 15-UP	1
20	S-2879	PLATE, COVER, BREAKER, 2 POSITION	1
-	07HRN5003K48	HARNES, ENGINE, 03, ECU, 48" REMOTE CONNECTOR	1

* = OPTIONAL

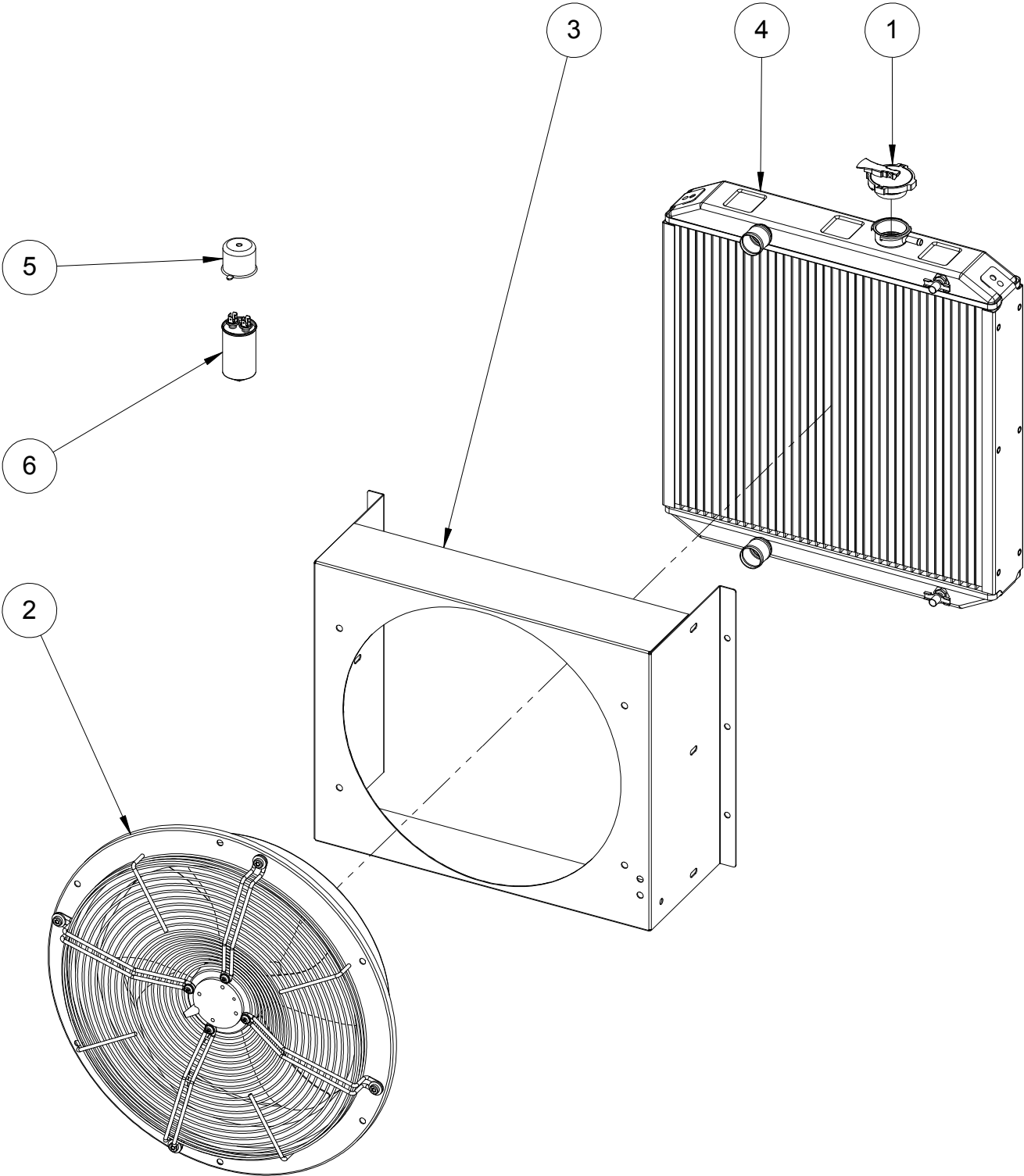
Group 03-01 (Hrz Radiator)



Group 03-01 BOM (Hrz Radiator)

ITEM	PART NUMBER	DESCRIPTION	QTY.
1	03FANW4E400-CP02-71	FAN, ELECTRIC, EBM, LARGE, PUSHER	1
2	03FSEBM130	SHROUD, FAN, 130-1, EBM, LARGE	1
3	03RAD1301	RADIATOR, REMOTE, 130-1, 1-1/4"	1
4	06CBEBM	BOOT, CAPACITOR, EBM	1
5	06CEBM	CAPACITOR, EBM, 6 uF	1
6	BR145	DRAIN COCK, STRAIGHT, 1/4", BRASS	1

Group 03-01 (Vert Radiator)

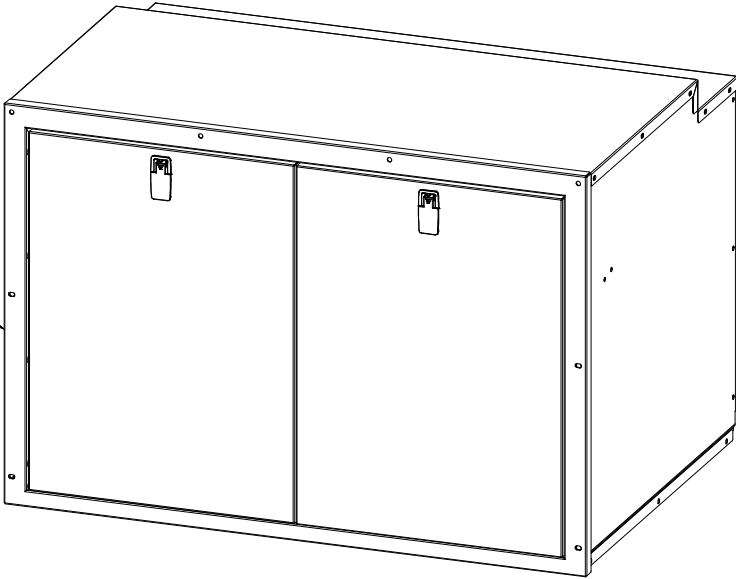


Group 03-01 BOM (Vrt Radiator)

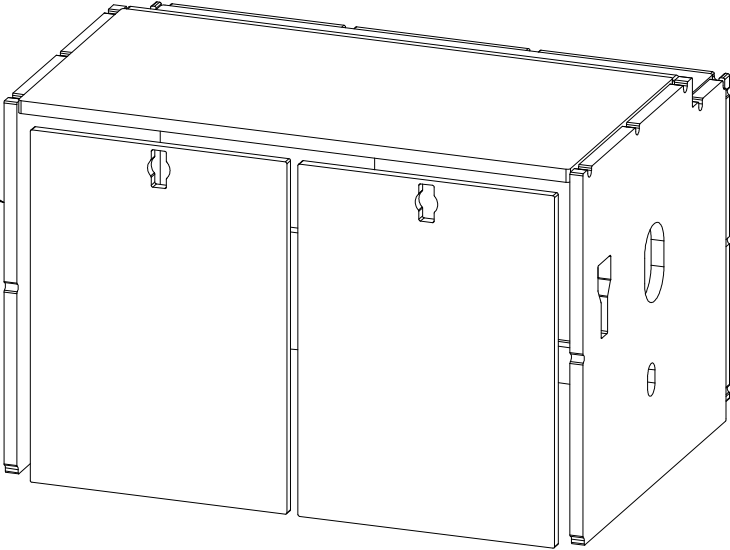
ITEM	PART NUMBER	DESCRIPTION	QTY.
1	03CSP13	CAP, RADIATOR, 13#, RELEASE	1
2	03FANW4E400-CP02-71	FAN, ELECTRIC, EBM, LARGE, PUSHER	1
3	03FSEBM130	SHROUD, FAN, 130-1, EBM, LARGE	1
4	03RAD1301-RC	RADIATOR, 130-1	1
5	06CBEBM	BOOT, CAPACITOR, EBM	1
6	06CEBM	CAPACITOR, EBM, 6 uF	1

Group 04 (Std. Enclosure)

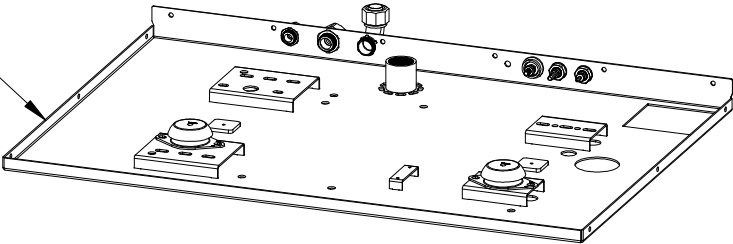
GROUP 04-02



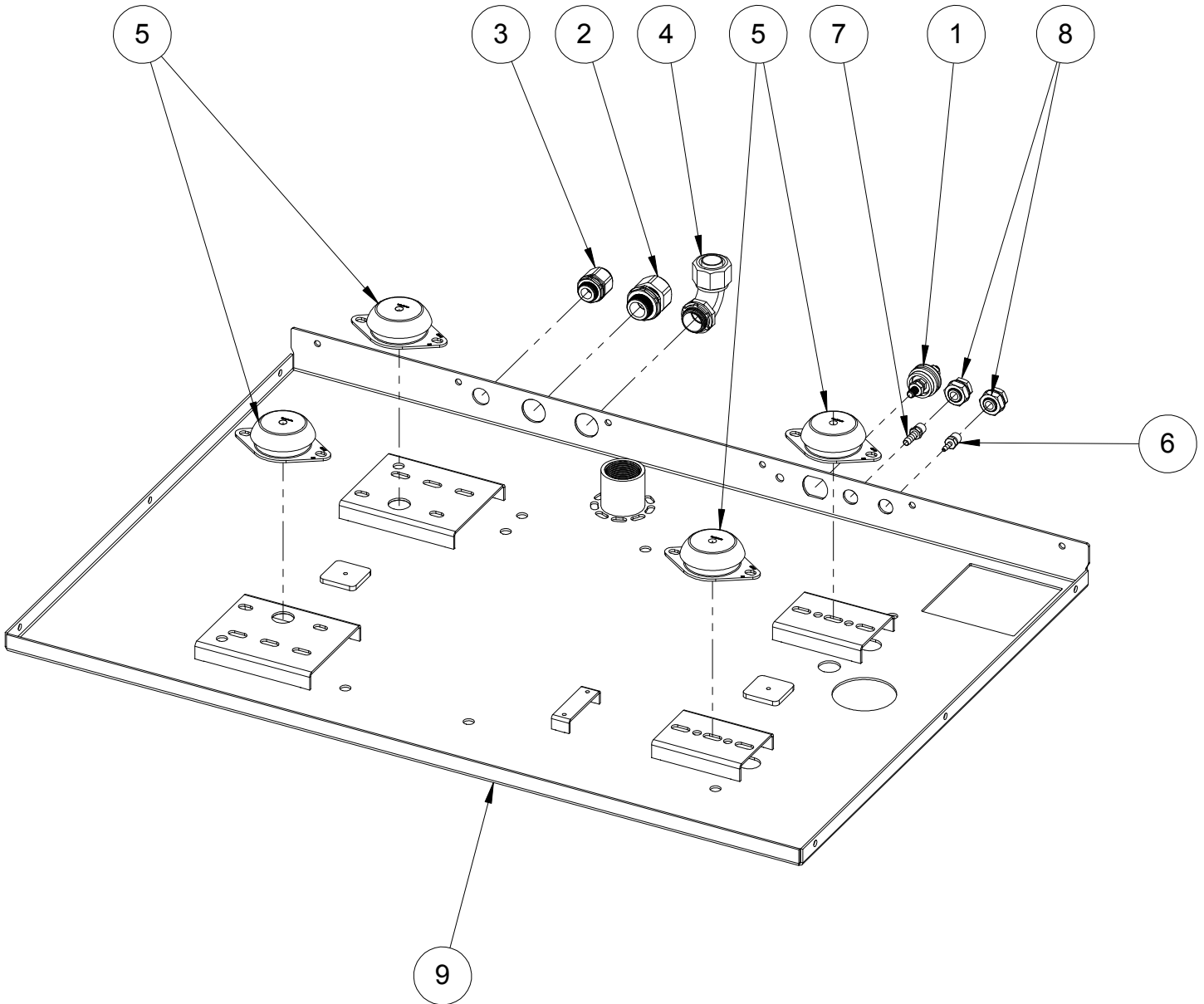
GROUP 04-03



GROUP 04-01



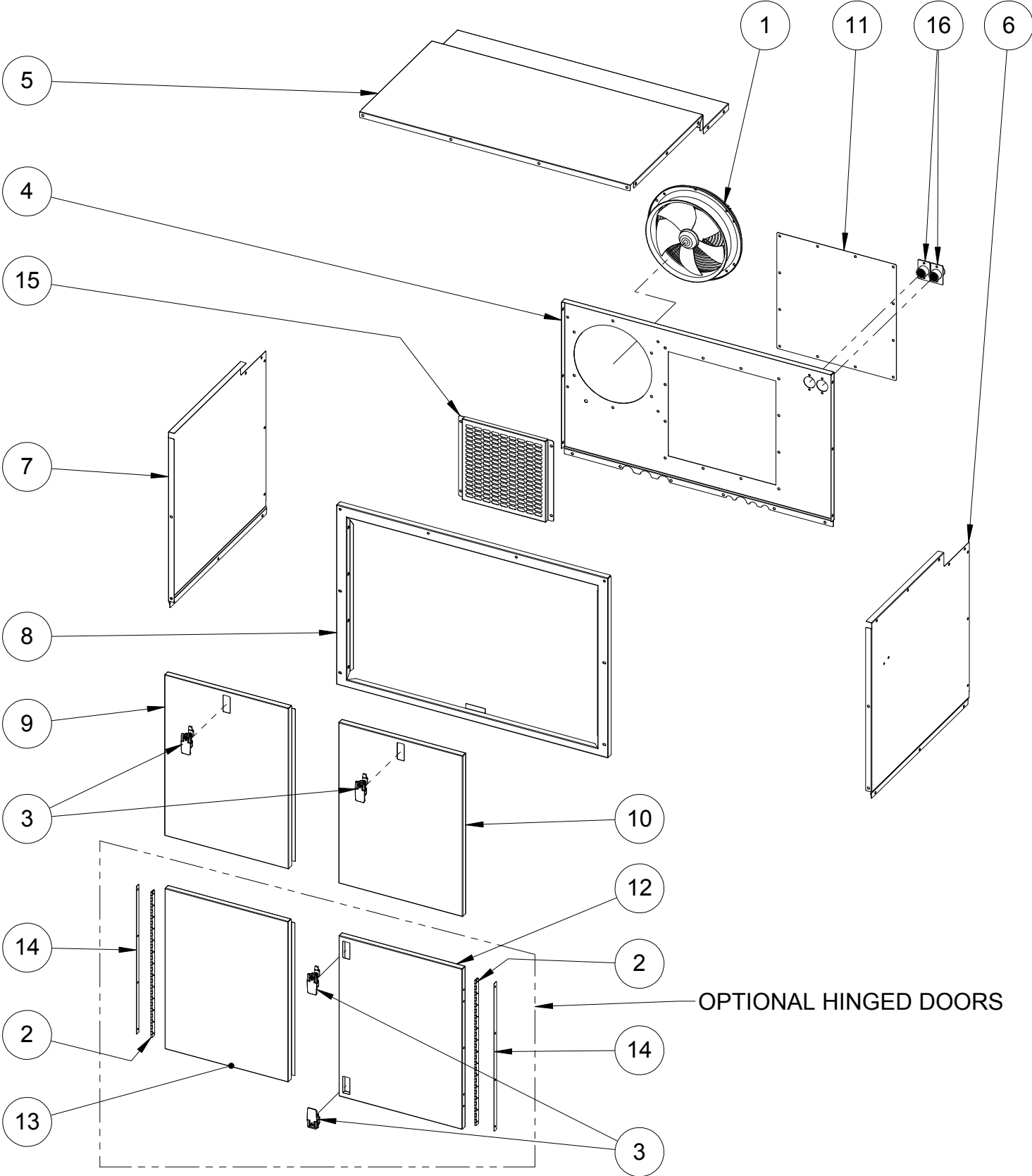
Group 04-01 (Base Pan)



Group 04-01 BOM (Base Pan)

ITEM	PART NUMBER	DESCRIPTION	QTY.
1	05BATISOL	ISOLATOR, BATTERY, POSITIVE	1
2	06CG1	GRIP, CORD 1"	1
3	06CG34	GRIP, CORD, 3/4"	1
4	07CF1X90	CONNECTOR, CONDUIT, LIQUID TIGHT, 1" X 90°	1
5	09MNT50	MOUNT, ENGINE, 50	4
6	BR316HX14MP	BARB, HOSE, 3/16H X 1/4NPT, BRASS	1
7	BR516HX14MP	BARB, HOSE, 5/16H X 1/4NPT, BRASS	1
8	BRW21204	BULKHEAD,BRASS,SHORT	2
9	SA-1016	BASE ASSY, PAN, SS BOX, NOTCHED	1

Group 04-02 (Sheetmetal)

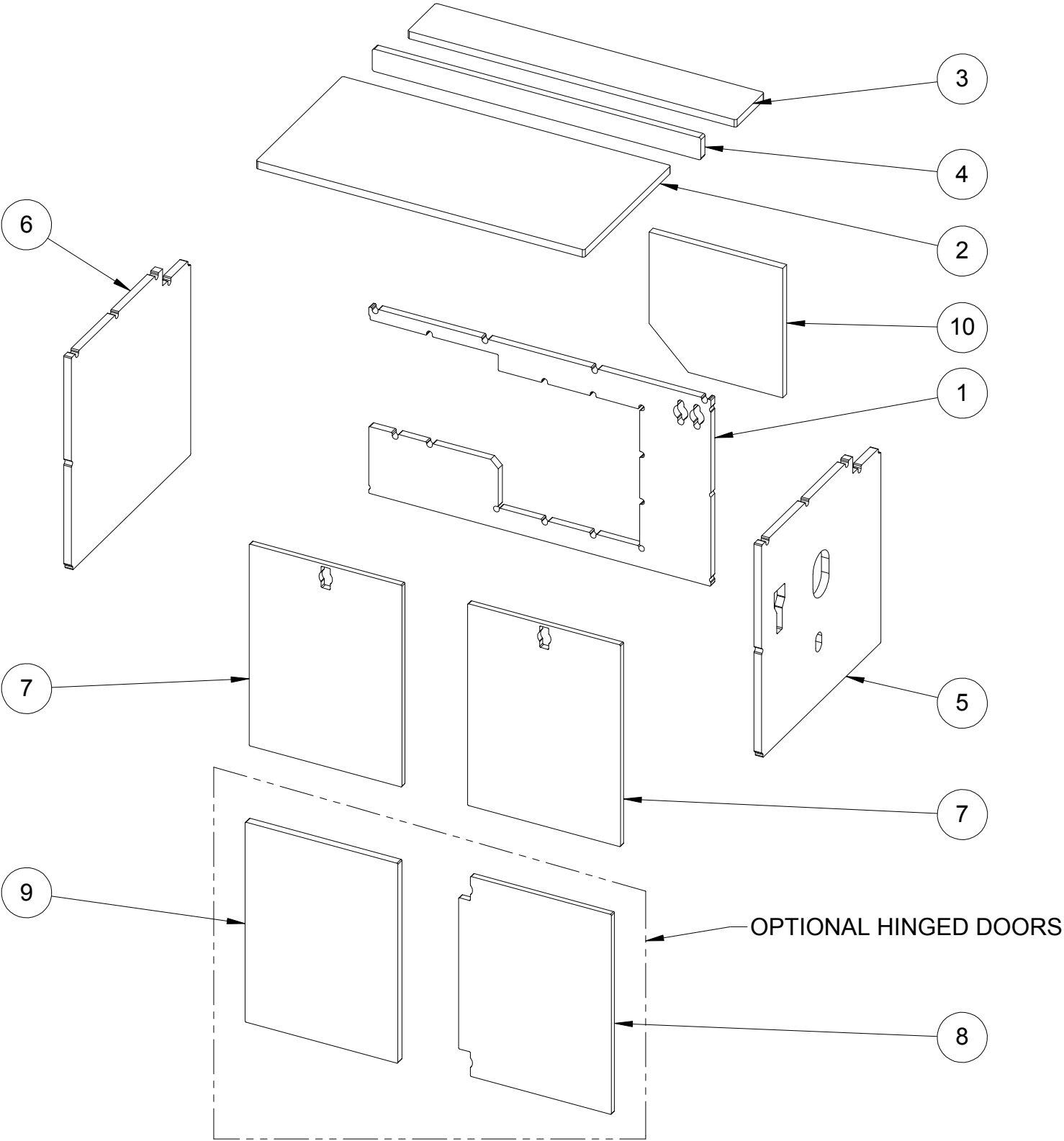


Group 04-02 BOM (Sheetmetal)

ITEM	PART NUMBER	DESCRIPTION	QTY.
1	03FANW4E315	FAN, ELECTRIC, EBM, SMALL, PUSHER, 120V	1
2	09HINGESS*	HINGE, STAINLESS, STEEL	2 X 25"
3	09LTC10	LATCH, FLUSH MOUNT	2
4	S-1418A	PANEL, SIDE, NON-SERVICE, SS, NOTCHED, BLADE FAN	1
5	S-1419	TOP PANEL	1
6	S-1420	RIGHT SIDE PANEL	1
7	S-1421	LEFT SIDE PANEL	1
8	S-1422	FACE, DOOR, SS BOX	1
9	S-1423B	DOOR, LEFT, DROP-IN, BRUSHED	1
	S-1423P*	DOOR, LEFT, DROP-IN, POLISHED	
10	S-1424B	DOOR, RIGHT, DROP-IN, BRUSHED	1
	S-1424P	DOOR, RIGHT, DROP-IN, POLISHED	
11	S-1425	PANEL, ACCESS	1
12	S-1430B*	DOOR, RIGHT, HINGED, BRUSHED	1
	S-1430P*	DOOR, RIGHT, HINGED, POLISHED	
13	S-1431B*	DOOR, LEFT, HINGED, BRUSHED	1
	S-1431P*	DOOR, LEFT, HINGED, POLISHED	
14	S-1432*	BAR, NUT	2
15	S-1678	GUARD, FAN, EBM, SS	1
16	SA-1024	FLANGE ASSY, WATER, SINGLE, 1"	2

* = OPTIONAL

Group 04-03 (Sound Foam)



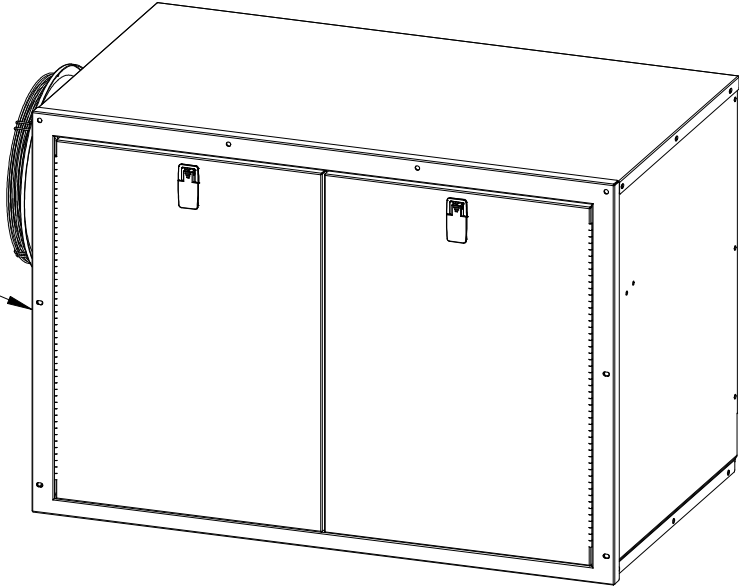
Group 04-03 BOM (Sound Foam)

ITEM	PART NUMBER	DESCRIPTION	QTY.
1	S-1418A-SF	FOAM, SOUND, SIDE, NON-SERVICE, SS, NOTCHED, BLADE FAN	1
2	S-1419-SF	FOAM, SOUND, TOP, FRONT, SS, NOTCHED	1
3	S-1419-SF-2	FOAM, SOUND, TOP, REAR, SS, NOTCHED	1
4	S-1419-SF-3	FOAM, SOUND, TOP, MIDDLE, SS, NOTCHED	1
5	S-1420-SF	FOAM, SOUND, SIDE, RIGHT, SS, NOTCHED	1
6	S-1421-SF	FOAM, SOUND, SIDE, LEFT, SS, NOTCHED	1
7	S-1423-SF	FOAM, SOUND, DOOR, DROP IN	2
8	S-1430-SF*	FOAM, SOUND, DOOR, HINGED, RIGHT	1
9	S-1431-SF*	FOAM, SOUND, DOOR, HINGED, LEFT	1
10	S-1434-SF-2	FOAM, SOUND, PANEL, ACCESS, SS, NARROW	1

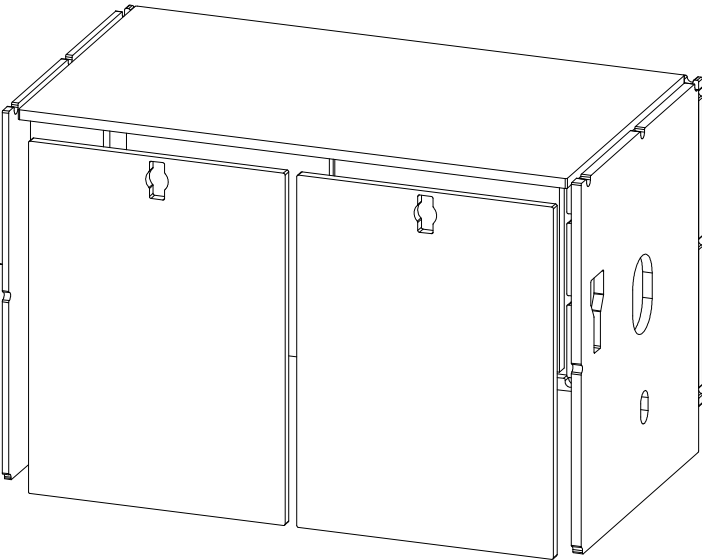
* = OPTIONAL

Group 05 (Opt. Enclosure)

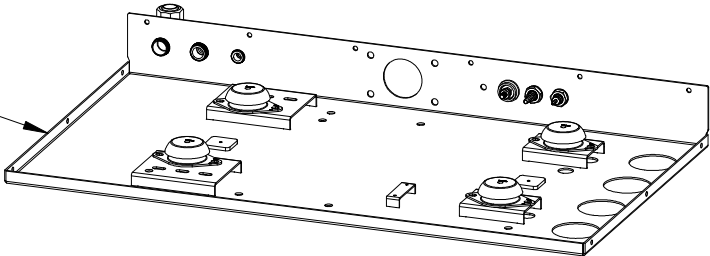
GROUP 05-02



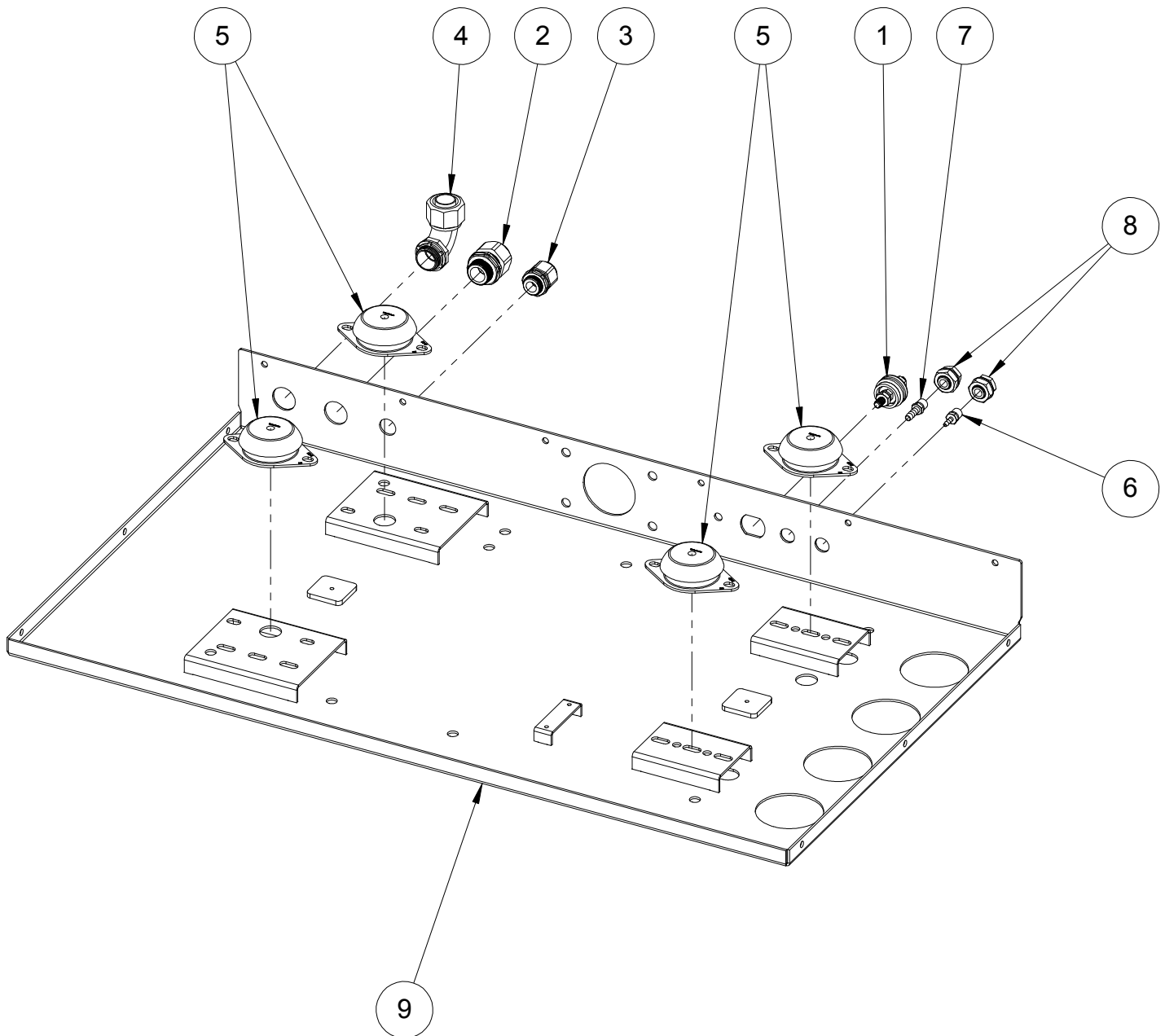
GROUP 05-03



GROUP 05-01



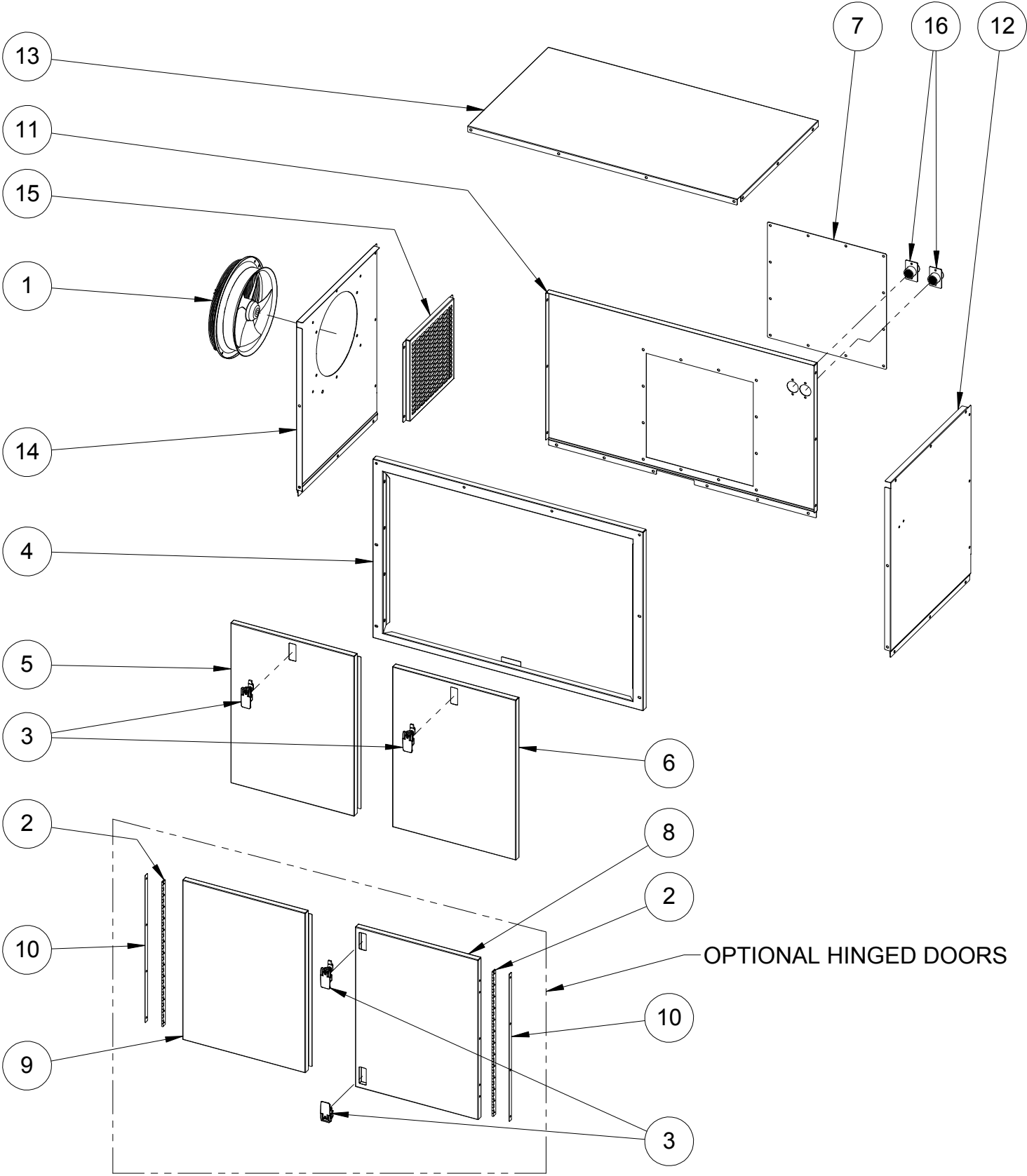
Group 05-01 (Base Pan)



Group 05-01 BOM (Base Pan)

ITEM	PART NUMBER	DESCRIPTION	QTY.
1	05BATISOL	ISOLATOR, BATTERY, POSITIVE	1
2	06CG1	GRIP, CORD 1"	1
3	06CG34	GRIP, CORD, 3/4"	1
4	07CF1X90	CONNECTOR, CONDUIT, LIQUID TIGHT, 1" X 90°	1
5	09MNT50	MOUNT, ENGINE, 50	4
6	BR316HX14MP	BARB, HOSE, 3/16H X 1/4NPT, BRASS	1
7	BR516HX14MP	BARB, HOSE, 5/16H X 1/4NPT, BRASS	1
8	BRW21204	BULKHEAD,BRASS,SHORT	2
9	SA-1017	BASE ASSY, PAN, SS BOX, NARROW	1

Group 05-02 (Sheetmetal)

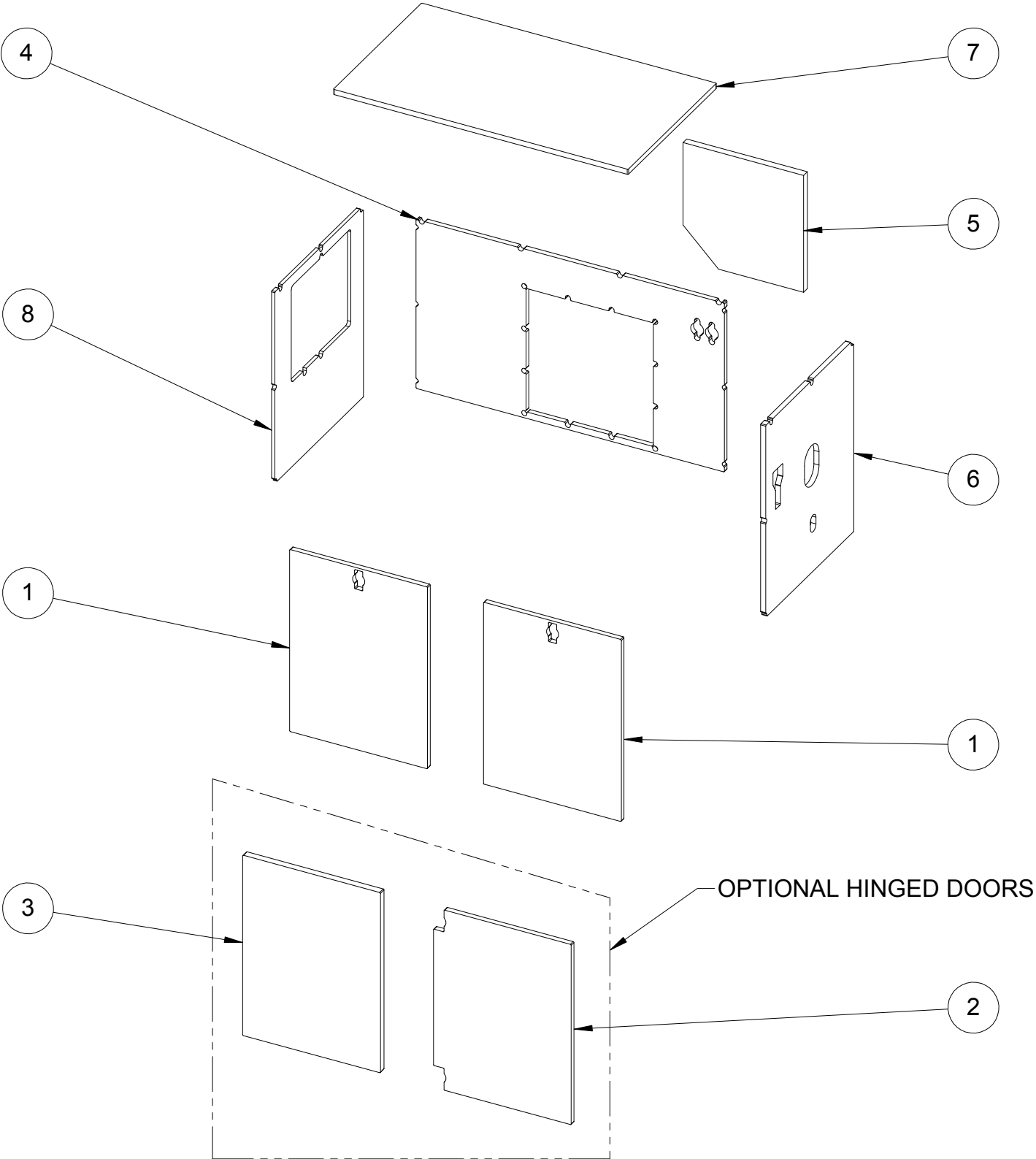


Group 05-02 BOM (Sheetmetal)

ITEM	PART NUMBER	DESCRIPTION	QTY.
1	03FANW4E315	FAN, ELECTRIC, EBM, SMALL, PUSHER, 120V	1
2	09HINGESS*	HINGE, STAINLESS, STEEL	2 X 25"
3	09LTC10	LATCH, FLUSH MOUNT	2
4	S-1422	FACE, DOOR, SS BOX	1
5	S-1423B	DOOR, LEFT, DROP-IN, BRUSHED	1
	S-1423P*	DOOR, LEFT, DROP-IN, POLISHED	
6	S-1424B	DOOR, RIGHT, DROP-IN, BRUSHED	1
	S-1424P*	DOOR, RIGHT, DROP-IN, POLISHED	
7	S-1425	PANEL, ACCESS	1
8	S-1430B*	DOOR, RIGHT, HINGED, BRUSHED	1
	S-1430P*	DOOR, RIGHT, HINGED, POLISHED	
9	S-1431B*	DOOR, LEFT, HINGED, BRUSHED	1
	S-1431P*	DOOR, LEFT, HINGED, POLISHED	
10	S-1432*	BAR, NUT	2
11	S-1434	PANEL, SIDE, NON SERVICE, NARROW, SS	1
12	S-1435	PANEL, RIGHT, NARROW, SS	1
13	S-1437	PANEL, TOP, NARROW, SS	1
14	S-1459	PANEL, LEFT, NARROW, SS	1
15	S-1678	GUARD, FAN, EBM, SS	1
16	SA-1024	FLANGE ASSY, WATER, SINGLE, 1"	2

* = OPTIONAL

Group 05-03 (Sound Foam)



Group 05-03 BOM (Sound Foam)

ITEM	PART NUMBER	DESCRIPTION	QTY.
1	S-1423-SF	FOAM, SOUND, DOOR, DROP IN	2
2	S-1430-SF*	FOAM, SOUND, DOOR, HINGED, RIGHT	1
3	S-1431-SF*	FOAM, SOUND, DOOR, HINGED, LEFT	1
4	S-1434-SF	FOAM, SOUND, SIDE, NON-SERVICE, SS, NARROW	1
5	S-1434-SF-2	FOAM, SOUND, PANEL, ACCESS, SS, NARROW	1
6	S-1435-SF	FOAM, SOUND, SIDE, RIGHT, SS, NARROW	1
7	S-1437-SF	FOAM, SOUND, TOP, SS, NARROW	1
8	S-1459-SF	FOAM, SOUND, SIDE, LEFT, SS, NARROW, FAN	1

* = OPTIONAL