



POWERTECH

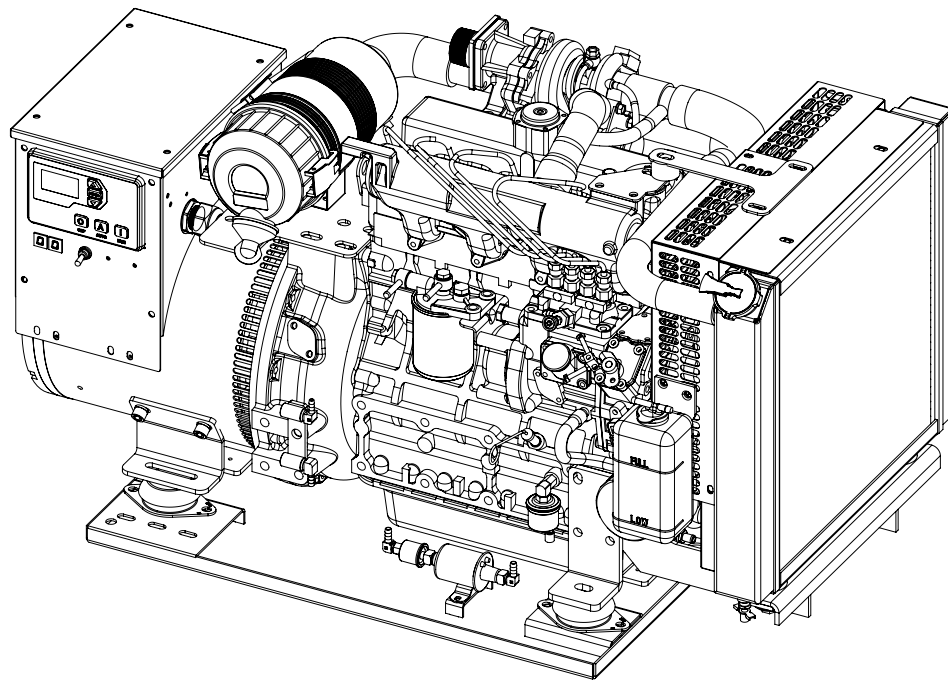
GENERATORS

SOLUTIONS FOR MOBILE APPLICATIONS

Parts List

PTK-25

(for Generators with Serial Numbers Beginning with "K")



634 State Road 44 | Leesburg, FL 34748

Phone: 800-760-0027 | Fax: 352-787-5545

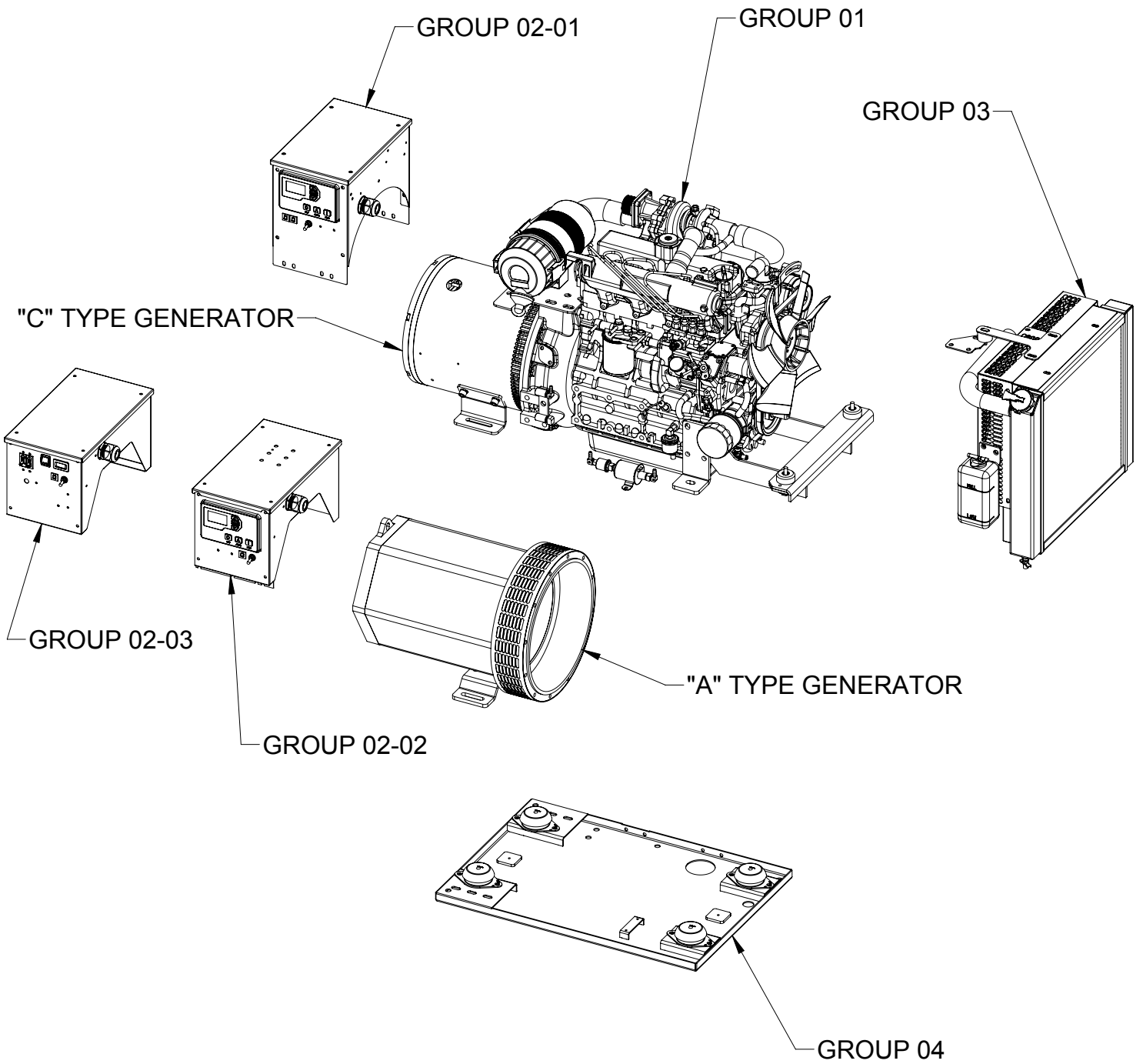
www.powertechparts.com

We recommend that you contact an authorized Power Tech Generator dealer for all maintenance and repairs of your generator. If you perform any maintenance or repairs, first disconnect the battery to prevent unintentional start-up. Unintentional start-up can result in serious injury or death.

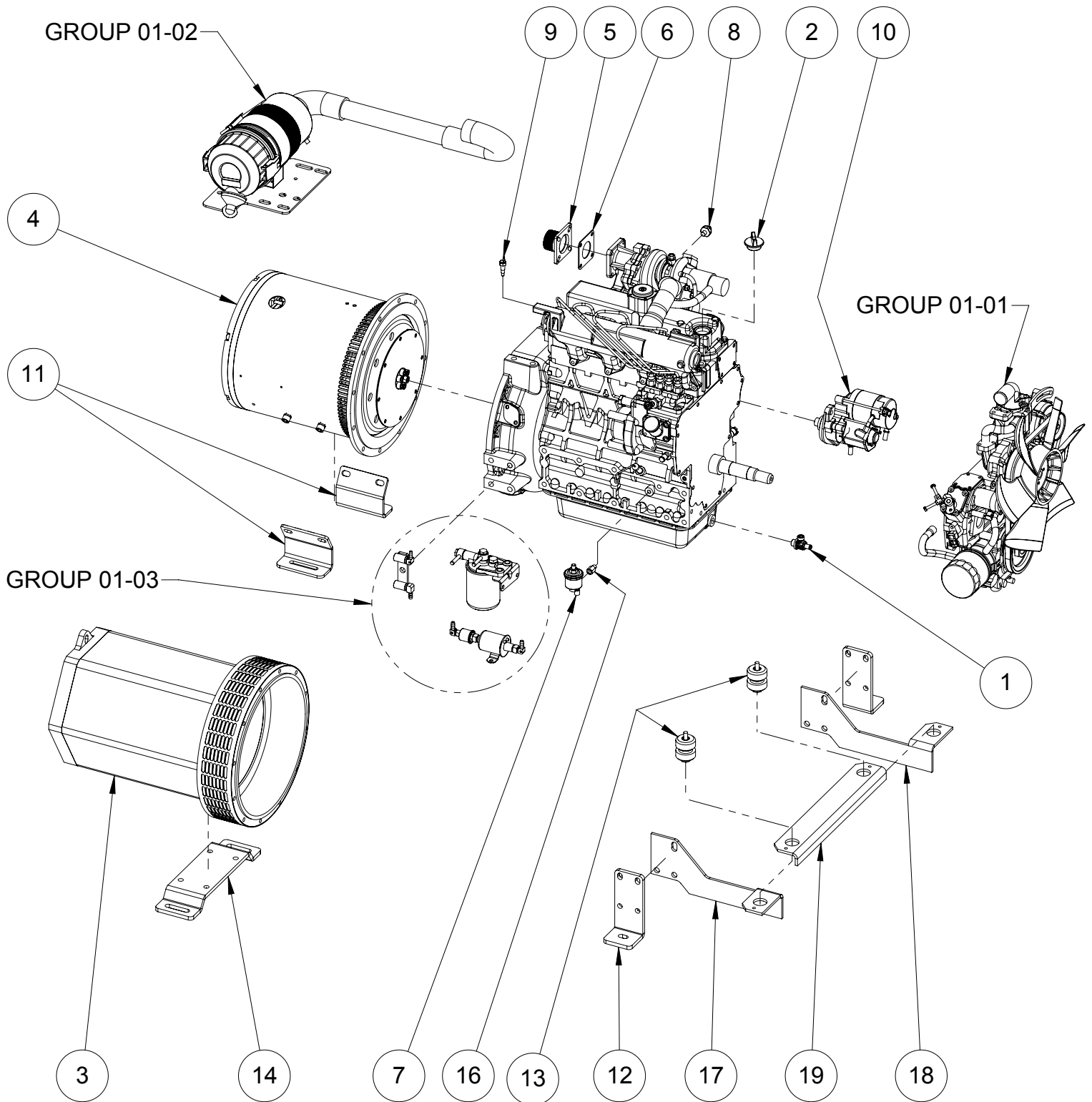
Use only Power Tech Generator parts. Other parts may not perform as well, may damage the generator set, and may result in property damage or injury. In addition, use of other parts may void your warranty.

This parts list was current at the time of printing. Production changes and installed options may result in changes that are not covered in this parts list. Production units and associated parts are subject to change without notice. For the most up to date parts information, please contact the factory with your Power Tech Generator model number and serial number.

Group 00 (Complete Generator)



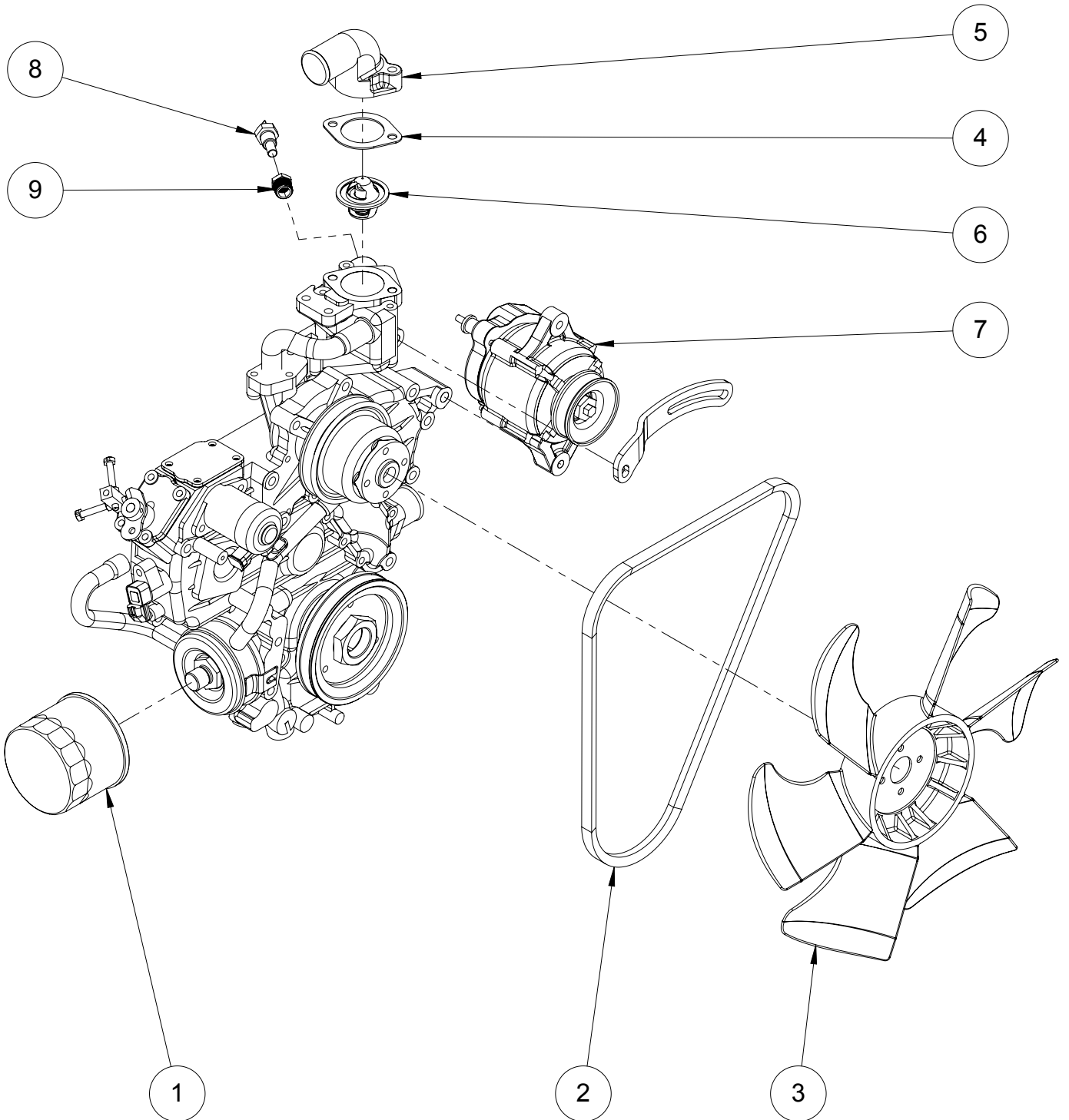
Group 01 (Engine & Generator)



Group 01 BOM (Engine & Gen)

ITEM	PART NUMBER	DESCRIPTION	QTY.
1	01F108N	VALVE, DRAIN, OIL, 16MMX1.5	1
2	01FILLCAP	CAP,OIL FILL,KUBOTA,0203	1
3	02GEN184F4W	GENERATOR, A-TYPE, 25KW, SAE4, 7.5DISC, 4WIRE	1
4	02GEN1CB25	GENERATOR, C-TYPE, 25KW, 1 PHASE, SAE4/7.5, 4WIRE	1
5	04EX112WSLT	FLANGE,EXHAUST,4 BOLT.SLOT,1 1/2"	1
6	04GKT0203EX	GASKET,FLANGE,EXHAUST,4 BOLT	1
7	05SNDO105	SENDER,PRESSURE,OIL,VDO	1
8	05SOKUB1P	SWITCH,PRESSURE,OIL,1 POLE,KUBOTA	1
9	05STKUB03	SWITCH,TEMPERATURE SHUTDOWN	1
10	05STR0203NS	STARTER,11 TOOTH,KUBOTA,0203	1
11	09FTC2025	FOOT, MOUNTING, GENERATOR	2
12	09FTMS4LP	FOOT,LOWPRO,03,6 3/4"	2
13	09MNT22002-13	MOUNT, ISOLATOR, RADIATOR, ROUND	2
14	09PLTMS21S	PLATE, MOUNTING, GENERATOR	1
15	BR3400x2	ELBOW, 90°, STREET, BRASS, 1/8"	1
16	CC18J	ADAPTER, OIL, 1/8" JPT X 1/8" NPT	1
17	S-3162	BRACKET, RADIATOR, SIDE, SERVICE, 03M, 520	1
18	S-3163	BRACKET, RADIATOR, SIDE, NON-SERVICE, 03M, 520	1
19	S-3164	BRACKET, RADIATOR, CENTER, 03M, 520	1
-	04BLK30002	BLANKET, MAINFOLD, V2003-T	1
-	04BLK30012	BLANKET, TURBO, V2003-T, 36-3800 T	1

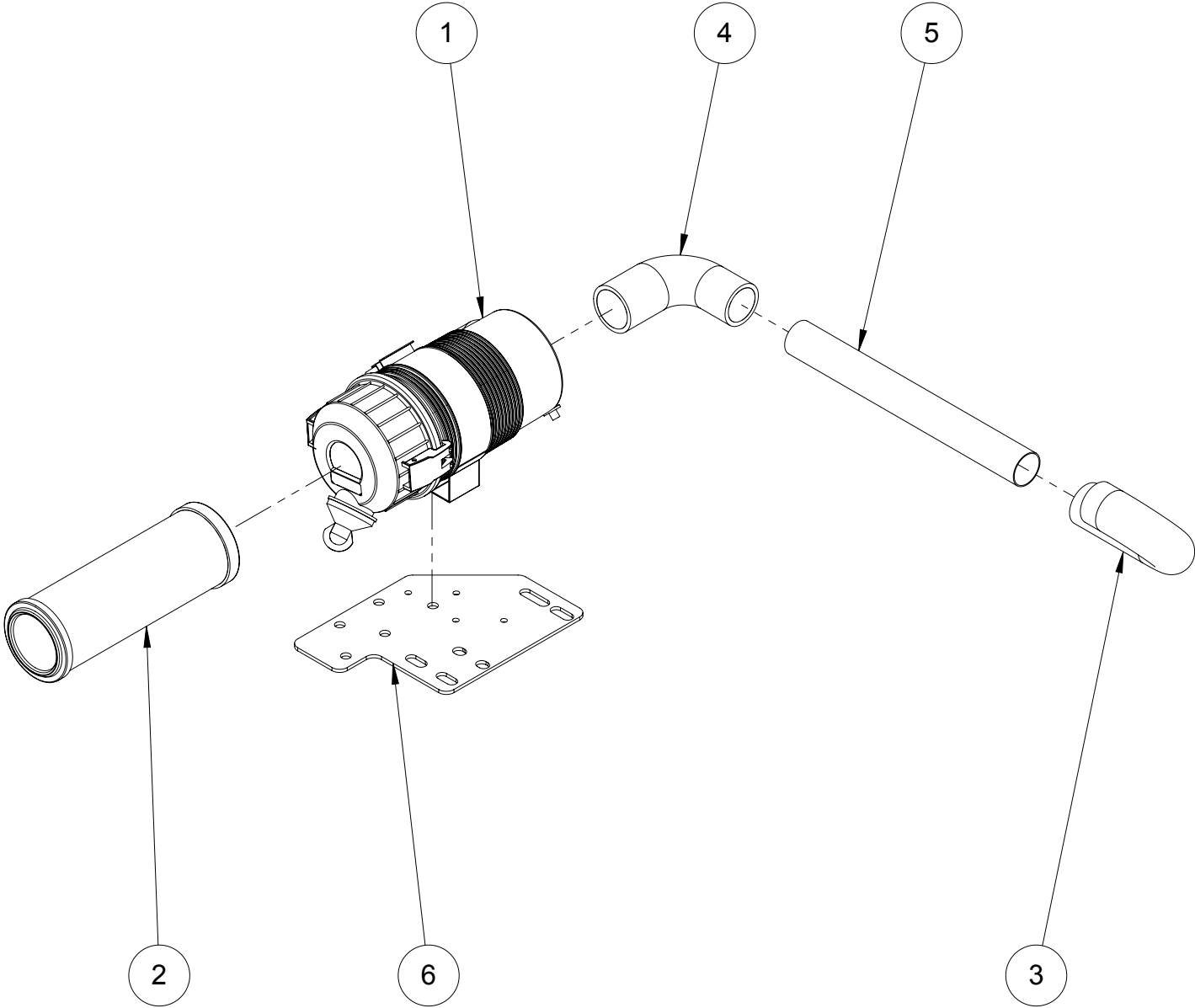
Group 01-01 (Engine Front)



Group 01-01 BOM (Engine Front)

ITEM	PART NUMBER	DESCRIPTION	QTY.
1	01FO091	FILTER,OIL,02/03,KUBOTA	1
2	03BF0203	BELT, FAN, 02/03, ALTERNATOR	1
3	03FANPH0203S	FAN, PUSHER, KUBOTA, 03, 380MM/15"	1
4	03GKT0203THM	GASKET,THERMOSTAT,KUBOTA,0203	1
5	03H0203THM	HOUSING,THERMOSTAT,KUBOTA,0203	1
6	03THM0305NEW	THERMOSTAT,KUBOTA,0305	1
7	05ALT03S	ALTERNATOR, 45A, KUBOTA	1
8	05SNDT118	SENDER,TEMPERATURE,VDO	1
9	BR3220X6X4	BUSHING, 3/8" X 1/4", BRASS	1

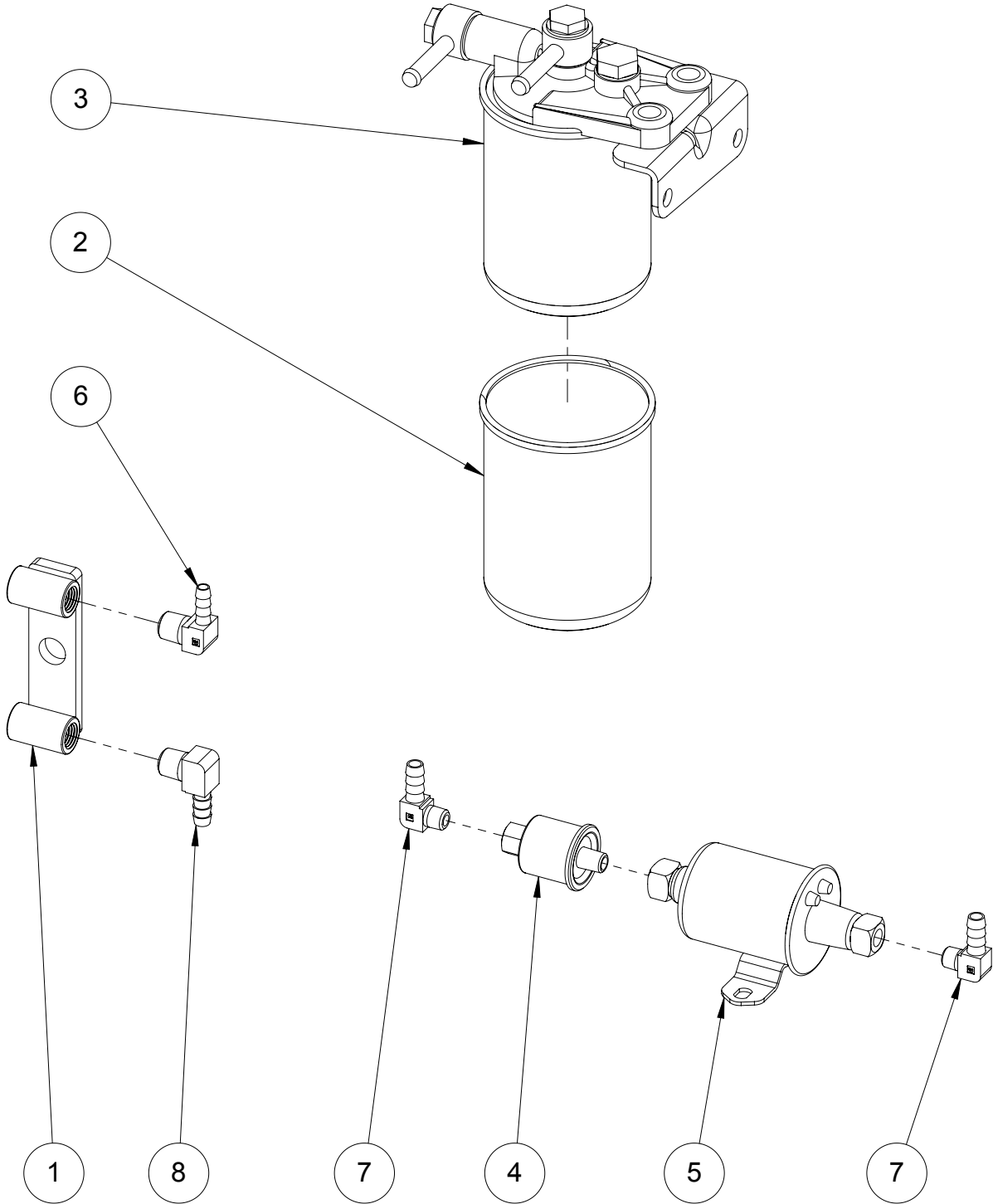
Group 01-02 (Intake)



Group 01-02 BOM (Intake)

ITEM	PART NUMBER	DESCRIPTION	QTY.
1	04AC2FW	HSG,CLEANER,AIR,W/ FILTER	1
2	04FA2E1	FILTER, AIR, ELEMENT FOR 04AC2FW	1
3	04HSA0923	HOSE, INTAKE, AIR, 180°, 1-3/4, (TURBO)	1
4	04HSA0924	HOSE, INTAKE, AIR, 90°, 1-3/4 X 2, (TURBO)	1
5	04IP175X15	PIPE, INTAKE, 1-3/4" X 15"	1
6	S-3132	BRACKET, FILTER, AIR, UNIVERSAL	1

Group 01-03 (Fuel)

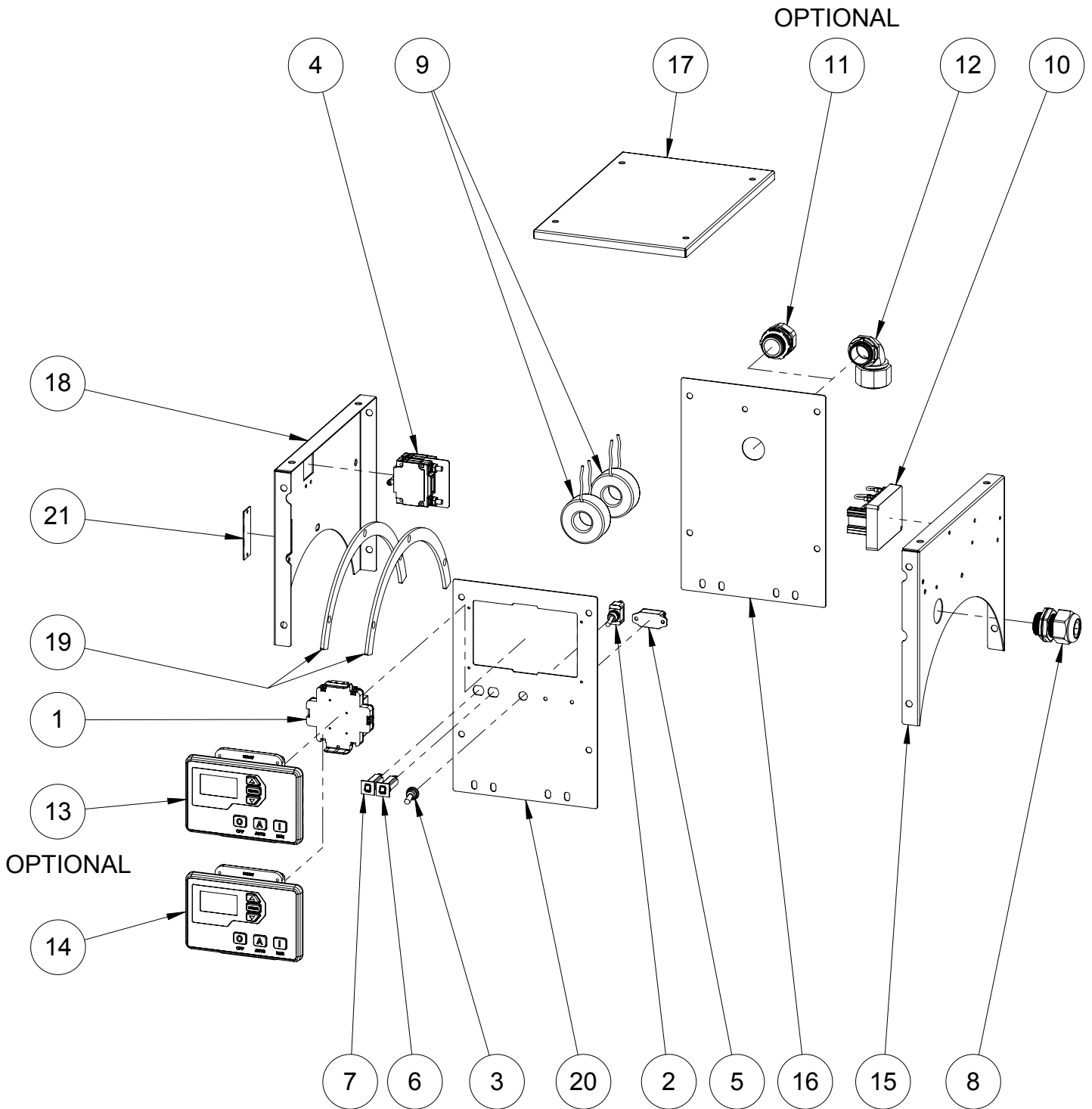


Group 01-03 BOM (Fuel)

ITEM	PART NUMBER	DESCRIPTION	QTY.
1	08BLKF01	BLOCK, FUEL, DOUBLE	1
2	08FF17	FILTER, FUEL, 02-03-05-V33 (D06)	1
3	08FFD06	KIT, FILTER, FUEL, KIT, D06	1
4	08FFG17B	FILTER, FUEL, INLINE, G17B	1
5	08PE7061	PUMP, FUEL, ELEC, 12V	1
6	BR129X4X4	BARB, HOSE, 90°, 1/4H X 1/4NPT, BRASS	1
7	BR1556	BARB, HOSE, 90°, 5/16H X 1/8NPT, BRASS	2
8	BR1557	BARB, HOSE, 90°, 5/16H X 1/4NPT, BRASS	1

Group 02-01 (Controls)

(PTG Controller with "C" Type Generator)

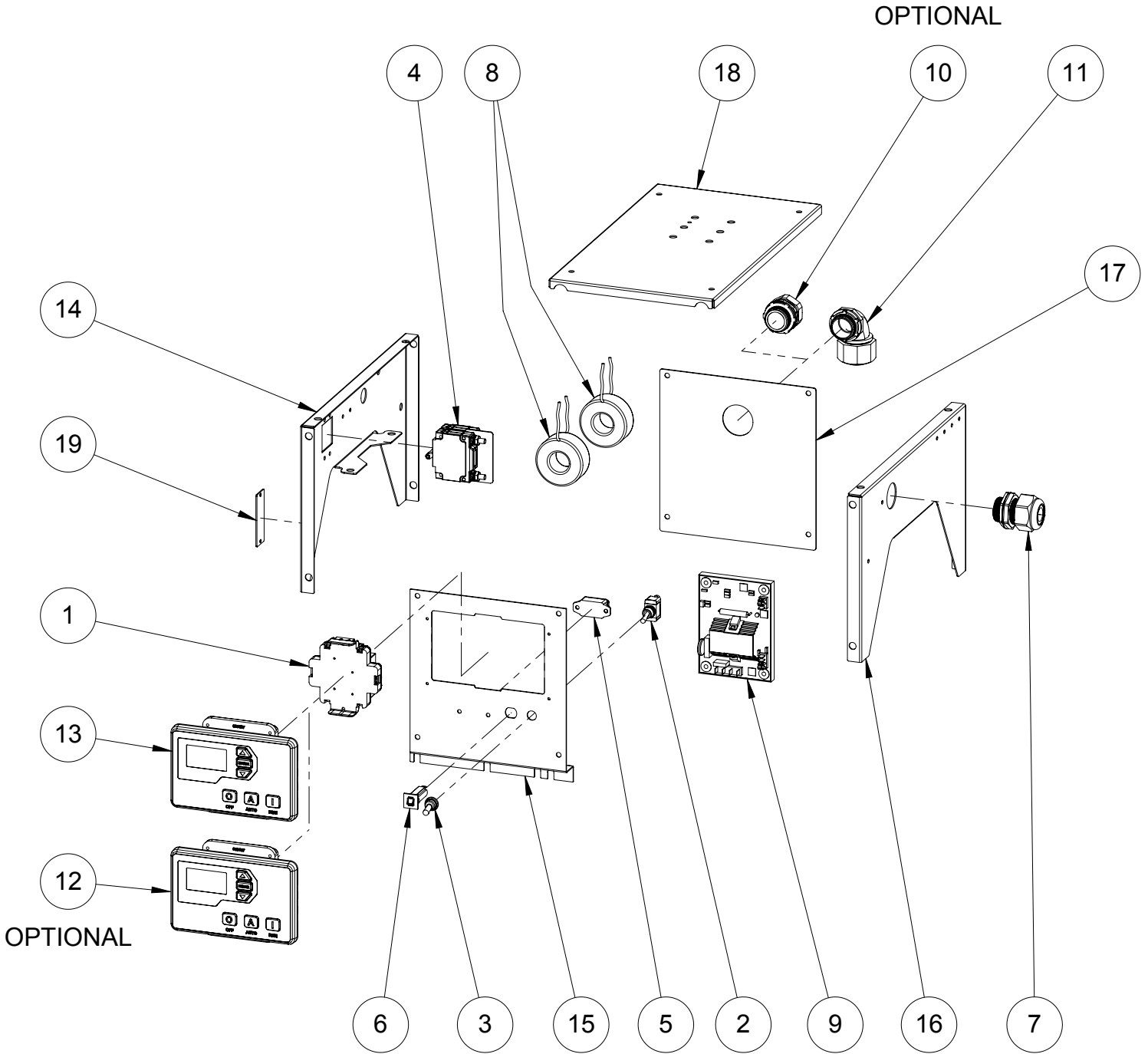


Group 02-01 BOM (Controls)

ITEM	PART NUMBER	DESCRIPTION	QTY.
1	05RLY100	RELAY, PACK, DYNAGEN, RP100-VM	1
2	05STOGONOFF	SWITCH, TOGGLE, ON/OFF, 2 POLE	1
3	05TOGBOOT	BOOT, SWITCH, TOGGLE	1
4	06BR100A2PCA	BREAKER, 100AMP, 2P, CA	1
5	06BR401P12V	BREAKER, 40A, 12VDC	1
6	06BR4A-RESEW28	BREAKER,4A,RESET,ROCKER	1
7	06BR5A-RESEW28	BREAKER, 5A, RESET, ROCKER	1
8	06CG1	GRIP, CORD 1"	1
9	06CT1005	TRANSFORMER, CURRENT, 100:5	2
10	06REG634AVC	REGULATOR, BASLER, 63-4 AVC	1
11	07CF1S	CONNECTOR, CONDUIT, LIQUID TIGHT, 1", STRAIGHT	1
12	07CF1X90	CONNECTOR, CONDUIT, LIQUID TIGHT, 1" X 90°	1
13	07TG350	CONTROLER, ELECTRONIC, PTG350	1
14	07TG410	CONTROLLER, ELECTRONIC, PTG410	1
15	S-1825	CONTROL BOX FRONT	1
16	S-1827	CONTROL BOX LEFT	1
17	S-1829	CONTROL BOX TOP	1
18	S-2054	PANEL,CONTROL BOX,BACK	1
19	S-2055	SPACER,CONTROL BOX	2
20	S-2609	PANEL, SIDE, SERVICE, BOX, CONTROL	1
21	S-2880	PLATE, COVER, BREAKER, BLANK	1
-	07HRN5003K48-TG	HARNESS, ENGINE, TG , 48 INCH PIGTAIL	1
-	07HRNCON03M	HARNESS, GOVERNOR, KUBOTA, 03M, 60 Hz	1
-	07LACTG	PIGTAIL, SENSING, AC, TG SERIES	1

Group 02-02 (Controls)

(PTG Controller with "A" Type Generator)

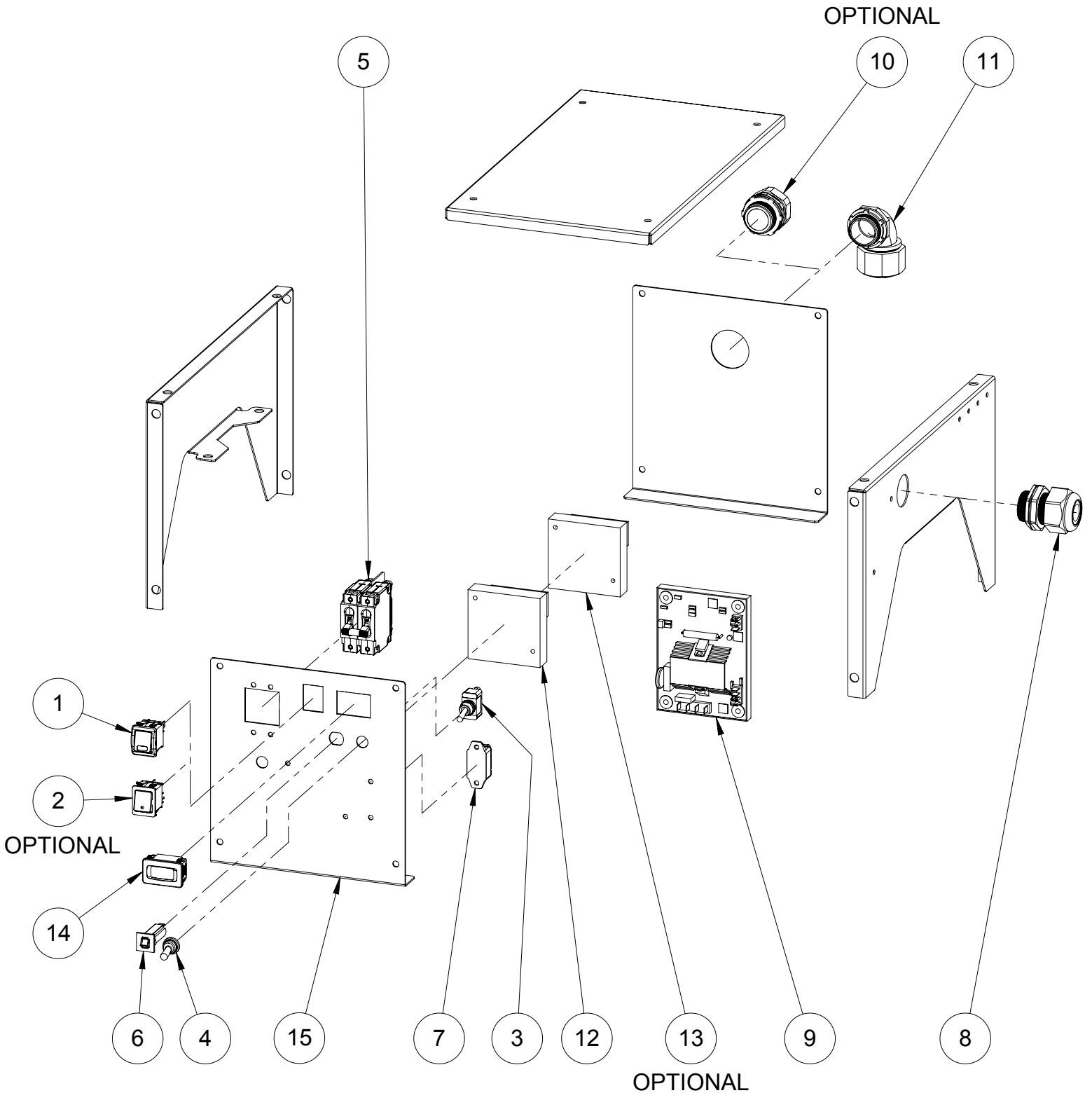


Group 02-02 BOM (Controls)

ITEM	PART NUMBER	DESCRIPTION	QTY.
1	05RLY100	RELAY, PACK, DYNAGEN, RP100-VM	1
2	05STOGONOFF	SWITCH, TOGGLE, ON/OFF, 2 POLE	1
3	05TOGBOOT	BOOT, SWITCH, TOGGLE	1
4	06BR100A2PCA	BREAKER, 100AMP, 2P, CA	1
5	06BR401P12V	BREAKER, 40A, 12VDC	1
6	06BR5A-RESETW28	BREAKER, 5A, RESET, ROCKER	1
7	06CG1	GRIP, CORD 1"	1
8	06CT1005	TRANSFORMER, CURRENT, 100:5	2
9	06REGSX460	REGULATOR,VOLTAGE,SX460	1
10	07CF1S	CONNECTOR, CONDUIT, LIQUID TIGHT, 1", STRAIGHT	1
11	07CF1X90	CONNECTOR, CONDUIT, LIQUID TIGHT, 1" X 90°	1
12	07TG350	CONTROLLER, ELECTRONIC, PTG350	1
13	07TG410	CONTROLLER, ELECTRONIC, PTG410	1
14	S-1506	PANEL, BACK , BOX, CONTROL, 184E-F, 2P CA BREAKER	1
15	S-1507	CONTROL BOX SIDE PANEL	1
16	S-1775	PANEL, FRONT , BOX, CONTROL, 184	1
17	S-1777	PANEL, SIDE, NON-SERVICE, BOX, CONTROL, 184F	1
18	S-2250	PANEL, TOP, BOX, CONTROL, 184F, AIR CLEANER	1
19	S-2880	PLATE, COVER, BREAKER, BLANK	1
-	07HRN5003K48-TG	HARNESS, ENGINE, TG , 48 INCH PIGTAIL	1
-	07HRNCON03M	HARNESS, GOVERNOR, KUBOTA, 03M, 60 Hz	1
-	07LACTG	PIGTAIL, SENSING, AC, TG SERIES	1

Group 02-03 (Controls)

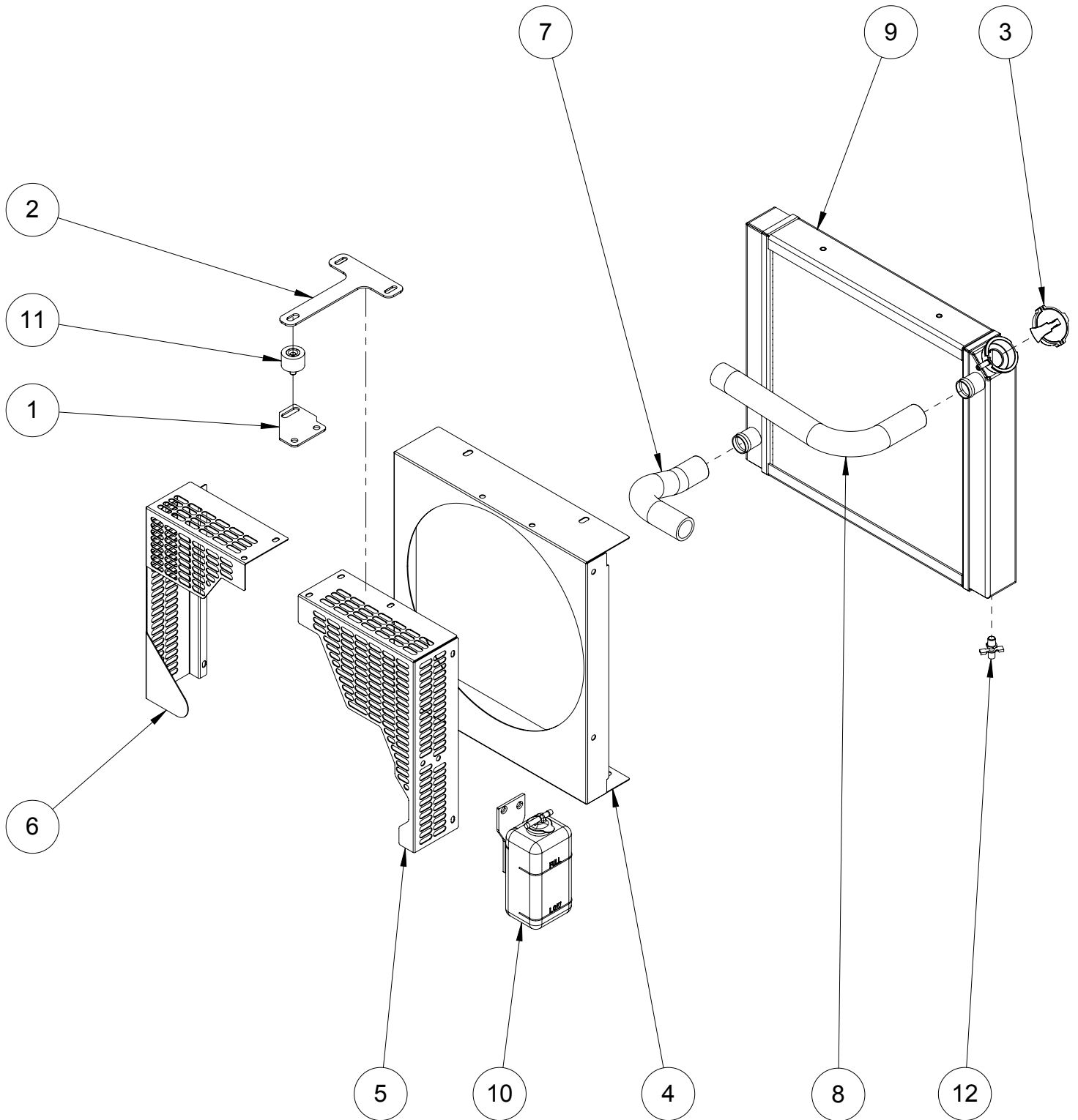
(ECU Controller with "A" Type Generator)



Group 02-03 BOM (Controls)

ITEM	PART NUMBER	DESCRIPTION	QTY.
1	05SR	SWITCH, ROCKER, MOM, LIGHT, START/STOP	1
2	05SRMT	SWITCH,ROCKER,MAINTAIN,LIGHT	1
3	05STOGONOFF	SWITCH, TOGGLE, ON/OFF, 2 POLE	1
4	05TOGBOOT	BOOT, SWITCH, TOGGLE	1
5	06BR100A2PCA	BREAKER, 100AMP, 2P, CA	1
6	06BR1A-RESETW28	BREAKER, 1A, RESET, ROCKER	1
7	06BR401P12V	BREAKER, 40A, 12VDC	1
8	06CG1	GRIP, CORD 1"	1
9	06REGSX460	REGULATOR,VOLTAGE,SX460	1
10	07CF1S	CONNECTOR, CONDUIT, LIQUID TIGHT, 1", STRAIGHT	1
11	07CF1X90	CONNECTOR, CONDUIT, LIQUID TIGHT, 1" X 90°	1
12	07CONECU63	CONTROLLER, ENGINE, ECU 63, MOMENTARY	1
13	07CONECU64	CONTROLLER, ENGINE, ECU 64F, MAINTAIN	1
14	07MHR-DIGITAL	METER, HOUR, DIGITAL, RECTANGLE	1
15	09SM21-2	SIDE, SERVICE, BOX, CONTROL, 184E, ECU, 2 POLE	1
-	07HRN5003K48	HARNESS, ENGINE, 03, ECU, 48" REMOTE CONNECTOR	1
-	07HRNCON03M	HARNESS, GOVERNOR, KUBOTA, 03M, 60 Hz	1

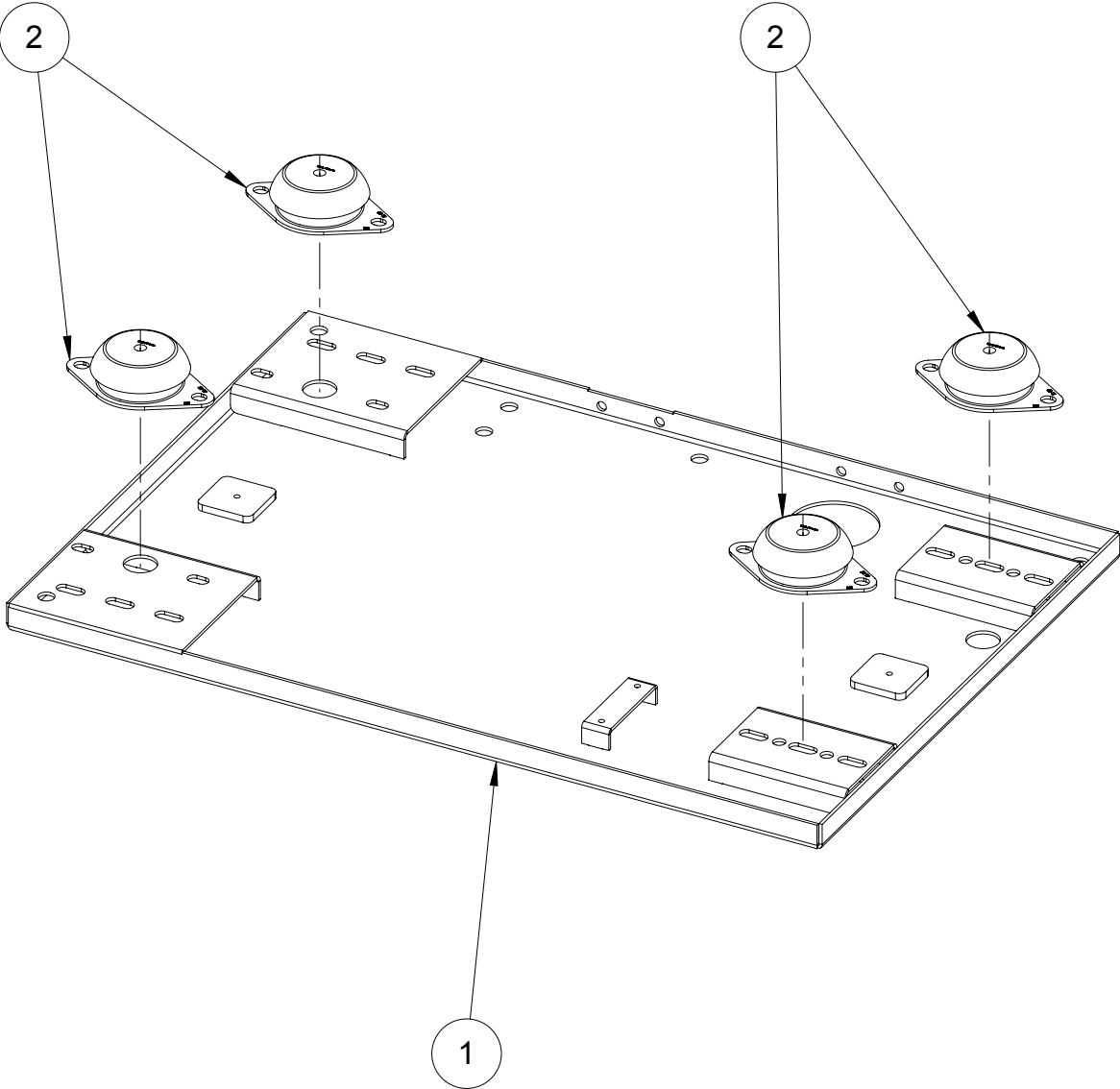
Group 03 (Radiator)



Group 03 BOM (Radiator)

ITEM	PART NUMBER	DESCRIPTION	QTY.
1	03BR361-TM	RADIATOR BRACE	1
2	03BR361T	RADIATOR BRACE 520/361/710	1
3	03CSP13	CAP, RADIATOR, 13#, RELEASE	1
4	03FS1902	FAN SHROUD	1
5	03GF03MA	RIGHT SIDE FAN GUARD	1
6	03GF03MB	LEFT SIDE FAN GUARD	1
7	03HS0203L	HOSE, RADIATOR, LOWER, 03/4A220, 520	1
8	03HS0203U	HOSE, RADIATOR, UPPER, 03, 520	1
9	03RAD520-ALUM	RADIATOR, ALUMINUM, 520, 03	1
10	03WBKIT	KIT, BOTTLE, WATER RECOVERY, KUBOTA	1
11	09MNTIS38H	ISOLATOR,RUBBER,3/8" STUD	1
12	BR6788	DRAIN COCK, 1/4", STRAIGHT, LONG, BRASS	1

Group 04 (Base Pan)



Group 04 BOM (Base Pan)

ITEM	PART NUMBER	DESCRIPTION	QTY.
1	09BP20AB	BASE ASSY, PAN	1
2	09MNT50	MOUNT, ENGINE, 50	4