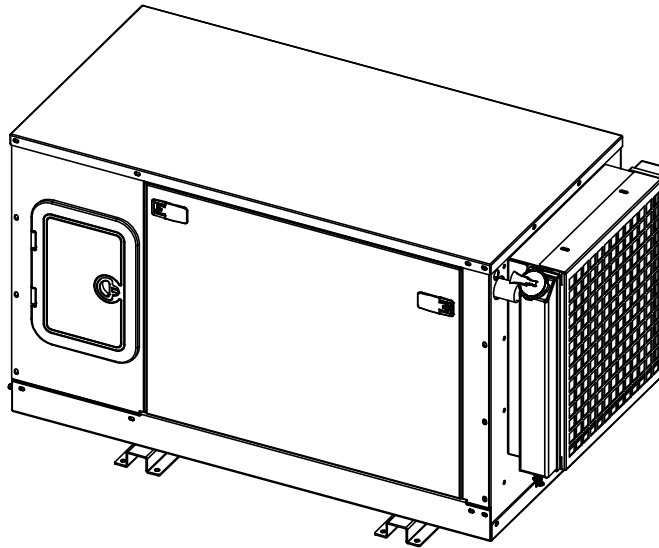




Parts List

PTK-15Si & PTK-20Si (Rev A)

(for Generators with Serial Numbers Beginning with "K")



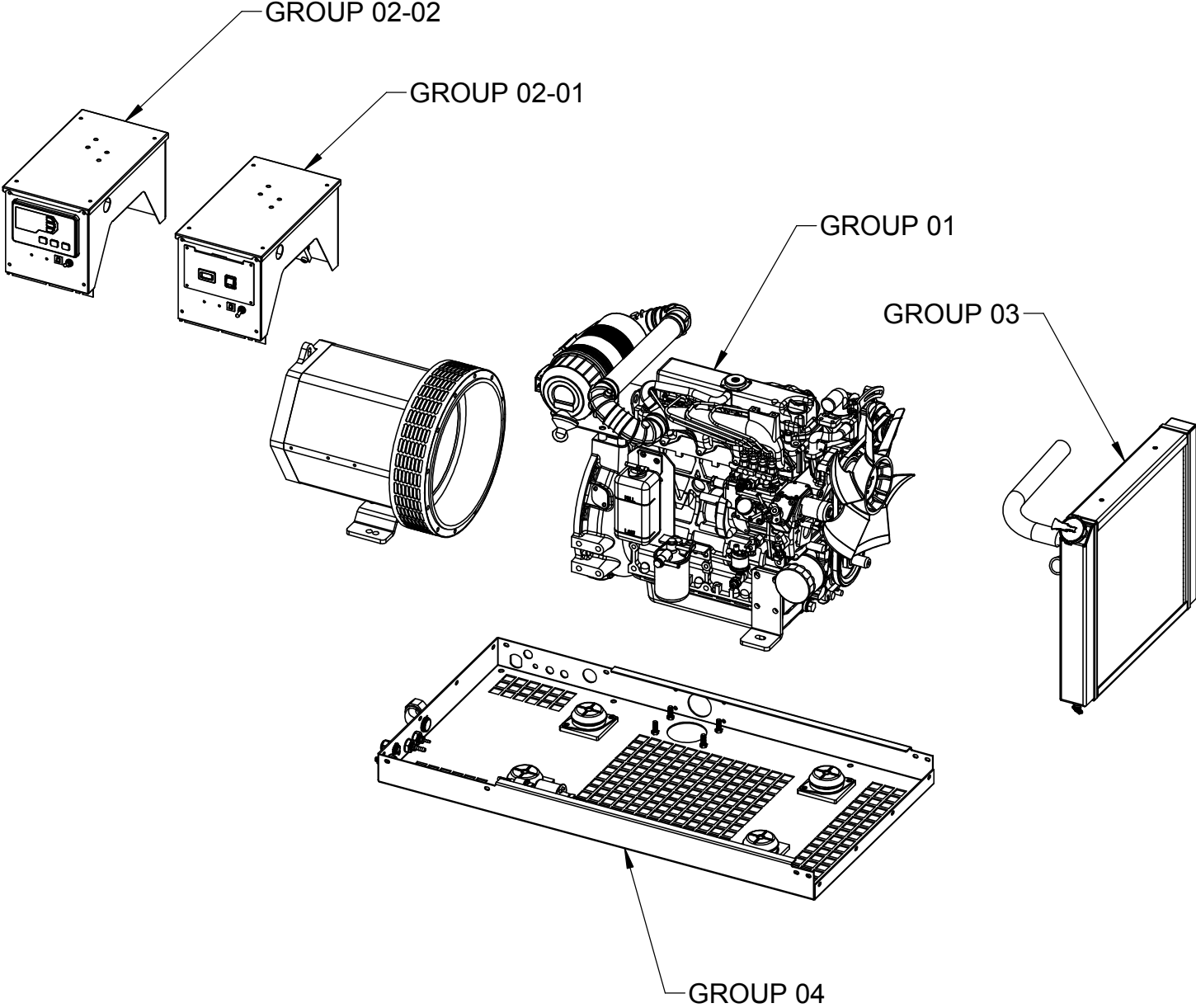
Power Technology Southeast
634 SR 44 W
Leesburg, FL 34748
Phone: 800-760-0027
Fax: 352-787-5545
www.powertechparts.com

We recommend that you contact an authorized Power Technology S.E., Inc. dealer for all maintenance and repairs of the generator. If you perform any maintenance or repairs, first disconnect the battery and/or lock out the ignition to prevent unintentional start-up. Unintentional start-up can result in serious injury and/or death.

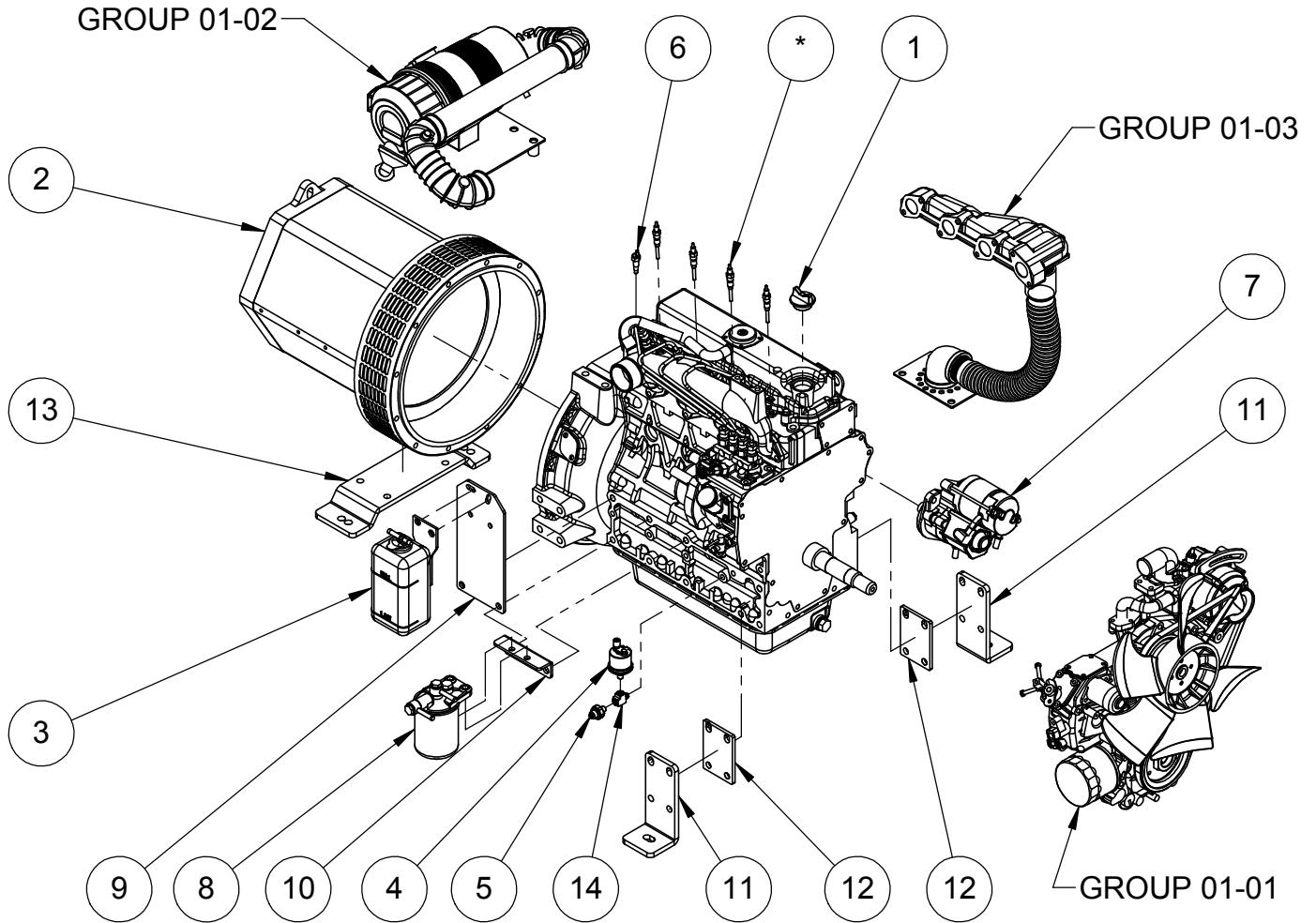
Use only Power Technology parts. Other parts may not perform as well, may damage the generator set, and may result in injury. In addition, use of other parts may void your warranty.

This parts list was current at the time of printing. Production changes and installed options may result in changes that are not covered in this parts list. Production units and associated parts are subject to change without notice. For the most up to date parts information, please contact the factory with the Power Tech model number and serial number.

Group 00 (Complete Generator)



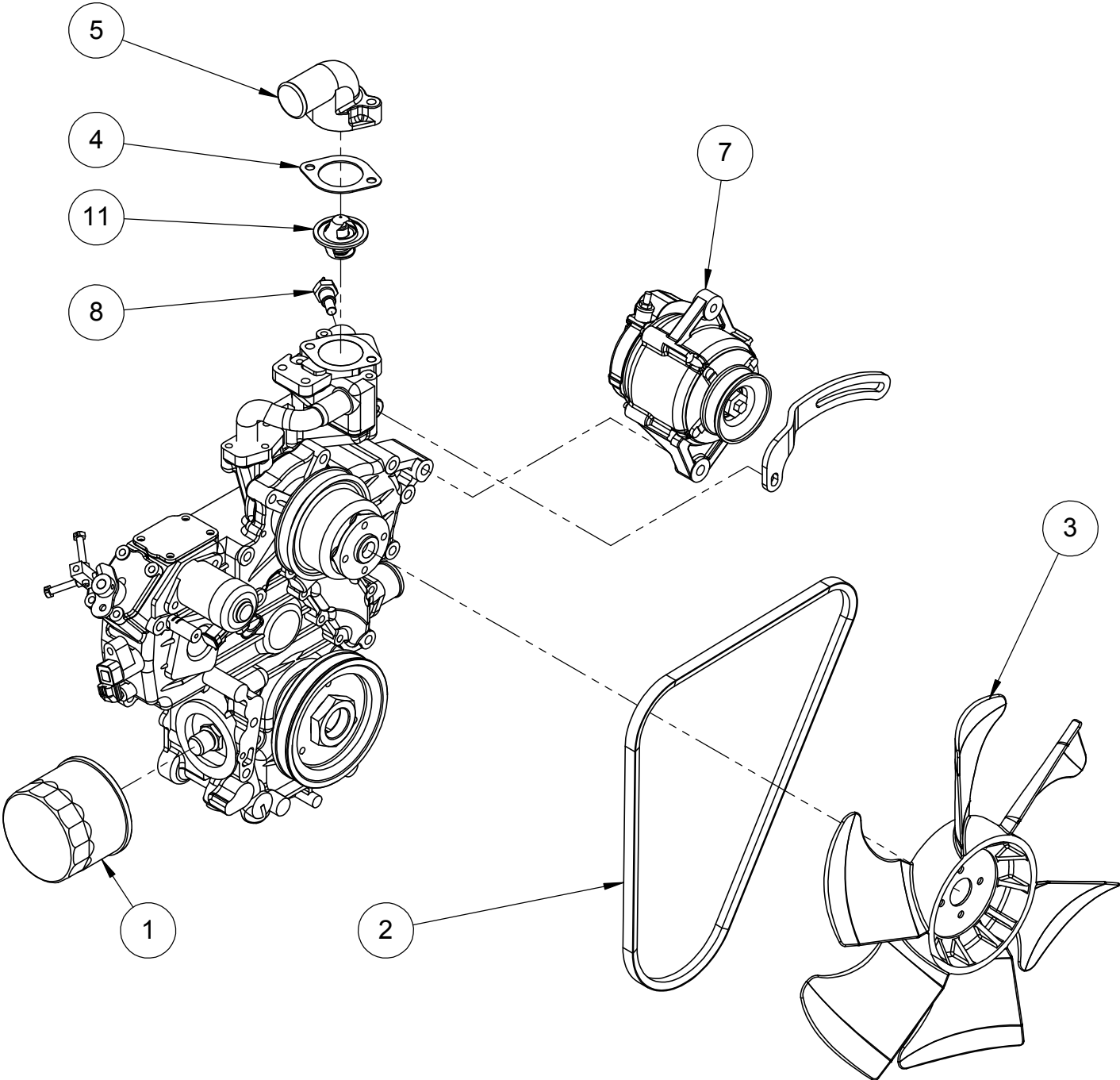
Group 01 (Engine)



Group 01 BOM (Engine)

ITEM	PART NUMBER	DESCRIPTION	QTY
1	01FILLCAP	CAP,OIL FILL,KUBOTA,0203	1
2	02GEN184E4W	GENERATOR,22kW,SAE4,4 WIRE	1
3	03WBKIT	KIT,BOTTLE,WATER RECOVERY,KUBOTA	1
4	05SNDO105	SENDER,PRESSURE,OIL,VDO	1
5	05SOKUB1P	SWITCH,PRESSURE,OIL,1 POLE,KUBOTA	1
6	05STKUB03	SWITCH,TEMPERATURE SHUTDOWN	1
7	05STR0203NS	STARTER,11 TOOTH,KUBOTA,0203	1
8	08FFD06	FILTER,FUEL,KUB KIT,BASE & FILTER	1
9	09BRK03WBB	BRACKET,BOTTLE,WATER,BLOCK MOUNTED	1
10	09BRKFFD06	BRACKET,FILTER,FUEL,D06-05 & 03	1
11	09FTMS4LP	FOOT,LOWPRO,03,6 3/4"	2
12	09FTSP203	SPACER,FOOT,03	2
13	09PLTMS21S	GEN MOUNT PLATE	1

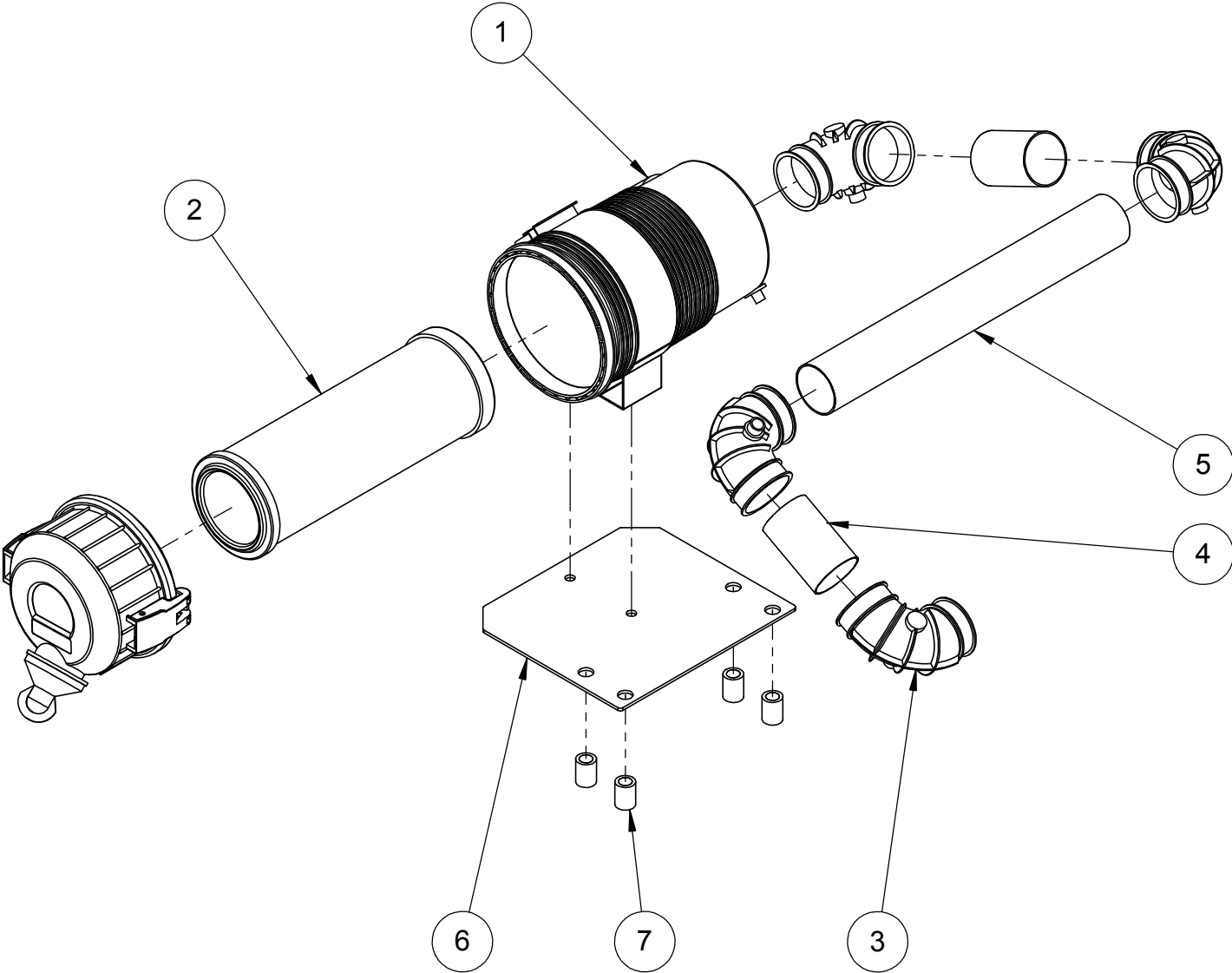
Group 01-01 (Engine Front)



Group 01-01 BOM (Engine Front)

ITEM	PART NUMBER	DESCRIPTION	QTY.
1	01FO091	FILTER,OIL,02/03,KUBOTA	1
2	03BF0203	BELT,FAN,02 & 03,ALTERNATOR	1
3	03FANPH0203	FAN,ENGINE,PUSH,15",KUBOTA	1
4	03GKT0203THM	GASKET,THERMOSTAT,KUBOTA,0203	1
5	03H0203THM	HOUSING,THERMOSTAT,KUBOTA,0203	1
6	03THM0303NEW	THERMOSTAT,KUBOTA.0305	1
7	05ALT03S	ALTERNATOR,45A,KUBOTA	1
8	05SNDT118	SENDER,TEMPERATURE,VDO	1

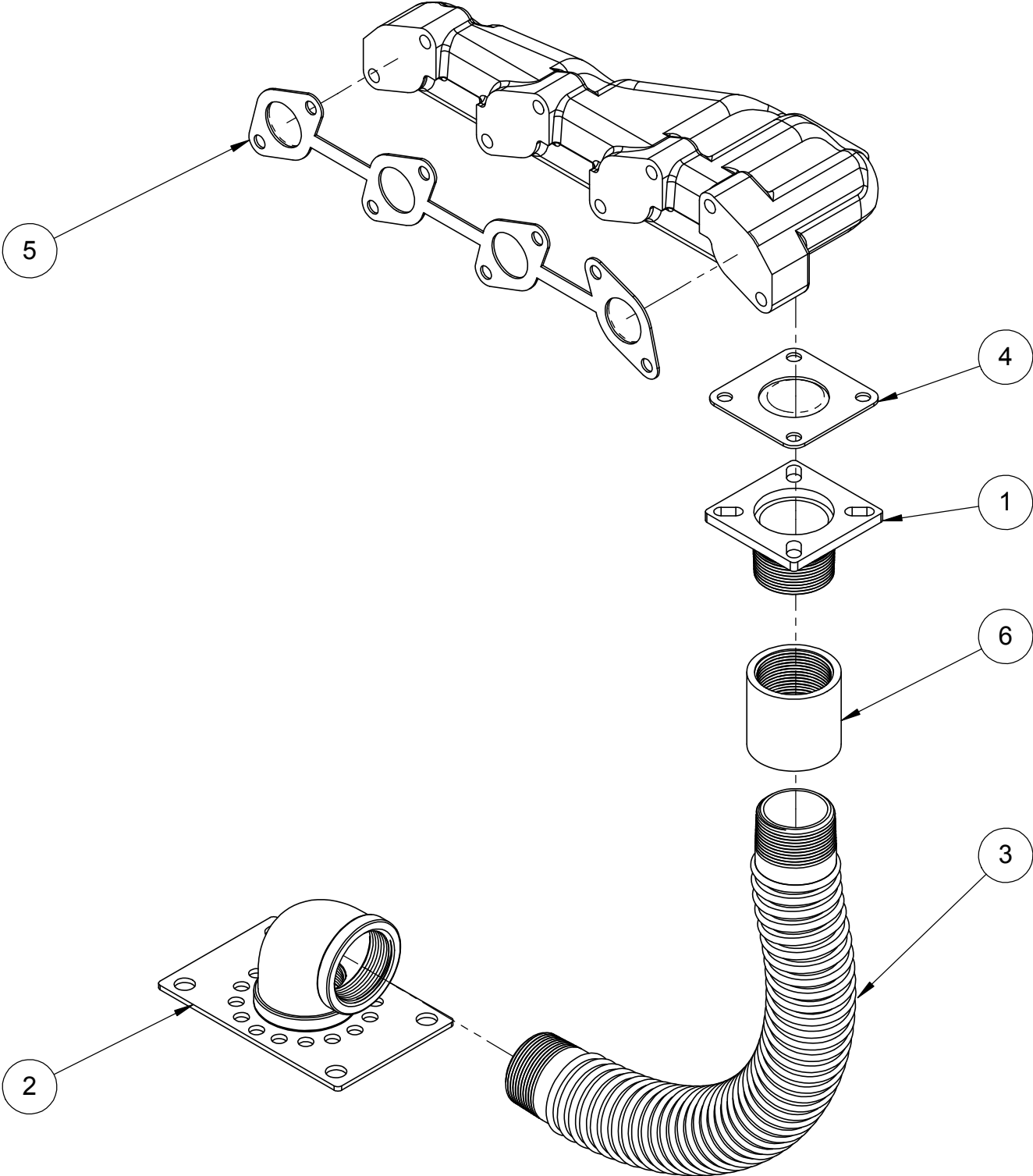
Group 01-02 (Intake)



Group 01-02 BOM (Intake)

ITEM	PART NUMBER	DESCRIPTION	QTY.
1	04AC2FW	HOUSING, FILTER, AIR	1
2	04FA2E1	ELEMENT, FILTER, AIR, 15-25 KW	1
3	04HSAIRL2	HOSE,AIR INTAKE,2",90°	4
4	04IP2X3	PIPE,INTAKE,2" X 3"	2
5	04IP2X15	PIPE,INTAKE,2" X 15"	1
6	09BRK20AC	BRACKET,AIR CLEANER	1
7	09SP12X1	SPACER, Ø 1/2" X 1"	4

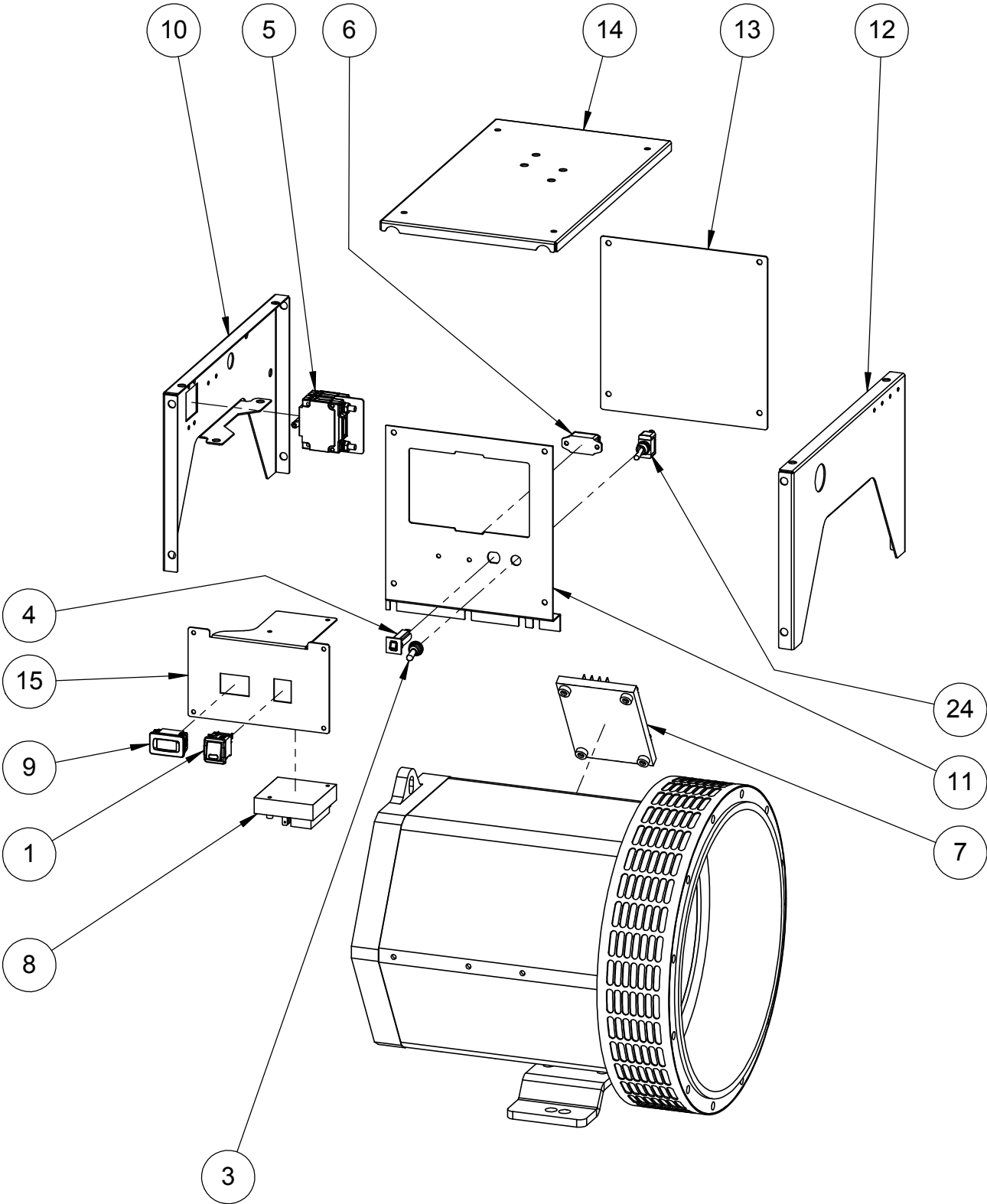
Group 01-03 (Exhaust)



Group 01-03 BOM (Exhaust)

ITEM	PART NUMBER	DESCRIPTION	QTY.
1	04EX112WSLT	FLANGE,EXHAUST,4 BOLT.SLOT,1 1/2"	1
2	04EXF15VENT90	FLANGE,FLOOR,VENTED, 1-1/2", 90°	1
3	04FLXP112X19	FLEXPPIPE,1 1/2" X 19 1/2"	1
4	04GKT0203EX	GASKET,FLANGE,EXHAUST,4 BOLT	1
5	04GKT265EX	GASKET,MANIFOLD,EXHAUST,KUBOTA,03	1
6	BP112COUP	COUPLING,MERCHANT,1 1/2"	1

Group 02-01 (Controls)

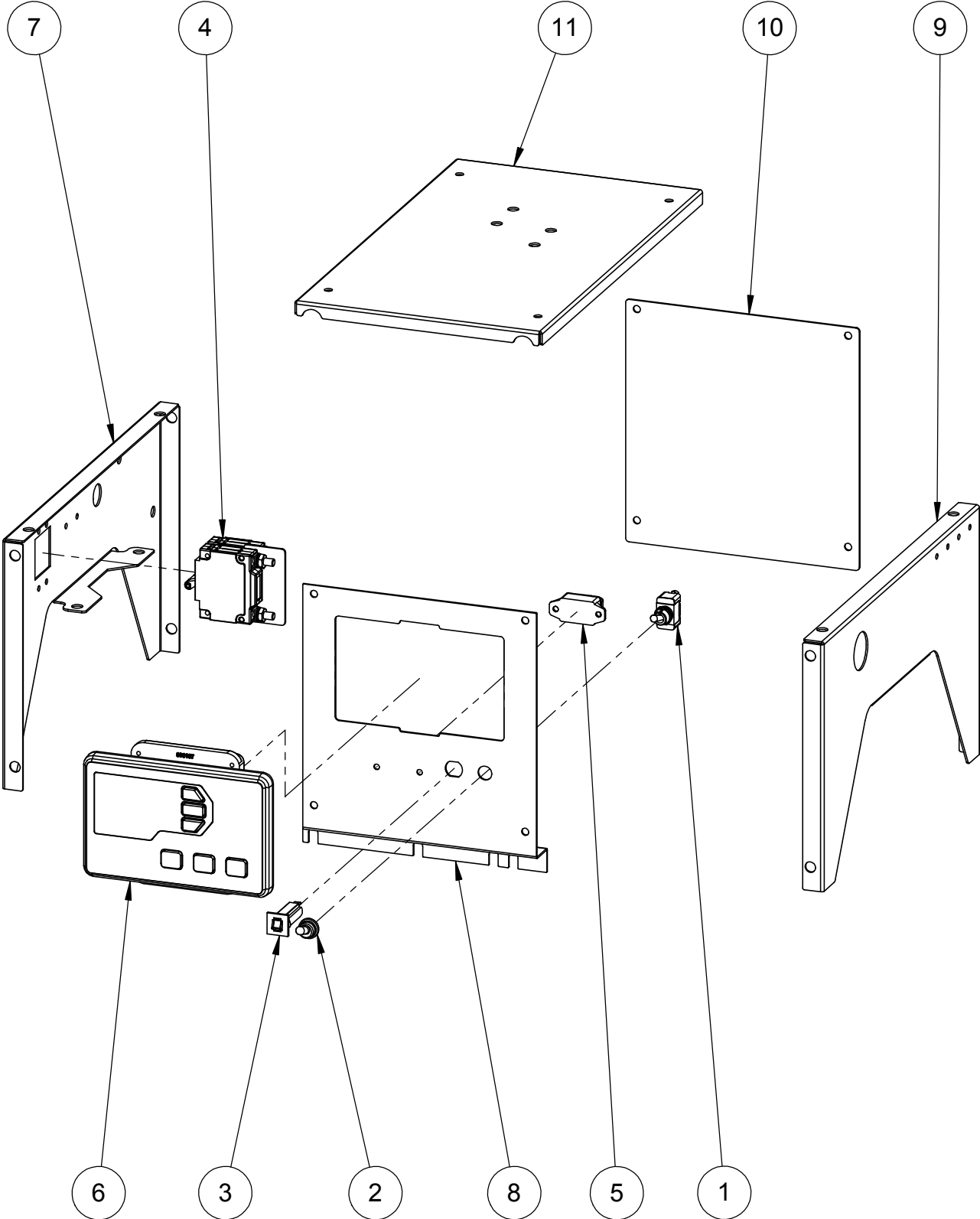


Group 02-01 BOM (Controls)

ITEM	PART NUMBER	DESCRIPTION	QTY
1	05SR	SWITCH, ROCKER, MOM, LIGHT, START/STOP	1
	05SRMT*	SWITCH, ROCKER, MAIN, LIGHT, START/STOP	
2	05STOGONOFF	SWITCH,TOGGLE,ON/OFF,2 POLE	1
3	05TOGBOOT	BOOT, SWITCH, TOGGLE	1
4	06BR1A-RESEW28	BREAKER, 1A, RESET, ROCKER	1
5	06BR80A2PCA	BREAKER,80A,2P,CA,1 1/2	1
6	06BR401P12V	BREAKER, 40A, 12VDC	1
7	06REGSX460	REGULATOR,VOLTAGE,SX460	1
8	07CONECU63	CONTROLLER, ENGINE, ECU-63	1
	07CONECU64*	CONTROLLER, ENGINE, ECU-64	
9	07MHR-DIGITAL	METER,HOUR,DIGITAL,RECTANGLE	1
10	S-1506	PANEL, BACK , BOX, CONTROL, 184E-F, 2P CA BREAKER	1
11	S-1507	CONTROL BOX SIDE PANEL	1
12	S-1775	PANEL, FRONT , BOX, CONTROL, 184E-F	1
13	S-1777	PANEL, SIDE, NON-SERVICE, BOX, CONTROL, 184F	1
14	S-2250	PANEL, TOP, BOX, CONTROL, 184F, AIR CLEANER	1
15	S-2862	BRACKET, CONVERSION, TG TO ECU, 15-UP	1
-	07HRN5003K48	HARNESS, ENGINE, 03, ECU, 48" REMOTE CONNECTOR	1

* = OPTIONAL

Group 02-02 (Controls)

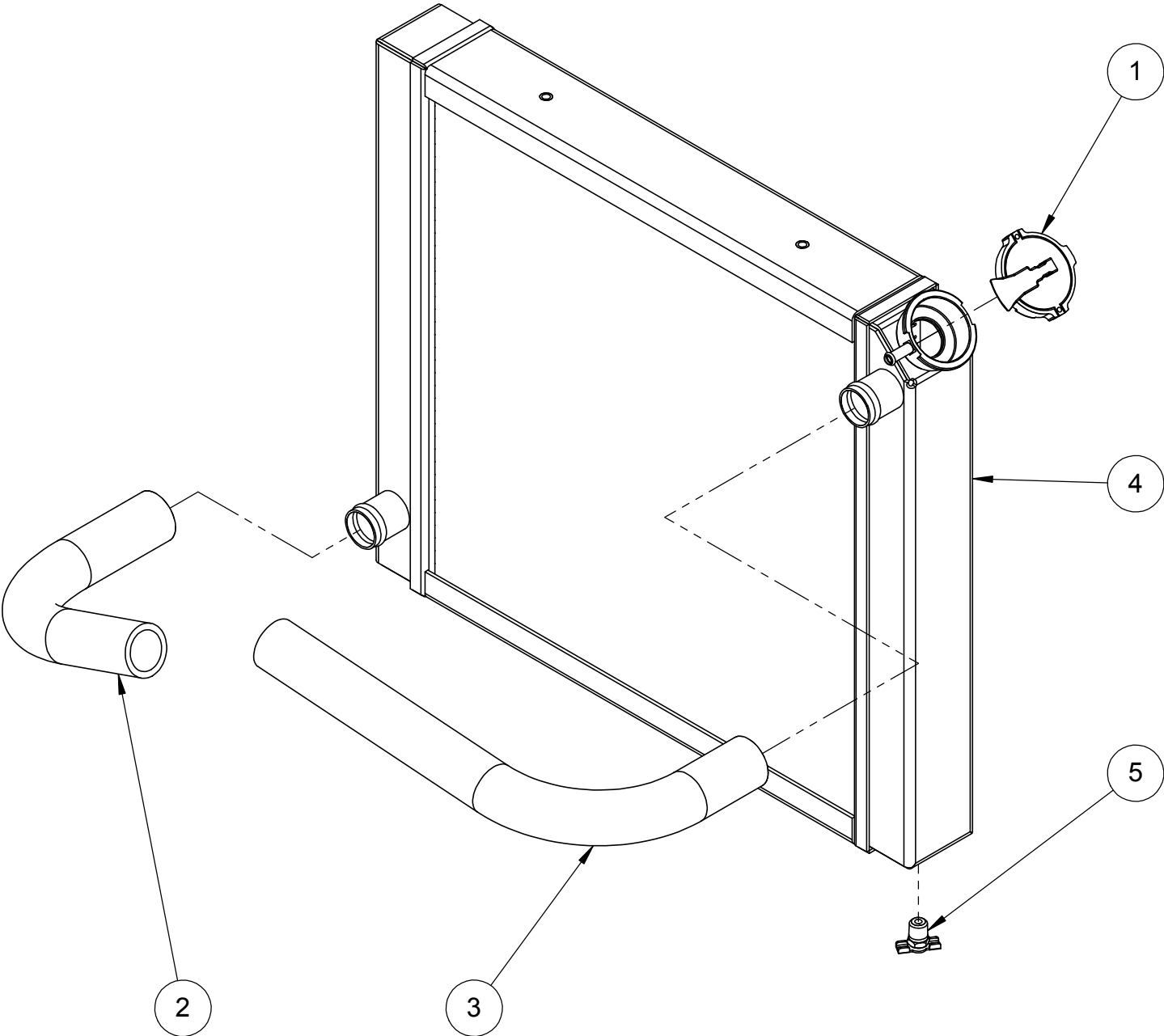


Group 02-02 BOM (Controls)

ITEM	PART NUMBER	DESCRIPTION	QTY
1	05STOGONOFF	SWITCH,TOGGLE,ON/OFF,2 POLE	1
2	05TOGBOOT	BOOT, SWITCH, TOGGLE	1
3	06BR5A-RESEW28	BREAKER, 5A, RESET, ROCKER	1
4	06BR80A2PCA	BREAKER,80A,2P,CA,1 1/2	1
5	06BR401P12V	BREAKER, 40A, 12VDC	1
6	07TG410	CONTROLLER, ELECTRONIC, PTG410	1
	07TG350*	CONTROLLER, ELECTRONIC, PTG350	
7	S-1506	PANEL, BACK , BOX, CONTROL, 184E-F, 2P CA BREAKER	1
8	S-1507	CONTROL BOX SIDE PANEL	1
9	S-1775	PANEL, FRONT , BOX, CONTROL, 184E-F	1
10	S-1777	PANEL, SIDE, NON-SERVICE, BOX, CONTROL, 184F	1
11	S-2250	PANEL, TOP, BOX, CONTROL, 184F, AIR CLEANER	1
-	07HRN5003K48-TG	HARNESS, ENGINE, TG , 48 INCH PIGTAIL	1
-	07HRNCON03M	HARNESS, GOVERNOR, KUBOTA, 03M, 60 Hz	1
-	07LACTG	PPIGTAIL, SENSING, AC, TG SERIES	1

* = OPTIONAL

Group 03 (Radiator)

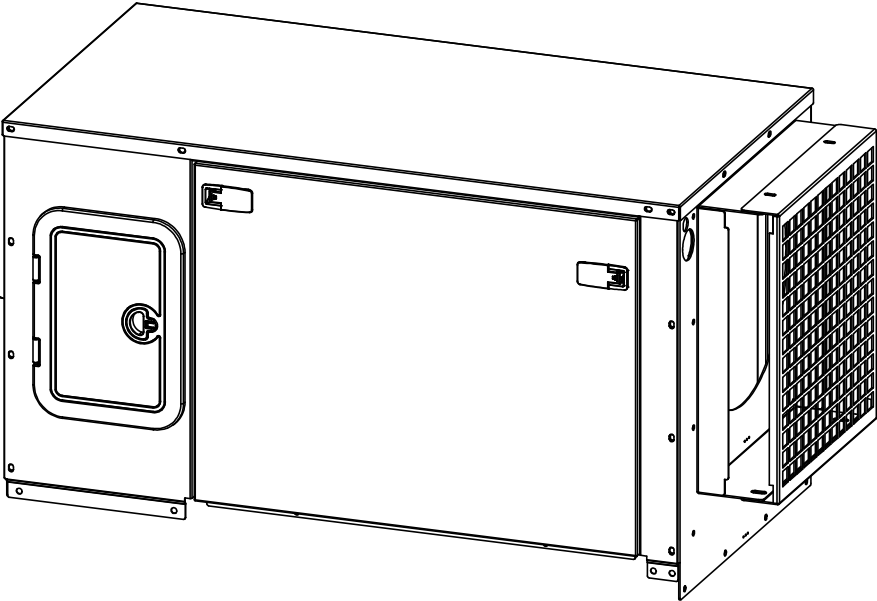


Group 03 BOM (Radiator)

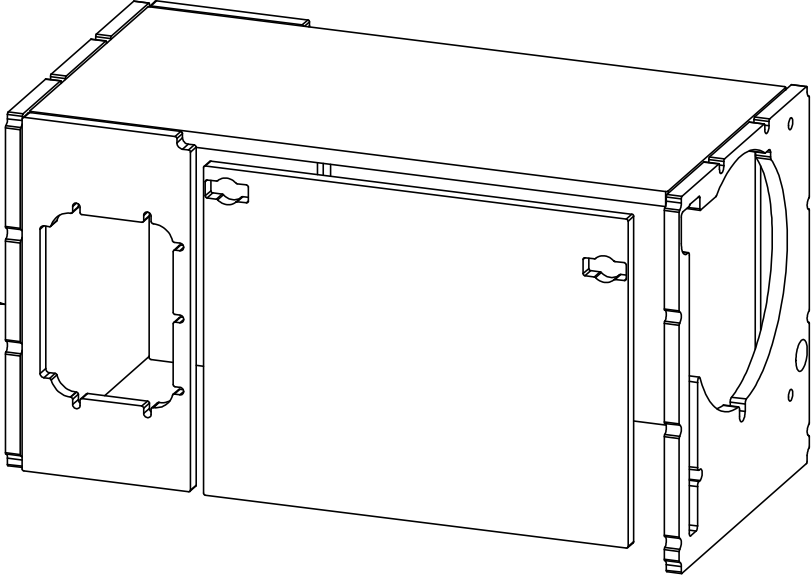
ITEM	PART NUMBER	DESCRIPTION	QTY.
1	03CSP13	CAP, RADIATOR, 13#, RELEASE	1
2	03HS0203L	HOSE,RADIATOR,LOWER,520,03	1
3	03HS0203U	HOSE,RADIATOR,UPPER,520,03	1
4	03RAD520-ALUM	RADIATOR, ALUMINUM, 520, 03	1
5	BR6788	DRAIN COCK, BRASS, 1/4" STRAIGHT, LONG	1

Group 04 (Enclosure)

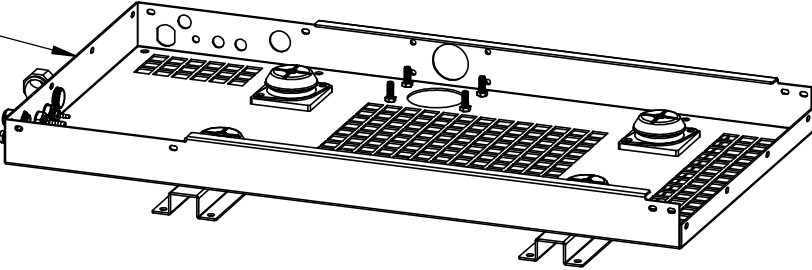
GROUP 04-02



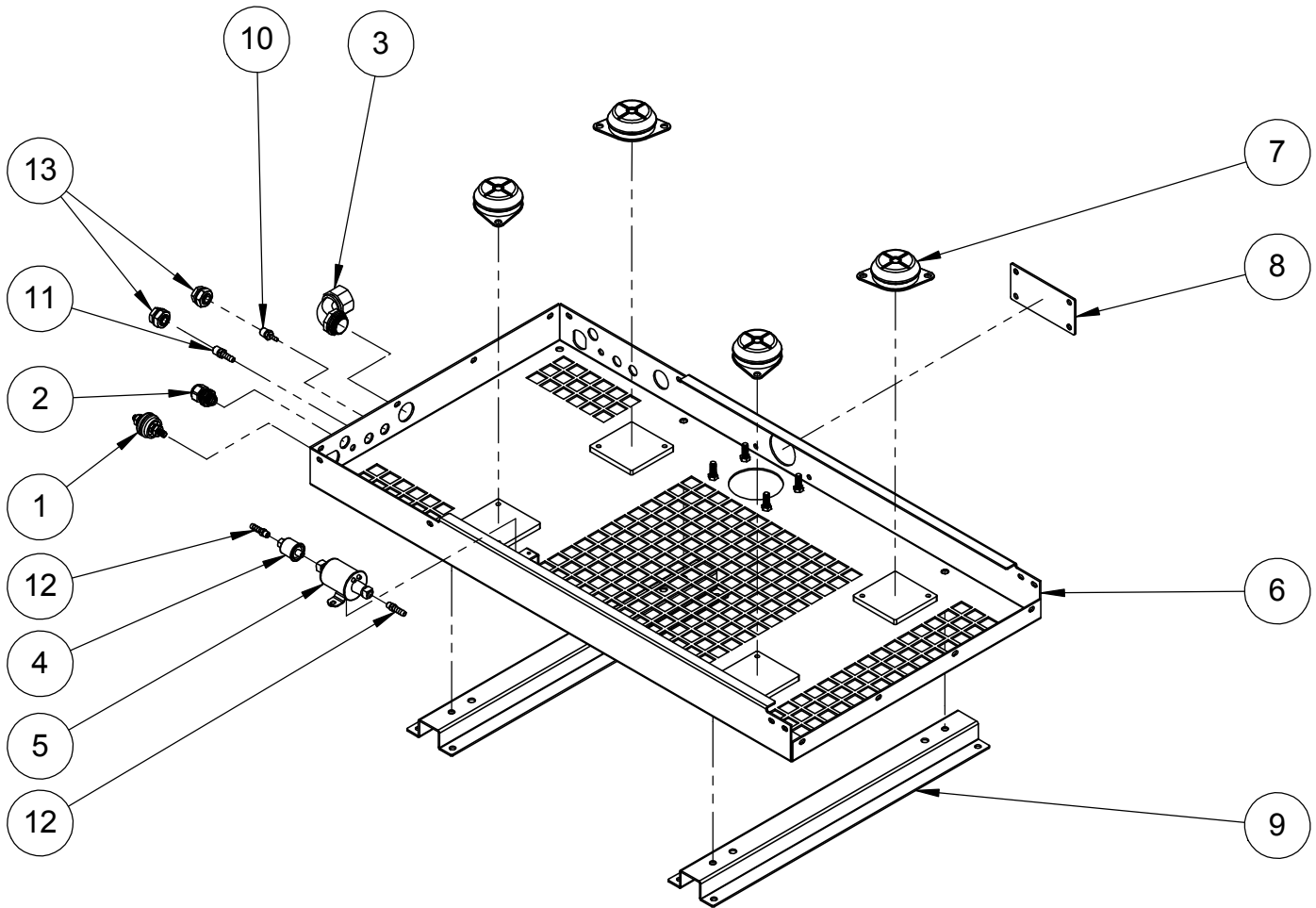
GROUP 04-03



GROUP 04-01

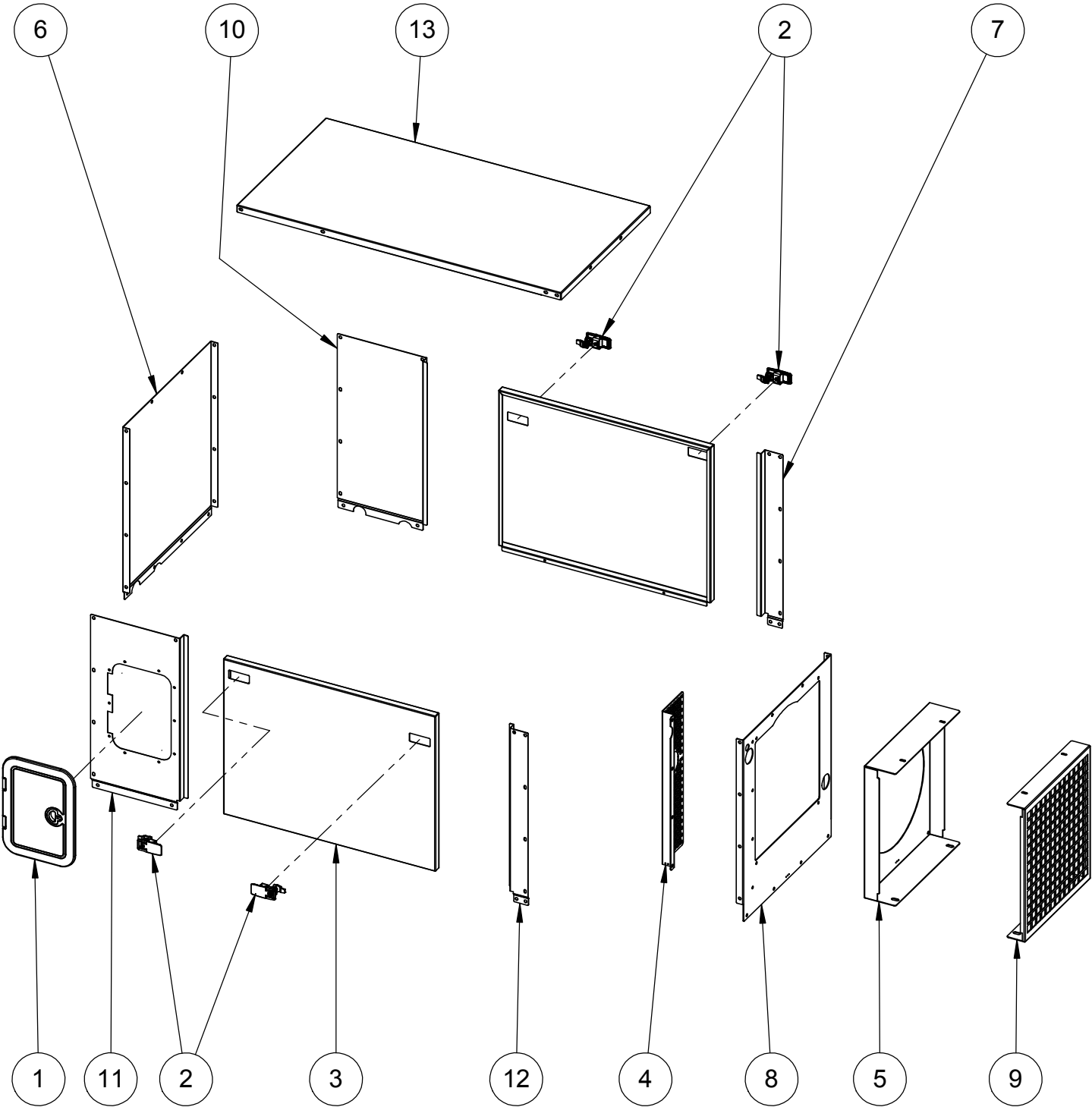


Group 04-01 (Base Pan)



ITEM	PART NUMBER	DESCRIPTION	QTY.
1	05BATICOL	ISOLATOR, BATTERY, POSITIVE	1
2	06CG12	GRIP, CORD, 1/2"	1
3	07CF1X90	CONNECTOR, CONDUIT, LIQUID TIGHT, 1" X 90°	1
4	08FFG17B	FILTER, FUEL, INLINE, G17B	1
5	08PE7061	PUMP, FUEL, ELEC, 12V	1
6	09BP20-2A	BASEPAN	1
7	09MNT100B	MOUNT,ENGINE,KSI	4
8	09PB20	PLATE,BLOCK OFF,SIDEOUT/FLOOR FLANGE	1
9	09SM20-2R	BASEPAN RISERS	2
10	BR316HX14MP	BARB, HOSE, 3/16H X 1/4NPT, BRASS	1
11	BR516HX14MP	BARB, HOSE, 5/16H X 1/4NPT, BRASS	1
12	BR516HX18MP	BARB,HOSE,5/16H X 1/8NPT,BRASS	2
13	BRW21204	BULKHEAD,BRASS,SHORT	2

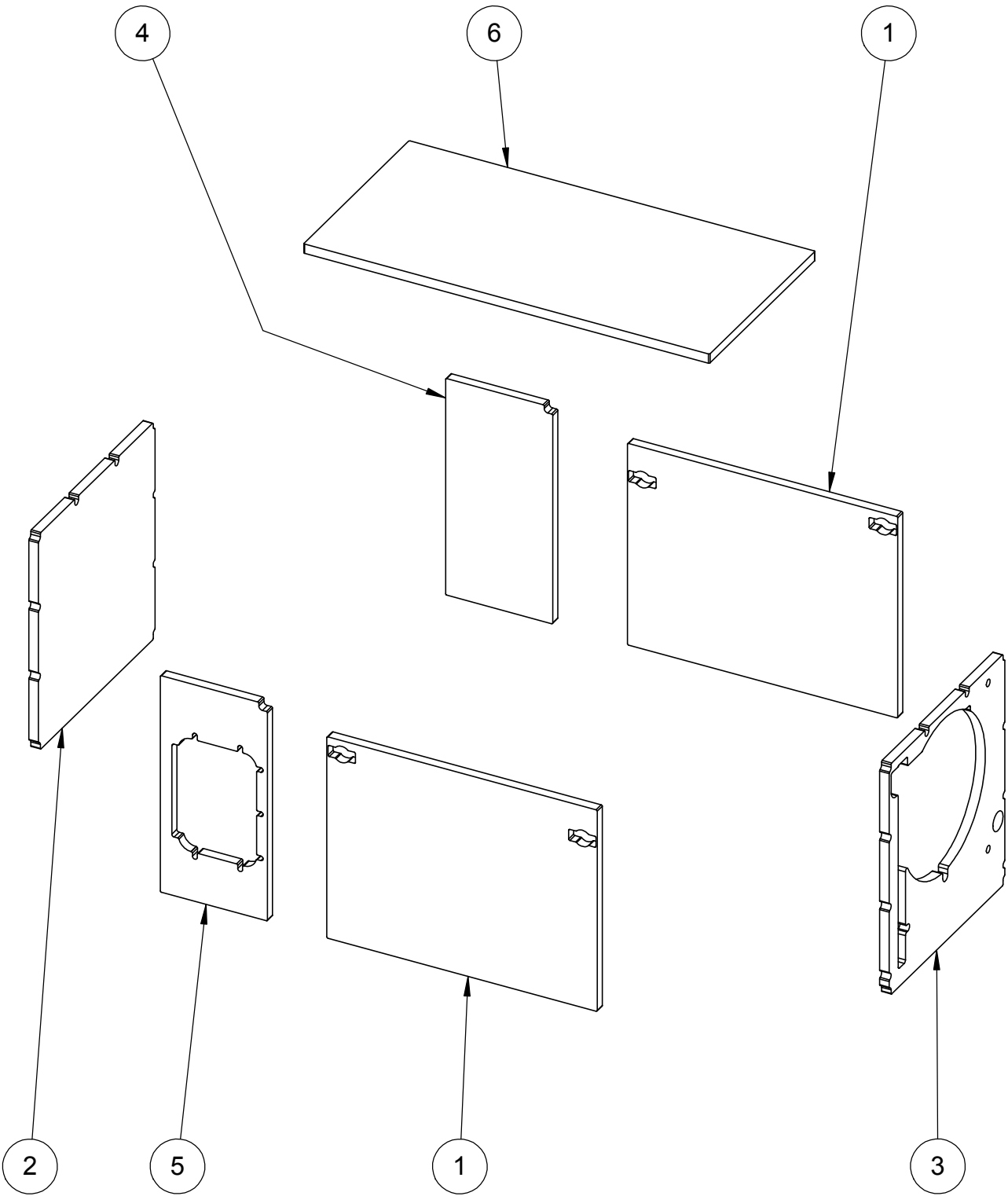
Group 04-02 (Sheetmetal)



Group 04-02 BOM (Sheetmetal)

ITEM	PART NUMBER	DESCRIPTION	QTY.
1	09ADAPU	DOOR,ACCESS,APU	1
2	09LTC10	LATCH, FLUSH MOUNT	4
3	09SM20-2D	SHTMTL,DOOR,DROP IN,20KSI-2	2
4	09SM20-2FG-520A	SHTMTL,GUARD,FAN	1
5	09SM20-2FS-520A	SHTMTL,SHROUD,FAN	1
6	09SM20-2GE	SHTMTL,END,GEN,20KSI-2	1
7	09SM20-2NSS	SHTMTL,SIDE,NON SERVICE,FRONT	1
8	09SM20-2RE-520A	SHTMTL,END,RAD,20KSI-2A	1
9	09SM20-2RG-520A	SHTMTL,GUARD,ROCK,520	1
10	09SM20-2RNSSA	SHTMTL,SIDE,SERVICE,REAR	1
11	09SM20-2RSSA	SHTMTL,SIDE,NON SERVICE,REAR	1
12	09SM20-2SS	SHTMTL,SIDE,SERVICE,FRONT	1
13	09SM20-2TA	SHTMTL, TOP,20KSI-2A	1

Group 04-03 (Sound Foam)



Group 04-03 BOM (Sound Foam)

ITEM	PART NUMBER	DESCRIPTION	QTY.
1	09SM20-2D-SF	INSULATION,DOOR,DROP IN	2
2	09SM20-2GE-SF	INSULATION,END,GEN	1
3	09SM20-2RE-520A-SF	INSULATION,END,RAD,520A	1
4	09SM20-2RNSSA-SF	INSULATION,SIDE,SERVICE,REAR	1
5	09SM20-2RSSA-SF	INSULATION,SIDE,REAR,SERVICE	1
6	09SM20-2TA-SF	INSULATION,TOP	1