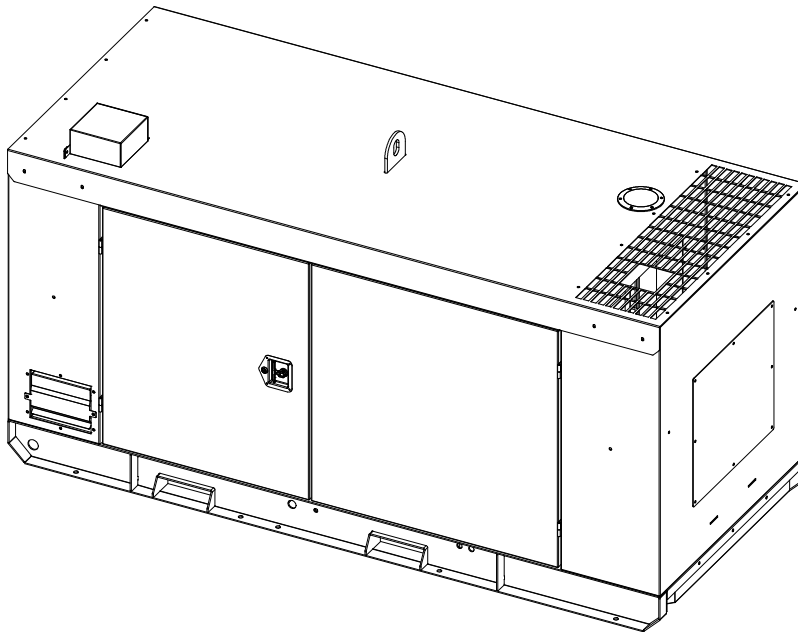




Parts List

PTi-60PSB



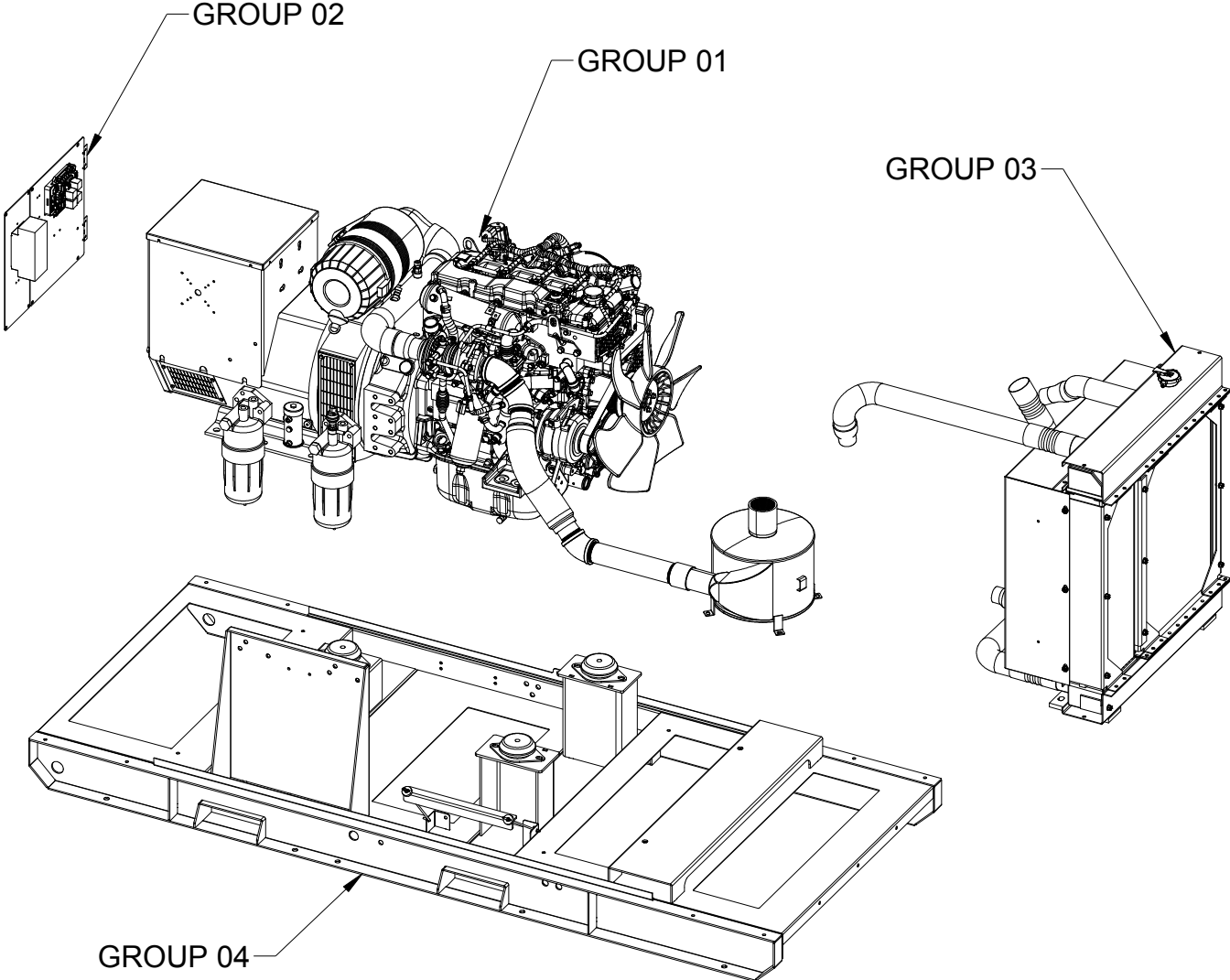
Power Technology Southeast
634 SR 44 W
Leesburg, FL 34748
Phone: 800-760-0027
Fax: 352-787-5545
www.powertechparts.com

We recommend that you contact an authorized Power Technology S.E. dealer for all maintenance and repairs of the generator. If you perform any maintenance or repairs, first disconnect the battery and/or lock out the ignition to prevent unintentional start-up. Unintentional start-up can result in serious injury and/or death.

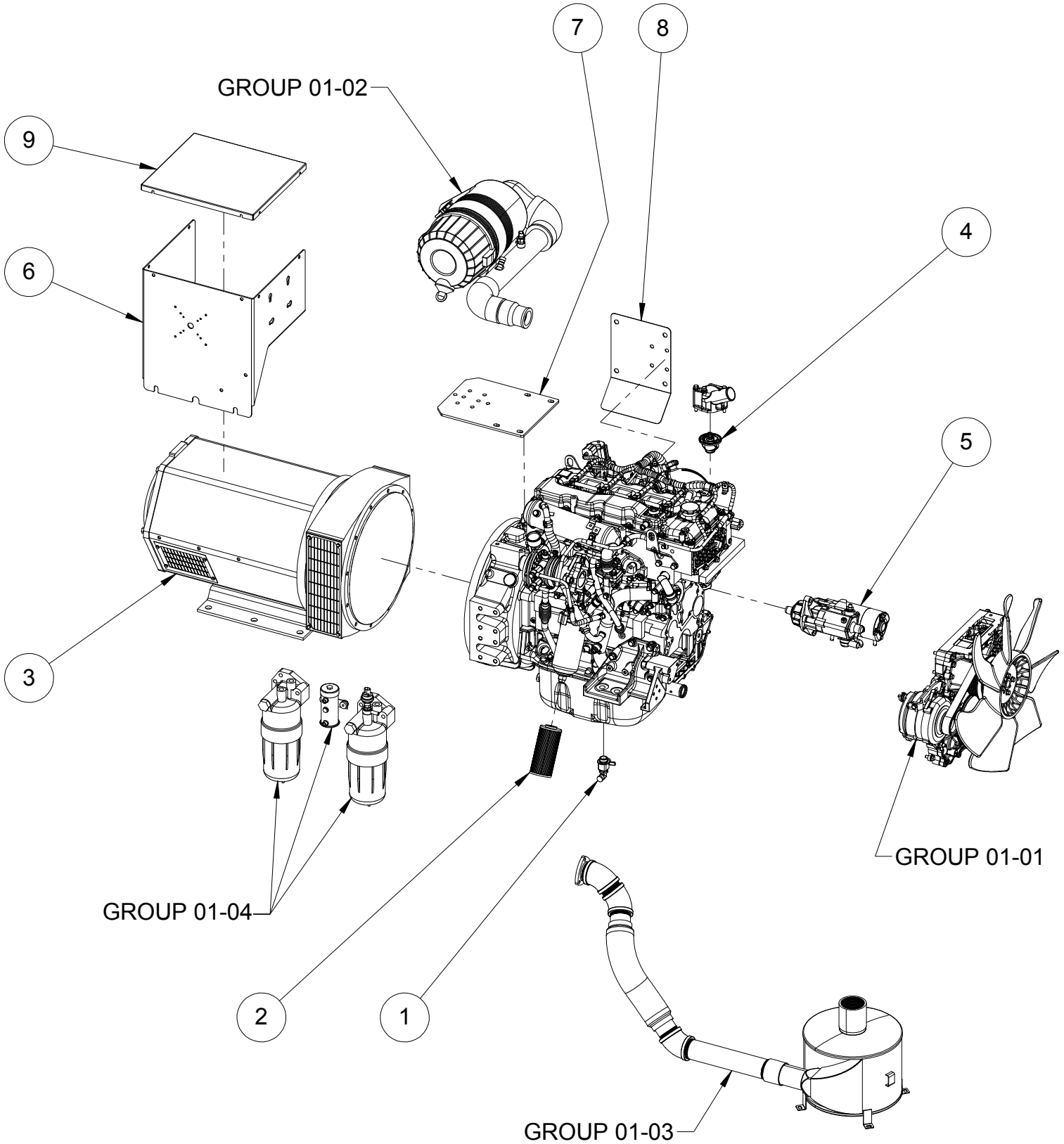
Use only Power Technology parts. Other parts may not perform as well, may damage the generator set, and may result in injury. In addition, use of other parts may void your warranty.

This parts list was current at the time of printing. Production changes and installed options may result in changes that are not covered in this parts list. Production units and associated parts are subject to change without notice. For the most up to date parts information, please contact the factory with the Power Tech model number and serial number.

Group 00 (Complete Generator)



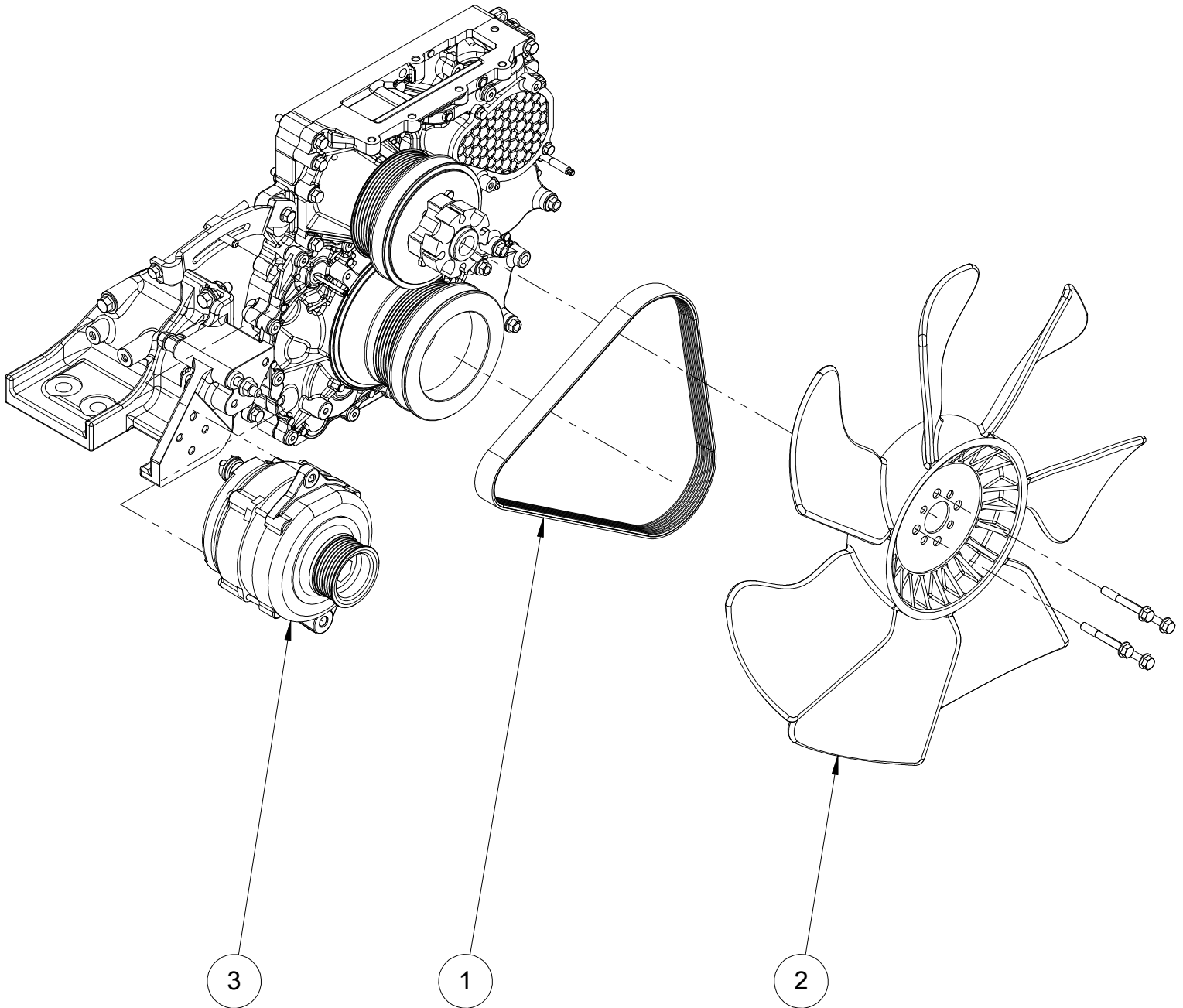
Group 01 (Engine)



Group 01 BOM (Engine)

ITEM	PART NUMBER	DESCRIPTION	QTY
1	01FEZ6L	VALVE, DRAIN, OIL, 24MM X 2.0, 90DEG	1
2	01FO4JJ	ELEMENT, FILTER, OIL, 4JJ	1
3	02GEN-UC224F1	GENERATOR, N-TYPE, 60KW, SAE3/11.5, 4WIRE	1
	02GENBBD6112	GENERATOR, A-TYPE, 60KW, SAE3/11.5, 12WIRE	
4	03THM4JJ	THERMOSTAT, 4JJ	1
5	05ALT4JJXYGV02	STARTER, 4JJ	1
6	S-1086	ROTARY SWITCH BRACKET	1
7	S-2080	BRACKET, FILTER, AIR, 4JJ	1
8	S-2402	SHIELD, HEAT, GENERATOR	1
9	S-2735	PANEL,LID	1

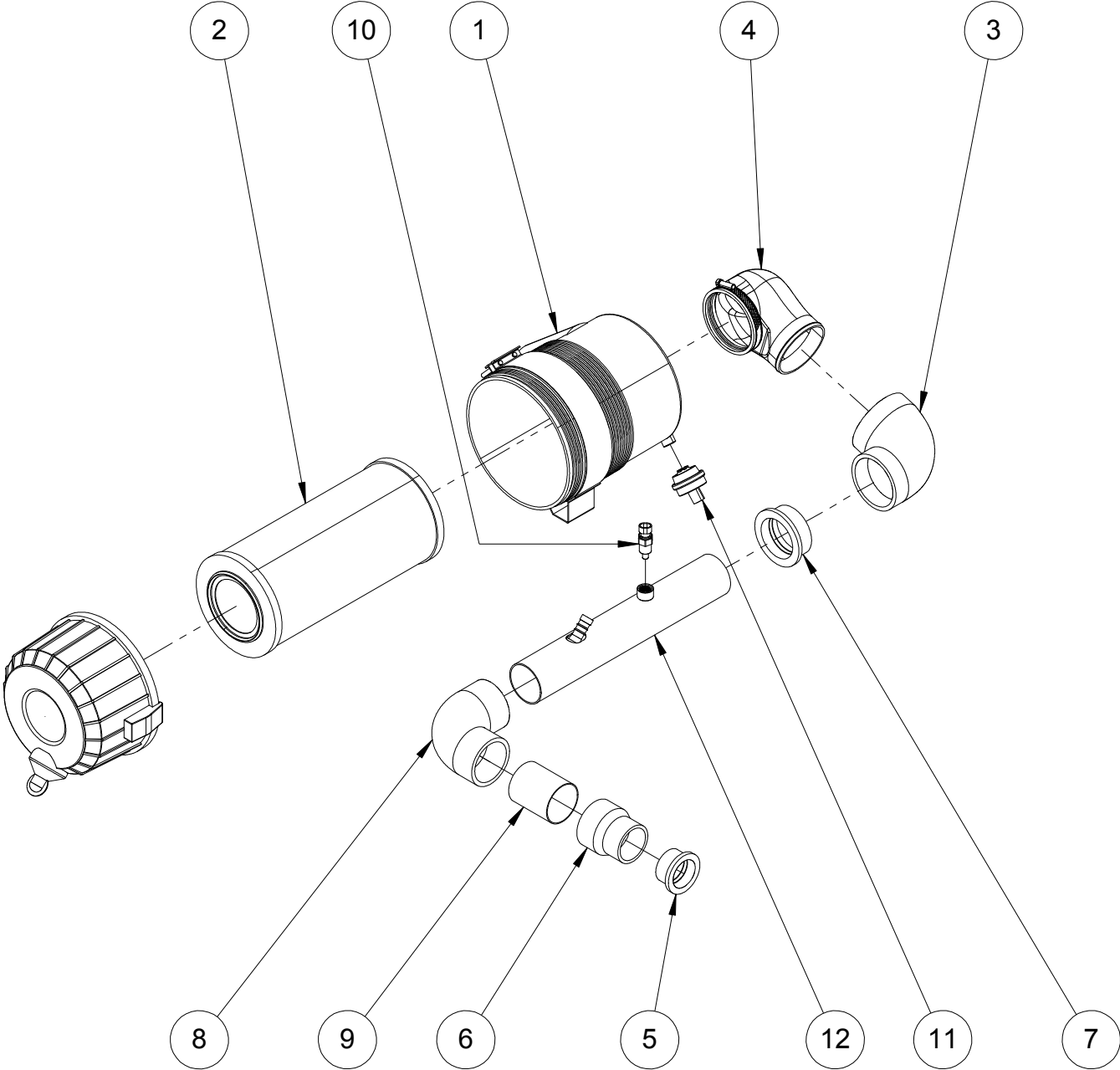
Group 01-01 (Engine Front)



Group 01-01 BOM (Engine Front)

ITEM	PART NUMBER	DESCRIPTION	QTY
1	03BF4JJ	BELT, DRIVE, FAN/ALT, ISUZU, 4JJ	1
2	03FAN4JJ	FAN, PUSHER, ISUZU, 4JJ, STOCK	1
3	05ALT4JJ1XYGV02	ALTERNATOR, ISUZU, 4JJ	1

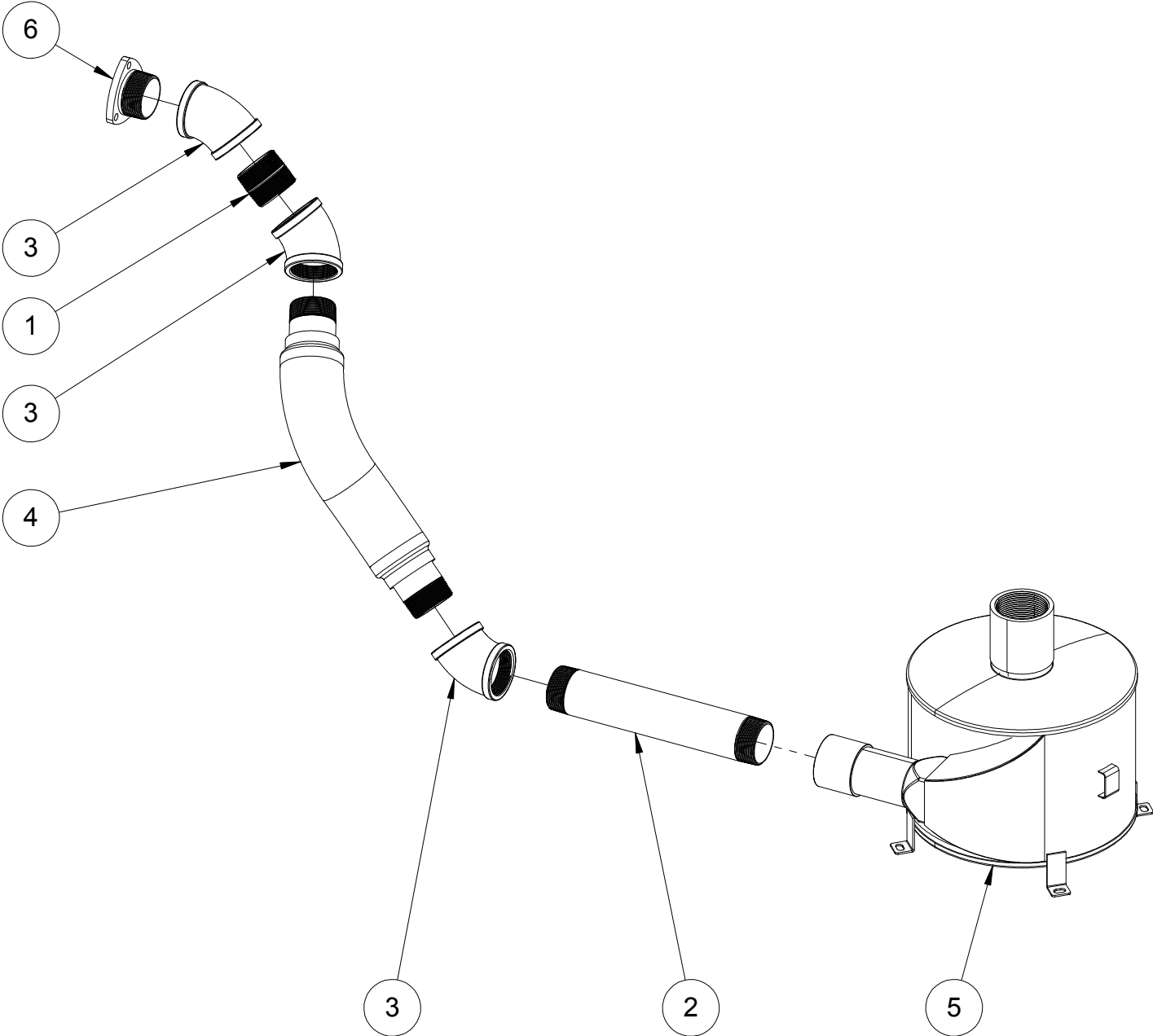
Group 01-02 (Intake)



Group 01-02 BOM (Intake)

ITEM	PART NUMBER	DESCRIPTION	QTY
1	04AC68160	FILTER, AIR, 3.75, PLASTIC, EA	1
2	04FA375E1	ELEMENT, FILTER, AIR	1
3	04HAL62540	ELBOW, 90°, RUBBER, 3-1/2 X 3	1
4	04HAL68377	ELBOW, STREET, 90°, RUBBER, 3-1/2	1
5	04HSA134X2	REDUCER, INSERT, RUBBER, 1-3/4" X 2"	1
6	04HSA2X250S	REDUCER, SLEEVE, SILICONE, 2 X 2-1/2	1
7	04HSA3X212RB	REDUCER, INSERT, RUBBER, 2-1/2" X 3"	1
8	04HSAIRL2500	HOSE, INTAKE, 2-1/2",90°	1
9	04IP25X3	PIPE, INTAKE, 2-1/2" X 3"	1
10	04SA4LEV05	SENSOR, INTAKE, 4LEV05	1
11	05SA22	SWITCH, RESTRICTION, AIR, 22"H2O	1
12	SA-1276	PIPE ASSEMBLY, INTAKE, 2-1/2" X 15", 4JJ 60KW	1
-	06PH1778-18	PIGTAIL, FILTER MINDER, 2- WIRE	1

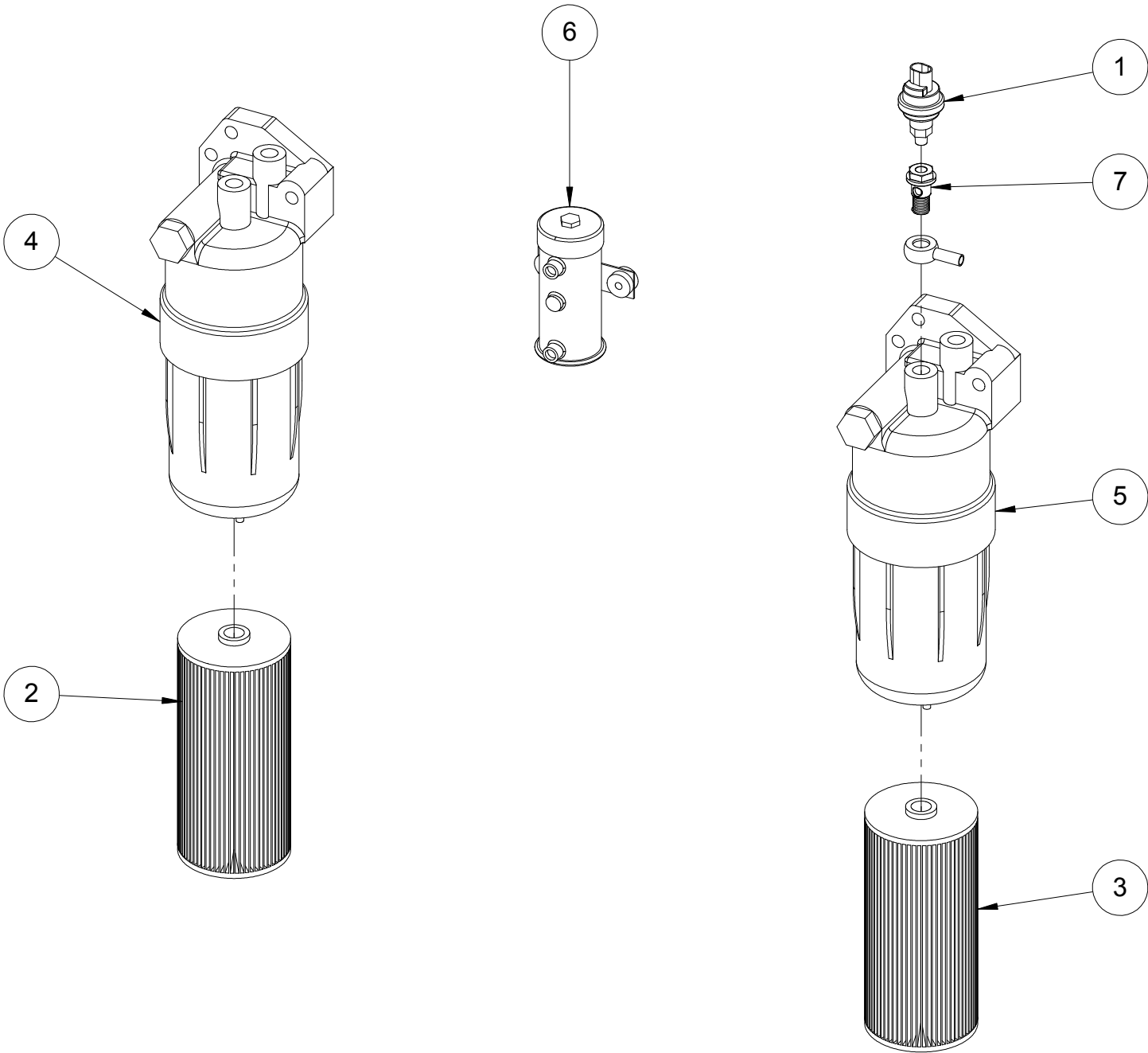
Group 01-03 (Exhaust)



Group 01-03 BOM (Exhaust)

ITEM	PART NUMBER	DESCRIPTION	QTY
1	BP2CN	NIPPLE, CLOSE, 2"	1
2	BP2X12N	BP NIPPLE 2 X 12"	1
3	BP2X45L	ELBOW, 45°, 2"	3
4	SA-1260	FLEXPIPE ASSY, BRAIDED, 2" NPT X 16.5", M X M	1
5	SA-1293	MUFFLER ASSEMBLY, SITO, 60 KW PORTABLE	1
6	SA-1308	FLANGE ASSEMBLY, EXHAUST, 2" X 1-1/4", 3 BOLT	1
-	04BLKF21	BLANKET, PIPE, FLEX, 21" X 45DG X 3.375" ID	1
-	04BLKF22	BLANKET, PIPE, FLEX, 22" X 2.5" ID	1

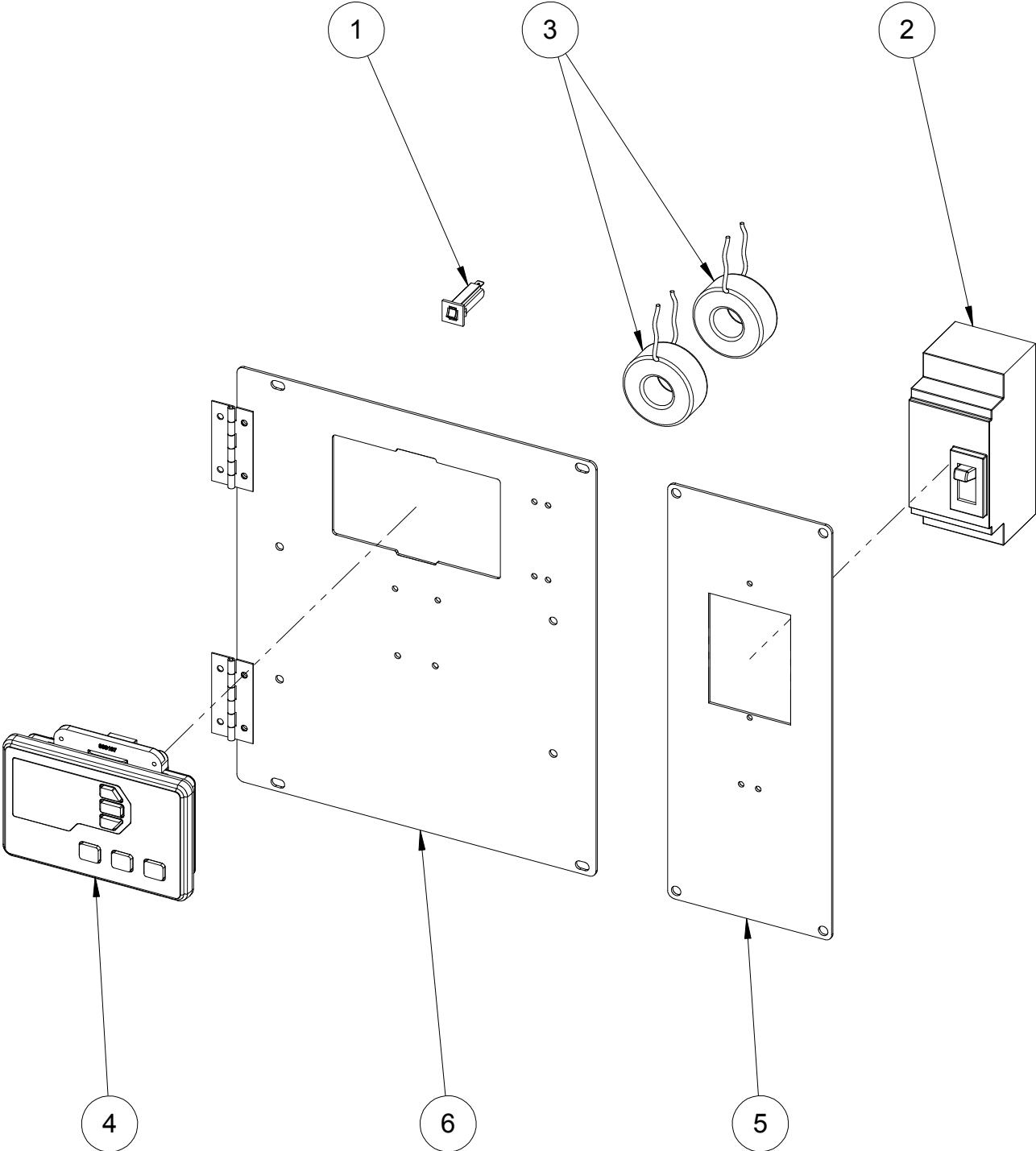
Group 01-04 (Fuel)



Group 01-04 BOM (Fuel)

ITEM	PART NUMBER	DESCRIPTION	QTY
1	05SF30	SWITCH, RESTRICTION, FUEL, 30 KPA	1
2	08FF4JJ-P	ELEMENT, FILTER, FUEL, 4JJ, PRE-FILTER	1
3	08FF4JJ-S	ELEMENT, FILTER, FUEL, 4JJ, SECONDARY	1
4	08FF4JJP	FILTER, FUEL, ISUZU, 4JJ, PRE-FILTER	1
5	08FF4JJS	FILTER, FUEL, ISUZU, 4JJ, SECONDARY	1
6	08PE4LE	PUMP, FUEL, ELECTRIC, 12V, 4LE	1
7	S-2896	FITTING, BANJO, M16, 1/8" NPT TAP	1
-	06PH1778-18	PIGTAIL, FILTER MINDER, 2- WIRE	1

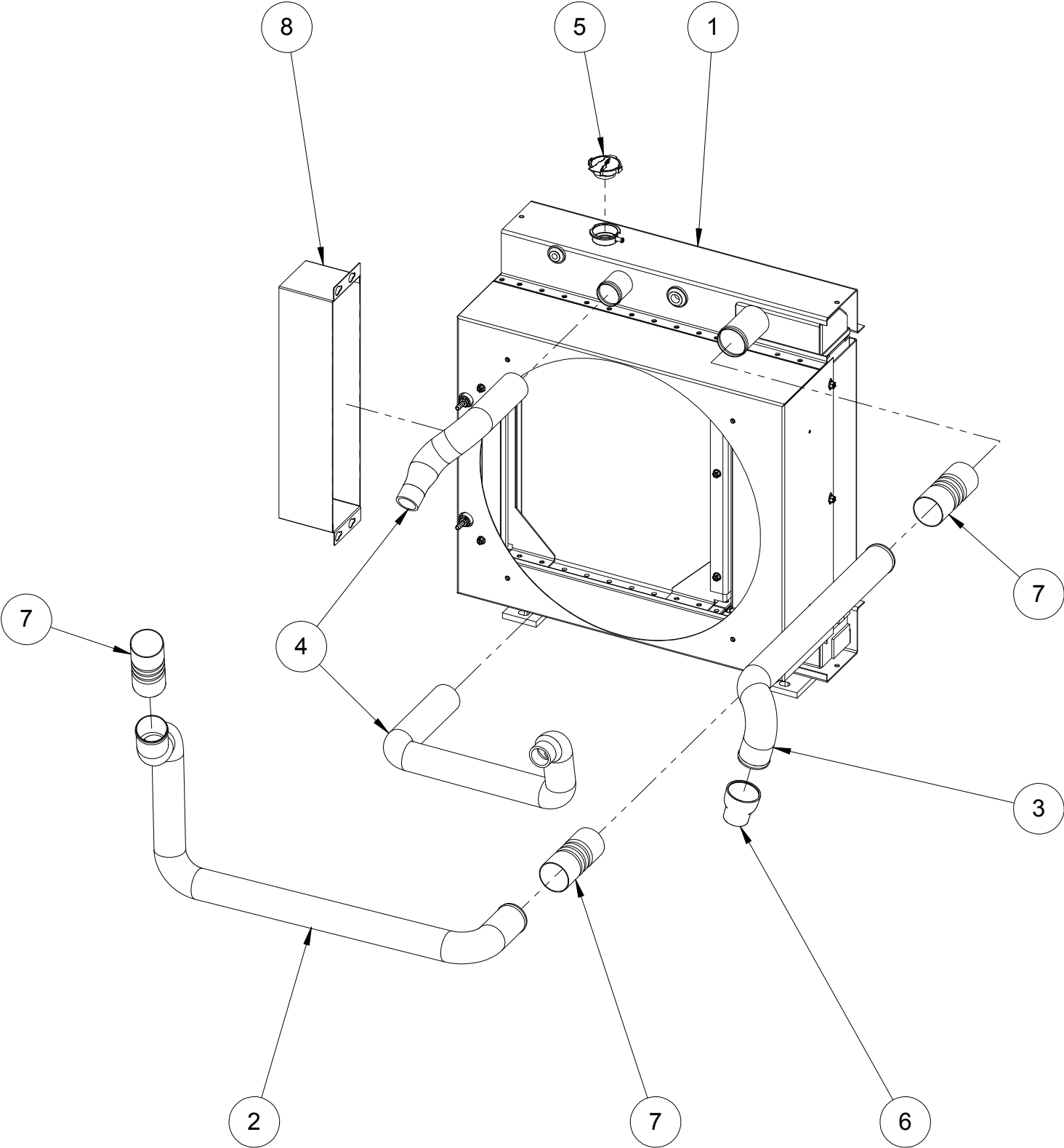
Group 02 (Control Panel)



Group 02 BOM (Control Panel)

ITEM	PART NUMBER	DESCRIPTION	QTY
1	06BR10A-RESEW28	BREAKER, 10A, RESET, ROCKER	1
2	06BR250A2P	BREAKER, 250AMP, 2P, QBL	1
3	06CT2505	TRANSFORMER, CURRENT, 250:5	2
4	07TG410	CONTROLLER, ELECTRONIC, PTG410	1
5	S-1165	BREAKER PANEL GEN END	1
6	SA-1167	PANEL ASSEMBLY,DISPLAY	1
-	07HRN4LEC	HARNESS, CONTROL, ELECTRONIC ENGINE	1
-	07HRNE4JJ	HARNESS, ENGINE, 4JJ	1
-	07HRNEEIMH	LEAD, INTERMEDIATE, 2.5FT, ELECTRONIC ENGINES	1
-	07LACTG-L	PIGTAIL, SENSING, AC, TG SERIES, 36"	1

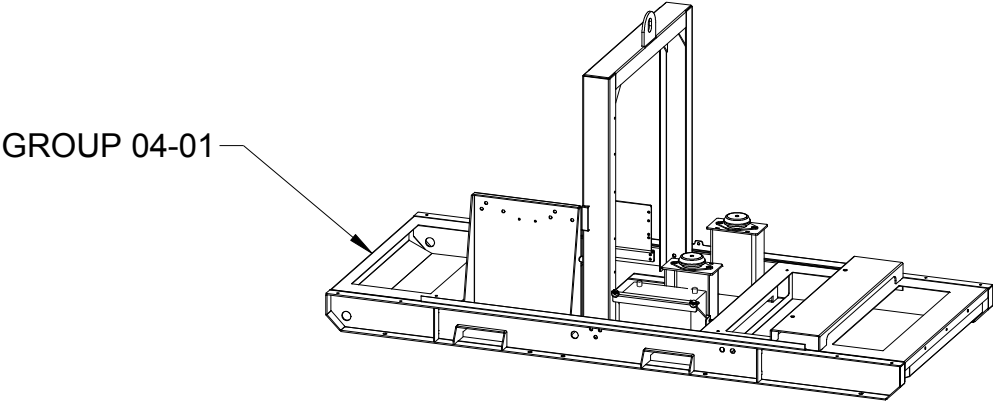
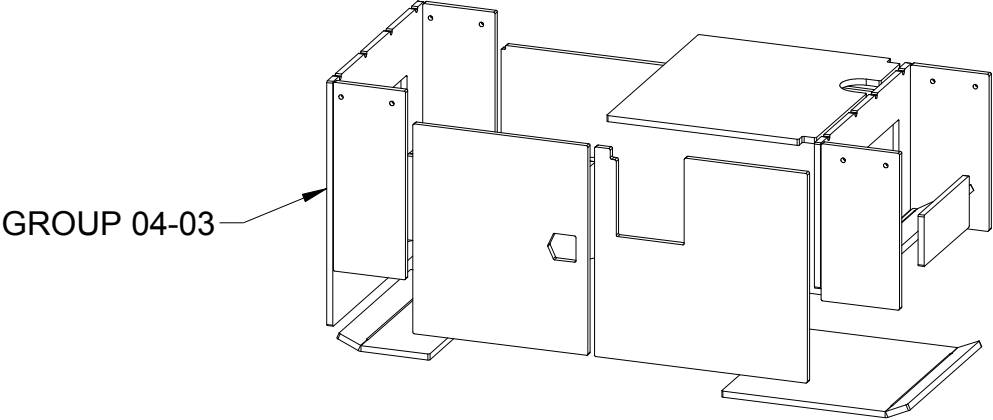
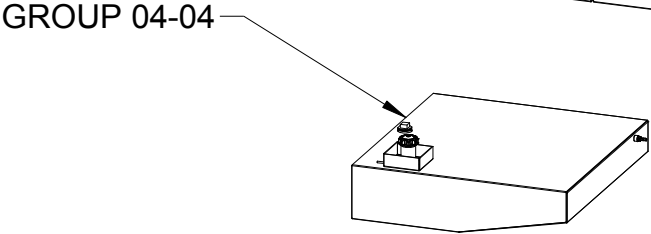
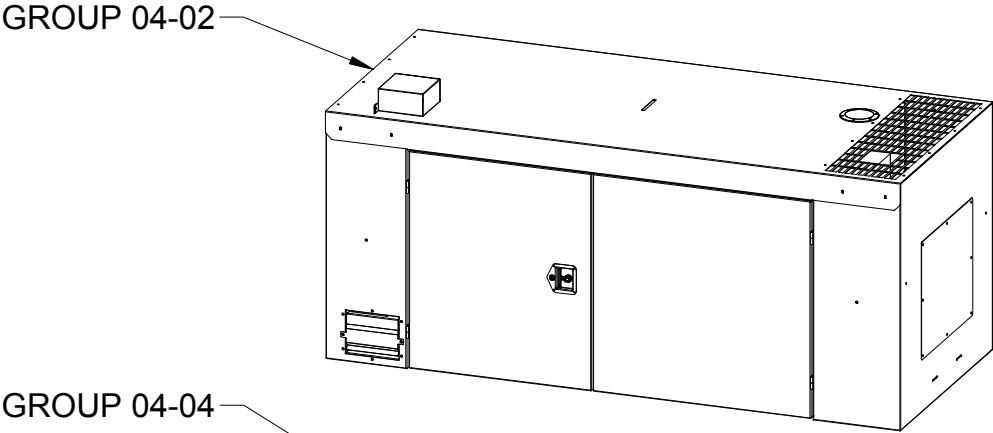
Group 03 (Radiator)



Group 03 BOM (Radiator)

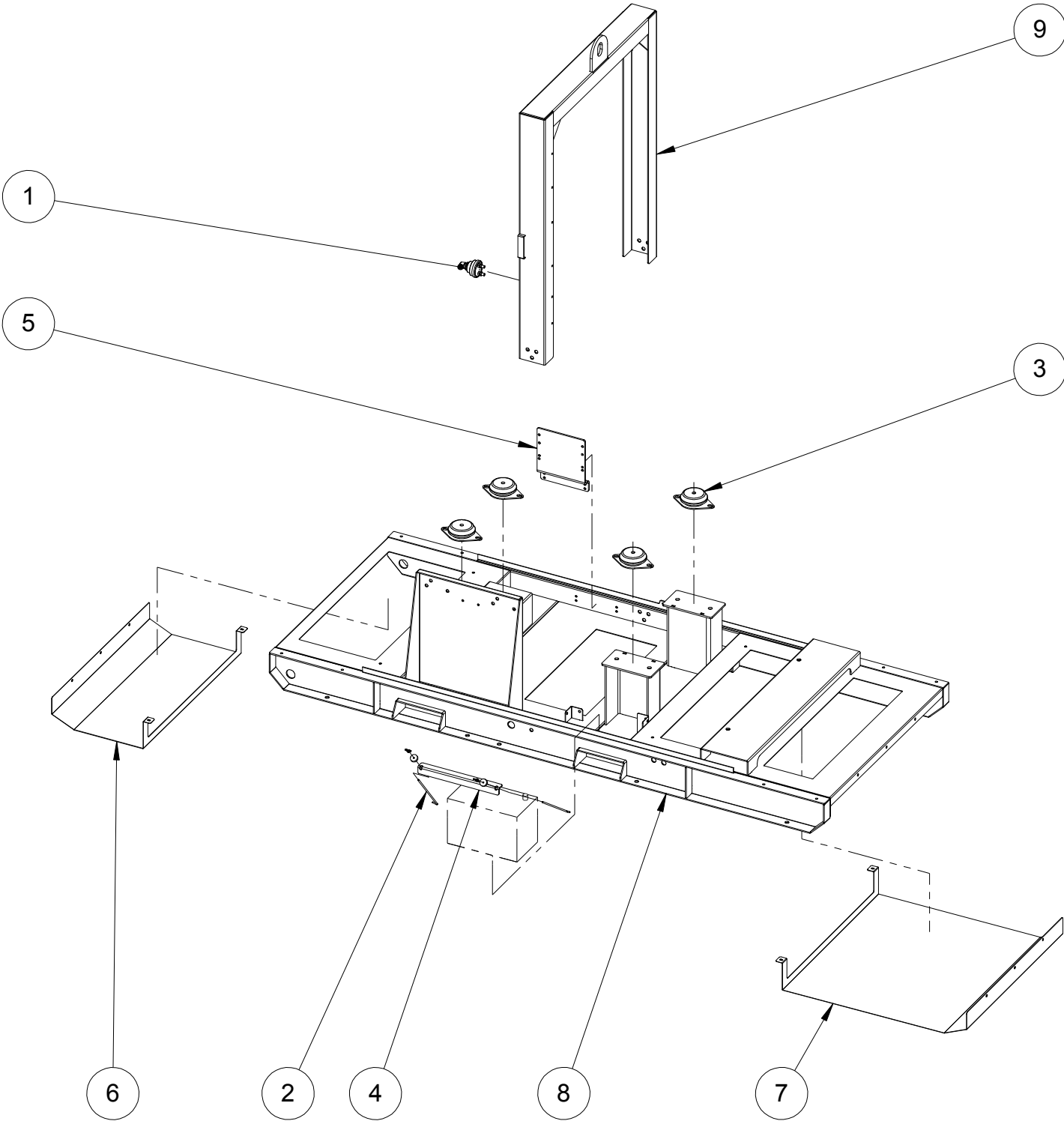
ITEM	PART NUMBER	DESCRIPTION	QTY
1	03-5F1218	RADIATOR, 4JJ, ISUZU SPEC	1
2	03-5F1167	PIPE, CAC, 4JJ, LOWER	1
3	03-5F1196	PIPE, CAC, 4JJ, UPPER	1
4	03-5F1243	KIT, HOSE, RADIATOR, 4JJ	1
5	03CSP13	CAP, RADIATOR, 13#, RELEASE	1
6	04HSA25X175	REDUCER, SLEEVE, SILICONE, 2-1/2 X 1-3/4	1
7	04HSA25X6	CAC CONNECTOR, 2.5" ID X 6"	3
8	SA-1287	DUCT AIR, FUEL COOLER, 60 KW PORTABLE	1

Group 04 (Enclosure)



This page intentionally left blank

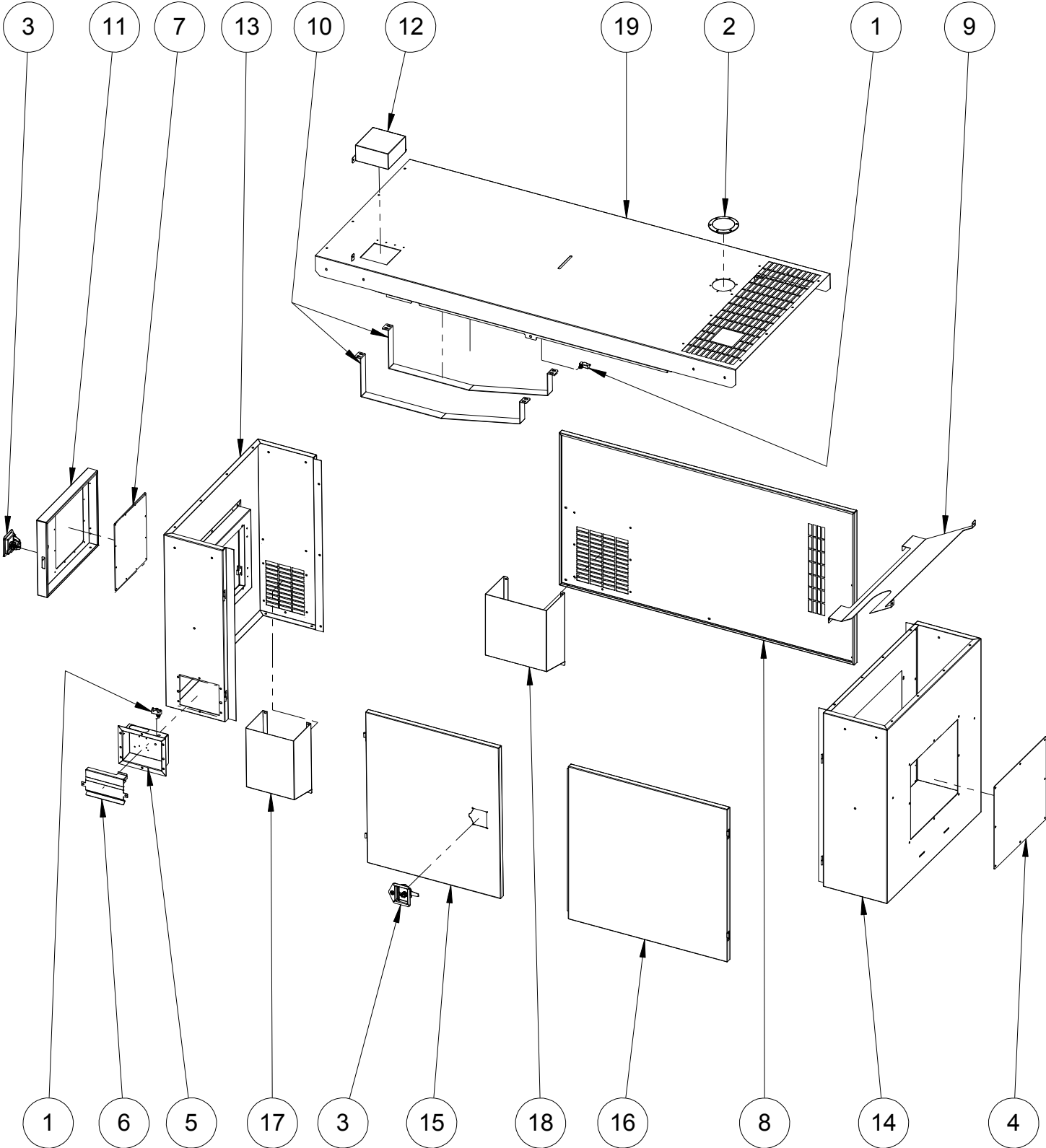
Group 04-01 (Base Pan)



Group 04-01 BOM (Base Pan)

ITEM	PART NUMBER	DESCRIPTION	QTY
1	05BATDC	SWITCH, DISCONNECT, BATTERY	1
2	09JBOLT	BOLT KIT, J, HOLD DOWN, BATTERY	1
3	09MNT350B	MOUNT, ENGINE, 350B, 60W	4
4	S-1033	BATTERY CLAMP	1
5	S-2269	ECU BRACKET	1
6	S-2377	DEFLECTOR, AIR, GEN END, BOTTOM	1
7	S-2378	DEFLECTOR, AIR, RAD END, BOTTOM	1
8	SA-1279	BASE ASSY, SKID, 60KW, 4JJ, BBD, PORTABLE	1
9	SA-1283	BRACKET ASSEMBLY, LIFT	1

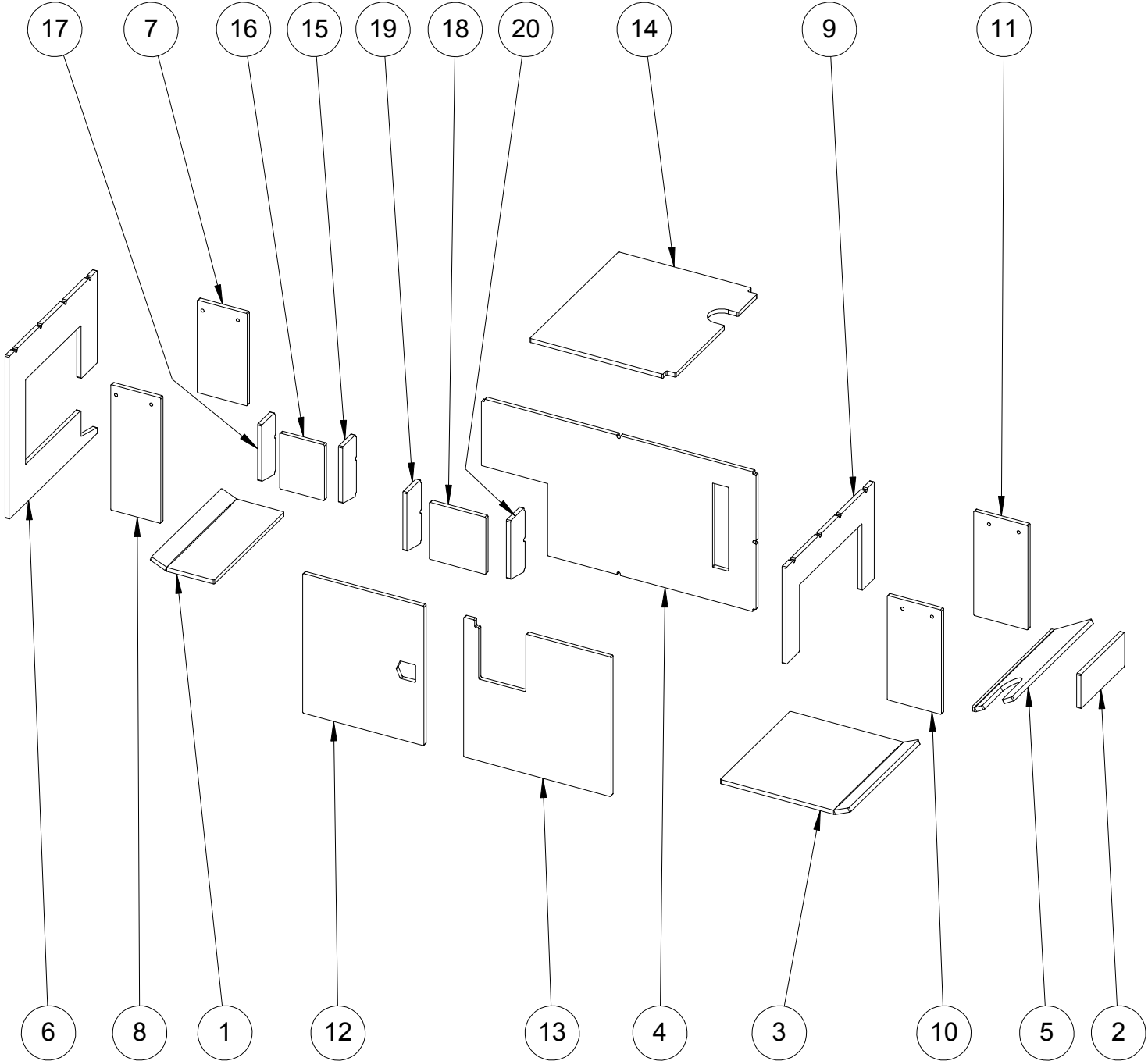
Group 04-02 (Sheetmetal)



Group 04-02 BOM (Sheetmetal)

ITEM	PART NUMBER	DESCRIPTION	QTY
1	05SS	SWITCH, SNAP, DOOR	2
2	09DECK4	PLATE, DECK ,4"	1
3	09LTC484-545	LATCH, T-HANDLE, LOCKING, STAINLESS STEEL	2
4	S-1040	RAD END PANEL COVER	1
5	S-1050	TERMINAL BOX	1
6	S-1053	TERMINAL BOX COVER	1
7	S-1059	WINDOW, VIEWING, CONTROL, PSB	1
8	S-2380	PANEL, SIDE, NON-SERVICE	1
9	S-2406	DEFLECTOR, AIR, RADIATOR	1
10	S-2438	STRAP, TANK, FUEL, 60KW PORTABLE	2
11	SA-1011	GEN END DOOR ASSY	1
12	SA-1012	FUEL FILL COVER	1
13	SA-1281	PANEL ASSEMBLY, END, GENERATOR	1
14	SA-1282	PANEL ASSEMBLY, END, RADIATOR	1
15	SA-1284	DOOR ASSEMBLY, LEFT, HINGED	1
16	SA-1285	DOOR ASSEMBLY, RIGHT, HINGED	1
17	SA-1288	DEFLECTOR, AIR, END, GENERATOR	1
18	SA-1290	DEFLECTOR, AIR, SIDE, NON-SERVICE	1
19	SA-1307	PANEL ASSEMBLY, TOP	1

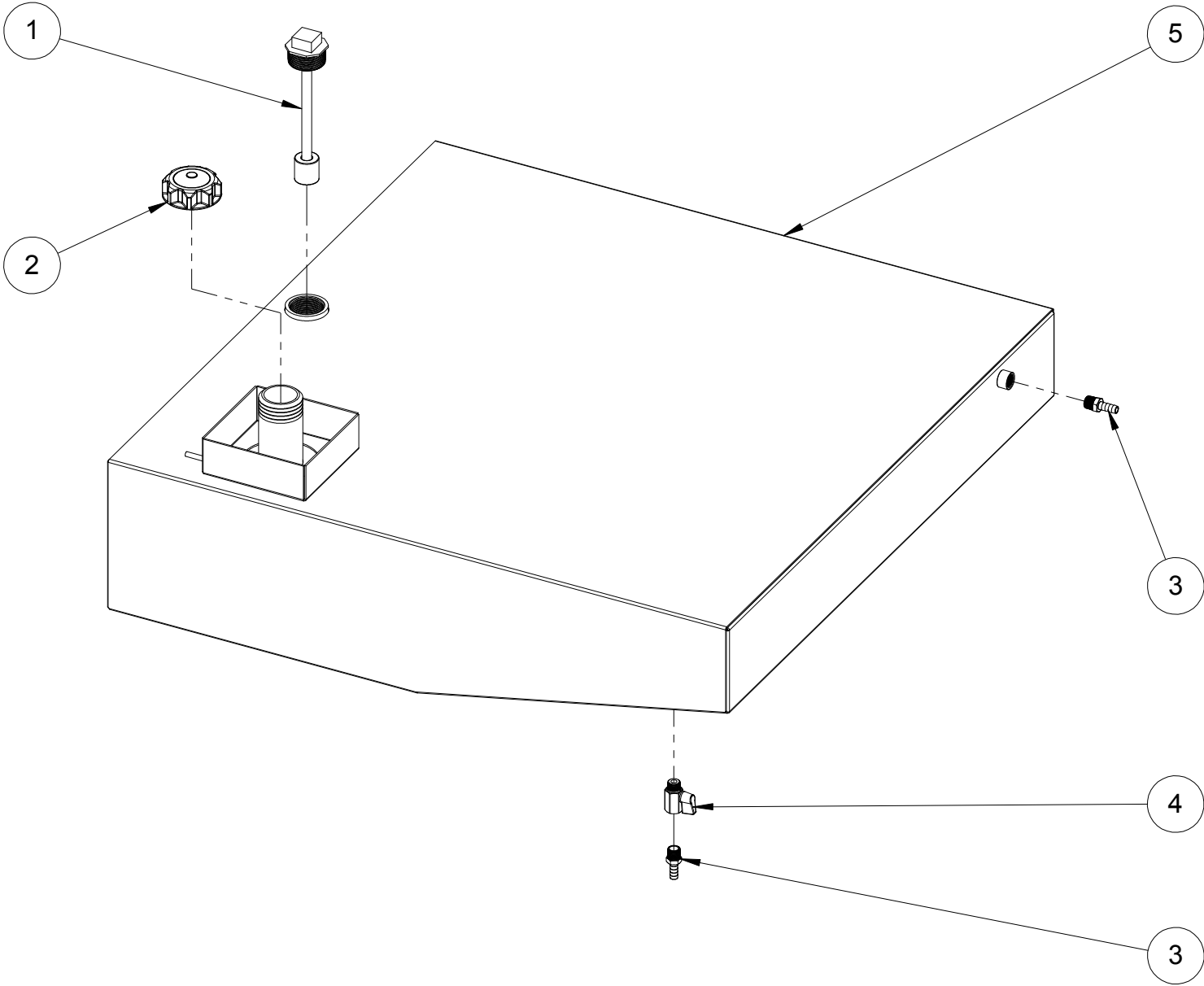
Group 04-03 (Sound Foam)



Group 04-03 BOM (Sound Foam)

ITEM	PART NUMBER	DESCRIPTION	QTY
1	S-2377-SF	FOAM, SOUND, DEFLECTOR, AIR	1
2	S-1040-SF	FOAM, SOUND, PANNEL, ACCESS, RADIATOR	1
3	S-2378-SF	FOAM, SOUND, DEFLECTOR, AIR	1
4	S-2380-SF	FOAM, SOUND, SIDE, NON-SERVICE	1
5	S-2406-SF	FOAM, SOUND, DEFLECTOR, AIR, RADIATOR	1
6	SA-1281-SF-1	FOAM, SOUND, PANEL, GEN END	1
7	SA-1281-SF-2	FOAM, SOUND, END, GEN, SIDE, NON-SERVICE	1
8	SA-1281-SF-3	FOAM, SOUND, END, GEN SIDE, SERVICE	1
9	SA-1282-SF-1	FOAM, SOUND, PANEL, END, RAD, INSIDE	1
10	SA-1282-SF-2	FOAM, SOUND, END, RAD, SIDE, SERVICE	1
11	SA-1282-SF-3	FOAM, SOUND, END, RAD, SIDE, NON-SERVICE	1
12	SA-1284-SF	FOAM, SOUND, DOOR, LEFT	1
13	SA-1285-SF	FOAM, SOUND, DOOR, RIGHT	1
14	SA-1286-SF	FOAM, SOUND, TOP	1
15	SA-1288-SF-1	FOAM, SOUND, DEFLECTOR, AIR, GEN, SIDE, SIDE	1
16	SA-1288-SF-2	FOAM, SOUND, DEFLECTOR, AIR, GEN SIDE, BACK	1
17	SA-1288-SF-3	FOAM, SOUND, DEFLECTOR, AIR, GEN, SIDE, SIDE	1
18	SA-1290-SF-1	FOAM, SOUND, DEFLECTOR, AIR, DOOR, NON-SERVICE, BACK	1
19	SA-1290-SF-2	FOAM, SOUND, DEFLECTOR, AIR, DOOR, NON-SERVICE, SIDE	1
20	SA-1290-SF-3	FOAM, SOUND, DEFLECTOR, AIR, DOOR, NON-SERVICE, SIDE	1

Group 04-04 (Fuel Tank)



Group 04-04 BOM (Fuel Tank)

ITEM	PART NUMBER	DESCRIPTION	QTY.
1	05SF012916	SENDER, FUEL, ELC, 8"	1
2	08FCV	CAP, FUEL, VENTED	1
3	BR38HX38MP	BARB, HOSE, 3/8" HOSE X 3/8" NPT, BRASS	2
4	BRVB38	VALVE, BALL, 3/8", BRASS	1
5	SA-1306	TANK ASSY, FUEL, 43 GAL, SENDER, 60 KW PORTABLE	1