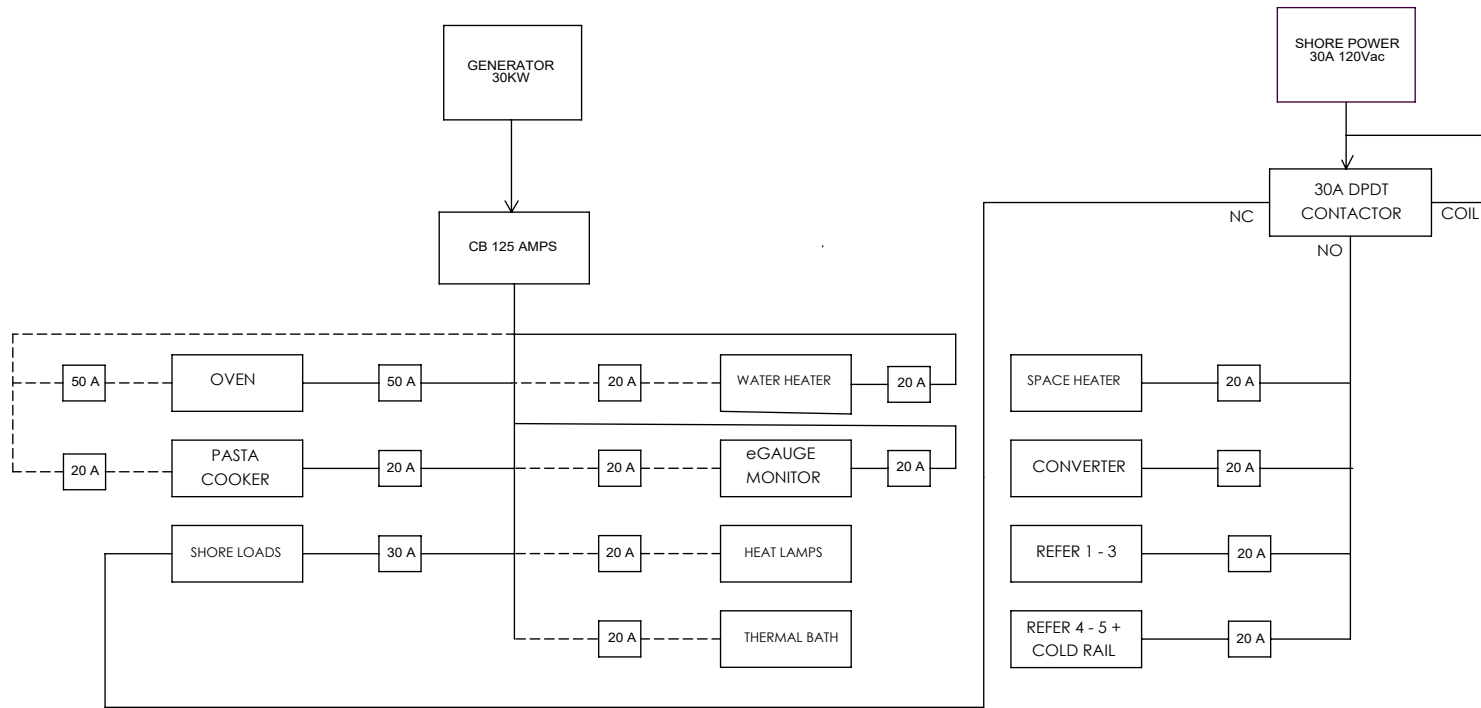
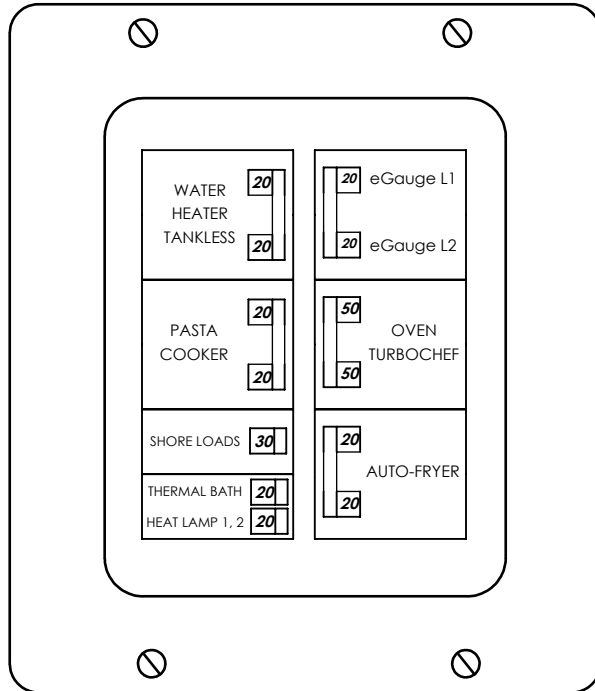


BLOCK DIAGRAM AC LOADS

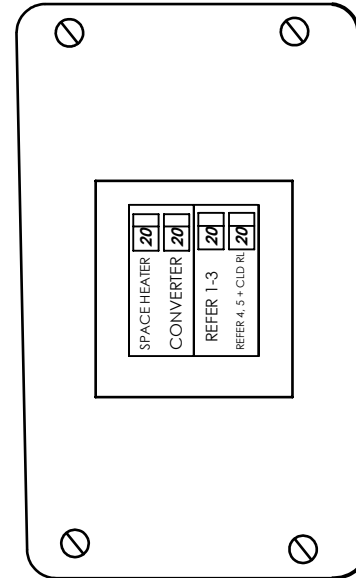


B				
A	11/13/20	RELEASE FOR PRODUCTION		JDW
REV	DATE	DESCRIPTION		BY:
DELIVERY CONCEPTS, INC. 29301 C. R. 20, ELKHART, IN. 46517		DESCRIPTION S03009 - WIRING DIAGRAM REMARKABLE FOODS 1.3 SINGLE SHORE	PLOT SCALE NTS	DRAWN BY JDW
BOM NO. MK00068			DATE 11/13/20	DRAWING TOLERANCES +/- .050 (DECIMAL) +/- 1/8 (FRACTIONAL)
DWG. NO.	S03009	SERIES MK	SHEET OF 1 5	THIS DRAWING AND THE INFORMATION CONTAINED WITHIN ARE THE EXCLUSIVE PROPERTY OF DELIVERY CONCEPTS, INC. IT SHALL NOT BE DUPLICATED WITHOUT WRITTEN CONSENT FROM DCI.

125A 12 SPACE LOAD CENTER

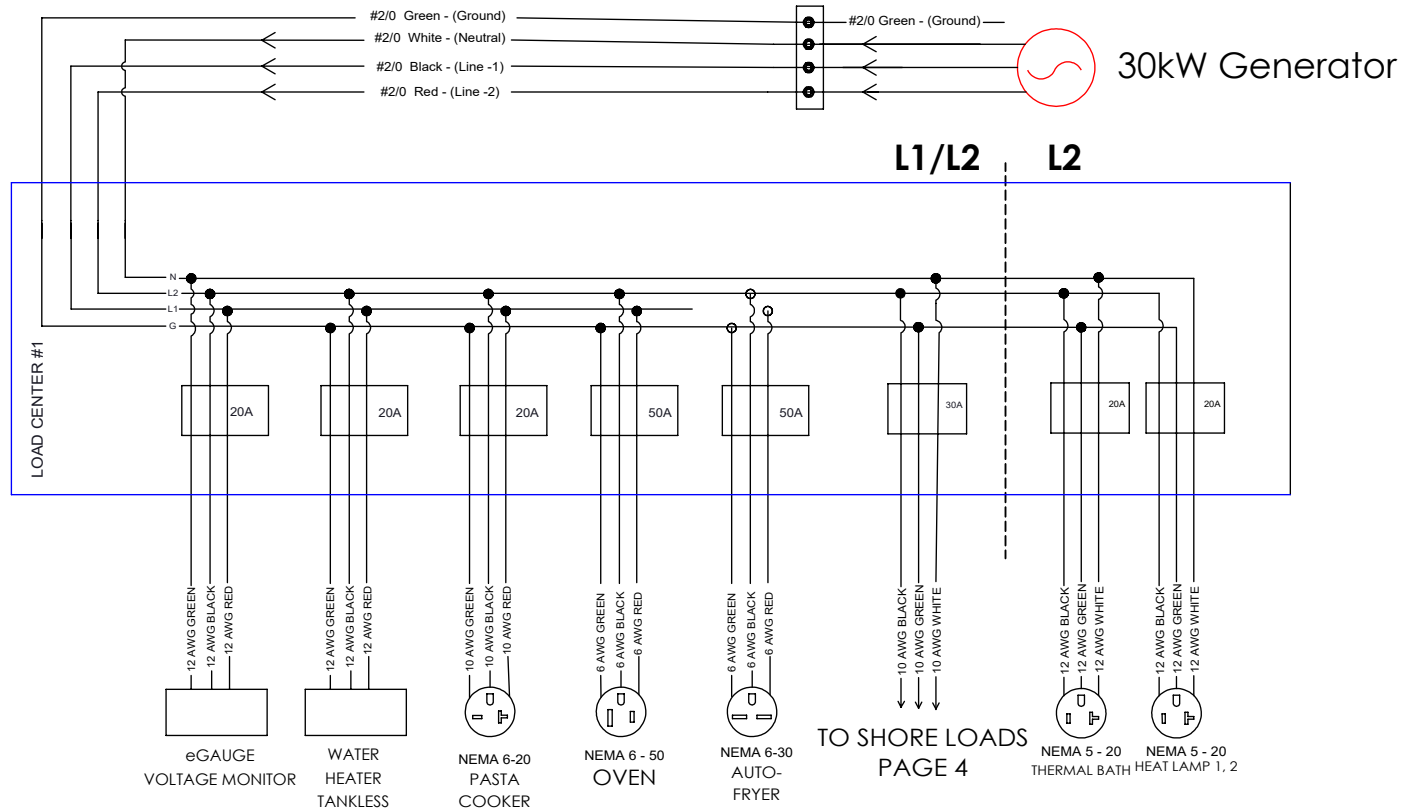


70A 2 SPACE LOAD CENTER



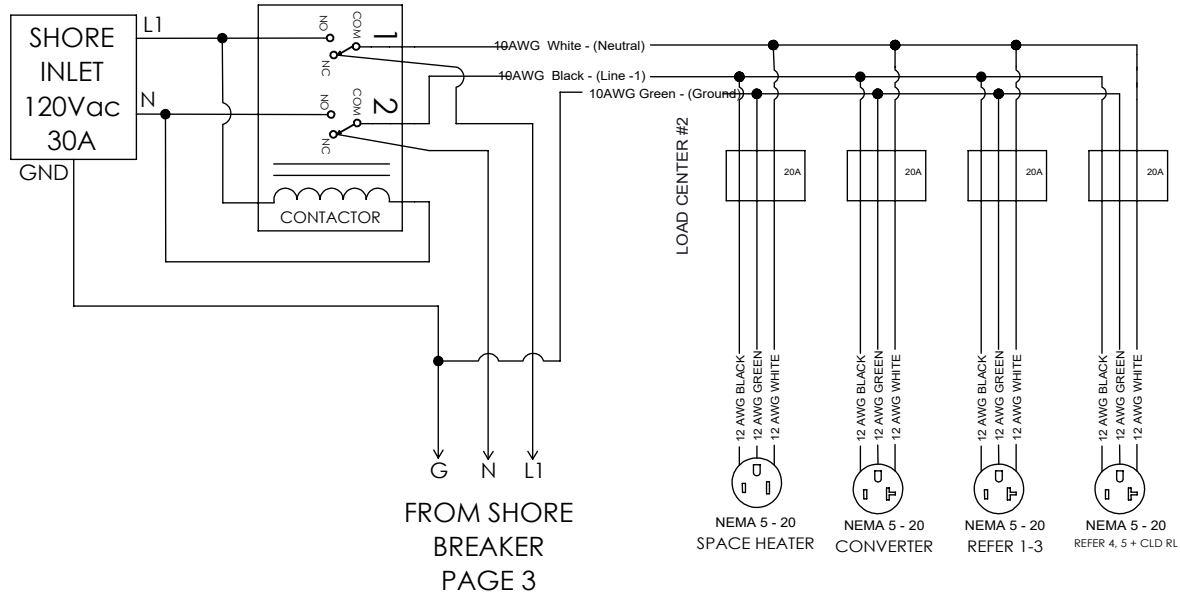
B					
A	11/13/20	RELEASE FOR PRODUCTION			JDW
REV	DATE	DESCRIPTION			BY:
DELIVERY CONCEPTS, INC. 29301 C. R. 20, ELKHART, IN. 46517		DESCRIPTION WIRING DIAGRAM REMARKABLE FOODS GEN ONLY 1.3 SINGLE SHORE	PLOT SCALE NTS	DRAWN BY JDW	STATUS ACTIVE
BOM NO. MK00068			DATE 11/13/20	ALL DIMENSIONS ARE IN INCHES, UNLESS NOTED OTHERWISE	DRAWING TOLERANCES +/- .050 (DECIMAL) +/- 1/8 (FRACTIONAL)
DWG. NO. S03009		SERIES MK	SHEET OF 2 5	THIS DRAWING AND THE INFORMATION CONTAINED WITHIN ARE THE EXCLUSIVE PROPERTY OF DELIVERY CONCEPTS, INC. IT SHALL NOT BE DUPLICATED WITHOUT WRITTEN CONSENT FROM DCI.	

120/240VAC LOADS ON GENERATOR



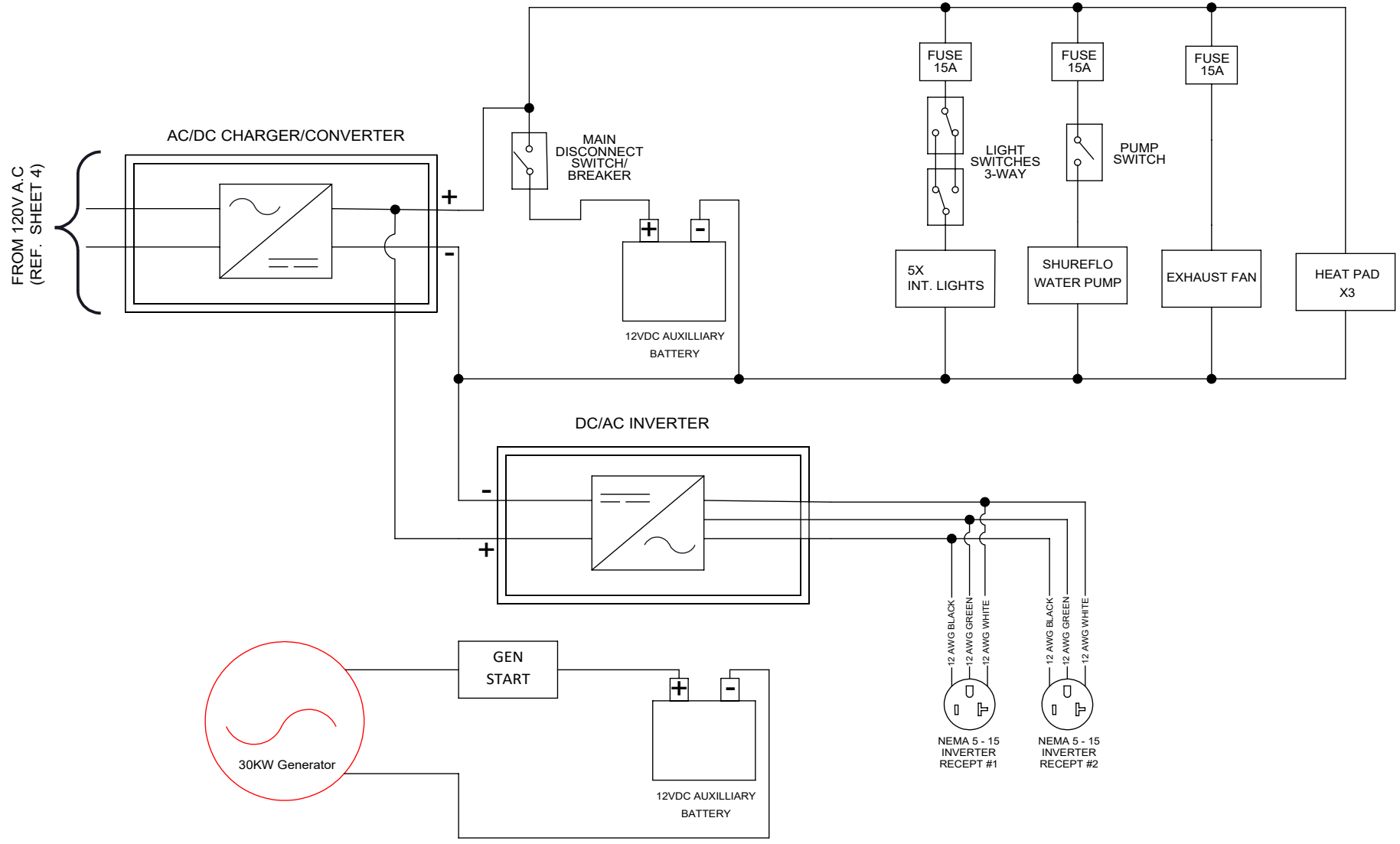
B				
A	11/13/20	RELEASE FOR PRODUCTION		JDW
REV	DATE	DESCRIPTION		BY:
DELIVERY CONCEPTS, INC. 29301 C. R. 20, ELKHART, IN. 46517		DESCRIPTION	PLOT SCALE	DRAWN BY
BOM NO. MK00068		WIRING DIAGRAM REMARKABLE FOODS GEN ONLY 1.3 SINGLE SHORE	NTS	JDW
DWG. NO. S03009		SERIES MK	DATE 11/13/20	STATUS ACTIVE
SHEET OF 3 5		ALL DIMENSIONS ARE IN INCHES, UNLESS NOTED OTHERWISE		
DRAWING TOLERANCES +/- .050 (DECIMAL) +/- 1/8 (FRACTIONAL)				
THIS DRAWING AND THE INFORMATION CONTAINED WITHIN ARE THE EXCLUSIVE PROPERTY OF DELIVERY CONCEPTS, INC. IT SHALL NOT BE DUPLICATED WITHOUT WRITTEN CONSENT FROM DCL.				

120VAC LOADS ON SHORE #2



B			
A	11/13/20	RELEASE FOR PRODUCTION	JDW
REV	DATE	DESCRIPTION	BY:
DELIVERY CONCEPTS, INC. 29301 C. R. 20, ELKHART, IN. 46517		DESCRIPTION WIRING DIAGRAM REMARKABLE FOODS GEN ONLY 1.3 SINGLE SHORE	PLOT SCALE NTS
BOM NO. MK00068			DRAWN BY JDW
DWG. NO. S03009		SERIES MK	DATE 11/13/20
		SHEET OF 4 5	DRAWING TOLERANCES +/- .050 (DECIMAL) +/- 1/8 (FRACTIONAL)
THIS DRAWING AND THE INFORMATION CONTAINED WITHIN ARE THE EXCLUSIVE PROPERTY OF DELIVERY CONCEPTS, INC. IT SHALL NOT BE DUPLICATED WITHOUT WRITTEN CONSENT FROM DCI.			

12VDC LOADS



B				
A	04/30/20	RELEASE FOR PRODUCTION		JDW
REV	DATE	DESCRIPTION		BY:
DELIVERY CONCEPTS, INC. 29301 C. R. 20, ELKHART, IN. 46517		DESCRIPTION WIRING DIAGRAM REMARKABLE FOODS GEN ONLY 1.3 SINGLE SHORE	PLOT SCALE NTS	DRAWN BY JDW
BOM NO. MK00068			DATE 11/13/20	STATUS ACTIVE
DWG. NO. S03009		SERIES MK	SHEET OF 5 5	<small>ALL DIMENSIONS ARE IN INCHES, UNLESS NOTED OTHERWISE</small> <small>DRAWING TOLERANCES +/- .050 (DECIMAL) +/- 1/8 (FRACTIONAL)</small>
<small>THIS DRAWING AND THE INFORMATION CONTAINED WITHIN ARE THE EXCLUSIVE PROPERTY OF DELIVERY CONCEPTS, INC. IT SHALL NOT BE DUPLICATED WITHOUT WRITTEN CONSENT FROM DCI.</small>				