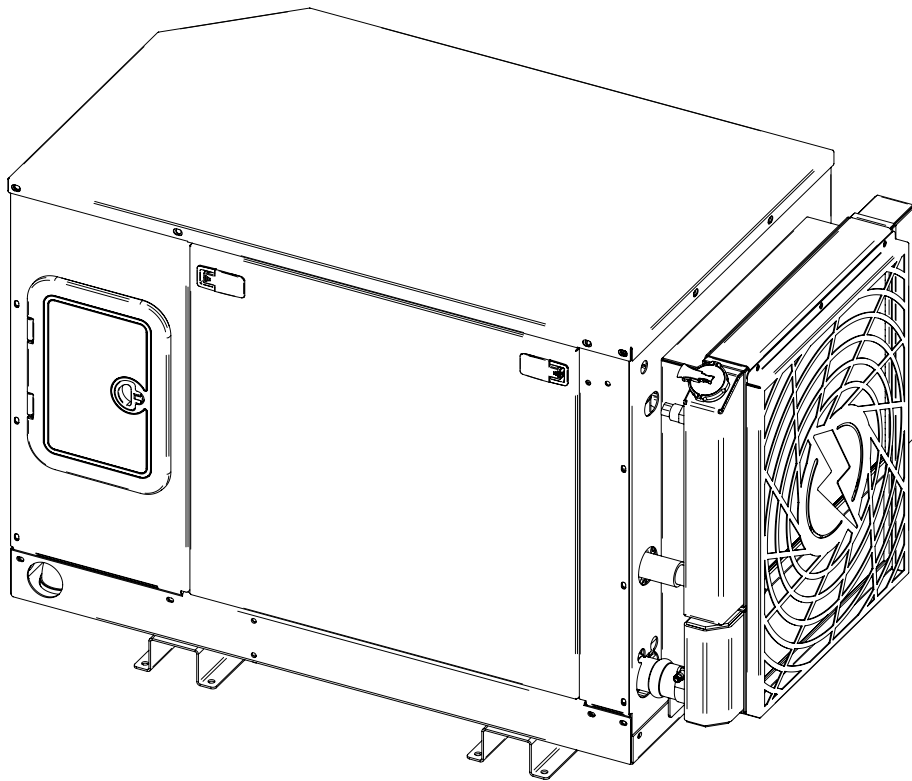




**POWER TECH**  
**GENERATORS**  
SOLUTIONS FOR MOBILE APPLICATIONS

## PARTS LIST

# PTI-25SI-T4F



634 State Road 44 | Leesburg, FL 34748

Phone: 800-760-0027 | Fax: 352-787-5545

[www.powertechparts.com](http://www.powertechparts.com)

We recommend that you contact an authorized Power Tech Generator dealer for all maintenance and repairs of your generator. If you perform any maintenance or repairs, first disconnect the battery to prevent unintentional start-up. Unintentional start-up can result in serious injury or death.

Use only Power Tech Generator parts. Other parts may not perform as well, may damage the generator set, and may result in property damage or injury. In addition, use of other parts may void your warranty.

This parts list was current at the time of printing. Production changes and installed options may result in changes that are not covered in this parts list. Production units and associated parts are subject to change without notice. For the most up to date parts information, please contact the factory with your Power Tech Generator model number and serial number.

 **WARNING:**

Breathing diesel engine exhaust exposes you to chemicals known to the State of California to cause cancer and birth defects or other reproductive harm.

- Always start and operate the engine in a well-ventilated area.
- If in an enclosed area, vent the exhaust to the outside.
- Do not modify or tamper with the exhaust system.
- Do not idle the engine except as necessary.

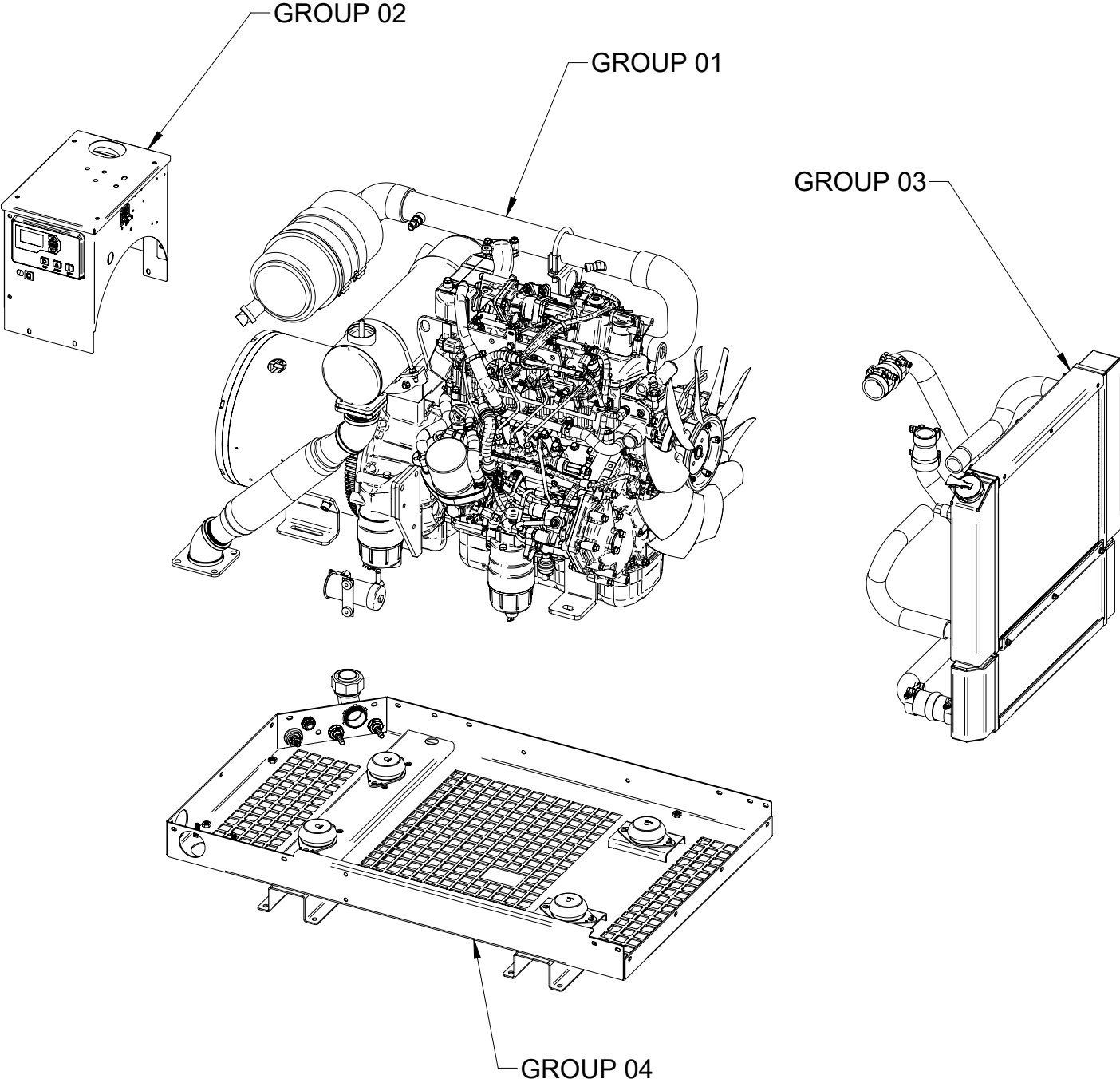
For more information go to [www.P65warnings.ca.gov/diesel](http://www.P65warnings.ca.gov/diesel)

 **WARNING:**

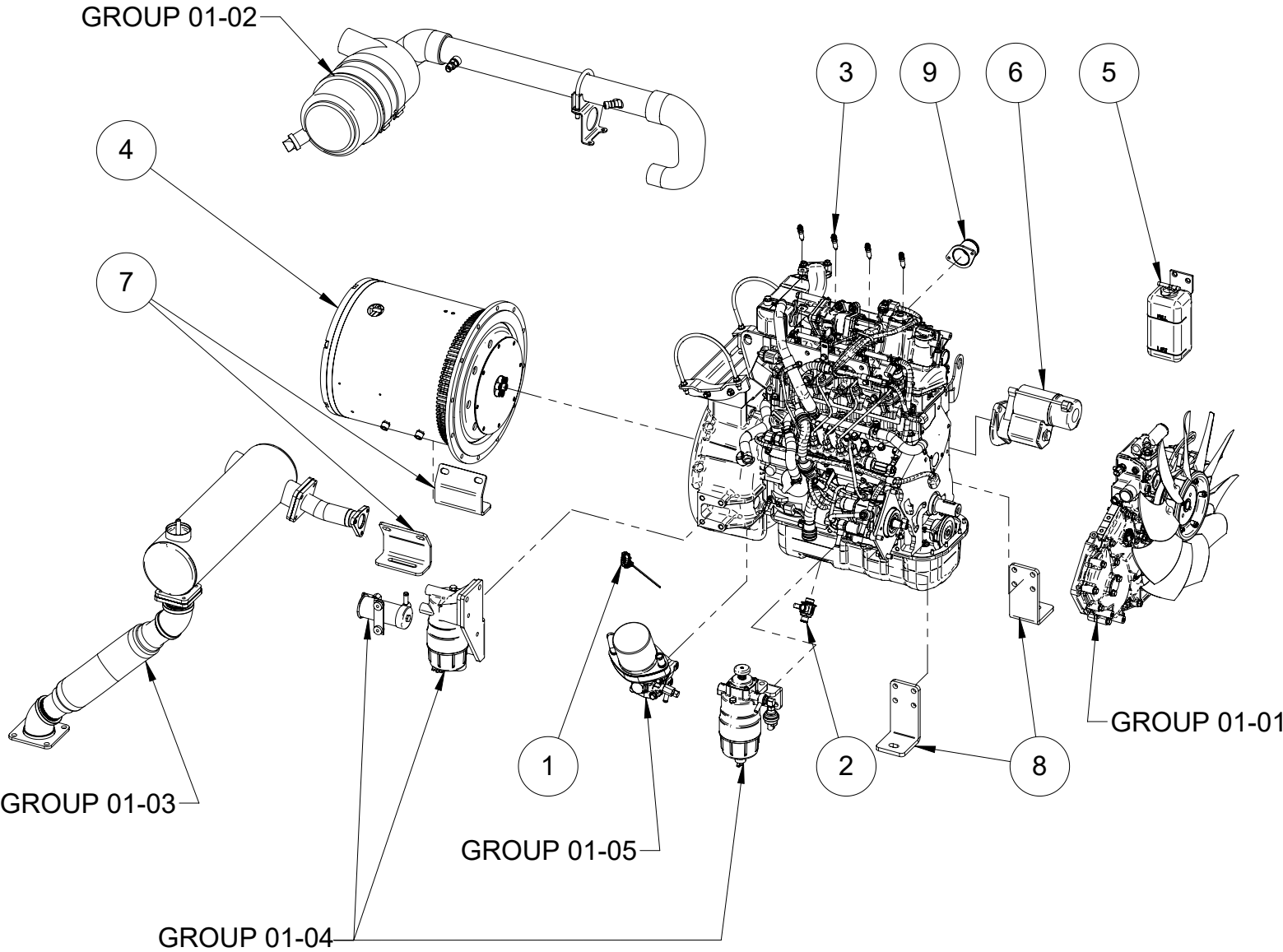
This product can expose you to chemicals including carbon monoxide and benzene, which are known to the State of California to cause cancer and birth defects or other reproductive harm.

For more information go to [www.P65Warnings.ca.gov](http://www.P65Warnings.ca.gov).

# GROUP 00 (COMPLETE GENERATOR)



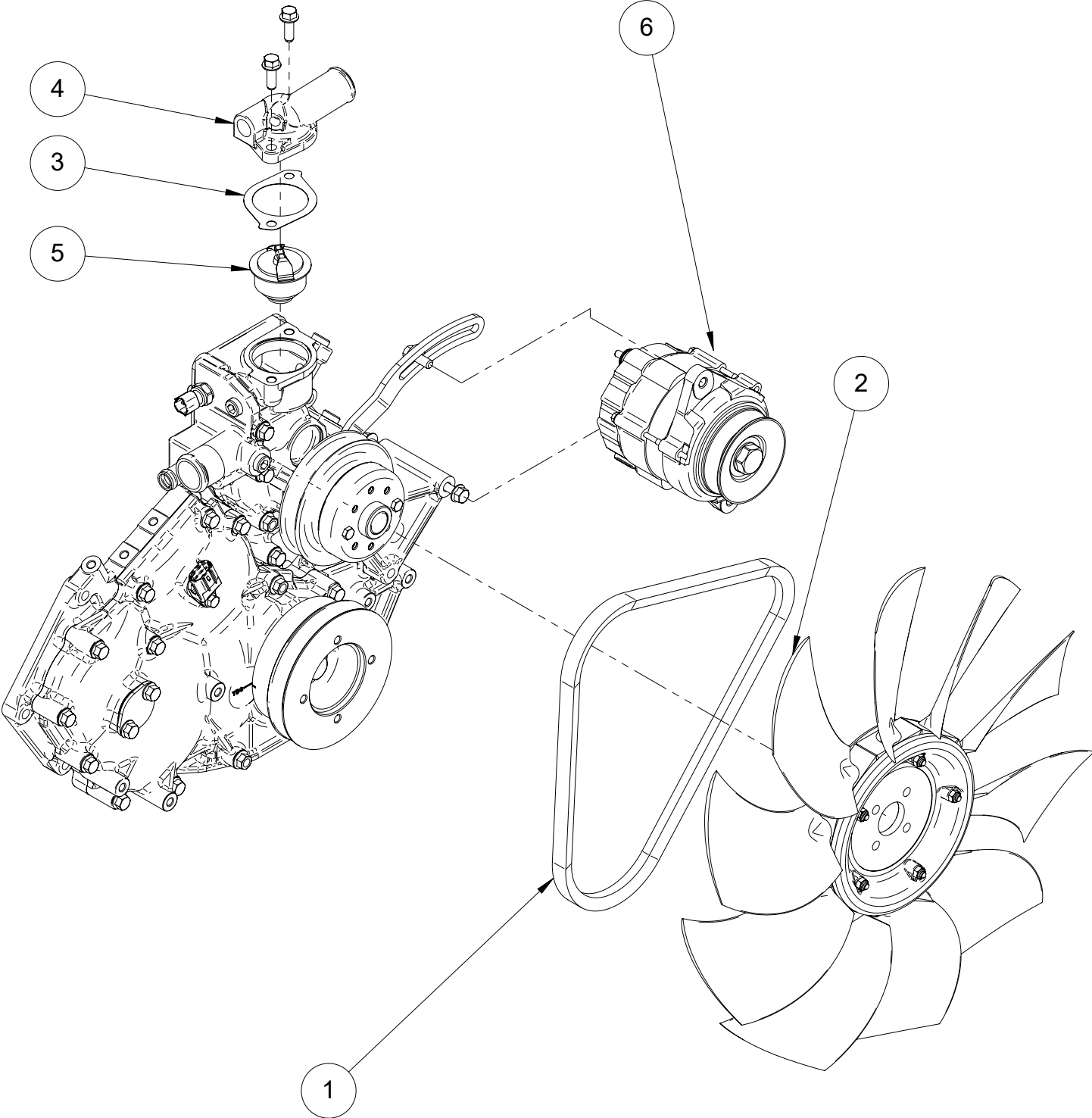
# GROUP 01 (ENGINE & GENERATOR)



## GROUP 01 BOM (ENGINE & GEN)

ITEM	PART NUMBER	DESCRIPTION	QTY
1	01DS4LEX	DIPSTICK, ISUZU, 4LEV05/4LE2X	1
2	01FEZ3H	VALVE, DRAIN, OIL, 20MMX1.5	1
3	01GP4LEV05	GLOWPLUG, ISUZU, 4LEV05/4LE2X	4
4	02GEN1CB25	GENERATOR, C-TYPE, 25KW, 1 PHASE, SAE4/7.5, 4WIRE	1
5	03WBKIT	KIT, BOTTLE, WATER RECOVERY, KUBOTA	1
6	05STR4LEV05	STARTER, ISUZU, 4LEV05, 12V	1
7	09FTC2025	FOOT, MOUNTING, GENERATOR	2
8	S-2197	FOOT, MOUNTING, ENGINE	2
9	SA-1268	FLANGE ASSY, INTAKE, 1-3/4", 4LE2X	1

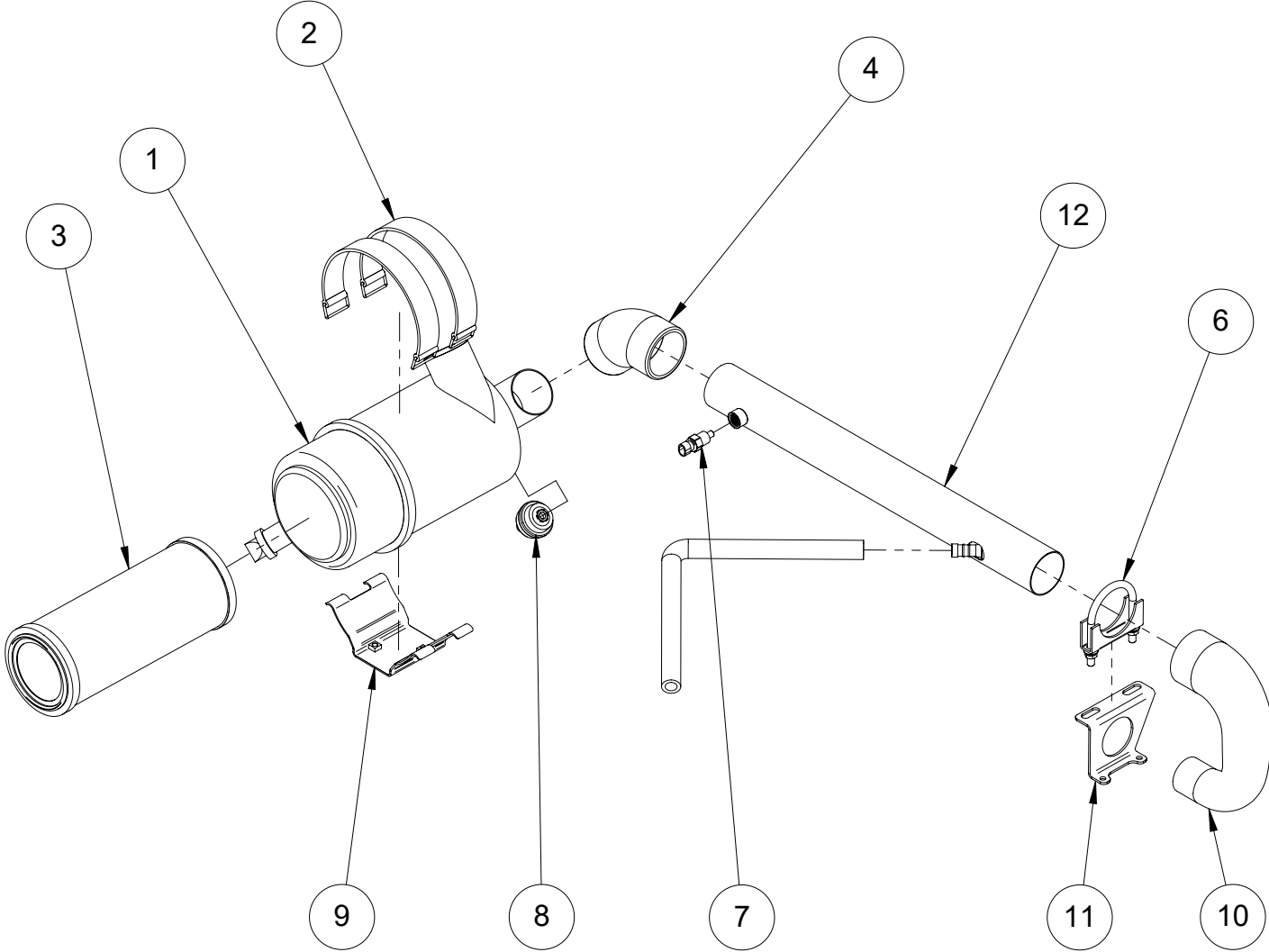
# GROUP 01-01 (ENGINE FRONT)



## GROUP 01-01 BOM (ENGINE FRONT)

ITEM	PART NUMBER	DESCRIPTION	QTY
1	03BF4LEV05	BELT, DRIVE, FAN/ALT, ISUZU, 4LEV05/4LE2X	1
2	03FANPH4LE2X-30	FAN, PUSHER, ISUZU, 4LE2, 18.25" MW	1
3	03GKT4LEV05THM	GASKET, HOUSING, THERMOSTAT, ISUZU, 4LE05/4LE2X	1
4	03H4LEV05	HOUSING, THERMOSTAT, ISUZU, 4LEV05, 90°	1
5	03THM4LEV05	THERMOSTAT, ISUZU, 4LEV05/4LE2X	1
6	05ALT4LEV05	ALTERNATOR, ISUZU, 4LEV05/4LE2X	1

# GROUP 01-02 (INTAKE)

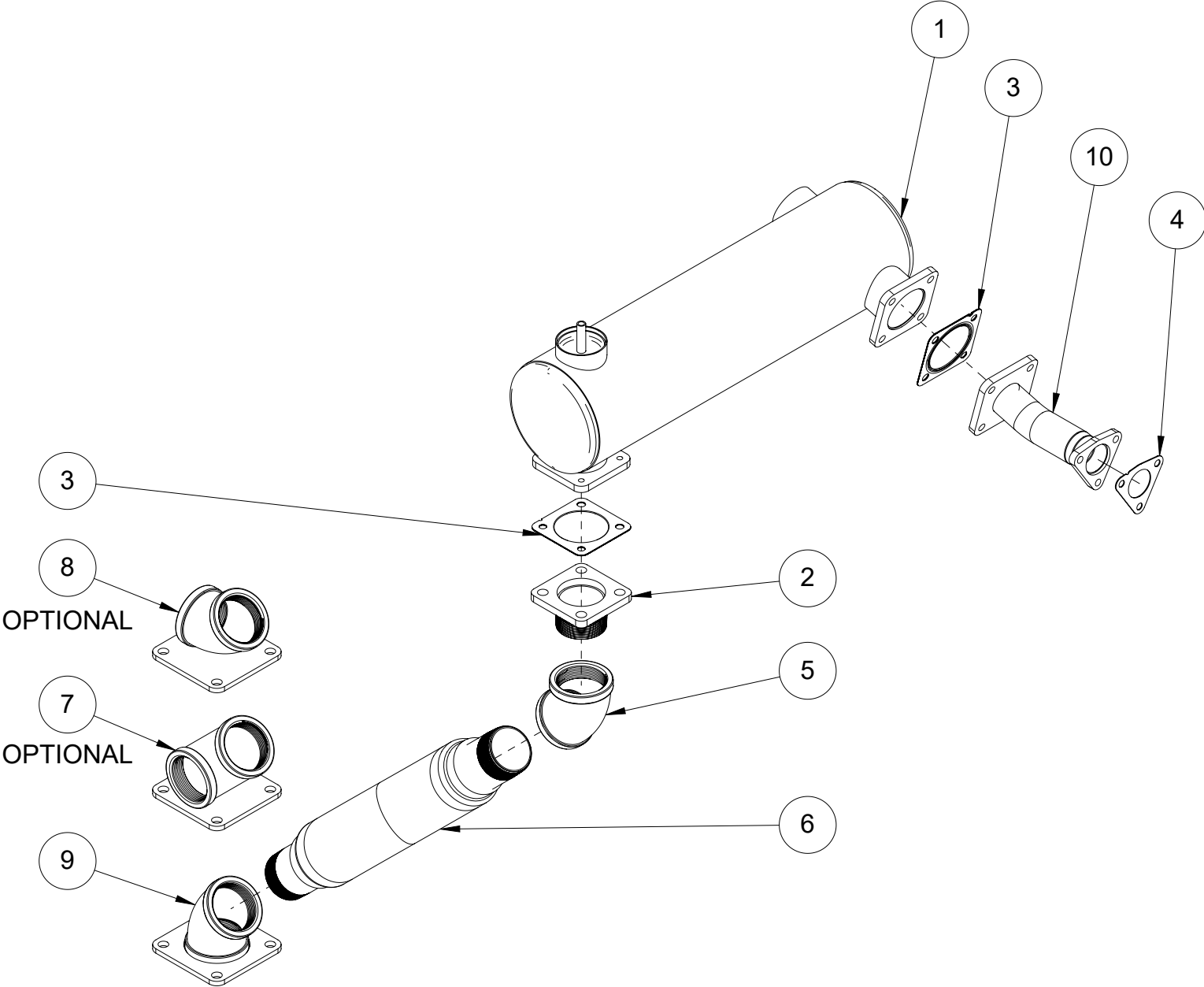




## GROUP 01-02 BOM (INTAKE)

ITEM	PART NUMBER	DESCRIPTION	QTY
1	04AC2FW-90	HOUSING, FILTER, AIR, 2 1/2", 90°	1
2	04ACSTRAP	STRAP, FILTER, AIR	2
3	04FA2768	FILTER, AIR, ELEMENT FOR 04AC2FW-90 & 04AC68132	1
4	04HSAL212X45	HOSE, INTAKE, 2-1/2",45°	1
5	04HSV4LE	HOSE, SILICONE, 5/8" I.D. 90°	1
6	04MC212	CLAMP, MUFFLER, 2-1/2"	1
7	04SA4LEV05	SENSOR, INTAKE, 4LEV05	1
8	05SA22	SWITCH, RESTRICTION, AIR, 22"H2O	1
9	09BRKACCSAD	BRACKET, FILTER, AIR, SADDLE	1
10	S-2253	HOSE, FORMED, INTAKE, 1-1/2" TO 2-1/2", 180°	1
11	S-2610	BRACKET, PIPE, INTAKE, 4LE	1
12	SA-1243	PIPE ASSEMBLY, INTAKE, 2-1/2" X 24", 4LE2T	1

# GROUP 01-03 (EXHAUST)



## GROUP 01-03 BOM (EXHAUST)

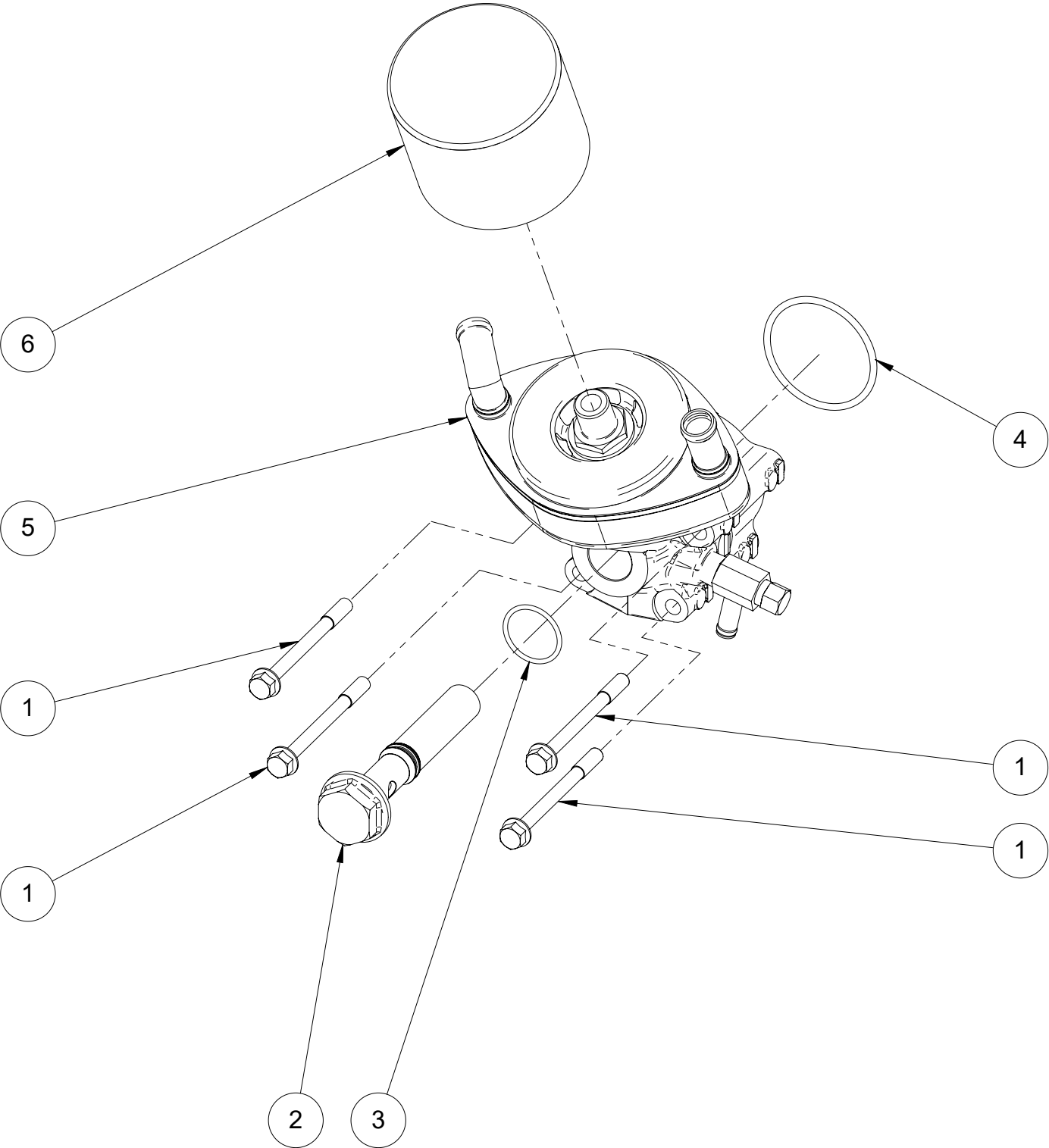
ITEM	PART NUMBER	DESCRIPTION	QTY
1	04DOC4LE-DOWN	DOC, 4LE2T/X, DOWNWARD EXIT	1
2	04EXFL3300	FLANGE ASSY, EXH, 4 BOLT, 2" NPTM	1
3	04GKT4LEDOC	GASKET, DOC, ISUZU, 4LE2	2
4	04GKT4LETURBO	GASKET, TURBO, ISUZU, 4LE2	1
5	BP2X45L	ELBOW, 45°, 2"	1
6	SA-1260	FLEXPipe ASSY, BRAIDED, 2" NPT X 16.5", M X M	1
7	SA-1261	FLANGE ASSY, EXHAUST, 2" NPT, SIDE OUT	1
8	SA-1262	FLANGE ASSY, EXHAUST, 2" NPT, END OUT	1
9	SA-1263	FLANGE ASSY, EXHAUST, 2" NPT, BOTTOM OUT	1
10	SA-1353	PIPE ASSEMBLYY, TURBO TO DOC, 4LE2	1



## GROUP 01-04 BOM (FUEL)

ITEM	PART NUMBER	DESCRIPTION	QTY
1	05SF30	SWITCH, RESTRICTION, FUEL, 30 KPA	1
2	08FF4LE-P	ELEMENT, FILTER, FUEL, PRE, 4LE2T/2X	1
3	08FF4LE-S	ELEMENT, FILTER, FUEL, SECONDARY, 4LE2T/2X	1
4	08FF4LEP	FILTER, FUEL, PRE, 4LE2T/2X	1
5	08FF4LES	FILTER, FUEL, SECONDARY, 4LE2T/2X	1
6	08PE4LE	PUMP, FUEL, ELECTRIC, 12V, 4LE	1
7	BR3400x2	ELBOW, 90°, STREET, BRASS, 1/8"	1
8	S-2192	BRACKET, FILTER, FUEL, SECONDARY	1
9	S-2612	FITTING, BANJO, M14, 1/8" NPT TAP	1
10	S-2639	BRACKET, FILTER, FUEL, 4LE2X	1

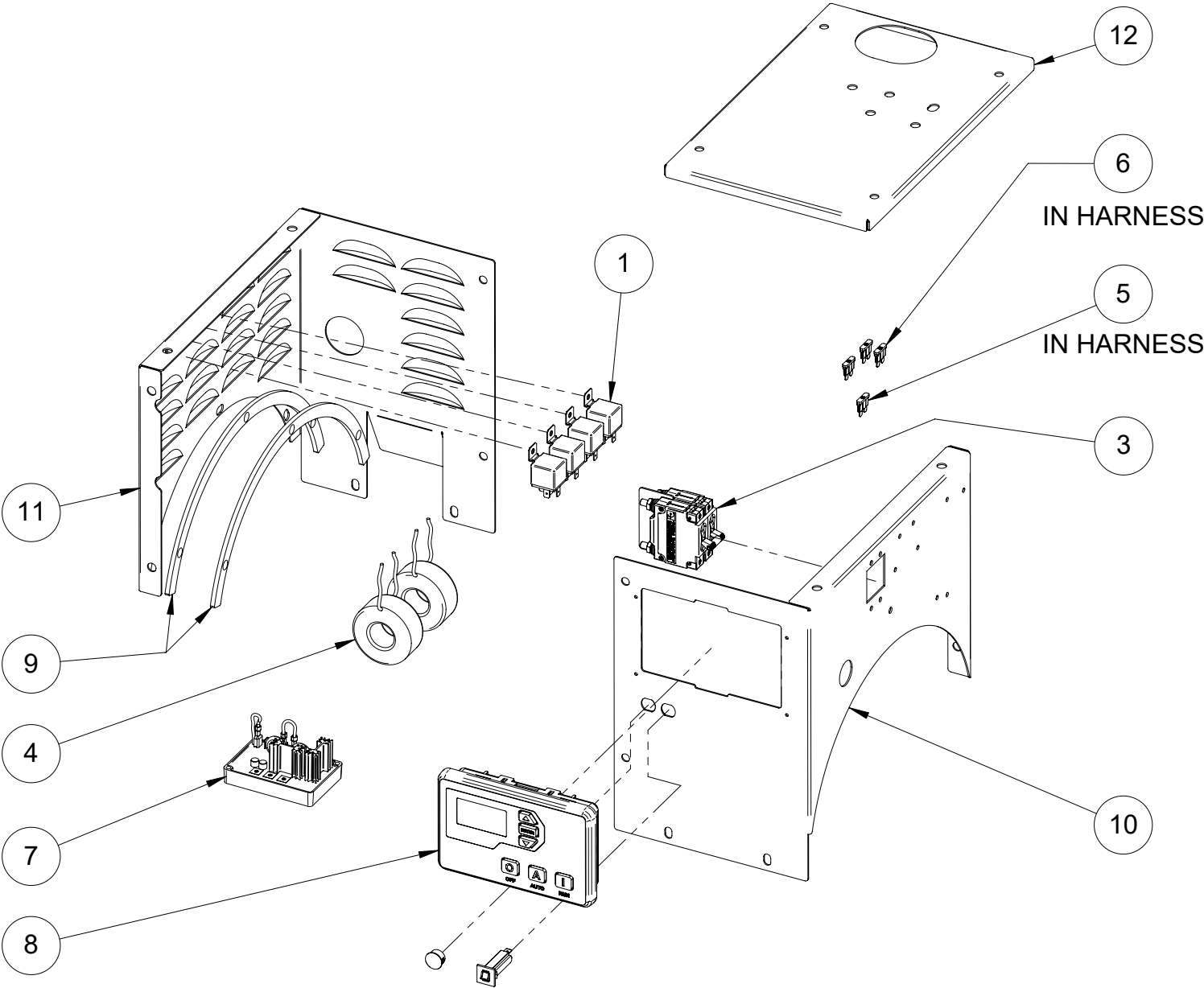
# GROUP 01-05 (OIL COOLER)



## GROUP 01-05 BOM (OIL COOLER)

ITEM	PART NUMBER	DESCRIPTION	QTY
1	014LEBOC	BOLT, EXTERIOR, COOLER, OIL, 4LEX	4
2	014LECB	BOLT, CENTER, COOLER, OIL, 4LEX	1
3	014LEGCB	O-RING, BOLT, CENTER, COOLER, OIL, 4LEX	1
4	014LEGOC	GASKET, COOLER, OIL, 4LEX, OUTER	1
5	014LEOC	COOLER, OIL, 4LEX	1
6	01FO4LEX-S	FILTER, OIL, ISUZU, 4LEX, (3-1/2")	1

# GROUP 02 (CONTROL PANEL)

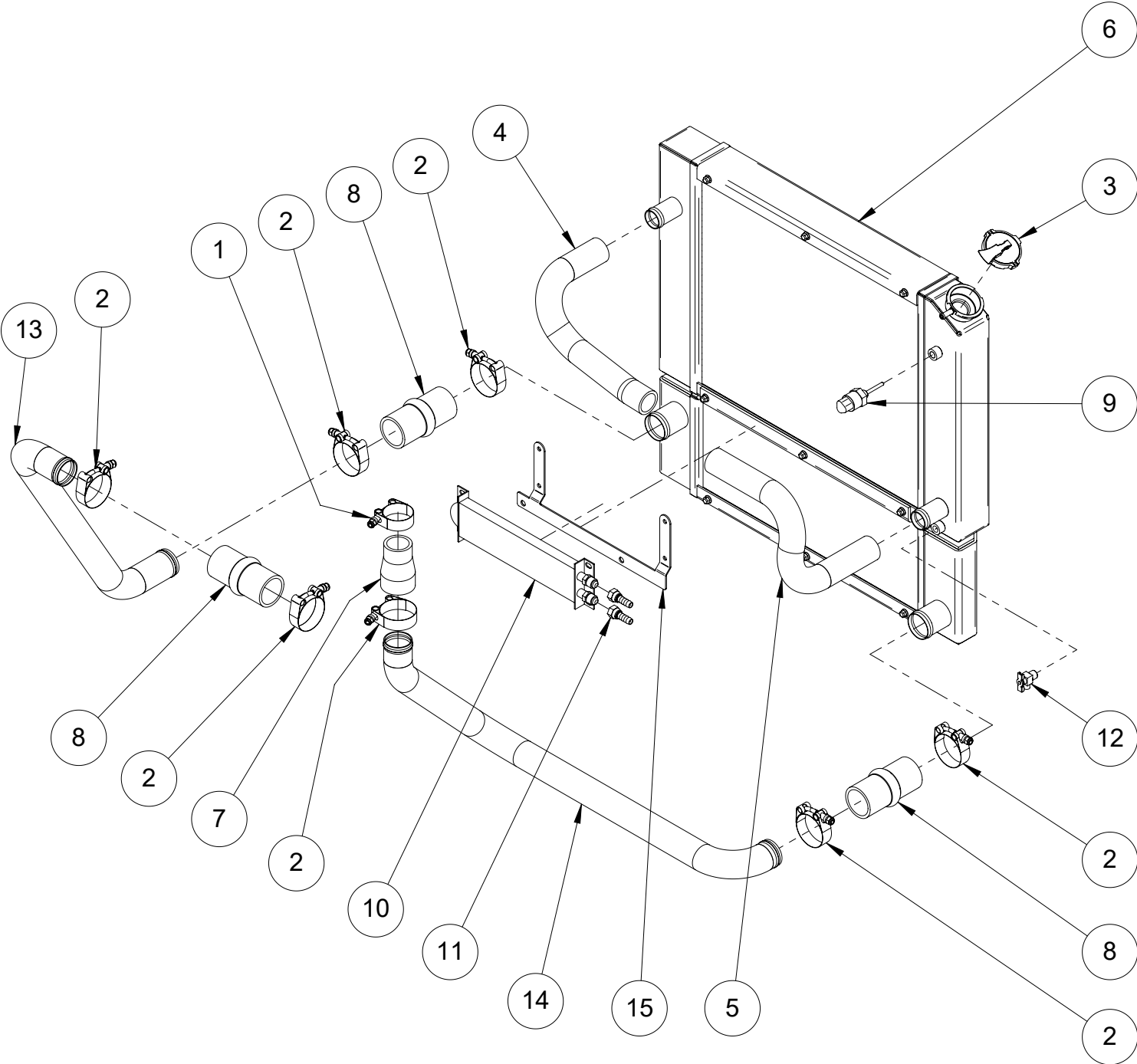




## GROUP 02 BOM (CONTROL PANEL)

ITEM	PART NUMBER	DESCRIPTION	QTY
1	05RLYD	RELAY, CUBE, 12 VOLT, DIODE	4
2	06BR1A-RESETW28	BREAKER, 1A, RESET, ROCKER	1
3	06BR80A2PCA	BREAKER,80A,2P,CA,1 1/2	1
4	06CT1005	TRANSFORMER, CURRENT, 100:5	2
5	06FB20	FUSE, BLADE, 20 AMP	1
6	06FB30	FUSE, BLADE, 30 AMP	3
7	06REG634AVC	REGULATOR, BASLER, 63-4 AVC	1
8	07TG410	CONTROLLER, ELECTRONIC, PTG410	1
9	S-2055	SPACER, CONTROL BOX	2
10	S-3172	PANEL, FRONT/SIDE, SERVICE, BOX, CONTROL, 20-25C, TG, 2 POLE	1
11	S-3173	PANEL, REAR/SIDE, NON SERVICE, BOX, CONTROL, 20-25C, VENTED	1
12	S-2320	PANEL,CONTROL BOX, TOP	1
-	07HRN4LEC	HARNESS, CONTROL, ELECTRONIC ENGINE, 4LE	1
-	07HRNE4LE	HARNESS, ENGINE, 4LE	1
-	07LACTG	PIGTAIL, SENSING, AC, TG SERIES	1

# GROUP 03 (RADIATOR)

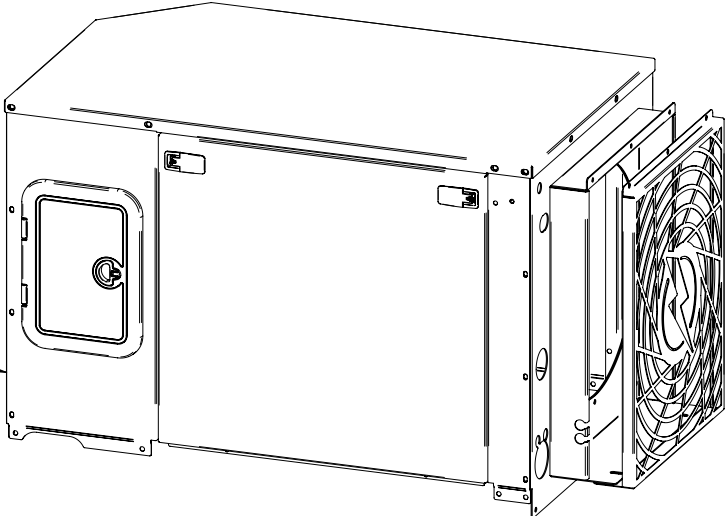


## GROUP 03 BOM (RADIATOR)

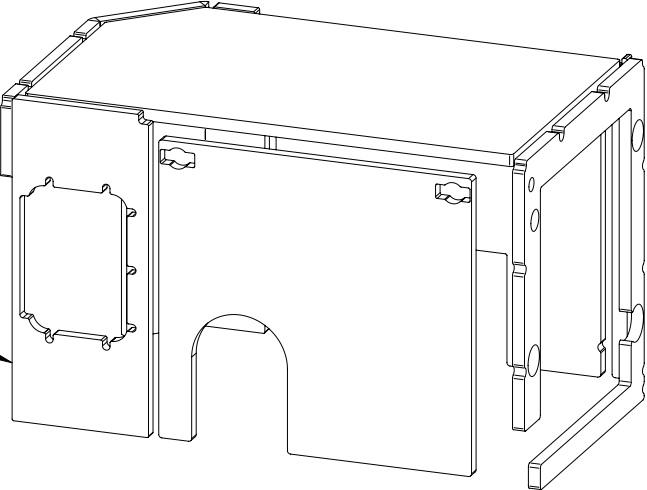
ITEM	PART NUMBER	DESCRIPTION	QTY
1	01CPT188	CLAMP, T-BOLT, 1.875	1
2	01CPT212	CLAMP, T-BOLT, 2.12	7
3	03CSP13	CAP, RADIATOR, 13#, RELEASE	1
4	03HS0203U	HOSE, RADIATOR, UPPER	1
5	03HSL4LEX	HOSE, RADIATOR, LOWER, ISUZU, 4LE2X, 540	1
6	03RAD540	RADIATOR, 540, CAC, 4LE2X, T4F	1
7	04HSA097	HOSE, INTAKE, AIR, REDUCER 1-3/4 X 1-3/8	1
8	04HSA428	HOSE, INTAKE, AIR, 1-3/4" X 2" LG	3
9	05SCLS40	SENSOR, LEVEL, WATER, 3 PIN	1
10	08FC210808	COOLER, FUEL, 4LE, PC	1
11	BR38HX6JIC	BARB, HOSE, BRASS, 3/8 X 6 JIC	2
12	BR6660	DRAIN COCK, 90°, 1/4", BRASS	1
13	S-2314	PIPE, INTAKE, 1-3/4", CAC TO ENG IN	1
14	S-2315	PIPE, INTAKE, 1-3/4", ENG OUT TO CAC	1
15	S-3483	BRACKET, COOLER, FUEL, PC	1

# GROUP 04 (ENCLOSURE)

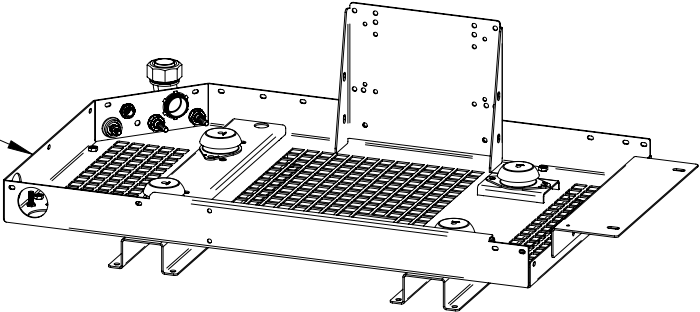
GROUP 04-02



GROUP 04-03

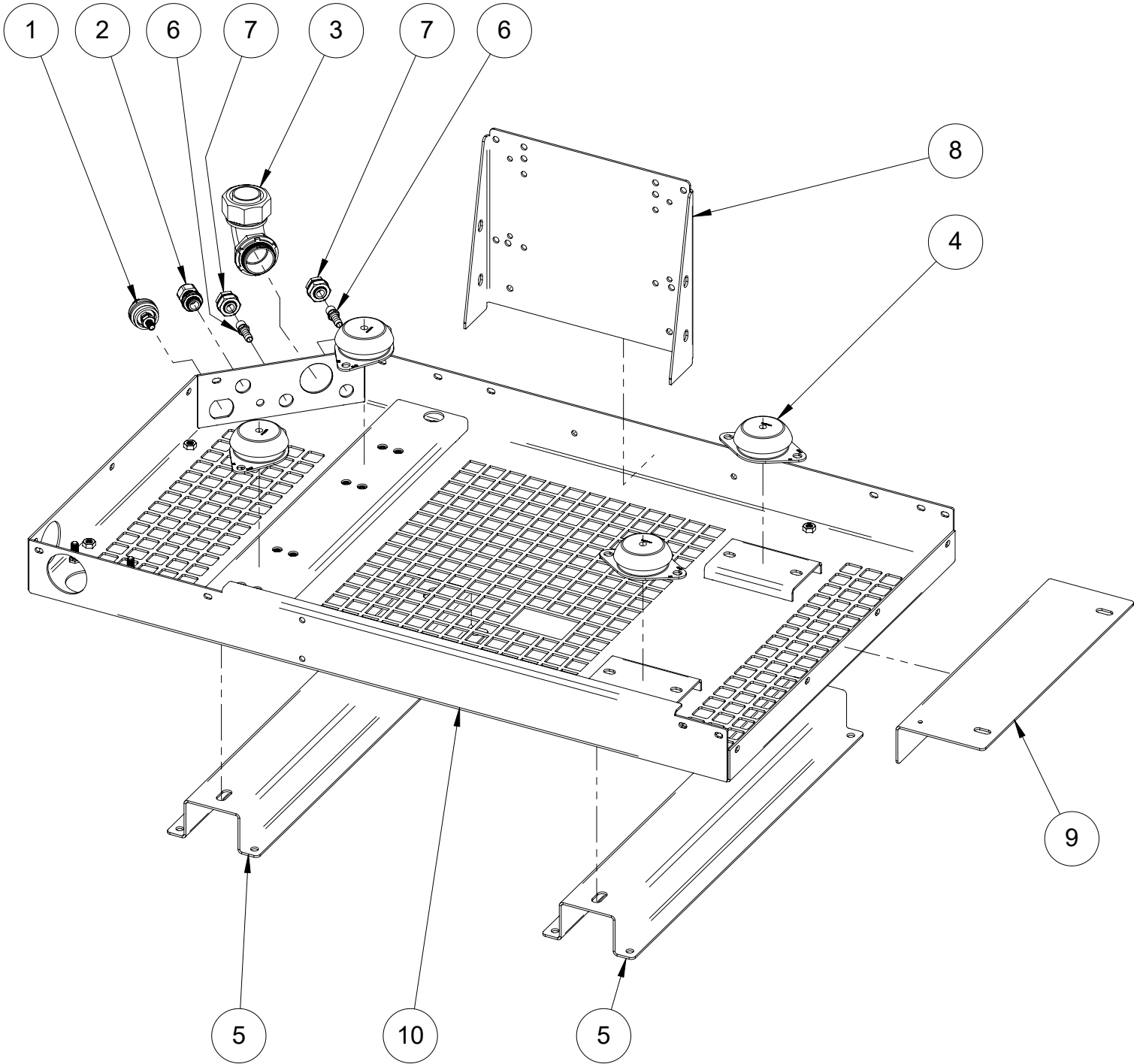


GROUP 04-01



This page intentionally left blank

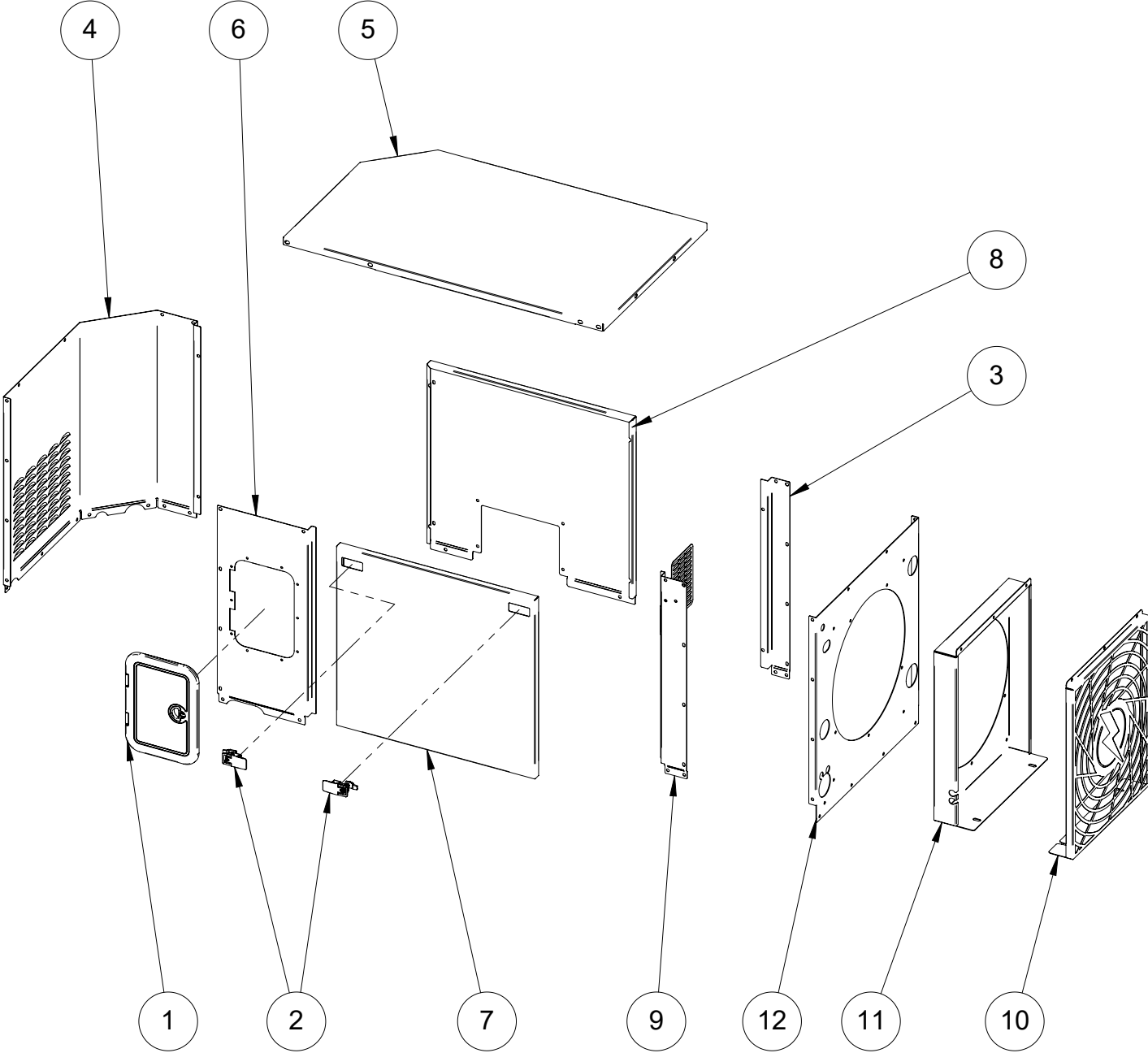
# GROUP 04-01 (BASE PAN)



## GROUP 04-01 BOM (BASE PAN)

ITEM	PART NUMBER	DESCRIPTION	QTY
1	05BATISOL	ISOLATOR, BATTERY, POSITIVE	1
2	06CG12	GRIP, CORD, 1/2"	1
3	07CF112X90	CONNECTOR, CONDUIT, LIQUID TIGHT, 1-1/2", 90°	1
4	09MNT50	MOUNT, ENGINE, 50	4
5	09SM40R	RISER, BASE	2
6	BR38HX14MP	BARB, HOSE, BRASS, 3/8H X 1/4MNPT	2
7	BRW21204	BULKHEAD,BRASS,SHORT	2
8	S-2126	BRACKET, ECU, BLACK	1
9	S-3729	BRACKET, SUPPORT, RADIATOR, BOTTOM, 540	1
10	SA-1234	BASE PAN ASSEMBLY	1

# GROUP 04-02 (SHEETMETAL)

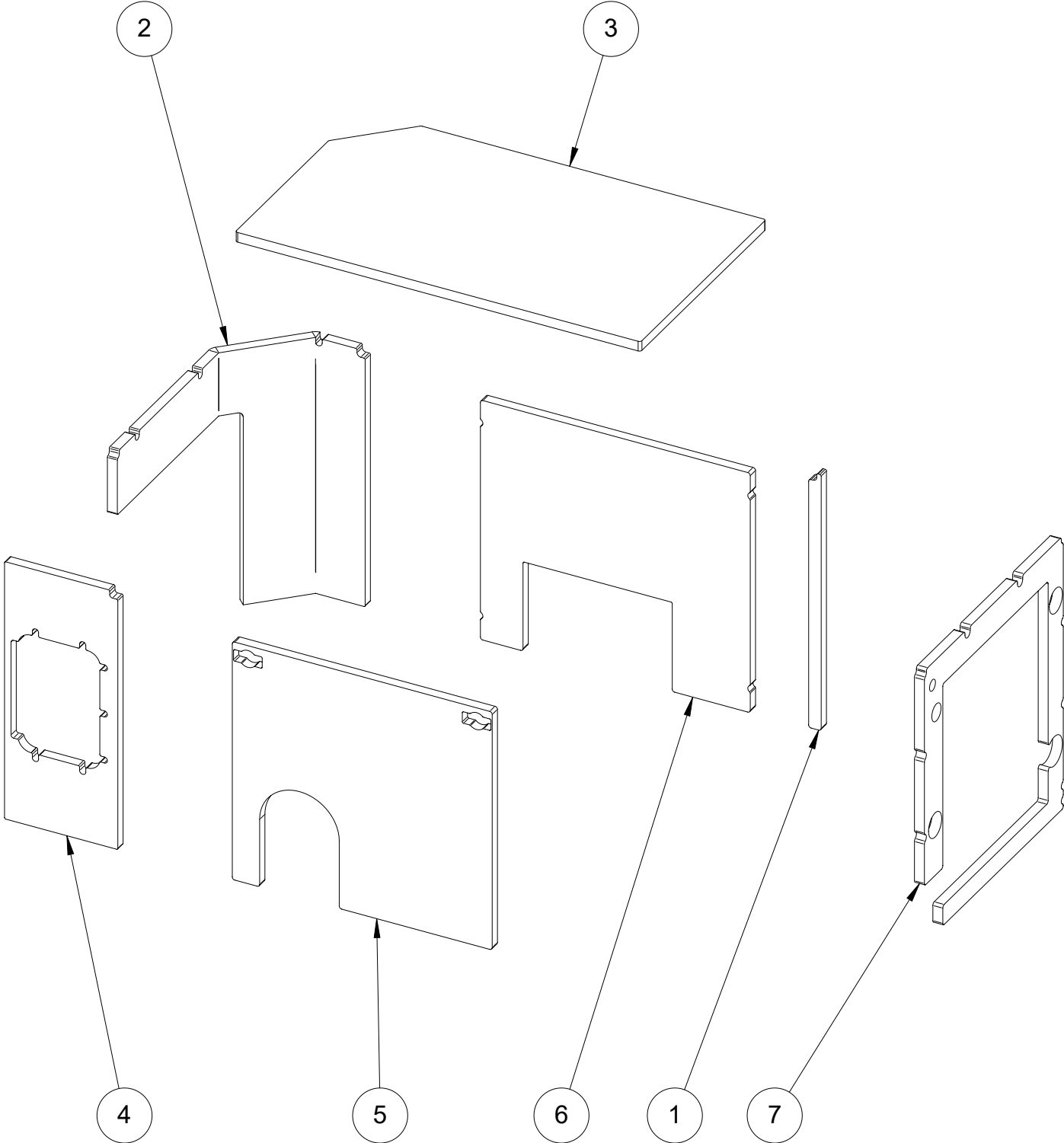




## GROUP 04-02 BOM (SHEETMETAL)

ITEM	PART NUMBER	DESCRIPTION	QTY
1	09ADAPU	DOOR,ACCESS,APU	1
2	09LTC10	LATCH, FLUSH MOUNT	2
3	S-2062	PANEL,FRONT,NO SERVICE SIDE	1
4	S-2063	PANEL,GENERATOR END	1
5	S-2064	PANEL, TOP	1
6	S-2065	PANEL,SERVICE SIDE,REAR	1
7	S-2066	DOOR,DROP IN	1
8	S-2130	PANEL,LEFT SIDE	1
9	S-2342	PANEL,FRONT,SERVICE SIDE,4LEX	1
10	S-3725	RADIATOR GUARD, PTI 25-30SI, T4F	1
11	S-3727	SHROUD, FAN, 4LE2X, 540	1
12	S-3728	PANEL, END, RADIATOR	1

# GROUP 04-03 (SOUND FOAM)



## GROUP 04-03 BOM (SOUND FOAM)

ITEM	PART NUMBER	DESCRIPTION	QTY
1	S-2062-SF	FOAM, SOUND, SIDE, NON-SERVICE, RAD END	1
2	S-2063-SF	FOAM, SOUND, PANEL, END, GENERATOR	1
3	S-2064-SF	FOAM, SOUND, TOP	1
4	S-2065-SF	FOAM, SOUND, SIDE, SERVICE, GEN END	1
5	S-2066-SF	FOAM, SOUND, DOOR, SERVICE, LIFT OUT	1
6	S-2130-SF	FOAM, SOUND, SIDE, NON-SERVICE	1
7	S-3728-SF	FOAM, SOUND, PANEL, RAD	1

# REVISIONS

<b>REVISION</b>	<b>DATE</b>
Initial Release	11/20/2017
A	12/16/2019