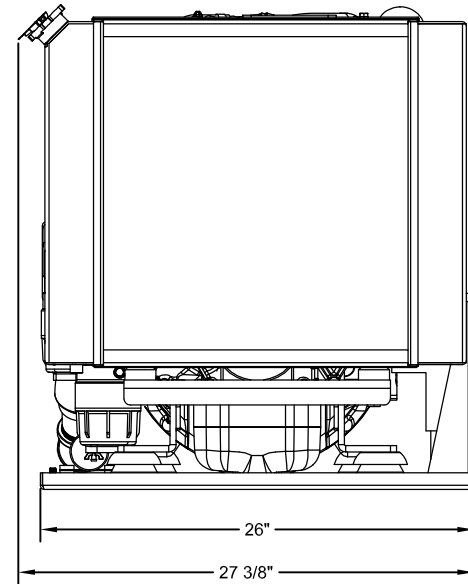
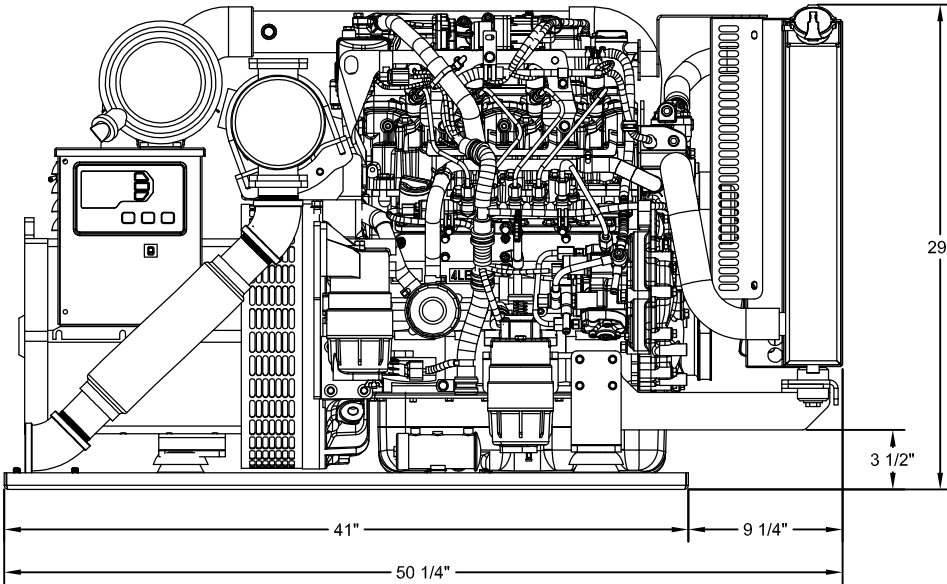


SPECIFICATIONS SUBJECT TO CHANGE WITHOUT NOTICE
 This drawing was current at the time of printing. Production changes and options may result in changes that are not reflected in this drawing.

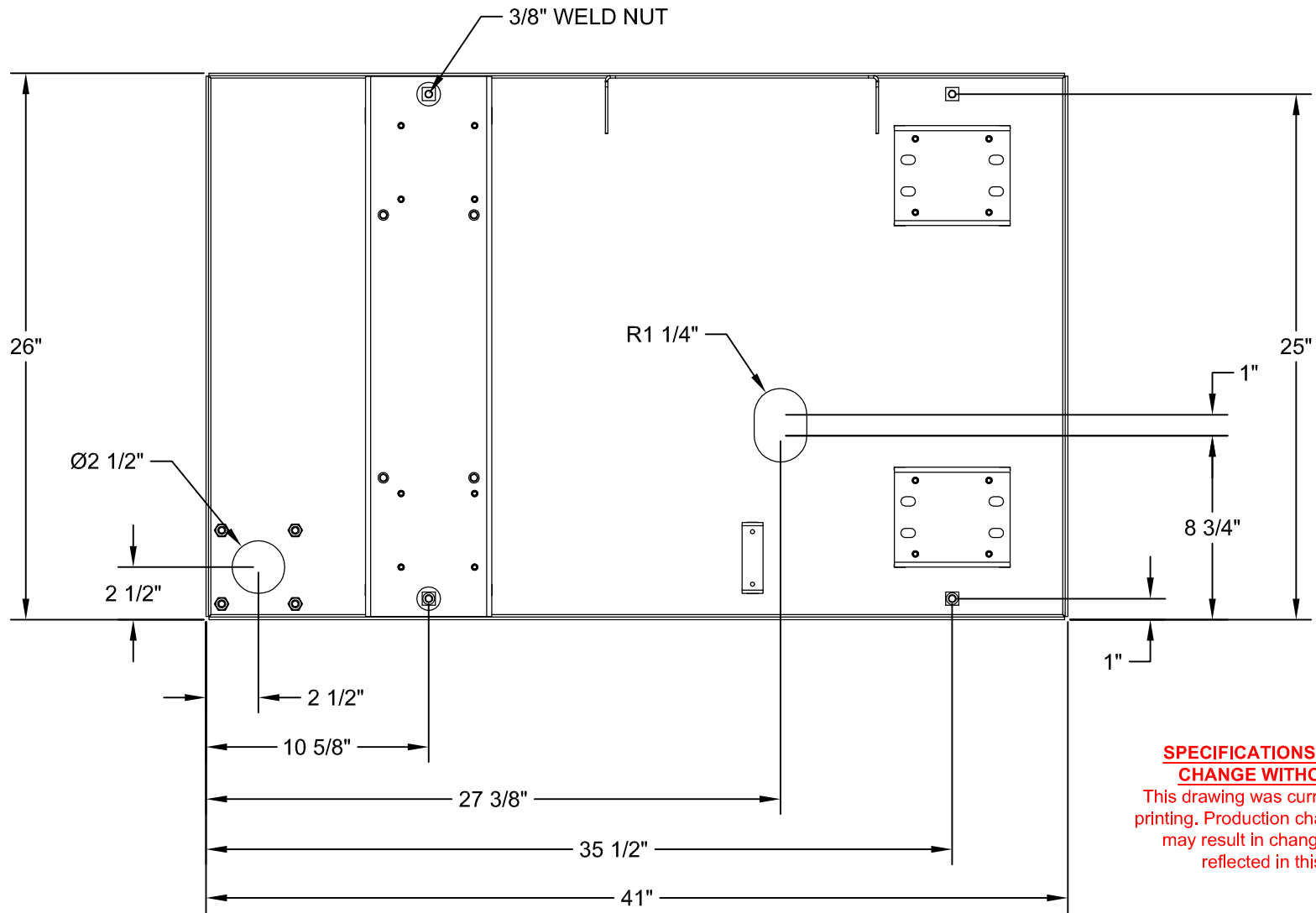


PROPRIETARY AND CONFIDENTIAL
 THE INFORMATION CONTAINED IN THIS DRAWING IS THE SOLE PROPERTY OF POWER TECHNOLOGY. ANY REPRODUCTION IN PART OR AS A WHOLE WITHOUT THE WRITTEN PERMISSION OF POWER TECHNOLOGY IS PROHIBITED.



POWER TECHNOLOGY SOUTHEAST
 634 STATE ROAD 44
 LEESBURG, FLORIDA 34748-8102
 (352) 365-2777 FAX (352) 787-5545

PROJECT: SALES DRAWING				MODEL:				
FINISH:				PT PART #				
MATERIAL:				DESCRIPTION: 15/20KW TIER 4 FINAL OPEN UNIT				
THICKNESS:						SIZE	DWG. NO.	REV
DIMENSIONS ARE IN INCHES UNLESS OTHERWISE SPECIFIED						A	PTI-15/20-T4F	
DO NOT SCALE DRAWING		DRAWN	NDM	08/20/2015	NOT TO SCALE	WEIGHT: 927 LBS	SHEET 1 OF 2	



PROPRIETARY AND CONFIDENTIAL
 THE INFORMATION CONTAINED IN THIS DRAWING IS THE SOLE PROPERTY OF POWER TECHNOLOGY. ANY REPRODUCTION IN PART OR AS A WHOLE WITHOUT THE WRITTEN PERMISSION OF POWER TECHNOLOGY IS PROHIBITED.



POWER TECHNOLOGY SOUTHEAST
 634 STATE ROAD 44
 LEESBURG, FLORIDA 34748-8102
 (352) 365-2777 FAX (352) 787-5545

PROJECT: SALES DRAWING				MODEL:			
FINISH:				PT PART #			
MATERIAL:				DESCRIPTION: 15/20KW TIER 4 FINAL OPEN UNIT			
THICKNESS:				SIZE A	DWG. NO. PTI-15/20-T4F	REV	
DIMENSIONS ARE IN INCHES UNLESS OTHERWISE SPECIFIED						NAME	DATE
DO NOT SCALE DRAWING		DRAWN	NDM	08/20/2015	NOT TO SCALE	WEIGHT: 927 LBS	SHEET 2 OF 2