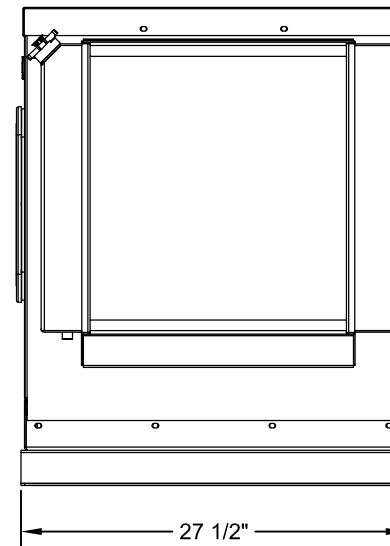
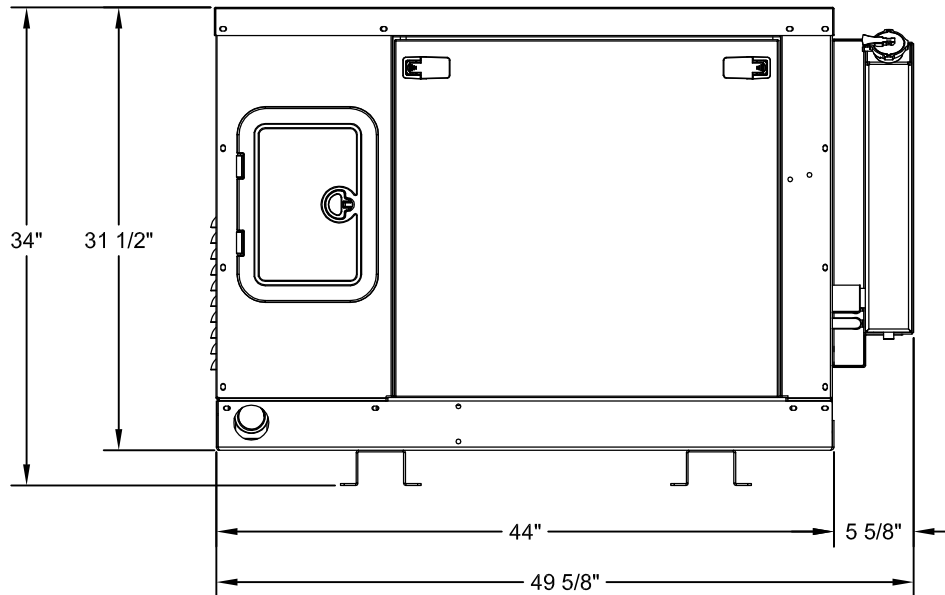


SPECIFICATIONS SUBJECT TO CHANGE WITHOUT NOTICE
 This drawing was current at the time of printing. Production changes and options may result in changes that are not reflected in this drawing.



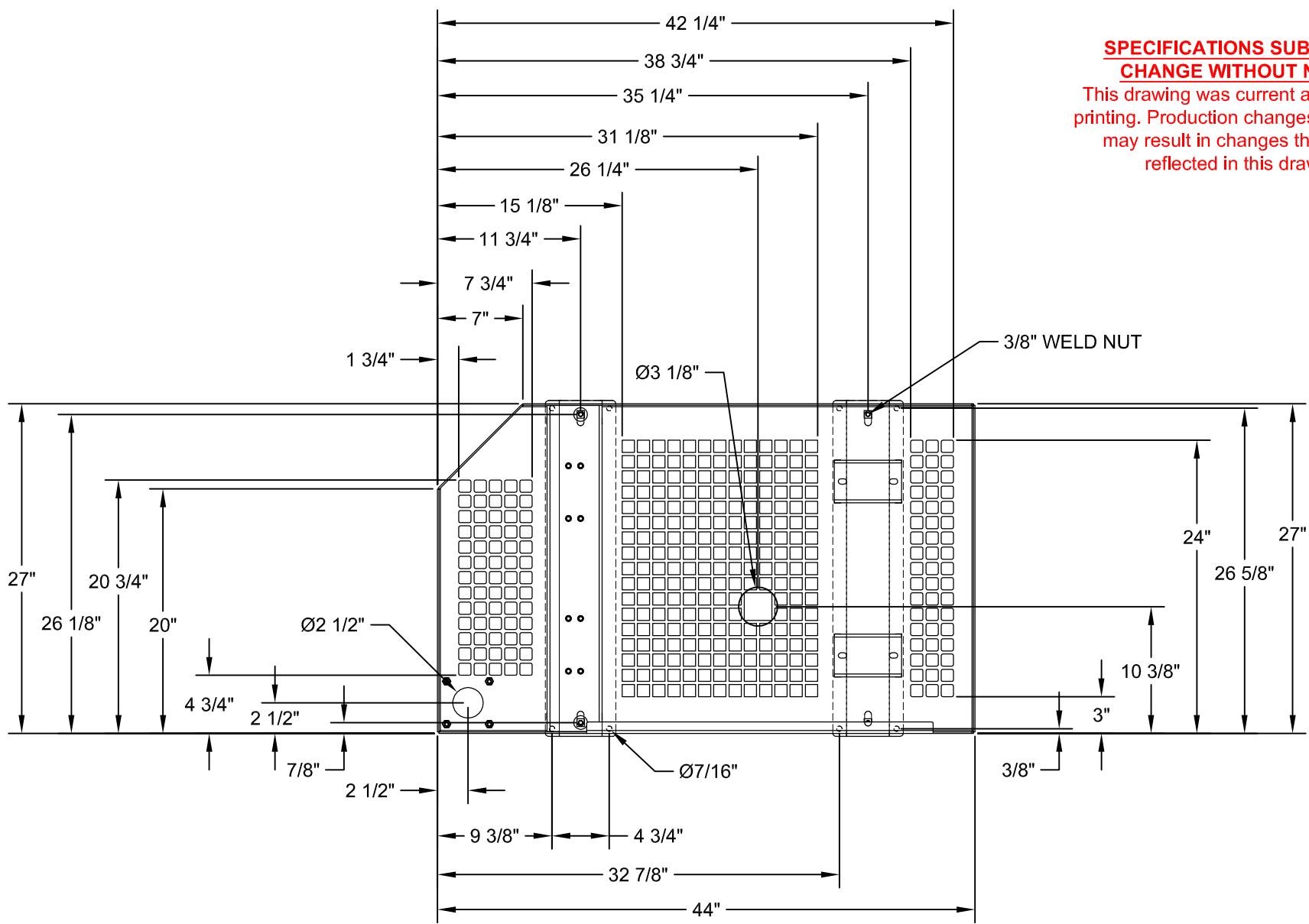
PROPRIETARY AND CONFIDENTIAL
 THE INFORMATION CONTAINED IN THIS DRAWING IS THE SOLE PROPERTY OF POWER TECHNOLOGY. ANY REPRODUCTION IN PART OR AS A WHOLE WITHOUT THE WRITTEN PERMISSION OF POWER TECHNOLOGY IS PROHIBITED.



POWER TECHNOLOGY SOUTHEAST
 634 STATE ROAD 44
 LEESBURG, FLORIDA 34748-8102
 (352) 365-2777 FAX (352) 787-5545

PROJECT: SALES DRAWING				MODEL: 3 PHASE					
FINISH:				PT PART #					
MATERIAL:				DESCRIPTION: 15/20KW TIER 4 FINAL UNIT W/ SOUND INSULATED ENCLOSURE					
THICKNESS:				SIZE A		DWG. NO.		REV	
DIMENSIONS ARE IN INCHES UNLESS OTHERWISE SPECIFIED				NAME		DATE		PTI-15/20Si-T4F-3	
DO NOT SCALE DRAWING		DRAWN		NDM		09/20/2016		NOT TO SCALE WEIGHT: . . . SHEET 1 OF 2	

SPECIFICATIONS SUBJECT TO CHANGE WITHOUT NOTICE
 This drawing was current at the time of printing. Production changes and options may result in changes that are not reflected in this drawing.



PROPRIETARY AND CONFIDENTIAL
 THE INFORMATION CONTAINED IN THIS DRAWING IS THE SOLE PROPERTY OF POWER TECHNOLOGY. ANY REPRODUCTION IN PART OR AS A WHOLE WITHOUT THE WRITTEN PERMISSION OF POWER TECHNOLOGY IS PROHIBITED.



PROJECT: SALES DRAWING				MODEL: 3 PHASE					
FINISH:				PT PART #					
MATERIAL:				DESCRIPTION: 15/20KW TIER 4 FINAL UNIT W/ SOUND INSULATED ENCLOSURE					
THICKNESS:				SIZE A		DWG. NO.		REV	
DIMENSIONS ARE IN INCHES UNLESS OTHERWISE SPECIFIED				NAME		DATE		PTI-15/20Si-T4F-3	
DO NOT SCALE DRAWING				DRAWN		NDM		09/20/2016	
NOT TO SCALE				WEIGHT: . . .		SHEET 2 OF 2			